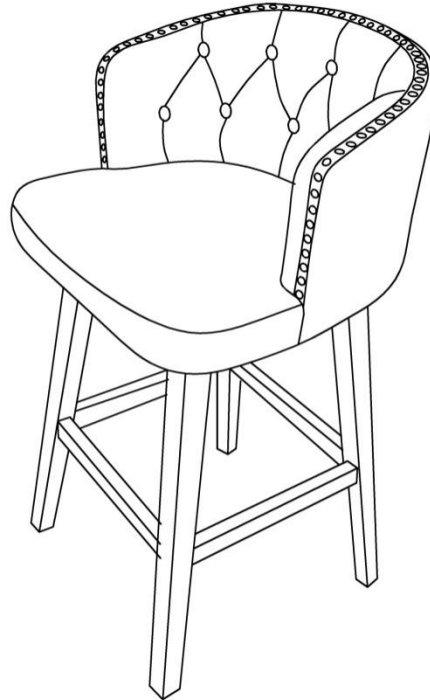


**HOME
DECORATORS
COLLECTION**

Model #: 4113 Swivel stool

**Item # : 1004248943, 1004248942
1004248940, 1004248941**

**USE AND CARE GUIDE
4113 Swivel stool**



**Questions, problems, missing parts?
Before returning to the store, Customer Service.
8 a.m. – 7 p.m., EST, Monday – Friday, 9 a.m. – 6 p.m.,
EST, Saturday**

**1-800-998-7021
HOMEDPOT.COM/HOMEDECORATORS**

THANK YOU

We appreciate the trust and confidence you have placed in Home Decorators Collection through the purchase of this product. We strive to continually create quality products designed to enhance your home. Visit us online to see our full line of products available for your home improvement needs. Thank you for choosing Home Decorators Collection!

Safety Information

1. Make sure to assemble the product with two or more adults.
2. Suggest read the AI carefully before assembling and follow the steps and details.
3. Keep small parts away from the children during assembly.



WARNING: Keep the product on level surface, the product may become unstable and tip if stored or moved on an unlevel surface, which may cause personal injury or product damage.

Warranty

3 YEAR WARRANTY

WHAT IS COVERED

Product defects, the defects include circumstances where the frame has broken under normal use and no longer performance its function.

WHAT IS NOT COVERED

This warranty does not cover commercial use, acts of nature, and abusive use.

Pre-Assembly

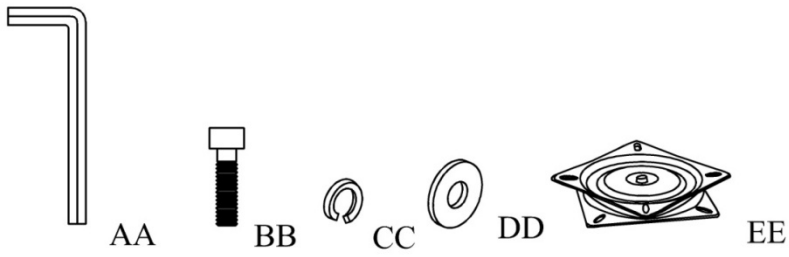
PLANNING ASSEMBLY

Keep the children and pets away from build area, pay attention to the labels on the parts and don't throw away, otherwise, maybe it will be difficult for you to assemble the product.

HARDWARE INCLUDED



Notes: AA, BB, CC,DD and are in the red hardware bag



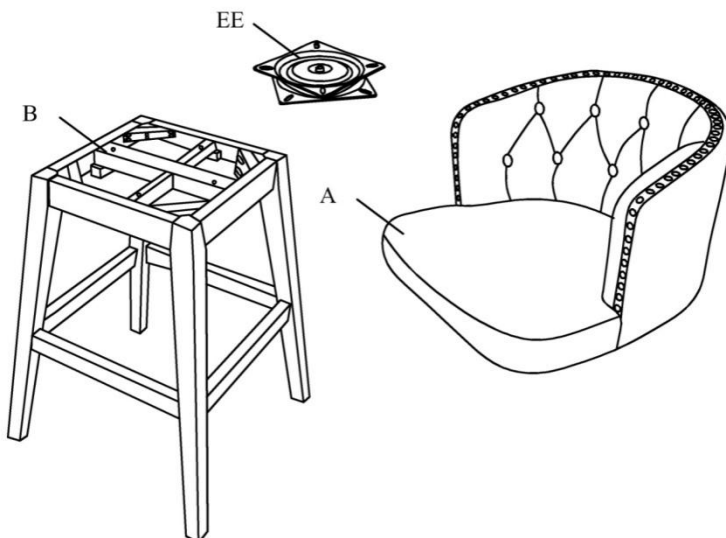
Part	Description	Quantity
AA	Wrench Ø6*65	1
BB	Bolt 6*30	8
CC	Spring washer	8
DD	Flat washer	8
EE	Turnplate	1

Pre-Assembly (cont.)

PACKAGE CONTENTS



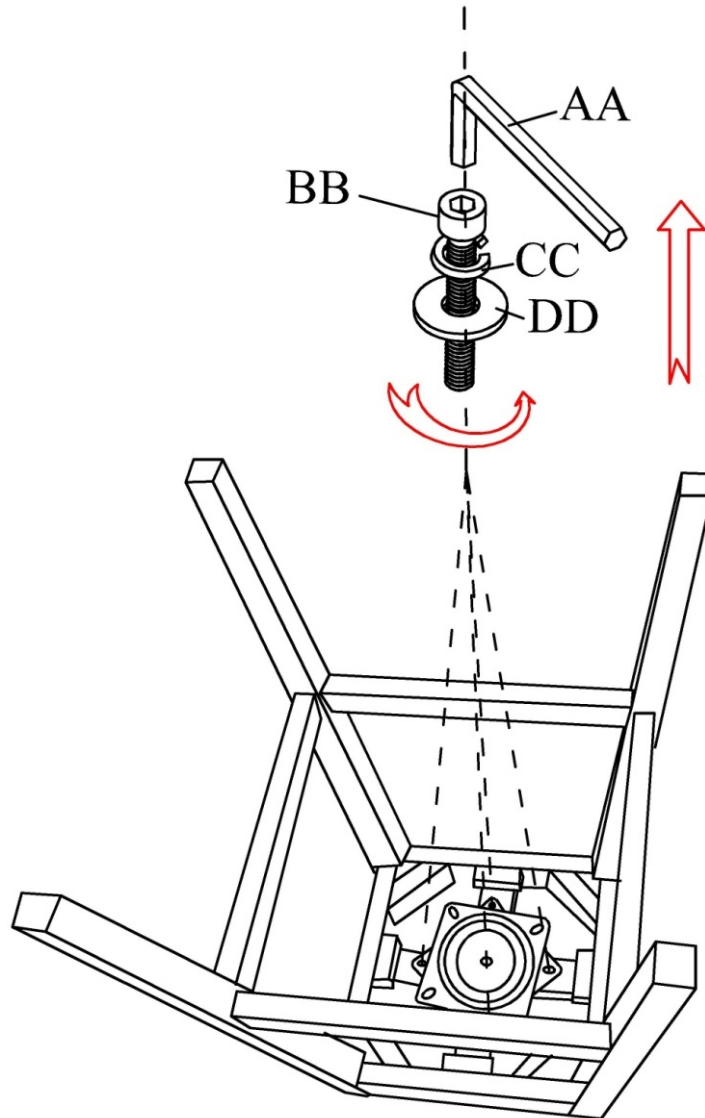
Notes: EE is assembled under the bottom of the base (B)



Part	THD Table Header, 10 pt.	Quantity
A	Top	1
B	Base	1
EE	Swivel	1

Assembly

Step 1: Knock down the swivel (EE) from the bottom of the base (B)



Assembly

Step 2: Assemble the Swivel (EE)

- Assemble the swivel as the below photo shows

