

Item # 100-266-7687;# 100-150-1159;# 100-150-1168;#1001-869-016;#1001-869-015;  
#1001-880-278; #1001-880-279; #1001-880-280; #1001-880-296; #1001-880-297;  
#1001-880-298; #1001-880-299;  
Model # 2.1.1088



## USE AND CARE GUIDE

---

### ADIRONDACK CHAIR



Questions, problem, missing parts? Before returning to the store,  
call Hampton Bay Customer Service  
8 a.m. - 7 p.m., EST, Monday - Friday, 9 a.m. - 6 p.m., EST, Saturday

**1-855-HD-HAMPTON**

**HAMPTONBAY.COM**

## Table of Contents

---

Table of Contents.....	2
Safety Information.....	2
Warranty.....	2
Pre-Assembly.....	3
Tools Required.....	3
Hardware Included.....	3
Package Contents.....	4
Assembly .....	5-10

## Safety Information

---

- Examine all packing material before assembling; shortages may occur from parts left in the packing material.
- Please follow the instructions on the following pages.

## Warranty

---

### WHAT IS COVERED

All merchandise is warranted to be free from defects in workmanship and material for one year from the date of purchase. This includes normal wear and performance failure on items. The manufacturer will replace or repair at their option.

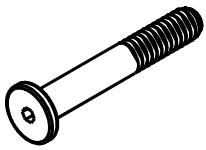
Contact the Customer Service Team at 1-855-HD-HAMPTON or visit [HAMPTONBAY.COM](http://HAMPTONBAY.COM).

## TOOLS REQUIRED

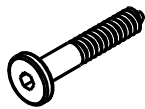


PHILLIPS  
SCREW DRIVER

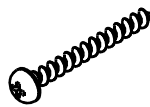
## HARDWARE INCLUDED



— AA



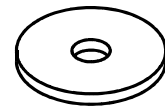
— BB



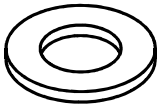
— CC



— DD



— EE



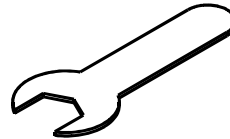
— FF



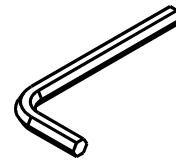
— GG



— HH



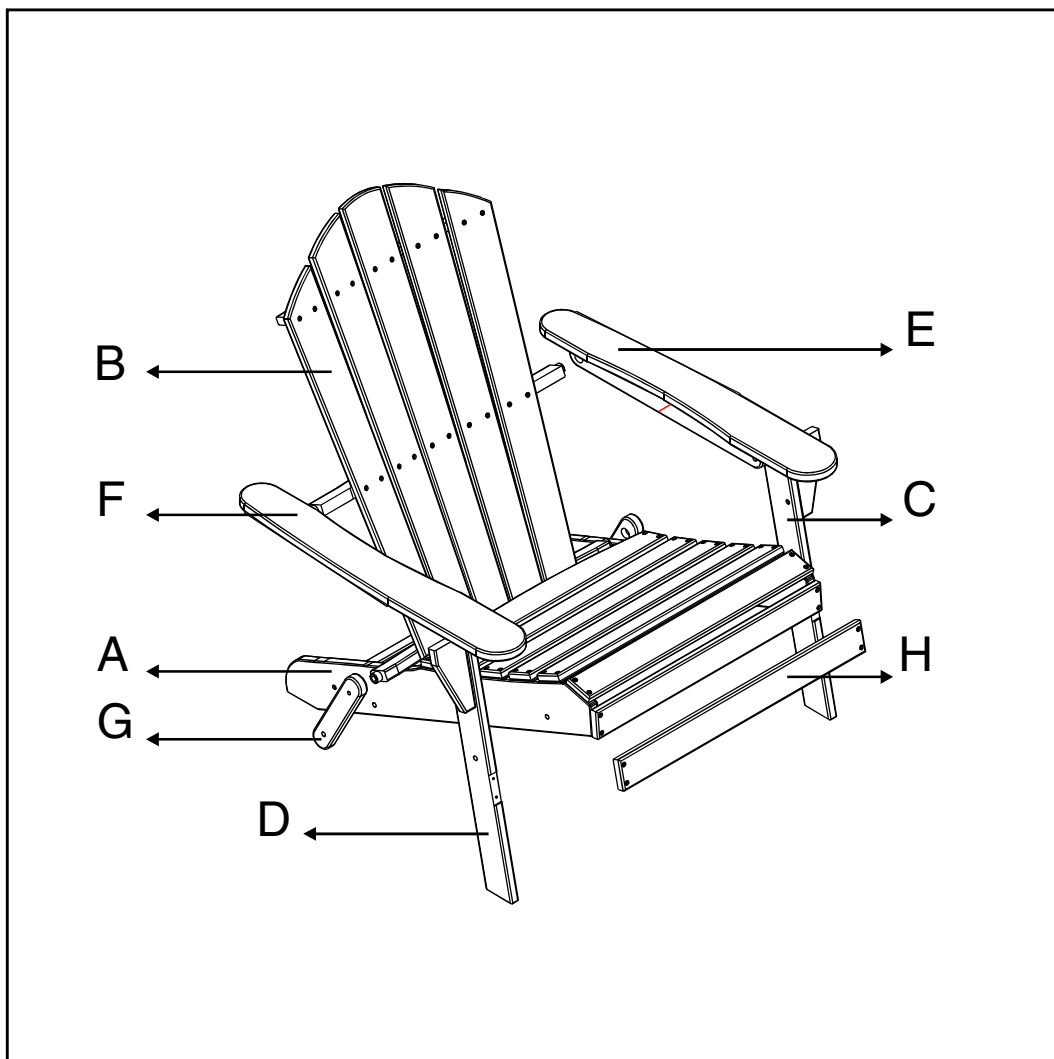
— II



— JJ

Part	Description	Quantity
AA	BOLT Ø15/5/16"x50 MM	6+1
BB	BOLT Ø12,7/1/4"x35 MM	4+1
CC	SCREW Ø8 x 1 1/2"	4+1
DD	LOCK NUT Ø13/5/16"x8 MM	6+1
EE	PLASTIC WASHER Ø35/Ø9 x 3 MM	4+1
FF	PLASTIC WASHER Ø35/Ø19 x 3 MM	4+1
GG	PLASTIC WASHER Ø25/Ø9 x 3 MM	2+1
HH	WASHER Ø18/Ø8 x 1 MM	16+1
II	Y WRENCH	1
JJ	ALLEN KEY	1

**PACKAGE CONTENTS**

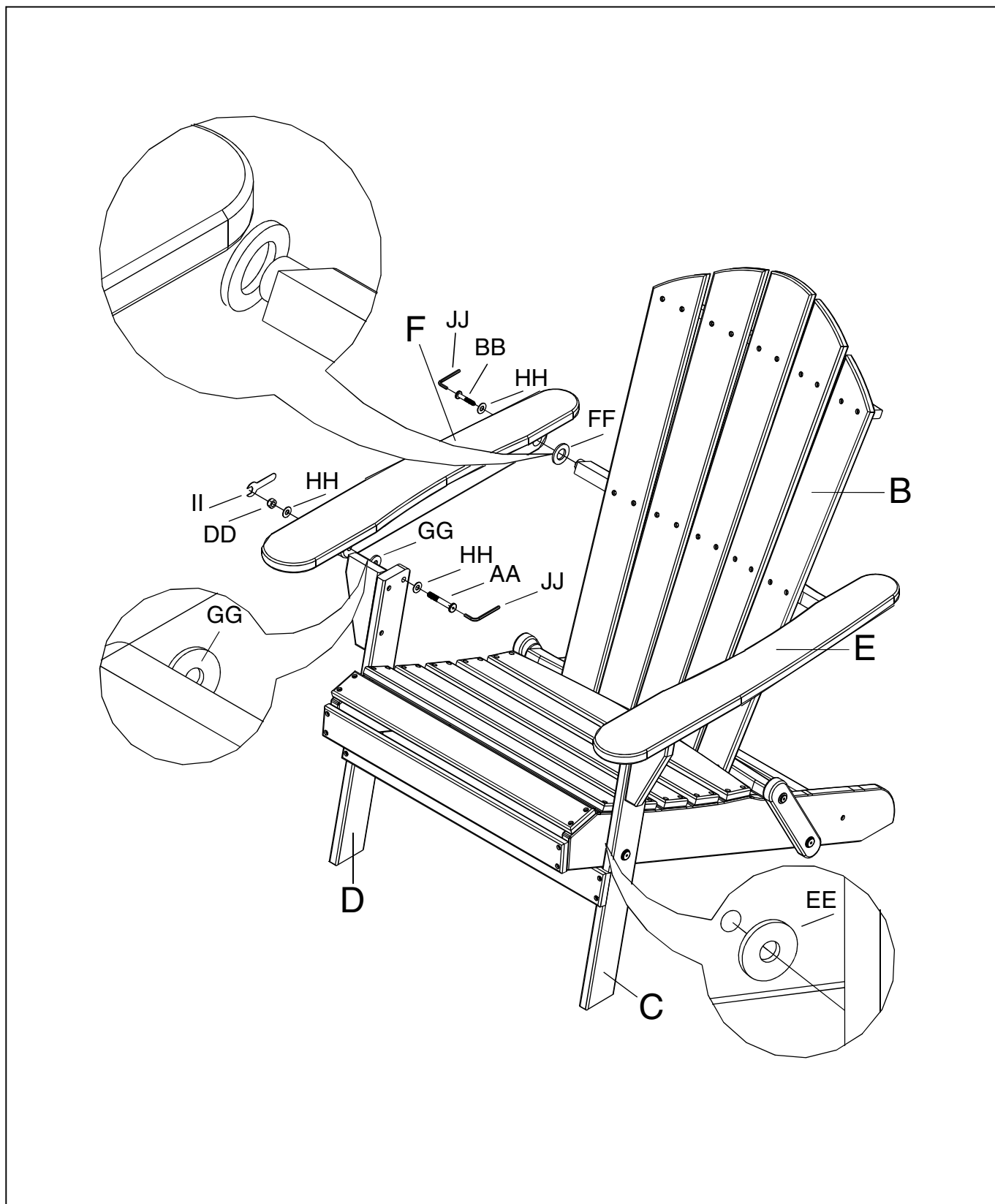


Part	Description	Quantity
A	SEAT	1
B	BACK SUPPORT	1
C	RIGHT LEG	1
D	LEFT LEG	1
E	RIGHT ARM	1
F	LEFT ARM	1
G	WOOD HINGE	2
H	WOOD SLAT	1

## Warning

### Attaching plastic washer to each wood join

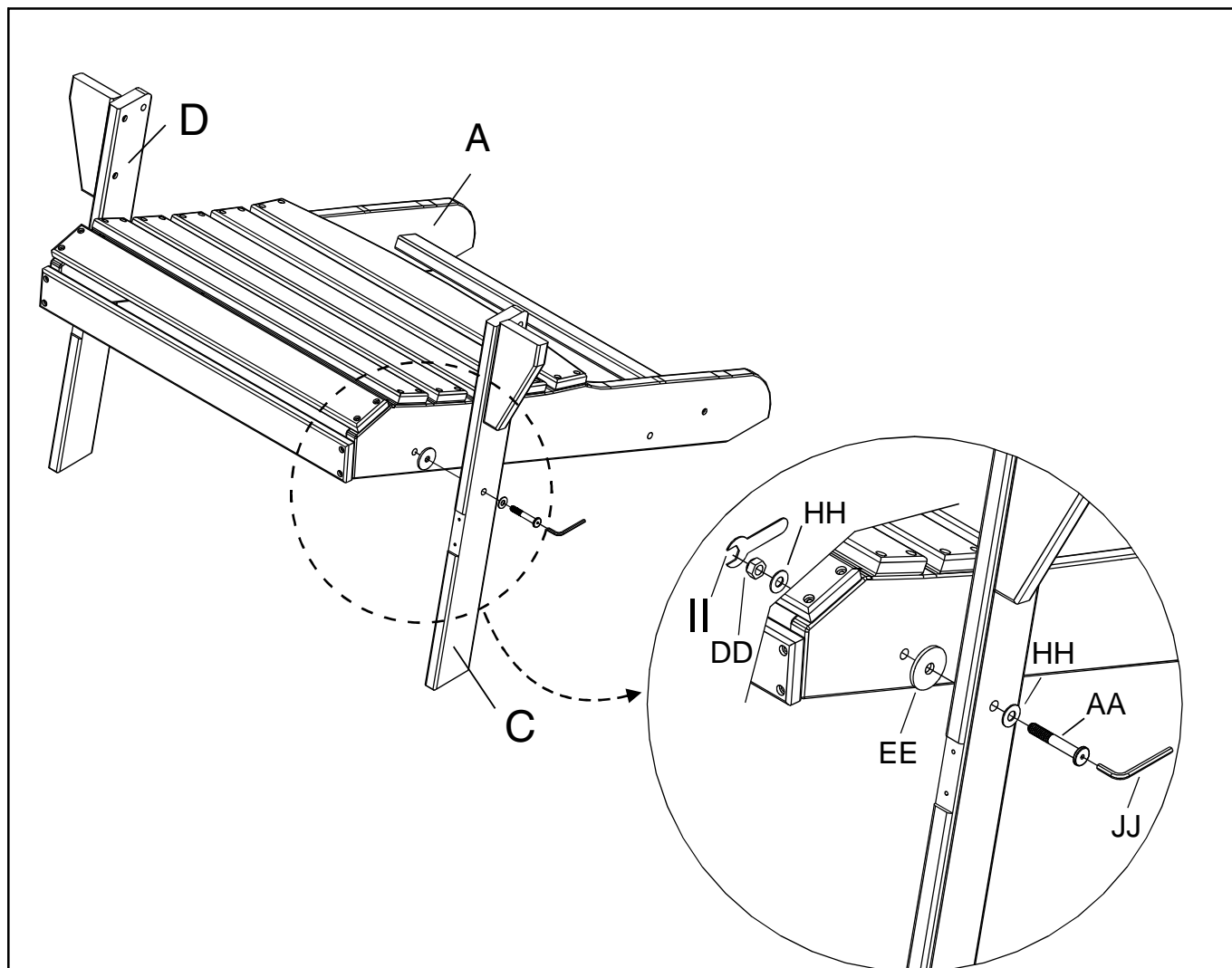
- Ensure you attach the plastic washers in each wood join part of the chair.  
Failure to attach these plastic washers will cause the chair to not fold properly and damage to the chair.

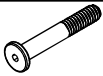




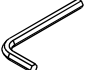


# Assembly

## 1 Attaching the right and left leg

- Attach the right leg (C) and left leg (D) to the seat (A) using bolts (AA), washers (HH), washers (EE), and nuts (DD). Tighten the bolts using the Allen key (JJ) and wrench (II). Use the wrench (II) to hold the nuts (DD) in place while you tighten with the key (JJ).

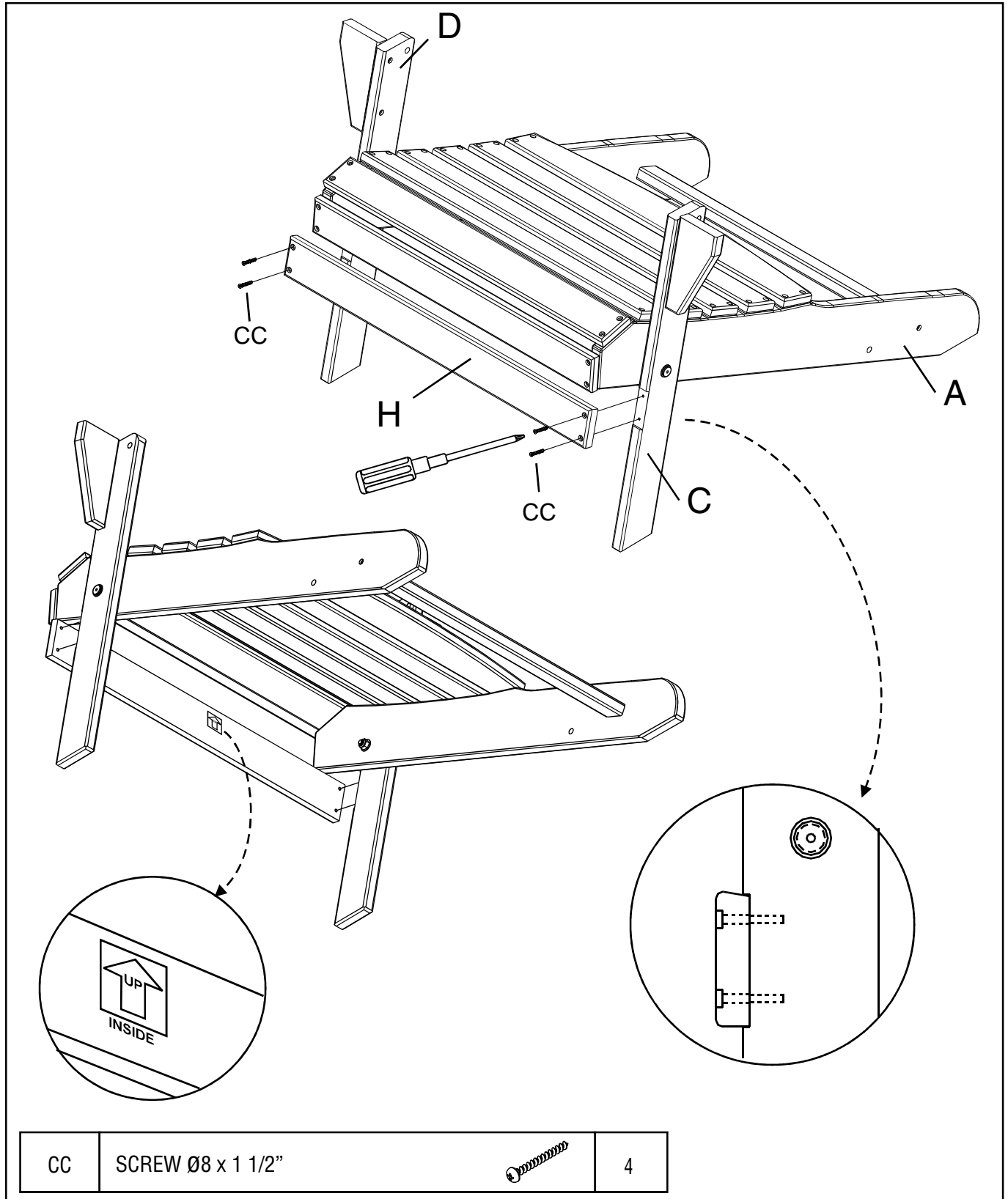


Part	Description		Quantity
AA	BOLT Ø15/5/16"x50 MM		2
DD	LOCK NUT Ø13/5/16"x8 MM		2
EE	PLASTIC WASHER Ø35/Ø9 x 3 MM		2
HH	WASHER Ø18/Ø8 x 1 MM		4
II	Y WRENCH		1
JJ	ALLEN KEY		1

## Assembly ( continued )

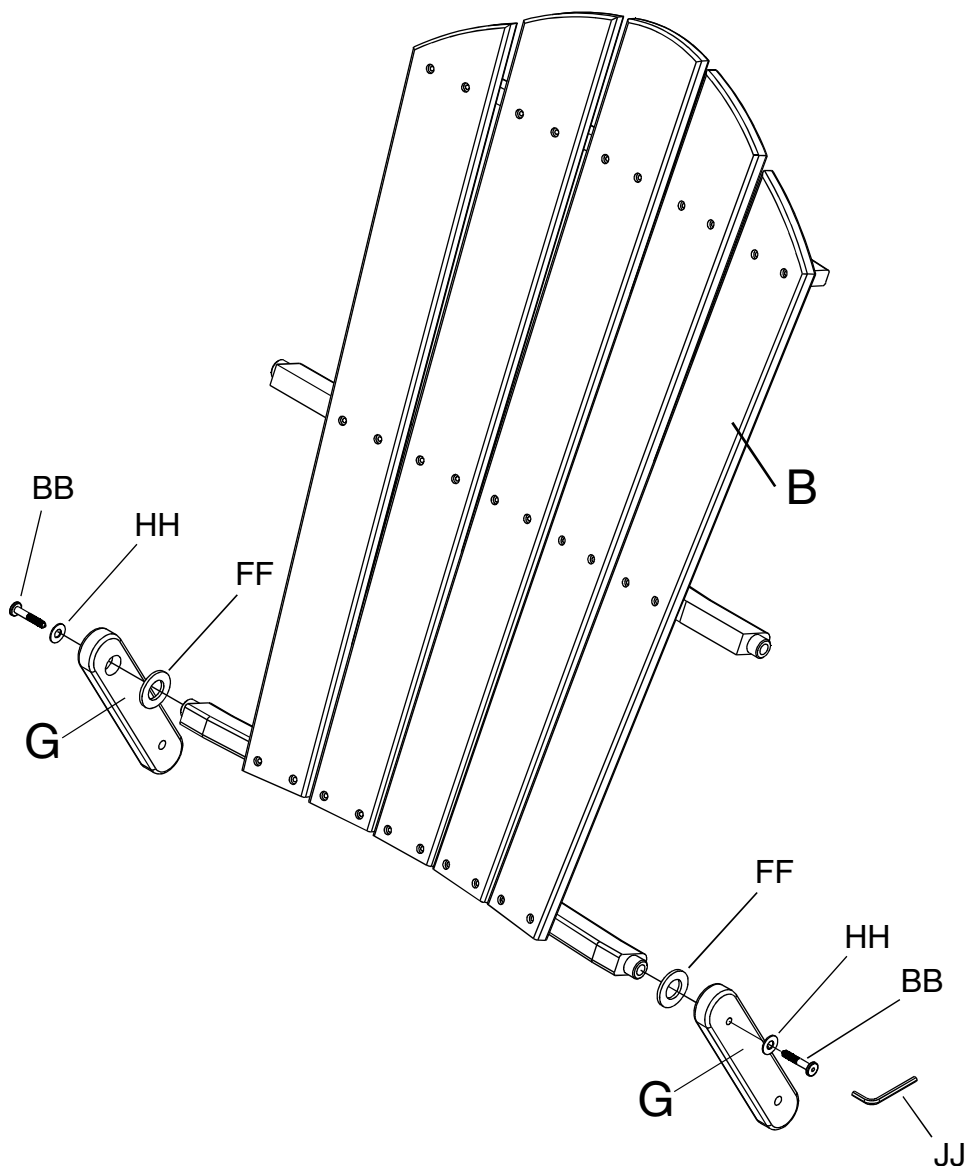
### 2 Attaching the wood slat





- Attach the wood slat (H) to the legs (C and D) using screws (CC).  
Tighten with a Phillips screwdriver.



## 3 Attaching the chair back

- Attach the bottom brace of the chair back (B) to the hinges (G) using bolts (BB), washers (HH), and washers (FF). Tighten the bolts (BB) with the Allen key (JJ).



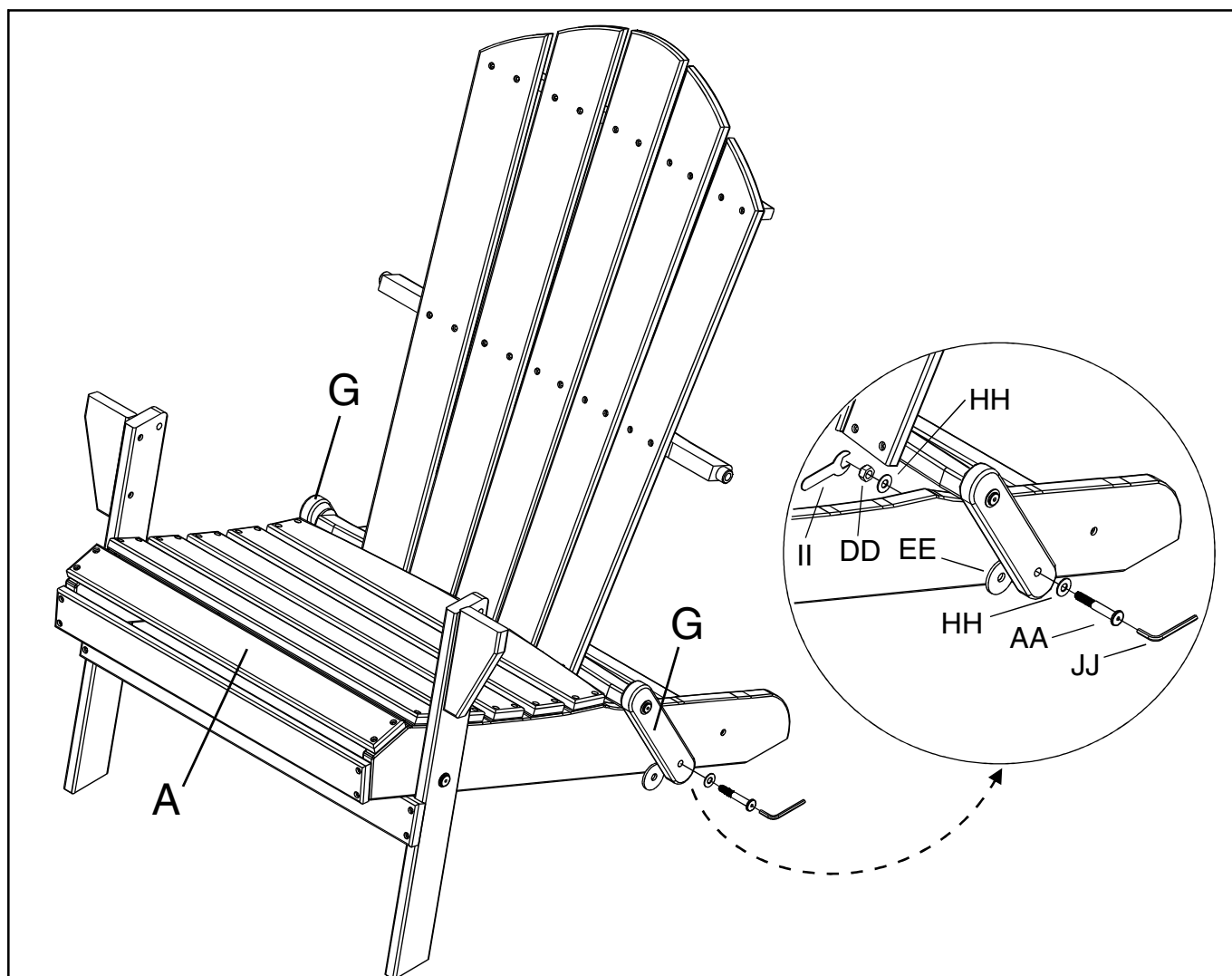
Part	Description		Quantity
BB	BOLT Ø12,7/1/4"x35 MM		2
FF	PLASTIC WASHER Ø35/Ø19 x 3 MM		2
HH	WASHER Ø18/Ø8 x 1 MM		2
JJ	ALLEN KEY		1

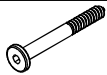







## Assembly ( continued )

### 4 Attaching the hinges to the seat

- Attach the hinges (G) to each side of the seat (A) using bolts (AA), washers (HH), washers (EE), washers (HH), and nuts (DD) as shown. Tighten the bolts using the Allen key (JJ) and wrench (II). Use the wrench (II) to hold the nuts (DD) in place while you tighten with the key (JJ).

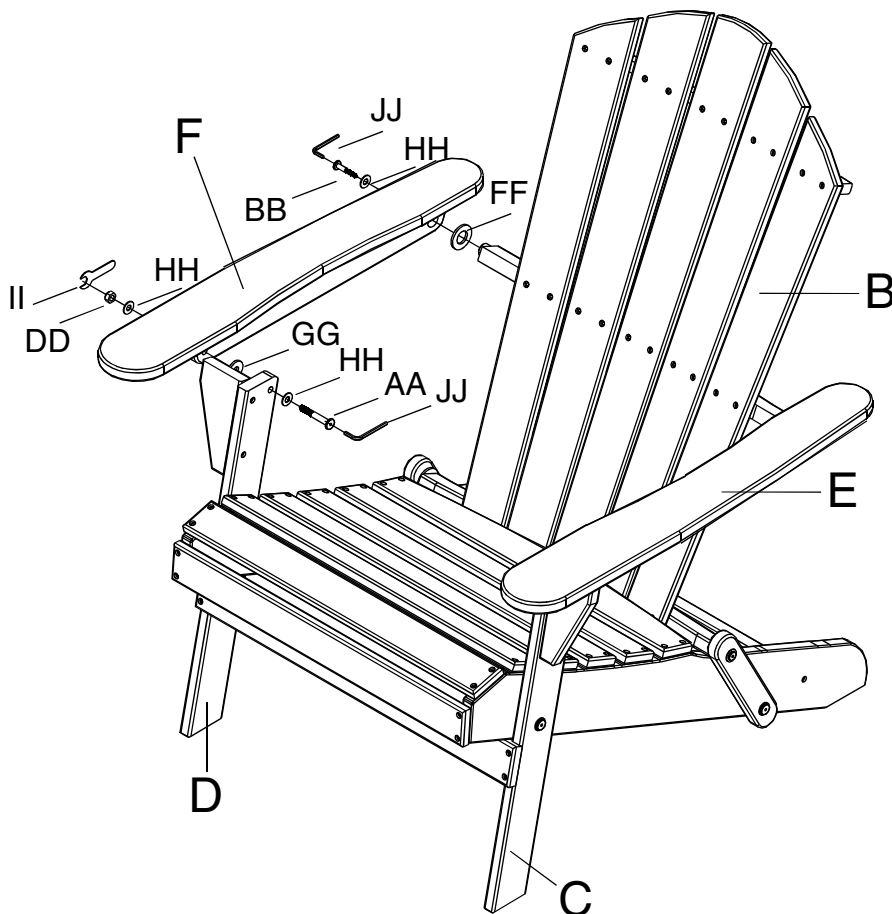


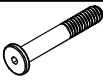
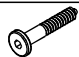





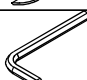
Part	Description		Quantity
AA	BOLT Ø15/5/16"x50 MM		2
DD	LOCK NUT Ø13/5/16"x8 MM		2
EE	PLASTIC WASHER Ø35/Ø9 x 3 MM		2
HH	WASHER Ø18/Ø8 x 1 MM		4
II	Y WRENCH		1
JJ	ALLEN KEY		1

## Assembly ( continued )

### 5 Attaching the left and right arm

- Attach the front of the left arm (F) to the top of the left leg (D) using a bolt (AA), washer (HH), washer (GG), washer (HH), and nut (DD). Tighten the bolt (AA) using the Allen key (JJ) and wrench (II). Use the wrench (II) to hold the nut (DD) in place while you tighten with the key (JJ). Attach the back of the left arm (F) to the middle brace of the chair back (B) using a bolt (BB), washer (HH), and washer (FF). Tighten the bolt (BB) using the Allen key (JJ). Repeat these steps for the right arm (E).



Part	Description		Quantity
AA	BOLT Ø15/5/16"x50 MM		2
BB	BOLT Ø12,7/1/4"x35 MM		2
DD	LOCK NUT Ø13/5/16"x8 MM		2
FF	PLASTIC WASHER Ø35/Ø19 x 3 MM		2
GG	PLASTIC WASHER Ø25/Ø9 x 3 MM		2
HH	WASHER Ø18/Ø8 x 1 MM		6
II	Y WRENCH		1
JJ	ALLEN KEY		1