

# RADIANT SHELF

## INSTALLATION INSTRUCTIONS



- \* Please read the Safety Measures before installing your RADIANT Heated Towel Rack.
- \* All installations should be in accordance with National and Local electrical codes.
- \* The Heated Towel Rail should be installed on a GFCI protected circuit and wired by a certified electrician.
- \* The unit requires a 120 volt, 60Hz power source
- \* Power plug should be connected to grounded outlet with a minimum rating of 10 amps.

### SAFETY MEASURES

- Do not install and connect before reading the installation and operating instructions.
- If you experience any quality problems, DO NOT disassemble but return the unit to the distributor.
- Ensure your hands are dry when unplugging the power cord.
- Unit is intended for indoor use only. Do not place units inside a shower, sauna, steam room, or wherever unit would be exposed to water.
- Ensure that unit is securely fixed to the wall. Under no circumstances should anybody climb or hang on unit.
- Make sure that the electrical circuit breaker is shut off at the main panel before wiring or servicing your unit.
- Never use an extension cord for the Plug-in model.

As this is a heating device, the surface temperature can increase depending on the ambient temperature in the room and the number of towels applied to the unit. Overloading the unit will cause the unit to become extremely hot and may result in a burn if touched and/or damage to towels.

For a guide to loading towels refer to our website: [ambaproduct.com/towels](http://ambaproduct.com/towels)

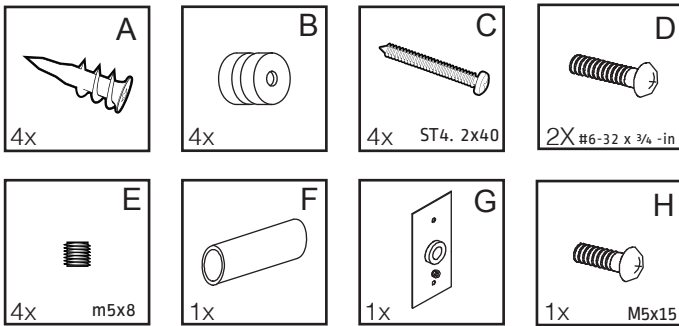
### OPERATING INSTRUCTION

- After installation, connect the electric power. Remove the protective cover from the switch and turn it to the on position. The indicator light will glow red and the towel warmer will start to heat.
- This towel warmer has been designed to run continuously. Turn off the switch or unplug the cord when the towel warmer is not in use for long periods of time.

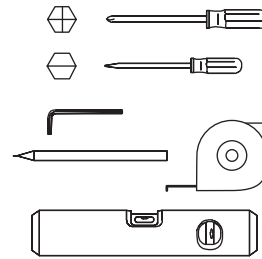
### CLEANING INFORMATION

- Clean the unit with a soft, non-abrasive, damp cloth while warm. Once the towel warmer has cooled, lightly polish with a soft dry cloth.
- Do not use abrasive cleaning powders, metal polish or chlorine based cleaners on any part of the towel warmer.

### INCLUDED COMPONENTS

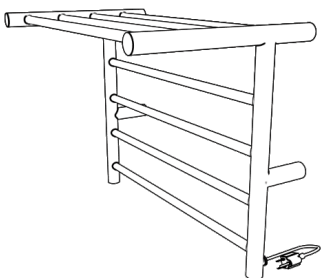


### TOOLS REQUIRED



### WARRANTY

Two year limited warranty with proof of purchase will apply if all Terms and Conditions of Sale are met and Installation Instructions are adhered to.



### PLUG-IN INSTALLATION

Requires Grounded Outlet

Follow Steps:  
**1,3,4**  
No Wire Connection  
or plate required

Plug-In units include  
Cord with grounded plug

AVAILABLE MODELS  
**RSH-P RSH-B**  
B-Brushed P-Polished

### CONTACT

Email: [info@ambaproducts.com](mailto:info@ambaproducts.com)  
Tel: 404-3509738  
Fax: 404-3550166  
[www.ambaproducts.com](http://www.ambaproducts.com)

## BEFORE STARTING ASSEMBLY MAKE SURE ALL COMPONENTS LISTED ARE IN THE PACKAGE

