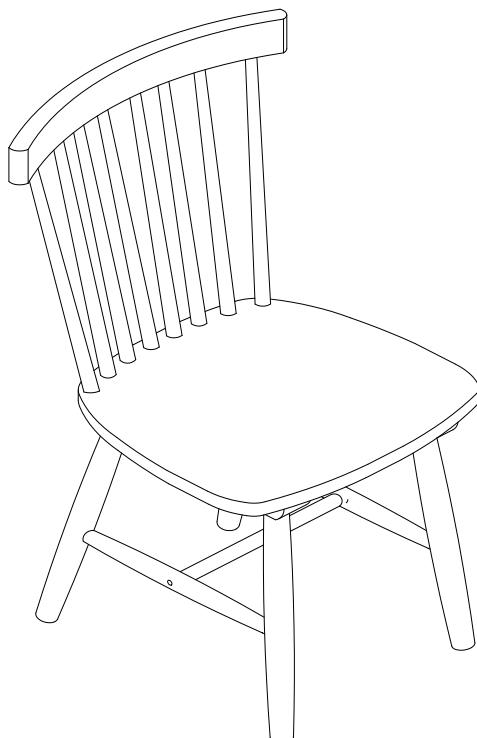


## USE AND CARE GUIDE

---

### Windsor Back Chair (Set of 2)



Questions, problems, missing parts?  
Before returning to the store, call Customer Service.  
8 a.m. – 7 p.m., EST, Monday – Friday, 9 a.m. – 6 p.m., EST, Saturday

**1-877-527-0313**

**HOMEDEPOT.COM**

---

#### **THANK YOU**

*We appreciate the trust and confidence you have placed in StyleWell through the purchase of this Windsor Back Chair. We strive to continually create quality products designed to enhance your home. Visit us online to see our full line of products available for your home improvement needs. Thank you for choosing StyleWell!*

# Table of Contents

Table of Contents.....	2	Tools Required.....	3
Safety Information.....	2	Hardware Included.....	3
Warranty.....	2	Pre-assembly (continued).....	4
3 Year Warranty.....	2	Package Contents.....	4
What is Covered.....	2	Assembly.....	5
What is Not Covered.....	2	Maintenance.....	6
Pre-assembly.....	3	Care and Cleaning.....	6
Planning Assembly.....	3		

# Safety Information



## DANGER

- Keep small parts away from children during assembly.
- Read and follow instructions carefully.



## WARNING

- Read these instructions carefully and keep in a safe place.
- TO GUARANTEE THE SAFE USE OF THIS PRODUCT, FOLLOW THE WARNINGS, GUIDELINES AND RECOMMENDATIONS IN THIS MANUAL.
- Adult assembly required.
- Small parts may present choking hazard prior to assembly.
- Do not stand, step or climb on unit.



## CAUTION

- Do not use power tools to assemble your furniture. Power tools may strip or damage parts/product.
- Do not overtighten connectors (screws, bolts, etc.). Overtightening can lead to product damage.
- Be sure to check all packing materials carefully for small parts that may have come loose inside the carton during shipment. If parts are missing, contact THE HOME DEPOT to obtain any missing parts.
- DO NOT USE SUBSTITUTE PARTS.
- This product should only be used on a flat, level surface.
- Product is designed to hold 280lbs. Exceeding this limit may damage the product or cause injury to the user.

# Warranty

## 1 YEAR WARRANTY

### WHAT IS COVERED

We guarantee this product to be free of manufacturing defects to the original purchaser for three years.

### WHAT IS NOT COVERED

This warranty does not cover commercial use, acts of nature, and abusive use.

# Pre-assembly

## PLANNING ASSEMBLY

This product has been designed for easy assembly and constructed for durability. All parts were checked prior to packaging to ensure quality. Prior to beginning assembly, however, make sure all parts and hardware are included and free of obvious defects. If a part is missing or defective, please contact the store where purchased.

## TOOLS REQUIRED



Safety goggles



Level

## HARDWARE INCLUDED



NOTE: Hardware not shown to actual size.



—AA



—BB



—CC



—DD



—EE



—FF



—GG



—HH



—II



—JJ

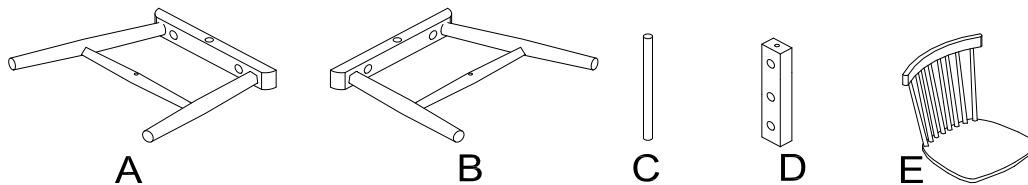


—KK

Part	Description	Quantity
AA	Long Bolt	2
BB	Spring Washer	7
CC	Flat Washer	7
DD	Allen Wrench	1
EE	Short Bolt	5
FF	Small Wood Cap	2
GG	Wood Screw	2
HH	Connecting Screw Knott	2
II	Large Wood Cap	2
JJ	L Bracket	4
KK	Wood Screw	8

# Pre-assembly (continued)

## PACKAGE CONTENTS

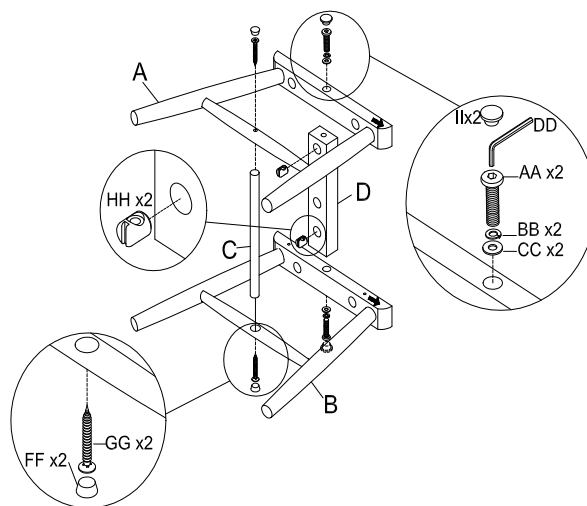


Part	Description	Quantity
A	Left Legs	1
B	Right Legs	1
C	Bottom Support Rail	1
D	Top Support Rail	1
E	Top Seat	1

# Assembly

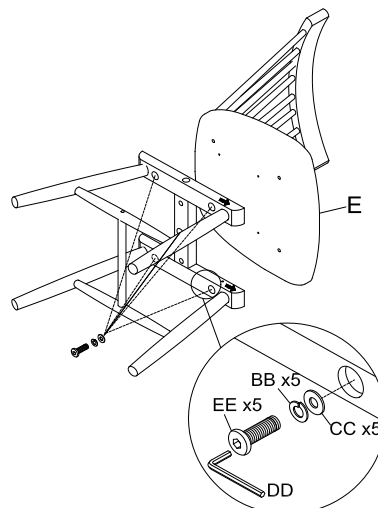
## 1 Assemble Legs with Top/Bottom Support Rails

- Align Bottom Support Rail (C) with the center holes of Left/Right Legs (A/B). Screw in Wood Screw (GG), then cover with Small Wood Cap (FF). **Apply on both sides.**
- Align the Connecting Screw Knott (HH) with Top Support Rail (D). Attach Long Bolt (AA) through the Spring Washer (BB) and Flat Washer (CC). Use Allen Wrench (DD) to tighten, and then cover with Large Wood Cap (II). **Apply on both sides. Be sure to align the holes of Connecting Screw Knott (HH) with the holes of the Legs (A/B).**



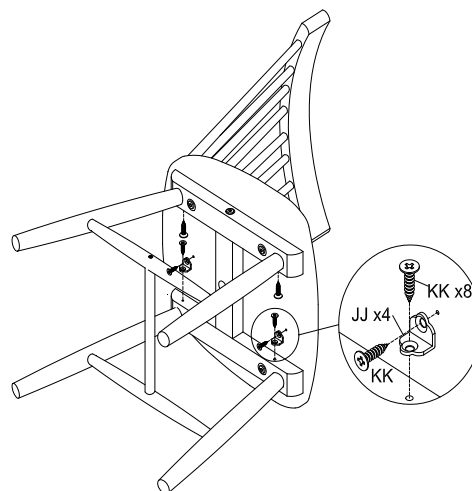
## 2 Assemble Chair Bottom with Top Seat

- Attach Short Bolt (EE) through Spring Washer (BB) and Flat Washer (CC). Use Allen Wrench (DD) to tighten. **Apply five times.**



## 3 Secure Top Seat with Chair Bottom

- Attach Wood Screw (KK) through L Bracket (JJ) to secure the Left/Right Legs (A/B) with Top Seat (E). **Apply Wood Screw (KK) eight times and L Bracket (JJ) four times.**



## Maintenance

---

- In the event that your furniture is stained or otherwise damaged during use, we recommend that you call a professional to repair your furniture.
- Check bolts/screws periodically and tighten them if necessary.

## Care and Cleaning

---

- Use a soft, clean cloth that will not scratch the surface when dusting.
- Using solvents of any kind on your furniture may damage the finish.
- Use of furniture polishes is not necessary.
- Never use water to clean your furniture, as it may cause damage to the finish.
- Liquid spills should be removed immediately. Use a soft and clean cloth to blot the spill gently. Avoid rubbing.
- Use of furniture polishes is not necessary.
- Avoid placing furniture directly under windows.

# **StyleWell<sup>TM</sup>**

Questions, problems, missing parts?  
Before returning to the store, call Customer Service  
8 a.m. – 7 p.m., EST, Monday – Friday, 9 a.m. – 6 p.m., EST, Saturday

**1-877-527-0313**

**HOMEDEPOT.COM**

Retain this manual for future use.