

# CME125

## 1.25 Cu Ft. Cement Mixer Assembly & Operating Instructions



### **READ ALL INSTRUCTIONS AND WARNINGS BEFORE USING THIS PRODUCT.**

This manual provides important information on proper operation & maintenance. Every effort has been made to ensure the accuracy of this manual. These instructions are not meant to cover every possible condition and situation that may occur. **We reserve the right to change this product at any time without prior notice.**

**IF THERE IS ANY QUESTION ABOUT A CONDITION BEING SAFE OR UNSAFE, DO NOT OPERATE THIS PRODUCT!**

### **QUESTIONS? PROBLEMS? CALL US FIRST!**

If you experience a problem, have questions or need parts for this product, call Customer Service at **636-532-9888, Monday-Friday, 8 AM - 4 PM Central Time.** A copy of the sales receipt is required.

**FOR CONSUMER USE ONLY – NOT FOR PROFESSIONAL USE.  
KEEP THIS MANUAL, SALES RECEIPT & APPLICABLE WARRANTY FOR FUTURE REFERENCE.**



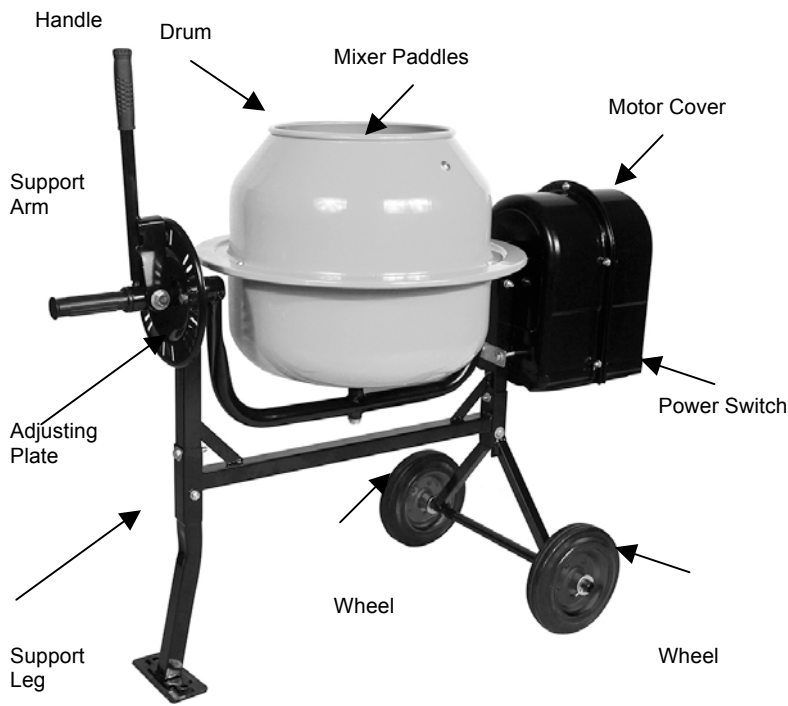
#### **California Proposition 65 Warning**

Certain components in this product and its related accessories contain chemicals known to the state of California to cause cancer, birth defects or other reproductive harm. Wash hands after handling.

## GENERAL PRODUCT SPECIFICATIONS

### SPECIFICATIONS

1/4 HP (0.25)  
Belt Driven Motor  
120V~60Hz / 300 Watt / 2.7Amp  
10" Diameter Drum Opening  
Drum Tips 360 Degrees  
Handles Stucco, Mortar and Concrete  
Direct Drive Gearbox  
CSA Approved  
Motor Speed w/out Load: 1150/min  
Dry Mix Capacity: 154 lbs ( 70L )  
Drum Speed: 30 RPM  
8 Inch Rubber Wheels  
Low-profile height is ideal for pouring into forms, wheelbarrows, moving around job site



## SAVE THESE INSTRUCTIONS FOR FUTURE REFERENCE

This manual contains important information regarding safety, operation, maintenance and storage of this product. Before use, read carefully and understand all warnings, cautions, instructions and labels. Failure to do so could result in serious personal injury, property damage or even death.

COMMON SENSE AND CAUTION ARE FACTORS WHICH CANNOT BE BUILT INTO ANY PRODUCT.

THESE FACTORS MUST BE SUPPLIED BY THE OPERATOR.

### **⚠ WARNING**

**Keep your work area clean and well lit.** Cluttered work benches and dark work areas may cause accidents or injury.

**Keep bystanders, children and visitors away while operating the Cement Mixer.** Distractions can cause you to lose control.

### **⚠ CAUTION**

**Store idle tools out of reach of children and other untrained persons.** Tools are dangerous in the hands of untrained users.

### **⚠ WARNING**

Do not use the cement mixer if the switch does not turn it on and off. Any tool that cannot be controlled with the switch is dangerous and must be repaired.

### **⚠ WARNING**

**Use common sense while operating this cement mixer.**

Do not use this cement mixer if you are:

- Feeling tired or are under the influence of alcohol or drugs.
- Wearing loose clothing or jewelry. Keep long hair pulled back and away from moving parts.
- Overreaching or have improper footing. Handling the tool in this way could cause serious injury.
- Wear the proper safety equipment, such as safety goggles, dust masks, non-skid shoes, etc.
- Check to be sure all adjusting keys or wrenches have been removed before use.

## AVOID DANGEROUS CONDITIONS

Make sure there is adequate surrounding workspace. Keep your work area clean and well lighted. Cluttered areas invite injuries. Keep area around the mixer clear of obstructions, grease, oil, trash and other debris which could cause persons fall onto moving parts. Only use or operate the mixer on solid, flat, level ground that is capable to support the weight of the mixer and its load to prevent the mixer from tipping over. Do not attempt to move the mixer when it is loaded and/or in operation. This mixer is intended for the production of concrete, mortar and plaster. It is not suitable for the mixing of flammable or explosive substances. Do not use it in areas where fumes from paint, solvents or flammable liquids pose a potential hazard.

### **INSPECT YOUR MIXER**

Check your mixer before turning it on. Keep guards in place and in working order. Do not plug mixer with motor cover off. Check all bolts, nuts, and screws for tightness before each use, especially those securing guards and drive mechanisms. Vibration during mixing may cause these to loosen. Replace damaged, missing or failed parts before using it.

Do not wear loose clothing, gloves, neckties or jewelry (rings, wrist watches): They can be caught in moving parts. Protective electrically non-conductive gloves and non-skid footwear are recommended when working. Wear protective hair covering to contain long hair, preventing it from getting caught in machinery. Wear a face or dust mask if the operation is dusty. Always wear safety goggles and/or face shields. Everyday eyeglasses have only impact resistant lenses. They are not safety glasses.

### **⚠ WARNING**

**Safety glasses and ear protection must be worn during operation. Wear eye protection (see ANSI Z49.1 safety standard), non-conductive gloves and non-skid footwear.**

### **DO NOT ABUSE CORD**

Never carry mixer by cord or yank it to disconnect from socket. Keep cord from heat, oil & sharp edges.

### **EXTENSION CORDS**

Extension cords must be no longer than 164 feet in length. The wire section must be big enough to allow sufficient current flow to the motor. Improper use of extension cords may cause inefficient operation of the mixer which can result in overheating and motor damage. Only extension cords to H07RN-F specification intended for outdoor purpose may be used. Avoid use of free and inadequately insulated connections. Connections must be made with protected material suitable for outdoor use. Make sure that any extension cord connections are dry and safe. Ensure that the extension cord is carefully laid out avoiding liquids, sharp edges and places where vehicles might run over it. Avoid allowing the extension cord to be trapped underneath the mixer. Unroll it fully or it will overheat and could catch fire.

### **AVOID ELECTRICAL SHOCK**

Check that the electric circuit is adequately protected and that it corresponds with the power, voltage and frequency of the motor. Do not plug or unplug the motor while standing in or around damp or wet ground. Do not use the mixer in wet or damp areas or expose it to rain. Prevent body contact with grounded surfaces: pipes, radiators, ranges, and refrigerator enclosures. Make sure your fingers do not touch the plug's metal prongs when plugging or unplugging the mixer.

### **DO NOT OVERREACH**

Keep proper footing and balance at all times when loading or unloading the mixer. Never stand on mixer. Serious injury could occur if the mixer is tipped. Do not store anything above or near the mixer where anyone might stand on the mixer to reach them.

### **AVOID INJURY FROM UNEXPECTED ACCIDENT**

Keep hands out of the way of all moving parts. Do not place any part of your body or any tool, like shovel in the drum during operation. When operating, do not pass hands through the clearance between frame and support arm or the one between the drum and support arm. Never open the motor cover before unplugging the mixer. Disconnect from power supply when not in use, before moving, making adjustments, changing parts, cleaning, or working on the mixer.

### **DO NOT FORCE TOOL**

Always work within the rated capacity. Do not start the motor if the drum is fully loaded. Do not turn mixer off while full of concrete. Do not use the mixer for a purpose for which it was not intended. The mixer is not to be towed by any vehicle. NEVER LEAVE MIXER RUNNING UNATTENDED. Do not leave mixer until it has come to a complete stop. DISCONNECT POWER.

## PROTECT THE ENVIRONMENT

Take leftover materials to an authorized collection point or follow the stipulations in the country where the mixer is used. Do not discharge into drains, soil or water.

## STAY ALERT

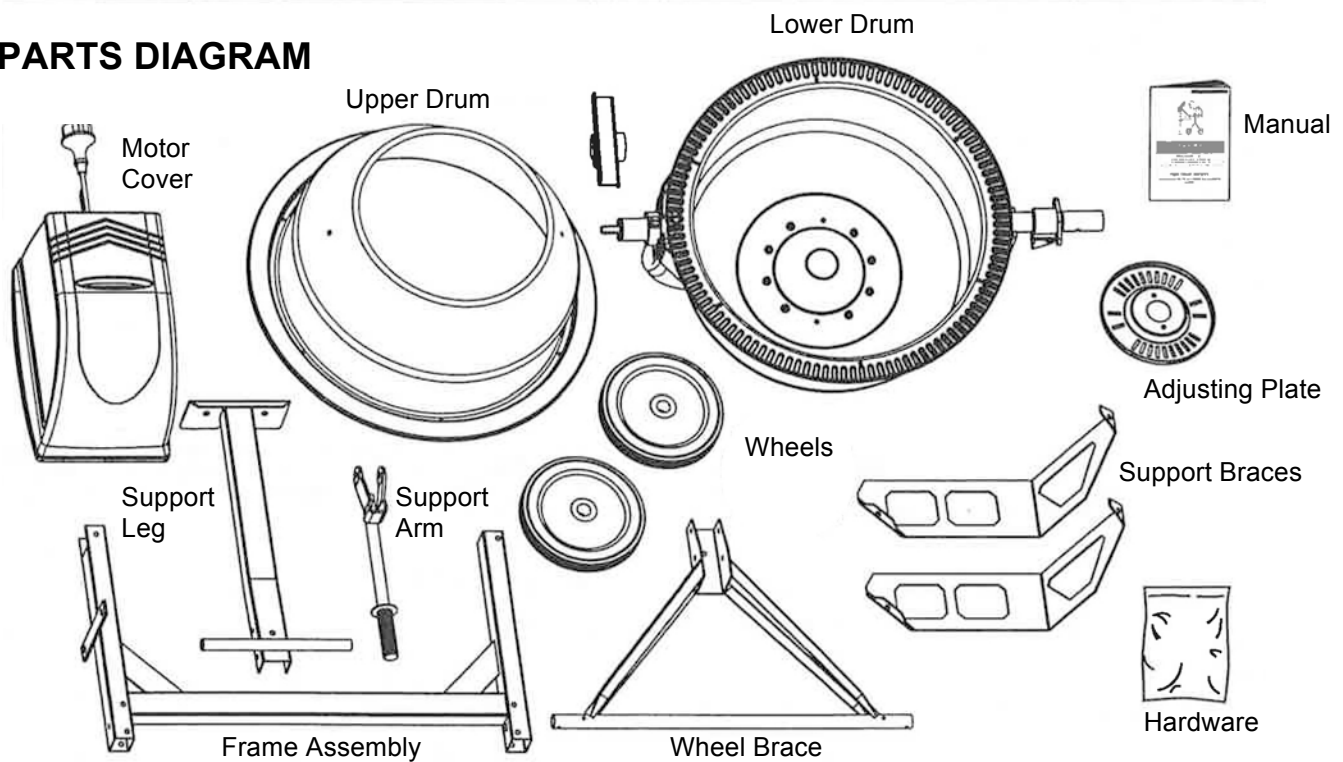
Do not operate the mixer while under the influence of drugs, alcohol, or any medication that could affect your ability to use it properly. Do not use this mixer when you are tired or distracted from the job at hand. Watch what you are doing at all times. Use common sense.

## SERVICE

**Tool service must be performed only by qualified repair personnel.** Service or maintenance by unqualified personnel could result in a risk of injury.

**When servicing a tool, use only identical replacement parts and follow instructions in the manual.** Use of unauthorized parts or failure to follow Maintenance Instructions may create a risk of shock or injury.

## PARTS DIAGRAM

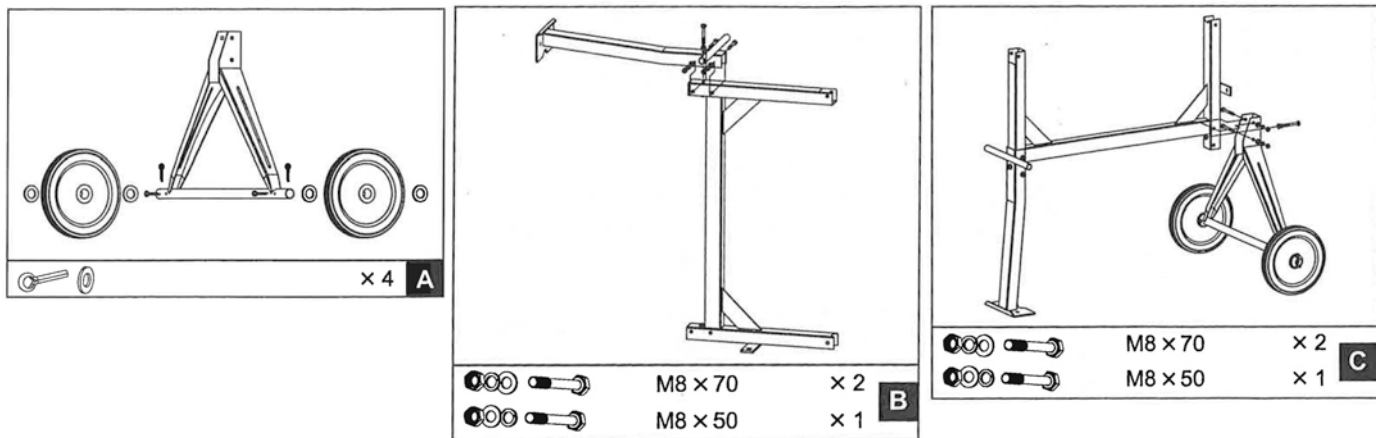


## ASSEMBLY WARNING! - IT IS RECOMMENDED THAT TWO PERSONS ASSIST IN ASSEMBLY

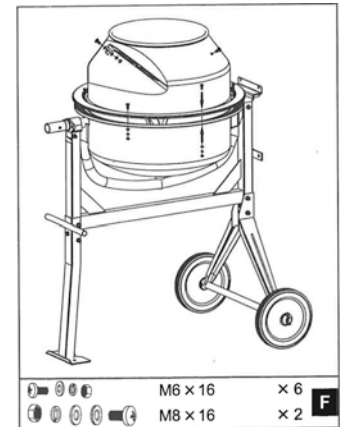
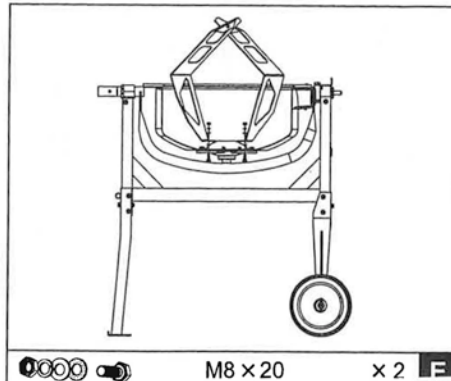
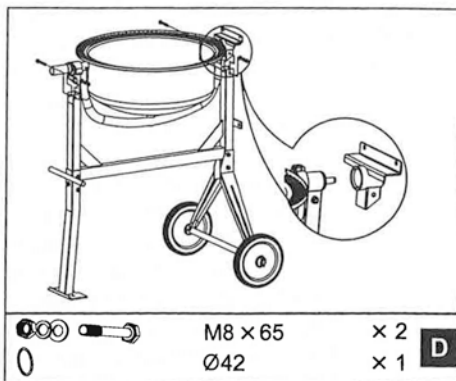
**Figure A.** With a split pin inserted into the inner holes in each stub axle, place a flat washer, then a wheel followed by another flat washer. Insert another split pin into the axle holes outside each flat washer. Bend each side of the pins outward so they do not fall out.

**Figure B.** With the frame lying on its side, attach the support leg as shown. Insert two M8X70 hex bolts through the holes from one side, then flat washers, lock washers and nuts from the other side. Also screw a M8X50 hex bolt with lock and flat washers to the nut on the frame. Tighten down.

**Figure C.** Turn the frame over and attach the axle bracket with wheels in the same manner.

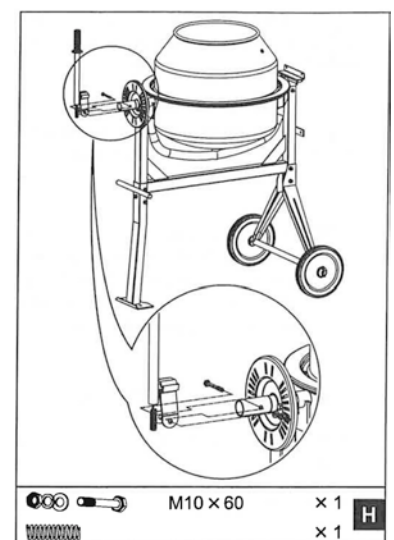
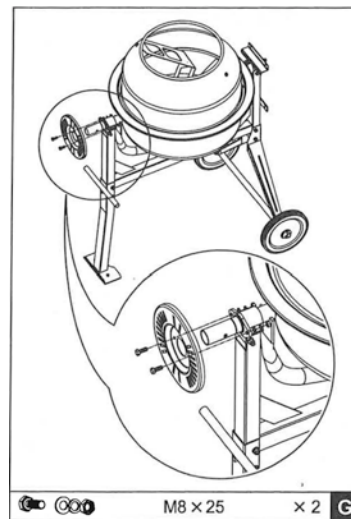


**Figure D.** Slide the bearing block on the shaft. Hold it in place with 042 spiral ring. Carefully, and with two people, set the bottom drum with support arm onto the side supports of the stand as shown, so that the bearing blocks slot into the channels provided by the side supports. The larger diameter shaft should be at the leg end of the stand. At each side, line up the holes in the side support with those in the bearing block and insert a M8X65 hex bolt from one side, then a flat washer, lock washer and nut from the other side. Tighten with a wrench.



**Figure E.** Mount the mixing blades inside the bottom drum loosely as shown - Two holes are provided at the base of the drum into which a M8X20 bolt may be inserted from the outside. A leather washer, flat washer, lock washer and a nut should be threaded on loosely on the inside. The leather washer should be placed under the blade down against the drum. NOTE: Two arrows are labeled on upper drum and bottom drum to make their position relation. If you have any difficulty in correctly positioning the mixing blades, it is helpful if you temporarily mount the upper drum on the top of the bottom drum, rotating it so that the two arrows line up.

**Figure F.** Position the upper drum on bottom drum over the rim, making sure the mounting holes align in both as well as the labeled arrows. Insert a M6X16 cross headed screw into each mounting holes in the rim. Secure each bolt from below with a flat washer, lock washer and nut. Tighten all bolts. Secure the mixing blades to the upper drum by inserting two M8X16 cross headed screws, from the outside through the holes in the drum. A leather washer should be positioned inside between the drum and blade. Secure the mixing blade on the inside using a flat washer, spring washer and nut. Ensure top and bottom mixing blade mountings are tight.



**Figure G.** Position the adjusting plate and attach with bolts.

**Figure H.** Slide the support arm over the adjusting plate and attach with bolts. Place shaft at the leg end of frame with the rim facing inwards. Secure with two M8X25 bolts, each with a nut, lock and flat washers. Insert the spring into the bar pipe. Hold it in place with a finger and place the bar over the larger diameter shaft so the shaft retains the spring. Press down on bar until the holes in the bracket line up with the hole drilled. Insert a hex bolt and screw on a nut with flat and lock washers from the other side. Screw the nut up against the bracket firmly, but not so tightly so as to prevent the bar from pivoting about the bolt.

**Figure I.** Line up the motor and slide the transmission case over the pinion shaft. Secure the case to the frame with four M8 nuts. NOTE: The bar must be allowed to pivot about the bolt so that the lugs on the bracket can be engaged or disengaged from the slots in the locking plate.

## **LOADING / DRUM TILTING**

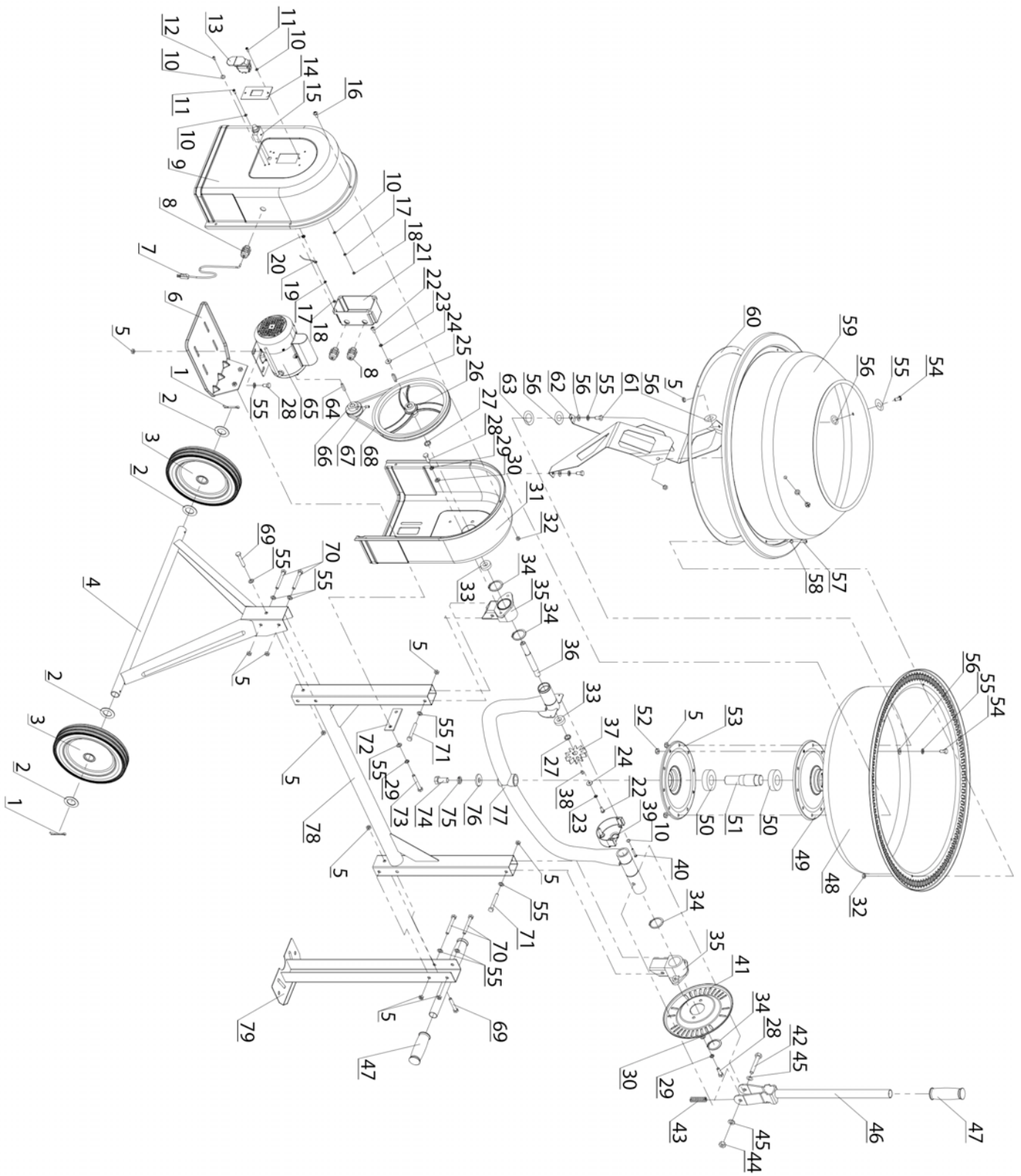
The spring-loaded tipping bar with locking lugs provides easy control of the drum which can be locked in the Mix, Discharge and Stored position. The drum is locked in position by lugs on the self-locating tipping bar, which engages into the locking plate on the mixer frame. To tilt the drum, withdraw the tipping bar to disengage the locking lugs. This allows the tipping bar and drum to be turned in the same direction. Rotate the tipping bar until the locking lugs engage into the locking plate on the mixer frame.

NOTE: A built-in thermal protector in the motor will prevent it from overheating. The thermal protector restores automatically when the motor cools down.

## **MAINTENANCE**

Thoroughly clean the mixer at the end of each day's operation. Keep your mixer clean. The slightest trace of material left in the drum will harden and attract more each time you use it until the machine is useless. Dried cement should be scraped out of the drum. Do not throw bricks into mixer drum to clean it out. Do not beat on the drum to break up accumulations of dried cement mix. The drum may be scoured for approximately 2 minutes, using 1" gravel and water mixture. Discharge the gravel / water mixture and hose down the drum assembly inside and out. The drive belt is under constant tension by a spring-loaded jockey. No adjustment is required apart from a touch of grease on the spindle. The bearings are sealed for life.

# PARTS DIAGRAM



## PARTS LIST

Part	Description	Qty
1	Cotter Pin 5×40	2
2	Flat Washer 27	4
3	Wheel	2
4	Wheel Bracket	1
5	Hex Flange Nut M8	18
6	Motor Bracket	1
7	Power Cord	1
8	Bushing M12	3
9	Motor Cover	1
10	Flat Washer 4	15
11	Cross-Head Screw M4×12	4
12	Screw ST3.5×9.5	4
13	Switch	1
14	Switch Panel	1
15	Overload Protection Device 5A	1
16	Hex Bolt M6×20	5
17	Spring Washer 4	4
18	Nut M4	4
19	Ground Wire	1
20	Serrated Washer	1
21	Terminal Box	1
22	Cross-Head Screw M6×15	2
23	Spring Washer 6	2
24	Flat Washer 6	2
25	Flat Key 5×35	1
26	Drum Pulley	1
27	Spacer	2
28	Hex Bolt M8×20	4
29	Spring Washer 8	6
30	Flat Washer 8	4
31	Motor Hood	1
32	Nut M6	13
33	Bearing 6002ZZ	2
34	Ring Shield Ø38	4
35	Support Bracket Seat	2
36	Pinion Shaft	1
37	Gear	1
38	Flat Key 5×12	1
39	Gear Cover	1
40	Cross-Head Screw M4×30	3

Part	Description	Qty
41	Handle Control Plate	1
42	Hex Bolt M10×70	1
43	Coil Spring	1
44	Nut M10	1
45	Flat Washer 10	2
46	Control Handle	1
47	Rubber Handle	3
48	Lower Drum	1
49	Bearing Cover, Upper	1
50	Bearing 6206Z	2
51	Shaft	1
52	Nut M8	6
53	Bearing Cover, Lower	1
54	Hex Bolt M8×16	10
55	Flat Washer 8	26
56	Seal Gasket	18
57	Bolt M6×16	8
58	Flat Washer 6	8
59	Upper Drum	1
60	Rubber Gasket	1
61	Hex Bolt M8×20	2
62	Mixer Blade	2
63	Rubber Gasket	2
64	Flat Key 5×25	1
65	Motor	1
66	Motor Pulley	1
67	Screw M6×12	1
68	V-Belt O-870	1
69	Hex Bolt M8×55	2
70	Hex Bolt M8×65	4
71	Hex Bolt M8×60	2
72	Clamp	1
73	Hex Bolt M8×70	2
74	Hex Bolt M14×30	1
75	Spring Washer 14	1
76	Flat Washer	1
77	Arm	1
78	Stand	1
79	Leg	1

201708