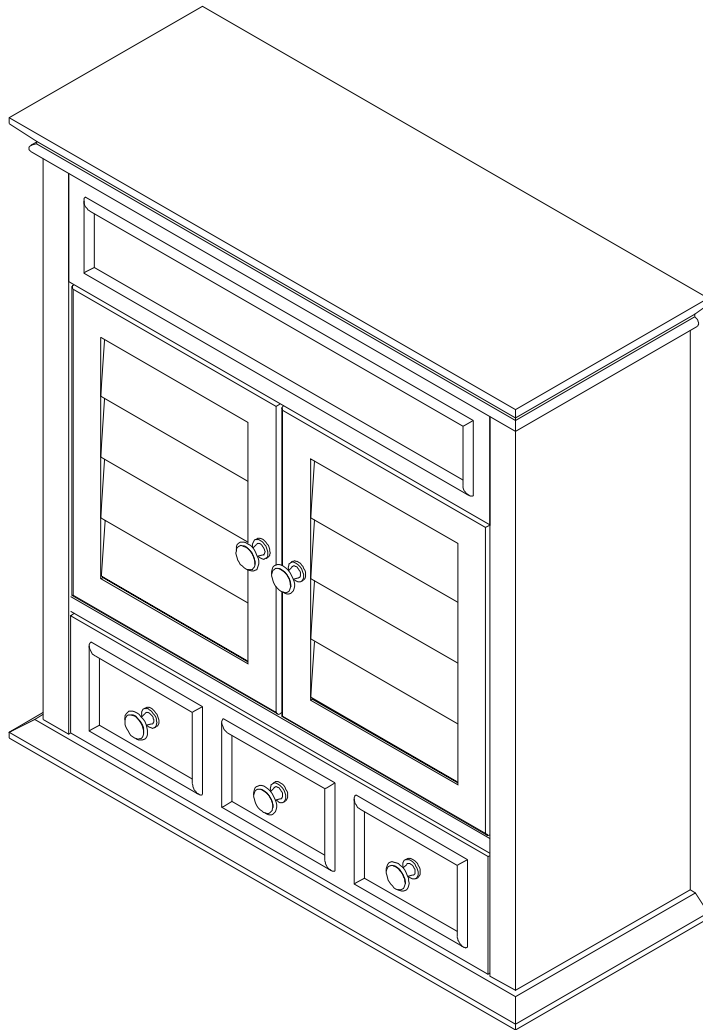
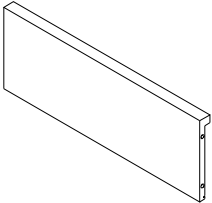
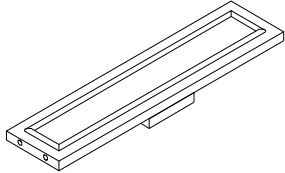
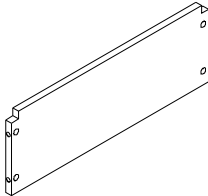
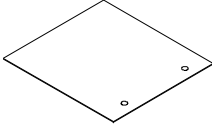
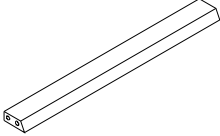
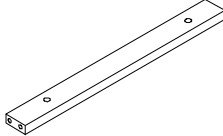
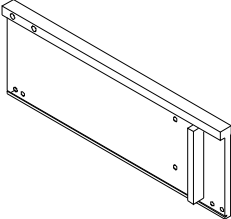
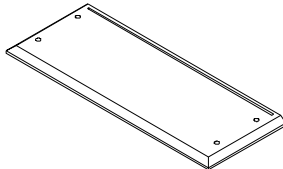
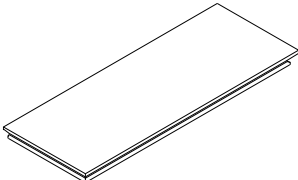
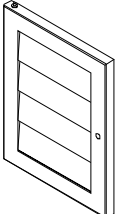
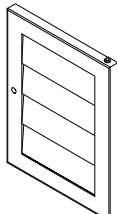
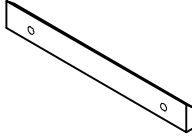
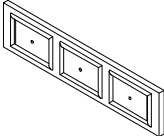
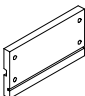
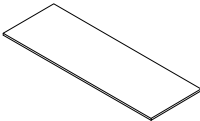
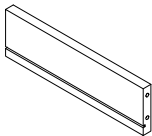





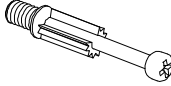
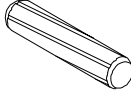
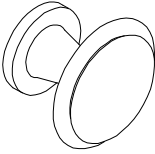



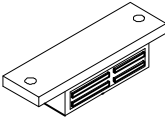

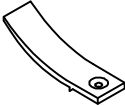

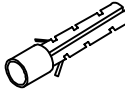
Lydia Bathroom Wall Cabinet
CF7004



PART LIST

 <p>Left Side Panel</p>	 <p>Front Top Rail</p>	 <p>Fixed Shelf</p>			
<p>1</p>	<p>1pc</p>	<p>2</p>	<p>1pc</p>	<p>3</p>	<p>1pc</p>
 <p>Back Panel</p>	 <p>Back Top Rail</p>	 <p>Back Bottom Rail</p>			
<p>4</p>	<p>1pc</p>	<p>5</p>	<p>1pc</p>	<p>6</p>	<p>1pc</p>
 <p>Right Side Panel</p>	 <p>Bottom Panel</p>	 <p>Top Panel</p>			
<p>7</p>	<p>1pc</p>	<p>8</p>	<p>1pc</p>	<p>9</p>	<p>1pc</p>
 <p>Left Door</p>	 <p>Right Door</p>	 <p>Support Plate</p>			
<p>10</p>	<p>1pc</p>	<p>11</p>	<p>1pc</p>	<p>12</p>	<p>1pc</p>
 <p>Drawer Front Panel</p>	 <p>Drawer Side Panel</p>	 <p>Drawer Bottom Panel</p>			
<p>13</p>	<p>1pc</p>	<p>14</p>	<p>2pcs</p>	<p>15</p>	<p>1pc</p>
 <p>Drawer Back Panel</p>					
<p>16</p>	<p>1pc</p>				

HARDWARE LIST

 Cam Lock Ø15*12mm A 20pcs		 Cam Bolt Ø6*42mm B 20pcs		 Wood Dowel Ø8*30mm C 6pcs	
 Knob Ø29*27mm D 5pcs		 Round Head Bolt Ø5/32"*19mm E 5pcs		 Long Screw Ø4*57mm F 4pcs	
 Short Screw Ø3.5*25mm G 8pcs		 Magnet L70*H12mm H 1pc		 Screw Ø3*15mm I 2pcs	
 Drawer Stopper Ø29*27mm J 1pc		 Screw Ø3*12mm K 1pc		 Wall Anchor Ø8*38mm L 4pcs	

EXTRA HARDWARE LIST



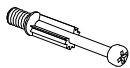
A X 2



C X 2



F X 1



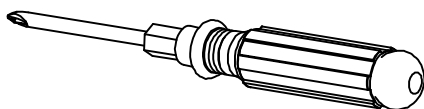
B X 2



G X 1

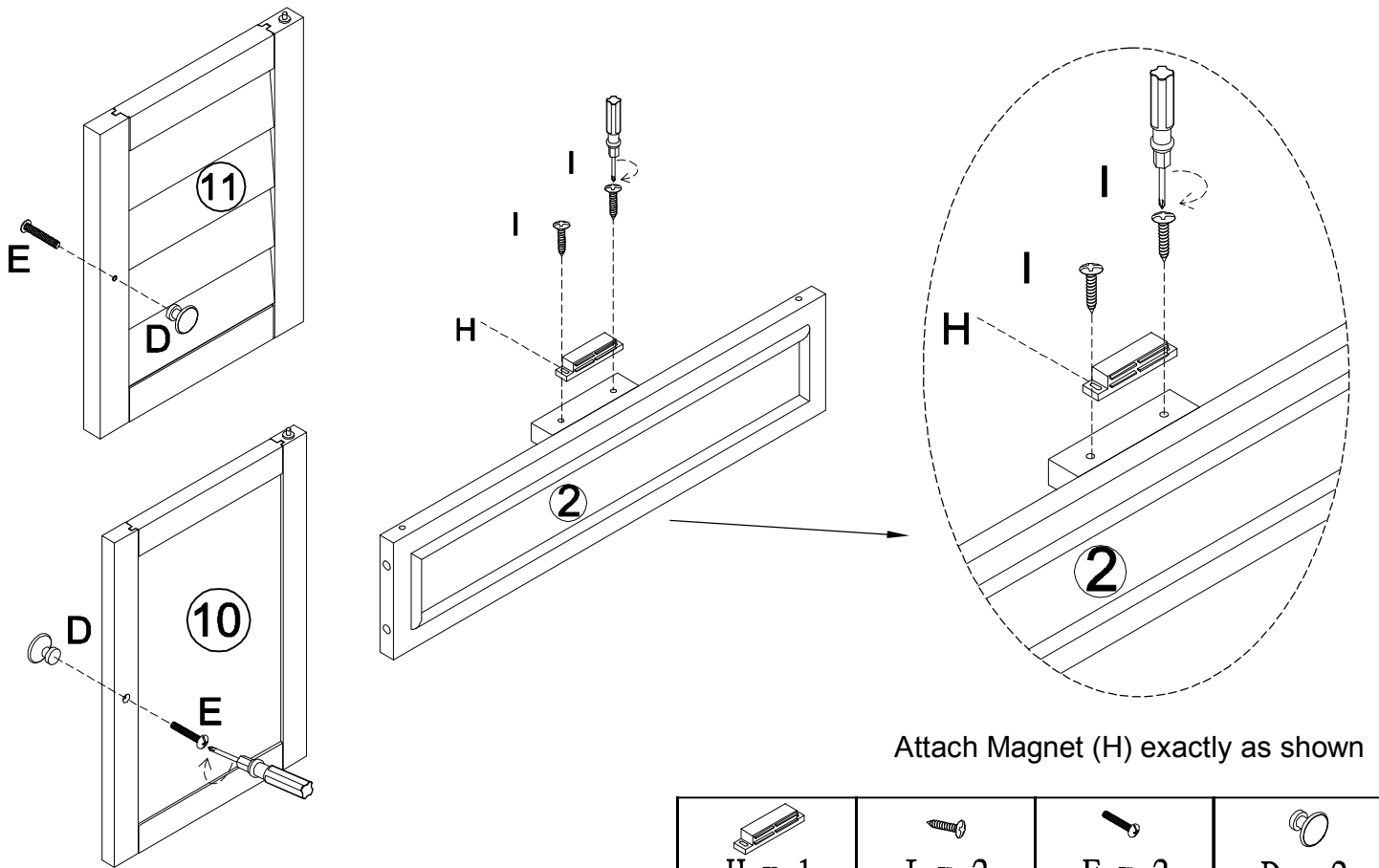
ADDITIONAL TOOLS (Not Provided)

Note: It is not recommended to use power tools during assembly. You may use power tools to assist in mounting the safety strap kit to the wall.

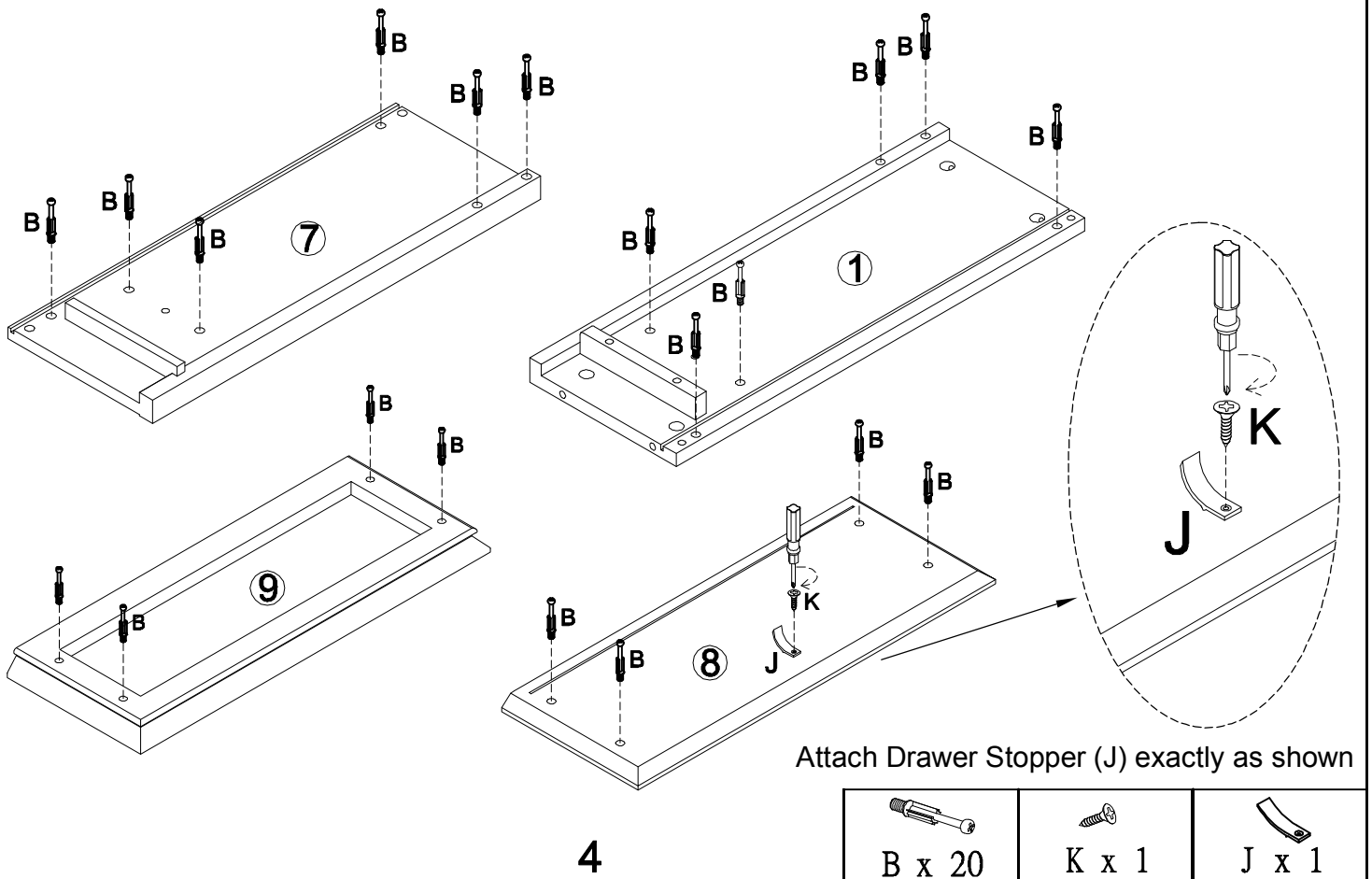


Phillips Head Screw Driver

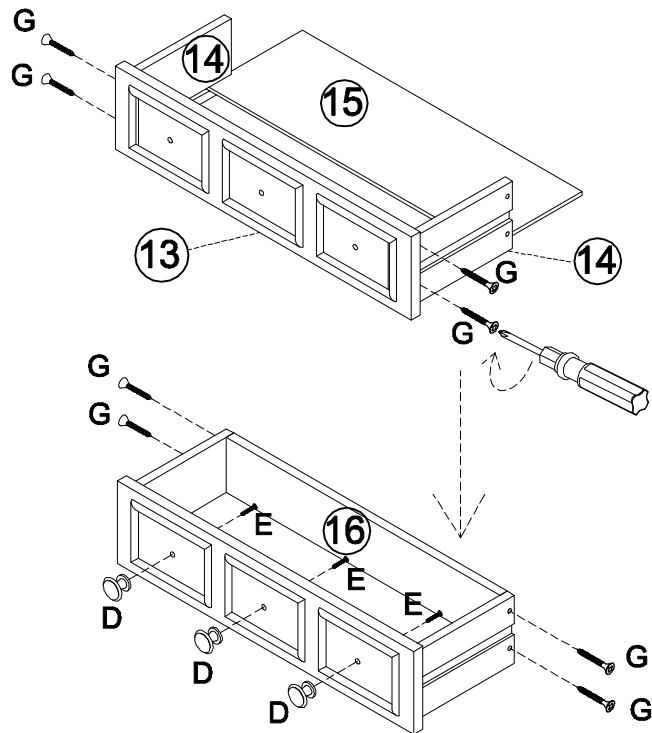
Step 1. Attach Knob (D) to Doors (10 & 11) using Round Head Bolt (E) .
Attach Magnet (H) exactly as shown.






Step 2. Fix Cam Bolt (B) to Side Panels (1 & 7) ,Bottom Panel (8) and Top Panel (9),as shown .
Attach Drawer Stopper (J) exactly as shown.

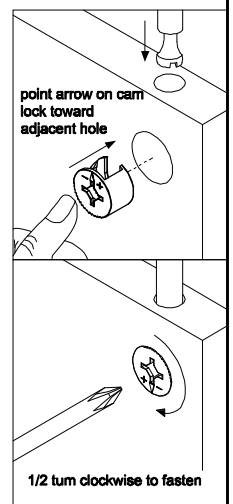
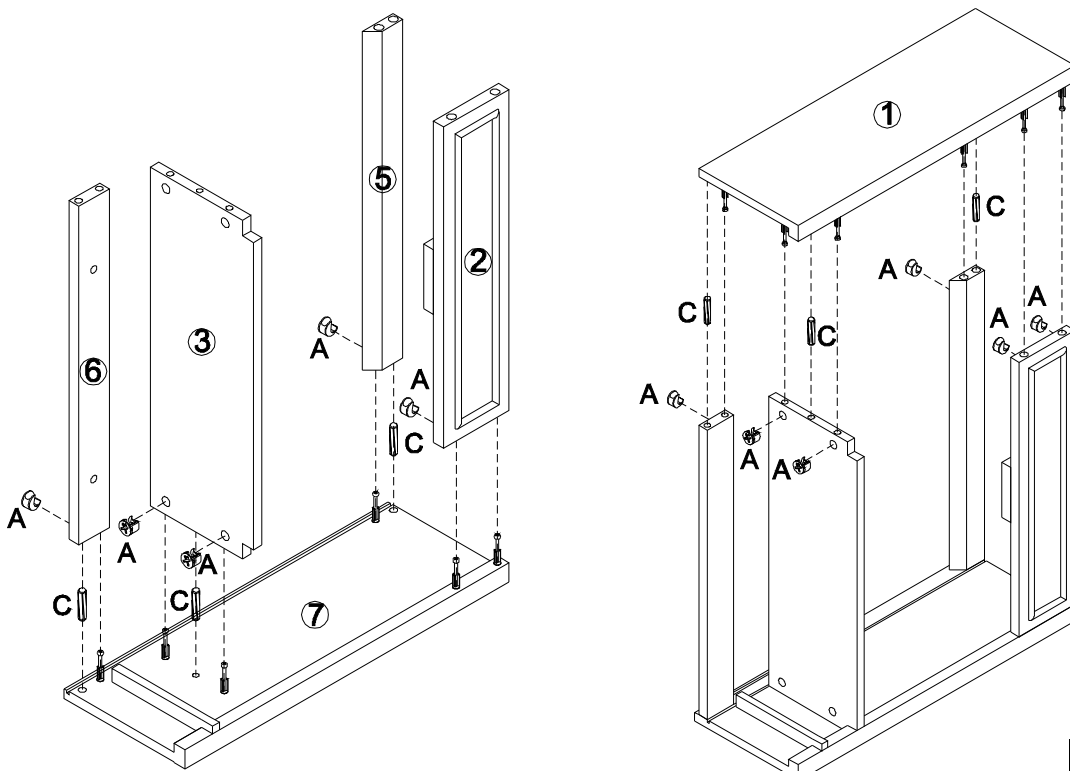


Step 3. Set Drawer Front Panel (13), Drawer Side Panels (14), Drawer Bottom Panel (15) and Drawer Back Panel (16) into place using Short Screw (G). Attach Knob(D) to Drawer Front Panel (13) using Round Head Bolt (E).





		
G x 8	E x 3	D x 3

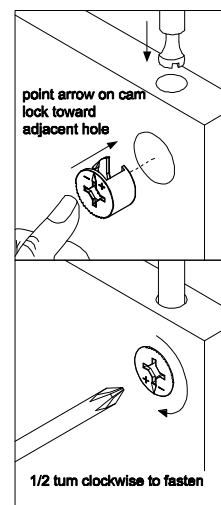
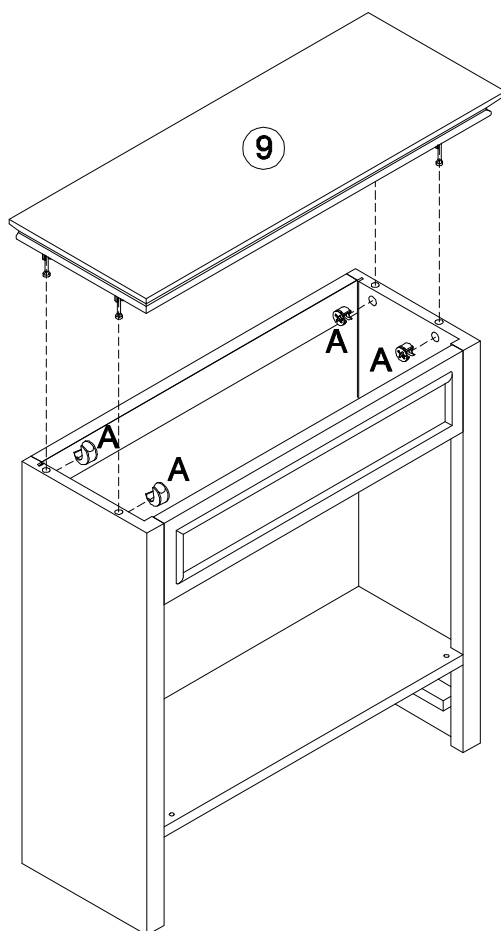
Step 4. Attach Rail (2 & 5 & 6) and shelf (3) to Right Side Panel (7) using Wood Dowel (C) and Cam Lock (A). Set Left Side Panel (1) into place using Wood Dowel (C) and Cam Lock (A).



5

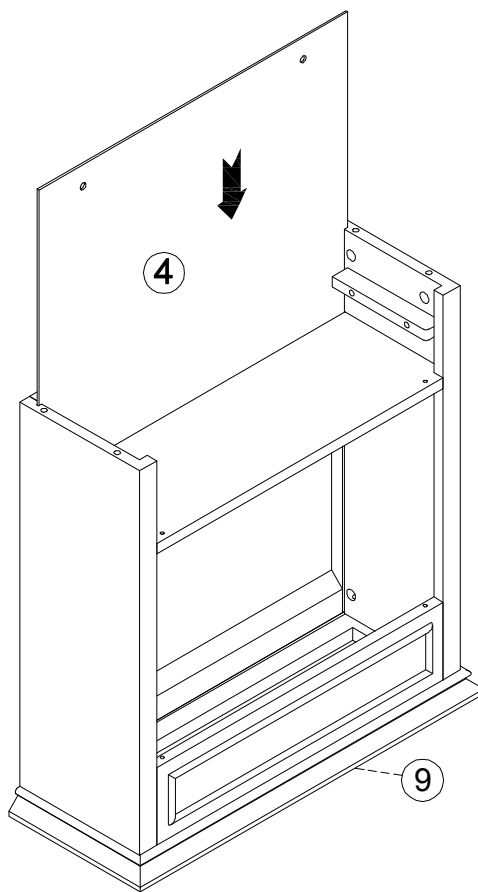
	
A x 12	C x 6

Step 5. Set Top Panel (9) into place using Cam Lock (A) .



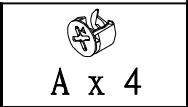
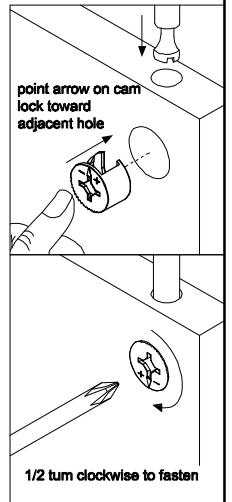
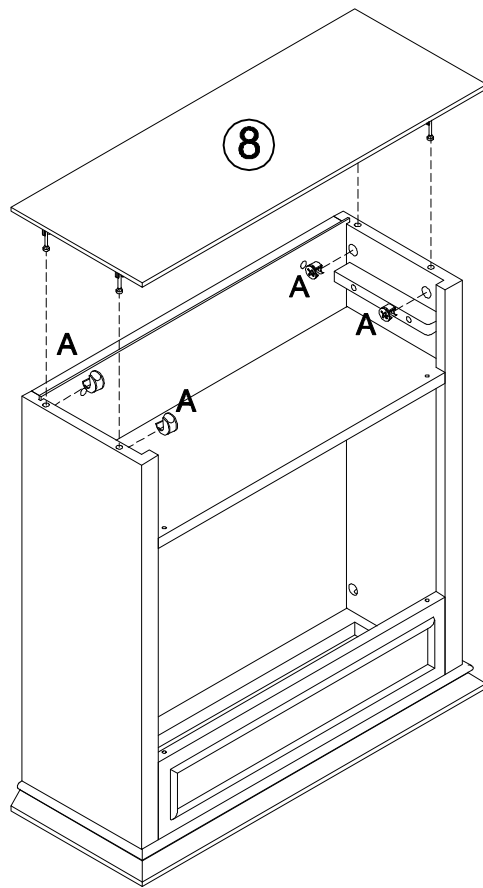

A x 4

Step 6. Place Top Panel (9) to the ground and insert Back Panel (4) into cabinet .
Note: Insert Back Panel exactly as shown.

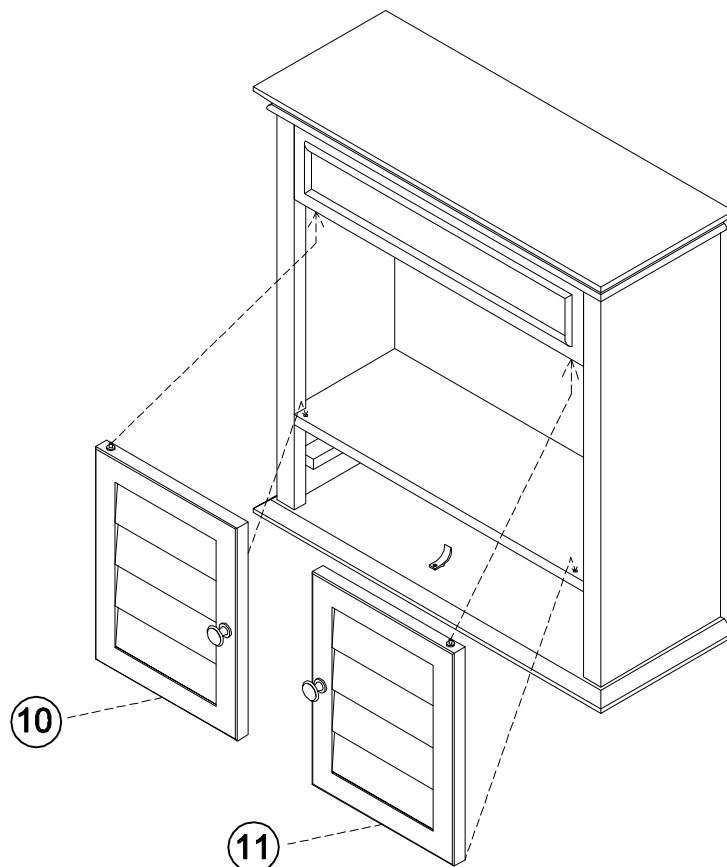


6

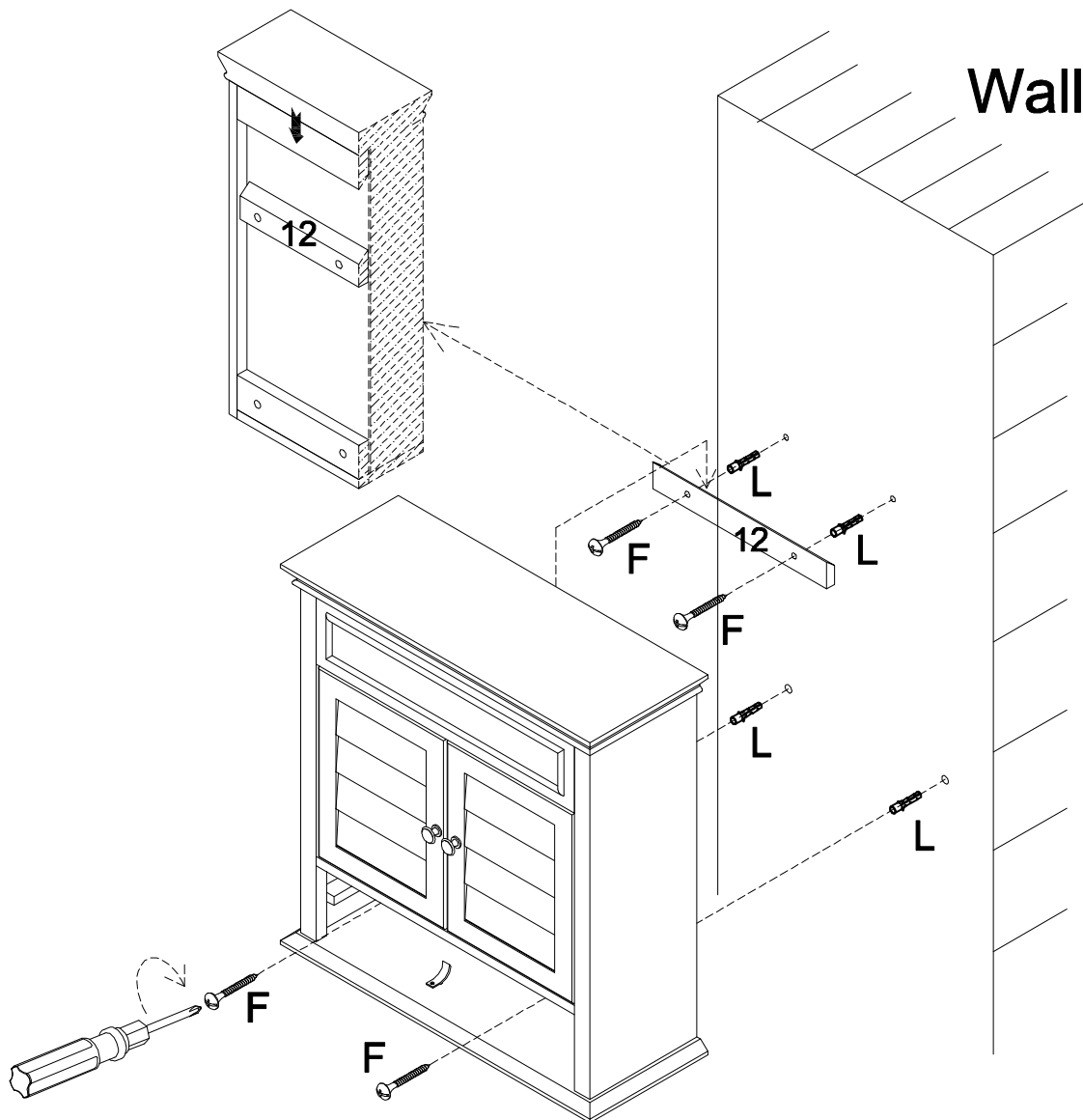
Step 7. Set Bottom Panel (8) into place using Cam Lock (A) .



Step 8. Set Doors (10 & 11) into place .



- Step 9.** Hold the Support Plate (12) in the desired location of the wall unit. This plate will be about 2-1/2" lower than the top of the wall unit. Making sure the Support Plate (12) is level, use a pencil to mark the anchor locations using the Support Plate (12) screw holes as a guide. We recommend using a leveler to make sure the Support Plate (12) is oriented correctly.
- Drill two 11/32" holes in these marked spots and tap the Wall Anchors (L) into the drilled holes. Secure the Support Plate (12) to the Wall Anchors (L) with Screws (F). See Image.
 - Mount the completed unit onto the Support Plate (12). The back of the unit has a recessed area that will hook on to the Support Plate (12). Use a pencil to mark the 2nd set of anchor locations using the holes in the wall unit as a guide. See Image.
 - Remove the wall unit and drill two 11/32" holes at the pencil marks, and tap the Wall Anchors (L) into the holes.
 - Remount the wall unit and secure it to the Wall Anchors (L) with Screws (F). See image.



Step 10. Insert drawer into cabinet .

