



**Dearborn®  
Brass**

4675 W. 160th St.  
Cleveland, Ohio 44135  
Ph: (800) 321-9532  
Fax: (800) 321-9535  
www.dearbornbrass.com

**SUBMITTAL SPECIFICATION**

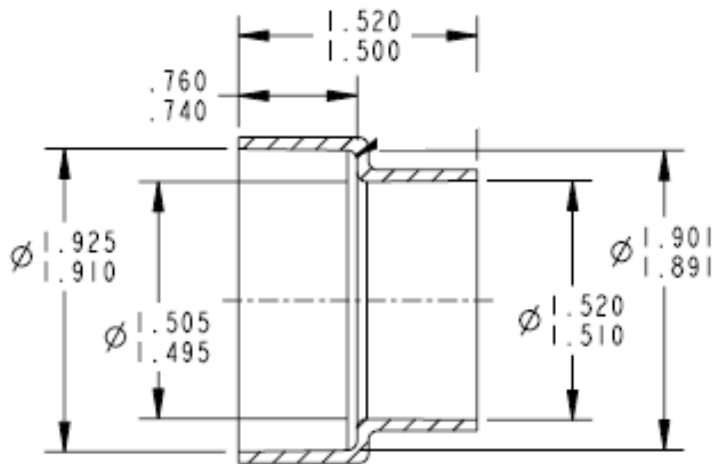
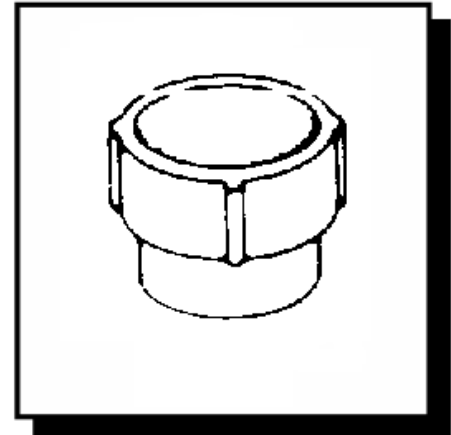
**PLASTIC TUBULAR  
PVC SOLVENT WELD ADAPTER**

**Engineering Specification:** Dearborn Brass Plastic Tubular PVC Solvent Weld Adapter is designed for use in tubular drain applications.

**Job Reference**

**DESCRIPTION**

- Made of PVC plastic
- Plastic Tubular PVC Solvent Weld Adapter
  - Schedule 40 PVC Adapter



✓	Product No.	Description	Carton Quantity	Carton Weight (lbs)
	P9000	1-1/2" PVC Solvent Weld Adapter	25	1.4

Data is subject to manufacturing tolerances.