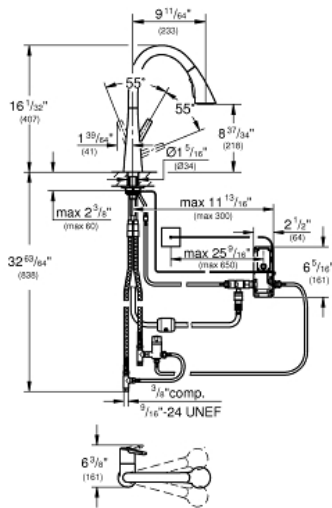


LADYLUX TOUCH  
Single-Handle Kitchen Faucet  
MODEL # 30205002

Pure Freude  
an Wasser

GROHE



ADA

**Product Description:**  
**LADYLUX TOUCH**  
**Single-Handle Kitchen Faucet**

**Standard Specification:**

- Touch: activation of water via skin contact
- 6 V lithium-battery supply (type CR-P2)
- **CE approved and meets the requirements of IAPMO IGC 349-2017**
- Solenoid valve
- Fixed value mixing valve
- Automatic safety stop after 60 sec. (factory set)
- Type of protection IP 44
- **GROHE StarLight** chrome finish
- **GROHE SilkMove** 1.4" (35 mm) ceramic cartridge
- GROHE Magnetic Docking guarantees easy retraction and smooth docking of the spray head back to the starting position
- Pull-out spray with 3 spray types
- Diverter: Laminar spray/SpeedClean shower jet/GROHE Blade spray (reduced water consumption by up to 70% and even stronger spray performance)
- Stop function - pause button to stop the water flow
- Automatic return to laminar spray
- Adjustable flow rate limiter
- Swivel Spout
- Check valve included to prevent backflow
- Stainless steel flex lines
- Quick installation system
- 1.75 gpm

**Applicable Codes & Standards:**

- Energy Policy Act of 1992
- NSF 61
- ASME A112.18.1/CSA B125.1
- US Federal and State material regulations
- ICC/ANSI A117.1
- MASS

**Color:**

- ☐ 30205002 StarLight Chrome

|

