



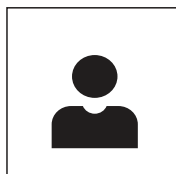
Assembly Instruction

Furinno Turn-N-Tube No Tools
2 Tier Shelf

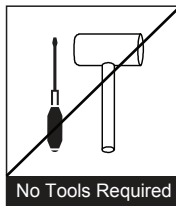
MODEL : 11250



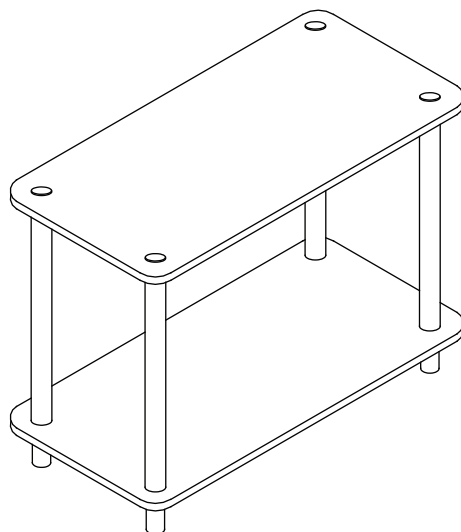
Approx. 10 minutes



Recomm. 1 Person



No Tools Required






Customer Support

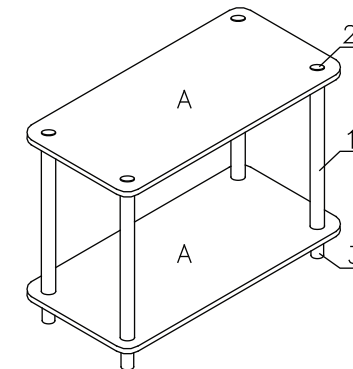
NEED HELP? For replacement requests or product inquiries, please contact our Customer Service Team by emailing us at support@furinno.com. Thank you for selecting Furinno!

www.furinno.com



NO.	HARDWARE & PART LIST	QTY.
1	LONG POLE 	4pcs
2	TOP CAP 	4pcs
3	ROUND LEG 	4pcs

NO.	HARDWARE & PART LIST	QTY.
A	SHELF PANEL 	2pcs

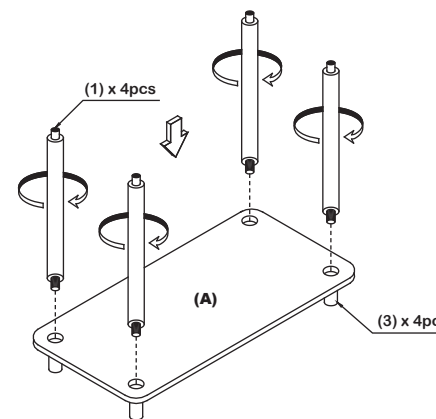


USEFUL HINTS BEFORE YOU START:

1. Read each step carefully before starting.
2. It is important that each step is performed in correct order to avoid difficulties.
3. Identify, sort and count the parts before assembly.
4. Assemble your furniture on packaging cardboard to prevent scratch or damage.
5. Clean the product with mild cleanser using soft dampened cloth. Do not use harsh or abrasive cleanser.
6. Using incompatible hardware might cause damage to product.

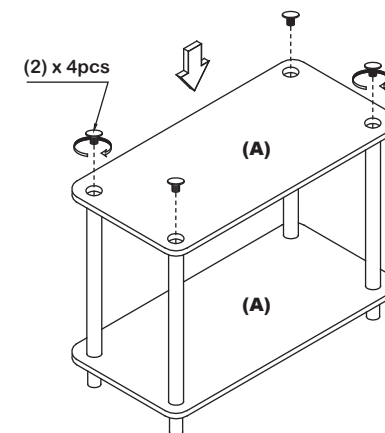
STEP 1

Attach Long Pole (1) to Panel (A) and tighten with Round Leg (3).



STEP 2

Attach Top Panel (A) and tighten with Top Cap (2).



WARNING:

>This unit has been designed to support the maximum load of 15lbs per shelf. Exceeding these load limits could cause sagging, instability, product collapse, and/or serious injury.

>DO NOT allow children to climb on unit.