

Glacier Bay Constructor Series Robe Hook

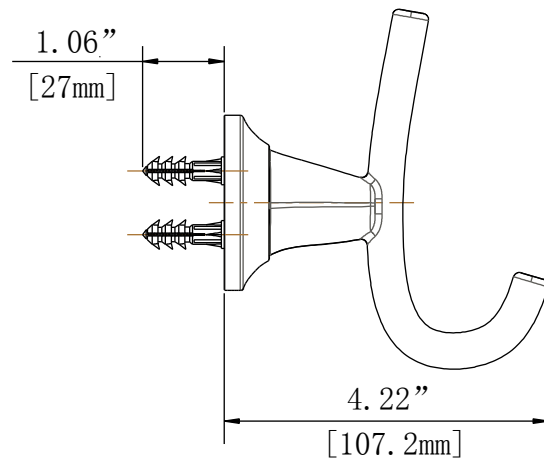
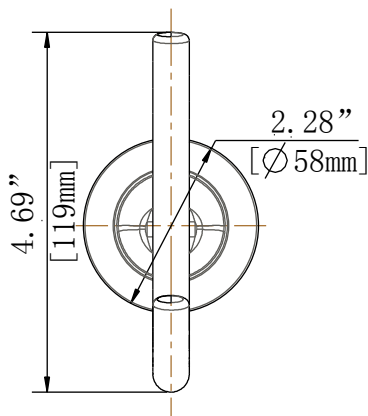
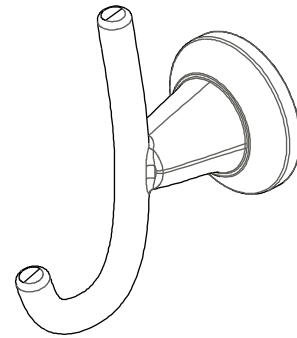
MODEL	SKU#	FINISH
20118-2201	204804708	Chrome
20118-2204	204804721	Brushed Nickel

FEATURES

- 2.28"L x 4.69"W x 4.22"H
- Coordinates with Constructor Series Bath Products
- Easy Installation
- Includes Mounting Hardware and Plastic Anchors
- Tools Required for Installation:
 - Drill with 1/4" Drill Bit
 - Philips Screwdriver
 - Small Flat Head Screwdriver

WARRANTY

- Limited Lifetime Warranty



INSTALLATION DIMENSIONS

Glacier Bay reserves the right to make changes in specifications and materials and to change and discontinue models, both without the notice or obligation. Dimensions are for reference only.