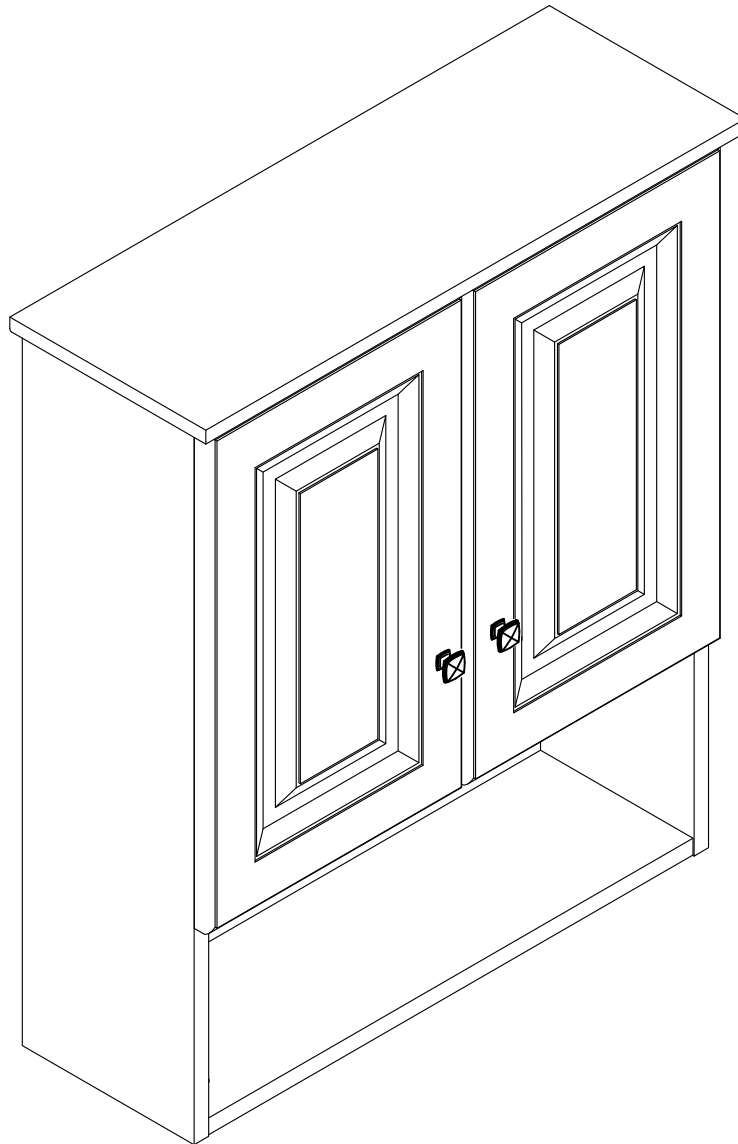




www.todaysdesignhouse.com

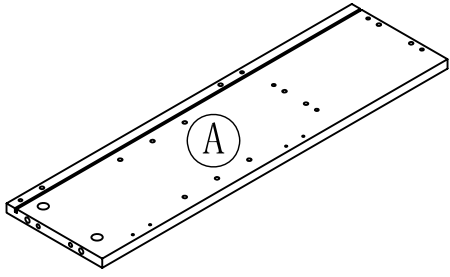


531715

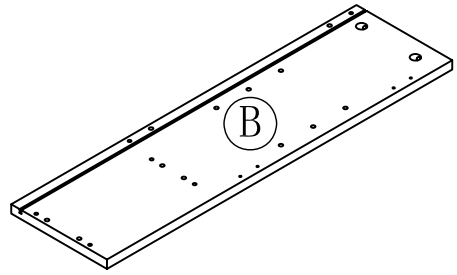
ASSEMBLY INSTRUCTIONS

DHI Corp. • 5205 W. Donges Bay Rd. • Mequon, WI 53092 • 800.558.8700

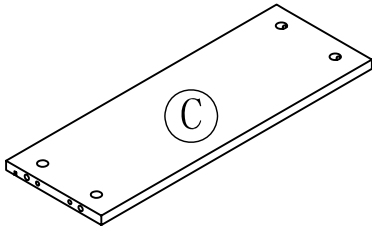
PARTS LIST:



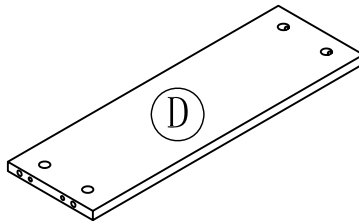
LEFT SIDE PANEL 1PC



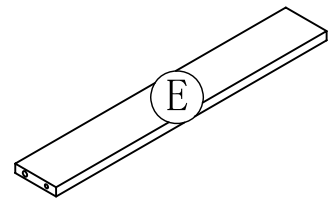
RIGHT SIDE PANEL 1PC



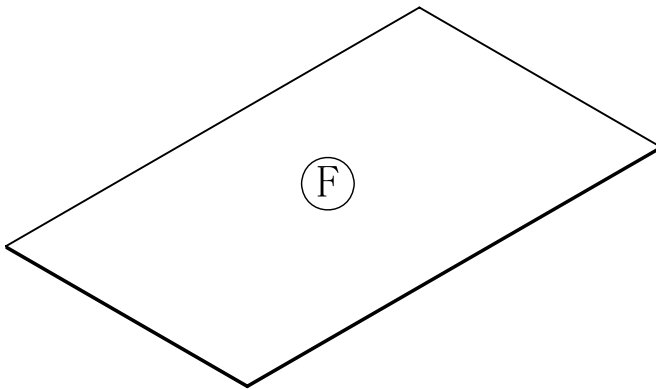
BOTTOM PANEL 1PC



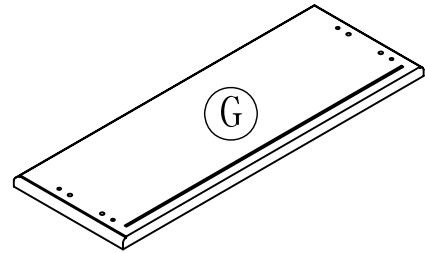
FIXED PANEL 1PC



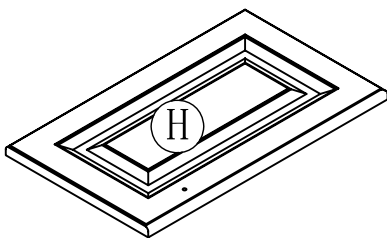
BACK CROSS BRACE 2PCS



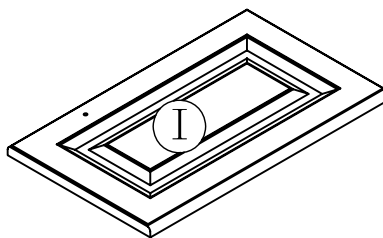
BACK PANEL 1PC



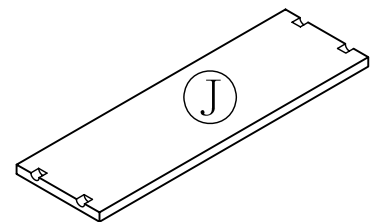
TOP PANEL 1PC



LEFT DOOR 1PC



RIGHT DOOR 1PC

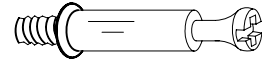


ADJUSTABLE PANEL 1PC

HARDWARE LIST:



a. WOOD DOWEL 16PCS



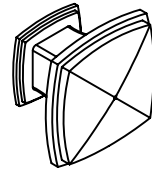
b. CAM LOCK SCREW 16PCS



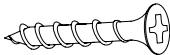
c. CAM LOCK 16PCS



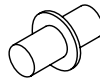
d. KNOB BOLT 2PCS



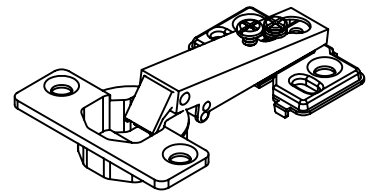
e. KNOB 2PCS



f. 5/8" FLAT HEAD
SCREW 24PCS



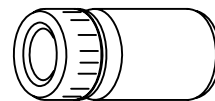
h. PIN 4PCS



g. HINGE 4PCS

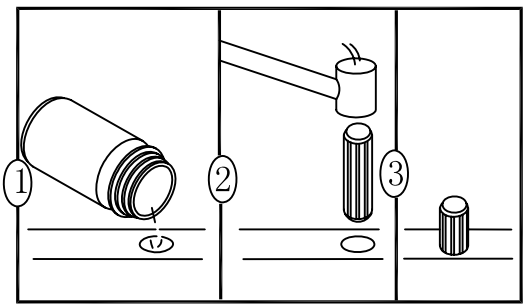
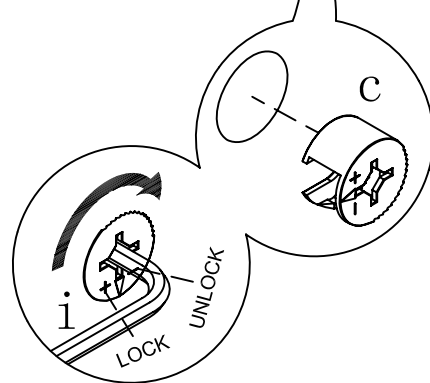
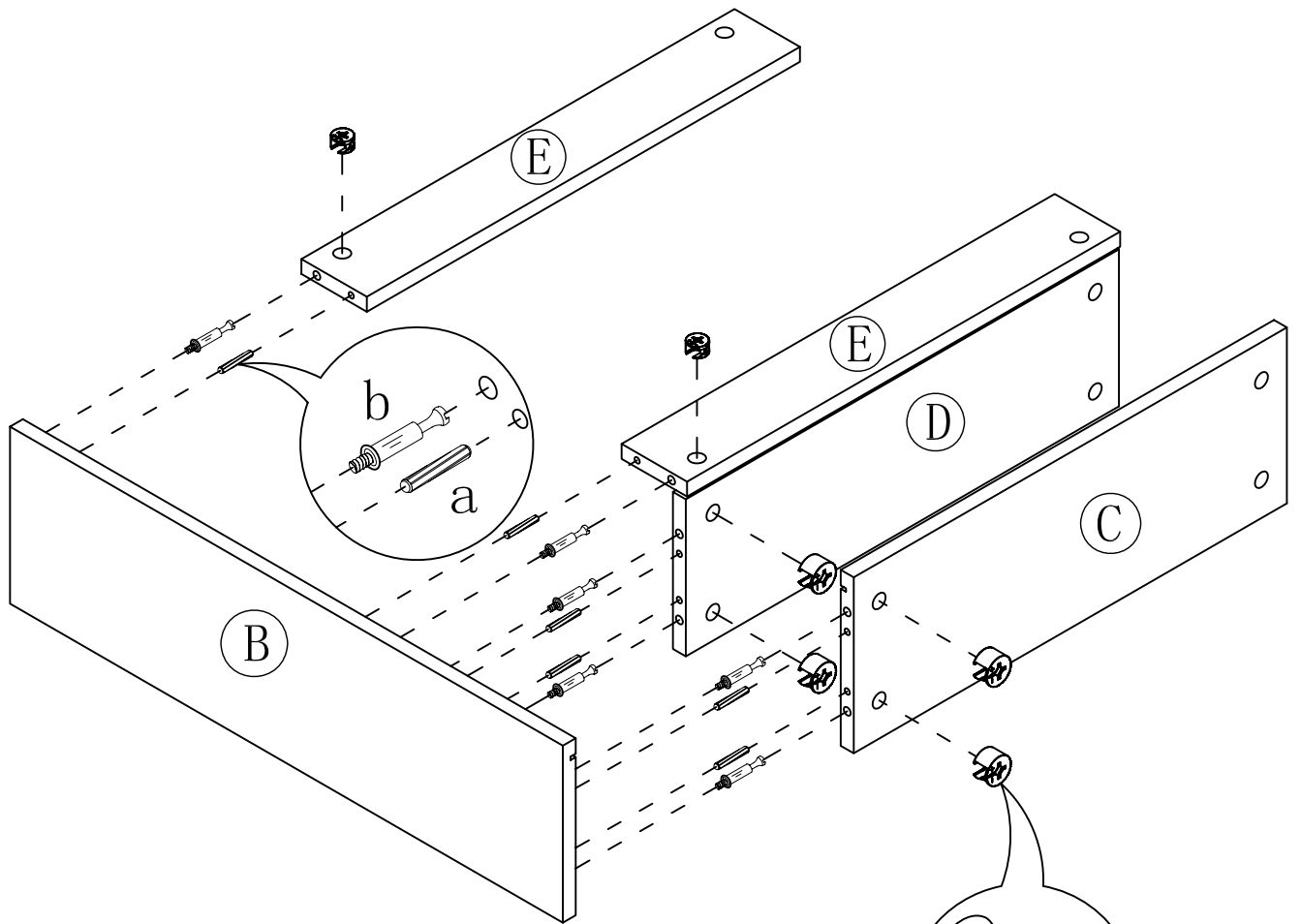


i. "L" WRENCH 1PC

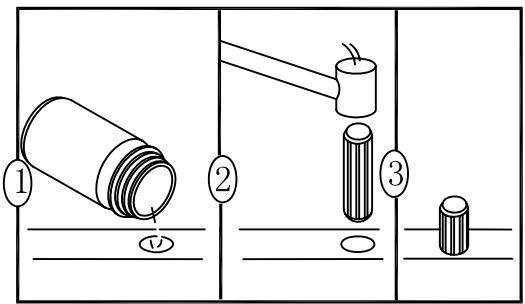
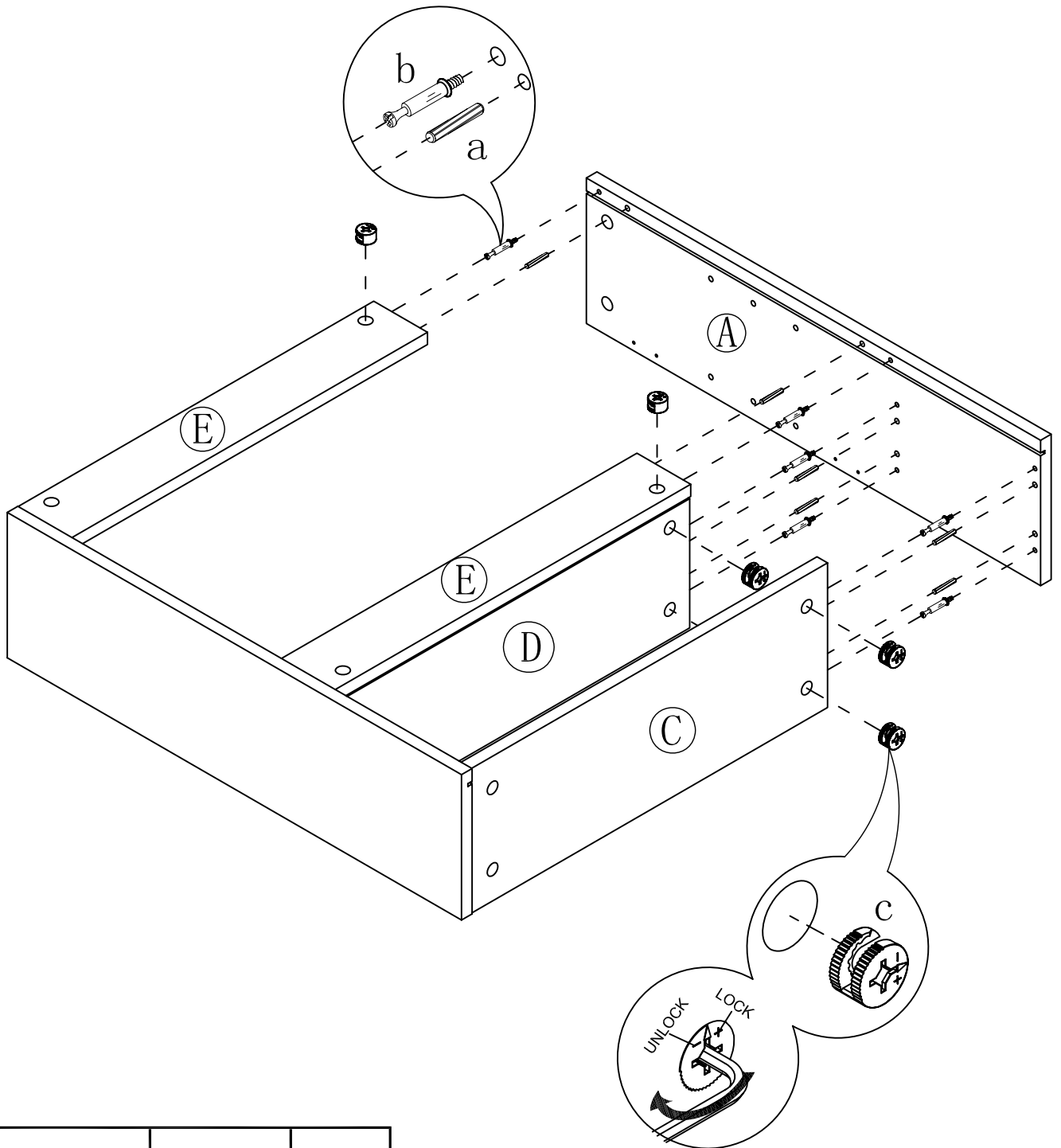


j. GLUE 1PC

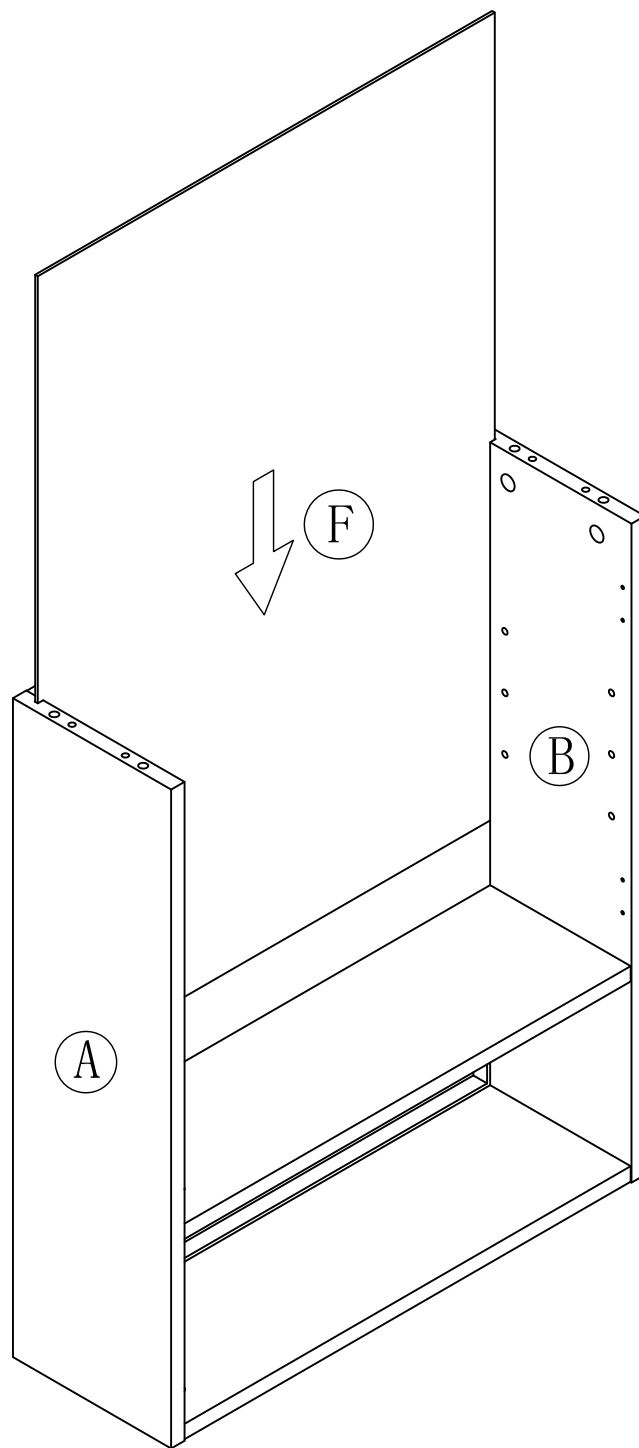
STEP 1



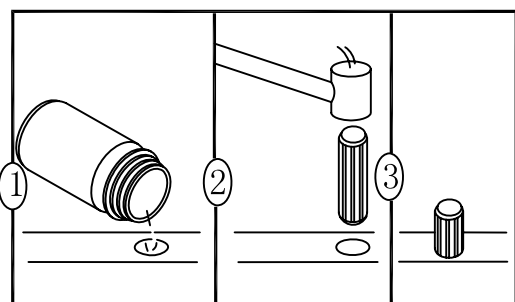
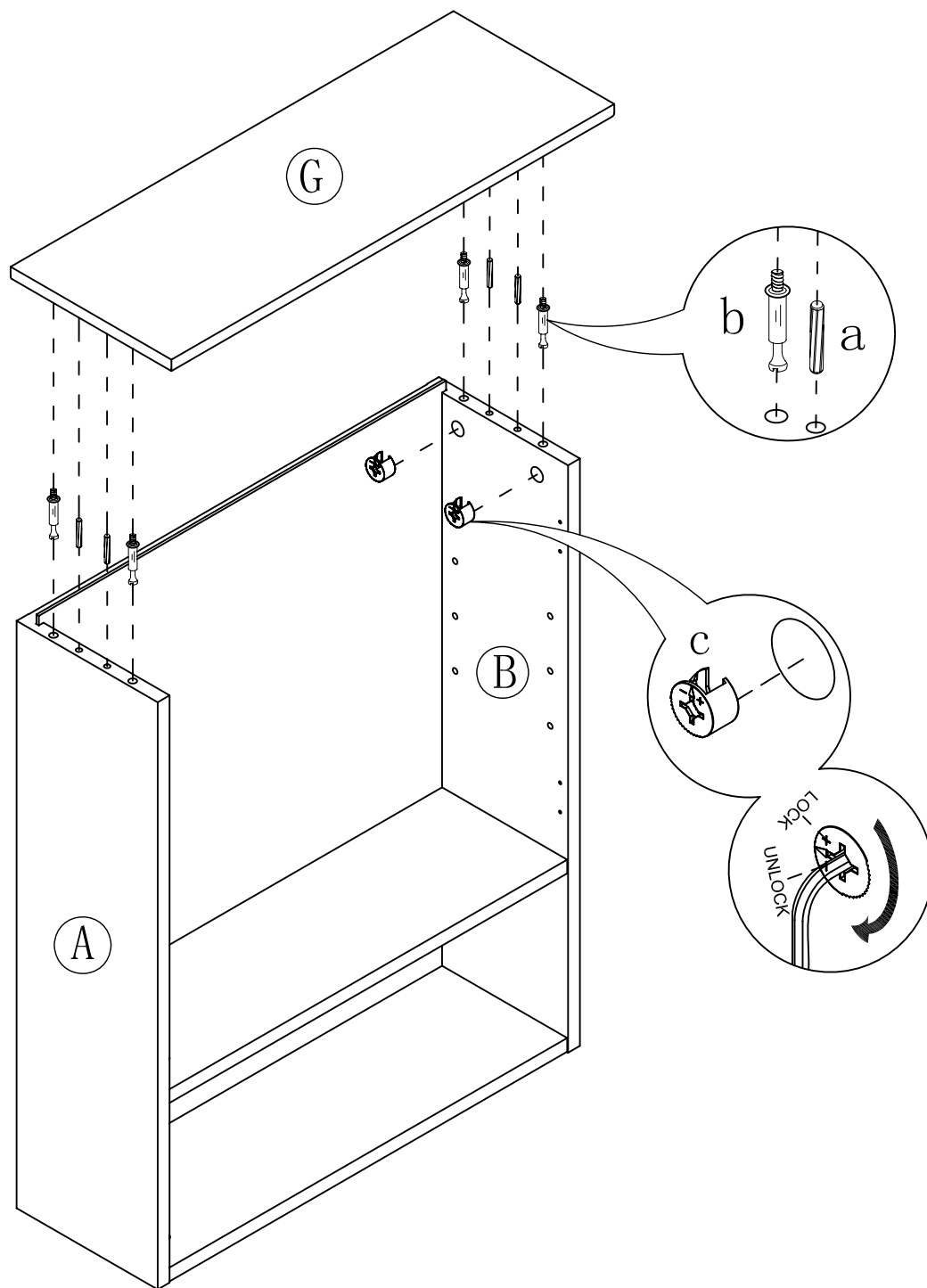
STEP 2



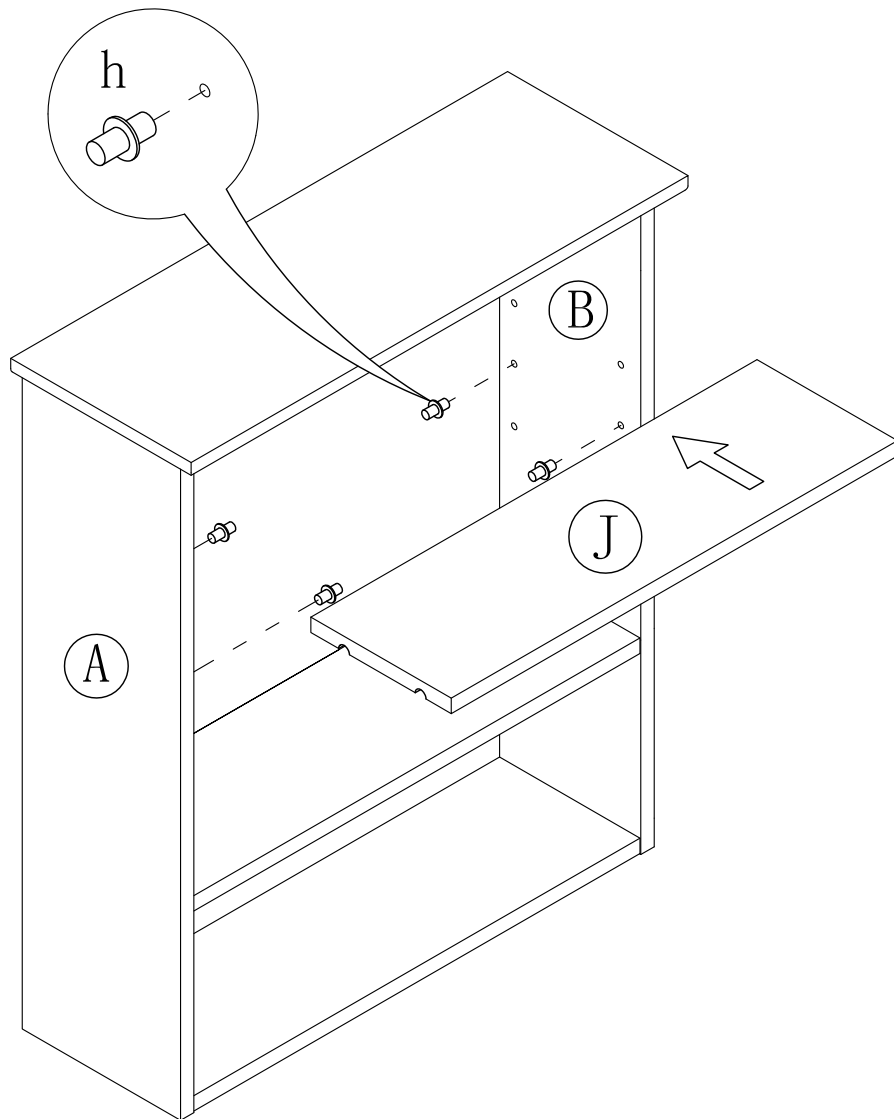
STEP 3



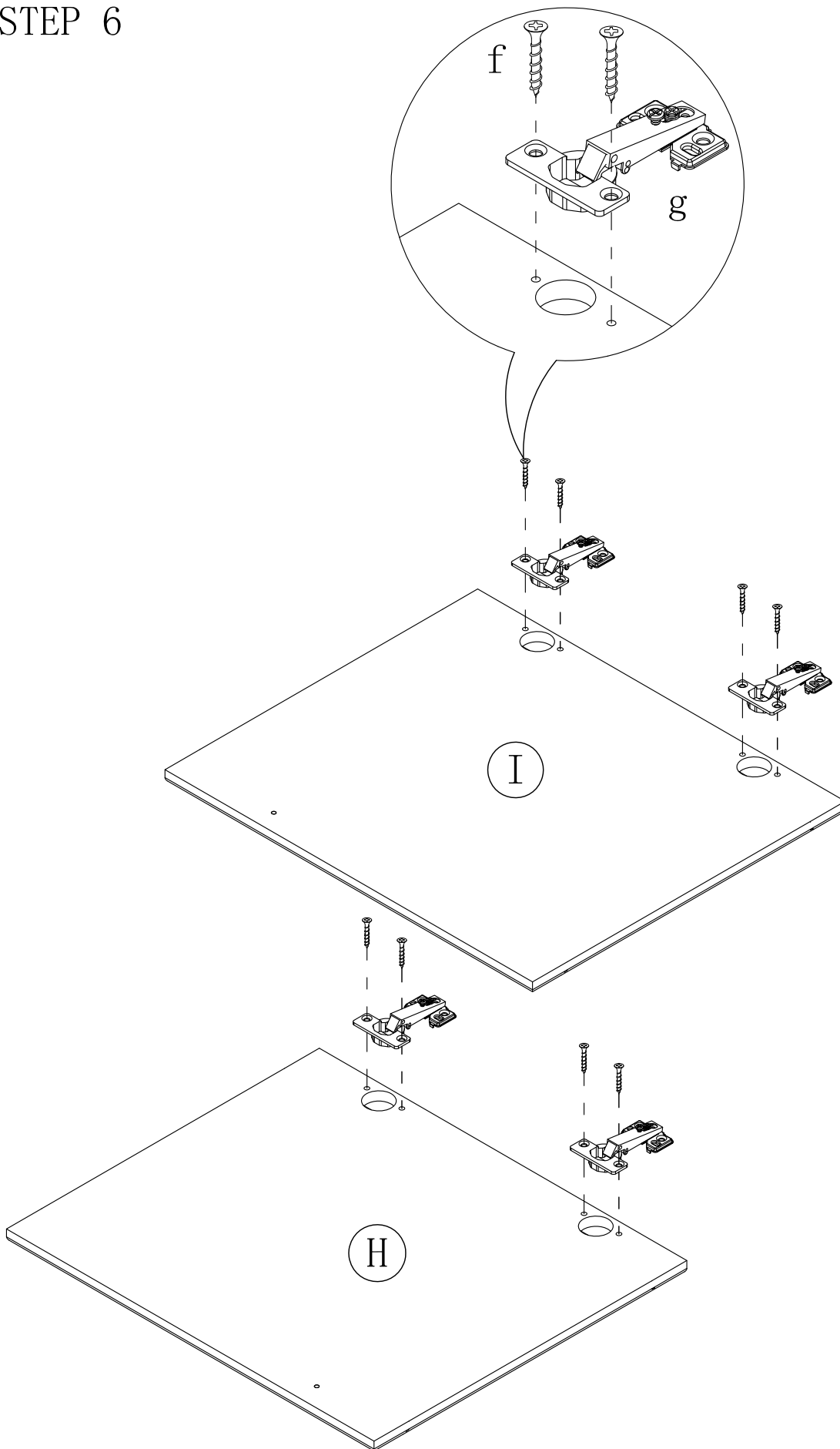
STEP 4



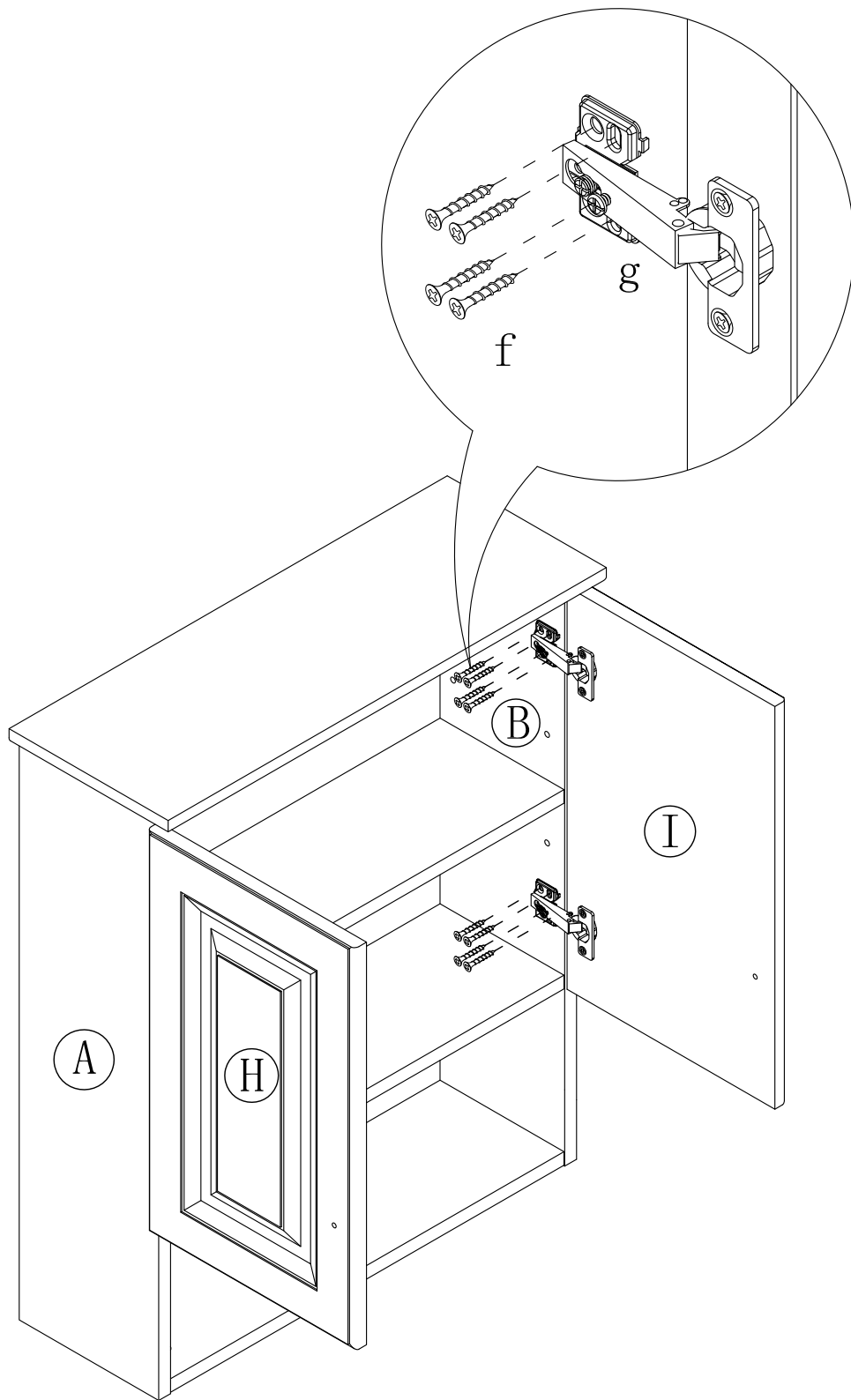
STEP 5



STEP 6



STEP 7



STEP 8

