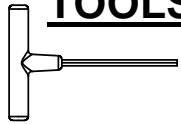


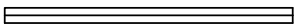
Model: R100

- \_\_\_ (1) Hardware pack
- \_\_\_ (2) Sideframes
- \_\_\_ (2) Rocker bottoms
- \_\_\_ (1) Back
- \_\_\_ (1) Seat
- \_\_\_ (1) Long brace
- \_\_\_ (1) Short brace
- \_\_\_ (1) Head piece

## TOOLS NEEDED



4MM HEX KEY, ALLEN, T-HANDLE  
INCLUDED

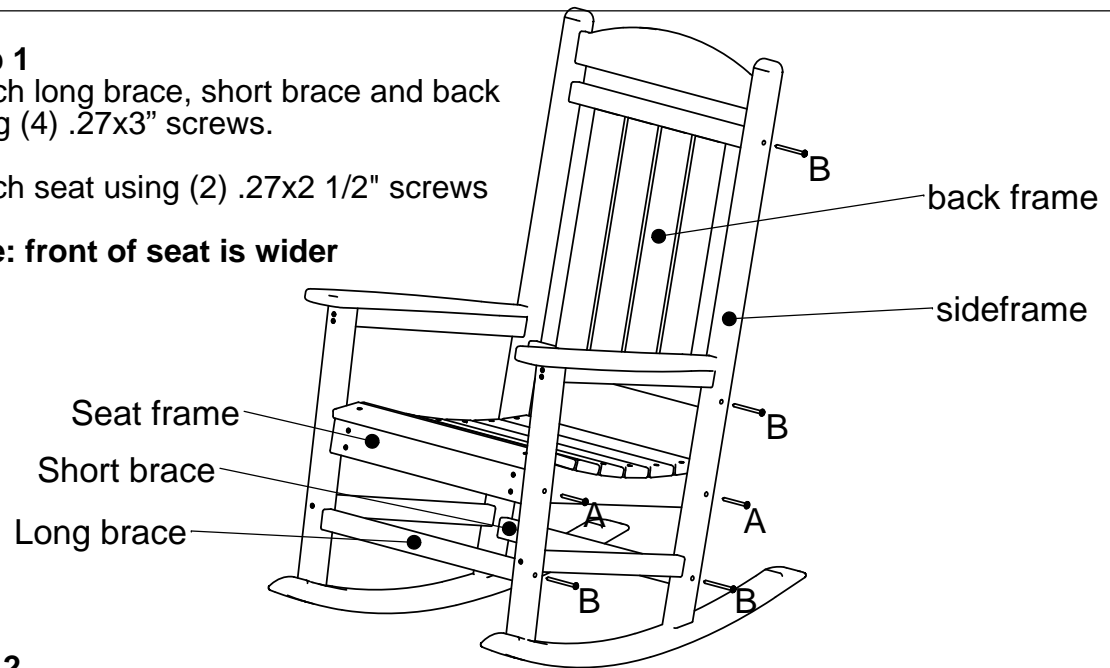


4MM HEX KEY, SHORT, FOR DRILL  
INCLUDED

**Step 1**  
Attach long brace, short brace and back using (4) .27x3" screws.

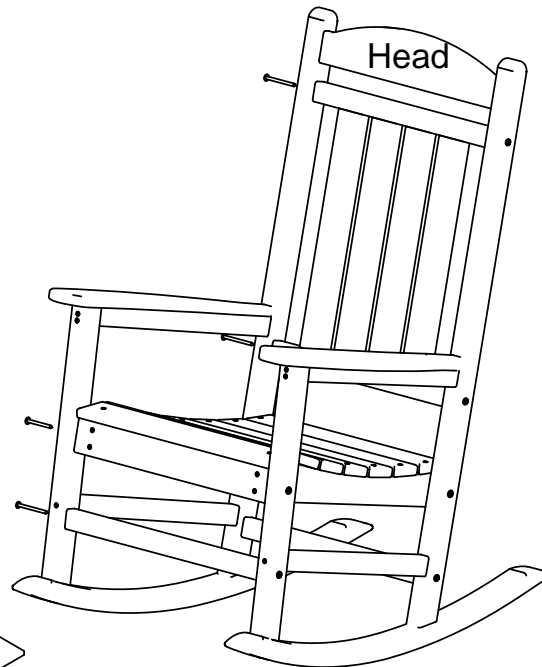
Attach seat using (2) .27x2 1/2" screws

**Note: front of seat is wider**

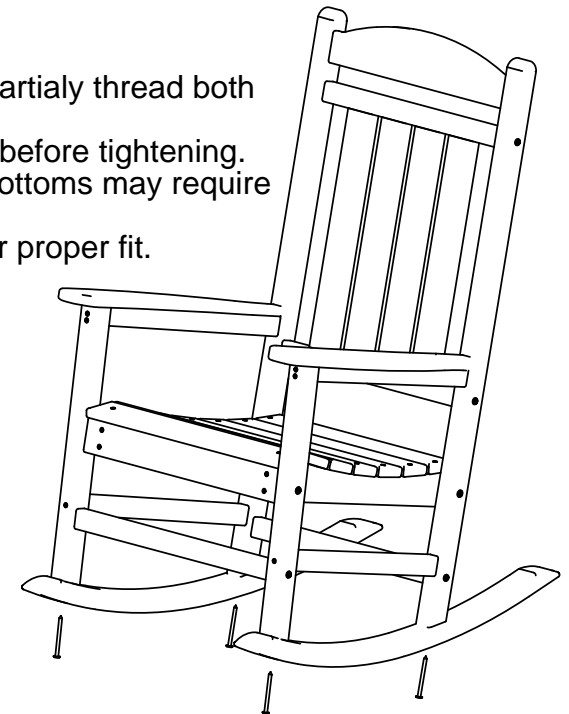


**Step 2**  
Insert head piece into top of post  
Repeat step 1 on other side

**Step 3**  
Attach rocker bottom with (4) 14x3" screws



**NOTE:** Partially thread both screws into post before tightening. Rocker bottoms may require some flexing for proper fit.



Qty.	Description
4	A - .27 X 2-1/2 SOCKET WAFER A
12	B - .27 X 3 SOCKET WAFER A

