



OPERATOR'S MANUAL

MANUEL D'UTILISATION MANUAL DEL OPERADOR

7-1/4 in. SLIDING COMPOUND MITER SAW WITH LED

SCIE À ONGLETS COMBINÉS COULISSANTE AVEC DEL DE 184 mm (7-1/4 po)

SIERRA INGLETEADORA COMPUESTA DESLIZANTE CON DIODO DE 184 mm (7-1/4 pulg.)

TSS701

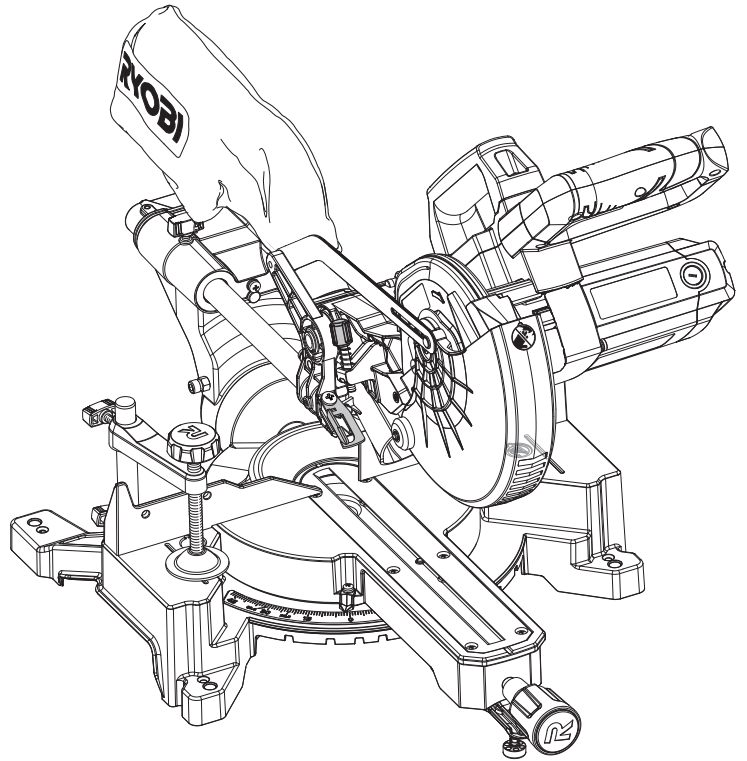


TABLE OF CONTENTS

- General Safety Rules.....2-3
- Specific Safety Rules3-4
- Symbols.....5
- Electrical.....6
- Glossary of Terms.....7
- Features.....8-10
- Tools Needed11
- Loose Parts List.....11
- Assembly.....12-18
- Operation.....19-29
- Adjustments30
- Maintenance.....31
- Parts Ordering / Service.....Back page

TABLE DES MATIÈRES

- Règles de sécurité générales2-3
- Règles de sécurité particulières3-4
- Symboles.....5
- Caractéristiques électriques.....6
- Glossaire.....7
- Caractéristiques8-10
- Outils nécessaires11
- Pièces détachées11
- Assemblage.....12-18
- Utilisation.....19-29
- Réglages.....30
- Entretien31
- Commande de pièces/
réparation.....página posterior

ÍNDICE DE CONTENIDO

- Reglas de seguridad generales2-3
- Reglas de seguridad específicas3-4
- Símbolos5
- Aspectos eléctricos.....6
- Glosario de términos7
- Características8-10
- Herramientas necesarias.....11
- Lista de piezas sueltas11
- Armado.....12-18
- Funcionamiento.....19-29
- Ajustes.....30
- Mantenimiento.....31
- Pedidos de piezas/
servicio.....página posterior

⚠ WARNING: To reduce the risk of injury, the user must read and understand the operator's manual before using this product.

⚠ AVERTISSEMENT : Pour réduire les risques de blessures, l'utilisateur doit lire et veiller à bien comprendre le manuel d'utilisation avant d'employer ce produit.

⚠ ADVERTENCIA: Para reducir el riesgo de lesiones, el usuario debe leer y comprender el manual del operador antes de usar este producto.

**SAVE THIS MANUAL FOR
FUTURE REFERENCE**

**CONSERVER CE MANUEL
POUR FUTURE RÉFÉRENCE**

**GUARDE ESTE MANUAL
PARA FUTURAS CONSULTAS**

GENERAL SAFETY RULES



WARNING:

Read all safety warnings and all instructions. Failure to follow the warnings and instructions may result in electric shock, fire and/or serious injury.

READ ALL INSTRUCTIONS

- **KNOW YOUR POWER TOOL.** Read the operator's manual carefully. Learn the applications and limitations as well as the specific potential hazards related to this tool.
- **GUARD AGAINST ELECTRICAL SHOCK BY PREVENTING BODY CONTACT WITH GROUNDED SURFACES.** For example: pipes, radiators, ranges, refrigerator enclosures.
- **KEEP GUARDS IN PLACE** and in good working order.
- **REMOVE ADJUSTING KEYS AND WRENCHES.** Form habit of checking to see that keys and adjusting wrenches are removed from tool before turning it on.
- **KEEP WORK AREA CLEAN.** Cluttered areas and benches invite accidents. **DO NOT** leave tools or pieces of wood on the tool while it is in operation.
- **DO NOT USE IN DANGEROUS ENVIRONMENTS.** Do not use power tools in damp or wet locations or expose to rain. Keep the work area well lit.
- **KEEP CHILDREN AND VISITORS AWAY.** All visitors should wear safety glasses and be kept a safe distance from work area. Do not let visitors contact tool or extension cord while operating.
- **MAKE WORKSHOP CHILDPROOF** with padlocks, master switches, or by removing starter keys.
- **DON'T FORCE THE TOOL.** It will do the job better and safer at the feed rate for which it was designed.
- **USE THE RIGHT TOOL.** Do not force the tool or attachment to do a job for which it was not designed.
- **USE THE PROPER EXTENSION CORD.** Make sure your extension cord is in good condition. Use only a cord heavy enough to carry the current your product will draw. An undersized cord will cause a drop in line voltage resulting in loss of power and overheating. A wire gauge size (A.W.G.) of at least **14** is recommended for an extension cord 25 feet or less in length. If in doubt, use the next heavier gauge. The smaller the gauge number, the heavier the cord.
- **DRESS PROPERLY.** Do not wear loose clothing, gloves, neckties, or jewelry. They can get caught and draw you into moving parts. Also wear protective hair covering to contain long hair.
- **ALWAYS WEAR EYE PROTECTION WITH SIDE SHIELDS WHICH IS MARKED TO COMPLY WITH ANSI Z87.1 WHEN USING THIS PRODUCT.** Failure to do so could result in objects being thrown into your eyes, resulting in possible serious injury.
- **SECURE WORK.** Use clamps or a vise to hold work when practical, it is safer than using your hand and frees both hands to operate the tool.
- **DO NOT OVERREACH.** Keep proper footing and balance at all times.
- **MAINTAIN TOOLS WITH CARE.** Keep tools sharp and clean for better and safer performance. Follow instructions for lubricating and changing accessories.
- **DISCONNECT TOOLS.** When not in use, before servicing, or when changing attachments, blades, bits, cutters, etc., all tools should be disconnected from power source.
- **AVOID ACCIDENTAL STARTING.** Be sure switch is off when plugging in any tool.
- **USE RECOMMENDED ACCESSORIES.** Consult the operator's manual for recommended accessories. The use of improper accessories may result in injury.
- **NEVER STAND ON TOOL.** Serious injury could occur if the tool is tipped or if the cutting tool is unintentionally contacted.
- **CHECK DAMAGED PARTS.** Before further use of the tool, a guard or other part that is damaged should be carefully checked to determine that it will operate properly and perform its intended function. Check for alignment of moving parts, binding of moving parts, breakage of parts, mounting and any other conditions that may affect its operation. A guard or other part that is damaged must be properly repaired or replaced by an authorized service center to avoid risk of personal injury.
- **USE THE RIGHT DIRECTION OF FEED.** Feed work into a blade, cutter, or sanding spindle against the direction or rotation of the blade, cutter, or sanding spindle only.
- **NEVER LEAVE TOOL RUNNING UNATTENDED. TURN THE POWER OFF.** Don't leave tool until it comes to a complete stop.
- **PROTECT YOUR LUNGS.** Wear a face or dust mask if the cutting operation is dusty.
- **PROTECT YOUR HEARING.** Wear hearing protection during extended periods of operation.
- **DO NOT ABUSE CORD.** Never carry tool by the cord or yank it to disconnect from receptacle. Keep cord from heat, oil, and sharp edges.
- **USE OUTDOOR EXTENSION CORDS.** When tool is used outdoors, use only extension cords with approved ground connection that are intended for use outdoors and so marked.
- **KEEP BLADES CLEAN, SHARP, AND WITH SUFFICIENT SET.** Sharp blades minimize stalling and kickback.
- **BLADE COASTS AFTER BEING TURNED OFF.**
- **NEVER USE IN AN EXPLOSIVE ATMOSPHERE.** Normal sparking of the motor could ignite fumes.

GENERAL SAFETY RULES

- **INSPECT TOOL CORDS PERIODICALLY.** If damaged, have repaired by a qualified service technician at an authorized service facility. Repair or replace a damaged or worn cord immediately. Stay constantly aware of cord location and keep it well away from the rotating blade.
- **INSPECT EXTENSION CORDS PERIODICALLY** and replace if damaged.
- **POLARIZED PLUGS.** To reduce the risk of electric shock, this tool has a polarized plug (one blade is wider than the other). This plug will fit in a polarized outlet only one way. If the plug does not fit fully in the outlet, reverse the plug. If it still does not fit, contact a qualified electrician to install the proper outlet. Do not change the plug in any way.
- **KEEP TOOL DRY, CLEAN, AND FREE FROM OIL AND GREASE.** Always use a clean cloth when cleaning. Never use brake fluids, gasoline, petroleum-based products, or any solvents to clean tool.
- **STAY ALERT AND EXERCISE CONTROL.** Watch what you are doing and use common sense. Do not operate tool when you are tired. Do not rush.
- **DO NOT USE TOOL IF SWITCH DOES NOT TURN IT ON AND OFF.** Have defective switches replaced by an authorized service center.
- **USE ONLY CORRECT BLADES.** Do not use blades with incorrect size holes. Never use blade washers or blade bolts that are defective or incorrect. The maximum blade capacity of your saw is 7-1/4 in.
- **BEFORE MAKING A CUT, BE SURE ALL ADJUSTMENTS ARE SECURE.**
- **BE SURE BLADE PATH IS FREE OF NAILS.** Inspect for and remove all nails from lumber before cutting.
- **NEVER TOUCH BLADE** or other moving parts during use.
- **NEVER START A TOOL WHEN ANY ROTATING COMPONENT IS IN CONTACT WITH THE WORKPIECE.**
- **DO NOT OPERATE A TOOL WHILE UNDER THE INFLUENCE OF DRUGS, ALCOHOL, OR ANY MEDICATION.**
- **WHEN SERVICING** use only identical replacement parts. Use of any other parts may create a hazard or cause product damage.
- **USE ONLY RECOMMENDED ACCESSORIES** listed in this manual or addendums. Use of accessories that are not listed may cause the risk of personal injury. Instructions for safe use of accessories are included with the accessory.
- **DOUBLE CHECK ALL SETUPS.** Make sure blade is tight and not making contact with saw or workpiece before connecting to power supply.

SPECIFIC SAFETY RULES




- **FIRMLY CLAMP OR BOLT** the tool to a workbench or table at approximately hip height.
- **KEEP HANDS AWAY FROM CUTTING AREA.** Do not reach underneath work or in blade cutting path with hands and fingers for any reason. Always turn the power off.
- **ALWAYS SUPPORT LONG WORKPIECES** while cutting to minimize risk of blade pinching and kickback. Saw may slip, walk or slide while cutting long or heavy boards.
- **ALWAYS USE A CLAMP** to secure the workpiece when possible.
- **BE SURE THE BLADE CLEARS THE WORKPIECE.** Never start the saw with the blade touching the workpiece. Allow motor to come up to full speed before starting cut.
- **MAKE SURE THE MITER TABLE AND SAW ARM (BEVEL FUNCTION) ARE LOCKED IN POSITION BEFORE OPERATING YOUR SAW.** Lock the miter table by securely tightening the miter lock handle. Lock the saw arm (bevel function) by securely tightening the bevel lock knob.
- **NEVER USE A LENGTH STOP ON THE FREE SCRAP END OF A CLAMPED WORKPIECE. NEVER** hold onto or bind the free scrap end of the workpiece in any operation. If a work clamp and length stop are used together, they must both be installed on the same side of the saw table to prevent the saw from catching the loose end and kicking up.
- **NEVER** cut more than one piece at a time. **DO NOT STACK** more than one workpiece on the saw table at a time.
- **NEVER PERFORM ANY OPERATION FREEHAND.** Always place the workpiece to be cut on the miter table and position it firmly against the fence as a backstop. Always use the fence.
- **NEVER** hand hold a workpiece that is too small to be clamped. Keep hands clear of the cutting area.
- **NEVER** reach behind, under, or within three inches of the blade and its cutting path with hands and fingers for any reason.

SPECIFIC SAFETY RULES







- **NEVER** reach to pick up a workpiece, a piece of scrap, or anything else that is in or near the cutting path of the blade.
- **NEVER** move the workpiece or make adjustment to any cutting angle while the saw is running and the blade is rotating. Any slip can result in contact with the blade causing serious personal injury.
- **AVOID AWKWARD OPERATIONS AND HAND POSITIONS** where a sudden slip could cause your hand to move into the blade. **ALWAYS** make sure you have good balance. **NEVER** operate the miter saw on the floor or in a crouched position.
- **NEVER** stand or have any part of the body in line with the path of the saw blade.
- **ALWAYS** release the power switch and allow the saw blade to stop rotating before raising it out of the workpiece.
- **DO NOT TURN THE MOTOR SWITCH ON AND OFF RAPIDLY.** This could cause the saw blade to loosen and could create a hazard. Should this ever occur, stand clear and allow the saw blade to come to a complete stop. Disconnect your saw from the power supply and securely retighten the blade bolt.
- **IF ANY PART OF THIS MITER SAW IS MISSING** or should break, bend, or fail in any way, or should any electrical component fail to perform properly, shut off the power switch, remove the miter saw plug from the power source and have damaged, missing, or failed parts replaced before resuming operation.
- **ALWAYS STAY ALERT!** Do not allow familiarity (gained from frequent use of the saw) to cause a careless mistake. **ALWAYS REMEMBER** that a careless fraction of a second is sufficient to inflict severe injury.
- **IF THE POWER SUPPLY CORD IS DAMAGED,** it must be replaced only by the manufacturer or by an authorized service center to avoid risk.
- **MAKE SURE WORK AREA HAS AMPLE LIGHTING** to see the work and that no obstructions will interfere with safe operation **BEFORE** performing any work using the saw.
- **ALWAYS TURN OFF THE SAW** before disconnecting it to avoid accidental starting when reconnecting to power supply. **NEVER** leave the saw unattended while connected to a power source.
- **RELEASE THE SWITCH TRIGGER** and allow the saw blade to stop rotating before raising the blade out of workpiece.
- **THIS TOOL** should have the following markings:
 - a) Wear eye protection.
 - b) Keep hands out of path of saw blade.
 - c) Do not operate saw without guards in place.
 - d) Do not perform any operation freehand.
 - e) Never reach around saw blade.
 - f) Turn off tool and wait for saw blade to stop before moving workpiece or changing settings.
 - g) Disconnect power (or unplug tool as applicable) before changing blade or servicing.
 - h) No load speed.
- **ALWAYS MAKE SURE THE SAW BLADE HAS CLEARANCE OF ALL OBSTRUCTIONS BEFORE TURNING THE SAW ON.**
- **MAKE SLIDING CUTS** by pushing the saw blade down on top of the workpiece then sliding it back toward the rear of the saw. **DO NOT** pull the saw toward you while making a cut.
- **ALWAYS** carry the tool only by the carrying handle.
- **USE THIS SAW TO CUT WOOD, WOOD PRODUCTS, AND SOME PLASTICS ONLY. DO NOT CUT METALS, CERAMICS OR MASONRY PRODUCTS.**
- **THIS SAW CAN TIP OVER** if the saw head is released suddenly and the saw is not secured to a work surface. **ALWAYS** secure this saw to a stable work surface before any use to avoid serious personal injury.
- **SAVE THESE INSTRUCTIONS.** Refer to them frequently and use to instruct other users. If you loan someone this tool, loan them these instructions also.

SYMBOLS

The following signal words and meanings are intended to explain the levels of risk associated with this product.

| SYMBOL | SIGNAL | MEANING |
|---|-----------------|--|
|  | DANGER: | Indicates a hazardous situation, which, if not avoided, will result in death or serious injury. |
|  | WARNING: | Indicates a hazardous situation, which, if not avoided, could result in death or serious injury. |
|  | CAUTION: | Indicates a hazardous situation, that, if not avoided, may result in minor or moderate injury. |
| | NOTICE: | (Without Safety Alert Symbol) Indicates information considered important, but not related to a potential injury (e.g. messages relating to property damage). |

Some of the following symbols may be used on this tool. Please study them and learn their meaning. Proper interpretation of these symbols will allow you to operate the tool better and safer.

| SYMBOL | NAME | DESIGNATION/EXPLANATION |
|---|------------------------|--|
|  | Safety Alert | Indicates a potential personal injury hazard. |
|  | Read Operator's Manual | To reduce the risk of injury, user must read and understand operator's manual before using this product. |
|  | Eye Protection | Always wear eye protection with side shields marked to comply with ANSI Z87.1. |
|  | No Hands Symbol | Failure to keep your hands away from the blade will result in serious personal injury. |
|  | Wet Conditions Alert | Do not expose to rain or use in damp locations. |
| V | Volts | Voltage |
| A | Amperes | Current |
| Hz | Hertz | Frequency (cycles per second) |
| min | Minutes | Time |
| ~ | Alternating Current | Type of current |
| n_0 | No Load Speed | Rotational speed, at no load |
|  | Class II Construction | Double-insulated construction |
| .../min | Per Minute | Revolutions, strokes, surface speed, orbits, etc., per minute |

ELECTRICAL

DOUBLE INSULATION

Double insulation is a concept in safety in electric power tools, which eliminates the need for the usual three-wire grounded power cord. All exposed metal parts are isolated from the internal metal motor components with protecting insulation. Double insulated tools do not need to be grounded.



WARNING:

The double insulated system is intended to protect the user from shock resulting from a break in the tool's internal wiring. Observe all normal safety precautions to avoid electrical shock.

NOTE: Servicing of a product with double insulation requires extreme care and knowledge of the system and should be performed only by a qualified service technician. For service, we suggest you return the tool to your nearest authorized service center for repair. Always use original factory replacement parts when servicing.

ELECTRICAL CONNECTION

This tool has a precision-built electric motor. It should be connected to a **power supply that is 120 V, AC only (normal household current), 60 Hz**. Do not operate this tool on direct current (DC). A substantial voltage drop will cause a loss of power and the motor will overheat. If the tool does not operate when plugged into an outlet, double check the power supply.

EXTENSION CORDS

When using a power tool at a considerable distance from a power source, be sure to use an extension cord that has the capacity to handle the current the product will draw. An undersized cord will cause a drop in line voltage, resulting in overheating and loss of power. Use the chart to determine the minimum wire size required in an extension cord. Only round jacketed cords listed by Underwriter's Laboratories (UL) should be used.

When working outdoors with a product, use an extension cord that is designed for outside use. This type of cord is designated with "WA" or "W" on the cord's jacket.

Before using any extension cord, inspect it for loose or exposed wires and cut or worn insulation.

**Ampere rating (on product data plate)

| Cord Length | Wire Size (A.W.G.) | | | | | |
|-------------|--------------------|---------|---------|---------|----------|-----------|
| | 0-2.0 | 2.1-3.4 | 3.5-5.0 | 5.1-7.0 | 7.1-12.0 | 12.1-16.0 |
| 25' | 16 | 16 | 16 | 16 | 14 | 14 |
| 50' | 16 | 16 | 16 | 14 | 14 | 12 |
| 100' | 16 | 16 | 14 | 12 | 10 | — |

**Used on 12 gauge - 20 amp circuit.

NOTE: AWG = American Wire Gauge



WARNING:

Keep the extension cord clear of the working area. Position the cord so that it will not get caught on lumber, tools, or other obstructions while you are working with a power tool. Failure to do so can result in serious personal injury.



WARNING:

Check extension cords before each use. If damaged replace immediately. Never use tool with a damaged cord since touching the damaged area could cause electrical shock resulting in serious injury.

GLOSSARY OF TERMS

Anti-Kickback Pawls (radial arm and table saws)

A device which, when properly installed and maintained, is designed to stop the workpiece from being kicked back toward the front of the saw during a ripping operation.

Arbor

The shaft on which a blade or cutting tool is mounted.

Bevel Cut

A cutting operation made with the blade at any angle other than 90° to the table surface.

Chamfer

A cut removing a wedge from a block so the end (or part of the end) is angled rather than at 90°.

Compound Cut

A cross cut made with both a miter and a bevel angle.

Cross Cut

A cutting or shaping operation made across the grain or the width of the workpiece.

Cutter Head (planers and jointer planers)

A rotating cutterhead with adjustable blades or knives. The blades or knives remove material from the workpiece.

Dado Cut (table saws and compound sliding miter saws)

A non-through cut which produces a square, three-sided notch or trough in the workpiece.

Featherboard (table saws)

A device used to help control the workpiece by guiding it securely against the table or fence during any ripping operation.

FPM or SPM

Feet per minute (or strokes per minute), used in reference to blade movement.

Freehand

Performing a cut without the workpiece being guided by a fence, miter fence, or other aids.

Gum

A sticky, sap-based residue from wood products.

Heel

Alignment of the blade to the fence.

Kerf

The material removed by the blade in a through cut or the slot produced by the blade in a non-through or partial cut.

Kickback

A hazard that can occur when the blade binds or stalls, throwing the workpiece in the direction of the spinning blade.

Miter Cut

A cutting operation made with the workpiece at any angle to the blade other than 90°.

Non-Through Cuts (table saws and compound sliding miter saws)

Any cutting operation where the blade does not extend completely through the thickness of the workpiece. This is a cut where the blade will not cut the workpiece into two pieces.

Pilot Hole (drill presses and scroll saws)

A small hole drilled in a workpiece that serves as a guide for drilling large holes accurately or for insertion of a scroll saw blade.

Push Blocks (jointer planers)

Device used to feed the workpiece over the jointer planer cutterhead during any operation. This aid helps keep the operator's hands well away from the cutterhead.

Push Blocks and Push Sticks (table saws)

Devices used to feed the workpiece through the saw blade during cutting operations. When making a narrow rip cut without a jig or similar cutting aid, always use a push stick (not a push block). A push block can be used for narrow ripping operations, if a jig or similar cutting aid is used. These aids help keep the operator's hands well away from the blade.

Rabbet

A non-through cut positioned on the end or edge of the workpiece which produces a square, two-sided notch or trough in the workpiece.

Resaw (table saws and band saws)

A cutting operation to reduce the thickness of the workpiece to make thinner pieces.

Resin

A sticky, sap-based substance that has hardened.

Revolutions Per Minute (RPM)

The number of turns completed by a spinning object in one minute.

Ripping or Rip Cut (table saws)

A cutting operation along the length of the workpiece and typically in the direction of the grain.

Riving Knife/Spreader/Splitter (table saws)

A metal piece, slightly thinner than the blade, which helps keep the kerf open and also helps to prevent kickback.

Saw Blade Path

The area over, under, behind, or in front of the blade. As it applies to the workpiece, that area which will be or has been cut by the blade.

Snipe (planers)

Depression made at either end of a workpiece by cutter blades when the workpiece is not properly supported.

Taper Cut

A cut where the material being cut has a different width at the beginning of the cut from the end.

Through Sawing

Any cutting operation where the blade extends completely through the thickness of the workpiece. This type of cut will separate a single workpiece into two pieces.

Workpiece or Material

The item on which the operation is being done.

Worktable

Surface where the workpiece rests while performing a cutting, drilling, planing, or sanding operation.

FEATURES

PRODUCT SPECIFICATIONS

Arbor Hole 5/8 in.
 Blade Diameter 7-1/4 in.
 No Load Speed 5,350 r/min. (RPM)
 Input 120 V, AC only, 60 Hz, 10 A
 Cutting Capacity with Miter at 0°/Bevel 0°:
 Maximum nominal lumber sizes 2 in. x 10 in.

Cutting Capacity with Miter at 45°/Bevel 0°:
 Maximum nominal lumber sizes 2 in. x 6 in.
 Cutting Capacity with Miter at 0°/Bevel 45°:
 Maximum nominal lumber sizes 2 in. x 10 in.
 Cutting Capacity with Miter at 45°/Bevel 45°:
 Maximum nominal lumber sizes 2 in. x 6 in.

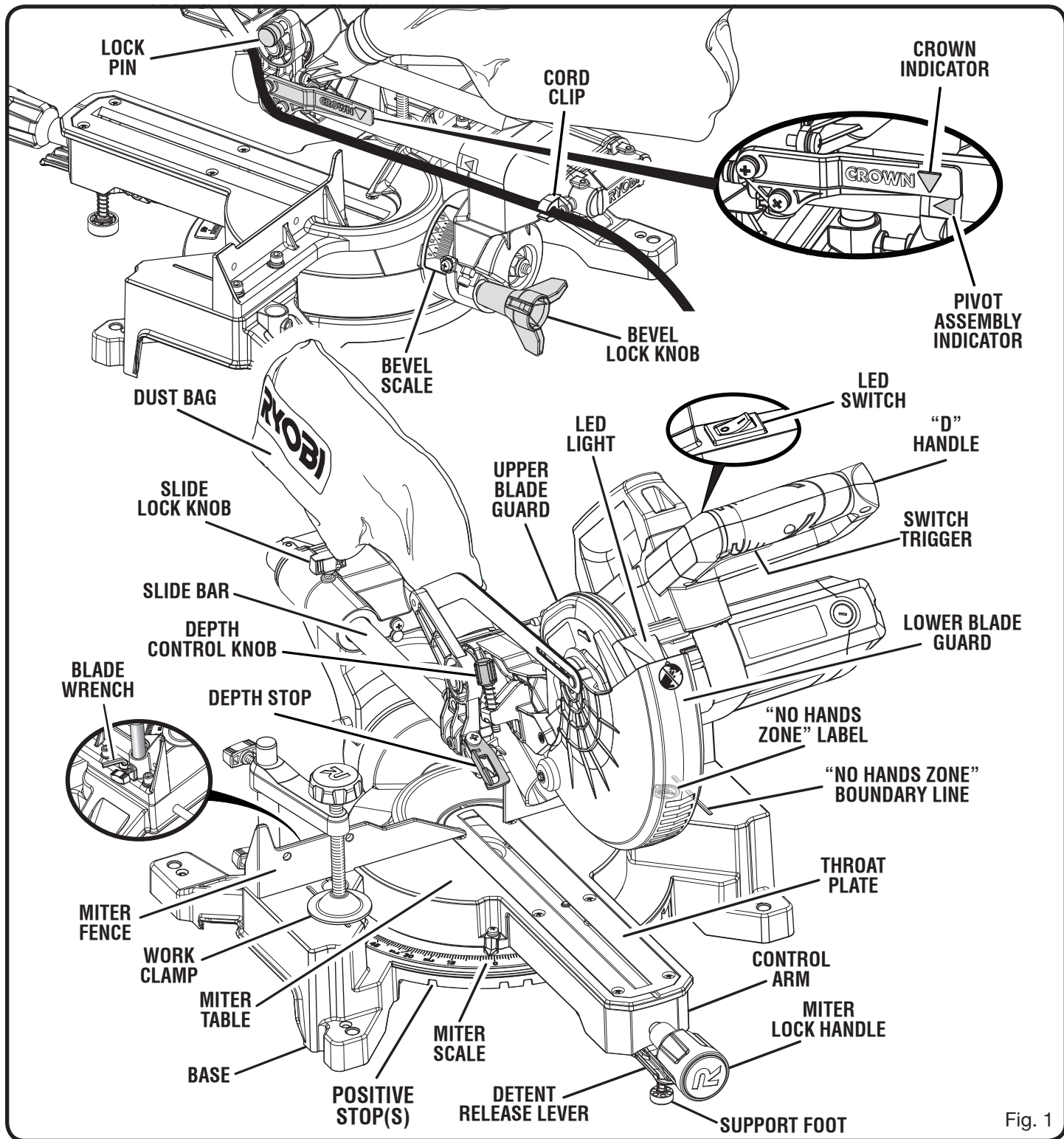


Fig. 1

FEATURES

KNOW YOUR COMPOUND MITER SAW

See Figure 1.

The safe use of this product requires an understanding of the information on the tool and in this operator's manual as well as a knowledge of the project you are attempting. Before use of this product, familiarize yourself with all operating features and safety rules.

7-1/4 in. BLADE

A 7-1/4 in. blade is included with the compound miter saw. It will cut nominal materials up to 2 in. thick by 10 in. wide, depending upon the angle at which the cut is being made.

BLADE WRENCH STORAGE

See Figure 1.

A blade wrench is packed with the saw. One end of the wrench is a phillips screwdriver and the other end is a hex key. Use the hex key end when installing or removing blade and the phillips end when removing or loosening screws. A storage area for the blade wrench is located in the saw's base.

BEVEL LOCK KNOB

The bevel lock knob securely locks your compound miter saw at desired bevel angles. A positive stop adjustment screw has been provided on each side of the saw arm. These adjustment screws are for making fine adjustments at 0° and 45°.

CARRYING HANDLE

See Figure 2.

For convenience when carrying or transporting the miter saw from one place to another, a carrying handle has been provided on top of the saw arm. To transport, turn off and unplug the saw, then lower the saw arm and lock it in the down position by depressing the lock pin towards the saw housing.

NOTE: DO NOT perform any cutting operation with the saw in the locked position.

CROWN INDICATOR

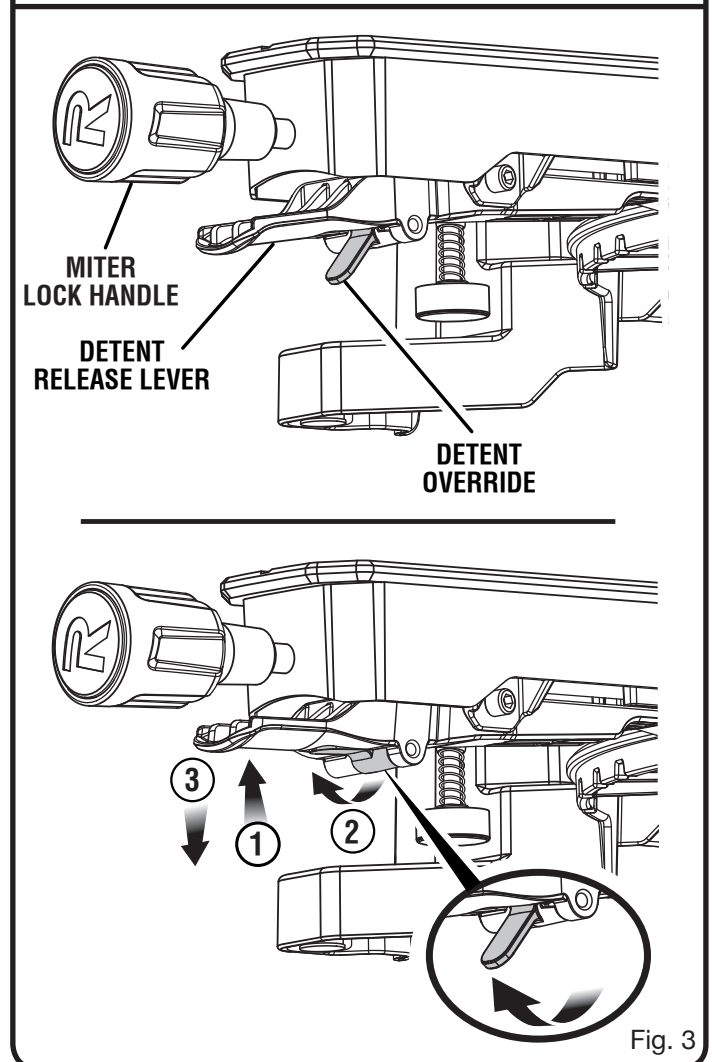
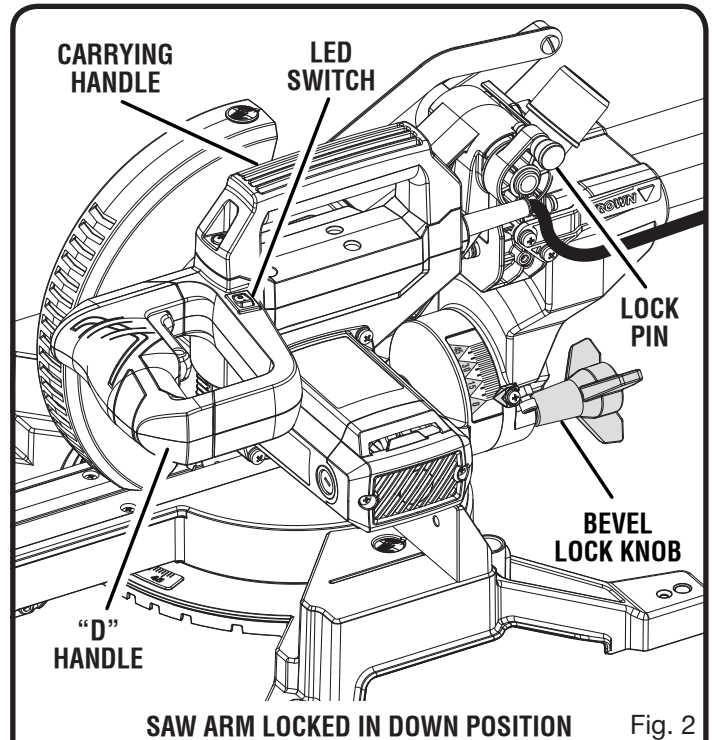
See Figure 1.

For use with the auxiliary fence. To cut crown molding nested against the auxiliary fence in the upright position, align the arrow on the crown indicator with the arrow on the pivot assembly and tighten the slide lock knob securely.

DETENT OVERRIDE

See Figure 3.

The detent override allows the miter table to move freely to any desired angle. With the miter lock handle loosened and the detent release lever squeezed (1), pull the detent override up (2) and release the detent release lever (3) to bypass the positive stops on the miter scale. To release the detent override and allow the miter table to engage the positive stops, squeeze and release the detent release lever.



FEATURES

ELECTRIC BRAKE

An electric brake has been provided to quickly stop blade rotation after the switch is released.

LED LIGHTING SYSTEM

The LED casts a shadow of the blade teeth onto the workpiece for making precision cuts and predicts blade kerf for blade cut line.

MITER FENCE

The miter fence on the compound miter saw has been provided to hold your workpiece securely against when making all cuts. The right side is larger providing additional support.

MITER LOCK HANDLE

See Figure 3.

The miter lock handle securely locks the saw at desired miter angles. Tighten the handle to lock the saw in place. To release the saw, loosen the handle and squeeze the detent release lever.

MITER SCALE

The miter scale can be set from 0° to 47° (both left and right) to achieve a wide variety of cuts.

POSITIVE STOPS ON MITER TABLE

Positive stops have been provided at 0°, 15°, 22.5°, 31.6°, and 45° on both the left and right side of the miter table.

NOTE: To bypass the positive stops, squeeze the detent release lever and lift the detent override. To release the override, squeeze the detent release lever.

SELF-RETRACTING LOWER BLADE GUARD

The lower blade guard is made of shock-resistant, see-through plastic that provides protection from each side of the blade. It retracts over the upper blade guard as the saw is lowered into the workpiece.

SLIDE BARS

When unlocked, the saw arm will glide forward and backward the length of the slide bars for cutting various workpiece widths.

SLIDE LOCK KNOB

The slide lock knob locks and unlocks the sliding feature of this tool.

SPINDLE LOCK BUTTON

See Figure 4.

The spindle lock button locks the spindle and stops the blade from rotating. Depress and hold the lock button while installing, changing, or removing blade.

SWITCH TRIGGER

See Figure 4.

To prevent unauthorized use of the compound miter saw, disconnect it from the power supply and lock the switch in the off position. To lock the switch, install a padlock (not included) through the hole in the switch trigger and make certain the switch is inoperable. If the switch is still operable with the padlock installed, a padlock with a larger shackle diameter must be used. Store the padlock key in another location.

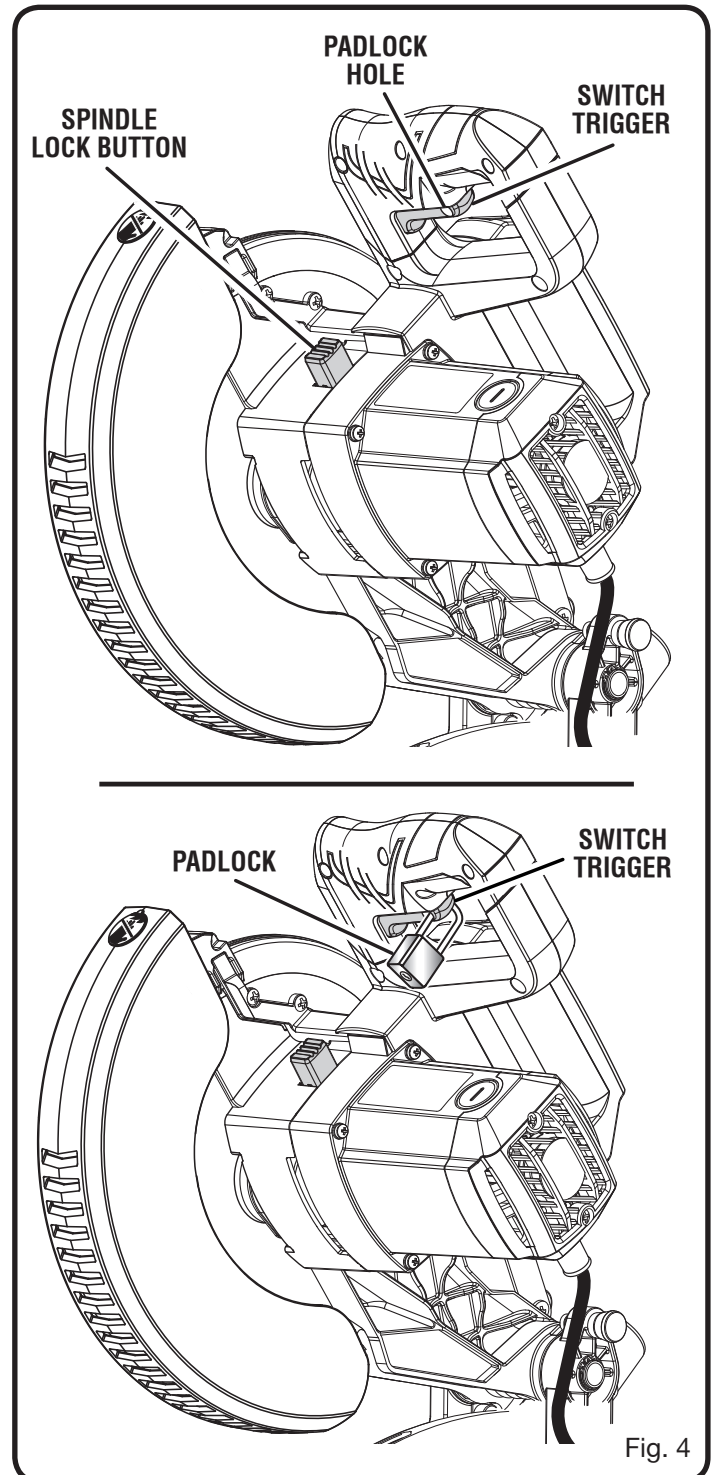
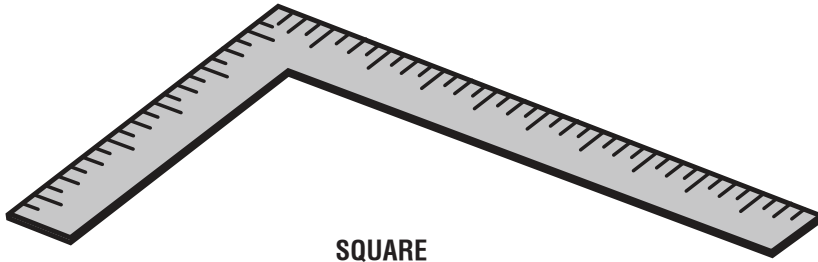


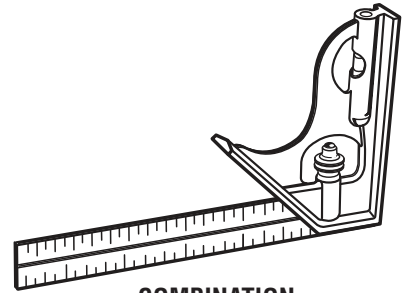
Fig. 4

TOOLS NEEDED

The following tools (not included) are needed for making adjustments or installing the blade:



SQUARE



COMBINATION SQUARE

Fig. 5

LOOSE PARTS LIST

The following items are included with the tool:

- Dust Bag
- Blade Wrench
- Work Clamp
- Operator's Manual

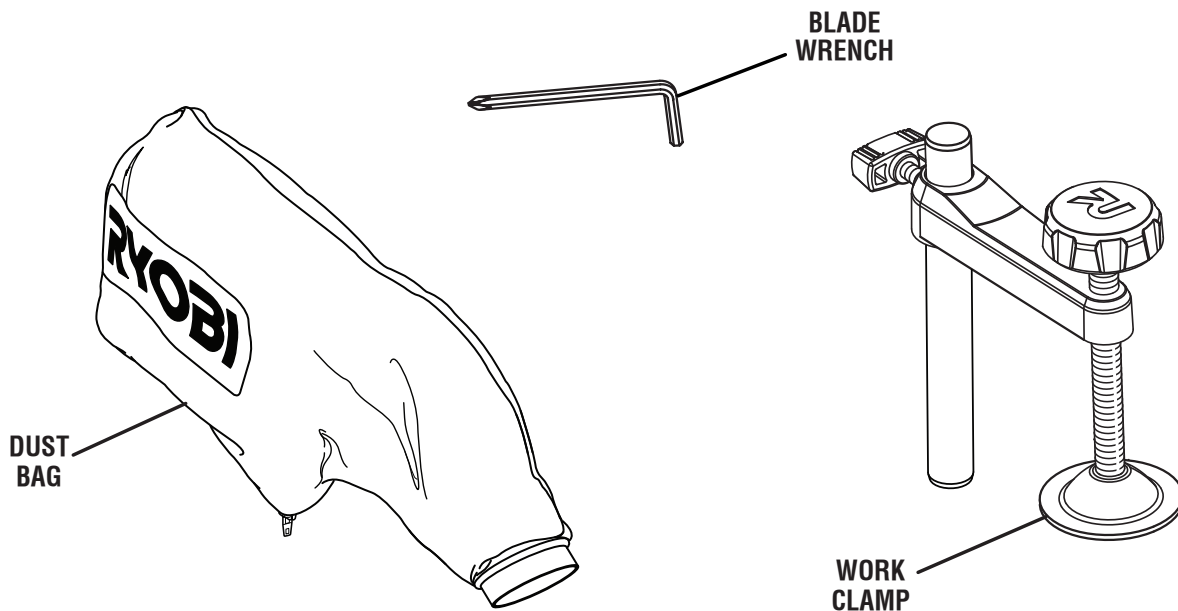


Fig. 6



WARNING:

The use of attachments or accessories not listed might be hazardous and could cause serious personal injury.

ASSEMBLY

UNPACKING

This product requires assembly.

- Carefully lift saw from the carton by the carrying handle and the saw base, and place it on a level work surface.

WARNING:

Do not use this product if any parts on the Loose Parts List are already assembled to your product when you unpack it. Parts on this list are not assembled to the product by the manufacturer and require customer installation. Use of a product that may have been improperly assembled could result in serious personal injury.

- This saw has been shipped with the saw arm secured in the down position. To release the saw arm, push down on the “D” handle, cut the tie-wrap, and pull out on the lock pin.

WARNING:

The saw arm is spring loaded. Hold the handle down to prevent from snapping up when cutting the tie-wrap. Failure to do so could result in possible serious injury.

- Lift the saw arm by the handle. Hand pressure should remain on the “D” handle to prevent sudden rise upon release of the tie wrap.
- Inspect the tool carefully to make sure no breakage or damage occurred during shipping.
- Do not discard the packing material until you have carefully inspected and satisfactorily operated the product.
- The saw is factory set for accurate cutting. After assembling it, check for accuracy. If shipping has influenced the settings, refer to specific procedures explained in this manual.
- If any parts are damaged or missing, please call 1-800-525-2579 for assistance.

WARNING:

If any parts are damaged or missing do not operate this product until the parts are replaced. Use of this product with damaged or missing parts could result in serious personal injury.

WARNING:

Do not attempt to modify this product or create accessories not recommended for use with this tool. Any such alteration or modification is misuse and could result in a hazardous condition leading to possible serious personal injury.

WARNING:

Do not connect to power supply until assembly is complete. Failure to comply could result in accidental starting and possible serious personal injury.

WARNING:

Do not start the compound miter saw without checking for interference between the blade and the miter fence. Serious personal injury or damage to the blade could result if it strikes the miter fence during operation of the saw.

WARNING:

This saw can tip over if the saw head is released suddenly and the saw is not secured to a work surface. ALWAYS secure this saw to a stable work surface before any use to avoid serious personal injury.

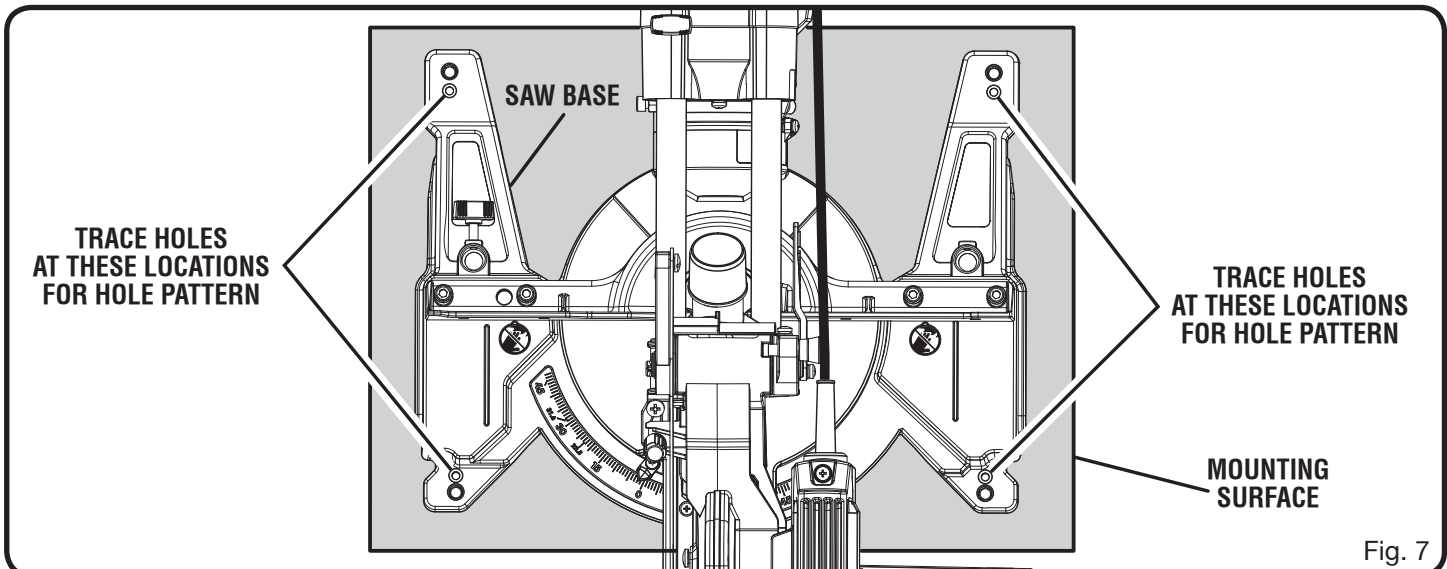


Fig. 7

ASSEMBLY

MOUNTING HOLES

See Figure 7.



WARNING:

Before starting any cutting operation, clamp or bolt your miter saw to a workbench or an approved miter saw stand. If a miter saw stand is used, read operator's manual and follow the instructions for the miter saw stand. Never operate your miter saw on the floor or in a crouched position. Failure to heed this warning can result in serious personal injury.

The compound miter saw should be mounted to a firm supporting surface such as a workbench, mounting board, or miter saw stand. The saw base has four mounting holes. If using bolts, they should be of sufficient length to accommodate the saw base, lock washers, hex nuts, and the thickness of the workbench or other mounting surface. Tighten all bolts or screws securely.

The hole pattern for mounting to a workbench is shown in figure 7. Carefully check the workbench after mounting to make sure that no movement can occur during use. If any tipping, sliding, or walking is noted, secure the workbench to the floor before operating.

USING THE DEPTH STOP

See Figure 8.

When used, the depth stop limits the downward travel of the blade when cutting dados and other non-through cuts.

To use the depth stop:

- Unplug the saw.
- If the saw is in storage or transport position, unlock the saw arm.
- Rotate the depth stop away from the motor housing.
- With the depth control knob touching the depth stop, adjust the depth control knob by turning the knob until the desired depth of cut is attained.
- A wooden spacer of at least 2 1/2 inches must be placed between the workpiece and the fence for a consistent depth of cut in the workpiece. Use the work clamp to clamp the spacer and another suitable clamp to clamp the workpiece. Make the slide cut at the desired depth. See Figures 31 and 32.
- Rotate the depth stop back towards the motor housing for normal through cuts.

NOTE: The depth stop must be moved toward the motor housing before locking / unlocking the saw arm.

LOCKING / UNLOCKING THE SAW ARM

See Figure 9.

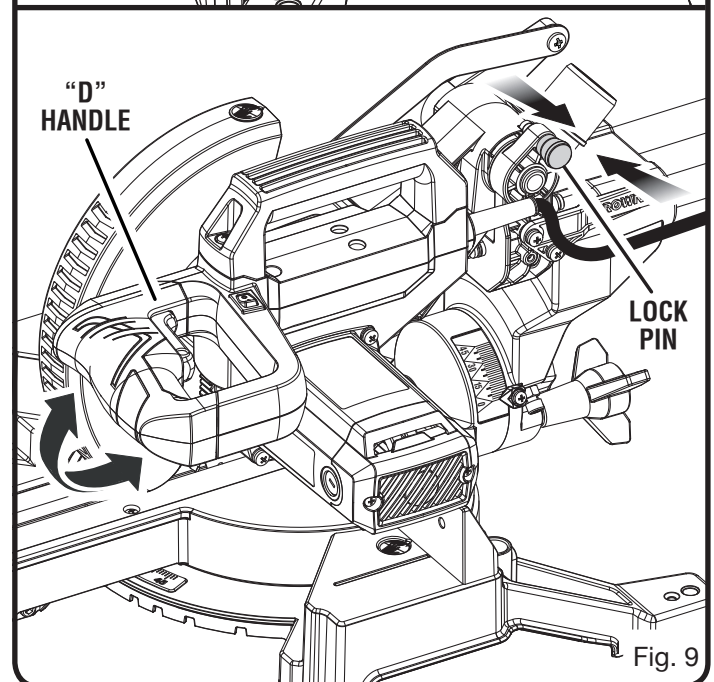
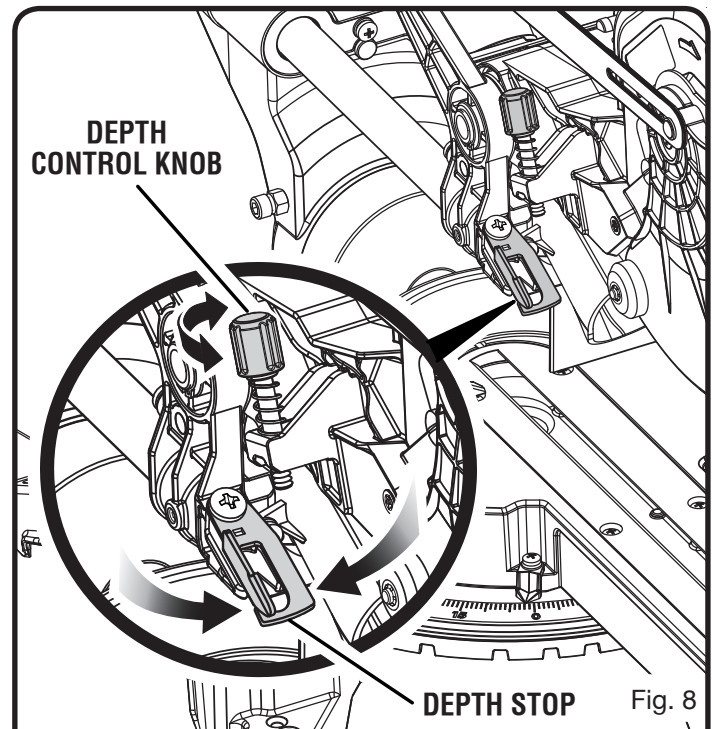
When locking and unlocking the saw arm, it is not necessary to loosen the depth control knob.

To unlock and raise the saw arm:

- Firmly grasp the "D" handle and apply downward pressure while at the same time pulling the lock pin out and away from the saw housing.
- Release the lock pin and slowly raise the saw arm.

To lock the saw arm:

- Firmly grasp the "D" handle and apply downward pressure while at the same time pushing the lock pin in and toward the saw housing.
- Release the lock pin allowing it to lock the saw into place.



ASSEMBLY

DUST BAG

See Figure 10.

A dust bag is provided for use on this miter saw. It fits over the exhaust port on the back of the saw.

NOTE: The exhaust port also accepts 1-1/4 in. vacuum hose.

BLADE WRENCH

See Figure 11.

A blade wrench is included with this saw. One end of the wrench is a phillips screwdriver and the other end is a hex key. Use the hex key end when installing or removing blade and the phillips end when removing or loosening screws. A storage area for the blade wrench is located on the back of the left miter fence.

WORK CLAMP

See Figure 11.



WARNING:

In some operations, the work clamp assembly may interfere with the operation of the blade guard assembly. Always make sure there is no interference with the blade guard prior to beginning any cutting operation to reduce the risk of serious personal injury.

The work clamp provides greater control by clamping the workpiece to the fence or the saw table. It also prevents the workpiece from creeping toward the saw blade. This is very helpful when cutting compound miters. Depending on the cutting operation and the size of the workpiece, it may be necessary to use a C-clamp or other suitable clamp instead of the work clamp to secure the workpiece prior to making the cut.

To install the work clamp:

- Place the work clamp shaft in one of the holes located behind the miter fence.
- Rotate the work clamp knob to move it up or down as needed to secure the workpiece.

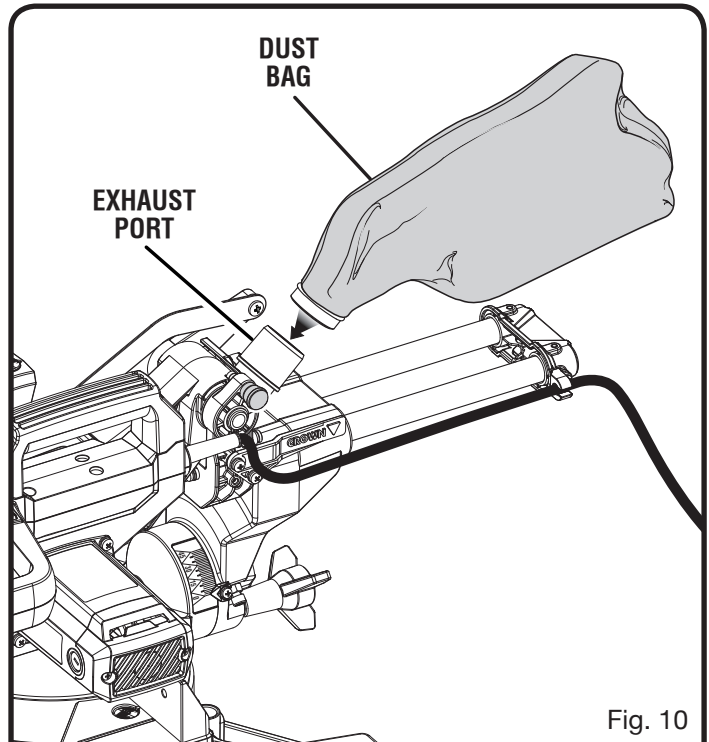


Fig. 10

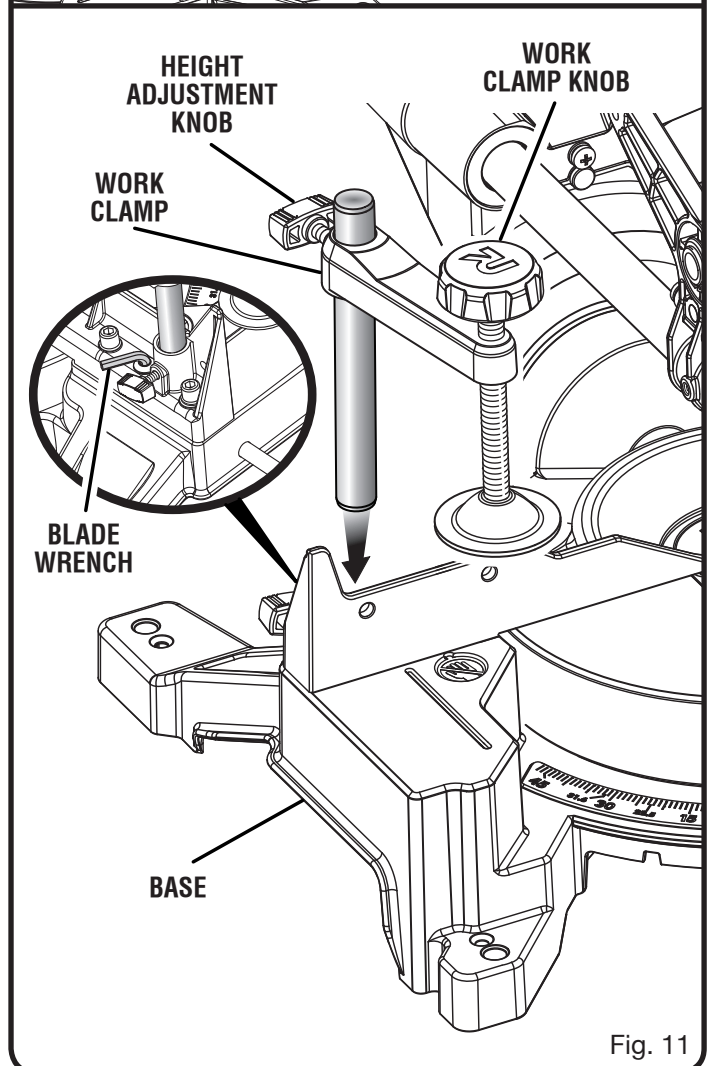


Fig. 11

ASSEMBLY

TO INSTALL / REPLACE THE BLADE

See Figures 12 - 13.

The blade is shipped installed on this miter saw model. Instructions have been included for reference when changing or replacing blades.

WARNING:

A 7-1/4 in. blade is the maximum blade capacity of the saw. Never use a blade that is too thick to allow outer blade washer to engage with the flats on the spindle. Larger blades will come in contact with the blade guards, while thicker blades will prevent the blade bolt from securing the blade on the spindle. Either of these situations could result in a serious accident and can cause serious personal injury.

- Unplug the saw.
- Loosen blade bolt cover screw. Rotate lower blade guard and blade bolt cover up and back to expose the blade bolt.
- Depress the spindle lock button and rotate the blade bolt until the spindle locks.
- Using the blade wrench provided, loosen and remove the blade bolt.

NOTE: The blade bolt has left hand threads. Turn blade bolt clockwise to loosen.

- Remove the outer blade washer.

NOTE: The inner blade washer is integrated into the spindle and cannot be removed.

- Wipe a drop of oil onto inner blade washer and outer blade washer where they contact the blade.

- Fit saw blade inside lower blade guard and onto spindle. The blade teeth point downward at the front of saw as shown in figure 13.

- Replace the outer blade washer. Double “D” flats on blade washers align with flats on spindle.

- Depress spindle lock button and replace blade bolt.

NOTE: The blade bolt has left hand threads. Turn blade bolt counterclockwise to tighten.

CAUTION:

Always install the blade with the blade teeth and the arrow printed on the side of the blade pointing down at the front of the saw. The direction of blade rotation is also stamped with an arrow on the upper blade guard.

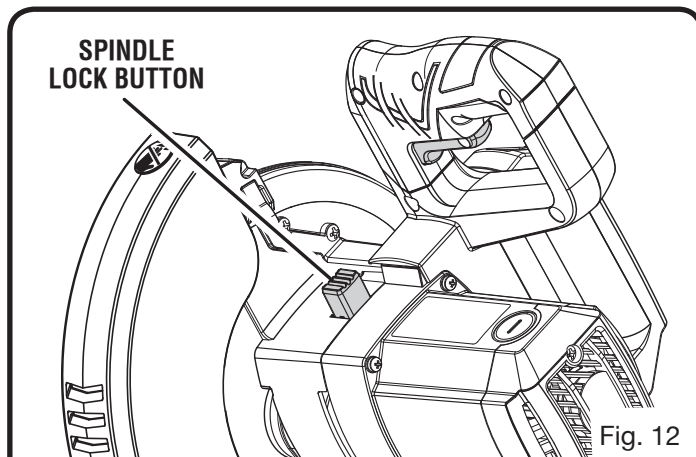


Fig. 12

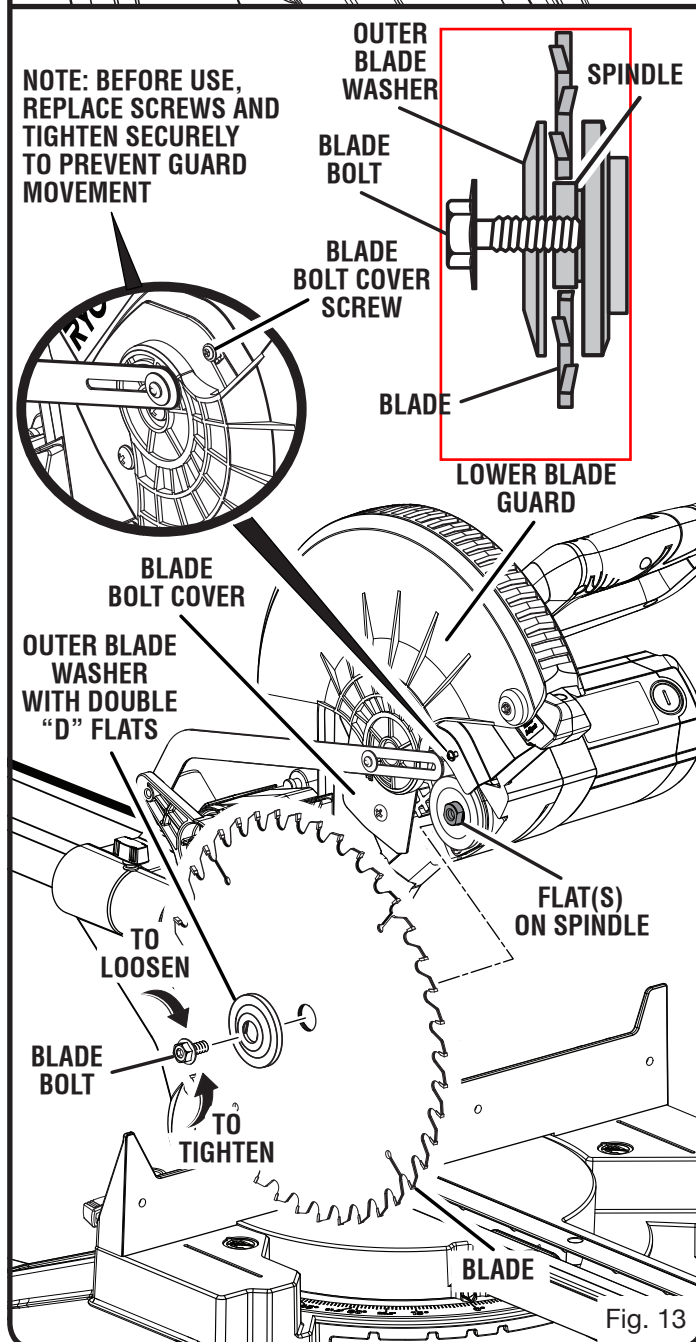


Fig. 13

ASSEMBLY

- Tighten blade bolt securely.
- Replace the lower blade guard and blade bolt cover.
- Securely tighten the blade bolt cover screw.
- Raise and lower the saw head and ensure that the lower blade guard operates properly.

WARNING:

Make sure the spindle lock button is not engaged before reconnecting saw into power source. Never engage spindle lock button when blade is rotating.

REMOVING / REPLACING THE THROAT PLATE

See Figure 14.

WARNING:

The throat plate must be below the miter table. If the throat plate is too high or too low, the workpiece can catch on the uneven edges resulting in binding which could result in serious personal injury.

Never operate the saw without a throat plate installed.

To remove / replace:

- Unplug the saw.
- Remove the screws securing the throat plate.
- Lift the throat plate from the saw.
- To reinstall the throat plate, align the holes in the throat plate with the holes in the saw base.
- Retighten the screws, being careful not to overtighten which can cause the throat plate to bow or bend.

ADJUSTING SUPPORT FOOT

See Figure 14.

Turn the support foot clockwise or counterclockwise depending on the amount of support needed for making sliding cuts.

NOTE: Many of the illustrations in this manual show only portions of the compound miter saw. This is intentional so that we can clearly show points being made in the illustrations. **Never operate the saw without all guards securely in place and in good operating condition.**

SQUARING THE BLADE TO THE FENCE

See Figures 15 - 20.

- Unplug the saw.
- Pull the saw arm all the way down and engage the lock pin to hold the saw arm in transport position.
- Loosen the miter lock handle approximately one-half turn and squeeze the detent release lever.
- Rotate the miter table until the scale indicator is positioned at 0°.

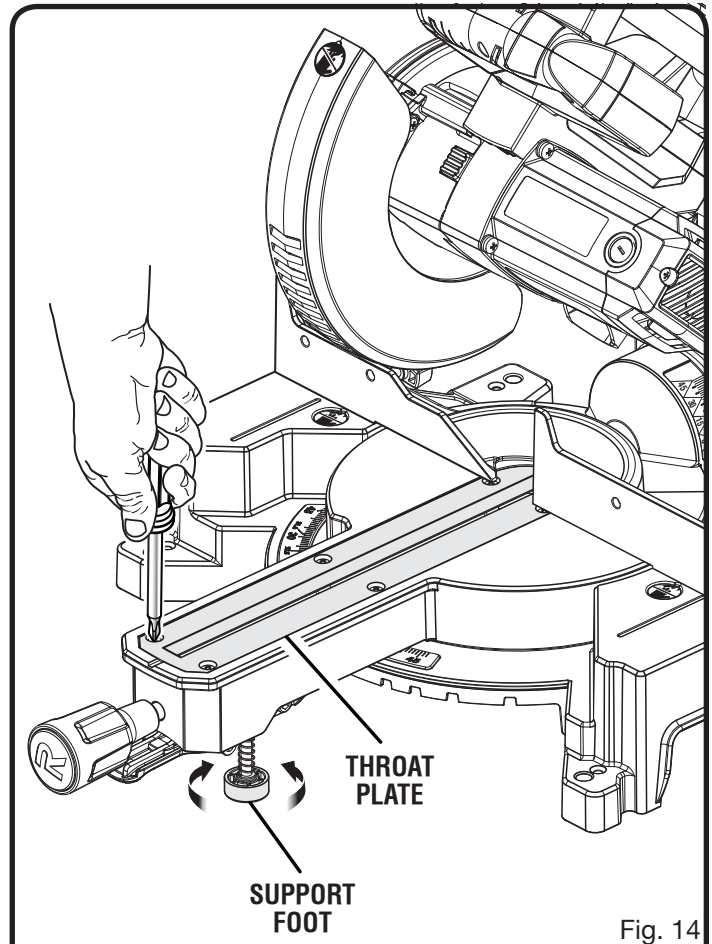


Fig. 14

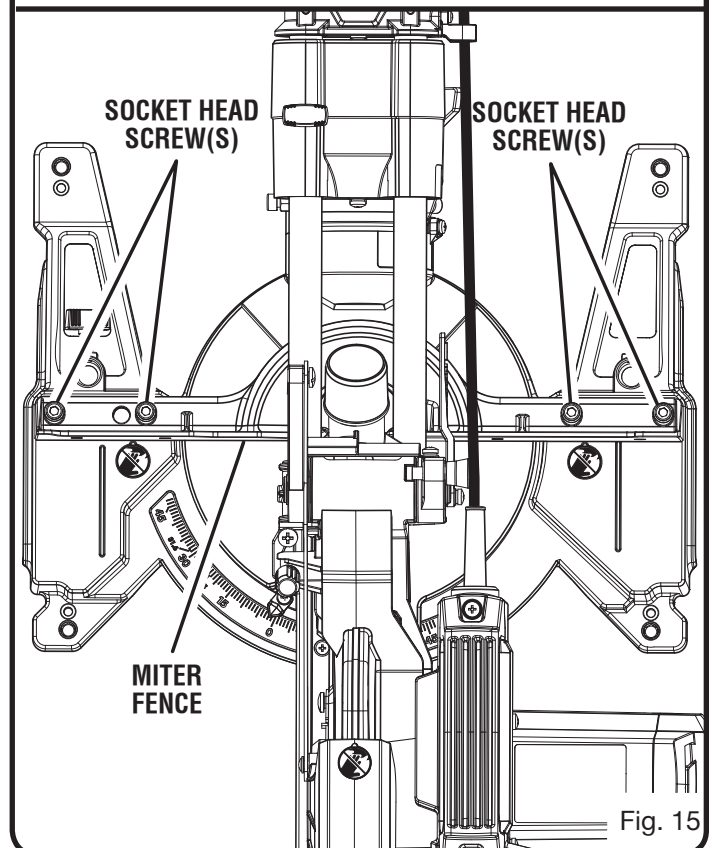
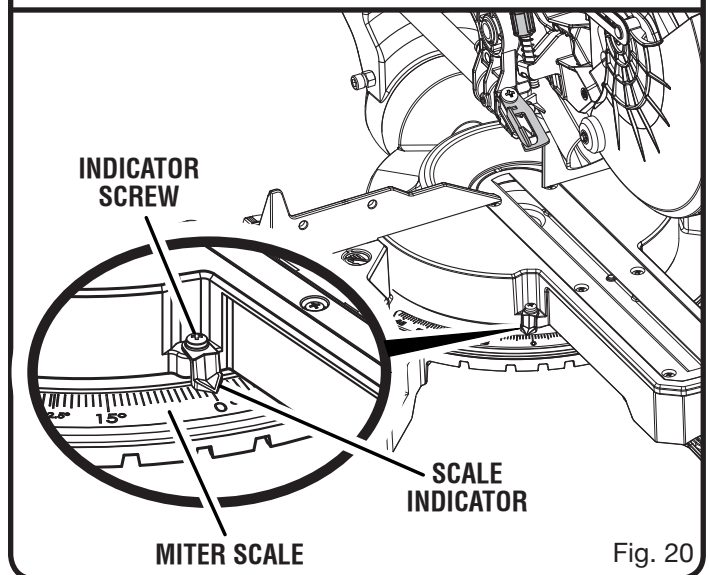
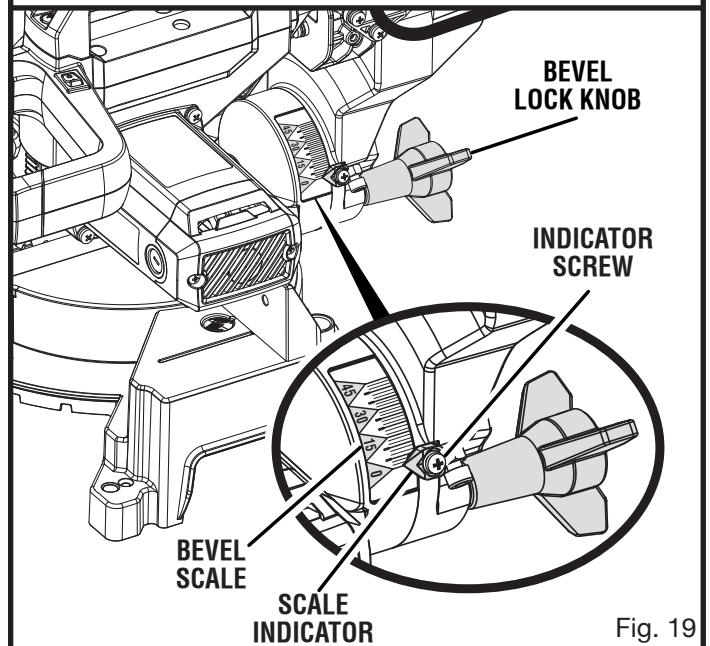
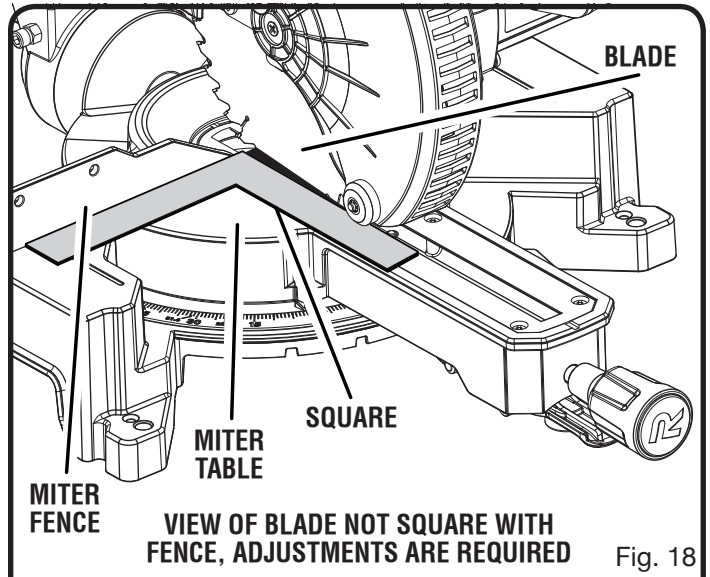
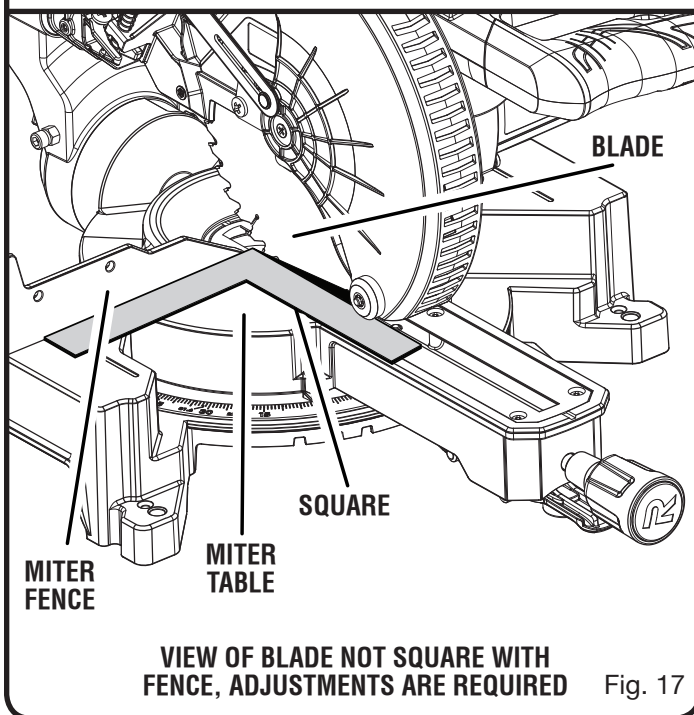
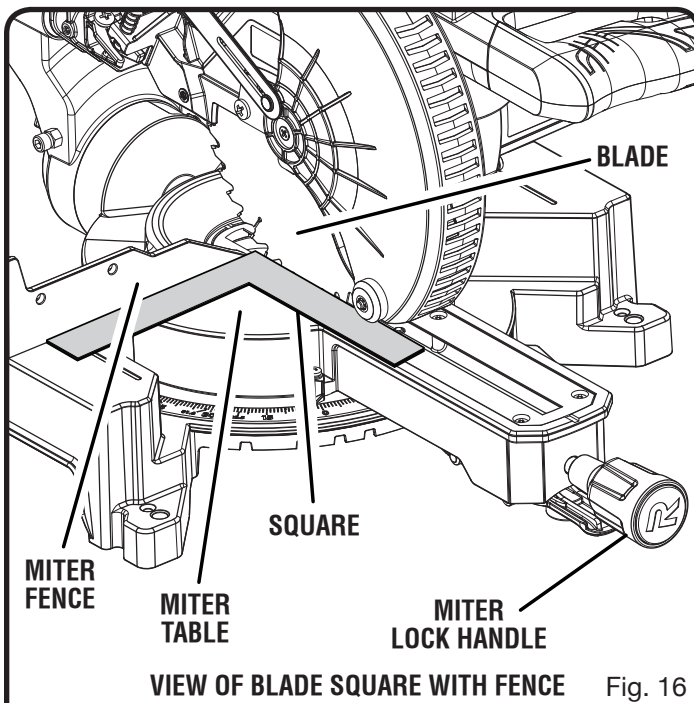


Fig. 15

ASSEMBLY

- Release the detent release lever, and ensure the control arm is seated in the positive notch.
- Tighten the miter lock knob to secure the miter table.
- Loosen bevel lock knob and set saw arm at 0° bevel (blade set 90° to miter table). Tighten bevel lock knob.
- Lay a square flat on the miter table. Place one leg of the square against the fence. Slide the other leg of the square against the flat part of saw blade.

NOTE: Make sure that the square contacts the flat part of the saw blade, not the blade teeth.



ASSEMBLY

- The edge of the square and the saw blade should be parallel as shown in figure 16.
- If the front or back edge of the saw blade angles away from the square as shown in figures 17 - 18, adjustments are needed.
- Using the blade wrench provided, loosen the socket head screws that secure the miter fence to the miter table.
- Rotate the miter fence left or right until the saw blade is parallel with the square.
- Retighten the screws securely and recheck the blade-to-fence alignment.

Your saw has several scale indicators. After squaring adjustments have been made, it may be necessary to loosen the indicator screws and reset them to zero. See Figures 19 - 20.

SQUARING THE BLADE TO THE MITER TABLE

See Figures 21 - 23.

- Unplug the saw.
- Pull the saw arm all the way down and engage the lock pin to hold the saw arm in transport position.
- Loosen the miter lock handle approximately one-half turn and squeeze the detent release lever.
- Rotate the miter table until the scale indicator on the control arm is positioned at 0°.
- Release the detent release lever, then tighten the miter lock knob to secure the miter table.
- Loosen the bevel lock knob and set saw arm at 0° bevel (blade set 90° to miter table). Tighten bevel lock knob.
- Place a combination square against the miter table and the flat part of saw blade.

NOTE: Make sure that the square contacts the flat part of the saw blade, not the blade teeth.

- Rotate the blade by hand and check the blade-to-table alignment at several points.
- The edge of the square and the saw blade should be parallel as shown in figure 21.
- If the top or bottom of the saw blade angles away from the square as shown in figures 22 and 23, adjustments are needed.
- Loosen bevel lock knob.
- Adjust positive stop adjustment screw to bring saw blade into alignment with the square. See **Positive Stop Adjustment** in the *Adjustment* section.
- Tighten bevel lock knob. Recheck blade-to-table alignment.

NOTE: The above procedure can be used to check blade squareness of the saw blade to the miter table at both 0° and 45° angles.

Your saw has several scale indicators. After squaring adjustments have been made, it may be necessary to loosen the indicator screws and reset them to zero. See Figures 19 - 20.

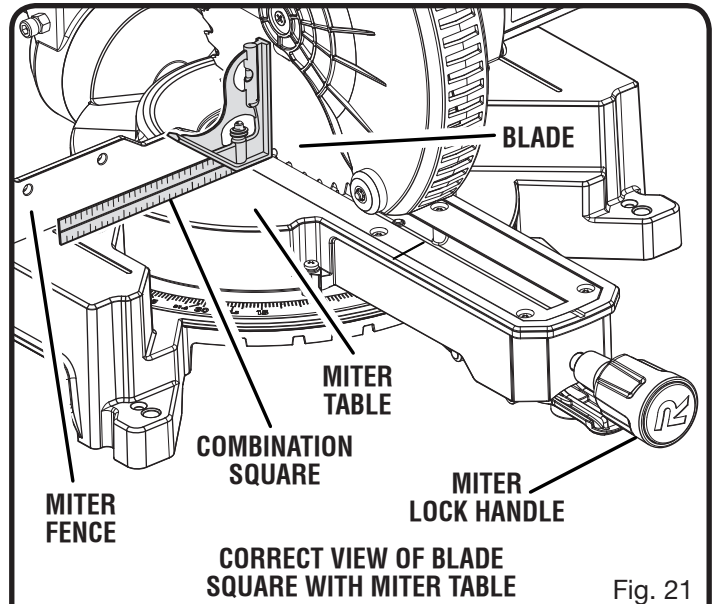


Fig. 21

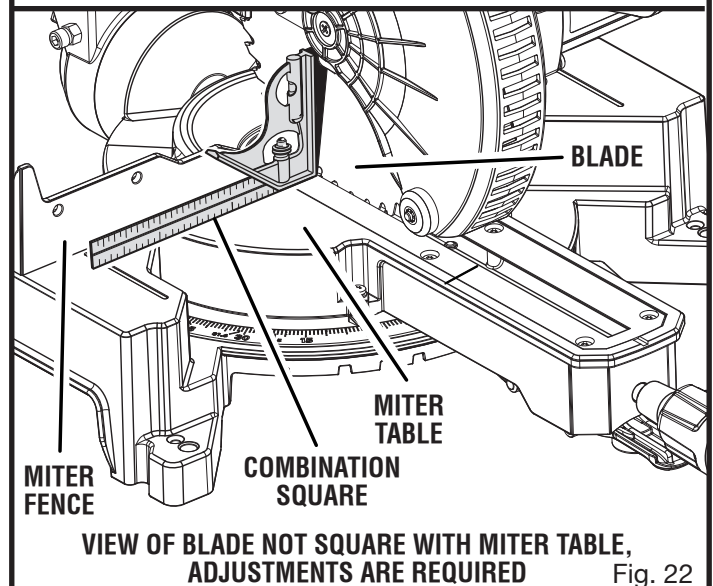


Fig. 22

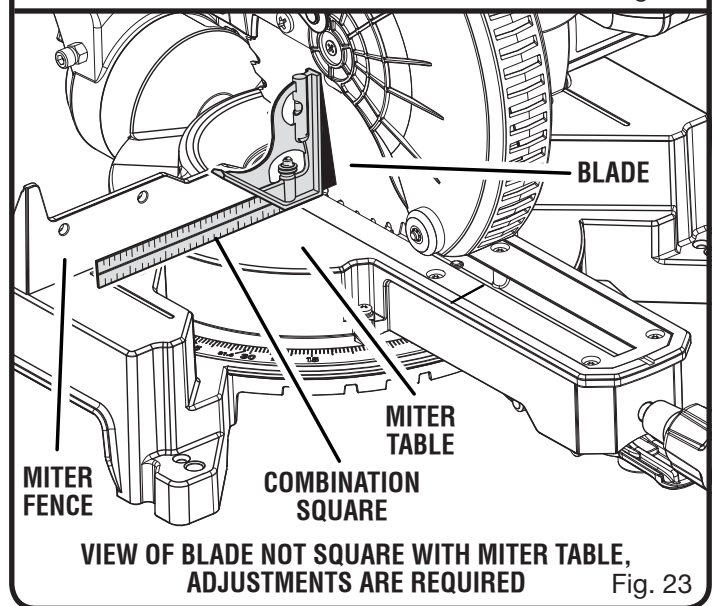


Fig. 23

OPERATION

WARNING:

Do not allow familiarity with tools to make you careless. Remember that a careless fraction of a second is sufficient to inflict serious injury.

WARNING:

Always wear eye protection with side shields marked to comply with ANSI Z87.1. Failure to do so could result in objects being thrown into your eyes, resulting in possible serious injury.

WARNING:

Do not use any attachments or accessories not recommended by the manufacturer of this tool. The use of attachments or accessories not recommended can result in serious personal injury.

APPLICATIONS

This product has been designed only for the purposes listed below:

- Cross cutting wood and plastic (do not cut metals, ceramics or masonry products.)
- Cross cutting miters, joints, etc., for picture frames, moldings, door casings, and fine joinery
- Bevel and compound cutting
- Cross cutting wide workpieces

NOTE: The blade provided is fine for most wood cutting operations, but for fine joinery cuts or cutting plastic, use one of the accessory blades available from the Ryobi dealer.

WARNING:

Before starting any cutting operation, clamp or bolt the compound miter saw to a workbench. Never operate the miter saw on the floor or in a crouched position. Failure to heed this warning can result in serious personal injury.

WARNING:

To avoid serious personal injury, always tighten the miter lock handle and bevel lock handle securely before making a cut. Failure to do so could result in movement of the miter table or saw head while making a cut.

WARNING:

To avoid serious personal injury, keep hands outside the no hands zone, at least 3 in. from the blade. Never perform any cutting operation freehand (without holding workpiece against the fence). The blade could grab the workpiece if it slips or twists.

NOTICE:

Do not start the compound miter saw without checking for interference between the blade and the miter fence. Damage could result to the blade if it strikes the miter fence during operation of the saw.

CUTTING WITH YOUR COMPOUND MITER SAW

WARNING:

When using a work clamp or C-clamp to secure your workpiece, clamp workpiece on one side of the blade only. The workpiece must remain free on one side of the blade to prevent the blade from binding in workpiece. The workpiece binding the blade will cause motor stalling and kickback. This situation could cause an accident resulting in possible serious personal injury.

WARNING:

NEVER move the workpiece or make adjustment to any cutting angle while the saw is running and the blade is rotating. Any slip can result in contact with the blade causing serious personal injury.

WARNING:

Do not try to cut narrow pieces using the sliding feature. Failure to heed this warning could result in serious personal injury.

LED LIGHTING SYSTEM

See Figure 24.

The LED lighting system casts the shadow of the blade onto the workpiece. This results in greater accuracy of cuts and requires no adjustments.

To use this feature, turn the LED switch on.

Bring the saw arm down so the blade is approximately 1/4 in. from the workpiece. The shadow of the blade will be projected onto the workpiece, indicating where the blade teeth will make contact as the cut is made.

OPERATION

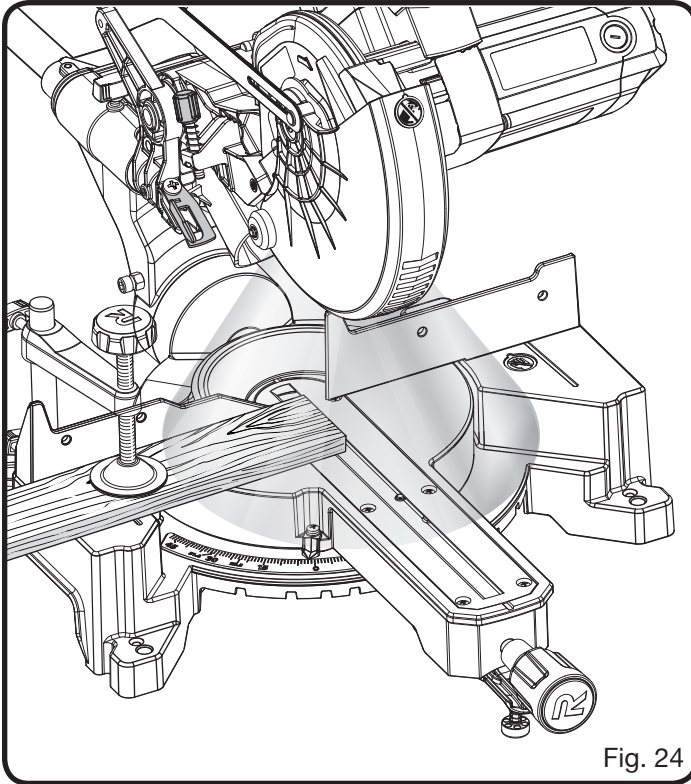


Fig. 24

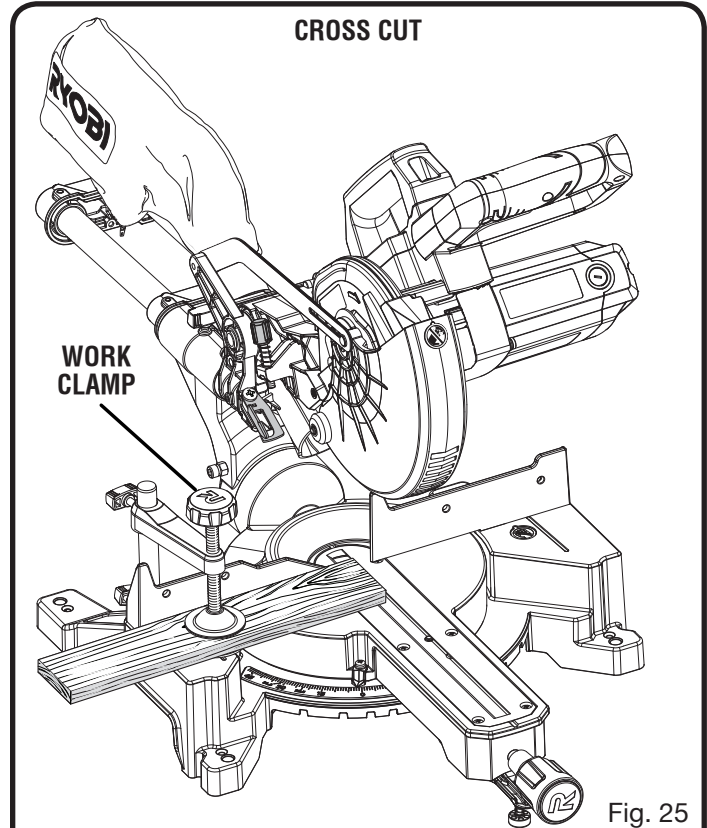


Fig. 25

TO MAKE NON-SLIDING CUTS

WARNING:

Securely tighten the slide lock knob when making any non-sliding cuts. Failure to tighten the knob could result in the saw head moving during the cutting operation.

TO MITER CUT / CROSS CUT

See Figures 25 - 26.

A cross cut is made by cutting across the grain of the workpiece. A straight cross cut is made with the miter table set at the 0° position. Miter cross cuts are made with the miter table set at some angle other than 0°.

- Slide the saw head to its most rearward position and tighten the slide lock knob securely.
- Raise saw arm to its full height.
- Loosen the miter lock handle approximately one-half turn and squeeze the detent release lever.
- Rotate the control arm until the pointer aligns with the desired angle on the miter scale.
- Release the detent release lever, then tighten the miter lock knob to secure the miter table.

NOTE: You can quickly locate 0°, 15°, 22-1/2°, 31.6°, and 45° left or right by releasing the detent release lever as you rotate the control arm. The control arm will seat itself in one of the positive stop notches, located in the miter table base.

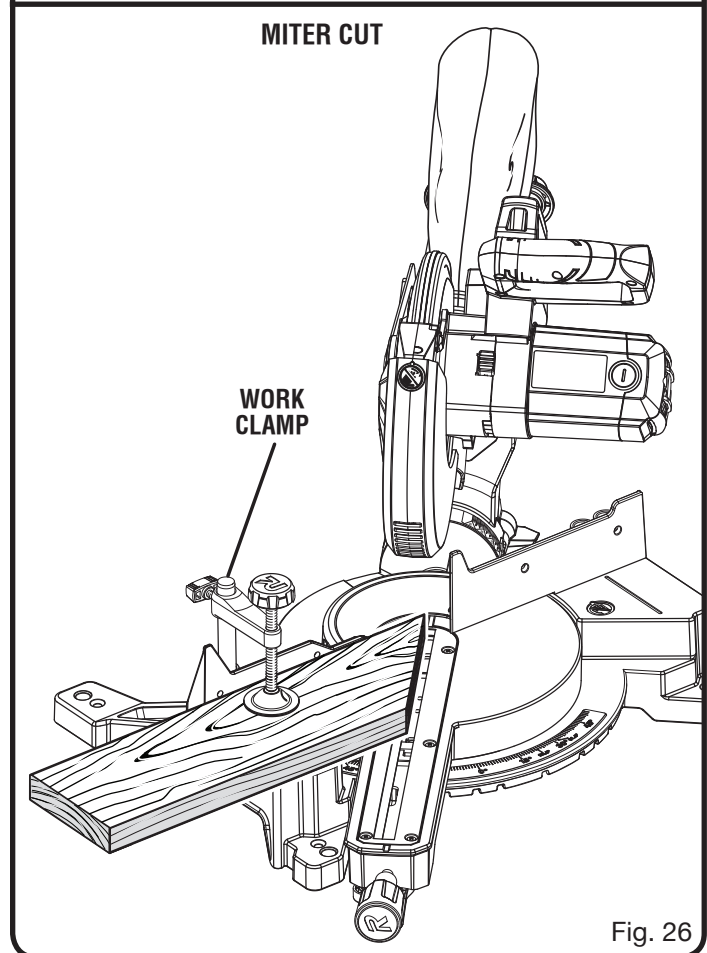


Fig. 26

OPERATION

- Place the workpiece flat on the miter table with one edge securely against the fence. If the board is warped, place the convex side against the fence. If the concave edge of a board is placed against the fence, the board could collapse on the blade at the end of the cut, jamming the blade. *See Figures 39 - 40.*
- When cutting long pieces of lumber or molding, support the opposite end of the stock with a roller stand or with a work surface level with the saw table. *See Figure 30.*
- Slide the saw head to its most rearward position and tighten the slide lock knob securely.
- Align cutting line on the workpiece with the edge of saw blade or LED line.
- Grasp the stock firmly with one hand and secure it against the fence. Use the work clamp or a C-clamp to secure the workpiece when possible.
- Before turning on the saw, perform a dry run of the cutting operation to make sure that no problems will occur when the cut is made.
- Grasp the saw handle firmly. Squeeze the switch trigger. Allow several seconds for the blade to reach maximum speed.
- Slowly lower the blade into and through the workpiece.
- Release the switch trigger and allow the saw blade to stop rotating before raising the blade out of workpiece and removing the workpiece from the miter table.

TO BEVEL CUT

See Figure 27.

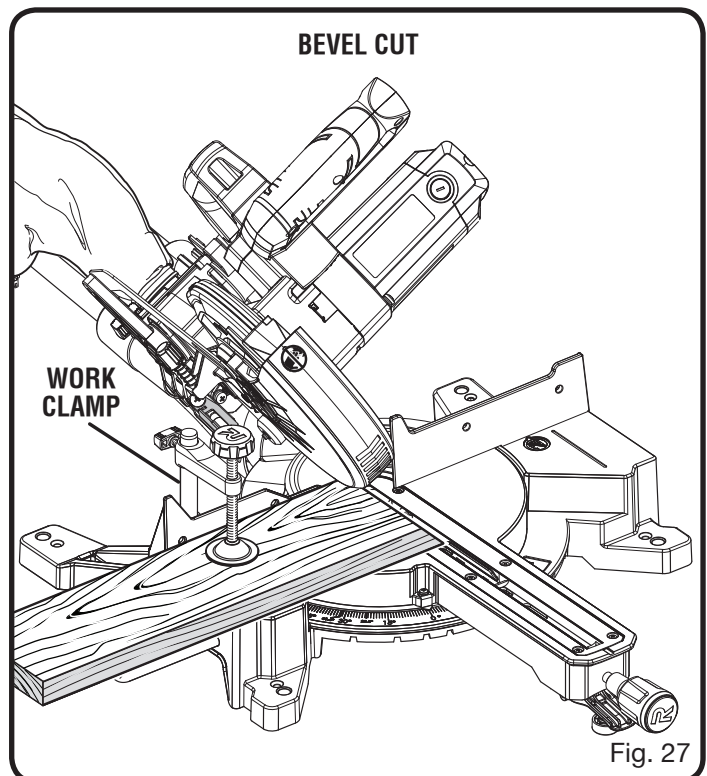
A bevel cut is made by cutting across the grain of the workpiece with the blade angled to the workpiece. A straight bevel cut is made with the miter table set at the zero degree position and the blade set at an angle between 0° and 45°.

- Slide the saw head to its most rearward position and tighten the slide lock knob securely.
- Pull out the lock pin and lift saw arm to its full height.
- Loosen the miter lock handle approximately one-half turn and squeeze the detent release lever.
- Rotate the control arm until the pointer aligns with the desired angle on the miter scale.
- Release the detent release lever, then tighten the miter lock knob to secure the miter table.

NOTE: You can quickly locate 0°, 15°, 22-1/2°, 31.6°, and 45° left or right by releasing the detent release lever as you rotate the control arm. The control arm will seat itself in one of the positive stop notches, located in the miter table base.

- Loosen the bevel lock knob and move the saw arm to the desired bevel angle.
- Bevel angles can be set from 0° to 45°.
- Align the indicator point for the desired angle.

- Once the saw arm has been set at the desired angle, securely tighten the bevel lock knob.
- Place the workpiece flat on the miter table with one edge securely against the fence. If the board is warped, place the convex side against the fence. If the concave edge of a board is placed against the fence, the board could collapse on the blade at the end of the cut, jamming the blade. *See Figures 39 - 40.*
- When cutting long pieces of lumber or molding, support the opposite end of the stock with a roller stand or with a work surface level with the saw table. *See Figure 30.*
- Slide the saw head to its most rearward position and tighten the slide lock knob securely.
- Align the cutting line on the workpiece with the edge of saw blade or LED line.
- Grasp the stock firmly with one hand and secure it against the fence. Use the optional work clamp or a C-clamp to secure the workpiece when possible.
- Before turning on the saw, perform a dry run of the cutting operation just to make sure that no problems will occur when the cut is made.
- Grasp the saw handle firmly then squeeze the switch trigger. Allow several seconds for the blade to reach maximum speed.
- Slowly lower the blade into and through the workpiece.
- Release the switch trigger and allow the saw blade to stop rotating before raising the blade out of workpiece. Wait until the electric brake stops blade from turning before removing the workpiece from miter table.



OPERATION

TO COMPOUND MITER CUT

See Figures 28 - 29.

A compound miter cut is a cut made using a miter angle and a bevel angle at the same time. This type of cut is used to make picture frames, cut molding, make boxes with sloping sides, and for certain roof framing cuts.

To make this type of cut the control arm on the miter table must be rotated to the correct angle and the saw arm must be tilted to the correct bevel angle. Care should always be taken when making compound miter setups due to the interaction of the two angle settings.

Adjustments of miter and bevel settings are interdependent with one another. Each time you adjust the miter setting you change the effect of the bevel setting. Also, each time you adjust the bevel setting you change the effect of the miter setting.

It may take several settings to obtain the desired cut. The first angle setting should be checked after setting the second angle, since adjusting the second angle affects the first.

Once the two correct settings for a particular cut have been obtained, always make a test cut in scrap material before making a finish cut in good material.

- Slide the saw head to its most rearward position and tighten the slide lock knob securely.
- Pull out the lock pin and lift saw arm to its full height.
- Loosen the miter lock handle approximately one-half turn and squeeze the detent release lever.
- Rotate the control arm until the pointer aligns with the desired angle on the miter scale.
- Release the detent release lever, then tighten the miter lock knob to secure the miter table.
- Loosen the bevel lock knob and move the saw arm to the left to the desired bevel angle.
- Bevel angles can be set from 0° to 45°.
- Once the saw arm has been set at the desired angle, securely tighten the bevel lock knob.
- Recheck miter angle setting. Make a test cut in scrap material.
- Place the workpiece flat on the miter table with one edge securely against the fence. If the board is warped, place the convex side against the fence. If the concave edge of a board could collapse on the blade at the end of the cut, jamming the blade. See Figures 39 - 40.
- When cutting long pieces of lumber or molding, support the opposite end of the stock with a roller stand or with a work surface level with the saw table. See Figure 30.
- Slide the saw head to its most rearward position and tighten the slide lock knob securely.
- Align the cutting line on the workpiece with the edge of saw blade or LED line.

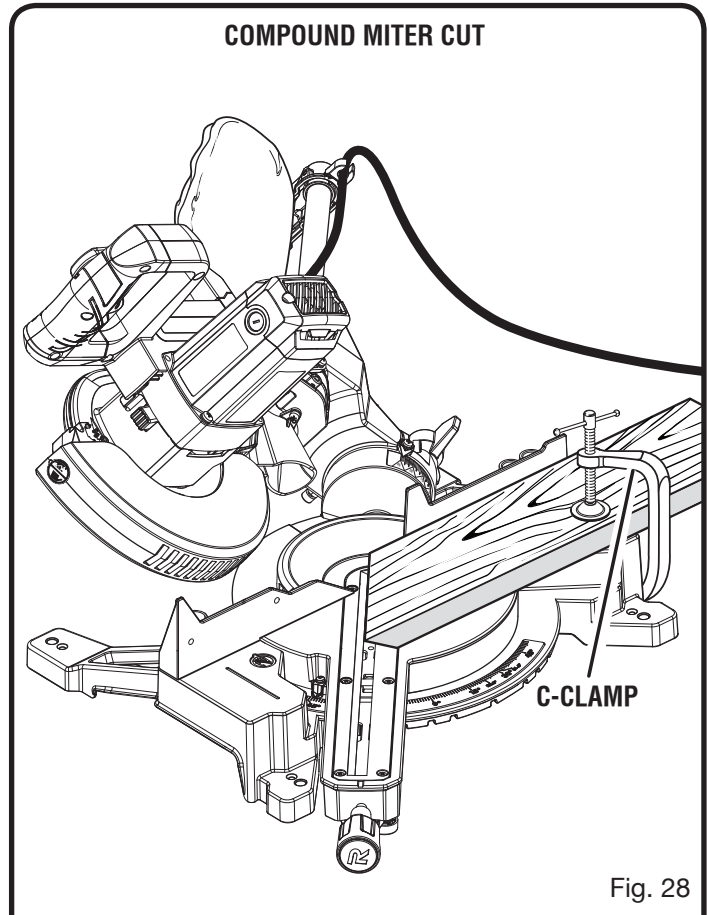
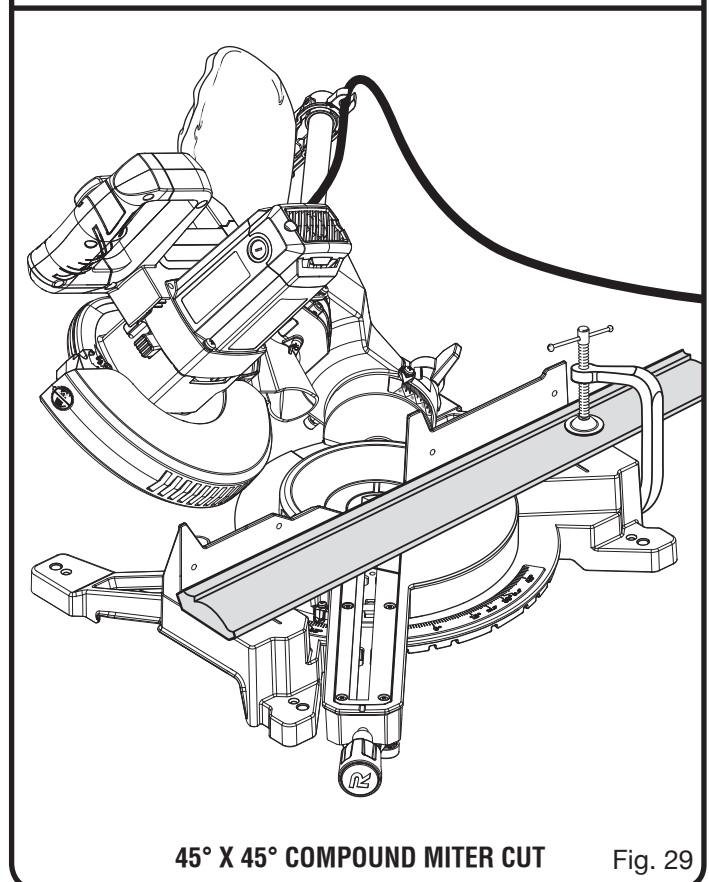


Fig. 28



45° X 45° COMPOUND MITER CUT

Fig. 29

OPERATION

- Grasp the stock firmly with one hand and secure it against the fence. Use the optional work clamp or a C-clamp to secure the workpiece when possible.
- Before turning on the saw, perform a dry run of the cutting operation just to make sure that no problems will occur when the cut is made.
- Grasp the saw handle firmly then squeeze the switch trigger. Allow several seconds for the blade to reach maximum speed.
- Slowly lower the blade into and through the workpiece.
- Release the switch trigger and allow the saw blade to stop rotating before raising the blade out of workpiece. Wait until the electric brake stops blade from turning before removing the workpiece from miter table.

TO SUPPORT LONG WORKPIECES

See Figure 30.

Long workpieces need extra supports. Supports should be placed along the workpiece so it does not sag. The support should let the workpiece lay flat on the base of the saw and work table during the cutting operation. Use the optional work clamp or a C-clamp to secure the workpiece.



WARNING:

Never make a cut by pulling the saw toward you as the blade can climb on top of the workpiece and come toward you. Failure to heed this warning could result in serious personal injury.

TO SLIDE CUT

See Figures 31 - 32.

The sliding feature will cut workpieces up to 1-1/2 in. thick and 9-1/4 in. wide. With the saw off, pull the saw arm forward. Turn the saw on (let blade reach maximum speed), push the blade down cutting into the workpiece then back toward the rear of the saw to make a cut. Cuts are made by pushing the saw blade away from you and toward the bevel scale at the back of the saw stopping when the full rear position has been reached after each cut. When the saw is running (turned on), **NEVER** pull the saw blade toward you or toward the front of the saw.

- Raise saw arm to its full height.
- Place the workpiece flat on the miter table with one edge securely against the fence. If the board is warped, place the convex side against the fence. If the concave edge of a board is placed against the fence, the board could collapse on the blade at the end of the cut, jamming the blade. See Figures 39 - 40.

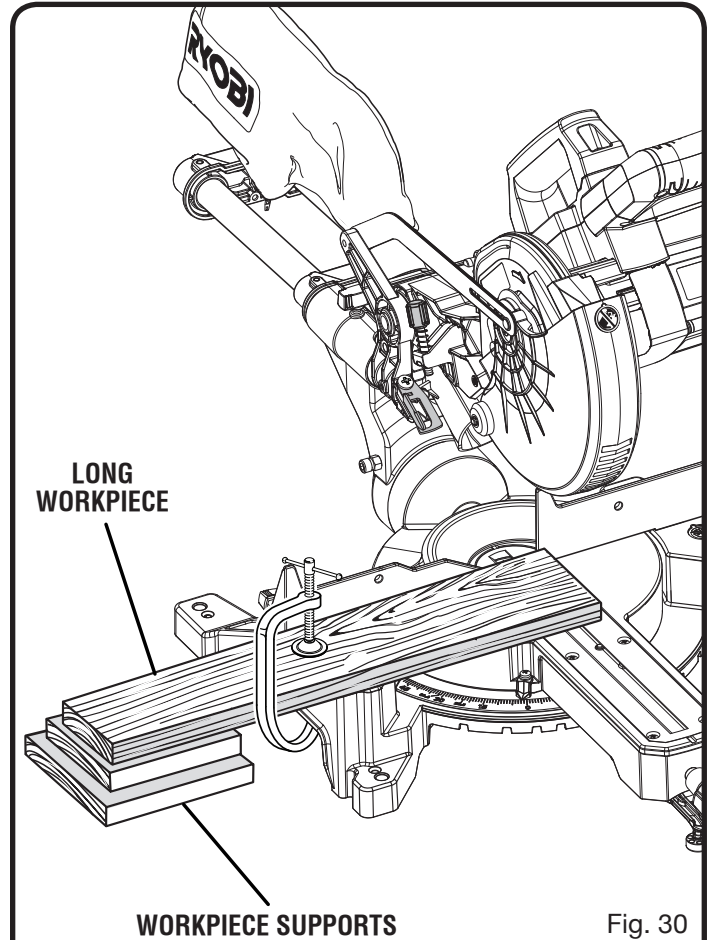


Fig. 30

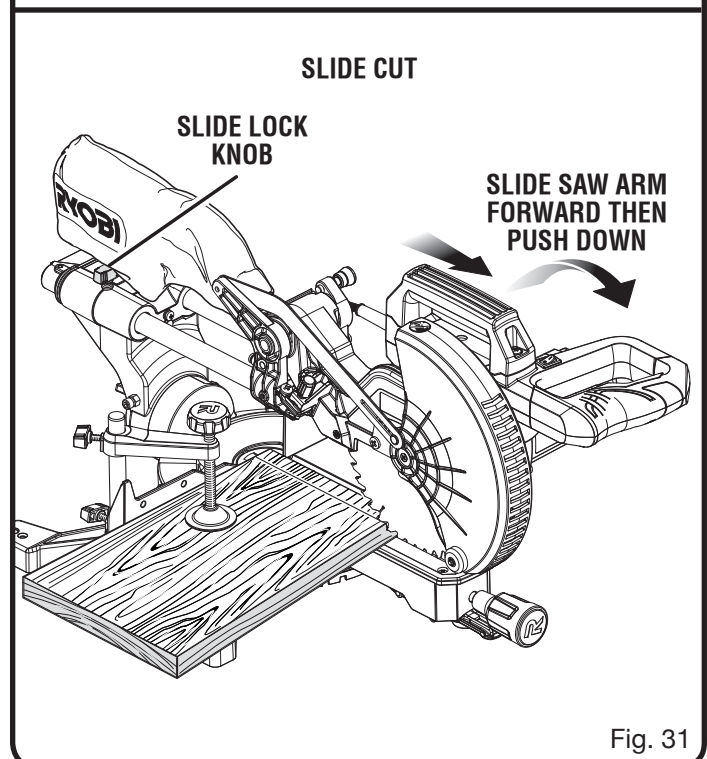


Fig. 31

OPERATION

- When cutting long pieces of lumber or molding, support the opposite end of the stock with a roller stand or with a work surface level with the saw table. *See Figure 30.*
- Align the cutting line on the workpiece with the edge of saw blade or LED line.
- Loosen the slide lock knob by turning the knob counterclockwise.
- Grasp the stock firmly with one hand and secure it against the fence. Use the work clamp or a C-clamp to secure the workpiece when possible.
- Before turning on the saw, perform a dry run of the cutting operation to make sure that no problems will occur when the cut is made.
- With the saw off, grasp the saw handle firmly then pull the saw forward until the blade arbor (center of the saw blade) is over the front of the workpiece or until the saw is fully extended.
- Squeeze the switch trigger. Allow several seconds for the blade to reach maximum speed.
- Slowly lower the blade into and through the front edge of the workpiece.
- Push the saw handle away from you and toward the bevel scale at the back of the saw.
- Release the switch trigger and allow the saw blade to stop rotating before raising the blade out of workpiece and removing the workpiece from miter table.

NOTE: A cross cut is made by cutting across the grain of the workpiece. A straight cross cut is made with the miter table set at the 0° position. Miter cross cuts are made with the miter table set at some angle other than 0°.

MAKING AN AUXILIARY FENCE

See Figure 33.

Certain unusual cuts may benefit from a thicker miter fence (auxiliary fence) due to the size and position of the workpiece. The holes provided in the miter fence are there for just this purpose. The miter fence holes are used to secure the auxiliary fence which requires two pieces of wood 3/4 in. thick, 2-1/2 in. high, and 7-1/4 in. long to make.

NOTE: The auxiliary fence can only be used when the bevel is set at 0°. When making a bevel cut, the auxiliary fence **MUST** be removed.

To attach the auxiliary fence to the saw:

- Place one 7-1/4 in. piece of wood against the miter fence and aligned with the left edge of the miter table and mark the hole location from behind the fence using a pencil.
- Drill holes through the wood then countersink the holes on the front of the wood.
- Secure the wood to the miter fence using bolts, washers, and nuts.
- Make a full 45° left miter cut through the left side auxiliary fence.

NOTE: Check for interference between the auxiliary fence and the lower blade guard. Correct any interference before proceeding.

- Repeat steps with second board by aligning with right side of miter table.

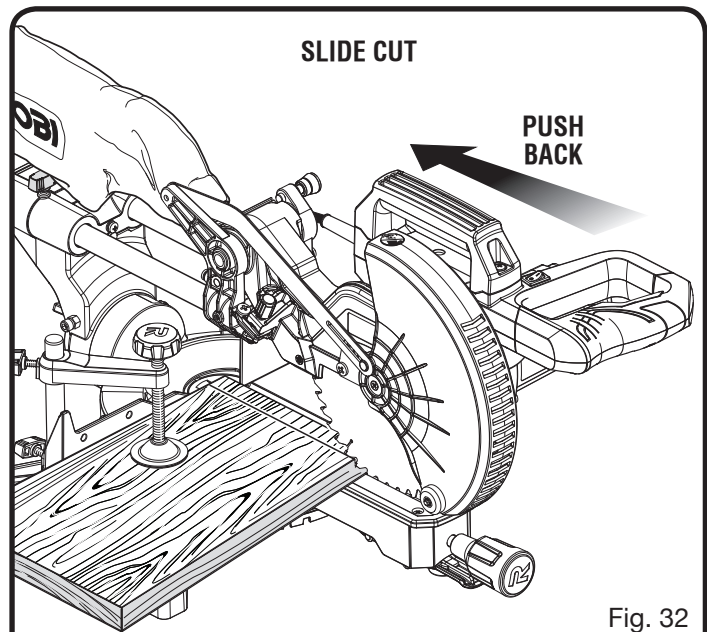


Fig. 32

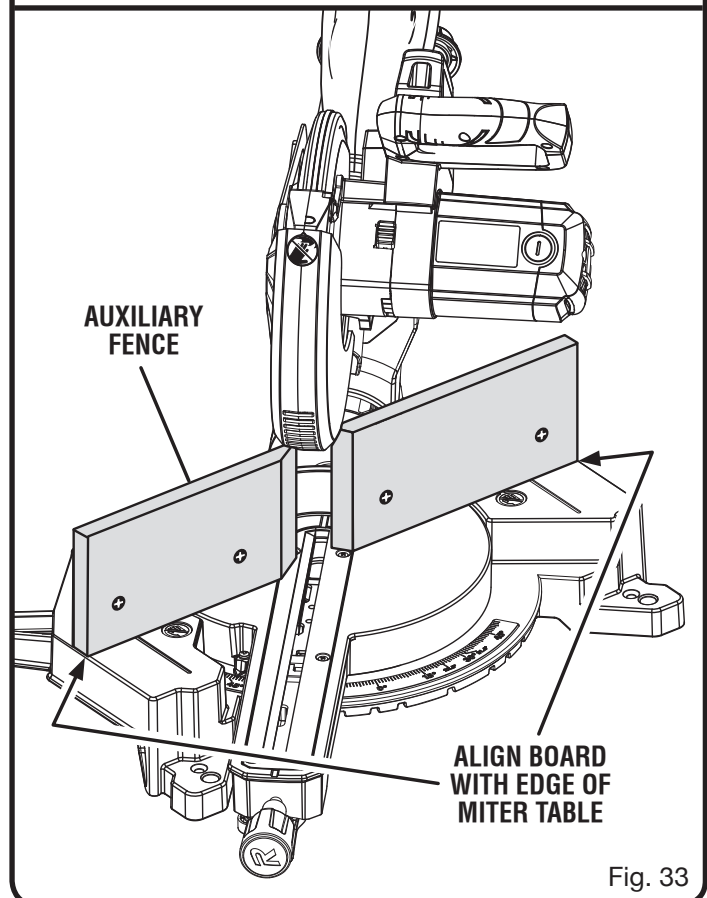


Fig. 33

OPERATION

CUTTING COMPOUND MITERS

To aid in making the correct settings, the compound angle setting chart below has been provided. Since compound cuts are the most difficult to accurately obtain, trial cuts should be made in scrap material, and much thought and planning made, prior to making the required cut.

| PITCH OF SIDE | NUMBER OF SIDES | | | | | | |
|---------------|------------------------|------------------------|------------------------|------------------------|------------------------|------------------------|------------------------|
| | 4 | 5 | 6 | 7 | 8 | 9 | 10 |
| 0° | M- 45.00° B- 0.00° | M- 36.00° B- 0.00° | M- 30.00° B- 0.00° | M- 25.71° B- 0.00° | M- 22.50° B- 0.00° | M- 20.00° B- 0.00° | M- 18.00° B- 0.00° |
| 5° | M- 44.89° B- 3.53° | M- 35.90° B- 2.94° | M- 29.91° B- 2.50° | M- 25.63° B- 2.17° | M- 22.42° B- 1.91° | M- 19.93° B- 1.71° | M- 17.94° B- 1.54° |
| 10° | M- 44.56° B- 7.05° | M- 35.58° B- 5.86° | M- 29.62° B- 4.98° | M- 25.37° B- 4.32° | M- 22.19° B- 3.81° | M- 19.72° B- 3.40° | M- 17.74° B- 3.08° |
| 15° | M- 44.01° B- 10.55° | M- 35.06° B- 8.75° | M- 29.15° B- 7.44° | M- 24.95° B- 6.45° | M- 21.81° B- 5.68° | M- 19.37° B- 5.08° | M- 17.42° B- 4.59° |
| 20° | M- 43.22° B- 14.00° | M- 34.32° B- 11.60° | M- 28.48° B- 9.85° | M- 24.35° B- 8.53° | M- 21.27° B- 7.52° | M- 18.88° B- 6.72° | M- 16.98° B- 6.07° |
| 25° | M- 42.19° B- 17.39° | M- 33.36° B- 14.38° | M- 27.62° B- 12.20° | M- 23.56° B- 10.57° | M- 20.58° B- 9.31° | M- 18.26° B- 8.31° | M- 16.41° B- 7.50° |
| 30° | M- 40.89° B- 20.70° | M- 32.18° B- 17.09° | M- 26.57° B- 14.48° | M- 22.64° B- 12.53° | M- 19.73° B- 11.03° | M- 17.50° B- 9.85° | M- 15.72° B- 8.89° |
| 35° | M- 39.32° B- 23.93° | M- 30.76° B- 19.70° | M- 25.31° B- 16.67° | M- 21.53° B- 14.41° | M- 18.74° B- 12.68° | M- 16.60° B- 11.31° | M- 14.90° B- 10.21° |
| 40° | M- 37.45° B- 27.03° | M- 29.10° B- 22.20° | M- 23.86° B- 18.75° | M- 20.25° B- 16.19° | M- 17.60° B- 14.24° | M- 15.58° B- 12.70° | M- 13.98° B- 11.46° |
| 45° | M- 35.26° B- 30.00° | M- 27.19° B- 24.56° | M- 22.21° B- 20.70° | M- 18.80° B- 17.87° | M- 16.32° B- 15.70° | M- 14.43° B- 14.00° | M- 12.94° B- 12.62° |
| 50° | M- 32.73° B- 32.80° | M- 25.03° B- 26.76° | M- 20.36° B- 22.52° | M- 17.20° B- 19.41° | M- 14.91° B- 17.05° | M- 13.17° B- 15.19° | M- 11.80° B- 13.69° |
| 55° | M- 29.84° B- 35.40° | M- 22.62° B- 28.78° | M- 18.32° B- 24.18° | M- 15.44° B- 20.82° | M- 13.36° B- 18.27° | M- 11.79° B- 16.27° | M- 10.56° B- 14.66° |
| 60° | M- 26.57° B- 37.76° | M- 19.96° B- 30.60° | M- 16.10° B- 25.66° | M- 13.54° B- 22.07° | M- 11.70° B- 19.35° | M- 10.31° B- 17.23° | M- 9.23° B- 15.52° |
| 65° | M- 22.91° B- 39.86° | M- 17.07° B- 32.19° | M- 13.71° B- 26.95° | M- 11.50° B- 23.16° | M- 9.93° B- 20.29° | M- 8.74° B- 18.06° | M- 7.82° B- 16.26° |
| 70° | M- 18.88° B- 41.64° | M- 13.95° B- 33.53° | M- 11.17° B- 28.02° | M- 9.35° B- 24.06° | M- 8.06° B- 21.08° | M- 7.10° B- 18.75° | M- 6.34° B- 16.88° |
| 75° | M- 14.51° B- 43.08° | M- 10.65° B- 34.59° | M- 8.50° B- 28.88° | M- 7.10° B- 24.78° | M- 6.12° B- 21.69° | M- 5.38° B- 19.29° | M- 4.81° B- 17.37° |
| 80° | M- 9.85° B- 44.14° | M- 7.19° B- 35.37° | M- 5.73° B- 29.50° | M- 4.78° B- 25.30° | M- 4.11° B- 22.14° | M- 3.62° B- 19.68° | M- 3.23° B- 17.72° |
| 85° | M- 4.98° B- 44.78° | M- 3.62° B- 35.84° | M- 2.88° B- 29.87° | M- 2.40° B- 25.61° | M- 2.07° B- 22.41° | M- 1.82° B- 19.92° | M- 1.62° B- 17.93° |
| 90° | M- 0.00° B- 45.00° | M- 0.00° B- 36.00° | M- 0.00° B- 30.00° | M- 0.00° B- 25.71° | M- 0.00° B- 22.50° | M- 0.00° B- 20.00° | M- 0.00° B- 18.00° |

Each B (Bevel) and M (Miter) Setting is Given to the Closest 0.005°.

COMPOUND-ANGLE SETTINGS FOR POPULAR STRUCTURES

OPERATION

CUTTING CROWN MOLDING

The compound miter saw does an excellent job of cutting crown molding. In general, compound miter saws do a better job of cutting crown molding than any other tool made.

In order to fit properly, crown molding must be compound mitered with extreme accuracy.

The two contact surfaces on a piece of crown molding that fit flat against the ceiling and the wall of a room are at angles that, when added together, equal exactly 90° . Most crown molding has a top rear angle (the section that fits flat against the ceiling) of 52° and a bottom rear angle (the section that fits flat against the wall) of 38° .

LAYING MOLDING FLAT ON THE MITER TABLE

See Figure 34.

To use this method for accurately cutting crown molding for a 90° inside or outside corner, lay the molding with its broad back surface flat on the miter table and against the fence.

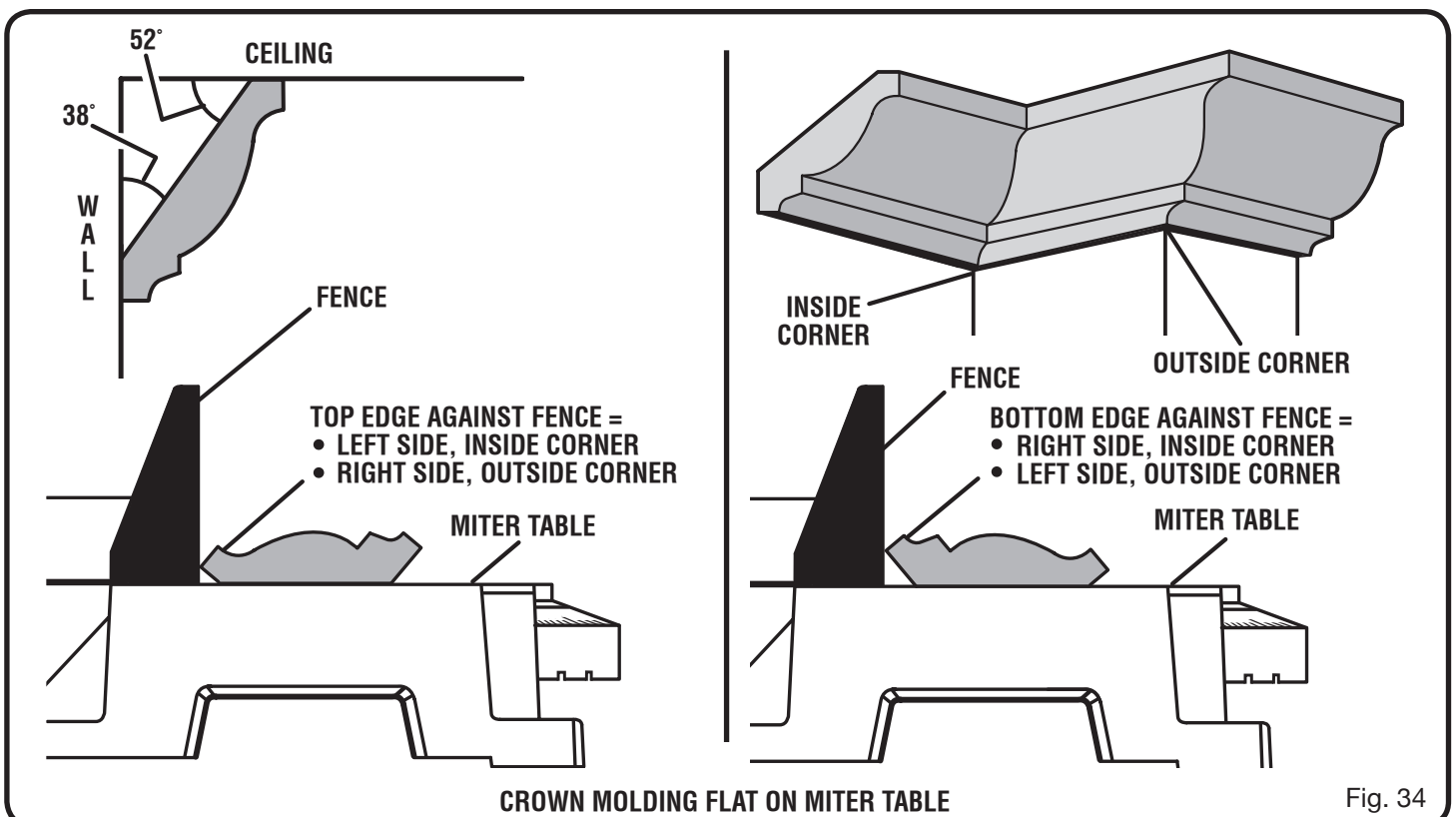
When setting the bevel and miter angles for compound miters, remember that the settings are interdependent; changing one angle changes the other angle as well.

Keep in mind that the angles for crown molding are very precise and difficult to set. Since it is very easy for these angles to shift, all settings should first be tested on scrap molding. Also most walls do not have angles of exactly 90° ; therefore, you will need to fine tune your settings.

When cutting crown molding by this method, the bevel angle should be set at 33.85° . The miter angle should be set at 31.6° either right or left, depending on the desired cut for the application. See the chart below for correct angle settings and correct positioning of crown molding on miter table.

The settings in the chart below can be used for cutting All Standard (U.S.) crown molding with 52° and 38° angles. The crown molding is placed flat on the miter table using the compound features of your miter saw.

| Bevel Angle Setting | Type of Cut |
|---------------------|---|
| 33.85° | Left side, inside corner 1. Top edge of molding against fence 2. Miter table set right 31.62° 3. Save left end of cut |
| 33.85° | Right side, inside corner 1. Bottom edge of molding against fence 2. Miter table set left 31.62° 3. Save left end of cut |
| 33.85° | Left side, outside corner 1. Bottom edge of molding against fence 2. Miter table set left 31.62° 3. Save right end of cut |
| 33.85° | Right side, outside corner 1. Top edge of molding against fence 2. Miter table set right 31.62° 3. Save right end of cut |



CROWN MOLDING FLAT ON MITER TABLE

Fig. 34

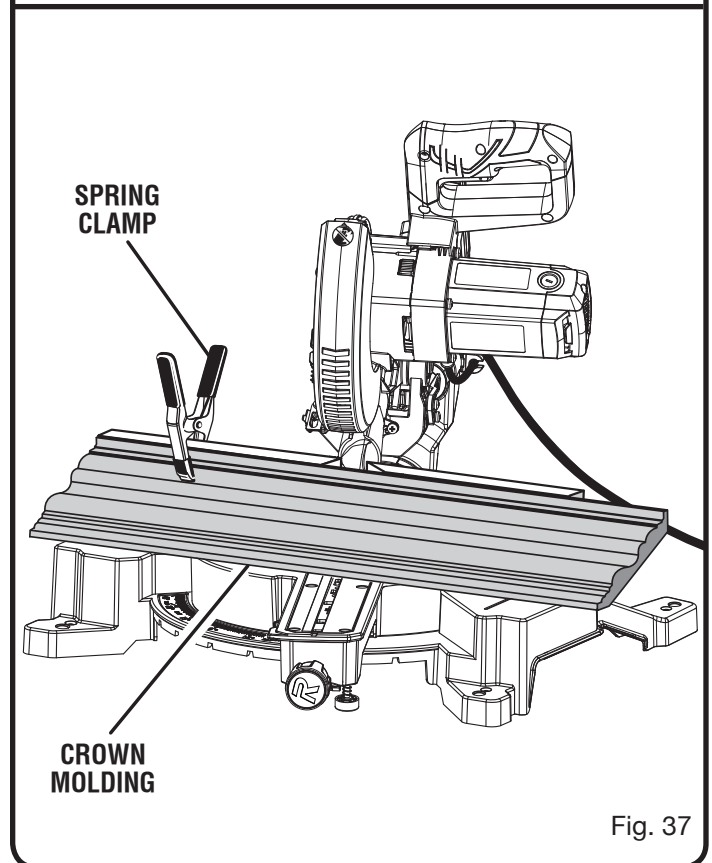
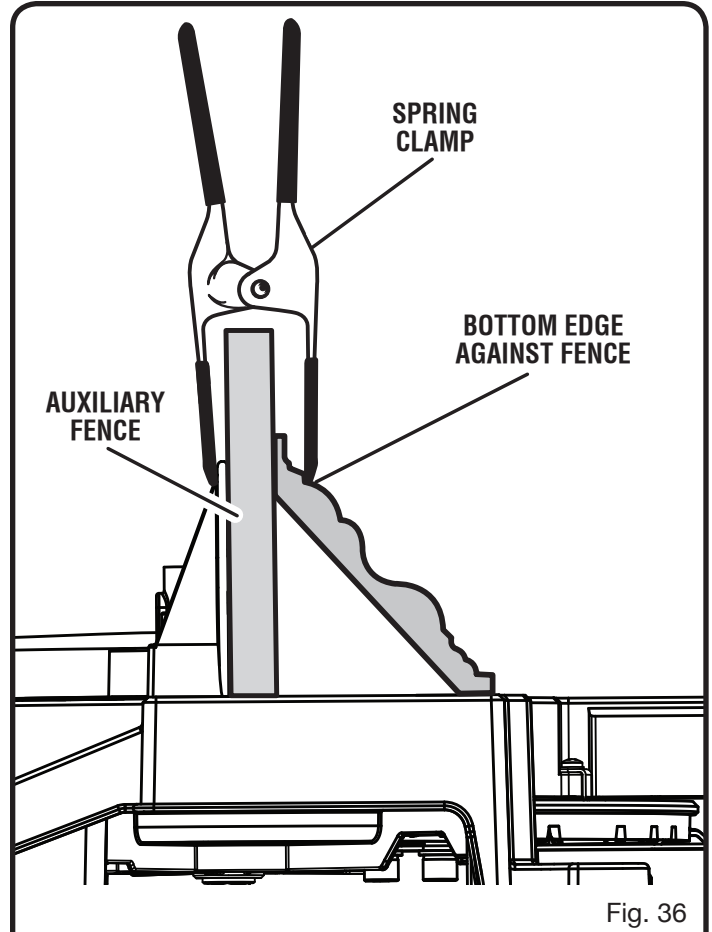
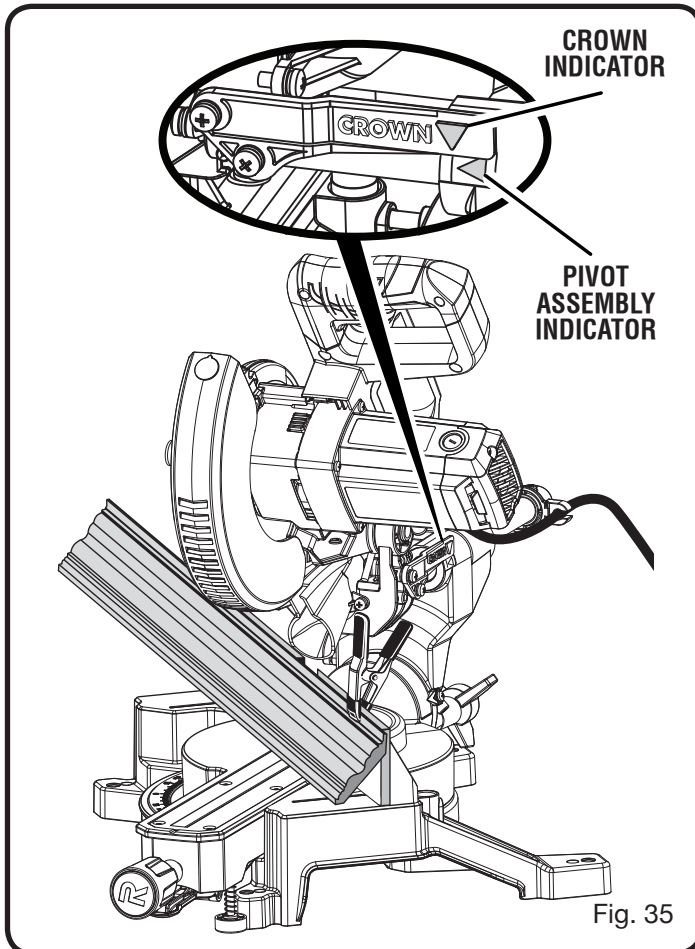
OPERATION

NESTING CROWN MOLDING AGAINST THE MITER FENCE

See Figure 35 - 37.

NOTE: This method of cut is for crown molding up to 3-3/8 in. tall, when using an auxiliary fence (as described on Page 24). Do not attempt to cut molding that is larger than 3-3/8 in. tall.

- Assemble and attach auxiliary fence as shown in figure 33.
- Align the arrow on the crown indicator with the arrow on the pivot assembly and tighten the slide lock knob securely.
- Set the bevel angle at 0° and the miter angle at 45° to either the left or the right. (For making 90° corners.)
- Nest and secure the crown molding against auxiliary fence using a spring clamp and hold crown molding securely.
- Before turning on the saw, perform a dry run of the cutting operation to make sure that no problems will occur when the cut is made.
- Grasp the saw handle firmly. Squeeze the switch trigger. Allow several seconds for the blade to reach maximum speed.
- Slowly lower the blade into and through the crown molding.



OPERATION

VERTICALLY CUTTING BASE MOLDING AGAINST THE MITER FENCE

See Figure 38.

- Set the bevel angle at 0° and the miter angle at 45° to either the left or the right. (For making 90° corners.)
- Place and secure the base molding vertically against the fence using a spring clamp and hold the base molding securely.

NOTE: To avoid interference between the base molding and the motor, the molding should be placed no more than a half-inch over the throat plate when cutting or trimming base molding at 45° right miter angles.

- Before turning on the saw, perform a dry run of the cutting operation to make sure that no problems will occur when the cut is made.
- Grasp the saw handle firmly. Squeeze the switch trigger. Allow several seconds for the blade to reach maximum speed.
- Slowly lower the blade into and through the base molding.

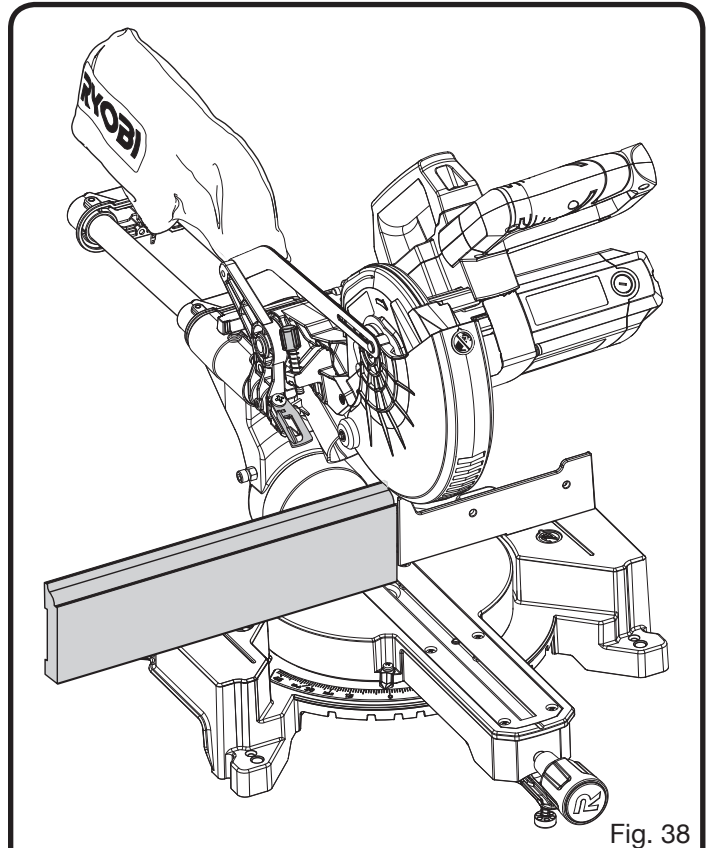
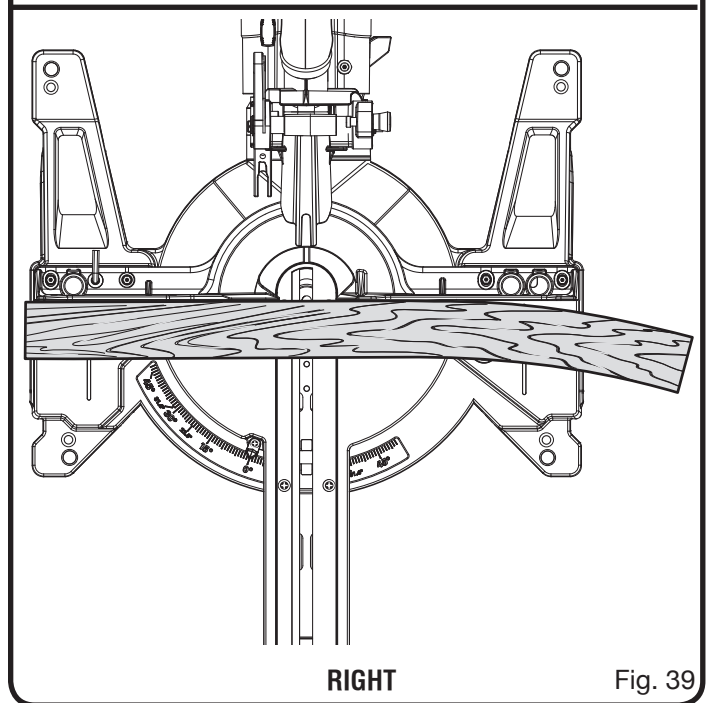


Fig. 38



RIGHT

Fig. 39

OPERATION

CUTTING WARPED MATERIAL

See Figures 39 - 40.

When cutting warped material, always make sure it is positioned on the miter table with the convex side against the fence as shown in figure 39.

If the warped material is positioned the wrong way as shown in figure 40, it will pinch the blade near the completion of the cut.



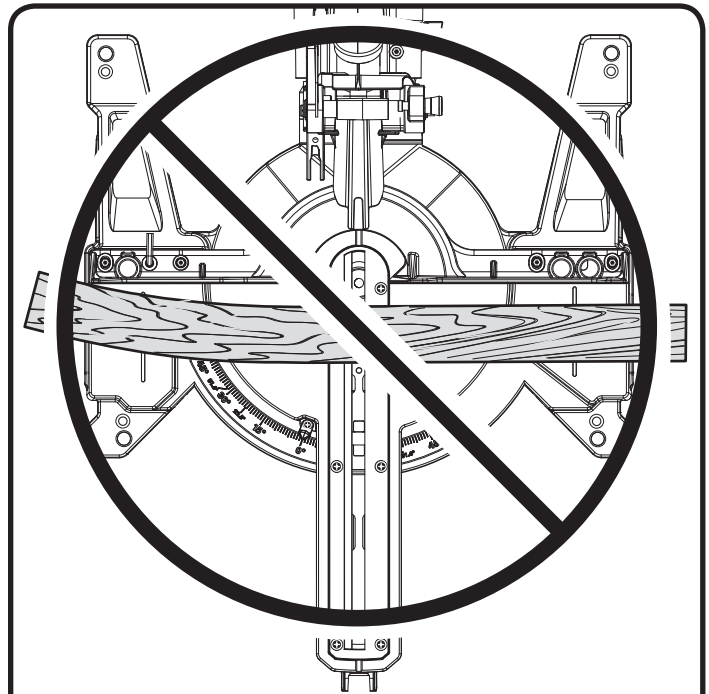
WARNING:

To avoid a kickback and to avoid serious personal injury, never position the concave edge of bowed or warped material against the fence.

CLAMPING WIDE WORKPIECES

See Figure 41.

When cutting wide workpieces, such as 2 in. x 6 in., boards should be clamped with a work clamp as shown in figure 41.



WRONG

Fig. 40

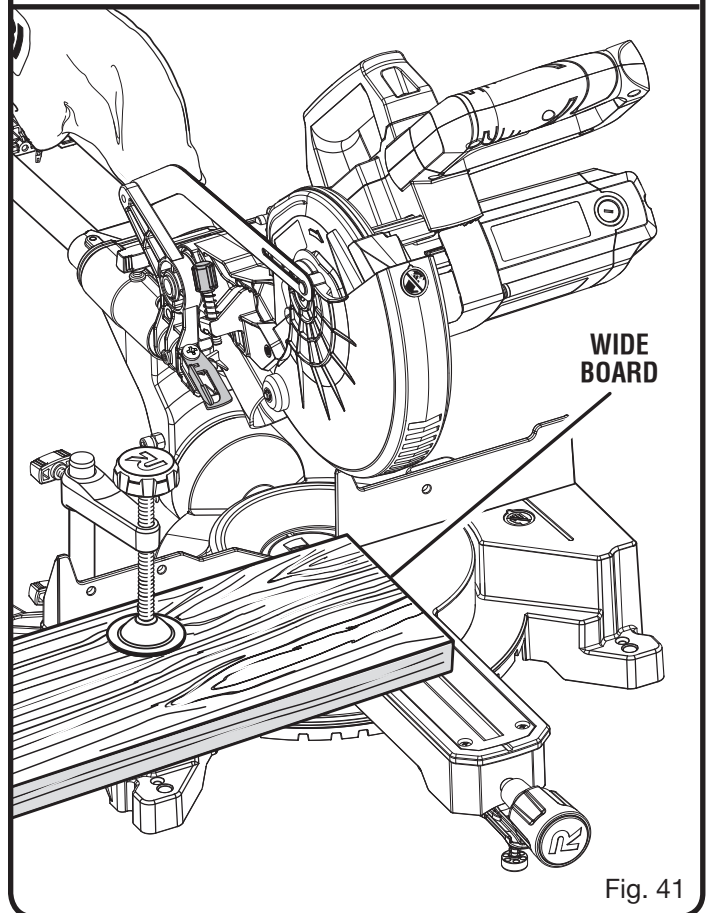


Fig. 41

ADJUSTMENTS

WARNING:

Before performing any adjustment, make sure the tool is unplugged from the power supply. Failure to heed this warning could result in serious personal injury.

The compound miter saw has been adjusted at the factory for making accurate cuts. However, some of the components might have been jarred out of alignment during shipping. Also, over a period of time, readjustment will probably become necessary due to wear. After unpacking the saw, check the following adjustments before you begin using saw. Make any readjustments that are necessary and periodically check the parts alignment to make sure that the saw is cutting accurately.

PIVOT ADJUSTMENTS

NOTE: These adjustments were made at the factory and normally do not require readjustment.

TRAVEL PIVOT ADJUSTMENT

- The saw arm should rise completely to the up position by itself.
- If the saw arm does not raise by itself or if there is play in the pivot joints, have saw repaired at your nearest **AUTHORIZED SERVICE CENTER**.

TO ADJUST THE BEVEL PIVOT

- The compound miter saw should bevel easily by loosening the bevel lock knob and tilting the saw.
- If movement is tight or if there is play in the pivot, have saw repaired at your nearest **AUTHORIZED SERVICE CENTER**.

POSITIVE STOP ADJUSTMENTS

See Figure 42.

NOTE: These adjustments were made at the factory and normally do not require readjustment.

To adjust:

- Unplug the saw.
- Loosen the bevel lock knob by turning the knob counterclockwise.
- Square the blade to the miter table as described in the *Assembly* section of this manual.
- If the blade is out of square, secure the lock nut in place and loosen or tighten the positive stop adjustment screw using the blade wrench provided.
- Retighten bevel lock knob. Recheck blade-to-table alignment.

NOTE: The above procedure can be used to check blade squareness of the saw blade to the miter table at both 0° and 45° angles.

Your saw has several scale indicators. After squaring adjustments have been made, it may be necessary to loosen the indicator screws and reset them to zero. See Figures 19 - 20.

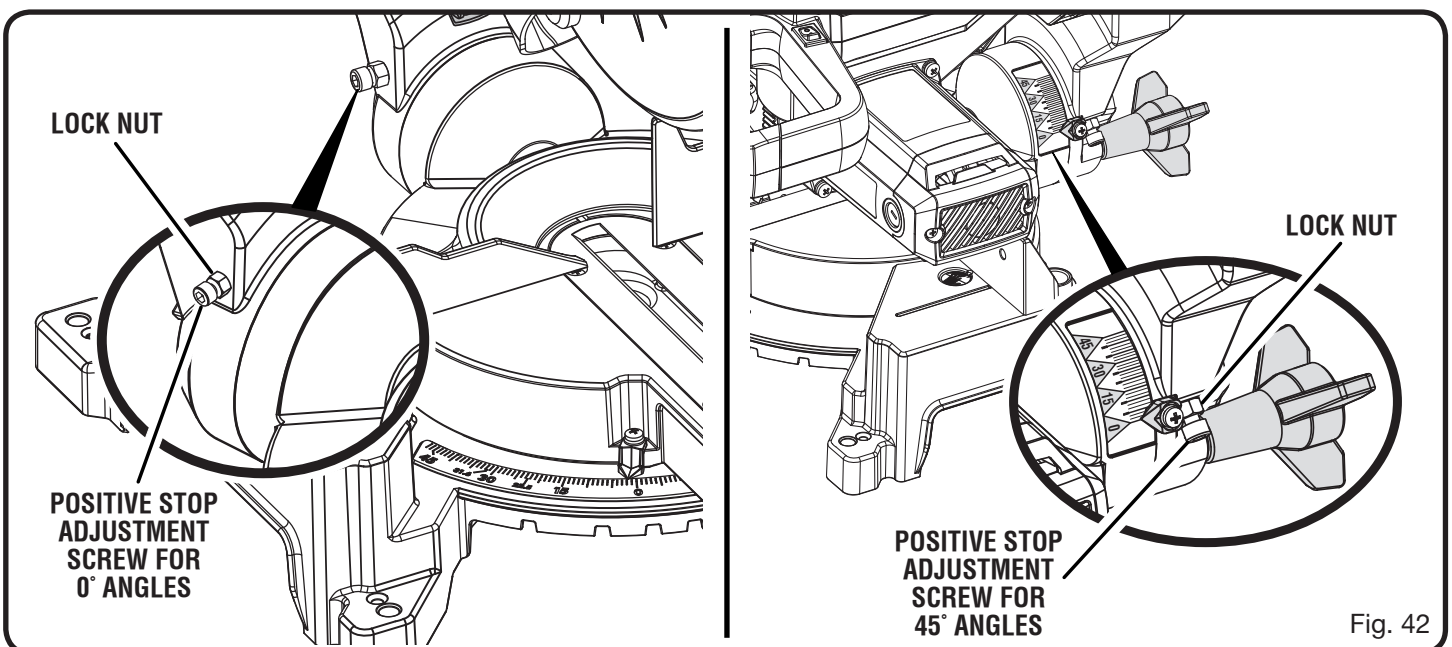


Fig. 42

MAINTENANCE

! WARNING:

When servicing, use only identical replacement parts. Use of any other part can create a hazard or cause product damage.

! WARNING:

Always wear eye protection with side shields marked to comply with ANSI Z87.1 during product operation. If operation is dusty, also wear a dust mask.

! WARNING:

Before performing any adjustment, make sure the tool is unplugged from the power supply. Failure to heed this warning could result in serious personal injury.

GENERAL MAINTENANCE

Avoid using solvents when cleaning plastic parts. Most plastics are susceptible to damage from various types of commercial solvents and may be damaged by their use. Use clean cloths to remove dirt, carbon dust, etc.

! WARNING:

Do not at any time let brake fluids, gasoline, petroleum-based products, penetrating oils, etc., come in contact with plastic parts. They contain chemicals that can damage, weaken, or destroy plastic.

Electric tools used on fiberglass material, wallboard, spackling compounds, or plaster are subject to accelerated wear and possible premature failure because the fiberglass chips and grindings are highly abrasive to bearings, brushes, commutators, etc. Consequently, we do not recommend using this tool for extended work on these types of materials. However, if you do work with any of these materials, it is extremely important to clean the tool using compressed air.

LUBRICATION

All of the bearings in this tool are lubricated with a sufficient amount of high grade lubricant for the life of the unit under normal operating conditions. Therefore, no further lubrication is required.

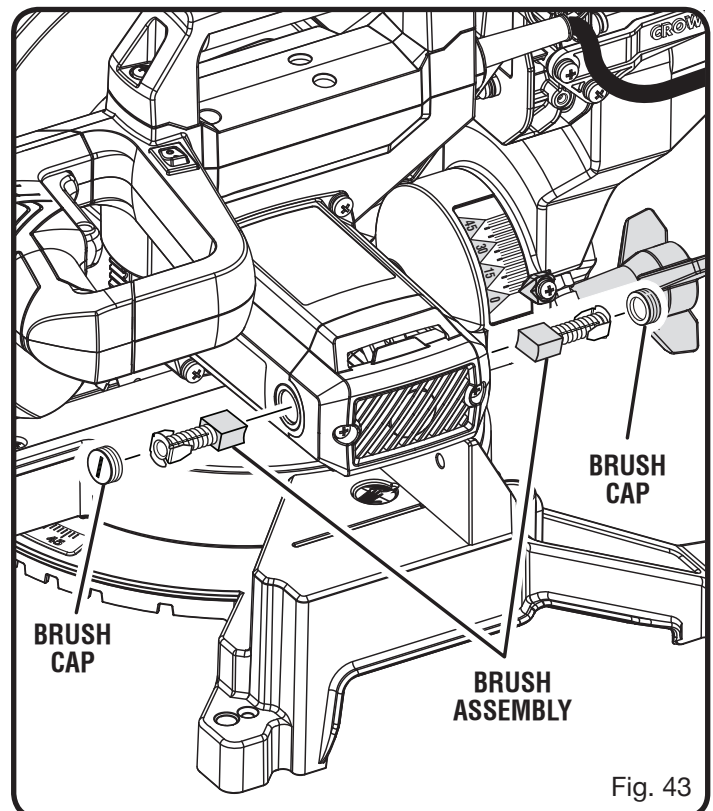
BRUSH REPLACEMENT

See Figure 43.

The saw has externally accessible brush assemblies that should be periodically checked for wear.

Proceed as follows when replacement is required:

- Unplug the saw.
- Remove brush cap with a screwdriver. Brush assembly is spring loaded and will pop out when you remove brush cap.
- Remove brush assembly.
- Check for wear. Replace both brushes when either has less than 1/4 in. length of carbon remaining. Do not replace one side without replacing the other.
- Reassemble using new brush assemblies. Make sure curvature of brush matches curvature of motor and that brush moves freely in brush tube.
- Make sure brush cap is oriented correctly (straight) and replace.
- Tighten brush cap securely. **Do not** overtighten.



RÈGLES DE SÉCURITÉ GÉNÉRALES



AVERTISSEMENT :

Lire attentivement toutes les instructions. Le non respect de toutes les instructions ci-dessous peut entraîner un choc électrique, un incendie et / ou des blessures graves.

LIRE TOUTES LES INSTRUCTIONS

- **VEILLER À BIEN CONNAÎTRE L'OUTIL.** Lire attentivement le manuel d'utilisation. Apprendre les applications et les limites de l'outil, ainsi que les risques spécifiques relatifs à son utilisation.
- **SE PROTÉGER DES CHOC ÉLECTRIQUES EN ÉVITANT TOUT CONTACT DU CORPS AVEC DES SURFACES MISES À LA TERRE.** Par exemple : tuyaux, radiateurs, cuisinières, réfrigérateurs.
- **MAINTENIR TOUS LES DISPOSITIFS DE PROTECTION EN PLACE** et en bon état de fonctionnement.
- **RETIRER LES CLÉS ET OUTILS DE RÉGLAGE.** Prendre l'habitude de vérifier que tous les outils et clés de réglage en ont été retirés de l'outil avant de le mettre en marche.
- **GARDER LE LIEU DE TRAVAIL PROPRE.** Les établis encombrés et les endroits sombres sont propices aux accidents. **NE PAS** laisser d'outils ou de pièces de bois sur la machine en fonctionnement.
- **NE PAS UTILISER DANS UN ENVIRONNEMENT DANGEREUX.** Ne pas utiliser les outils électriques dans des endroits mouillés ou humides, ne pas les exposer à la pluie. Garder le lieu de travail bien éclairé.
- **GARDER LES ENFANTS ET VISITEURS À L'ÉCART.** Tous les visiteurs doivent porter des lunettes de sécurité et se tenir à bonne distance de la zone de travail. Ne pas laisser les visiteurs toucher l'outil ou son cordon d'alimentation pendant le fonctionnement.
- **ASSURER LA SÉCURITÉ DES ENFANTS** dans l'atelier en installant des cadenas et des disjoncteurs ou en retirant les clés de contact.
- **NE PAS FORCER L'OUTIL.** Il exécutera le travail mieux et de façon moins dangereuse s'il fonctionne dans les limites prévues.
- **UTILISER L'OUTIL APPROPRIÉ.** Ne pas utiliser l'outil ou un accessoire pour effectuer un travail pour lequel il n'est pas conçu.
- **UTILISER UN CORDON PROLONGATEUR ADÉQUAT.** S'assurer que le cordon prolongateur est en bon état. Utiliser exclusivement un cordon d'une capacité suffisante pour supporter le courant de fonctionnement de l'outil. Un cordon de capacité insuffisante causerait une baisse de la tension de ligne, entraînant une perte de puissance et une surchauffe. Un calibre de fil (A.W.G.) d'au minimum **14** est recommandé pour un cordon prolongateur de 7,6 mètres (25 pieds) ou moins. En cas de doute, utiliser un cordon du calibre immédiatement supérieur. Moins le numéro de calibre est élevé, plus la capacité du fil est grande.
- **PORTER UNE TENUE APPROPRIÉE.** Ne pas porter de vêtements amples, gants, cravate ou bijoux. Ces articles pourraient être happés et tirer la main ou une partie du corps dans les pièces en mouvement. Les cheveux longs doivent être ramassés sous un couvre-chef.
- **TOUJOURS PORTER UNE PROTECTION OCULAIRE AVEC ÉCRAN LATÉRAUX CERTIFIÉE CONFORME À LA NORME ANSI Z87.1 LORS DE L'UTILISATION DE PRODUIT.** Si cette précaution n'est pas prise, des objets peuvent être projetés dans les yeux et causer des lésions graves.
- **ASSUJETTIR LES PIÈCES.** Dans la mesure du possible, utiliser des serre-joint ou un étau, ce qui réduit les risques et laisse les deux mains libres pour contrôler l'outil.
- **NE PAS TRAVAILLER HORS DE PORTÉE.** Toujours se tenir bien campé et en équilibre.
- **ENTREtenir SOIGNEUSEMENT LES OUTILS.** Garder les outils bien affûtés et propres pour accroître la sécurité et les performances. Suivre les instructions de lubrification et de changement d'accessoires.
- **DÉBRANCHER TOUS LES OUTILS.** Tous les outils doivent être débranchés lorsqu'ils ne sont pas en usage et avant toute opération d'entretien ou de changement d'accessoire, lame, forer, fers, etc.
- **ÉVITER LES DÉMARRAGES ACCIDENTELS.** S'assurer que le commutateur est en position d'arrêt avant de brancher un outil.
- **UTILISER LES ACCESSOIRES RECOMMANDÉS.** Voir les accessoires recommandés dans le manuel d'utilisation. L'usage de tout accessoire incorrect peut être dangereux.
- **NE JAMAIS MONTER SUR L'OUTIL.** Un basculement pourrait entraîner des blessures graves ou si l'on touche involontairement la partie tranchante.
- **VÉRIFIER L'ÉTAT DES PIÈCES.** Avant d'utiliser l'outil de nouveau examiner soigneusement les pièces et dispositifs de protection qui semblent endommagés afin de déterminer s'ils fonctionnent correctement et s'ils remplissent les fonctions prévues. Vérifier l'alignement des pièces mobiles, s'assurer qu'aucune pièce n'est bloquée ou cassée, vérifier la fixation de chaque pièce et s'assurer qu'aucun autre problème ne risque d'affecter le bon fonctionnement de l'outil. Pour éviter les risques de blessures, toute protection ou pièce endommagée doit être correctement réparée ou remplacée dans un centre de réparations agréé.
- **ENGAGER LES PIÈCES DANS LE SENS CORRECT.** La pièce ne doit être engagée que contre le sens de rotation de la lame, de l'accessoire ou de la toupie de ponçage.
- **NE JAMAIS LAISSER L'OUTIL EN FONCTIONNEMENT SANS SURVEILLANCE. COUPER L'ALIMENTATION ÉLECTRIQUE.** Ne pas s'éloigner de l'outil avant qu'il soit parvenu à un arrêt complet.
- **PORTER UNE PROTECTION RESPIRATOIRE.** Porter un masque facial ou respiratoire si le travail produit de la poussière.
- **PORTER UNE PROTECTION AUDITIVE.** Porter une protection auditive durant les périodes d'utilisation prolongée.

RÈGLES DE SÉCURITÉ GÉNÉRALES

- **NE PAS MALTRAITER LE CORDON D'ALIMENTATION.** Ne jamais utiliser le cordon d'alimentation pour transporter l'outil et ne jamais débrancher ce dernier en tirant sur le cordon. Garder le cordon à l'écart de la chaleur, de l'huile et des objets tranchants.
- **N'UTILISER QUE DES CORDONS PROLONGATEURS POUR EXTÉRIEUR.** Pour les travaux à l'extérieur, utiliser exclusivement des cordons spécialement conçus à cet effet, marqués en conséquence, et dotés d'une prise de terre agréé.
- **GARDER LES LAMES PROPRES, BIEN AFFÛTÉES ET SUFFISAMMENT AVOYÉES.** Des lames affûtées réduisent les risques de blocage et de rebond.
- **LES LAMES CONTINUENT DE TOURNER EN ROUE LIBRE UNE FOIS LA SCIE MISE HORS TENSION.**
- **NE JAMAIS UTILISER CET OUTIL DANS UNE ATMOSPHÈRE EXPLOSIVE.** Les étincelles normalement produites par le moteur pourraient enflammer les vapeurs.
- **INSPECTER RÉGULIÈREMENT LES CORDONS DE L'OUTIL.** Faire remplacer tout commutateur défectueux par un technicien qualifié ou un centre de réparations agréé. Tout cordon endommagé doit être réparé ou remplacé immédiatement. Toujours rester conscient de l'emplacement du cordon et veiller à le tenir à l'écart de la lame en rotation.
- **INSPECTER RÉGULIÈREMENT LES CORDONS PROLONGATEURS** et les remplacer s'ils sont endommagés.
- **FICHES POLARISÉES.** Pour réduire les risques de choc électrique, cet outil est équipé d'une fiche polarisée (une broche est plus large que l'autre). Cette fiche ne peut être branchée sur une prise polarisée que dans un sens. Si la fiche ne peut pas être insérée dans la prise, l'inverser. Si elle ne peut toujours pas être insérée, faire installer une prise adéquate par un électricien qualifié. Ne pas modifier la fiche, de quelque façon que ce soit.
- **GARDER L'OUTIL SEC, PROPRE ET EXEMPT D'HUILE OU DE GRAISSE.** Toujours utiliser un chiffon propre pour le nettoyage. Ne jamais utiliser de liquide de freins, d'essence ou de produits à base de pétrole pour nettoyer l'outil.
- **RESTER VIGILANT ET GARDER LE CONTRÔLE.** Se montrer attentif et faire preuve de bon sens. Ne pas utiliser l'outil en état de fatigue. Ne pas se presser.
- **NE PAS UTILISER L'OUTIL SI LE COMMUTATEUR NE PERMET PAS DE LE METTRE EN MARCHÉ OU DE L'ARRÊTER.** Faire remplacer les commutateurs défectueux dans un centre de réparations agréé.
- **N'UTILISER QUE LES LAMES APPROPRIÉES.** Ne pas utiliser de lames dont le trou n'est pas de la taille correcte. Ne jamais utiliser de rondelles ou boulons de lame défectueux ou de type incorrect. La taille maximum de lame pouvant être utilisée sur cet outil est de 7-1/4 po.
- **S'ASSURER QUE TOUS LES DISPOSITIFS DE PROTECTION FONCTIONNENT CORRECTEMENT AVANT D'EFFECTUER UNE COUPE.**
- **S'ASSURER QU'AUCUN CLOU NE SE TROUVE SUR LA TRAJECTOIRE DE LA LAME.** Inspecter la pièce et retirer les clous éventuels avant de la couper.
- **NE JAMAIS TOUCHER LA LAME** ou les pièces en mouvement pendant le fonctionnement.
- **NE JAMAIS METTRE UN OUTIL EN MARCHÉ LORSQU'UNE PIÈCE EN ROTATION QUELCONQUE EST EN CONTACT AVEC LA PIÈCE À COUPER.**
- **NE PAS UTILISER CET OUTIL SOUS L'INFLUENCE DE L'ALCOOL, DE DROGUES OU DE MÉDICAMENTS.**
- Utiliser exclusivement des pièces identiques à celles d'origine **POUR LES RÉPARATIONS.** L'usage de toute autre pièce pourrait créer une situation dangereuse ou endommager l'outil.
- **UTILISER EXCLUSIVEMENT LES ACCESSOIRES RECOMMANDÉS** dans ce manuel ou ses addendas. L'emploi de tout accessoire non recommandé peut présenter un risque de blessure. Les instructions de sécurité d'utilisation sont fournies avec les accessoires.
- **VÉRIFIER DEUX FOIS TOUS LES RÉGLAGES.** S'assurer que la lame est bien serrée et ne touche ni la scie, ni la pièce à couper avant de brancher la scie sur le secteur.

RÈGLES DE SÉCURITÉ PARTICULIÈRES




- **ASSUJETTIR OU BOULONNER SOLIDEMENT** la machine sur un établi ou autre plan de travail, approximativement à la hauteur des hanches.
- **GARDER LES MAINS À L'ÉCART DE LA ZONE DE COUPE.** Ne placer en aucun cas la main ou les doigts au-dessous de la pièce à couper ou sur la trajectoire de la lame. Toujours éteindre la scie.
- **TOUJOURS SOUTENIR LES PIÈCES LONGUES** pendant le travail, afin d'éviter les risques de pincement de la lame et de rebond. La scie peut riper, se déplacer ou glisser lors de la coupe de planches longues ou lourdes.
- Dans la mesure du possible, **TOUJOURS UTILISER UN SERRE-JOINT** pour maintenir la pièce.
- **S'ASSURER QUE LA LAME NE TOUCHE PAS LA PIÈCE.** Ne jamais mettre la scie en marche si la lame touche la pièce à couper. Toujours laisser le moteur atteindre sa pleine vitesse de rotation avant de commencer la coupe.
- **S'ASSURER QUE LA TABLE À ONGLETS ET LE BRAS DE LA SCIE (FONCTION DE BISEAU) SONT VERROUILLÉS EN PLACE AVANT DE METTRE LA SCIE EN MARCHÉ.** Bloquer la table à onglets en serrant fermement la poignée de verrouillage d'onglet. Verrouiller le bras de la scie (fonction de biseau) en serrant fermement le bouton de verrouillage de biseau.

RÈGLES DE SÉCURITÉ PARTICULIÈRES







- **NE JAMAIS UTILISER DE BUTÉE RÉGLABLE SUR L'EXTRÉMITÉ CHUTE D'UNE PIÈCE À COUPER. NE JAMAIS** tenir ou attacher l'extrémité chute d'une pièce, quelle que soit l'opération de coupe. Si un serre-joint et une butée réglable sont utilisés ensemble, ces deux articles doivent être installés du même côté de la table de scie pour empêcher que la lame ne morde dans le côté libre et projette la pièce vers le haut.
- **NE JAMAIS** couper plus d'une pièce à la fois. **NE JAMAIS** empiler de pièces sur la table de la scie.
- **NE JAMAIS TRAVAILLER À MAIN LEVÉE.** Toujours placer la pièce à couper sur la table à onglets et la pousser fermement contre le guide pour la bloquer. Toujours utiliser le guide.
- **NE JAMAIS** tenir à la main une pièce trop petite pour être maintenue par un serre-joint. Garder les mains à l'écart de la zone de coupe.
- **NE JAMAIS** placer la main ou les doigts derrière, au-dessous ou à moins de 76 mm (3 po) de la lame ou de sa trajectoire, pour quelque raison que ce soit.
- **NE JAMAIS** essayer de saisir une pièce, une chute ou quoi que ce soit se trouvant dans ou à proximité de la trajectoire de la lame.
- **NE JAMAIS** se déplacer à l'ajustement de pièce ou marque à n'importe quel angle de coupe pendant que la scie court et la lame tourne. N'importe quelle erreur peut avoir pour résultat le contact avec la lame causant des blessures graves.
- **ÉVITER LES OPÉRATIONS ET POSITIONS INCOMMODES** posant un risque de glissement soudain de la main vers la lame. **TOUJOURS** se tenir bien en équilibre. **NE JAMAIS** utiliser la scie à onglets sur le sol ou en se tenant accroupi.
- **NE JAMAIS** se tenir ou laisser une partie du corps se trouver dans la trajectoire de la lame.
- **TOUJOURS** éteindre la scie et attendre l'arrêt complet de la lame avant de la relever de la pièce.
- **NE JAMAIS FAIRE PASSER LE COMMUTATEUR DE LA POSITION MARCHÉ À LA POSITION ARRÊT RAPIDEMENT.** Ceci pourrait causer le desserrage de la lame, créant une situation dangereuse. Si cela se produit, s'éloigner de la scie et attendre l'arrêt complet de la lame. Débrancher la scie de la prise secteur et resserrer le boulon de lame.
- **SI UNE PIÈCE QUELCONQUE DE LA SCIE MANQUE,** est brisée, déformée ou présente quelque défaut que ce soit, ou si un composant électrique quel qu'il soit ne fonctionne pas correctement, éteindre la scie, la débrancher de la prise secteur et faire réparer ou remplacer la pièce manquante, endommagée ou défaillante avant de remettre la scie en service.
- **TOUJOURS ÊTRE ATTENTIF !** Ne pas laisser la familiarité avec l'outil (acquise par une utilisation fréquente) causer une erreur stupide. **TOUJOURS ÊTRE CONSCIENT** qu'une fraction de seconde d'inattention peut entraîner des blessures graves.
- **SI LE CORDON D'ALIMENTATION EST ENDOMMAGÉ,** il doit être remplacé uniquement pas le fabricant ou par un centre de réparation agréé pour éviter tout risque.
- **S'ASSURER QUE LA ZONE DE TRAVAIL EST SUFFISAMMENT ÉCLAIRÉE** pour voir ce que l'on fait et qu'aucun obstacle ne peut nuire à la sécurité d'utilisation **AVANT** d'effectuer quelque coupe que ce soit.
- **TOUJOURS ÉTEINDRE LA SCIE** avant de la débrancher pour éviter un démarrage accidentel lors du branchement pour l'utilisation suivante. **NE JAMAIS** laisser la scie branchée sans surveillance.
- **RELÂCHER LA GÂCHETTE** et attendre l'arrêt complet de la lame avant de déplacer la pièce ou de modifier les réglages.
- Les avertissements ci-dessous doivent être apposés sur **CET OUTIL** :
 - a) Porter une protection oculaire.
 - b) Garder les mains hors du passage de la lame.
 - c) Ne pas utiliser la scie sans que tous les dispositifs de protection soient en place.
 - d) Ne jamais travailler à main levée.
 - e) Ne jamais passer la main ou le bras autour de la lame.
 - f) Éteindre l'outil et attendre l'arrêt de la lame pour déplacer la pièce ou modifier les réglages.
 - g) Couper l'alimentation (ou débrancher l'outil, selon le cas) avant de changer la lame ou d'effectuer un entretien.
 - h) Vitesse à vide.
- **TOUJOURS S'ASSURER QUE L'A VU QUE LA LAME A LE DEGAGEMENT DE TOUTES OBSTRUCTIONS AVANT DE TOURNER L'A VU SUR.**
- **EFFECTUER DES COUPES COULISSANTES** en poussant la lame de la scie contre le haut de la pièce à travailler puis en la faisant coulisser vers l'arrière de la scie. **NE PAS** tirer la scie vers soi lors de la coupe.
- **TOUJOURS** transporter l'outil par la poignée prévue à cet effet.
- **CETTE SCIE EST UNIQUEMENT CONÇUE POUR COUPER DU BOIS, DES DÉRIVÉS DU BOIS ET CERTAINS PLASTIQUES. NE PAS COUPER DE MÉTAUX, CÉRAMIQUES OU PRODUITS DE MAÇONNERIE.**
- **CETTE SCIE PEUT BASCULER SI SA TÊTE** est relâchée brusquement et assujettie à un plan de travail. Pour éviter des blessures graves, **TOUJOURS** assujettir la scie à un plan de travail stable.
- **CONSERVER CES INSTRUCTIONS.** Les consulter fréquemment et les utiliser pour instruire les autres utilisateurs. Si cet outil est prêté, il doit être accompagné de ces instructions.

SYMBOLES

Les termes de mise en garde suivants et leur signification ont pour but d'expliquer le degré de risques associé à l'utilisation de ce produit.

| SYMBOLE | SIGNAL | SIGNIFICATION |
|---|------------------------|--|
|  | DANGER : | Indique une situation dangereuse qui, si elle n'est pas évitée, aura pour conséquences des blessures graves ou mortelles. |
|  | AVERTISSEMENT : | Indique une situation dangereuse qui, si elle n'est pas évitée, pourrait entraîner des blessures graves ou mortelles. |
|  | ATTENTION : | Indique une situation dangereuse qui, si elle n'est pas évitée, pourrait entraîner des blessures légères ou de gravité modérée. |
| | AVIS : | (Sans symbole d'alerte de sécurité) Indique les informations jugées importantes sans toutefois représenter un risque de blessure (ex. : messages concernant les dommages matériels). |

Certains des symboles ci-dessous peuvent être utilisés sur l'outil. Veiller à les étudier et à apprendre leur signification. Une interprétation correcte de ces symboles permettra d'utiliser l'outil plus efficacement et de réduire les risques.

| SYMBOLE | NOM | DÉSIGNATION / EXPLICATION |
|---|-------------------------------------|--|
|  | Symbole d'alerte de sécurité | Indique un risque de blessure potentiel. |
|  | Lire le manuel d'utilisation | Pour réduire les risques de blessures, l'utilisateur doit lire et veiller à bien comprendre le manuel d'utilisation avant d'utiliser ce produit. |
|  | Protection oculaire | Toujours porter une protection oculaire avec écrans latéraux certifiée conforme à la norme ANSI Z87.1. |
|  | Symbole Mains à l'écart | Le non-respect de cette mise en garde peut entraîner des blessures graves. |
|  | Avertissement concernant l'humidité | Ne pas exposer à la pluie ou l'humidité. |
| V | Volts | Tension |
| A | Ampères | Intensité |
| Hz | Hertz | Fréquence (cycles par seconde) |
| min | Minutes | Temps |
| ~ | Courant alternatif | Type de courant |
| n_0 | Vitesse à vide | Vitesse de rotation à vide |
|  | Construction de classe II | Construction à double isolation |
| .../min | Par minute | Tours, coups, vitesse périphérique, orbites, etc., par minute |

CARACTÉRISTIQUES ÉLECTRIQUES

DOUBLE ISOLATION

La double isolation est un dispositif de sécurité utilisé sur les outils à moteur électriques, éliminant le besoin de cordon d'alimentation habituel à trois fils avec terre. Toutes les pièces métalliques exposées sont isolées des composants internes du moteur par l'isolation protectrice. Les outils à double isolation ne nécessitent pas de mise à la terre.



AVERTISSEMENT :

Le système à double isolation est conçu pour protéger l'utilisateur contre les chocs électriques causés par une rupture du câblage interne de l'outil. Prendre toutes les précautions de sécurité normales pour éviter les chocs électriques.

NOTE : La réparation d'un outil à double isolation exigeant des précautions extrêmes ainsi que la connaissance du système, elle ne doit être confiée qu'à un réparateur qualifié. En ce qui concerne les réparations, nous recommandons de confier l'outil au centre de réparation le plus proche. Utiliser exclusivement des pièces d'origine pour les réparations.

CONNEXIONS ÉLECTRIQUES

Cet outil est équipé d'un moteur électrique de précision. Il doit être branché uniquement sur **une alimentation 120 V, c.a. (courant résidentiel standard), 60 Hz**. Ne pas utiliser cet outil sur une source de courant continu (c.c.). Une chute de tension importante causerait une perte de puissance et une surchauffe du moteur. Si l'outil ne fonctionne pas une fois branché, vérifier l'alimentation électrique.

CORDONS PROLONGATEURS

Lors de l'utilisation d'un outil électrique à grande distance d'une prise secteur, veiller à utiliser un cordon prolongateur d'une capacité suffisante pour supporter l'appel de courant de l'outil. Un cordon de capacité insuffisante causerait une baisse de la tension de ligne, entraînant une perte de puissance et une surchauffe. Se reporter au tableau ci-dessous pour déterminer le calibre minimum de fil requis pour un cordon

donné. Utiliser exclusivement des cordons à gaine cylindrique homologués par Underwriter's Laboratories (UL).

Pour le travail à l'extérieur, utiliser un cordon prolongateur spécialement conçu à cet effet. Ce type de cordon porte l'inscription « WA » ou « W » sur sa gaine.

Avant d'utiliser un cordon prolongateur, vérifier que ses fils ne sont ni détachés ni exposés et que son isolation n'est ni coupée, ni usée.

**Intensité nominale (sur la plaquette signalétique de l'outil)

0-2,0 2,1-3,4 3,5-5,0 5,1-7,0 7,1-12,0 12,1-16,0

| Longueur du cordon | Calibre de fil (A.W.G.) | | | | | |
|-----------------------|----------------------------|----|----|----|----|----|
| | 16 | 16 | 16 | 14 | 14 | 12 |
| 25' | 16 | 16 | 16 | 14 | 14 | 14 |
| 50' | 16 | 16 | 16 | 14 | 14 | 12 |
| 100' | 16 | 16 | 14 | 12 | 10 | — |

**Utilisé sur circuit de calibre 12 – 20 A

NOTE : AWG = American Wire Gauge



AVERTISSEMENT :

Maintenir le cordon prolongateur à l'écart de la zone de travail. Lors du travail avec un cordon électrique, placer le cordon de manière à ce qu'il ne risque pas de se prendre dans les pièces de bois, outils et autres obstacles. Ne pas prendre cette précaution peut entraîner des blessures graves.



AVERTISSEMENT :

Vérifier l'état des cordons prolongateurs avant chaque utilisation. Remplacer immédiatement tout cordon endommagé. Ne jamais utiliser un outil dont le cordon d'alimentation est endommagé, car tout contact avec la partie endommagée pourrait causer un choc électrique et des blessures graves.

GLOSSAIRE

Griffes antirebond (scies à table et radiales)

Dispositifs qui, s'ils sont correctement installés et entretenus, sont conçus pour empêcher que la pièce coupée soit propulsée en direction de l'opérateur durant la refente.

Axe

Pièce sur laquelle une lame ou un outil de coupe est monté.

Coupe en biseau

Coupe effectuée avec la lame sur toute position autre que perpendiculaire (90°) à la table.

Chanfrein

Coupe en biseau effectuée sur l'extrémité (ou une partie de l'extrémité) d'une pièce, de manière à ce qu'il présente un angle autre que 90°.

Coupe composée

Coupe transversale présentant un angle d'onglet et un angle de biseau.

Coupe transversale

Coupe ou profilage effectué en travers du grain de la pièce.

Tête de coupe (raboteuses et raboteuses/dégauchisseuses)

Pièce rotative munie de lames réglables. La tête de coupe enlève du matériau de la pièce.

Rainage (scies à table et scies à onglets composés)

Entaille qui produit une rainure ou gorge de forme rectangulaire dans la pièce de bois.

Cale-guide (scies à table)

Dispositif utilisé pour faciliter le contrôle de la pièce à couper en la guidant contre la table ou le guide lors des coupes longitudinales.

pi/min ou coups/min

Nombre de pieds par minute (ou coups par minute). Terme utilisé en référence au mouvement de la lame.

Main levée

Exécution d'une coupe sans que la pièce soit soutenue par un guide longitudinal, un guide d'onglet ou autre dispositif.

Gomme

Résidu collant formé par la sève du bois.

Talon

Alignement de la lame par rapport au guide.

Trait de scie

Quantité de matériau éliminé par la lame lors de coupes traversantes ou l'entaille produite lors de coupes non traversantes ou partielles.

Rebond

Réaction dangereuse se produisant lorsque la lame est pincée ou bloquée et projetant la pièce en train d'être coupée dans le sens de la rotation de la lame.

Coupe d'onglet

Coupe effectuée avec la lame sur toute position autre que perpendiculaire (90°) à la table.

Coupes non traversantes (scies à table et scies à onglets composés)

Toute coupe avec laquelle la lame ne traverse pas complètement la pièce. Il s'agit de faire une coupe sans que la lame coupe la pièce à travailler en deux.

Trou pilote (perceuses à colonne et scie à découper)

Petit trou pratiqué dans une pièce servant de guide pour assurer la précision d'un trou de plus grand diamètre ou pour l'insertion d'une lame de scie à découper.

Blocs poussoirs (pour dégauchisseuses/raboteuses)

Dispositifs utilisés pour pousser le matériau contre la tête de coupe lors de toute opération. Ce dispositif aide à tenir la main de l'opérateur bien à l'écart de la lame.

Blocs poussoirs et bâtons poussoirs (pour scies à table)

Dispositifs utilisés pour pousser le matériau contre la lame lors de la coupe. Toujours utiliser un poussoir (et non un bloc) pour effectuer une refente étroite sans l'aide d'un gabarit ou d'un autre accessoire semblable. Il est possible d'utiliser un bloc pour effectuer une refente étroite si un gabarit ou un autre accessoire semblable est utilisé. Ce dispositif aide à tenir la main de l'opérateur bien à l'écart de la lame.

Feuillure

Entaille située au bout ou sur le bord de la pièce de bois qui y produit une rainure ou une gorge de forme rectangulaire.

Refente (scies à table et scies à ruban)

Opération de coupe destinée à réduire l'épaisseur d'une pièce pour en produire plusieurs, plus minces.

Résine

Résidu collant formé par la sève du bois durcie.

Tours minute (r/min ou RPM)

Nombre de rotations effectuées par un objet en une minute.

Coupe longitudinale ou refente (scies à table)

Opération de coupe dans le sens de la longueur de la pièce et normalement dans le sens du grain du bois.

Couteau diviseur/écarteur (scies à table)

Pièce de métal légèrement plus mince que la lame, gardant le trait de scie ouvert pour empêcher le rebond.

Trajectoire de la lame de scie

Zone au-dessus, au-dessous, en avant ou en arrière de la lame. En ce qui concerne la pièce, la partie qui sera ou a été coupée par la lame.

Sifflet (raboteuses)

Enfoncement à l'extrémité d'une pièce causé par les lames de la tête de coupe lorsque la pièce n'est pas correctement soutenue.

Effiler la Coupe

Une coupe où le matériel est coupé à une ancho différente au début de la coupe de la fin.

Coupe traversante

Toute opération de coupe avec laquelle la lame traverse toute l'épaisseur de la pièce. Cette sorte de coupe séparera une pièce à travailler en deux morceaux.

Pièce ou matériau

L'article sur lequel le travail est effectué.

Table

Surface sur laquelle la pièce repose lors des opérations de coupe, de perçage, de rabotage ou de ponçage.

CARACTÉRISTIQUES

FICHE TECHNIQUE

Trou d'axe..... 16 mm (5/8 po)
 Diamètre de la lame..... 184 mm (7-1/4 po)
 Vitesse à vide 5 350 r/min (RPM)
 Alimentation..... 120 V, C.A. seulement, 60 Hz, 10 A
 Capacité de coupe avec onglet 0° / biseau 0° :
 Tailles de bois nominales
 maximales 38 mm x 234,9 mm (1-1/2 po x 9-1/4 po)

Capacité de coupe avec onglet 45° / biseau 0° :
 Tailles de bois nominales
 maximales 38 mm x 152,4 mm (1-1/2 po x 6 po)
 Capacité de coupe avec onglet 0° / biseau 45° :
 Tailles de bois nominales
 maximales 38 mm x 234,9 mm (1-1/2 po x 9-1/4 po)
 Capacité de coupe avec onglet 45° / biseau 45° :
 Tailles de bois nominales
 maximales 38 mm x 152,4 mm (1-1/2 po x 6 po)

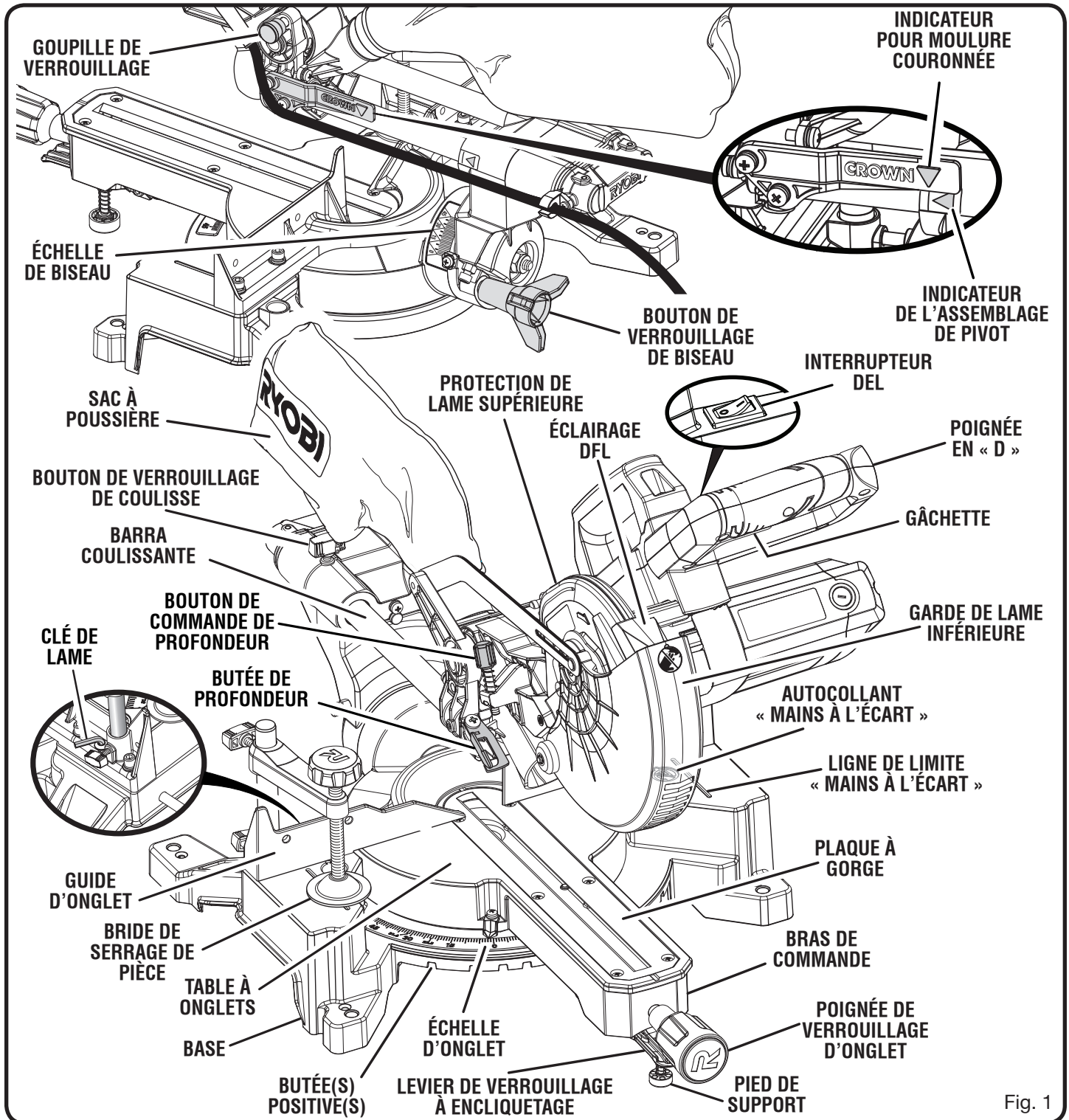


Fig. 1

CARACTÉRISTIQUES

APPRENDRE À CONNAÎTRE LA SCIE À ONGLETS COMPOSÉS

Voir la figure 1.

L'utilisation sûre de ce produit exige une compréhension des renseignements figurant sur l'outil et contenus dans le manuel d'utilisation, ainsi qu'une bonne connaissance du projet entrepris. Avant d'utiliser ce produit, se familiariser avec toutes ses fonctions et règles de sécurité.

184 mm (7-1/4 po) LAME

Une lame de 184 mm (7-1/4) po est fournie avec la scie à onglets composés. Elle coupera les matériaux nominaux ayant jusqu'à 50,80 mm (2 po) d'épaisseur par 254,00 mm (10 po) de largeur, selon l'angle de la coupe.

RANGEMENT DE CLÉ DE LAME

Voir la figure 1.

La scie est fournie avec une clé de lame. Une extrémité de la clé est un tournevis cruciforme et l'autre est une clé hexagonale. Utiliser l'extrémité à clé hexagonale pour installer et déposer la lame et l'extrémité à tournevis cruciforme pour retirer ou desserrer des vis. La base de la scie comporte un espace de rangement pour la clé de lame.

BOUTON DE VERROUILLAGE DE BISEAU

Ce bouton permet de verrouiller solidement la scie sur l'angle de biseau désiré. Des vis de réglage de butées positives se trouvent de chaque côté du bras de la scie. Ces vis permettent d'effectuer le réglage fin aux positions 0° et 45°.

POIGNÉE DE TRANSPORT

Voir la figure 2.

La scie à onglets est équipée d'une poignée pratique montée sur le dessus du bras de la scie pour faciliter son transport d'un endroit à un autre. Pour transporter, éteindre et débrancher la scie puis abaisser le bras de la scie et le verrouiller en position fermée en poussant la goupille de verrouillage vers le logement de la scie.

NOTE : NE PAS faire de coupe pendant que la scie est fermée et verrouillée.

INDICATEUR POUR MOULURE COURONNÉE

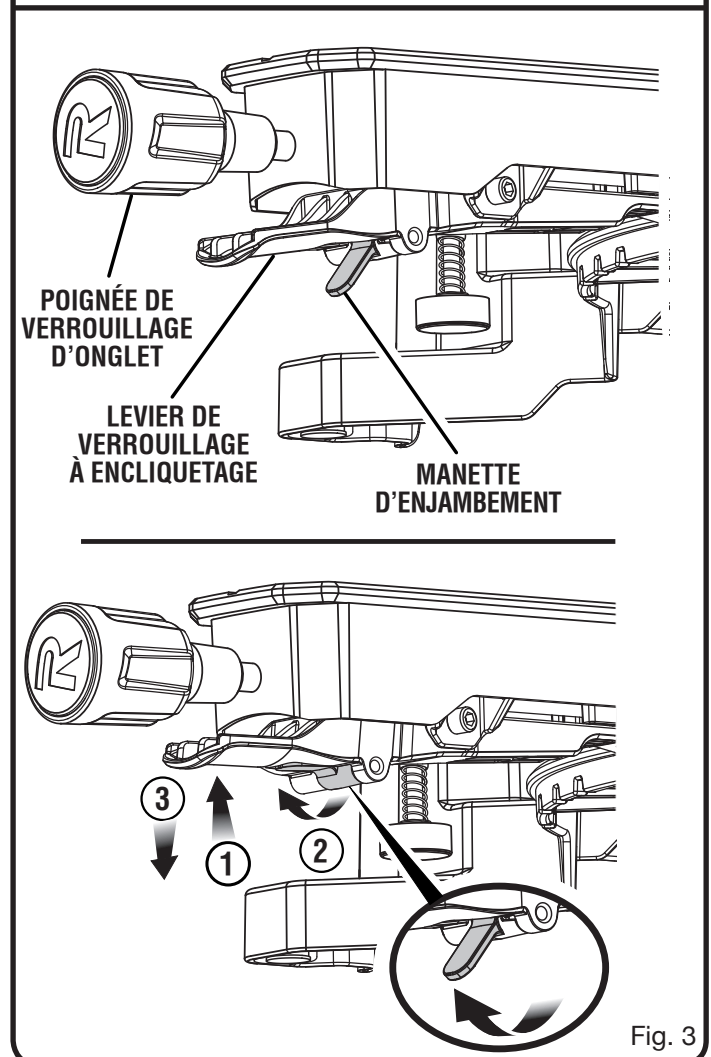
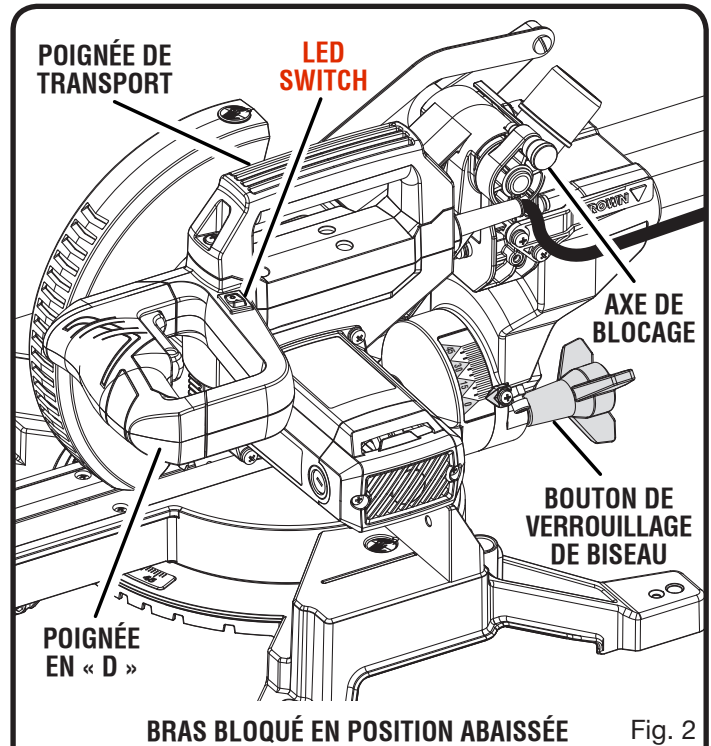
Voir la figure 1.

À utiliser avec le guide auxiliaire. Pour couper une moulure couronnée appuyée sur le guide auxiliaire en position verticale, aligner la flèche de l'indicateur pour moulure couronnée située sur l'assemblage de pivot et bien serrer le bouton de verrouillage du coulissement.

MANETTE D'ENJAMBEMENT

Voir la figure 3.

La manette d'enjambement permet de faire bouger librement la table à onglets vers tous les angles désirés. Lorsque la poignée de verrouillage d'onglet est relâchée et que le levier de verrouillage à encliquetage (1) est pressé, tirer la manette d'enjambement (2) vers le haut et relâcher le levier de verrouillage à encliquetage (3) pour outrepasser les butées positives de l'échelle d'onglets. Pour relâcher la manette d'enjambement et permettre l'enclenchement des butées positives de la table d'onglets, presser et relâcher le levier de verrouillage à encliquetage.



CARACTÉRISTIQUES

FREIN ÉLECTRIQUE

La scie est équipée d'un frein électrique pour arrêter rapidement la rotation de la lame une fois que la gâchette est relâchée.

SYSTÈME D'ÉCLAIRAGE DEL

L'éclairage DEL reflète l'ombre des dents de la scie sur la pièce à travailler pour faire des coupes précises et prévoir la trajectoire du trait de scie de la ligne de coupe.

GUIDE D'ONGLET

Le guide de la scie à onglets composés permet de maintenir fermement la pièce pendant la coupe. Le côté droit est plus large et assure un support supplémentaire.

POIGNÉE DE VERROUILLAGE D'ONGLET

Voir la figure 3.

Cette poignée permet de verrouiller solidement la scie sur l'angle de coupe désiré. Serrer la poignée pour bloquer la scie en place. Pour dégager la scie, desserrer la poignée et presser le levier de verrouillage à encliquetage.

ÉCHELLE D'ONGLET

Le guide d'onglet peut être placé de 0 à 47° (vers la gauche ou la droite) pour permettre plusieurs coupes différentes.

BUTÉES POSITIVES DE LA TABLE À ONGLETS

Des butées positives sont installées aux positions 0°, 15°, 22,5°, 31,6°, et 45° se trouvent de chaque côté de la table à onglets.

NOTE : Pour outrepasser les butées positives, presser le levier de verrouillage à encliquetage et soulever la manette d'enjambement. Pour relâcher l'enjambement, presser le levier de verrouillage à encliquetage.

PROTECTION RÉTRACTABLE DE LAME INFÉRIEURE

La protection de lame inférieure est construite dans un plastique transparent et résistant aux chocs qui couvre les deux côtés de la lame. Elle se rétracte sur la protection de lame supérieure lorsque la lame est abaissée sur la pièce à couper.

BARRES COULISSANTE

Lorsqu'il est déverrouillé, le bras de la scie glisse vers l'avant et vers l'arrière sur la longueur de la barres coulissantes pour la coupe de diverses largeurs de pièces de travail.

BOUTON DE VERROUILLAGE DU COULISSEMENT

Le bouton de verrouillage du coulissement verrouille et déverrouille la fonction de coulissement de l'outil.

BOUTON DE VERROUILLAGE DE BROCHE

Voir la figure 4.

Le bouton de verrouillage de broche verrouille la broche en empêchant la lame de tourner. Maintenir le bouton enfoncé pour l'installation, le changement ou la dépose de la lame.

GÂCHETTE

Voir la figure 4.

Pour empêcher toute utilisation non autorisée de la scie, la débrancher de l'alimentation et verrouiller son commutateur en position d'arrêt. Pour verrouiller le commutateur, installer un cadenas (non inclus) dans le trou de la gâchette et s'assurer que l'interrupteur ne peut pas être enfoncé. Si l'interrupteur peut être enfoncé même si le cadenas est installé, un cadenas équipé d'une anse de diamètre plus grand doit être utilisé. Conserver le cadenas dans un autre endroit.

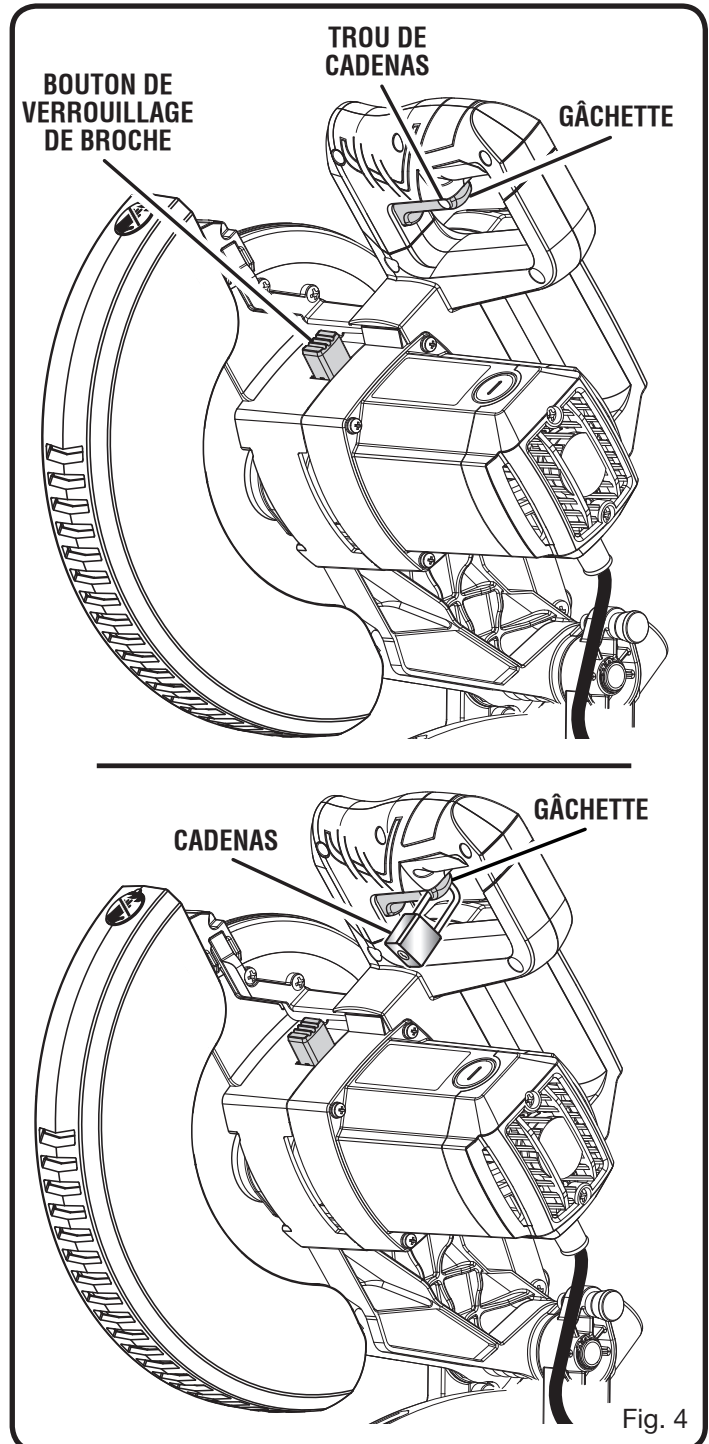


Fig. 4

OUTILS NÉCESSAIRES

Les outils suivants (non compris) sont nécessaires pour vérifier les réglages de votre scie ou pour installer la lame :

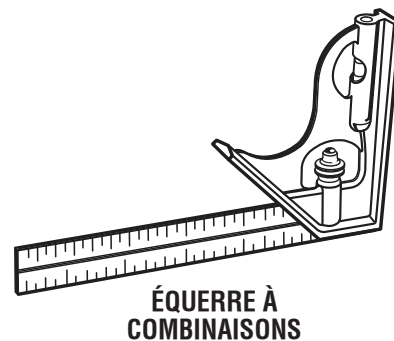
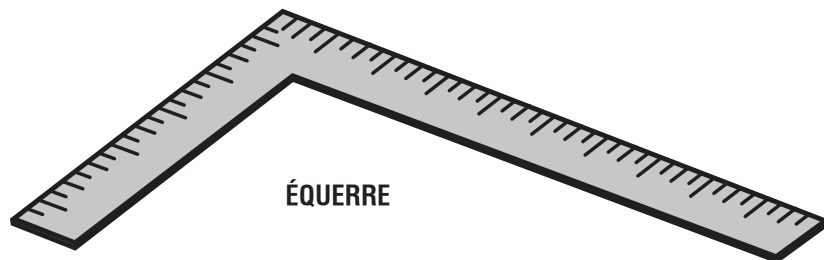


Fig. 5

LISTE DES PIÈCES DÉTACHÉES

Les articles suivant doivent être inclus avec l'outil:

- Sac à poussière
- Clé de lame
- Bride de serrage de pièce
- Manuel d'utilisation

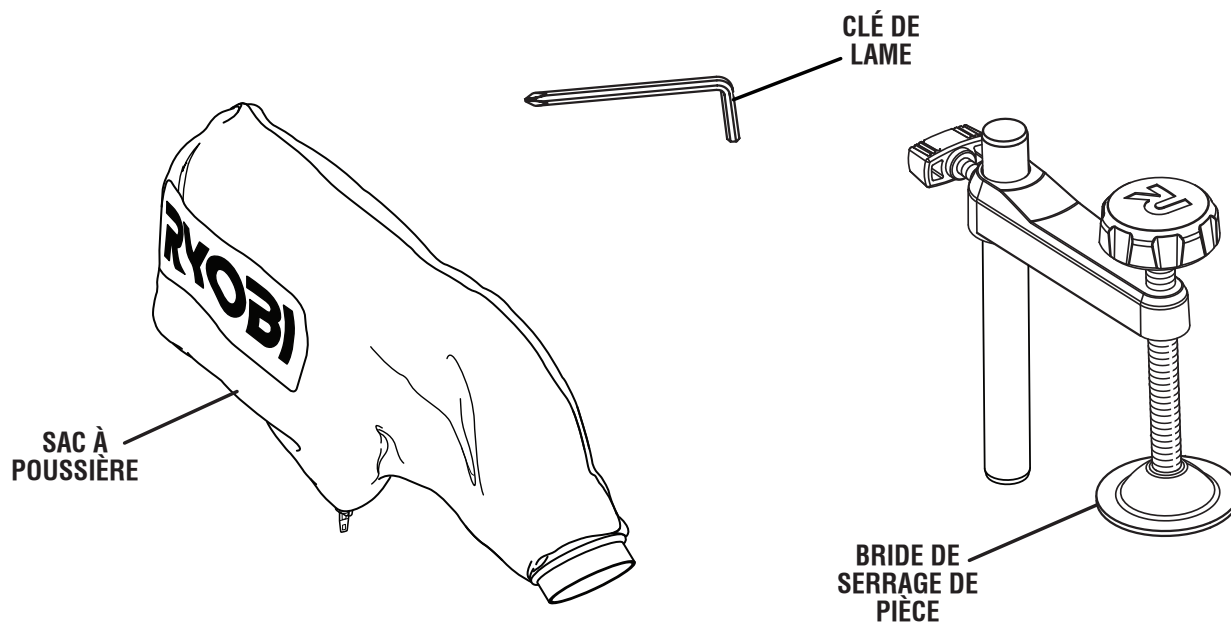


Fig. 6



AVERTISSEMENT :

L'utilisation de pièces et accessoires non listés peut être dangereux et entraîner des blessures graves.

ASSEMBLAGE

DÉBALLAGE

This product requires assembly.

- Sortir soigneusement la scie du carton en la tenant par la poignée de transport et la base de la scie, et la poser sur un plan de travail horizontal.

AVERTISSEMENT :

Ne pas utiliser le produit si, en le déballant, vous constatez que des éléments figurant dans la liste des pièces détachées sont déjà assemblés. Certaines pièces figurant sur cette liste n'ont pas été assemblées par le fabricant et exigent une installation. Le fait d'utiliser un produit qui a été assemblé de façon inadéquate peut entraîner des blessures.

- La machine a été expédié avec le bras en position abaissée. Pour le libérer, appuyer sur le poignée en « D », couper l'attache et tirer la goupille de verrouillage.

AVERTISSEMENT :

Le bras de la scie est équipé d'un ressort. Maintenir la poignée abaissée pour éviter son relèvement brusque au moment de couper l'attache autobloquante. Ne pas prendre cette précaution représente un risque des blessures graves.

- Relever le bras de la scie en le tirant par sa poignée. Continuer de maintenir le poignée en « D » d'une main, pour empêcher qu'il ne se relève brusquement lorsque l'attache est coupée.
- Examiner soigneusement l'outil pour s'assurer que rien n'a été brisé ou endommagé en cours de transport.
- Ne pas jeter les matériaux d'emballage avant d'avoir soigneusement examiné ce produit et avoir vérifié qu'il fonctionne correctement.

- La scie est réglée en usine pour effectuer une coupe précise. Après l'avoir assemblée, vérifier sa précision. Si les réglages ont été modifiés en cours d'expédition, voir les procédures spécifiques présentées dans ce manuel.
- Si des pièces sont manquantes ou endommagées, appeler le 1-800-525-2579.

AVERTISSEMENT :

Si des pièces manquent ou sont endommagées, ne pas utiliser ce produit avant qu'elles aient été remplacées. Le fait d'utiliser ce produit même s'il contient des pièces endommagées ou s'il lui manque des pièces peut entraîner des blessures graves.

AVERTISSEMENT :

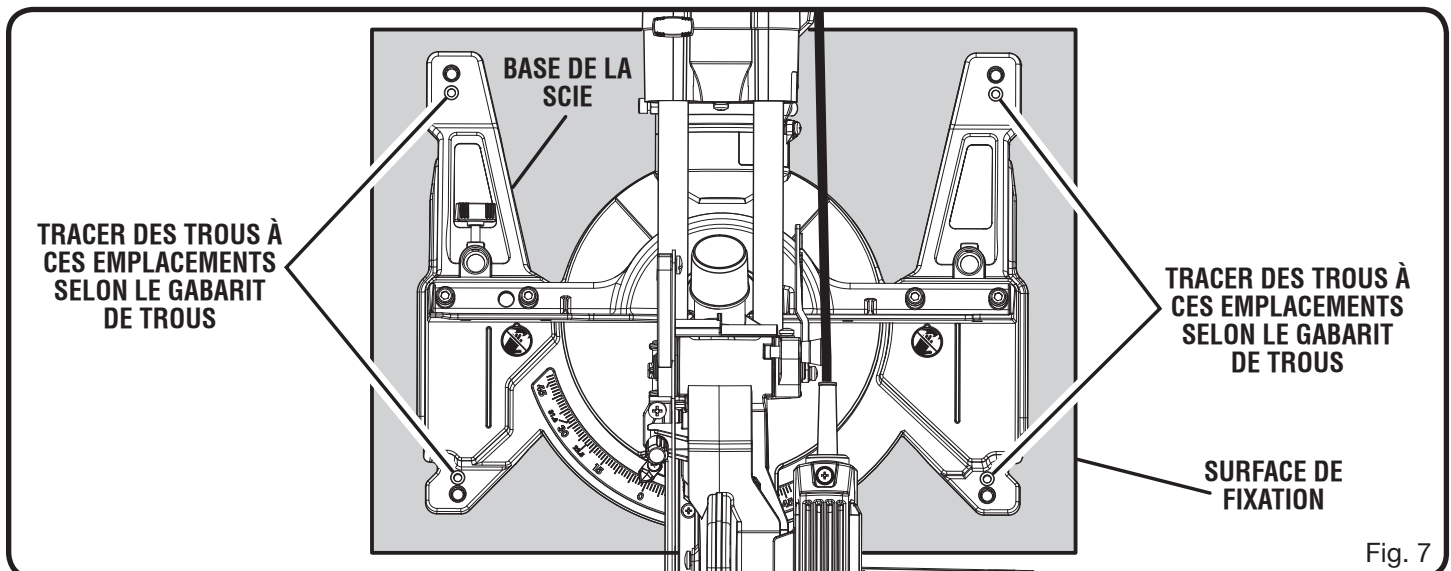
Ne pas essayer de modifier cet outil ou de créer des accessoires non recommandés pour cet outil. De telles altérations ou modifications sont considérées comme un usage abusif et peuvent créer des conditions dangereuses, risquant d'entraîner des blessures graves.

AVERTISSEMENT :

Ne pas brancher sur le secteur avant d'avoir terminé l'assemblage. Le non respect de cet avertissement peut causer un démarrage accidentel, entraînant des blessures graves.

AVERTISSEMENT :

Ne pas mettre la scie en marche sans s'être assuré de l'absence d'interférence entre la lame et le guide d'onglets. La lame pourrait être endommagée si elle entrait en contact avec le guide d'onglets pendant le fonctionnement.



ASSEMBLAGE

⚠ AVERTISSEMENT :

Cette scie peut basculer si sa tête est relâchée brusquement et assujettie à un plan de travail. Pour éviter des blessures graves, TOUJOURS assujettir la scie à un plan de travail stable.

TROUS DE FIXATION

Voir la figure 7.

⚠ AVERTISSEMENT :

Avant d'entreprendre toute opération de coupe, assujettir ou boulonner la scie à onglets sur le plan de travail ou un stand approuvé pour scie à onglets. Si on utilise un support de scie à onglet, lire le manuel d'utilisation et suivre les instructions pour le support de scie à onglet. Ne jamais utiliser la scie à onglets sur le sol ou en se tenant accroupi. Le non respect de cette mise en garde peut entraîner des blessures graves.

La scie à onglets composée doit être montée solidement sur un plan de travail ferme, tel qu'un établi, planche de montage, ou un stand pour scie à onglets. La base de la scie possède quatre trous de montage. Les boulons doivent être assez longs pour traverser la base de la scie, les rondelles frein, les écrous et l'établi. Serrer les boulons ou vis fermement.

La figure 7 illustre la configuration des trous pour l'installation sur un établi. Une fois la scie installée, vérifier soigneusement l'établi pour s'assurer qu'aucun mouvement ne peut se produire pendant l'utilisation. Si l'établi bascule, glisse ou se déplace, l'assujettir sur le sol avant d'utiliser la scie.

UTILISATION DU GUIDE DE PROFONDEUR

Voir la figure 8.

Lorsqu'il est utilisé, le guide de profondeur limite la course vers le bas de la lame lors de la coupe de rainures et d'autres coupes non traversantes.

Pour utiliser le guide de profondeur :

- Débrancher la scie
- Si la scie est en position de remisage ou de transport, déverrouiller le bras de la scie.
- Tourner le butée de profondeur vers la boîte du moteur.
- Avec bouton de commande de profondeur touchant l'arrêt butée de profondeur, ajuster le bouton de commande profondeur en tournant le bouton jusqu'à ce que la profondeur désirée de coupe est atteinte.
- Une entretoise en bois d'au moins 63,5 mm (2-1/2 po) doit être placée entre la pièce à travailler et le guide afin d'obtenir une profondeur de coupe uniforme de la pièce à travailler. Utiliser le serre-joint pour immobiliser l'entretoise et une autre bride de serrage adaptée pour immobiliser la pièce à travailler. Effectuer la coupe coulissante à la profondeur désirée. Voir les figures 31 et 32.

- Tourner la butée de profondeur vers le logement du moteur pour effectuer des coupes complètes.

NOTE : La butée de profondeur doit être poussée vers le logement du moteur avant de verrouiller ou déverrouiller le bras de la scie.

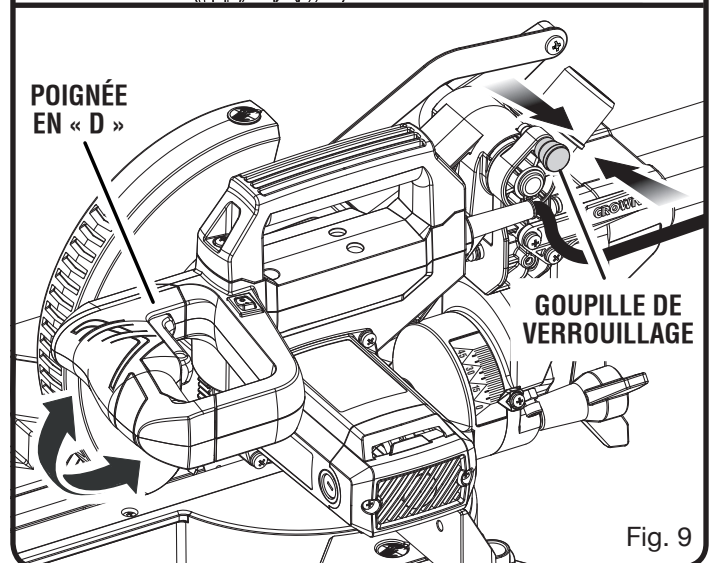
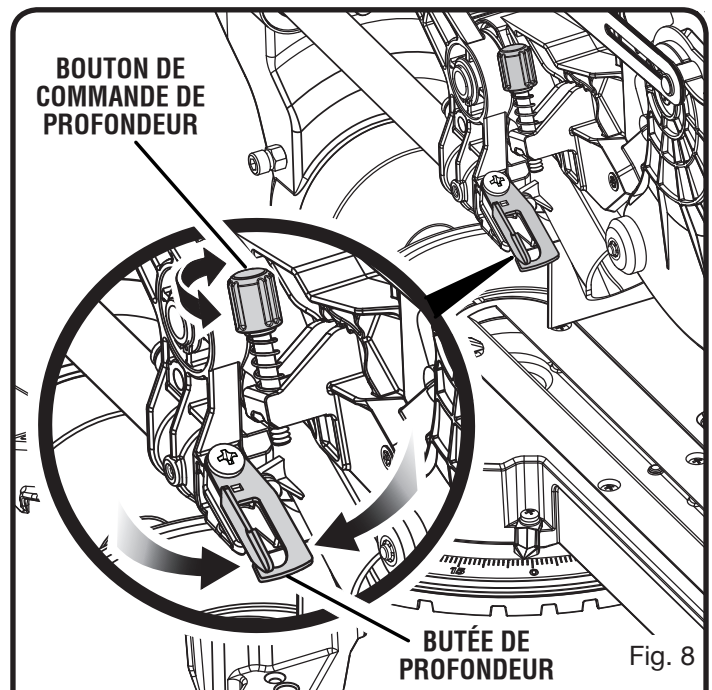
VERROUILLAGE/DÉVERROUILLAGE DU BRAS DE LA SCIE

Voir la figure 9.

Il n'est pas nécessaire de relâcher le bouton de commande de profondeur pour verrouiller ou déverrouiller le bras de la scie.

Pour déverrouiller et relever le bras de la scie :

- Saisir fermement la poignée en « D » et appliquer une pression vers le bas tout en tirant en même temps le guide de profondeur à l'écart du logement de la scie.
- Relâcher le guide et relever lentement le bras de la scie.



ASSEMBLAGE

Pour reverrouiller le bras de la scie :

- Tenir fermement la poignée en D et appuyer vers le bas en poussant simultanément la goupille de verrouillage à l'intérieur et vers le logement de la scie.
- Relâcher la goupille de verrouillage et lui permettre de verrouiller la scie en place.

SAC À POUSSIÈRE

Voir la figure 10.

Un sac à poussières est fourni avec cette scie à onglets. Il s'adapte sur l'orifice de sortie situé à l'arrière de la scie.

NOTE : L'orifice d'évacuation accepte aussi 1-1/4 dans le tuyau d'aspirateur.

CLÉ DE LAME

Voir la figure 11.

La scie est fournie avec une clé de lame. Une extrémité de la clé est un tournevis cruciforme et l'autre est une clé hexagonale. Utiliser l'extrémité à clé hexagonale pour installer et déposer la lame et l'extrémité à tournevis cruciforme pour retirer ou desserrer des vis. Un espace de rangement pour la clé de lame se trouve à l'arrière du guide d'onglets droit.

BRIDE DE SERRAGE DE PIÈCE

Voir la figure 11.



AVERTISSEMENT :

Dans certaines conditions, la bride de serrage de pièce peut perturber le fonctionnement de la protection de lame. Toujours s'assurer du libre fonctionnement de la protection de lame avant de commencer la coupe, afin de réduire le risque de blessure grave.

La bride de serrage de pièce permet un contrôle accru en bridant la pièce sur le guide ou la table de la scie. Elle évite aussi le déplacement de la pièce vers la lame. C'est très utile lors de la coupe d'onglets composés. Selon l'opération de coupe et les dimensions de la pièce, il peut être nécessaire d'utiliser un serre-joint ou autre pince adaptée au lieu de la bride de serrage de pièce pour bloquer la pièce avant d'effectuer la coupe.

Installation de la bride de serrage de pièce :

- Placer l'axe de la bride de serrage dans l'un des trous situé derrière le guide d'onglet.
- Tourner le bouton de bride de serrage de pièce pour le déplacer vers le haut ou le bas afin de maintenir fermement la pièce à couper en place.

INSTALLATION / REMPLACEMENT DE LA LAME

Voir les figures 12 et 13.

La lame est déjà installée à la livraison de ce modèle de scie à onglets. Les instructions sont comprises afin qu'on puisse les consulter lorsqu'on change ou qu'on remplace les lames.

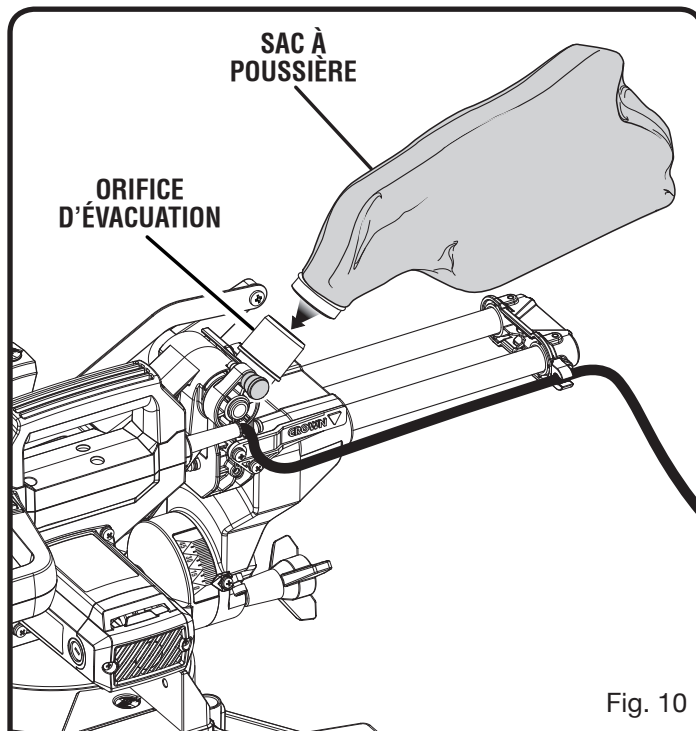


Fig. 10

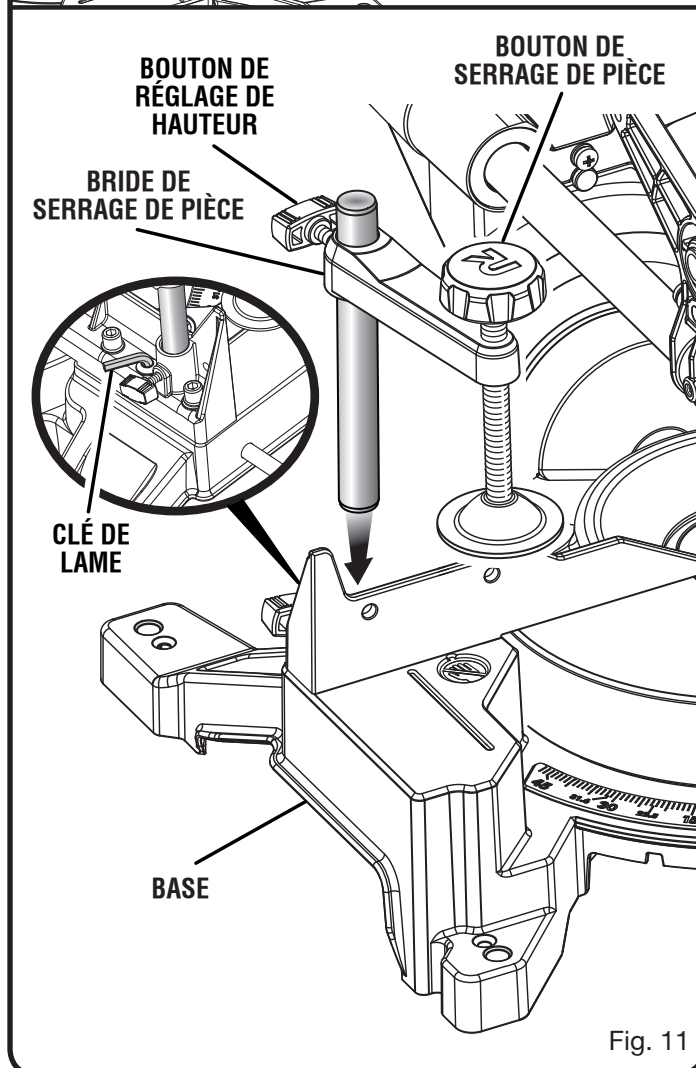


Fig. 11

ASSEMBLAGE

AVERTISSEMENT :

La taille maximum de lame pouvant être utilisée sur cette scie est de 184 mm (7-1/4 po). Ne jamais utiliser une lame trop épaisse pour permettre à la rondelle extérieure de la lame de s'engager sur les méplats de la broche. Des lames de plus grandes dimensions toucheraient les protections de lame et des lames plus épaisses empêcheraient le boulon de lame de maintenir la lame sur la broche. Ces deux situations peuvent causer un accident et des blessures graves.

- Débrancher la scie.
- Desserrer le vis du couvercle de boulon de la lame. Faire tourner la garde inférieure et faire tourner le couvercle de boulon de lame vers le haut et vers l'arrière pour exposer le boulon de lame.
- Appuyer sur bouton de verrouillage de la broche et tourner le boulon de lame jusqu'à ce que la broche se verrouille.
- À l'aide de la clé de lame fournie, desserrer et retirer le boulon de lame.

NOTE : Le boulon de lame est fileté à gauche. Il doit donc être tourné vers la droite pour être desserré.

- Retirer la rondelle de lame extérieure.
- NOTE :** La rondelle intérieure de la lame est intégrée à la broche et ne peut être retirée.
- Appliquer une goutte d'huile sur la surface de contact des rondelles intérieure et extérieure.
- Engager la lame dans la garde inférieure et sur la broche. Les dents doivent être orientées vers le bas à l'avant de la lame, comme le montre la figure 13.
- Remettre en place la rondelle de lame extérieure. Les deux méplats en « D » des rondelles de lame s'alignent sur les méplats de la broche.
- Appuyer sur le bouton de verrouillage de la broche et réinstaller le boulon de lame.

NOTE : Le boulon de lame est fileté à gauche. Il doit donc être tourné vers la gauche pour être serré.

ATTENTION :

Toujours installer la lame avec les dents et la flèche imprimée sur son côté, orientées vers le bas à l'avant de la scie. Le sens de rotation de la lame est également représenté par une flèche estampée sur la protection supérieure.

- Serrer le boulon fermement.
- Remettre la garde de lame inférieure et le couvercle du boulon en place.

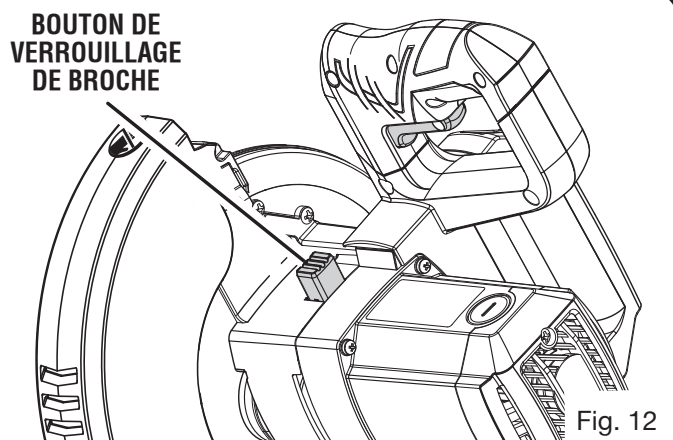
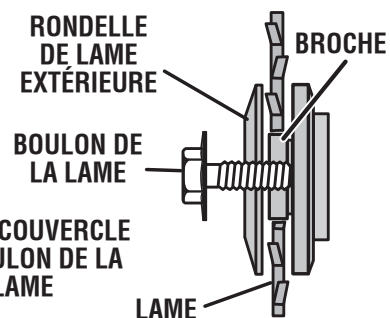


Fig. 12

NOTE : AVANT D'UTILISER, REMETTRE LES VIS EN PLACE ET LA SERRE FERMEMENT POUR EMPÊCHER LE MOUVEMENT DE GARDE



VIS DU COUVERCLE DE BOULON DE LA LAME

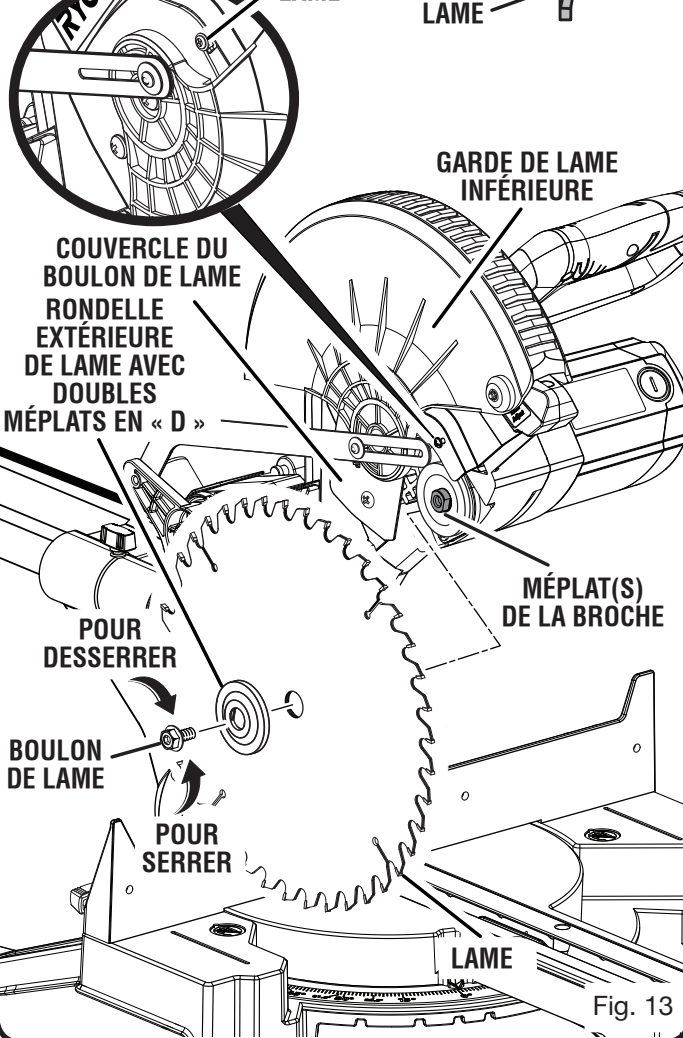


Fig. 13

ASSEMBLAGE

- Serrer solidement le vis du couvercle de boulon de la lame.
- Soulever et abaisser la tête de la scie et s'assurer que le protège-lame inférieur fonctionne correctement.

⚠ AVERTISSEMENT :

S'assurer que le bouton de verrouillage de la broche n'est pas engagé avant de brancher la scie sur la source d'alimentation. Ne jamais engager le bouton de verrouillage de la broche lorsque la lame est en rotation.

RETRAIT / REMPLACEMENT DE LA PLAQUE À GORGE

Voir la figure 14.

⚠ AVERTISSEMENT :

La plaque à gorge doit être au dessous de la table à onglets. Si la plaque à gorge est trop haute ou trop basse, la pièce de bois peut accrocher les bords inégaux et causer un blocage entraînant des blessures graves.

Ne jamais utiliser la scie à moins que la plaque à gorge ne soit installée.

Retrait / remplacement :

- Débrancher la scie.
- Retirer les vis fixant la plaque à gorge.
- Retirer la plaque à gorge de la scie.
- Pour réinstaller la plaque à gorge, aligner ses trous sur ceux de la base de la scie.
- Remettre les vis en place en veillant à ne pas trop les serrer ce qui pourrait causer le voilage ou la déformation de la plaque.

RÉGLAGE DU PIED DE SUPPORT

Voir la figure 14.

Tourner le pied de support vers la droite ou la gauche selon l'intensité de soutien nécessaire pour réaliser des coupes coulissantes.

NOTE : De nombreuses illustrations de ce manuel ne montrent que des parties de la scie à onglets composés. Cette présentation a été choisie pour montrer clairement les différents aspects de la scie. **Ne jamais utiliser la scie sans avoir vérifié que tous les dispositifs de protection sont en place et en bon état.**

ÉQUERRAGE DE LA LAME PAR RAPPORT AU GUIDE

Voir les figures 15 à 20.

- Débrancher la scie.
- Abaisser complètement le bras de la scie et engager l'axe de verrouillage pour maintenir le bras en position de transport.

- Desserrer la poignée de verrouillage d'angle d'environ un demi-tour et presser le levier de verrouillage à encliquetage.
- Tourner la table à onglet jusqu'à ce que l'indicateur d'échelle soit en position 0°.
- Relâcher le levier de verrouillage à encliquetage et s'assurer que le bras de commande est enclenché dans une encoche positive.

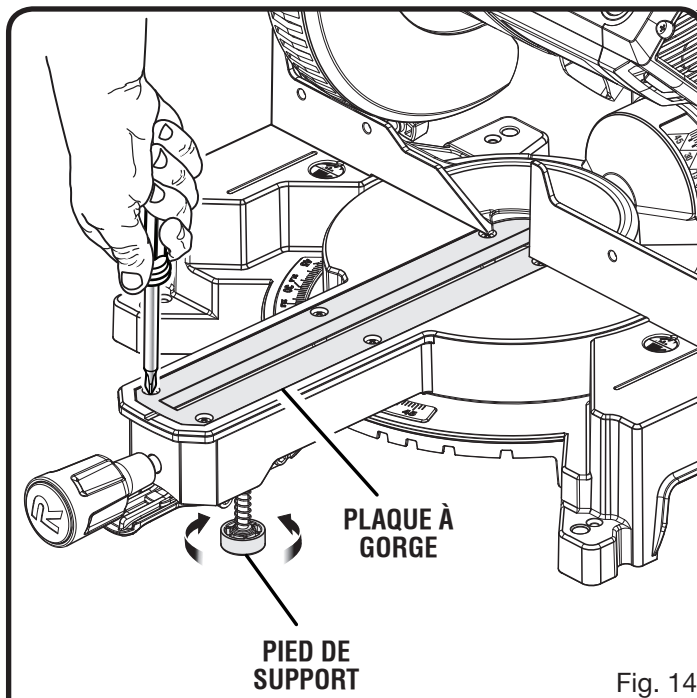


Fig. 14

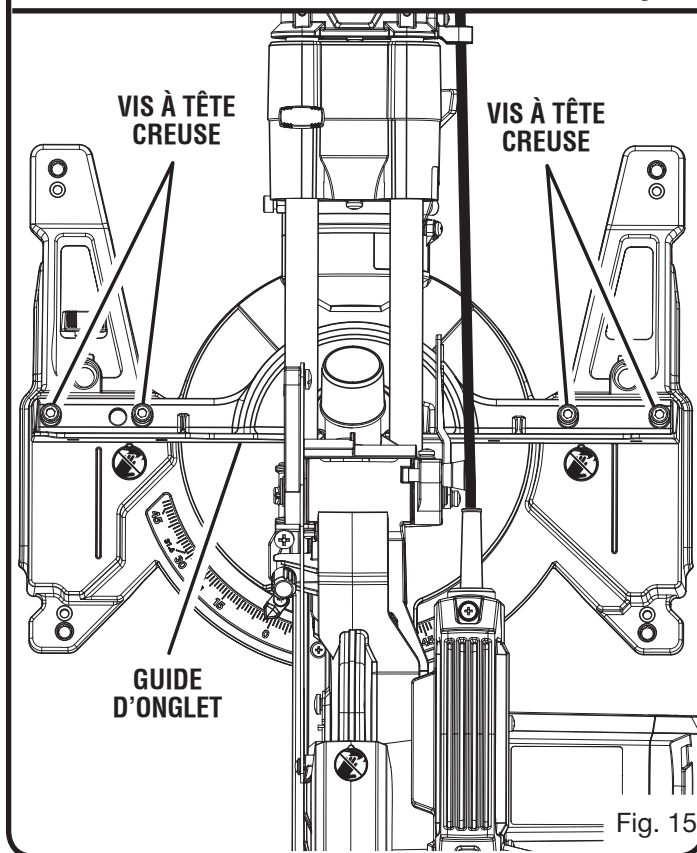
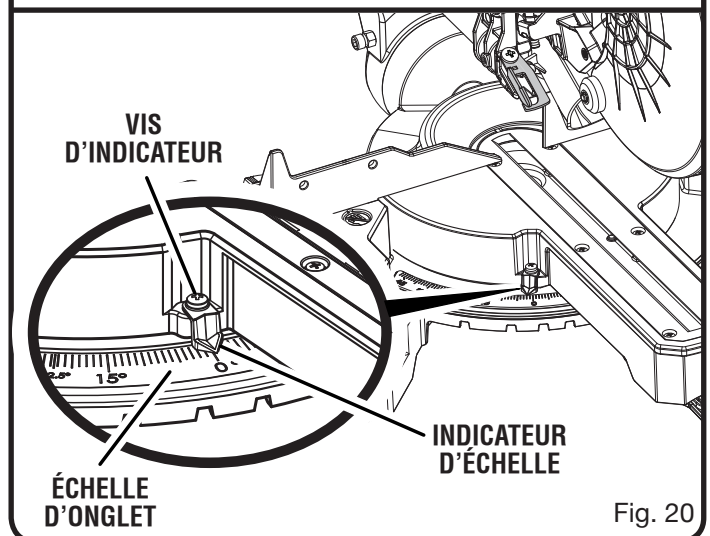
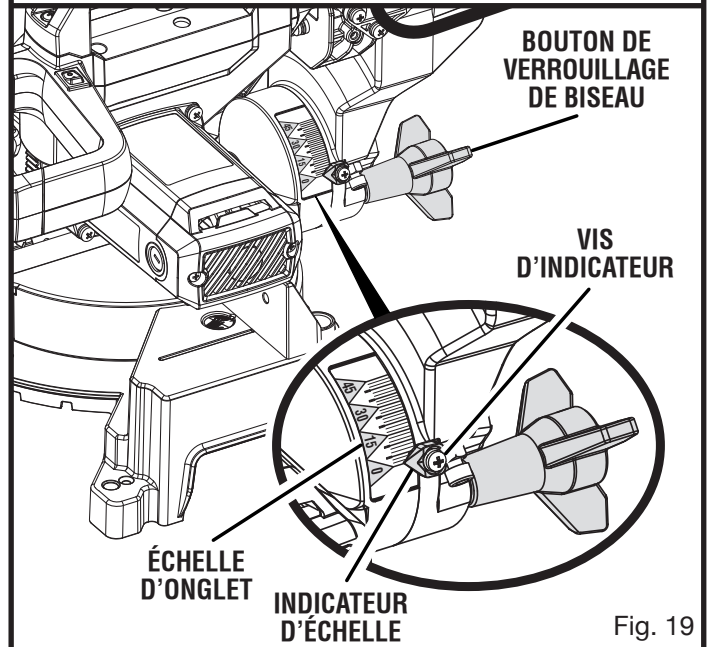
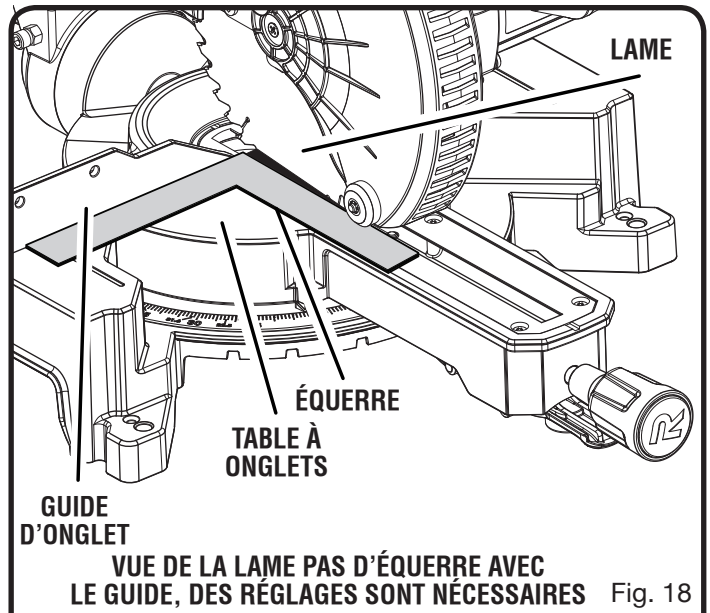
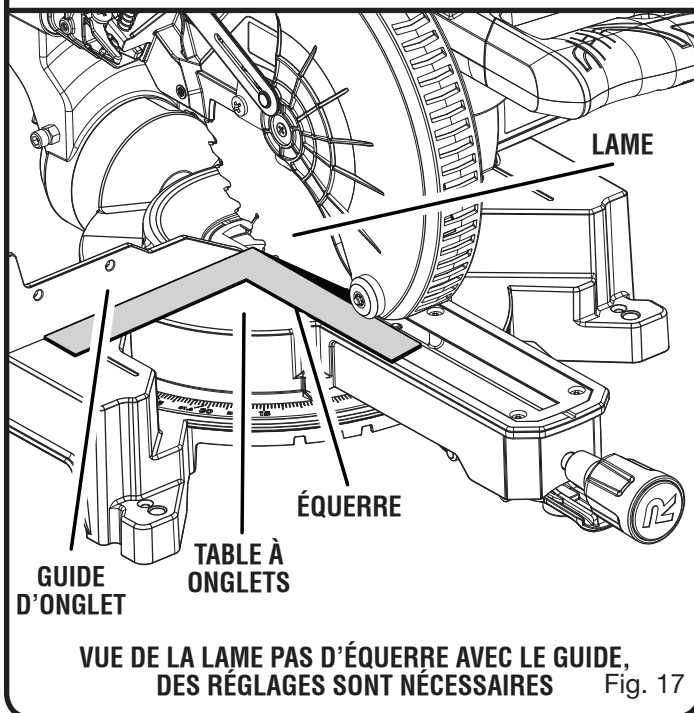
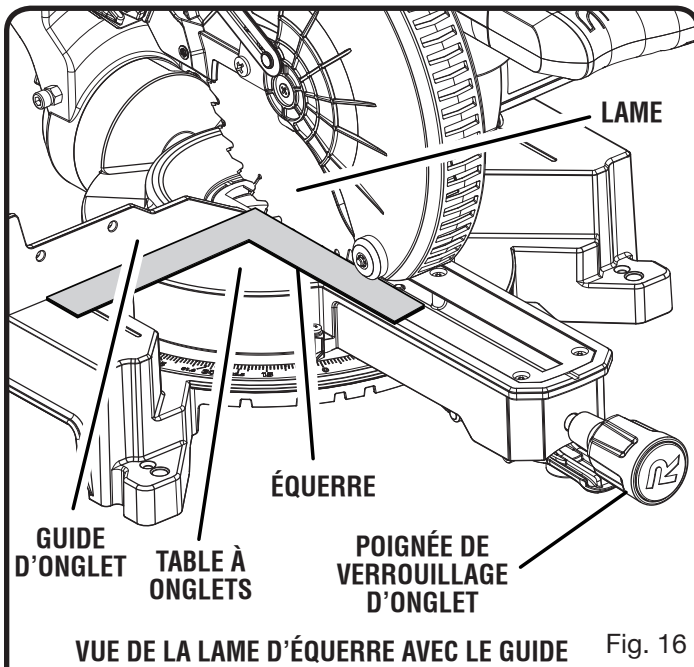


Fig. 15

ASSEMBLAGE

- Serrer le bouton de verrouillage d'onglet pour immobiliser la table à onglets.
 - Desserrer le bouton de verrouillage d'angle de biseau et régler le bras de la scie pour un biseau de 0° (lame à 90° de la table). Serrer le bouton de verrouillage de biseau.
 - Poser une équerre à plat sur la table à onglets. Placer une branche de l'équerre contre le guide. Glisser l'autre branche de l'équerre contre le plat de la lame.
- NOTE :** Vérifier que l'équerre est en contact avec le plat de la lame, pas les dents.
- Le bord de l'équerre et la lame doivent être parallèles, comme le montre la figure 16.



ASSEMBLAGE

- Si l'avant ou l'arrière de la lame s'écarte de l'équerre, des réglages, illustrés aux figures 17 et 18, sont nécessaires.
- À l'aide de la clé de lame fournie, desserrer les vis à tête creuse fixant le guide d'onglet à la table à onglets.
- Tourner le guide d'onglet vers la gauche ou la droite, afin de mettre la lame de scie parallèle à l'équerre.
- Resserrer fermement les vis et vérifier de nouveau l'alignement du guide et de la lame.

La scie présente plusieurs indicateur d'échelle. Une fois les réglages d'alignement effectués, il peut être nécessaire de desserrer les vis indicateur pour les régler à zéro. Voir les figures 19 et 20.

ÉQUERRAGE DE LA LAME PAR RAPPORT À LA TABLE À ONGLETS

Voir les figures 21 à 23.

- Débrancher la scie.
- Abaisser complètement le bras de la scie et engager l'axe de verrouillage pour maintenir le bras en position de transport.
- Desserrer la poignée de verrouillage d'angle d'environ un demi-tour et presser le levier de verrouillage à encliquetage.
- Tourner le table à onglets à aligner l'indicateur d'échelle sur la graduation zéro du rapporteur d'onglet.
- Relâcher le levier de verrouillage à encliquetage puis serrer le bouton de verrouillage d'onglet pour immobiliser la table à onglets.
- Desserrer le bouton de verrouillage d'angle de biseau et régler le bras de la scie jusqu'à ce que soit assis dans la butée de biseau positive de 0° (lame à 90° de la table). Serrer le bouton de verrouillage de biseau.
- Placer une équerre combinée contre la table à onglets et le plat de la lame.
NOTE : Vérifier que l'équerre est en contact avec le plat de la lame, pas les dents.
- Faire tourner la lame à la main et vérifier son alignement sur la table en plusieurs points.
- Le bord de l'équerre et la lame doivent être parallèles, comme le montre la figure 21.
- Si le haut ou le bas de la lame s'écarte de l'équerre, des réglages, figures 22 et 23, sont nécessaires.
- Dévisser le bouton de verrouillage de biseau.
- Régler la vis de butée de biseau à 0° pour aligner la lame de la scie avec le tracé perpendiculaire. Voir le **Réglage de butée positive** dans la section *Réglages*.
- Resserrer le bouton de verrouillage de biseau. Vérifier à nouveau l'alignement de la lame sur la table.

NOTE: La procédure ci-dessus peut être utilisée pour vérifier l'alignement de la lame sur la table à 0° et 45°.

La scie présente plusieurs indicateur d'échelle. Une fois les réglages d'alignement effectués, il peut être nécessaire de desserrer les vis indicateur pour les régler à zéro. Voir les figures 19 et 20.

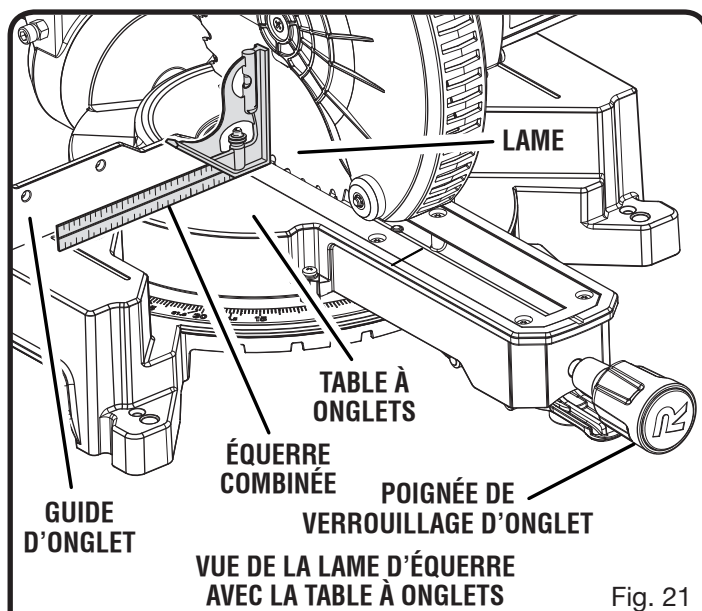


Fig. 21

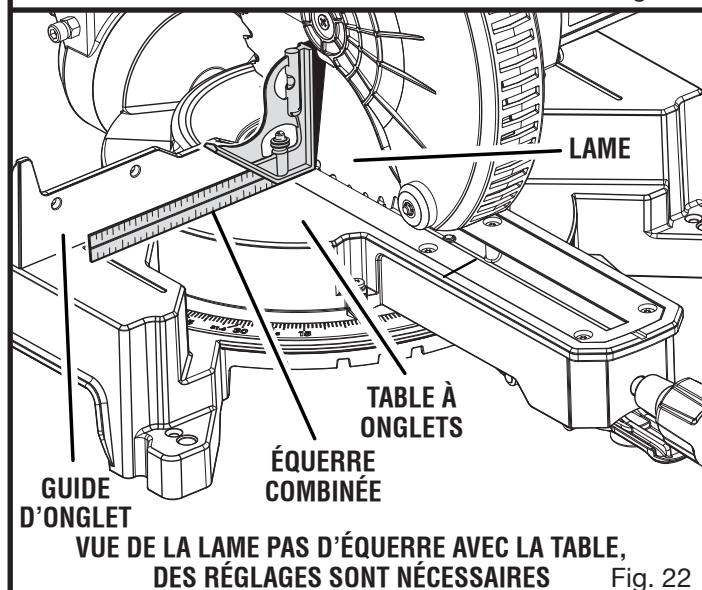


Fig. 22

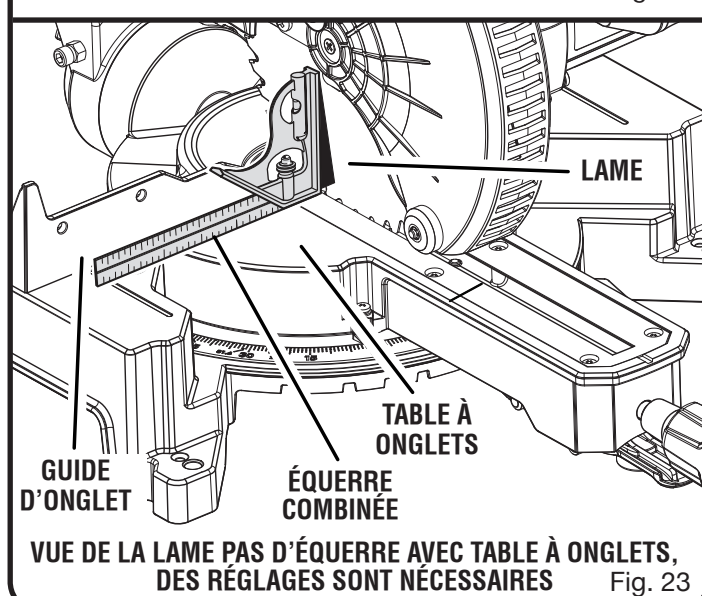


Fig. 23

UTILISATION

AVERTISSEMENT :

Ne pas laisser la familiarité avec l'outil faire oublier la prudence. Ne pas oublier qu'une fraction de seconde d'inattention peut entraîner des blessures graves.

AVERTISSEMENT :

Toujours porter une protection oculaire certifiée conforme à la norme ANSI Z87.1. Si cette précaution n'est pas prise, des objets peuvent être projetés dans les yeux et causer des lésions graves.

AVERTISSEMENT :

Ne pas utiliser d'outils ou accessoires non recommandés pour cet outil. L'utilisation de pièces et accessoires non recommandés peut entraîner des blessures graves.

APPLICATIONS

Ce produit est conçu uniquement pour les applications suivantes :

- Coupe transversale de pièces de bois et de plastique (ne pas couper de métaux, céramiques ou produits de maçonnerie.)
- Coupe d'onglets, joints, etc., pour cadres, moulures, encadrements de portes et menuiserie fine
- Coupe en biseau et coupe composée
- Coupe transversale de larges pièces

NOTE : La lame fournie convient à la plupart des opérations de coupe de bois, toutefois, pour les travaux de menuiserie fine et la coupe de matières plastiques, utiliser l'une des lames accessoires en vente dans les magasins Ryobi.

AVERTISSEMENT :

Avant d'entreprendre toute opération de coupe, assujettir ou boulonner la scie à onglets composés sur un établi. Ne jamais utiliser la scie à onglets sur le sol ou en se tenant accroupi. Le non respect de cette mise en garde peut entraîner des blessures graves.

AVERTISSEMENT :

Pour éviter des blessures, toujours serrer fermement la poignée de verrouillage d'angle et levier de verrouillage de biseau avant d'effectuer une coupe. Si cette précaution n'est pas prise, la table ou tête de la scie risquent de se déplacer pendant la coupe.

AVERTISSEMENT :

Pour éviter des blessures graves, toujours garder les mains hors de la zone dangereuse, c'est-à-dire à au moins 76 mm (3 po) de la lame. Ne jamais effectuer de coupes à main levée (c.-à-d. sans maintenir la pièce contre le guide). La lame pourrait se coincer dans la pièce si celle-ci glisse ou tourne.

AVIS :

Ne pas mettre la scie en marche sans s'être assuré de l'absence d'interférence entre la lame et le guide d'onglets. La lame pourrait être endommagée si elle entrait en contact avec le guide d'onglets pendant le fonctionnement.

TRAVAUX DE COUPE AVEC LA SCIE À ONGLETS COMPOSÉS

AVERTISSEMENT :

Si un serre-joint ou une bride de serrage de pièce est utilisé pour maintenir la pièce, il ne doit être placé que d'un côté de la lame. La pièce doit être libre d'un côté de la lame afin qu'elle ne risque pas de la bloquer. Un pincement de la lame dans la pièce causerait le calage du moteur et un rebond. Le blocage de la lame peut entraîner des blessures graves.

AVERTISSEMENT :

NE JAMAIS se déplacer l'ajustement de pièce ou marque à n'importe quel angle de coupe pendant que la scie court et la lame tourne. N'importe quelle erreur peut avoir pour résultat le contact avec la lame causant des blessures graves.

AVERTISSEMENT :

Ne pas couper de pièces étroites au moyen du dispositif de coulissement. Le non-respect de cet avertissement pourrait entraîner des blessures graves.

SYSTÈME D'ÉCLAIRAGE DEL

Voir la figure 24.

Le système d'éclairage DEL reflète l'ombre des dents de la scie sur la pièce à travailler. Ceci pour permettre une précision accrue des coupes sans réglage.

Mettre l'interrupteur DEL en position de marche pour pouvoir utiliser cette caractéristique.

Abaisser le bras de la scie de manière à ce que la lame se trouve à environ 6,3 mm (1/4 po) de la pièce à travailler. L'ombre de la lame sera reflétée sur la pièce à travailler pour indiquer l'endroit où les dents de la lame seront en contact pendant la coupe.

POUR RÉALISER DES COUPES NON COULISSANTES

AVERTISSEMENT :

Bien serrer le bouton de verrouillage du coulissement lors de coupes non coulissantes. Si le bouton est mal serré, la tête de la scie peut bouger durant la coupe.

UTILISATION

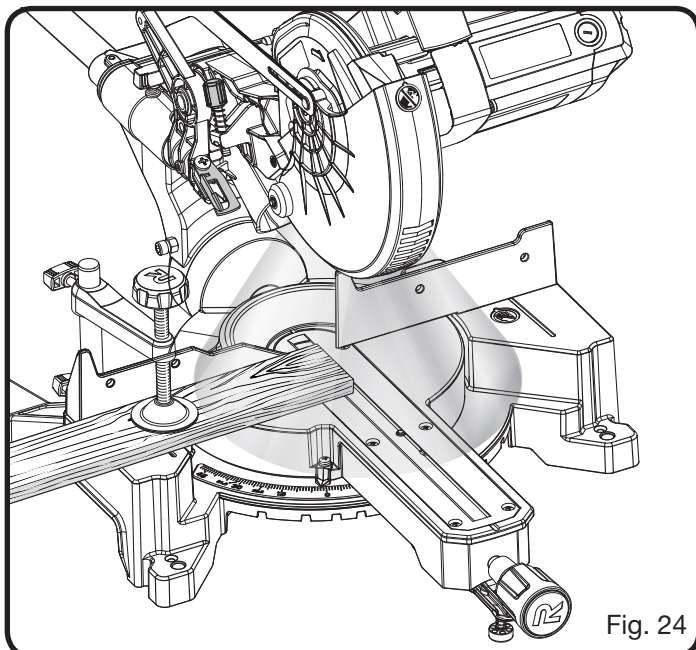


Fig. 24

POUR COUPES D'ONGLETS/TRANS-VERSALES

Voir les figures 25 et 26.

La coupe est effectuée en travers du grain de la pièce de bois. Pour effectuer une coupe transversale droite, la table à onglet doit être réglée sur 0°. Les coupes d'onglets sont réalisées en réglant la table sur tout angle autre que 0°.

- Glisser la tête de la scie complètement vers l'arrière et serrer fermement le bouton de verrouillage de coulissement.
- Relever complètement le bras de la scie.
- Desserrer la poignée de verrouillage d'angle d'environ un demi-tour et presser le levier de verrouillage à encliquetage.
- Tourner le bras de commande de manière à aligner le pointeur sur la graduation correspondant à l'angle désiré.
- Relâcher le levier de verrouillage à encliquetage puis serrer le bouton de verrouillage d'onglet pour immobiliser la table à onglets.

NOTE : Repérer rapidement sur 0°, 15°, 22,5°, 31,6° ou 45° à gauche ou à droite en relâchant le bouton de dégagement à encliquetage tout en tournant le bras de commande. Le bras de commande reposera automatiquement dans l'un des crans d'arrêt situé sur la base de la table à onglets.

- Placer la pièce à couper à plat sur la table à onglet, l'un de ses bords solidement appuyé contre le guide. Si la planche est voilée, placer le côté convexe contre le guide. Si le bord concave d'une pièce est placé contre le guide, la pièce peut se refermer sur la lame en fin de coupe et la bloquer. Voir les figures 39 et 40.
- Lors de la coupe de planches ou de moulures longues, soutenir l'extrémité libre de la pièce avec un chevalet à rouleau ou un plan de travail se trouvant au même niveau que la scie. Voir la figure 30.
- Glisser la tête de la scie complètement vers l'arrière et serrer fermement le bouton de verrouillage de coulissement.

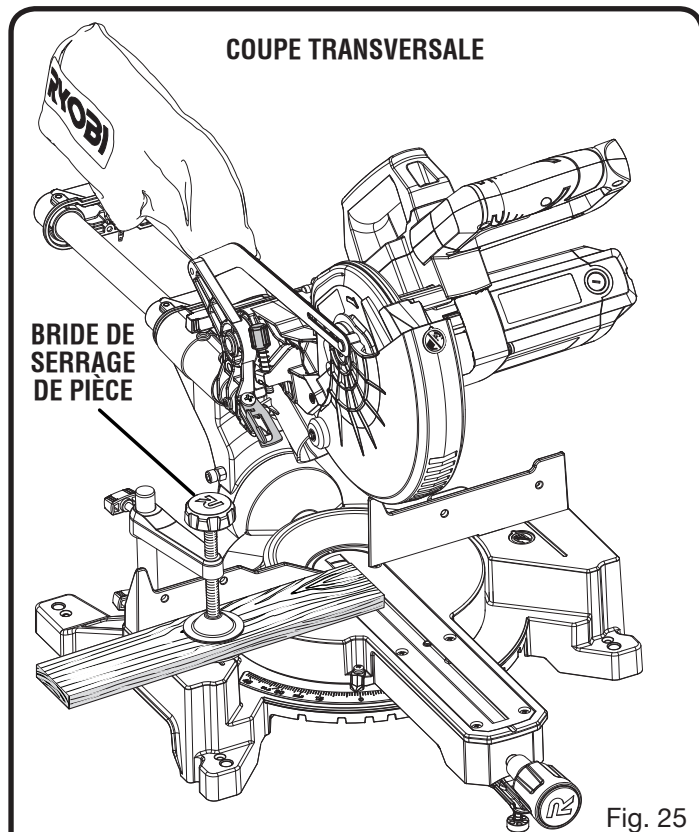


Fig. 25

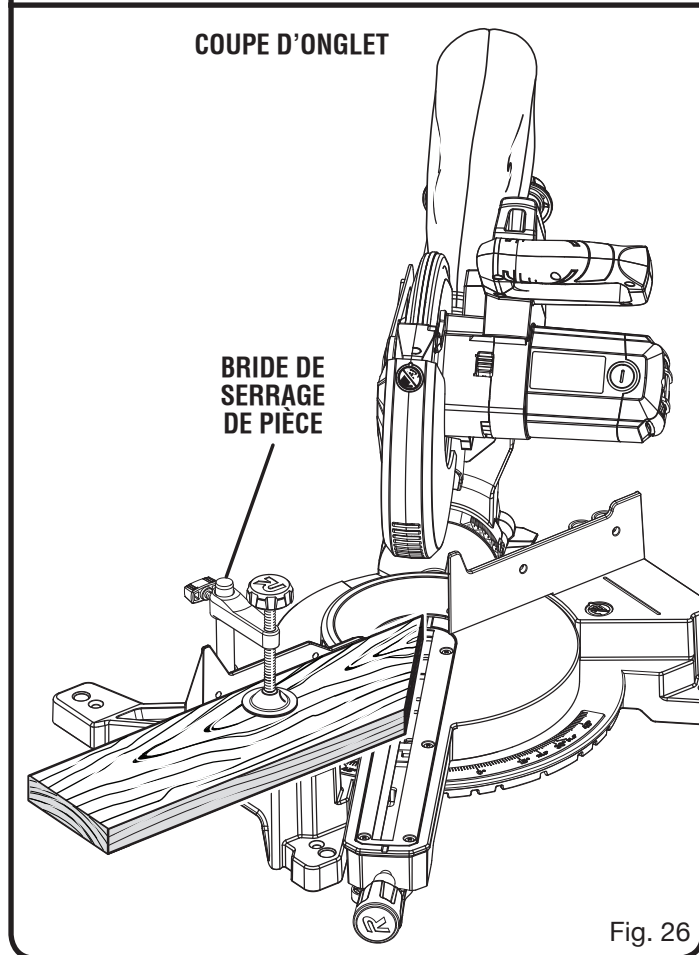


Fig. 26

UTILISATION

- Aligner la ligne de coupe de la pièce sur le bord de la lame ou ligne DEL.
- Saisir fermement la pièce d'une main et la caler contre le guide. Dans la mesure du possible, utiliser la bride de serrage de pièce ou un serre-joint pour maintenir la pièce.
- Avant de mettre la scie en marche, effectuer un essai à vide, afin de s'assurer qu'aucun problème ne se présentera lorsque la coupe est effectuée.
- Saisir fermement le manche de la scie. Enfoncer le dispositif de verrouillage avec le po puis serrer la gâchette. Attendre quelques secondes que la lame atteigne sa vitesse de rotation maximale.
- Abaisser lentement la lame sur la pièce.
- Relâcher la gâchette et attendre l'arrêt complet de la lame avant de la relever de la pièce et de retirer la pièce de la table à onglet.

COUPE EN BISEAU

Voir la figure 27.

Une coupe en biseau est réalisée en travers du grain de la pièce, avec la lame en biais. Pour effectuer une coupe en biseau droite, la table à onglets doit être réglée sur 0° et la lame entre 0° et 45°.

- Glisser la tête de la scie complètement vers l'arrière et serrer fermement le bouton de verrouillage de coulissement.
- Tirer l'axe de verrouillage du bras et relever ce dernier complètement.
- Desserrer la poignée de verrouillage d'angle d'environ un demi-tour et presser le levier de verrouillage à encliquetage.
- Tourner le bras de commande de manière à aligner le pointeur sur la graduation correspondant à l'angle désiré.
- Relâcher le levier de verrouillage à encliquetage puis serrer le bouton de verrouillage d'onglet pour immobiliser la table à onglets.

NOTE : La scie peut être réglée rapidement sur 0, 15, 22,5, 31,6 ou 45° à gauche ou à droite en relâchant le levier de verrouillage à encliquetage tout en tournant le bras de commande. Le bras de commande s'insérera automatiquement dans l'une des encoches de butée positive de la base de la table à onglets.

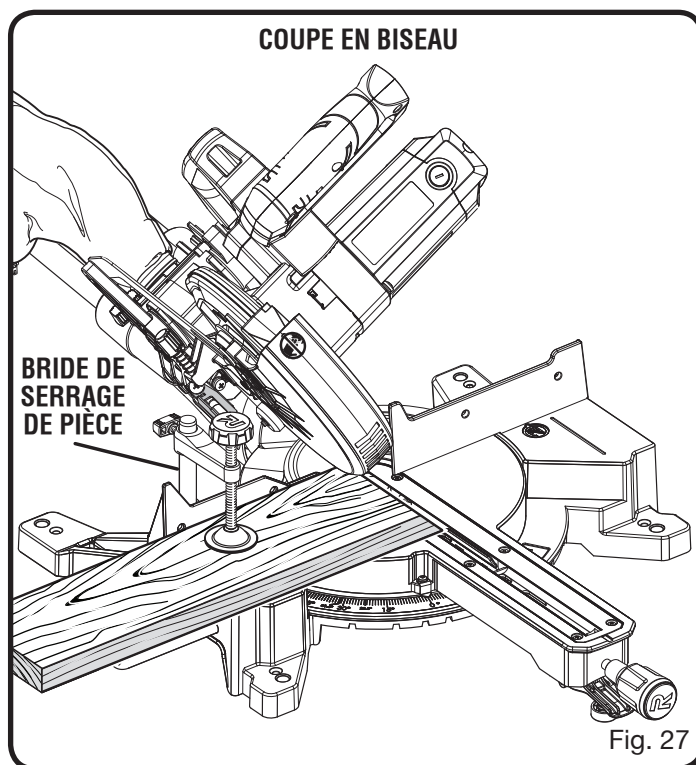
- Desserrer le bouton de verrouillage d'angle de biseau et régler le bras de la scie sur l'angle désiré.
- L'angle de biseau est réglable de 0° à 45°.
- Aligner le point de repère sur la graduation correspondant à l'angle désiré.
- Une fois le bras réglé sur l'angle désiré, serrer fermement le bouton de verrouillage de biseau.
- Placer la pièce à couper à plat sur la table à onglets, l'un de ses bords solidement appuyé contre le guide. Si la planche est voilée, placer le côté convexe contre le guide. Si le bord concave d'une pièce est placé contre le guide, la pièce peut se refermer sur la lame en fin de coupe et la bloquer. Voir les figures 39 et 40.

- Lors de la coupe de planches ou de moulures longues, soutenir l'extrémité libre de la pièce avec un chevalet à rouleau ou un plan de travail se trouvant au même niveau que la scie. Voir la figure 30.
- Glisser la tête de la scie complètement vers l'arrière et serrer fermement le bouton de verrouillage de coulissement.
- Aligner la ligne de coupe de la pièce sur le bord de la lame ou ligne DEL.
- Saisir fermement la pièce d'une main et la caler contre le guide. Dans la mesure du possible, utiliser la bride de serrage optionnelle ou un serre-joint pour maintenir la pièce.
- Avant de mettre la scie en marche, effectuer un essai à vide, afin de s'assurer qu'aucun problème ne se présentera lorsque la coupe est effectuée.
- Saisir la poignée de la scie fermement et appuyer sur la gâchette. Attendre quelques secondes que la lame parvienne à sa vitesse de rotation maximum.
- Abaisser lentement la lame sur la pièce.
- Relâcher la gâchette et attendre l'arrêt complet de la lame avant de la relever de la pièce. Attendre que le frein électrique ait complètement stoppé la lame avant de retirer la pièce de la table.

COUPE D'ONGLET COMPOSÉ

Voir les figures 28 et 29.

Une coupe d'onglet composé consiste à utiliser un angle d'onglet et un angle de biseau simultanément. Ce type de coupe est utilisé pour la réalisation de cadres, de boîtes à pans inclinés et certains travaux de charpente.



UTILISATION

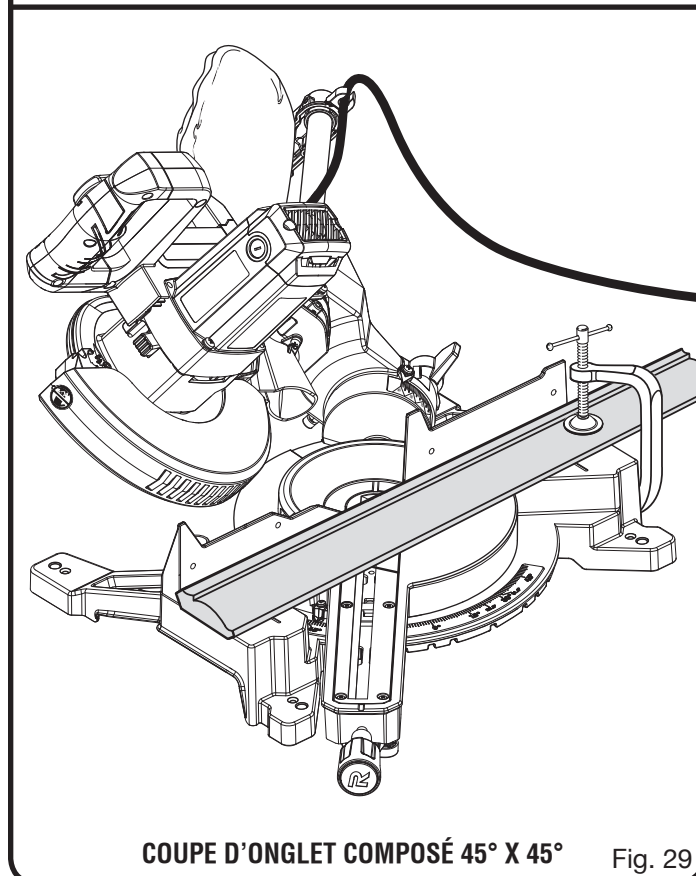
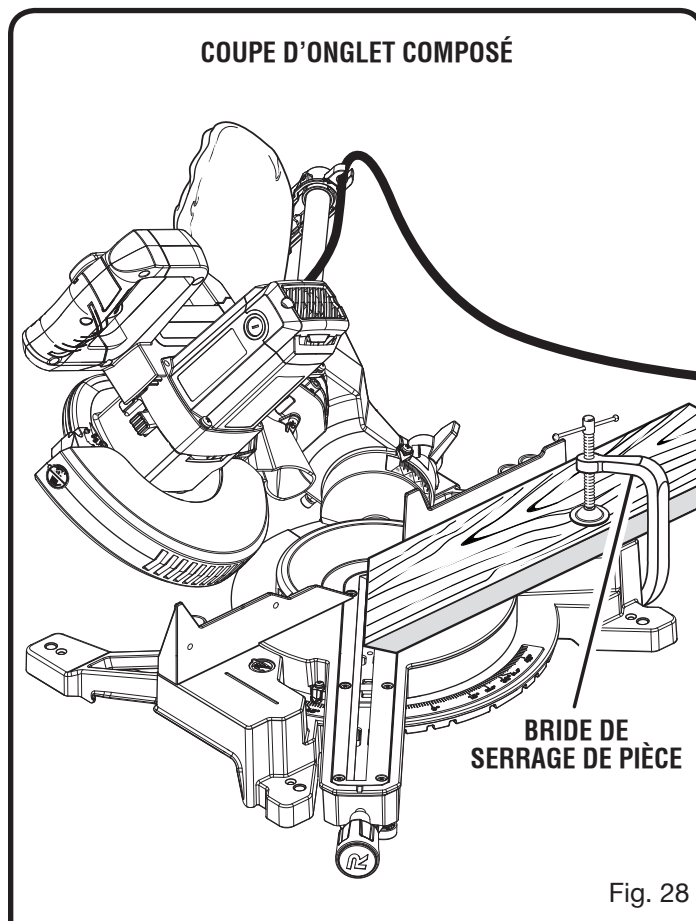
Pour effectuer ce type de coupe, le bras de commande de la table doit être réglé sur l'angle d'onglet désiré et la scie doit être inclinée sur l'angle de biseau correct. Le plus grand soin doit être apporté aux réglages pour onglets composés, du fait de l'interaction des deux réglages d'angle.

Les réglages d'angles d'onglet et de biseau sont relationnels. Tout changement de l'angle d'onglet affecte le réglage de l'angle de biseau. De même, tout changement de l'angle de biseau affecte le réglage de l'angle d'onglet.

Plusieurs réglages peuvent s'avérer nécessaires pour obtenir la coupe désirée. Le premier réglage d'angle doit être vérifié après avoir effectué le second, étant donné que ce second réglage affecte le premier.

Une fois les réglages correct pour une coupe désirée obtenus, toujours effectuer une coupe d'essai sur une chute avant de couper la pièce définitive.

- Glisser la tête de la scie complètement vers l'arrière et serrer fermement le bouton de verrouillage de coulissement.
- Tirer l'axe de verrouillage du bras et relever ce dernier complètement.
- Desserrer la poignée de verrouillage d'angle d'environ un demi-tour et presser le levier de verrouillage à encliquetage.
- Tourner le bras de commande de manière à aligner le pointeur sur la graduation correspondant à l'angle désiré.
- Relâcher le levier de verrouillage à encliquetage puis serrer le bouton de verrouillage d'onglet pour immobiliser la table à onglets.
- Desserrer le bouton de verrouillage d'angle de biseau et régler le bras de la scie sur l'angle désiré.
- L'angle de biseau est réglable de 0° à 45°.
- Une fois le bras de scie réglé à l'angle désiré, serrer fermement le bouton de verrouillage de biseau.
- Vérifiez à nouveau l'angle de coupe d'onglet. Faites une coupe d'essai dans une chute.
- Placez la pièce à plat sur la table d'onglet, l'un des bords bien placé contre le guide. Si la pièce est gauchie, placez le côté convexe contre le guide. Si le bord concave de la pièce se trouve contre le guide, la pièce pourrait s'affaisser à la fin de la coupe et coincer la lame. *Voir les figures 39 et 40.*
- Lors de la coupe de longues pièces ou moulures, retenez l'extrémité opposée de la pièce avec un support à rouleau ou une surface de travail de niveau avec la table de la scie. *Voir la figure 30.*
- Glissez la tête de la scie complètement vers l'arrière et serrer fermement le bouton de verrouillage de coulissement.
- Alignez la ligne de coupe de la pièce avec le bord de la lame de la scie ou ligne DEL.
- Saisissez fermement la pièce d'une main et la caler contre le guide. Dans la mesure du possible, utilisez la bride de serrage de pièce ou un serre-joint pour maintenir la pièce.



UTILISATION

- Avant de mettre la scie en marche, effectuer un essai à vide, afin de s'assurer qu'aucun problème ne se présentera lorsque la coupe est effectuée.
- Saisir fermement le manche de la scie. Enfoncer le dispositif de verrouillage avec le pouce puis serrer la gâchette. Attendre quelques secondes que la lame atteigne sa vitesse de rotation maximale.
- Abaissez lentement la lame dans la pièce pour la couper.
- Relâcher la gâchette et attendre l'arrêt complet de la lame avant de la relever de la pièce et de retirer la pièce de la table à onglet.

SUPPORT DE PIÈCES LONGUES

Voir la figure 30.

Les pièces longues nécessitent un support additionnel. Les supports doivent être placés sous la pièce, de manière à ce qu'elle ne fléchisse pas. Les supports doivent permettre à la pièce de reposer à plat sur la base de la scie et la table pendant la coupe. Dans la mesure du possible, utiliser bride de serrage de pièce ou serre-joint pour maintenir la pièce.



AVERTISSEMENT :

Ne jamais couper en tirant la scie vers soi car la lame pourrait grimper sur le haut de la pièce et se déplacer vers l'opérateur. Le non-respect de cet avertissement pourrait entraîner des blessures graves.

COUPE À COULISSEMENT

Voir les figures 31 et 32.

The sliding feature will cut workpieces up to 1-1/2 in. thick and 9-1/4 in. wide. Avec la scie à l'arrêt, tirer le bras de la scie vers l'avant. Mettre la scie en marche (laisser la lame atteindre la vitesse maximum) puis pousser la lame vers le bas sur la pièce à travailler puis vers l'arrière de la scie pour faire la coupe. Les coupes peuvent être réalisées en poussant la lame de la scie à l'écart de soi et vers le rapporteur de biseau à l'arrière de la scie et en s'arrêtant lorsque la position arrière complète a été atteinte après chaque coupe. Lorsque la scie est en marche, **NE JAMAIS** tirer la lame de la scie vers soi ou vers l'avant de la scie.

- Relever complètement le bras de la scie.
- Placer la pièce à couper à plat sur la table à onglet, l'un de ses bords solidement appuyé contre le guide. Si la planche est voilée, placer le côté convexe contre le guide. Si le bord concave d'une pièce est placé contre le guide, la pièce peut se refermer sur la lame en fin de coupe et la bloquer. Voir les figures 39 et 40.
- Lors de la coupe de planches ou de moulures longues, soutenir l'extrémité libre de la pièce avec un chevalet à rouleau ou un plan de travail se trouvant au même niveau que la scie. Voir la figure 30.

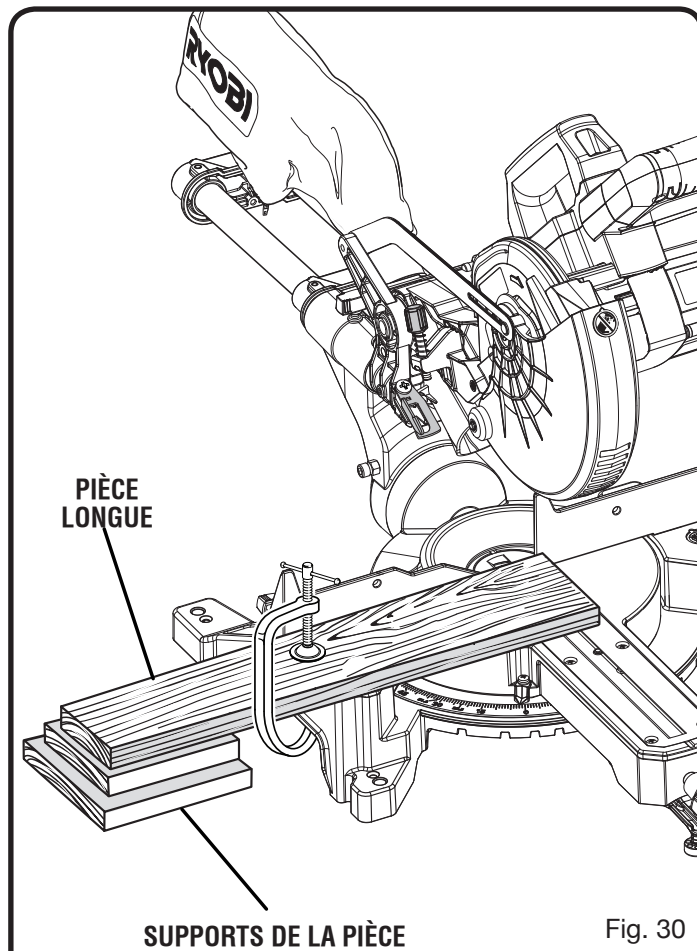


Fig. 30

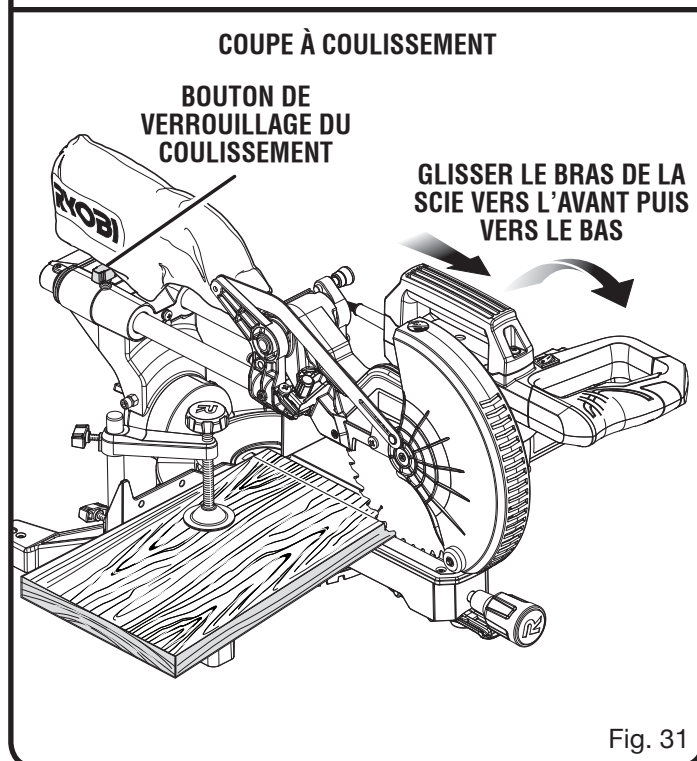


Fig. 31

UTILISATION

- Aligner la ligne de coupe de la pièce sur le bord de la lame ou ligne DEL.
- Desserrer le bouton de verrouillage de coulissement en le tournant dans le sens inverse des aiguilles d'une montre.
- Saisir fermement la pièce d'une main et la caler contre le guide. Dans la mesure du possible, utiliser la bride de serrage de pièce ou un serre-joint pour maintenir la pièce.
- Avant de mettre la scie en marche, effectuer un essai à vide, afin de s'assurer qu'aucun problème ne se présentera lorsque la coupe est effectuée.
- Avec la scie à l'arrêt, saisir fermement la poignée de la scie et tirer la scie vers l'avant jusqu'à ce que l'arbre de la lame (centre de la lame de la scie) soit au-delà de l'avant de la pièce à travailler ou jusqu'à ce que la scie soit complètement déployée.
- Serrer la gâchette. Attendre quelques secondes que la lame atteigne sa vitesse de rotation maximale.
- Abaisser lentement la lame sur et au travers du bord avant de la pièce.
- Pousser la poignée de la scie à l'écart de soi et vers le rapporteur de biseau à l'arrière de la scie.
- Relâcher la gâchette et attendre l'arrêt complet de la lame avant de la relever de la pièce et de retirer la pièce de la table à onglet.

NOTE : La coupe est effectuée en travers du grain de la pièce de bois. Pour effectuer une coupe transversale droite, la table à onglet doit être réglée sur 0°. Les coupes d'onglets sont réalisées en réglant la table sur tout angle autre que 0°.

COMMENT FABRIQUER UNE GUIDE AUXILIAIRE

Voir la figure 33.

Certaines coupes inhabituelles peuvent être facilitées par un guide d'onglet plus épais (guide auxiliaire) en raison de la taille et de la position de la pièce. Les trous fournis dans le guide d'onglets sont destinés à cet usage. Les trous du guide d'onglets sont utilisés pour fixer le guide auxiliaire qui exige deux morceaux de bois de 19,05 mm (3/4 po) d'épaisseur, 63,5 mm (2 1/2 po) de hauteur et 184 mm (7 1/4 po) de longueur.

NOTE : Le guide auxiliaire ne peut être utilisé que lorsque le biseau est réglé à 0°. Lorsqu'une coupe biseautée est effectuée, le guide auxiliaire **DOIT** être retiré.

Pour fixer le guide auxiliaire à la scie :

- Placer un morceau de bois de 184 mm (7-1/4 po) contre le guide d'onglets en l'alignant avec le bord gauche de la table d'onglets et tracer l'emplacement du trou derrière le guide à l'aide d'un crayon.
- Percer les trous à travers le bois puis fraiser les trous à l'avant de la pièce de bois.
- Bloquer le bois sur le guide d'onglet avec des boulons, rondelles, et écrous.

- Faire une coupe d'onglet de 45° gauche complète en passant par le côté gauche du guide auxiliaire.

NOTE : Vérifier qu'il n'y a pas d'interférence entre le guide auxiliaire et la protection de lame inférieure. Corriger toute interférence avant de continuer.

- Répéter les étapes avec une deuxième plinthe en l'alignant avec le côté droit de la table d'onglets.

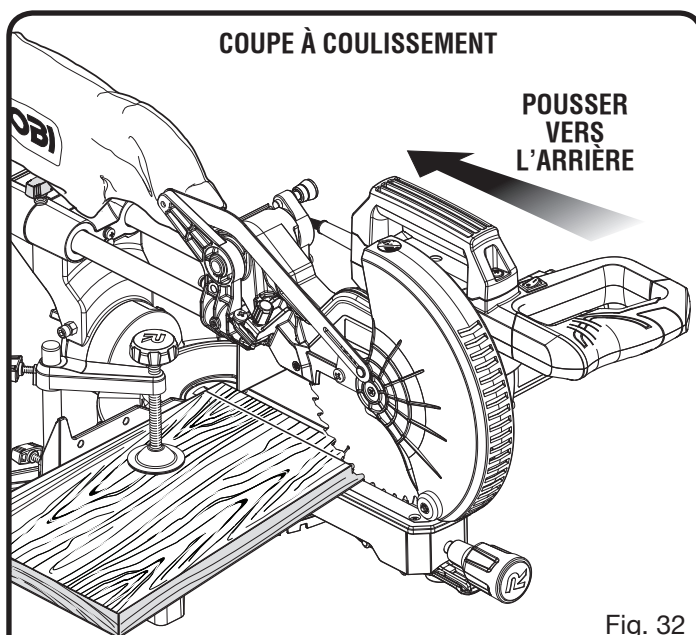


Fig. 32

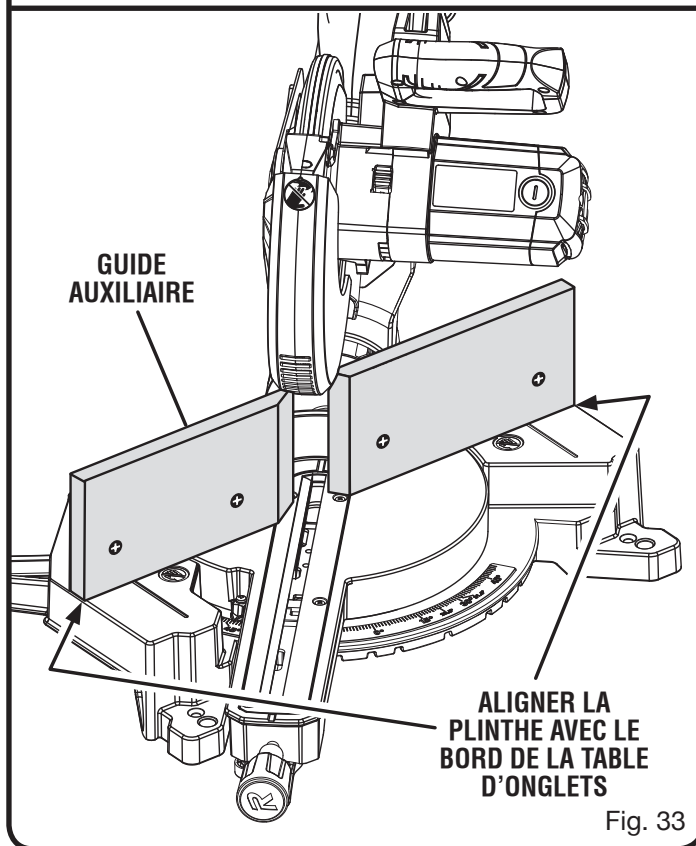


Fig. 33

UTILISATION

COUPE D'ONGLETS COMPOSÉS

Le tableau des réglages d'angles ci-dessous est conçu pour faciliter les réglages. Les coupes composées étant les plus difficiles à réaliser, des essais doivent être effectués sur des chutes et la coupe définitive ne doit être effectuée qu'après mûre réflexion et planification.

| ANGLE DE CÔTÉ | NOMBRE DE CÔTÉS | | | | | | |
|---------------|------------------------|------------------------|------------------------|------------------------|------------------------|------------------------|------------------------|
| | 4 | 5 | 6 | 7 | 8 | 9 | 10 |
| 0° | M- 45,00° B- 0,00° | M- 36,00° B- 0,00° | M- 30,00° B- 0,00° | M- 25,71° B- 0,00° | M- 22,50° B- 0,00° | M- 20,00° B- 0,00° | M- 18,00° B- 0,00° |
| 5° | M- 44,89° B- 3,53° | M- 35,90° B- 2,94° | M- 29,91° B- 2,50° | M- 25,63° B- 2,17° | M- 22,42° B- 1,91° | M- 19,93° B- 1,71° | M- 17,94° B- 1,54° |
| 10° | M- 44,56° B- 7,05° | M- 35,58° B- 5,86° | M- 29,62° B- 4,98° | M- 25,37° B- 4,32° | M- 22,19° B- 3,81° | M- 19,72° B- 3,40° | M- 17,74° B- 3,08° |
| 15° | M- 44,01° B- 10,55° | M- 35,06° B- 8,75° | M- 29,15° B- 7,44° | M- 24,95° B- 6,45° | M- 21,81° B- 5,68° | M- 19,37° B- 5,08° | M- 17,42° B- 4,59° |
| 20° | M- 43,22° B- 14,00° | M- 34,32° B- 11,60° | M- 28,48° B- 9,85° | M- 24,35° B- 8,53° | M- 21,27° B- 7,52° | M- 18,88° B- 6,72° | M- 16,98° B- 6,07° |
| 25° | M- 42,19° B- 17,39° | M- 33,36° B- 14,38° | M- 27,62° B- 12,20° | M- 23,56° B- 10,57° | M- 20,58° B- 9,31° | M- 18,26° B- 8,31° | M- 16,41° B- 7,50° |
| 30° | M- 40,89° B- 20,70° | M- 32,18° B- 17,09° | M- 26,57° B- 14,48° | M- 22,64° B- 12,53° | M- 19,73° B- 11,03° | M- 17,50° B- 9,85° | M- 15,72° B- 8,89° |
| 35° | M- 39,32° B- 23,93° | M- 30,76° B- 19,70° | M- 25,31° B- 16,67° | M- 21,53° B- 14,41° | M- 18,74° B- 12,68° | M- 16,60° B- 11,31° | M- 14,90° B- 10,21° |
| 40° | M- 37,45° B- 27,03° | M- 29,10° B- 22,20° | M- 23,86° B- 18,75° | M- 20,25° B- 16,19° | M- 17,60° B- 14,24° | M- 15,58° B- 12,70° | M- 13,98° B- 11,46° |
| 45° | M- 35,26° B- 30,00° | M- 27,19° B- 24,56° | M- 22,21° B- 20,70° | M- 18,80° B- 17,87° | M- 16,32° B- 15,70° | M- 14,43° B- 14,00° | M- 12,94° B- 12,62° |
| 50° | M- 32,73° B- 32,80° | M- 25,03° B- 26,76° | M- 20,36° B- 22,52° | M- 17,20° B- 19,41° | M- 14,91° B- 17,05° | M- 13,17° B- 15,19° | M- 11,80° B- 13,69° |
| 55° | M- 29,84° B- 35,40° | M- 22,62° B- 28,78° | M- 18,32° B- 24,18° | M- 15,44° B- 20,82° | M- 13,36° B- 18,27° | M- 11,79° B- 16,27° | M- 10,56° B- 14,66° |
| 60° | M- 26,57° B- 37,76° | M- 19,96° B- 30,60° | M- 16,10° B- 25,66° | M- 13,54° B- 22,07° | M- 11,70° B- 19,35° | M- 10,31° B- 17,23° | M- 9,23° B- 15,52° |
| 65° | M- 22,91° B- 39,86° | M- 17,07° B- 32,19° | M- 13,71° B- 26,95° | M- 11,50° B- 23,16° | M- 9,93° B- 20,29° | M- 8,74° B- 18,06° | M- 7,82° B- 16,26° |
| 70° | M- 18,88° B- 41,64° | M- 13,95° B- 33,53° | M- 11,17° B- 28,02° | M- 9,35° B- 24,06° | M- 8,06° B- 21,08° | M- 7,10° B- 18,75° | M- 6,34° B- 16,88° |
| 75° | M- 14,51° B- 43,08° | M- 10,65° B- 34,59° | M- 8,50° B- 28,88° | M- 7,10° B- 24,78° | M- 6,12° B- 21,69° | M- 5,38° B- 19,29° | M- 4,81° B- 17,37° |
| 80° | M- 9,85° B- 44,14° | M- 7,19° B- 35,37° | M- 5,73° B- 29,50° | M- 4,78° B- 25,30° | M- 4,11° B- 22,14° | M- 3,62° B- 19,68° | M- 3,23° B- 17,72° |
| 85° | M- 4,98° B- 44,78° | M- 3,62° B- 35,84° | M- 2,88° B- 29,87° | M- 2,40° B- 25,61° | M- 2,07° B- 22,41° | M- 1,82° B- 19,92° | M- 1,62° B- 17,93° |
| 90° | M- 0,00° B- 45,00° | M- 0,00° B- 36,00° | M- 0,00° B- 30,00° | M- 0,00° B- 25,71° | M- 0,00° B- 22,50° | M- 0,00° B- 20,00° | M- 0,00° B- 18,00° |

Chaque angle B (biseau) et M (onglet) est indiquée au 0,005 ème de degré le plus proche.

RÉGLAGES D'ANGLES COMPOSÉS POUR LES CONSTRUCTIONS COURANTES

UTILISATION

COUPE DE MOULURE COURONNÉE

Cette scie à onglets est idéale pour la coupe de moulures couronnées. En général, les scies à onglets sont préférables à tout autre outil pour la coupe de moulures couronnées.

Pour un ajustage adéquat, les moulures couronnées doivent être coupées avec une précision extrême.

Les deux surfaces de contact d'une section de moulure couronnée se fixant à plat sur le plafond et le mur d'une pièce, à des angles qui, lorsqu'ils sont additionnés, totalisent exactement 90°. La plupart des moulures couronnées présentent un angle supérieur arrière (partie reposant à plat contre le plafond) de 52° et un angle inférieur arrière (partie reposant à plat sur le mur) de 38°.

POSE DE LA MOULURE À PLAT SUR LA TABLE À ONGLETS

Voir la figure 34.

Pour effectuer une coupe à 90° intérieure ou extérieure précise selon cette méthode, poser la moulure avec sa face arrière large à plat sur la table, contre le guide.

Lors du réglage des angles d'onglets et de biseaux pour les onglets combinés, se rappeler que les réglages sont interdépendants : la modification d'un angle modifie également l'autre angle. Se rappeler également que les angles de moulures couronnées doivent être extrêmement précis et qu'ils sont difficiles à obtenir.

Étant donné que ces angles peuvent très facilement être faussés, tous les réglages doivent être vérifiés en effectuant une coupe d'essai sur une chute. En outre, la plupart des murs ne présentant pas des angles d'exactly 90°, il est nécessaire d'ajuster les réglages en conséquence.

Lors de la coupe d'une moulure couronnée à l'aide de cette méthode, l'angle de biseau doit être réglé à 33,85°. L'angle d'onglet doit être réglé à 31,6° à droite ou à gauche, suivant le sens de coupe nécessaire pour l'application. Consulter le tableau ci-dessous pour les réglages d'angle et le positionnement corrects de la moulure sur la table.

Les réglages indiqués au tableau ci-dessous peuvent être utilisés pour la coupe de toutes les moulures américaines standard à angles de 52° et 38°. La moulure couronnée est placée à plat sur la table pour utiliser les fonctions de coupe composée de la scie.

| Biseau Angle Réglage | Type de coupe |
|----------------------------|--|
| 33,85° | Coin intérieur, côté gauche 1. Bord supérieur de la moulure contre le guide 2. Angle d'onglet réglé à droite sur 31,62° 3. Conserver la section gauche de la pièce coupée |
| 33,85° | Coin intérieur, côté droit 1. Bord inférieur de la moulure contre le guide 2. Angle d'onglet réglé à gauche sur 31,62° 3. Conserver la section gauche de la pièce coupée |
| 33,85° | Coin extérieur, côté gauche 1. Bord inférieur de la moulure contre le guide 2. Angle d'onglet réglé à gauche sur 31,62° 3. Conserver la section droite de la pièce coupée |
| 33,85° | Côté droit, coin extérieur 1. Bord supérieur de la moulure contre le guide 2. Angle d'onglet réglé à droite sur 31,62° 3. Conserver la section droite de la pièce coupée |

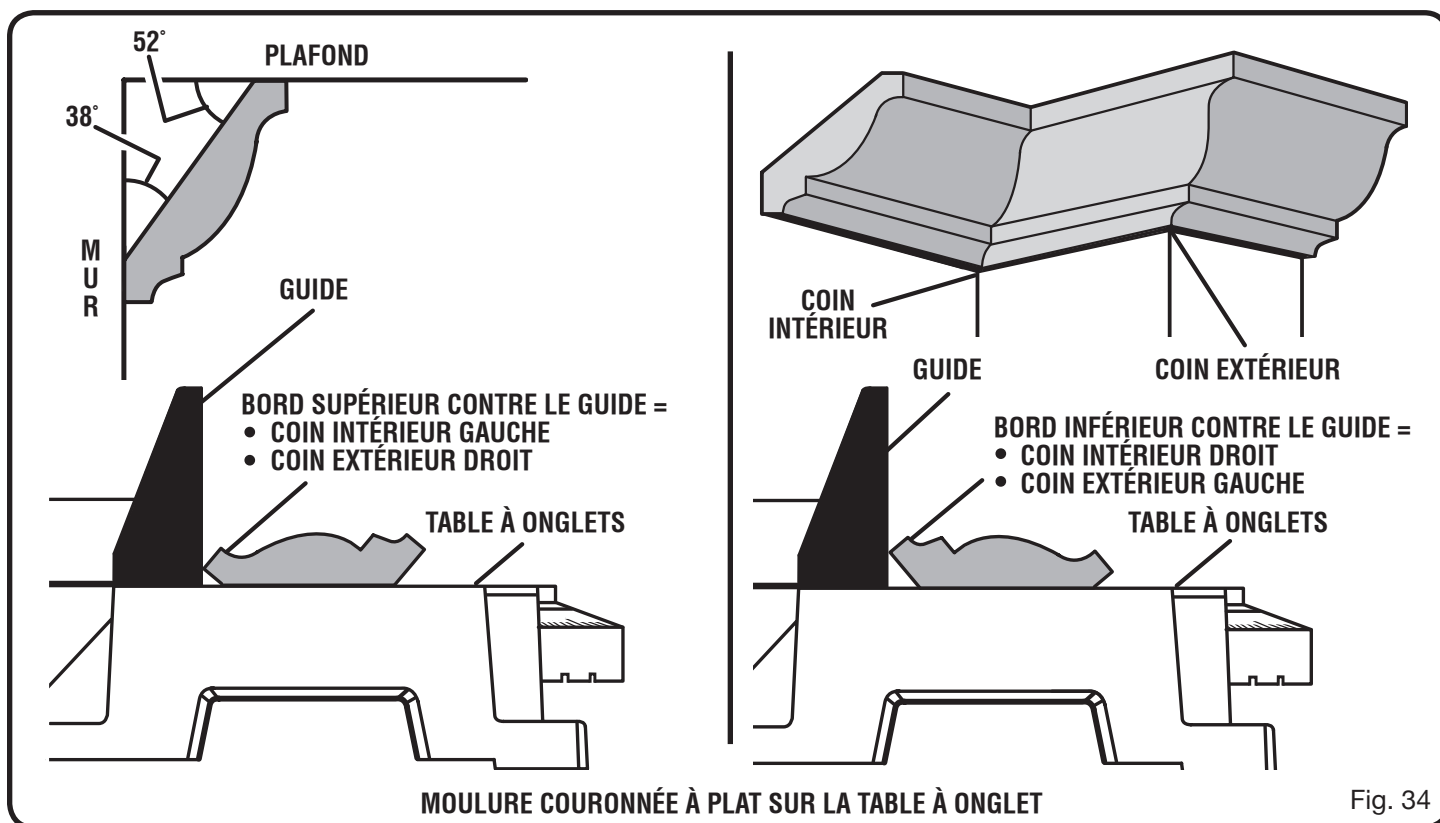


Fig. 34

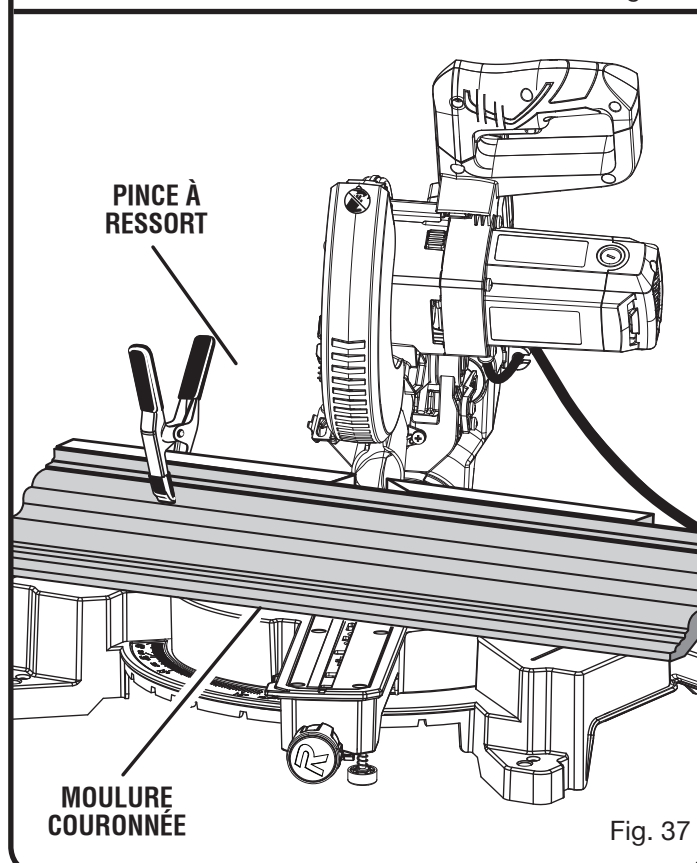
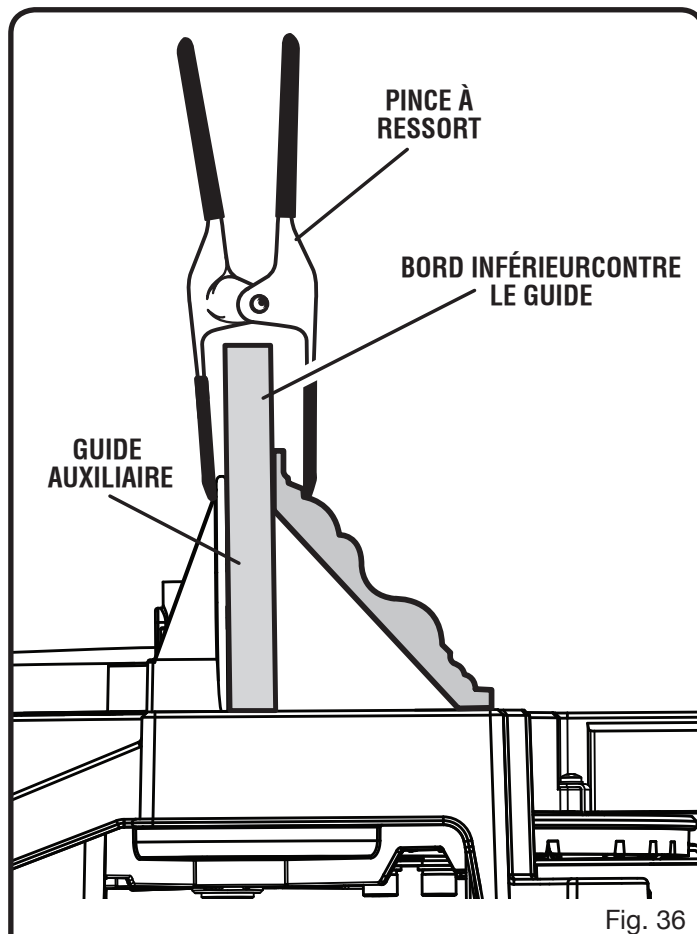
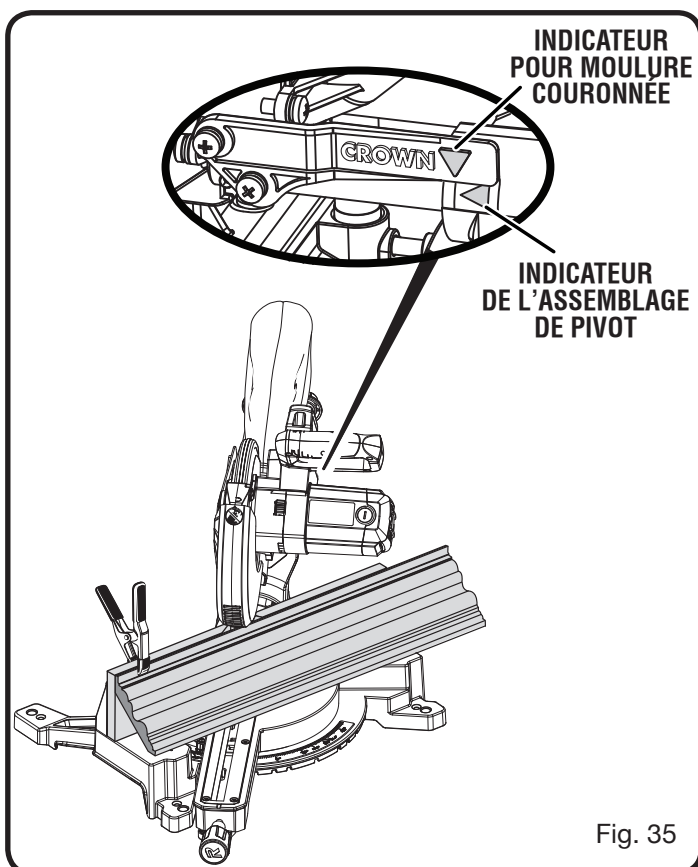
UTILISATION

MOULURE COURONNÉE EMBOÎTÉE CONTRE LE GUIDE D'ONGLET

Voir les figures 35 et 37.

NOTE : Cette méthode de coupe s'applique à la moulure couronnée ayant jusqu'à 87,73 mm (3 3/8 po) de hauteur, avec l'utilisation du guide auxiliaire (comme décrit à la page 24). Ne pas essayer de couper une moulure plus large que 87,73 mm (3 3/8 po) de hauteur.

- Assembler et fixer le guide auxiliaire comme montré à la figure 33.
- Aligner la flèche de l'indicateur pour moulure couronnée avec la flèche de l'assemblage de pivot et bien serrer le bouton de verrouillage du coulissement.
- Régler l'angle de biseau à 0° et l'angle d'onglet à 45° vers la droite ou la gauche (pour faire des coins à 90°).
- Embriquer et immobiliser fermement la moulure couronnée contre le guide longitudinal en utilisant une pince à ressort et maintenir fermement la moulure couronnée.
- Avant de mettre la scie en marche, effectuer un exercice général pour s'assurer qu'aucun problème ne se produira lors de la coupe.
- Saisir fermement la poignée de la scie. Appuyer sur l'interrupteur à gâchette. Attendre plusieurs secondes afin que la lame atteigne sa vitesse maximale.
- Abaisser lentement la lame sur la moulure couronnée et traverser celle-ci.



UTILISATION

COUPE VERTICALE DE MOULURE DE BASE CONTRE LE GUIDE D'ONGLETS

Voir la figure 38.

- Placer l'angle de biseau à 0° et l'angle d'onglet à 45° vers la gauche ou la droite. (Pour faire des coins à 90°.)
- Placer et fixer la moulure de base verticalement sur le guide à l'aide de la pince à ressort, et bien tenir la moulure de base.

NOTE : Pour éviter l'interférence entre la moulure de base et le moteur lorsqu'on la coupe ou qu'on la taille à un angle de 45° vers la droite, la moulure ne devrait pas être placée à plus de 12,70 mm (1/2 po) par-dessus la plaque à rainure.

- Avant de mettre la scie en marche, faire un essai de coupe pour s'assurer qu'aucun problème ne surviendra pendant la coupe.
- Bien prendre la poignée de la scie. Appuyer sur l'interrupteur à gâchette. Donner plusieurs secondes à la scie pour que la lame atteigne sa vitesse maximale.
- Abaisser lentement la lame sur la moulure de base pour la couper.

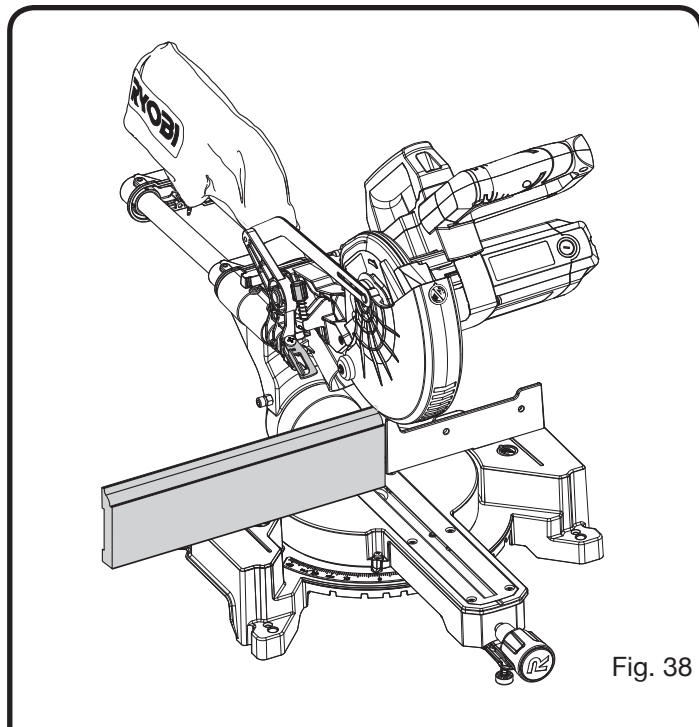
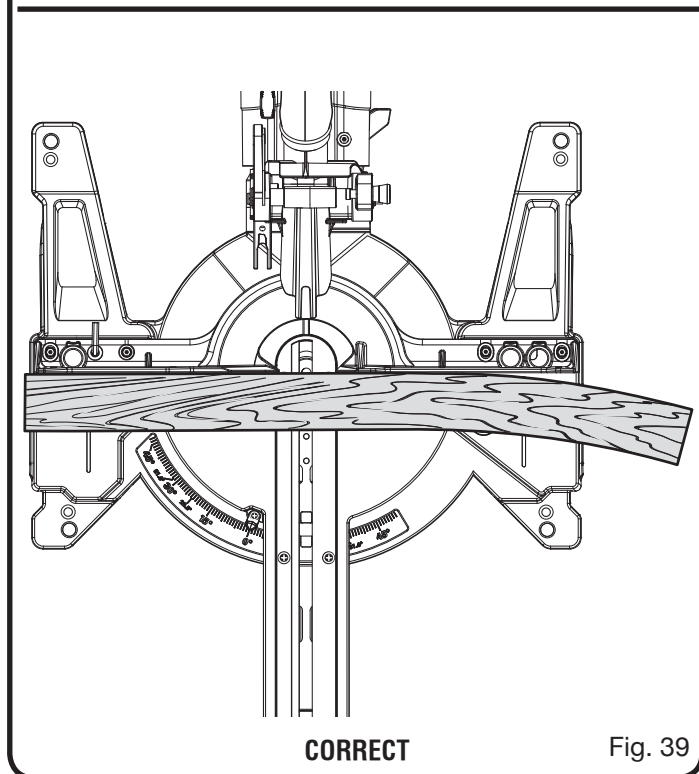


Fig. 38



CORRECT

Fig. 39

UTILISATION

COUPE DE PIÈCES VOILÉES

Voir les figures 39 et 40.

Lors de la coupe d'une pièce voilée, toujours s'assurer que son bord convexe est placé contre le guide, comme le montre la figure 39.

Si une pièce voilée est placée dans le mauvais sens, comme illustré à la figure 40, elle pincera la lame vers la fin de la coupe.



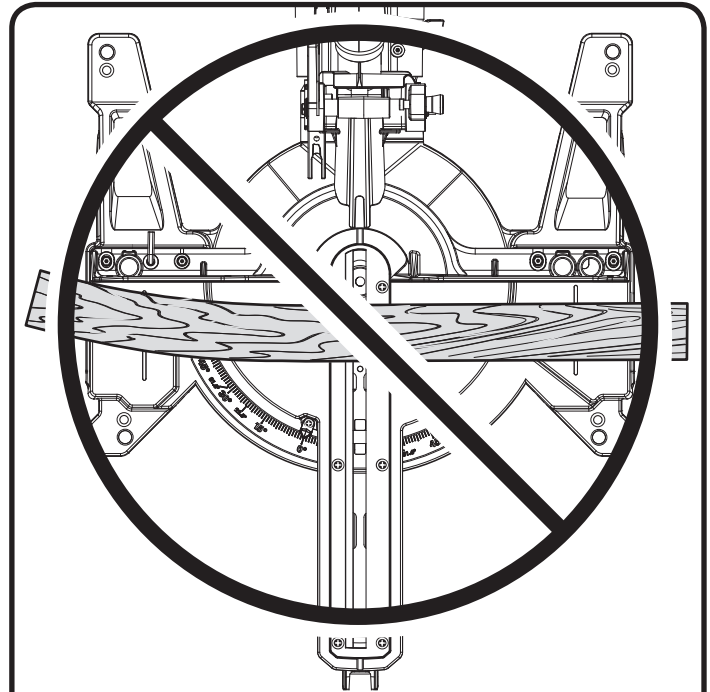
AVERTISSEMENT :

Pour éviter les risques de rebond et de blessures graves, ne jamais placer le bord concave d'une pièce voilée ou déformée contre le guide.

FIXATION DE PIÈCES LARGES

Voir la figure 41.

Les pièces larges, de dimensions telles que 51 x 152 mm (2 x 6 po) doivent être assujetties avec baride de serrage de pièce comme illustré à la figure 41.



INCORRECT

Fig. 40

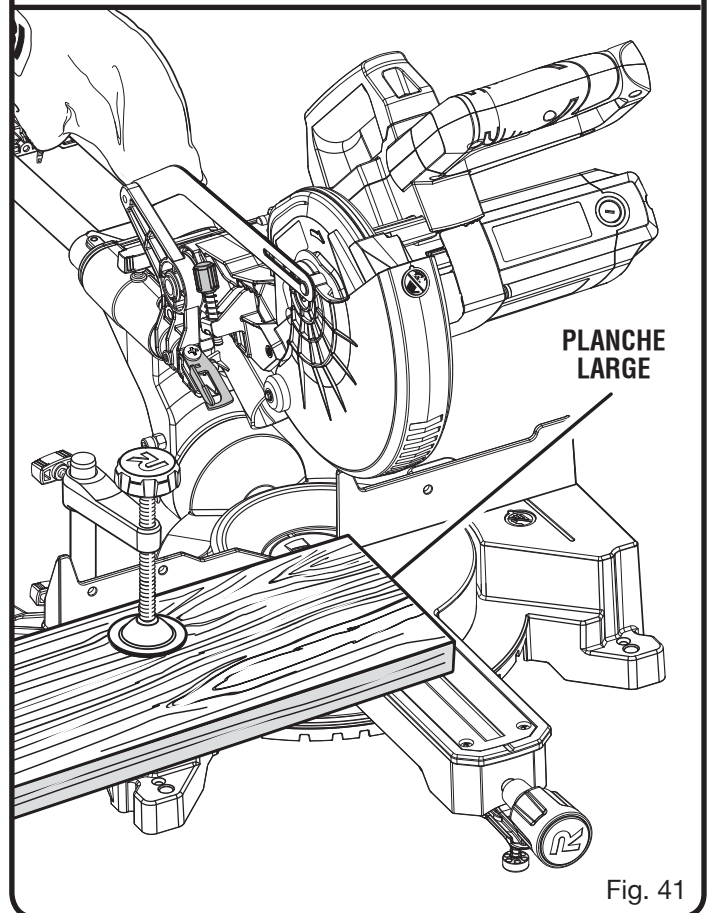


PLANCHE
LARGE

Fig. 41

RÉGLAGES

AVERTISSEMENT :

Avant d'effectuer tout réglage, s'assurer que l'outil est débranché. Le non respect de cet avertissement pourrait entraîner des blessures graves.

La scie à onglets composés a été réglée en usine pour effectuer des coupes très précises. Toutefois, certains composants peuvent avoir été désalignés pendant le transport. En outre, après un certain temps des réglages s'avéreront probablement nécessaires, du fait de l'usure. Une fois la scie déballée, vérifier les réglages indiqués ci-dessous avant de l'utiliser. Effectuer tous les réglages nécessaires et vérifier périodiquement l'alignement des pièces pour s'assurer que la scie effectue des coupes précises.

RÉGLAGES DES PIVOTS

NOTE : Ces réglages ont été effectués en usine et n'ont normalement pas besoin d'être refaits.

RÉGLAGE DU PIVOT DE BRAS

- Le bras de la scie doit se relever complètement de lui-même.
- Si le bras de la scie ne se relève pas de lui-même ou si les articulations présentent du jeu, faire réparer la scie par le **CENTRE DE RÉPARATIONS** le plus proche.

RÉGLAGE DU PIVOT DE BISEAU

- La scie à onglets composés doit biseauter facilement en dévissant le bouton de verrouillage de biseau.
- Si le mouvement est restreint ou si les articulations présentent du jeu, faire réparer la scie par le **CENTRE DE RÉPARATIONS** le plus proche.

RÉGLAGES DE BUTÉE POSITIVE

Voir la figure 42.

NOTE : Ces réglages ont été effectués en usine et n'ont normalement pas besoin d'être refaits.

Réglage :

- Débrancher la scie.
- Desserrer le bouton de verrouillage d'angle de biseau en le tournant dans le sens inverse des aiguilles d'une montre.
- Mettre la lame perpendiculaire à la table à onglets, comme décrit au chapitre « *Assemblage* » de ce manuel.
- Si la lame n'est pas à angle droit, serrer fermement l'écrou de blocage et serrer ou desserrer la vis de réglage de butée positive avec de la clé de lame fournie.
- Resserrer le bouton de verrouillage de biseau. Vérifier de nouveau l'alignement de la lame sur la table.

NOTE : La procédure ci-dessus peut être utilisée pour vérifier l'alignement de la lame sur la table à 0° et 45°.

La scie présente plusieurs indicateur d'échelle. Une fois les réglages d'alignement effectués, il peut être nécessaire de desserrer les vis indicateur pour les régler à zéro. *Voir les figures 19 et 20.*

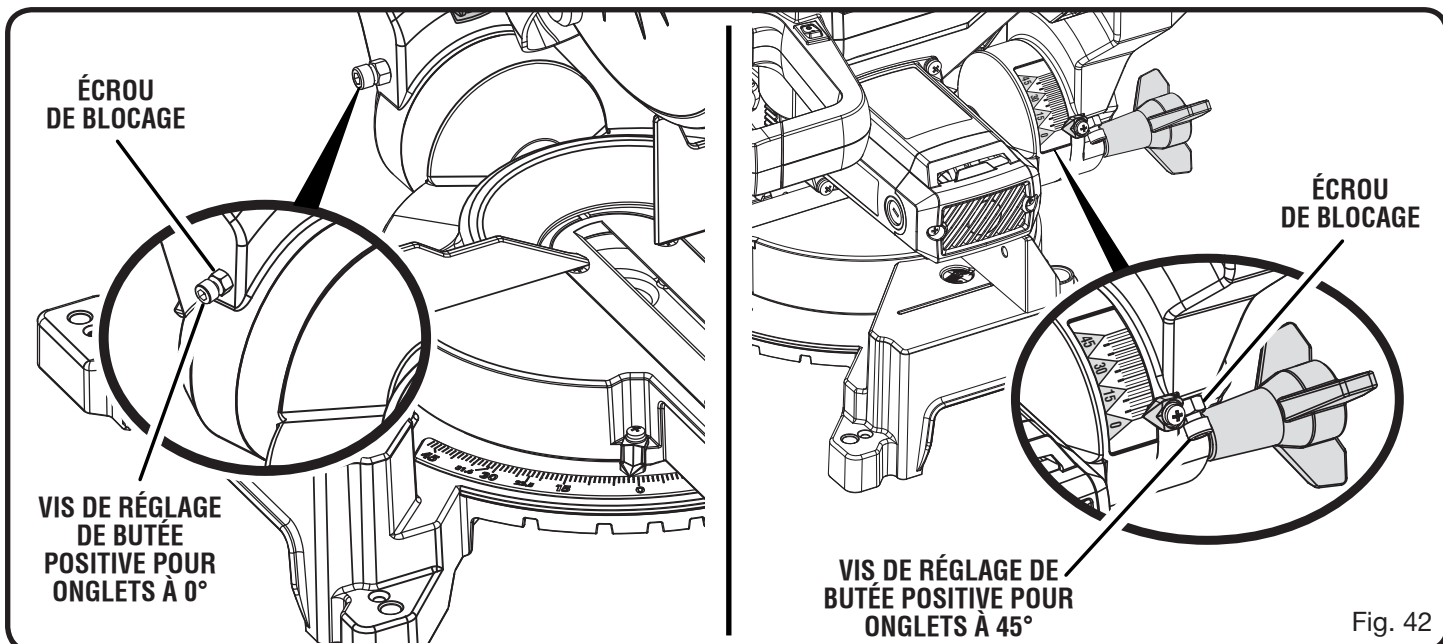


Fig. 42

ENTRETIEN

AVERTISSEMENT :

Utiliser exclusivement des pièces d'origine pour les réparations. L'usage de toute autre pièce pourrait créer une situation dangereuse ou endommager le produit.

AVERTISSEMENT :

Toujours porter une protection oculaire certifiée conforme à la norme ANSI Z87.1 lors de l'utilisation de produit. Si une opération dégage de la poussière, porter également un masque anti-poussière.

AVERTISSEMENT :

Avant d'effectuer tout réglage, s'assurer que l'outil est débranché. Le non respect de cet avertissement pourrait entraîner des blessures graves.

ENTRETIEN GÉNÉRAL

Éviter d'utiliser des solvants pour le nettoyage des pièces en plastique. La plupart des matières plastiques peuvent être endommagées par divers types de solvants du commerce. Utiliser un chiffon propre pour éliminer la saleté, la poussière, l'huile, la graisse, etc.

AVERTISSEMENT :

Ne jamais laisse de liquides tels que le fluide de freins, l'essence, les produits à base de pétrole, les huiles pénétrantes, etc., entrer en contact avec les pièces en plastique. Les produits chimiques peuvent endommager, affaiblir ou détruire le plastique, ce qui peut entraîner des blessures graves.

Les outils électriques utilisés sur la fibre de verre, le placoplâtre, les mastics de bouchage ou le plâtre s'usent plus vite et sont susceptibles de défaillance prématurée car les particules et les éclats de fibre de verre sont fortement abrasifs pour les roulements, balais, commutateurs, etc. Il est donc déconseillé d'utiliser cet outil de façon prolongée sur ces types de matériaux. Toutefois si l'outil a été utilisé sur l'un de ces matériaux, il est extrêmement important de le nettoyer à l'air comprimé.

LUBRIFICATION

Tous les roulements de cet outil sont garnis d'une quantité de graisse de haute qualité, suffisante pour la durée de vie de l'outil, dans des conditions d'utilisation normales. Aucune autre lubrification n'est donc nécessaire.

REMPACEMENT DES BALAIS

Voir la figure 43.

Le moteur de la scie est équipé de balais accessibles de l'extérieur, dont l'usure doit être vérifiée périodiquement.

Lorsque le remplacement des balais s'avère nécessaire, procéder comme suit :

- Débrancher la scie.
- Retirer le couvercle des balais à l'aide d'un tournevis. Les balais sont montés sur ressort et sont éjectés lorsque le couvercle est retiré.
- Retirer les balais.
- Regarder s'ils sont usés. Remplacer les deux balais lorsque la longueur du carbone est de 6 mm (1/4 po) ou moins. Ne pas remplacer un balai sans remplacer l'autre.
- Installer les nouveaux balais. S'assurer que la courbure des balais correspond à celle du moteur et que les balais tournent librement dans leurs tubes.
- S'assurer que le couvercle est correctement aligné (droit) et l'assujettir.
- Serrer le couvercle solidement. **Ne pas** trop serrer.

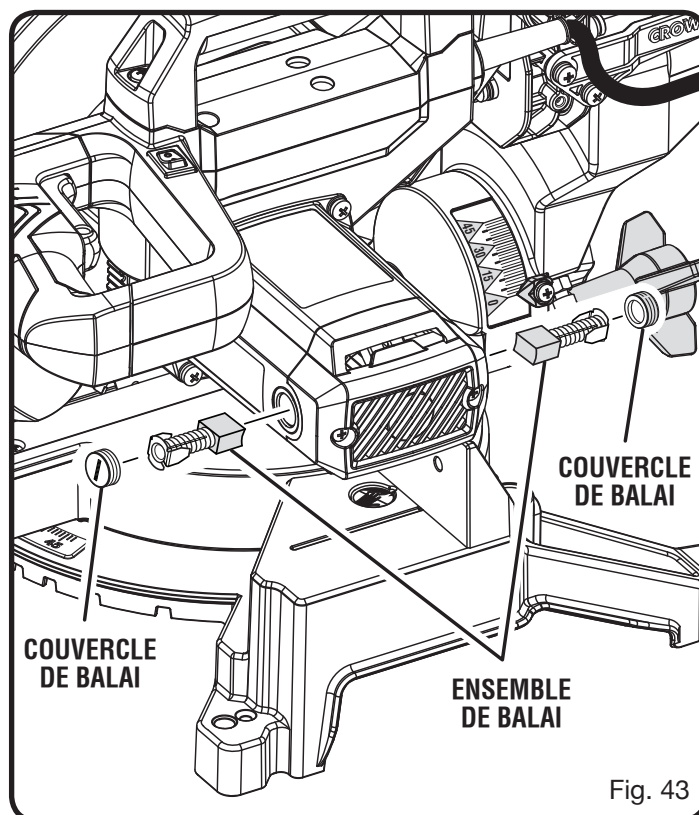


Fig. 43

REGLAS DE SEGURIDAD GENERALES



ADVERTENCIA:

Lea todas las advertencias de seguridad y todas las instrucciones. Si no sigue todas las advertencias e instrucciones, se pueden provocar una descarga eléctrica, un incendio o lesiones graves.

LEA TODAS LAS INSTRUCCIONES

- **FAMILIARÍCESE CON SU HERRAMIENTA ELÉCTRICA.** Lea cuidadosamente el manual del operador. Aprenda los usos, limitaciones y posibles peligros relacionados con esta herramienta.
- **PROTÉJASE CONTRA DESCARGAS ELÉCTRICAS EVITANDO TOCAR CON EL CUERPO SUPERFICIES CONECTADAS A TIERRA.** Por ejemplo: tubos, radiadores, estufas y cajas de refrigeradores.
- **MANTENGA LAS PROTECCIONES EN SU LUGAR** y en buenas condiciones de trabajo.
- **RETIRE TODA LLAVE Y HERRAMIENTA DE AJUSTE.** Adquiera el hábito de verificar que se haya retirado de la herramienta eléctrica toda llave y herramienta de ajuste antes de encenderla.
- **MANTENGA LIMPIA EL ÁREA DE TRABAJO.** Una mesa o área de trabajo mal despejada es causa común de accidentes. **NO** deje herramientas o piezas de madera en la herramienta mientras esté funcionando.
- **NO UTILICE LA HERRAMIENTA EN ENTORNOS PELIGROSOS.** No utilice las herramientas eléctricas en lugares húmedos o mojados ni las exponga a la lluvia. Mantenga bien iluminada el área de trabajo.
- **MANTENGA ALEJADOS A LOS NIÑOS Y DEMÁS CIRCUNSTANTES.** Todos los presentes deben llevar puestos anteojos de seguridad y permanecer a una distancia segura del área de trabajo. No permita que ninguno de los presentes toque la herramienta eléctrica o el cordón de extensión mientras esté funcionando la unidad.
- **HAGA SU TALLER A PRUEBA DE NIÑOS** con candados, interruptores maestros y retirando las llaves de arranque.
- **NO FUERCE LA HERRAMIENTA.** Efectúa el trabajo mejor y de manera más segura, si se utiliza a la velocidad de avance para la que está diseñada.
- **USE LA HERRAMIENTA ADECUADA PARA LA TAREA.** No fuerce la herramienta ni ningún accesorio a efectuar tareas para las que no están hechos.
- **USE UN CORDÓN DE EXTENSIÓN ADECUADO.** Asegúrese de que esté en buen estado el cordón de extensión. Al utilizar un cordón de extensión sólo utilice uno del calibre suficiente para soportar la corriente que consume el producto. Un cordón de un grosor insuficiente causa una caída en el voltaje de línea, y produce recalentamiento y pérdida de potencia. Se recomienda que los conductores sean de calibre **14** (A.W.G.) por lo menos, para un cordón de extensión de 7,6 metros (25 pies) de largo o menos. Si tiene dudas, utilice un cordón del calibre más grueso siguiente. Cuanto menor es el número de calibre, mayor es el grosor del cordón.
- **VÍSTASE ADECUADAMENTE.** No use ropa holgada, guantes flojos, corbata ni alhajas. Podrían engancharse y tirar de usted

hacia partes en movimiento. Si tiene el pelo largo, cúbralo para que quede recogido.

- **SIEMPRE PÓNGASE PROTECCIÓN OCULAR CON PROTECCIÓN LATERAL CON LA MARCA DE CUMPLIMIENTO DE LA NORMA ANSI Z87.1 JUNTO CON PROTECCIÓN PARA LOS OÍDOS.** La inobservancia de esta advertencia puede causar el lanzamiento de objetos a los ojos, y por consecuencia posibles lesiones serias.
- **ASEGURE LA PIEZA DE TRABAJO.** Utilice prensas de mano o de banco para sujetar la pieza de trabajo cuando resulte práctico hacerlo; es más seguro que utilizar la mano y quedan ambas manos libres para manejar la herramienta.
- **NO ESTIRE EL CUERPO PARA ALCANZAR MAYOR DISTANCIA.** Mantenga una postura firme y buen equilibrio en todo momento.
- **DÉ MANTENIMIENTO CON CUIDADO A LAS HERRAMIENTAS.** Mantenga afiladas y limpias las herramientas para obtener de las mismas un desempeño mejor y más seguro. Siga las instrucciones correspondientes al cambio y lubricación de accesorios.
- **DESCONECTE LAS HERRAMIENTAS.** Todas las herramientas deben desconectarse del suministro de corriente cuando no estén usándose, o al cambiarles aditamentos, hojas de corte, brocas, fresas, etc.
- **EVITE UN ARRANQUE ACCIDENTAL DE LA UNIDAD.** Asegúrese de que el interruptor esté en la posición de apagado antes de conectar la clavija de cualquier herramienta.
- **USE ACCESORIOS RECOMENDADOS.** Consulte este manual del operador, donde aparecen los accesorios recomendados. El empleo de accesorios inadecuados puede causar lesiones.
- **NO SE PARE NUNCA EN LA HERRAMIENTA.** Pueden producirse lesiones serias si se vuelca la herramienta o si accidentalmente se toca la hoja.
- **INSPECCIONE LAS PIEZAS DAÑADAS.** Antes de seguir utilizando la herramienta, es necesario inspeccionar cuidadosamente toda protección o pieza dañada para determinar si funcionará correctamente y desempeñará la función a la que está destinada. Verifique la alineación de las partes móviles, que no haya atoramiento de partes móviles, que no haya piezas rotas, el montaje de las piezas y cualquier otra condición que pudiera afectar su funcionamiento. Toda protección o pieza que esté dañada debe repararse apropiadamente o reemplazarse en un centro de servicio autorizado.
- **AVANCE LA PIEZA DE TRABAJO EN LA DIRECCIÓN CORRECTA.** Solamente empuje la pieza de trabajo hacia la hoja, fresa o tambor de lijado, contra el sentido de rotación de éstos.
- **NUNCA DEJE FUNCIONANDO DESATENDIDA LA HERRAMIENTA. APAGUE LA CORRIENTE.** No abandone la herramienta hasta verla completamente detenida.
- **PROTÉJASE LOS PULMONES.** Use una careta o mascarilla contra el polvo si la operación de corte genera mucho polvo.
- **PROTÉJASE EL OÍDO.** Durante períodos prolongados de utilización de la unidad póngase protección para los oídos.
- **NO MALTRATE EL CORDÓN ELÉCTRICO.** Nunca porte la herramienta sujetándola por el cordón eléctrico, ni tire del mismo para desconectarla de la toma de corriente. Mantenga

REGLAS DE SEGURIDAD GENERALES

el cordón eléctrico alejado del calor, del aceite y de los bordes afilados.

- **UTILICE CORDONES DE EXTENSIÓN PARA USO EN EL EXTERIOR.** Al utilizar la herramienta en el exterior, sólo utilice cordones de extensión con conexión a tierra aprobada apropiados para uso al aire libre y marcados para tal tipo de uso.
- **MANTENGA LAS HOJAS DE CORTE LIMPIAS Y AFILADAS.** Las hojas de corte afiladas reducen al mínimo los paros y los contragolpes.
- **LA HOJA DE CORTE CONTINÚA GIRANDO POR INERCIA DESPUÉS DE APAGARSE LA UNIDAD.**
- **NUNCA UTILICE LA UNIDAD EN UNA ATMÓSFERA EXPLOSIVA.** El chispeo normal del motor podría encender los gases presentes.
- **INSPECCIONE PERIÓDICAMENTE LOS CORDONES ELÉCTRICOS DE LAS HERRAMIENTAS.** Si están dañados, llévelos a un establecimiento de servicio autorizado para que los revise un técnico de servicio calificado. Repare o reemplace de inmediato todo cordón dañado o gastado. Siempre esté consciente de la ubicación del cordón y manténgalo bien alejado de la hoja en movimiento de giro.
- **INSPECCIONE PERIÓDICAMENTE LOS CORDONES DE EXTENSIÓN** y reemplácelos si están dañados.
- **CLAVIJAS POLARIZADAS.** Las herramientas con aislamiento doble están equipadas de una clavija polarizada (una patilla es más ancha que la otra). Esta clavija encaja de una sola forma en una toma de corriente polarizada. Si la clavija no encaja completamente en la toma de corriente, invierta la clavija. Si aún así no encaja, comuníquese con un electricista calificado para que instale una toma de corriente adecuada. No modifique la clavija de ninguna manera.
- **MANTENGA LA HERRAMIENTA SECA, LIMPIA Y LIBRE DE ACEITE Y GRASA.** Siempre utilice un paño limpio para la limpieza de la unidad. Nunca utilice fluidos para frenos, gasolina, productos a base de petróleo ni solventes para limpiar la herramienta.
- **PERMANEZCA ALERTA Y EN CONTROL.** Preste atención a lo que esté haciendo y aplique el sentido común. No utilice la herramienta cuando esté cansado. No se apresure.
- **NO UTILICE LA HERRAMIENTA SI EL INTERRUPTOR NO ENCIENDE O NO APAGA.** Lleve todo interruptor defectuoso a un centro de servicio autorizado para que lo reparen.
- **SÓLO UTILICE HOJAS DE CORTE ADECUADAS.** No use hojas con orificio de un tamaño incorrecto. Nunca utilice arandelas ni pernos de la hoja de corte dañados o inadecuados. La sierra tiene capacidad para hojas hasta de un diámetro de 7-1/4 pulg.
- **ANTES DE EFECTUAR UN CORTE VERIFIQUE QUE ESTÉN BIEN ASEGURADOS TODOS LOS DISPOSITIVOS DE AJUSTE.**
- **ASEGÚRESE DE QUE NO HAYA CLAVOS EN LA TRAYECTORIA DE LA HOJA.** Inspeccione la madera y elimine todos los clavos presentes en la misma antes de empezar a cortar.
- **NUNCA TOQUE LA HOJA** ni ninguna otra pieza en movimiento durante el funcionamiento de la unidad.
- **NUNCA ARRANQUE LA HERRAMIENTA CUANDO LA PIEZA GIRATORIA CORRESPONDIENTE ESTÉ TOCANDO LA PIEZA DE TRABAJO.**
- **NO UTILICE NINGUNA HERRAMIENTA SI SE ENCUENTRA BAJO LOS EFECTOS DE DROGAS, ALCOHOL O MEDICAMENTOS.**
- **AL DAR SERVICIO** a la unidad, sólo utilice piezas de repuesto idénticas. El empleo de piezas diferentes puede causar un peligro o dañar el producto.
- **SOLAMENTE UTILICE ACCESORIOS** señalados en este manual o en los apéndices. El uso de accesorios no señalados en este manual puede presentar riesgos de lesiones corporales. Con los accesorios se incluyen instrucciones para el uso seguro de los mismos.
- **REVISE DOS VECES TODA CONFIGURACIÓN DE LA HERRAMIENTA.** Asegúrese de que la hoja esté apretada y de que no toque la sierra o la pieza de trabajo antes de conectar la unidad al suministro de corriente.

REGLAS DE SEGURIDAD ESPECÍFICAS

- **SUJETE FIRMEMENTE CON PRENSAS DE MANO O PERNOS** la herramienta en una mesa o banco de trabajo aproximadamente a la altura de la cadera.
- **MANTENGA LAS MANOS ALEJADAS DEL ÁREA DE CORTE.** No trate de alcanzar bajo la pieza de trabajo o en la trayectoria de corte de la hoja con las manos y dedos por ninguna razón. Siempre apague la corriente.
- **SIEMPRE APOYE LAS PIEZAS DE TRABAJO LARGAS** mientras corta para reducir al mínimo el riesgo de un pellizcamiento de la hoja de corte y de un contragolpe. La sierra puede resbalarse, caminar o deslizarse al cortar tablas largas o pesadas.
- **SIEMPRE UTILICE LA PRENSA** para asegurar la pieza de trabajo cuando sea posible.
- **ASEGÚRESE DE QUE LA HOJA TRASPASE LA PIEZA DE TRABAJO.** Nunca arranque la sierra con la hoja tocando la pieza de trabajo. Permita que el motor se detenga completamente antes de iniciar el corte.
- **ASEGÚRESE DE QUE LA MESA DE INGLETES Y EL BRAZO DE LA SIERRA (FUNCIÓN DE BISEL) ESTÉN EN POSICIÓN ASEGURADA ANTES DE PONER EN FUNCIONAMIENTO SU SIERRA.** Fije la mesa de ingletes ajustando en forma segura el mango de fijación de ingletes. Asegure el brazo de la sierra (función de bisel) ajustando en forma segura la perilla de bloqueo de bisel.
- **NUNCA UTILICE UN TOPE DE LONGITUD EN EL EXTREMO DE DESPERDICIOS SUELTOS DE UNA PIEZA DE TRABAJO SUJETA CON PRENSA.** NUNCA sujete o doble el extremo de




REGLAS DE SEGURIDAD ESPECÍFICAS

desperdicio de una pieza de trabajo en cualquier operación. Si se utilizan juntos una prensa para pieza de trabajo y un tope de longitud, ambos deben estar instalados en el mismo lado de la mesa de la sierra para evitar que la sierra coja el extremo suelto y dé un contragolpe hacia arriba.







- **NUNCA** corte más de una pieza a la vez. **NO APILE** más de una pieza de trabajo sobre la mesa de la sierra a la vez.
- **NUNCA EFECTÚE A PULSO NINGUNA OPERACIÓN.** Siempre coloque la pieza de trabajo por cortar en la mesa de ingletes y acomódelo firmemente contra la guía como tope trasero. Siempre use la guía.
- **NUNCA** sujete con la mano una pieza de trabajo que sea demasiado pequeña para ser sujeta con prensa. Mantenga las manos alejadas del área del corte.
- **NUNCA** alcance por detrás, por abajo o a menos de 76 mm (3 pulg.) de la hoja y de su trayectoria de corte con las manos o con los dedos, por ninguna razón.
- **NUNCA** trate de estirarse para levantar una pieza de trabajo, un trozo de desecho o cualquier cosa que esté en el trayecto de corte de la hoja, o cerca del mismo.
- **NUNCA** mueva el ajuste de la pieza de trabajo ni marca a algún ángulo cortante mientras el vio corre y la hoja gira. Cualquier tropiezo puede tener como resultado el contacto con la hoja que causa lesiones serias.
- **EVITE OPERACIONES Y POSICIONES EXTRAÑAS DE LAS MANOS** en las cuales un deslizamiento rápido pudiera causar que la mano tocara la hoja. **SIEMPRE** asegúrese de estar en una postura equilibrada. **NUNCA** utilice la sierra ingleteadora en el piso o estando en cuclillas.
- **NUNCA** se pare ni tenga ninguna parte del cuerpo en línea con la trayectoria de la hoja de la sierra.
- **SIEMPRE** suelte el interruptor de corriente y permita que se cese de girar la hoja de la sierra antes de levantarla de la pieza de trabajo.
- **NO ENCIENDA Y APAGUE CON RAPIDEZ EL INTERRUPTOR.** Esto podría causar el aflojamiento de la hoja de la sierra y el consiguiente peligro. Si esto llegara a ocurrir, aléjese y permita que se detenga completamente la hoja de la sierra. Desconecte la sierra del suministro de corriente y vuelva a apretar firmemente el perno de la hoja.
- **SI CUALQUIER PIEZA DE ESTA SIERRA INGLETEADORA ESTÁ FALTANTE**, rota, doblada o funciona mal de cualquier forma, o si cualquier componente eléctrico de la misma no funciona debidamente, apague el interruptor de corriente, retire la clavija del suministro de corriente y llame a un técnico para que reemplace toda pieza dañada, faltante o defectuosa antes de reanudar el trabajo.
- **¡SIEMPRE PERMANEZCA ALERTA!** No permita que su familiaridad con la máquina (proveniente del uso frecuente de la sierra) sea causa de un error de descuido. **SIEMPRE TENGA PRESENTE** que un descuido de un instante es suficiente para causar una lesión grave.
- **SI ESTÁ DAÑADO EL CORDÓN DE CORRIENTE**, debe ser reemplazado únicamente por el fabricante o en un centro de servicio autorizado para evitar riesgos.
- **ASEGÚRESE DE QUE EL ÁREA DE TRABAJO CUENTE CON SUFICIENTE ILUMINACIÓN** para ver la pieza de trabajo y de que ninguna obstrucción interfiera en la seguridad de la operación **ANTES** de efectuar cualquier trabajo en la sierra.
- **SIEMPRE APAGUE LA SIERRA** antes de desconectarla para evitar un arranque accidental de la misma al volver a conectarla al suministro de corriente. **NUNCA** deje desatendida la sierra mientras esté conectada a un suministro de corriente.
- **SUELTE EL GATILLO DEL INTERRUPTOR** y espere a que se detenga completamente la hoja de corte antes de proceder a mover la pieza de trabajo.
- **ESTA HERRAMIENTA** tendrá los siguientes avisos:
 - a) Póngase protección ocular.
 - b) Mantenga las manos fuera de la trayectoria de la hoja de corte.
 - c) No utilice la sierra sin las protecciones montadas en su lugar.
 - d) No efectúe a pulso ninguna operación.
 - e) Nunca intente alcanzar nada alrededor de la hoja de corte.
 - f) Apague la herramienta y espere a que se detenga la hoja de corte de la sierra antes de mover la pieza de trabajo o de cambiar los ajustes.
 - g) Desconecte la corriente (o desenchufe la herramienta, según corresponda) antes de cambiar la hoja de corte o de dar servicio a la unidad.
 - h) Velocidad en vacío.
- **SIEMPRE CERCIORESE EL VIO HOJA TIENE EL ESPACIO LIBRE DE TODAS OBSTRUCCIONES ANTES GIRAR EL VIO EN.**
- **EFECTÚE CORTES DESLIZANTES** presionando la hoja de la sierra hacia abajo sobre el material de trabajo, y seguidamente deslizándola hacia la parte trasera de la sierra. **NO** tire de la sierra hacia usted mientras realiza el corte.
- **SIEMPRE** porte la herramienta por el mango de acarreo.
- **ESTA SIERRA SIRVE SOLAMENTE PARA CORTAR MADERA, PRODUCTOS DE TAL MATERIAL Y ALGUNOS PLÁSTICOS. NO CORTE ARTÍCULOS DE METAL, CERÁMICA O MAMPOSTERÍA.**
- **ESTA SIERRA PUEDE VOLCARSE** si se suelta súbitamente la cabeza de la misma y la sierra no está asegurada a una superficie de trabajo. **SIEMPRE** asegure esta sierra a una superficie de trabajo estable antes de usarla para evitar lesiones serias.
- **GUARDE ESTAS INSTRUCCIONES.** Consúltelas con frecuencia y empléelas para instruir a otros usuarios. Si presta a alguien esta herramienta, facilítele también las instrucciones.

SÍMBOLOS

Las siguientes palabras de señalización y sus significados tienen el objeto de explicar los niveles de riesgo relacionados con este producto.

| SÍMBOLO | SEÑAL | SIGNIFICADO |
|---|---------------------|---|
|  | PELIGRO: | Indica una situación peligrosa, la cual, si no se evita, causará la muerte o lesiones serias. |
|  | ADVERTENCIA: | Indica una situación posible, la cual, si no se evita, podría causar la muerte o lesiones serias. |
|  | PRECAUCIÓN: | Indica una situación posible, la cual, si no se evita, podría causar lesiones menores o leves. |
| | AVISO: | (Sin el símbolo de alerta de seguridad) Indica la información que se considera importante, pero no relacionada con lesiones potenciales (por ej. en relación a daños a la propiedad). |

Es posible que se empleen en esta herramienta algunos de los siguientes símbolos. Le suplicamos estudiarlos y aprender su significado. Una correcta interpretación de estos símbolos le permitirá utilizar mejor y de manera más segura la herramienta.

| SÍMBOLO | NOMBRE | DENOMINACIÓN/EXPLICACIÓN |
|---|---------------------------------|---|
|  | Alerta de seguridad | Indica un peligro posible de lesiones personales. |
|  | Lea el manual del operador | Para reducir el riesgo de lesiones, el usuario debe leer y comprender el manual del operador antes de usar este producto. |
|  | Protección ocular | Siempre póngase protección ocular con protección lateral con la marca de cumplimiento de la norma ANSI Z87.1. |
|  | Símbolo de no acercar las manos | Si no mantiene las manos alejadas de la hoja de corte, se causará serias lesiones corporales. |
|  | Alerta de condiciones húmedas | No exponga la unidad a la lluvia ni la use en lugares húmedos. |
| V | Volts | Voltaje |
| A | Amperes | Corriente |
| Hz | Hertz | Frecuencia (ciclos por segundo) |
| min | Minutos | Tiempo |
| ~ | Corriente alterna | Tipo de corriente |
| n ₀ | Velocidad en vacío | Velocidad de rotación, en vacío |
|  | Fabricación Clase II | Fabricación con doble aislamiento |
| .../min | Por minuto | Revoluciones, carreras, velocidad superficial, órbitas, etc., por minuto |

ASPECTOS ELÉCTRICOS

DOBLE AISLAMIENTO

El doble aislamiento es una característica de seguridad de las herramientas eléctricas, la cual elimina la necesidad de usar el típico cordón eléctrico de tres conductores con conexión a tierra. Todas las partes metálicas expuestas están aisladas de los componentes metálicos internos del motor por medio de aislamiento de protección. No es necesario conectar a tierra las herramientas con doble aislamiento.



ADVERTENCIA:

El sistema de doble aislamiento está destinado para proteger al usuario contra las descargas eléctricas resultantes de la ruptura del cableado interno de la herramienta. Observe todas las precauciones de seguridad para evitar descargas eléctricas.

NOTA: El mantenimiento de una herramienta con doble aislamiento requiere sumo cuidado y conocimiento del sistema, y únicamente deben realizarlo técnicos de servicio calificados. Para el servicio de la herramienta, le sugerimos llevarla al centro de servicio autorizado más cercano para toda reparación. Siempre utilice piezas de repuesto de la fábrica original al dar servicio a la unidad.

CONEXIÓN ELÉCTRICA

Esta herramienta dispone de un motor eléctrico fabricado con precisión. Debe conectarse únicamente a **un suministro de voltaje de 120 V, corriente alterna solamente (corriente normal para uso doméstico), 60 Hz.** No utilice esta herramienta con corriente continua (c.c.). Una caída considerable de voltaje causa una pérdida de potencia y el recalentamiento del motor. Si la herramienta no funciona al conectarla en una toma de corriente, vuelva a verificar el suministro de voltaje.

CORDONES DE EXTENSIÓN

Al utilizar una herramienta eléctrica a una distancia considerable de la fuente de voltaje, asegúrese de utilizar un cordón de extensión con la suficiente capacidad para soportar la corriente de consumo de la herramienta. Un cordón de un calibre insuficiente causa una caída en el voltaje de

línea, la cual a su vez produce recalentamiento y pérdida de potencia. Basese en la tabla suministrada para determinar el grueso mínimo requerido del cordón de extensión. Solamente deben utilizarse cordones con forro redondo registrados en Underwriter's Laboratories (UL).

Al trabajar a la intemperie con una herramienta, utilice un cordón de extensión fabricado para uso en el exterior. Este tipo de cordón lleva las letras "WA" o "W" en el forro.

Antes de utilizar un cordón de extensión, inspecciónelo para ver si tiene conductores flojos o expuestos y aislamiento cortado o gastado.

**Amperaje (aparece en la placa de datos de la herramienta)

0-2,0 2,1-3,4 3,5-5,0 5,1-7,0 7,1-12,0 12,1-16,0

| Longitud del cordón | Calibre conductores (A.W.G.) | | | | | |
|---------------------|------------------------------|----|----|----|----|----|
| | 16 | 16 | 16 | 14 | 14 | 12 |
| 25' | 16 | 16 | 16 | 14 | 14 | 12 |
| 50' | 16 | 16 | 14 | 12 | 10 | — |
| 100' | 16 | 16 | 14 | 12 | 10 | — |

**Used on 12 gauge - 20 amp circuit.

NOTE: AWG = American Wire Gauge



ADVERTENCIA:

Mantenga el cordón de extensión fuera del área de trabajo. Al trabajar con una herramienta eléctrica, coloque el cordón de tal manera que no pueda enredarse en la madera, herramientas ni en otras obstrucciones. La inobservancia de esta advertencia puede causar lesiones serias.



ADVERTENCIA:

Inspeccione los cordones de extensión cada vez antes de usarlos. Si están dañados reemplácelos de inmediato. Nunca utilice la herramienta con un cordón dañado, ya que si toca la parte dañada puede producirse una descarga eléctrica, y las consecuentes lesiones serias.

GLOSARIO DE TÉRMINOS

Trinquetes anticontraGolpe (sierras radiales y de mesa)

Es un dispositivo, el cual, cuando se instala y da mantenimiento correctamente, sirve para detener la pieza de trabajo para no ser lanzada hacia atrás, hacia la parte frontal la sierra durante una operación de corte al hilo.

Árbol

Es el eje donde se monta una hoja o herramienta de corte.

Corte en bisel

Es una operación de corte efectuada con la hoja a un ángulo diferente de 90° con respecto a la superficie de la mesa.

Chaflán

Es un corte efectuado para eliminar una cuña de un bloque de manera que el extremo (o una parte del mismo) quede a un ángulo diferente de 90°.

Corte combinado

Es un corte transversal efectuado a inglete y a bisel.

Corte transversal

Es una operación de corte o fresado efectuada a través de la fibra o ancho de la pieza de trabajo.

Cabeza de corte (cepillos normales y de juntas)

Es una cabeza de corte giratoria con hojas o cuchillas ajustables. Las hojas o cuchillas eliminan material de la pieza de trabajo.

Corte de ranura (sierras de mesa y sierras ingleteadoras deslizantes combinadas)

Un corte no pasante que produce una muesca cuadrada, de tres lados o en V en la pieza de trabajo.

Peine de sujeción (sierras de mesa)

Es un dispositivo empleado como ayuda para controlar la pieza de trabajo guiándola con seguridad contra la mesa o la guía durante las operaciones de corte al hilo.

PPM o CPM

Pies por minuto (o carreras por minuto), se emplea refiriéndose al movimiento de la hoja.

A pulso

Es efectuar un corte sin guiar la pieza de trabajo con ninguna guía, guía de ingletes ni ningún otro medio.

Goma

Es el residuo pegajoso de savia presente en la madera.

Talón

Es la alineación de la hoja con respecto a la guía de corte al hilo.

Corte

Es la cantidad de material eliminado por la hoja en un corte completo con traspaso, o en una ranura producida por la hoja en un corte sin traspaso o parcial.

ContraGolpe

Es un peligro que puede ocurrir cuando la hoja se atora o se atasca, y lanza la pieza de trabajo hacia atrás, en la dirección de la hoja giratoria.

Corte a inglete

Es una operación de corte efectuada con la pieza de trabajo a un ángulo diferente de 90° con respecto a la hoja.

Cortes sin traspaso (sierras de mesa y sierras ingleteadoras deslizantes combinadas)

Es cualquier operación de corte en la cual la hoja de corte no traspasa completamente el espesor de la pieza de trabajo. Este

es un corte en el cual la hoja no corta la pieza de trabajo en dos pedazos.

Agujero guía (taladradoras de columna y sierras caladoras)

Es un agujero pequeño taladrado en una pieza de trabajo, el cual sirve como guía para taladrar con precisión agujeros más grandes o para la colocación de la hoja de la sierra caladora.

Bloques empujadores (para cepillos de juntas)

Son dispositivos empleados para avanzar la pieza de trabajo por el cepillo de juntas durante cualquier operación. Este medio ayuda al operador a mantener las manos alejadas de la cabeza de corte.

Bloques y palos empujadores (para sierras de mesa)

Son dispositivos empleados para avanzar la pieza de trabajo a través de la sierra durante operaciones de corte. Para las operaciones de cortes al hilo angostos debe emplearse un palo empujador (no un bloque empujador). Estos medios ayudan al operador a mantener las manos alejadas de la hoja de corte.

Rebaje

Un corte no pasante ubicado en el extremo o borde de la pieza de trabajo que produce una muesca cuadrada, de dos lados o en V en la pieza de trabajo.

Reaserrado (sierras de mesa y sierras de banda)

Es una operación de corte efectuada para reducir el espesor de la pieza de trabajo para hacer piezas más delgadas.

Resina

Es la sustancia pegajosa a base de savia que se endurece.

Revoluciones por minuto (RPM)

Es el número de vueltas realizadas por un objeto en movimiento de giro en un minuto.

Corte longitudinal o al hilo (sierras de mesa)

Es una operación de corte paralela al largo de la pieza de trabajo y generalmente en la dirección del grano.

Cuchilla separadora/Abridor/Separador (sierras de mesa)

Es una pieza metálica, levemente más delgada que la hoja, la cual se emplea para mantener abierto el corte y también ayuda a evitar un contraGolpe.

Trayectoria de la hoja de la sierra

Es el área encima, abajo, detrás o delante de la hoja. En relación con la pieza de trabajo, es el área que será o ha sido cortada por la hoja.

Redondeo de aristas (cepillos)

Es una depresión hecha en cualquiera de los dos extremos de una pieza de trabajo por las cuchillas de corte cuando no se proporciona un apoyo adecuado a la pieza de trabajo.

Cónico Corte

Un corte donde el material para ser corte tiene una anchura diferente al principio del corte del fin.

Aserrado con traspaso

Es cualquier operación de corte en la cual la hoja de corte traspasa completamente el espesor de la pieza de trabajo. Este tipo de corte separa la pieza de trabajo simple en dos pedazos.

Pieza de trabajo o material

Es la pieza a la que se efectúa la operación.

Mesa

Es la superficie sobre la cual descansa la pieza de trabajo mientras se le efectúa una operación de corte, taladrado, cepillado o lijado.

CARACTERÍSTICAS

ESPECIFICACIONES DEL PRODUCTO

Orificio del eje.....16 mm (5/8 pulg.)
 Diámetro de la hoja 184 mm (7-1/4 pulg.)
 Velocidad en vacío5,350 r/min (RPM)
 Corriente de entrada 120 V, sólo corr. alt., 60 Hz, 10 A
 Capacidad de corte con inglete a 0°/bisel a 0°:
 Tamaños de madera nominales
 máximos: 38 mm x 234,9 mm (1-1/2 pulg. x 9-1/4 pulg.)

Capacidad de corte con inglete a 45°/bisel a 0°:
 Tamaños de madera nominales
 máximos:38 mm x 152,4 mm (1-1/2 pulg. x 6 pulg.)
 Capacidad de corte con inglete a 0°/bisel a 45°:
 Tamaños de madera nominales
 máximos: 38 mm x 234,9 mm (1-1/2 pulg. x 9-1/4 pulg.)
 Capacidad de corte con inglete a 45°/bisel a 45°:
 Tamaños de madera nominales
 máximos:38 mm x 152,4 mm (1-1/2 pulg. x 6 pulg.)

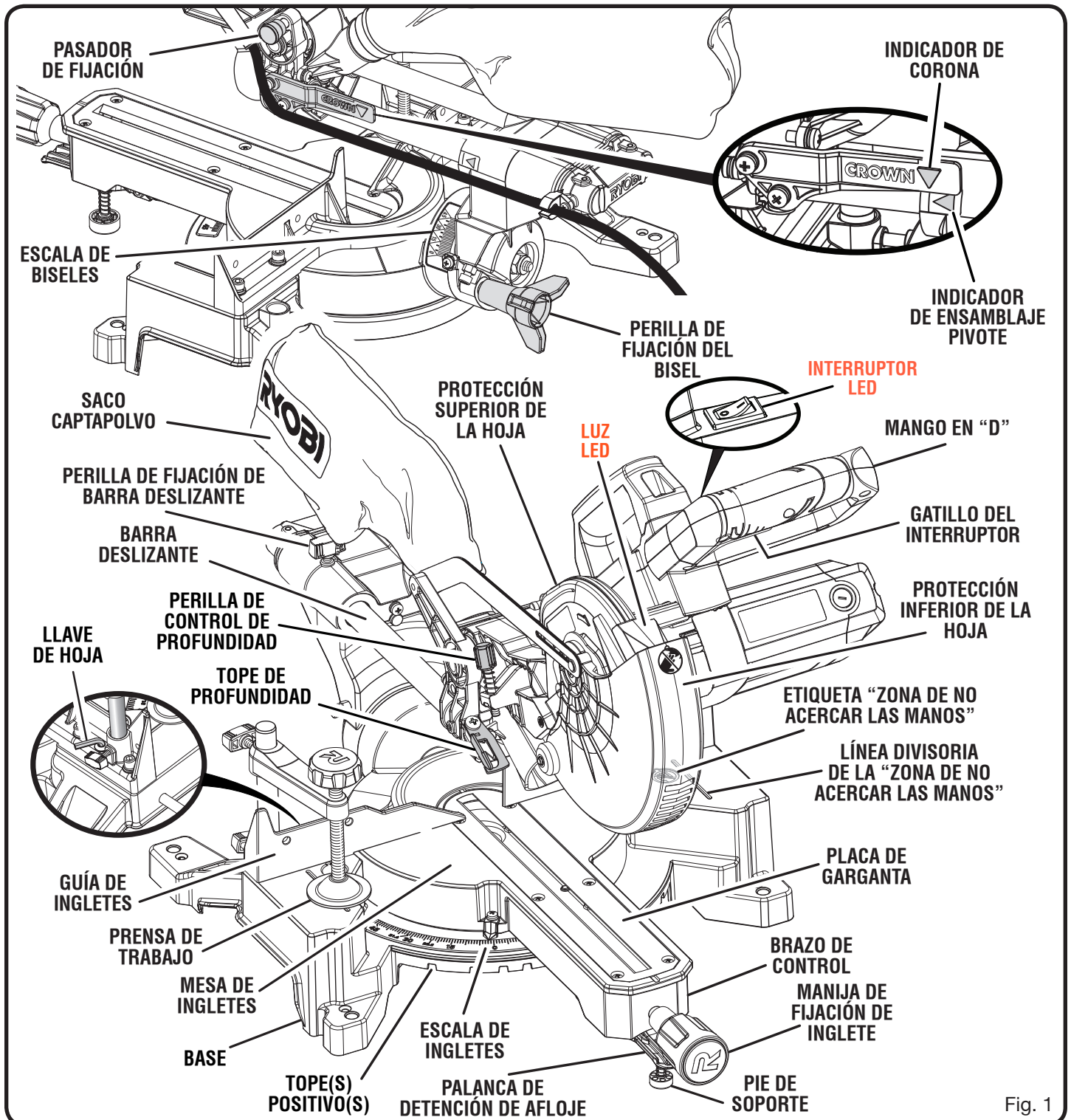


Fig. 1

CARACTERÍSTICAS

FAMILIARÍCESE CON LA SIERRA INGLETEADORA COMPUESTA

Vea la figura 1.

El uso seguro que este producto requiere la comprensión de la información impresa en la herramienta y en el manual del operador así como ciertos conocimientos sobre el proyecto a realizar. Antes de usar este producto, familiarícese con todas las características de funcionamiento y normas de seguridad.

HOJA DE 184 mm (7-1/4 pulg.)

Con la sierra ingleteadora combinada se incluye una hoja de corte de 7-1/4 pulg. Cortará materiales nominales de hasta 50,80 mm de espesor x 254,00 mm de ancho (2 pulg. X 10 pulg.), según el ángulo de corte.

LUGAR DE GUARDAR LA LLAVE DE LA HOJA

Vea la figura 1.

La sierra incluye una llave para la hoja. Un extremo de la llave es un destornillador Phillips y el otro una llave hexagonal. La llave hexagonal sirve para montar o desmontar la hoja de corte y el extremo de destornillador Phillips sirve para retirar o aflojar tornillos. Hay un lugar para guardar la llave de la hoja situado en la base de la sierra.

PERILLA DE FIJACIÓN DE BISEL

La perilla de seguridad del bisel asegura su sierra ingleteadora combinada en los ángulos de bisel deseados. Hay un tornillo de ajuste de tope en cada lado del brazo de la sierra. Estos tornillos de ajuste son para efectuar ajustes finos a 0° y a 45°.

MANGO DE ACARREO

Vea la figura 2.

Para facilitar el transporte de la sierra ingleteadora desde un lugar a otro, se proporciona un mango de transporte en la parte superior del brazo de la sierra. Para transportarla, apague y desconecte la sierra, luego baje el brazo de la sierra y fíjelo en la posición inferior presionando el pasador de seguro hacia el alojamiento de la sierra.

NOTA: NO realice ninguna operación de corte con la sierra en la posición de fijación.

INDICADOR DE CORONA

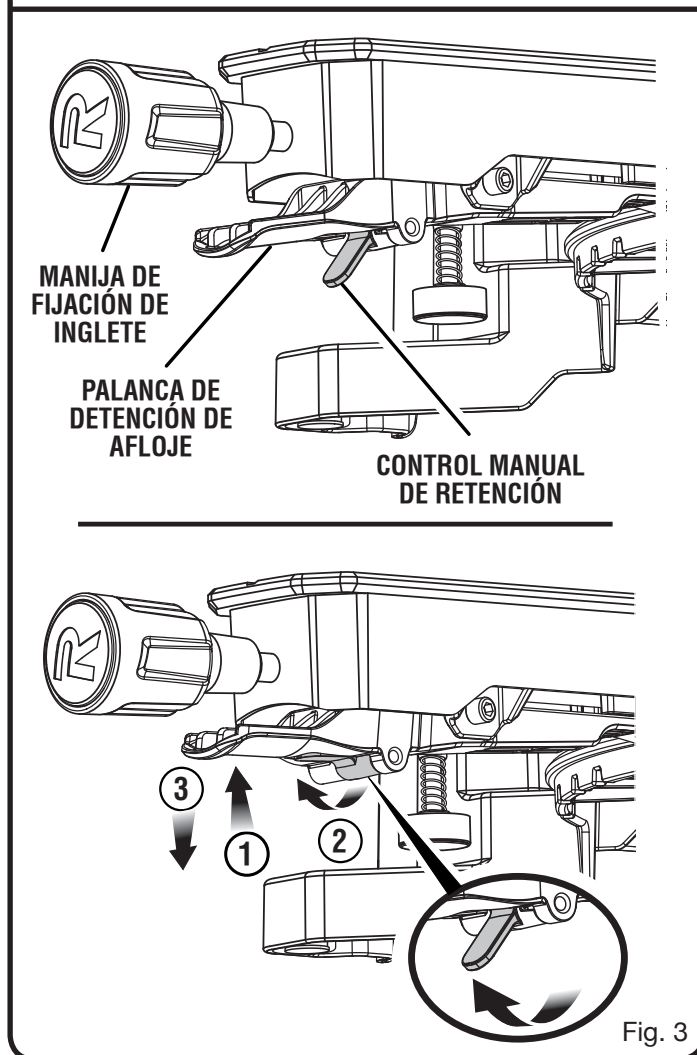
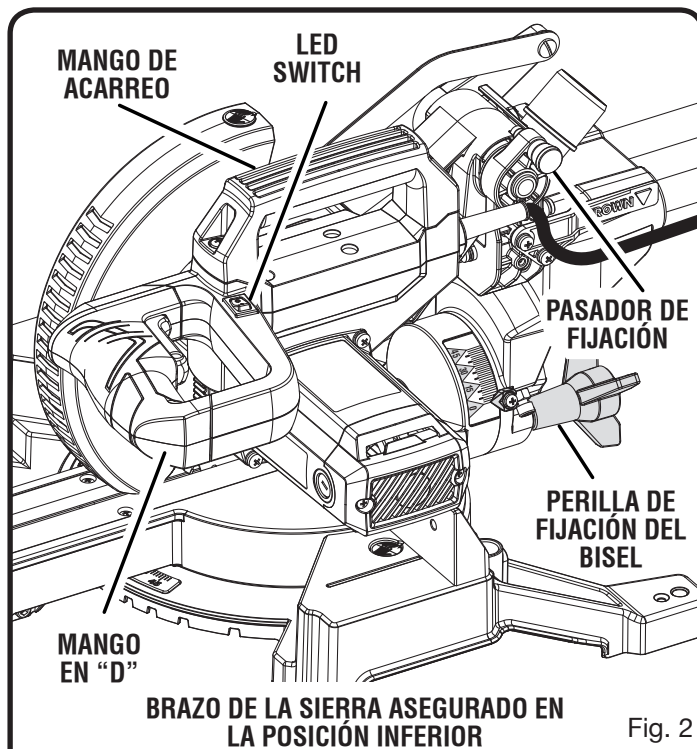
Vea la figura 1.

Para cortar moldura de corona apoyada sobre la guía auxiliar en posición vertical, alinee la flecha del indicador de corona con la flecha del ensamblaje pivote y, luego, ajuste la perilla de fijación deslizante con firmeza.

CONTROL MANUAL DE RETENCIÓN

Vea la figura 3.

El control manual de retención permite que la mesa de ingletes se mueva libremente hacia cualquier ángulo deseado. Con el mango de fijación de ingletes aflojado y la palanca de detención de afloje apretada (1), tire del control manual de retención hacia arriba (2) y suelte la palanca de detención de afloje (3) para atravesar los toques firmes de la escala de ingletes. Para liberar el control manual de retención y permitir



CARACTERÍSTICAS

que la mesa de ingletes se enganche en los topes firmes, apriete y suelte la palanca de detención de afloje.

FRENO ELÉCTRICO

Hay un freno eléctrico para detener rápidamente el giro de la hoja después de soltarse el gatillo del interruptor.

SISTEMA DE ILUMINACIÓN LED

El LED proyecta una sombra del diente de la hoja en la pieza de trabajo para realizar cortes de precisión y predice el corte de la hoja para la línea de corte.

GUÍA DE INGLETES

La guía de ingletes de la sierra ingleteadora combinada se suministra para apoyar firmemente la pieza de trabajo al efectuar todo tipo de cortes. El lado derecho es más largo para ofrecer mayor soporte.

MANIJA DE FIJACIÓN DE INGLETE

Vea la figura 3.

La manija de fijación de inglete asegura firmemente la sierra en los ángulos de inglete deseados. Ajuste el mango para fijar la sierra en su lugar. Para liberar la sierra, afloje el mango y apriete la palanca de detención de afloje.

ESCALA DE INGLETES

La escala de ingletes puede configurarse de 0° a 47° (tanto a la izquierda como a la derecha) para lograr varios tipos de cortes.

TOPES DE LA MESA DE INGLETES

Hay topes a 0°, 15°, 22,5°, 31,6°, y 45° a ambos lados, izquierdo y derecho, de la mesa de ingletes.

NOTA: Para atravesar los topes firmes, apriete la palanca de detención de afloje y levante el control manual de retención. Para liberar el control manual, apriete la palanca de detención de afloje.

PROTECCIÓN INFERIOR RETRÁCTIL DE LA HOJA

La protección inferior de la hoja está hecha de plástico transparente resistente a impactos que proporciona protección a cada lado de la hoja. Se retrae por encima de la protección superior a medida que se baja la hoja hacia la pieza de trabajo.

BARRA DESLIZANTE

Cuando está destrabado, el brazo de la sierra se desliza hacia delante y hacia atrás a lo largo de las guías telescópicas para hacer cortes de diferente ancho.

PERILLA DE FIJACIÓN DE LA CORREDERA

La perilla de fijación de la corredera traba y destraba la función de deslizamiento de esta herramienta.

BOTÓN DEL SEGURO DEL HUSILLO

Vea la figura 4.

El botón del seguro del husillo sirve para asegurar el husillo y impedir el giro de la hoja. Oprima y no suelte el botón del seguro del husillo mientras instala, cambia o desmonta la hoja.

GATILLO DEL INTERRUPTOR

Vea la figura 4.

Para evitar el uso no autorizado de la sierra ingleteadora combinada, desconéctela del suministro de corriente y asegure el interruptor en la posición de apagado. Para asegurar el interruptor, coloque un candado (no viene incluido) a través del agujero del gatillo del interruptor y asegúrese de que el interruptor no pueda ser accionado. Si el interruptor puede ser accionado aun habiendo instalado el candado, se debe usar un candado con un diámetro de grillete mayor. Guarde la llave del candado en otro lugar.

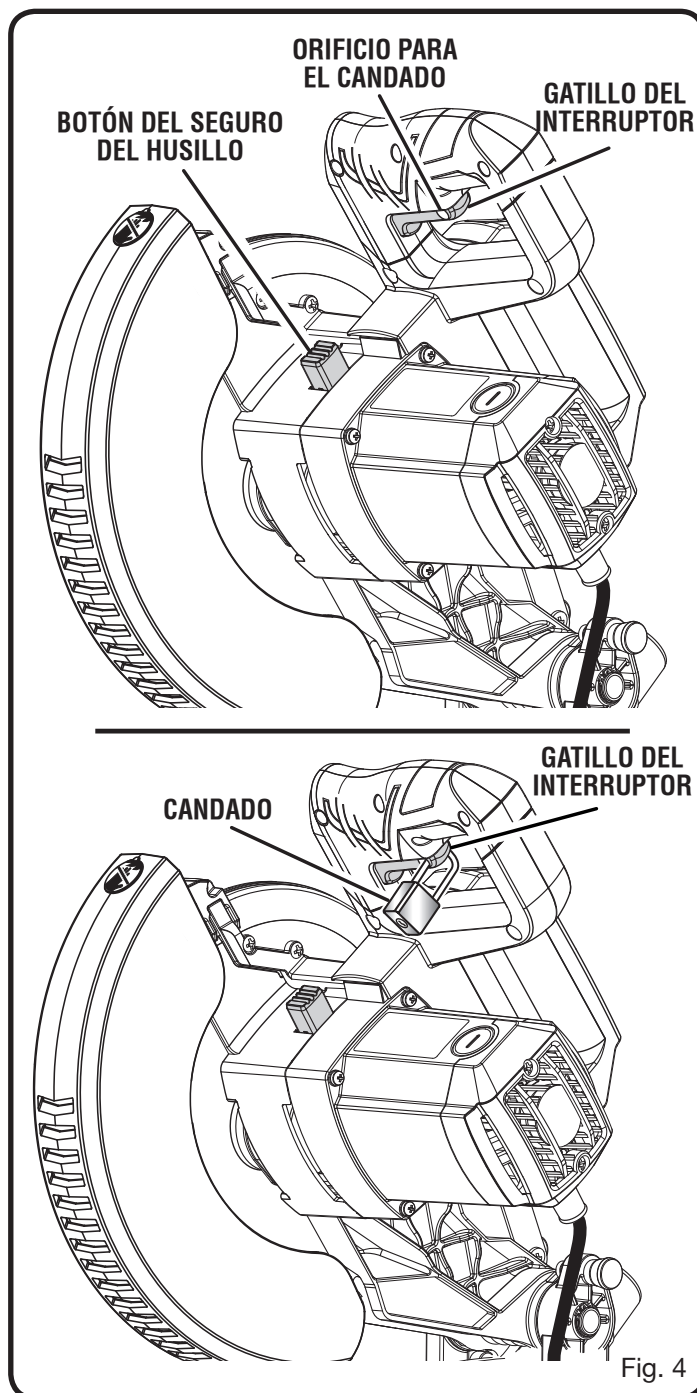


Fig. 4

HERRAMIENTAS NECESARIAS

Se necesitan las siguientes herramientas (no vienen incluidas) para efectuar ajustes o instalar la hoja:

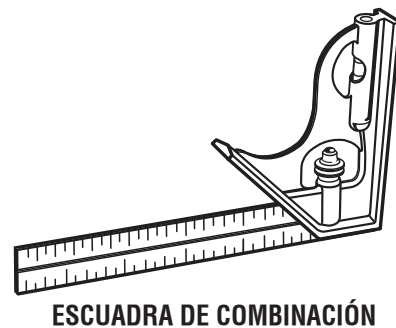
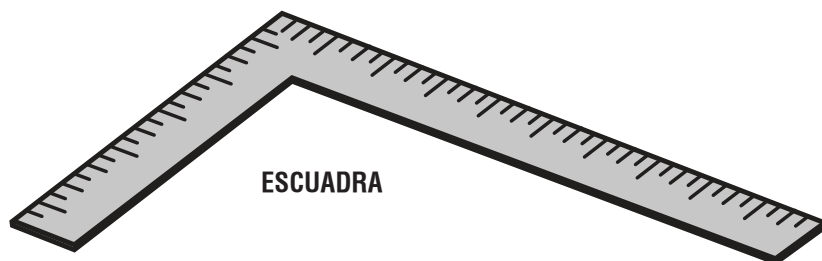


Fig. 5

LISTA DE PIEZAS SUeltas

Vienen incluidos los siguientes artículos con la herramienta:

- Saco captapolvo
- Llave de hoja
- Prensa de trabajo
- Manual del operador

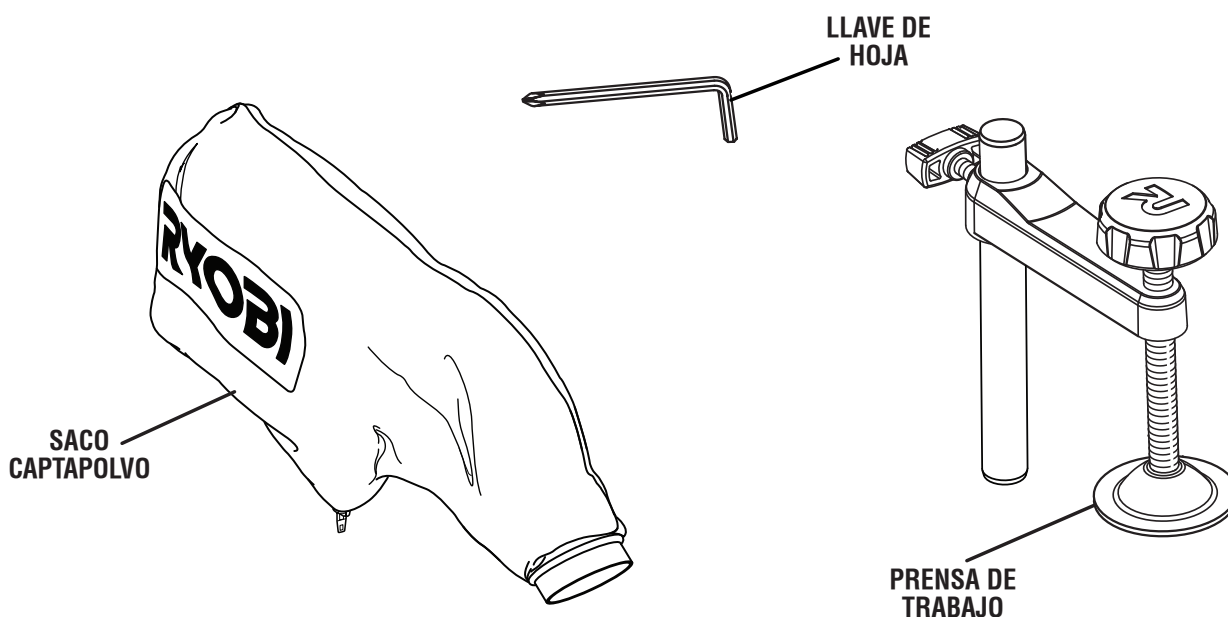


Fig. 6

ADVERTENCIA:

El empleo de aditamentos o accesorios no enumerados arriba podría ser peligrosos y causar lesiones serias.

ARMADO

DESEMPAQUETADO

Este producto requiere armarse.

- Levante cuidadosamente de la caja la sierra sujetándola del mango de acarreo y de la base, y colóquela sobre una superficie de trabajo a nivel.



ADVERTENCIA:

No utilice este producto si alguna pieza incluida en la lista de piezas sueltas ya está ensamblada al producto cuando lo desempaqueta. El fabricante no ensambla las piezas de esta lista en el producto. Éstas deben ser instaladas por el usuario. El uso de un producto que puede haber sido ensamblado de forma inadecuada podría causar lesiones personales graves.

- Embarcamos la sierra completamente armada, con el brazo de la misma asegurado en la posición inferior. Para liberar el brazo de la sierra, empújelo hacia abajo por la manga en "D", corte la amarra y extraiga el pasador de seguridad.



ADVERTENCIA:

El brazo de la sierra se carga por resorte. Mantenga el mango hacia abajo para evitar que se suelte cuando corte la tira de amarre. La inobservancia de esta advertencia puede causar lesiones serias.

- Levante la sierra sujetándola del mango. La presión de la mano debe permanecer en la manga en "D" para evitar un levantamiento súbito del mismo al soltarse la amarra.
- Inspeccione cuidadosamente la herramienta para asegurarse de que no haya sufrido ninguna rotura o daño durante el transporte.
- No deseche el material de empaquetado sin haber inspeccionado cuidadosamente este producto y haberla utilizado satisfactoriamente.

- La sierra viene ajustada desde la fábrica para realizar cortes exactos. Después de armarla verifique la exactitud de la misma. Si en el envío resultaron afectados los ajustes, consulte los procedimientos específicos explicados en este manual.

- Si hay piezas dañadas o faltantes, le suplicamos llamar al 1-800-525-2579 for assistance.



ADVERTENCIA:

Si hay piezas dañadas o faltantes, no utilice esta producto sin haber reemplazado todas las piezas. Usar este producto con partes dañadas o faltantes puede causar lesiones serias al operador.



ADVERTENCIA:

No intente modificar esta producto ni hacer accesorios no recomendados para la misma. Cualquier alteración o modificación constituye maltrato el cual puede causar una condición peligrosa, y como consecuencia posibles lesiones corporales serias.



ADVERTENCIA:

No conecte la unidad al suministro de corriente antes de terminar de armarla. De lo contrario la unidad puede ponerse en marcha accidentalmente, con el consiguiente riesgo de lesiones serias.



ADVERTENCIA:

No encienda la sierra ingleteadora combinada sin revisar para ver si hay interferencia entre la hoja y la guía de ingletes. Evitar lesiones serias o puede dañarse la hoja si toca la guía de ingletes durante el funcionamiento de la sierra.

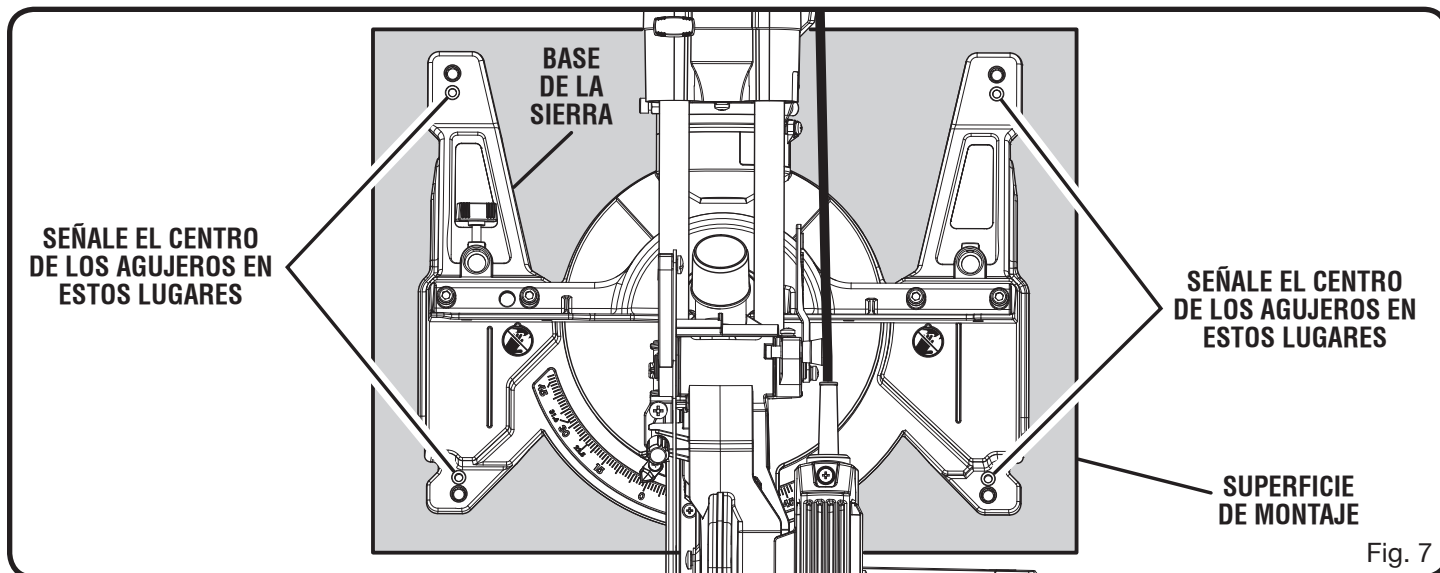


Fig. 7

ARMADO



ADVERTENCIA:

Esta sierra puede volcarse si se suelta súbitamente la cabeza de la misma y la sierra no está asegurada a una superficie de trabajo. SIEMPRE asegure esta sierra a una superficie de trabajo estable antes de usarla para evitar lesiones serias.

AGUJEROS DE MONTAJE

Vea la figura 7.



ADVERTENCIA:

Antes de iniciar cualquier operación de corte, sujete con prensa(s) o atornille la sierra ingleteadora al banco de trabajo o pedestal para sierra ingleteadora aprobado. Si se utiliza un pedestal para sierra ingleteadora, lea el manual del operador y siga las instrucciones del pedestal. NUNCA utilice la sierra ingleteadora en el piso o estando en cuclillas. La inobservancia de esta advertencia puede causar lesiones corporales serias.

Si no utiliza un soporte, la sierra ingleteadora combinada debe montarse en una superficie de soporte firme, como un banco de trabajo. Hay cuatro agujeros para perno en la base de la sierra para este fin. Cada uno de los cuatro agujeros de montaje deben estar atornillados firmemente con pernos de máquina de 1/4 pulg., arandelas de seguridad y tuercas hexagonales (no vienen incluidos). Los pernos deben ser la suficiente longitud para dar acomodo a la base de la sierra, las arandelas de seguridad, las tuercas hexagonales y el espesor del banco de trabajo. Apriete firmemente los cuatro pernos.

En la figura 7 aparecen los agujeros para el montaje en un banco de trabajo. Revise cuidadosamente el banco de trabajo después de montar la unidad para asegurarse de que no ocurra ningún durante el uso de la misma. Si el banco de trabajo se inclina, desliza o camina, asegúrelo al piso antes de utilizar la unidad.

USO EL TOPE DE PROFUNDIDAD

Vea la figura 8.

Su uso limita el descenso de la hoja durante cortes de ranura y demás tipos de corte no pasante.

Para usar el tope de profundidad:

- Desconecte la sierra
- Si la sierra está en posición de almacenamiento o transporte, destrabe el brazo de la sierra.
- Gire el tope de profundidad hacia el alojamiento del motor.
- Con perilla de control de profundidad que tocas el tope de profundidad, ajuste el perilla de control de profundidad girando el tope de profundidad hasta que la profundidad deseada del corte se alcance.
- Debe colocarse un espaciador de madera de al menos 63,5 mm (2-1/2 pulg.) entre la pieza de trabajo y la guía para una profundidad consistente del corte de la pieza de trabajo. Utilice la prensa de trabajo para sujetar el espaciador y otra prensa adecuada para sujetar la pieza de trabajo. Realice el corte deslizante a la profundidad deseada. *Vea las figuras 31 y 32.*

- Gire el tope de profundidad hacia el alojamiento del motor para cortes normales no pasantes.

NOTA: El tope de profundidad debe empujarse hacia el alojamiento del motor antes de bloquear/desbloquear el brazo de la sierra.

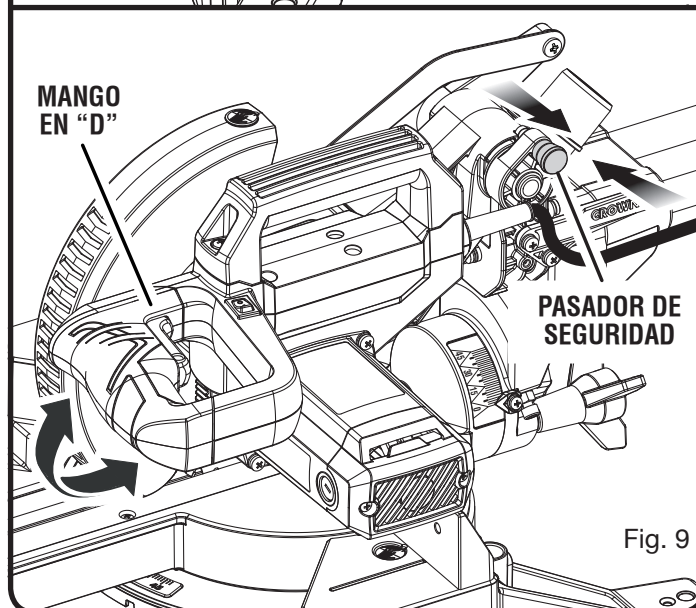
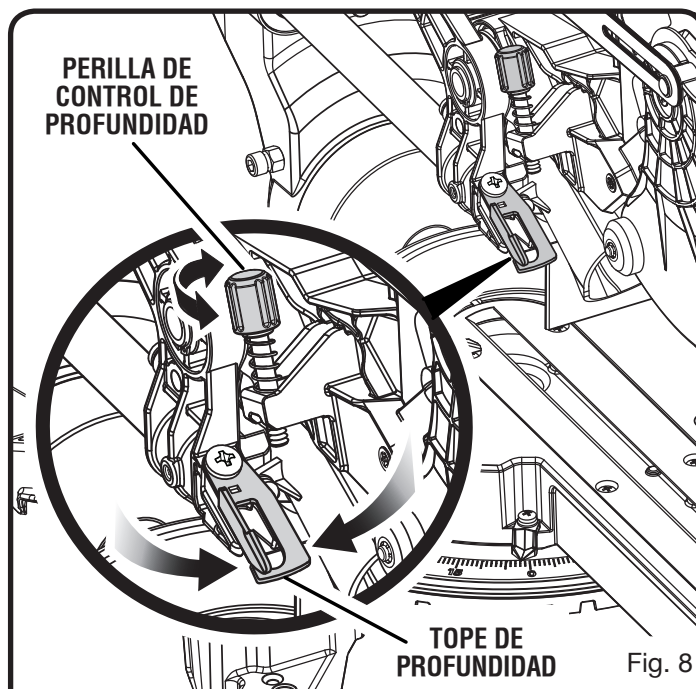
PROCEDIMIENTO DE TRABA Y DESTABA EL BRAZO DE LA SIERRA

Vea la figura 9.

Cuando bloquee y desbloquee el brazo de la sierra, no es necesario aflojar la perilla de control de profundidad.

Para destrabar y levantar el brazo de la sierra:

- Sujete firmemente el mango en "D" y presione hacia abajo mientras tira de la pasador de seguridad hacia afuera, separándola de la carcasa de la sierra.



ARMADO

- Suelte el pasador de seguridad y levante lentamente el brazo de la sierra.

Para volver a trabar el brazo de la sierra:

- Agarre firmemente el mango "D" y aplique presión hacia abajo mientras, al mismo tiempo, empuja el pasador de seguro hacia el alojamiento de la sierra.
- Libere el pasador de seguro permitiendo que fije a la sierra en su lugar.

SACO CAPTAPOLVO

Vea la figura 10.

Se suministra un saco captapolvo para utilizarse con la sierra ingleteadora. Se acopla en la abertura de salida del aserrín, en la parte posterior de la sierra.

NOTA: El orificio de escape acepta también 1-1/4 en. saco captapolvo.

LLAVE DE LA HOJA

Vea la figura 11.

Esta sierra incluye una llave para la hoja. Un extremo de la llave es un destornillador Phillips y el otro una llave hexagonal. La llave hexagonal sirve para montar o desmontar la hoja de corte y el extremo de destornillador Phillips sirve para retirar o aflojar tornillos. En la parte posterior de la guía de inglete derecha, está ubicada el área de almacenamiento de la llave de la hoja.

PRENSA DE TRABAJO

Vea la figura 11.



ADVERTENCIA:

En algunas operaciones el conjunto de la prensa de trabajo puede interferir en el movimiento del conjunto de protección de la hoja. Siempre asegúrese de que no haya interferencia en el movimiento de la protección de la hoja antes de comenzar cualquier operación de corte, para reducir el riesgo de lesiones corporales serias.

La prensa de trabajo ofrece mayor control al presionar la pieza de trabajo contra la guía o contra la mesa de la sierra. También evita que la pieza de trabajo avance hacia la hoja de la sierra. Esto es muy útil al efectuar cortes a inglete combinados. Según sea la operación de corte y el tamaño de la pieza de trabajo, puede ser necesario usar una prensa de mano (en forma de "C") u otra abrazadera adecuada en lugar de la prensa de trabajo para asegurar la pieza antes de efectuar el corte.

Para instalar la prensa de trabajo:

- Sitúe el eje de la prensa de trabajo en uno de los orificios situados detrás de la guía de ingletes.
- Gire la perilla de la prensa de trabajo para moverla hacia arriba o abajo según sea necesario para asegurar la pieza de trabajo.

PARA INSTALAR O REEMPLAZAR LA HOJA

Vea las figuras 12 y 13.

La hoja viene instalada en este modelo de sierra ingleteadora. Para su referencia, se incluyen instrucciones para cambiar o reemplazar las hojas.

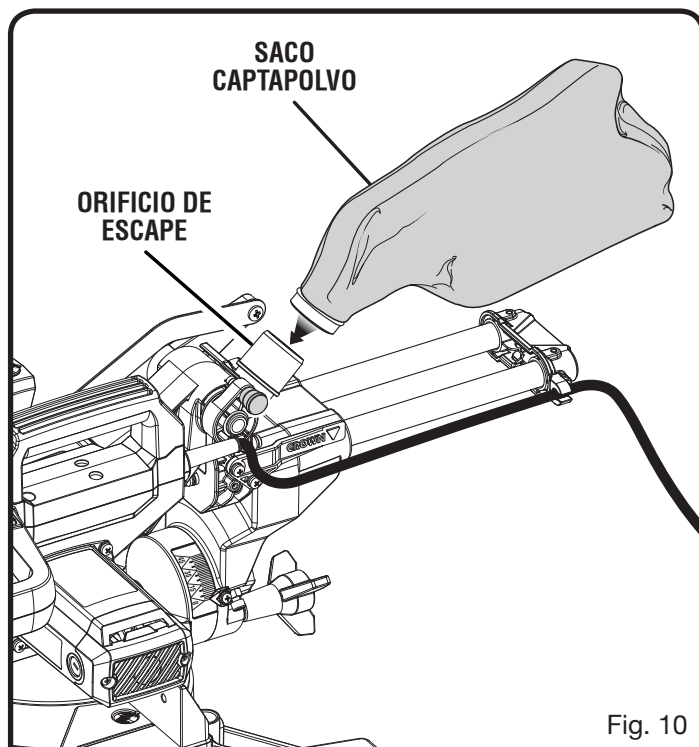


Fig. 10

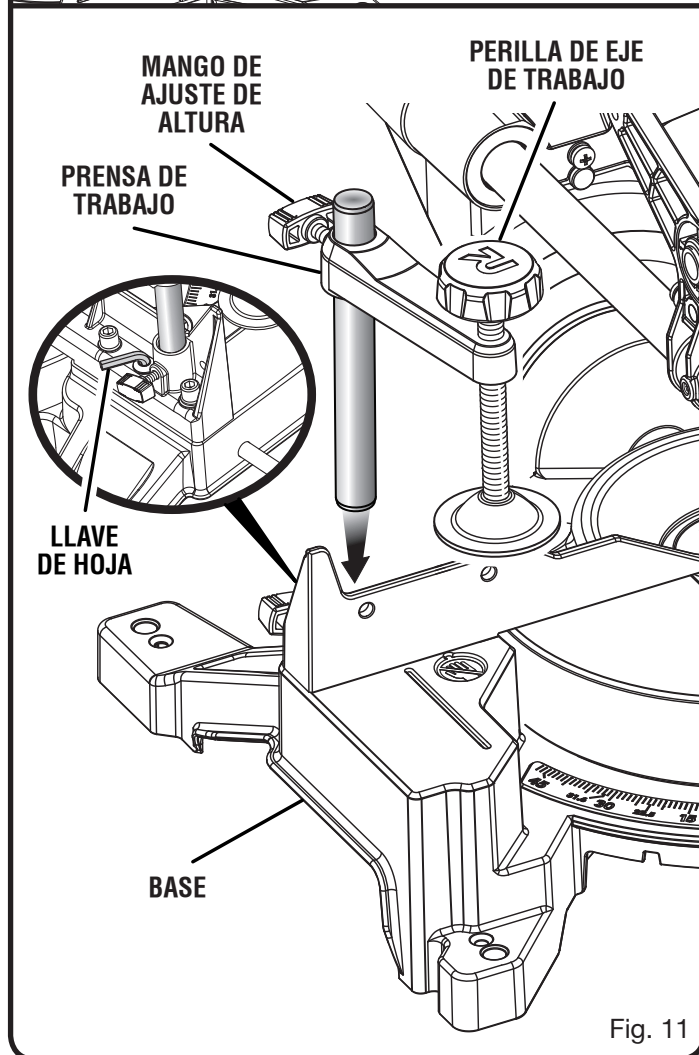


Fig. 11

ARMADO



ADVERTENCIA:

La sierra tiene capacidad para hojas hasta de un diámetro de 184 mm (7-1/4 pulg.). Nunca utilice una hoja tan gruesa que la arandela exterior de la hoja no se enganche en las partes planas del husillo. Las hojas más grandes tocan las protecciones de la hoja, y las más gruesas impiden asegurarlas con el perno correspondiente en el husillo. Cualquiera de estas dos situaciones puede producir un accidente serio, con las consiguientes lesiones corporales serias.

- Desconecte la sierra.
- Destornille el tornillo de la cubierta de la hoja. Levante la protección inferior de la hoja y suba la tapa del perno de la hoja y deje expuesto éste.
- Oprima el botón del seguro del husillo y gire el perno de la hoja hasta inmovilizar el husillo.
- Con la llave de hoja suministrada de la hoja afloje el perno de la misma y retírelo.

NOTA: El perno tiene rosca izquierda. Gire hacia la derecha el perno de la hoja para aflojarlo.

- Retire la arandela exterior de la hoja.
NOTA: La arandela interior de la hoja está integrada al husillo y no puede quitarse.
- Unte una gota de aceite en la arandela interior y en la arandela exterior de la hoja, donde tocan ésta.
- Acomode la hoja de la sierra dentro de la protección inferior, y móntela en el husillo. Los dientes de la sierra apuntan hacia abajo en la parte delantera de la sierra, como se muestra en la figura 13.

- Retire la arandela exterior de la hoja. Las dos partes planas en "D" de la hoja se alinean con las partes planas del husillo.
- Oprima el botón del seguro del husillo y vuelva a colocar el perno de la hoja.

NOTA: El perno tiene rosca izquierda. Gire hacia la izquierda el perno de la hoja para apretarlo.



PRECAUCIÓN:

Siempre instale la hoja con los dientes de la misma y la flecha impresa en el costado de la hoja apuntando hacia abajo en la parte frontal de la sierra. El sentido de giro de la hoja también está impreso en forma de flecha en la protección superior de la hoja.

- Apriete firmemente el perno de la hoja.
- Vuelva a colocar la protección inferior y la tapa del perno de la hoja.
- Apriete firmemente el tornillo de la cubierta de la hoja.
- Levante y baje el cabezal de la sierra y asegúrese de que el protector de la hoja inferior funcione correctamente.

BOTÓN DEL SEGURO DEL HUSILLO

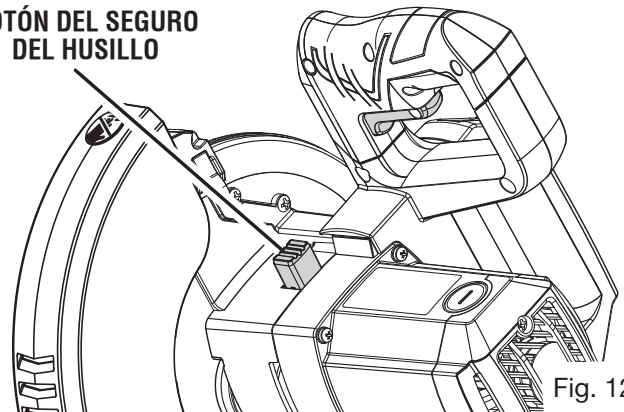


Fig. 12

NOTA: ANTES DE USO, VUELVA A COLOCAR LOS TORNILLO Y APRIÉTELO FIRMEMENTE PARA PREVENIR EL MOVIMIENTO DE PROTECCIÓN

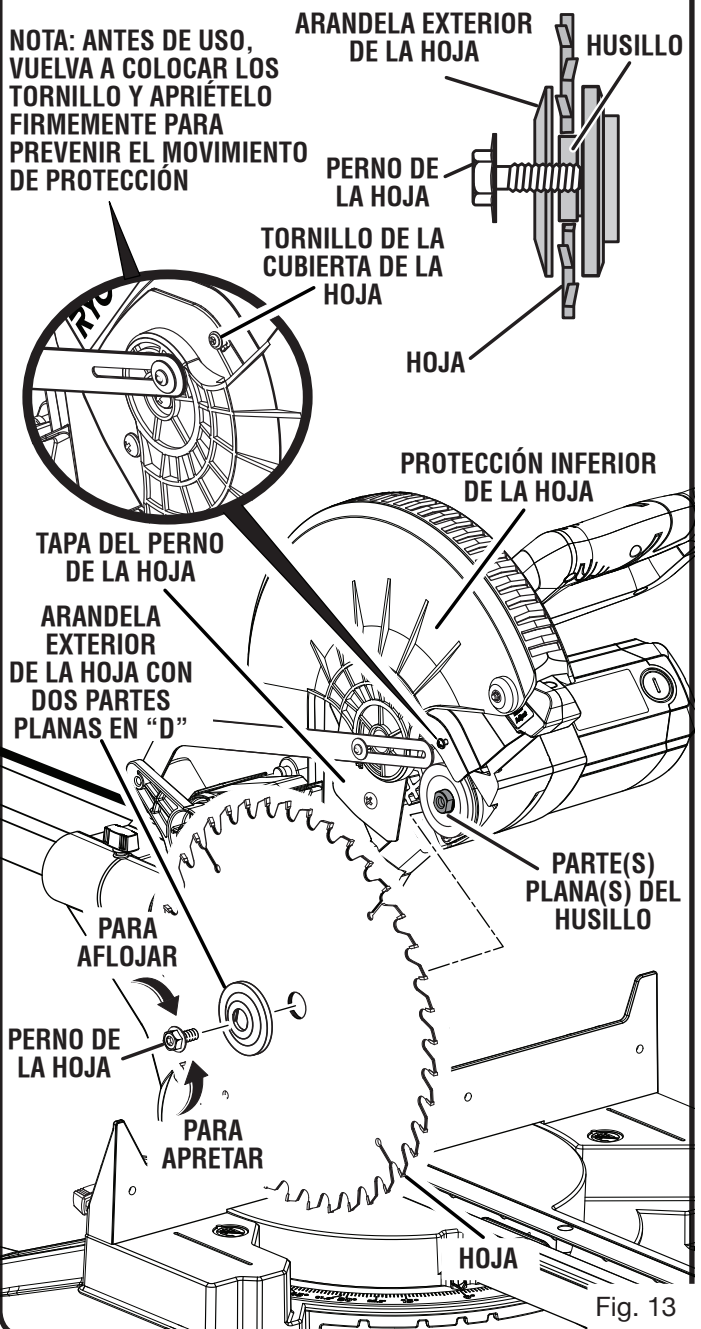


Fig. 13

ARMADO

ADVERTENCIA:

Asegúrese de que el botón del seguro del husillo no esté oprimido antes de volver a conectar la sierra al suministro de corriente. Nunca oprima el botón del seguro del husillo cuando esté girando la hoja.

EXTRACCIÓN / REEMPLAZO DE LA PLACA DE GARGANTA

Vea la figura 14.

ADVERTENCIA:

La placa de la garganta debe estar a debajo de la mesa de ingletes. Si la placa de la garganta está demasiado alta o demasiado baja, la pieza de trabajo puede engancharse en los bordes desiguales y resultar en atoramientos, lo cual podría causar lesiones corporales serias.

Nunca utilice la sierra sin la placa de garganta instalada.

Extracción / reemplazo:

- Desconecte la sierra.
- Retirer los tornillos que sujetan la placa de la garganta.
- Levante de la placa de garganta para de la sierra.
- Para volver a instalar la placa de la garganta, alinee los orificios de la misma con los de la base de la sierra.
- Vuelva a apretar los tornillos, teniendo cuidado de no hacerlo excesivamente, lo cual podría combar o doblar la placa de garganta.

PARA AJUSTAR PIED DE SUPPORT

Vea la figura 14.

Gire el pie de soporte hacia la derecha o izquierda, según la cantidad de soporte que necesite para realizar cortes deslizantes.

NOTA: En muchas de las ilustraciones de este manual se muestran sólo porciones de la sierra ingleteadora compuesta. Se hace así deliberadamente para mostrar con claridad lo que intentamos comunicar en las ilustraciones. **Nunca utilice la sierra sin todas las protecciones montadas en su lugar y en buen estado de funcionamiento.**

ESCUADRADO DE LA HOJA CON LA MESA DE INGLETES

Vea las figuras 15 a 20.

- Desconecte la sierra.
- Tire del brazo de la sierra completamente hacia abajo y enganche el pasador de seguridad para asegurar el brazo en la posición de traslado.
- Afloje la perilla de fijación de inglete aproximadamente media vuelta y apriete la palanca de detención de afloje.
- Gire la mesa de ingletes hasta que el puntero del brazo de control quede colocado en la marca de 0°.
- Suelte la palanca de detención de afloje y asegúrese de que el brazo de control esté asentado en la muesca positiva.

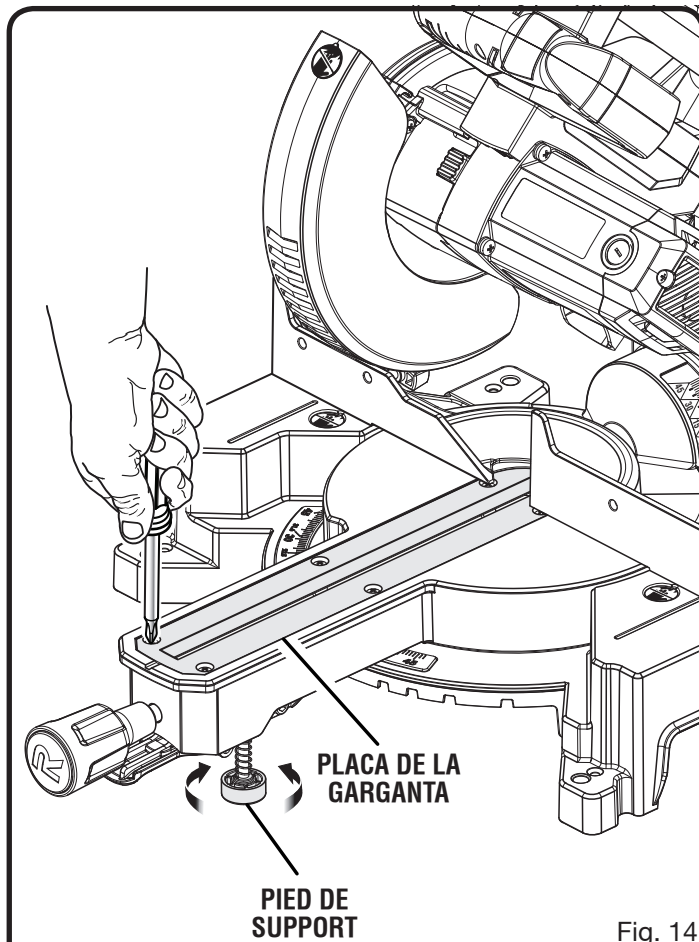


Fig. 14

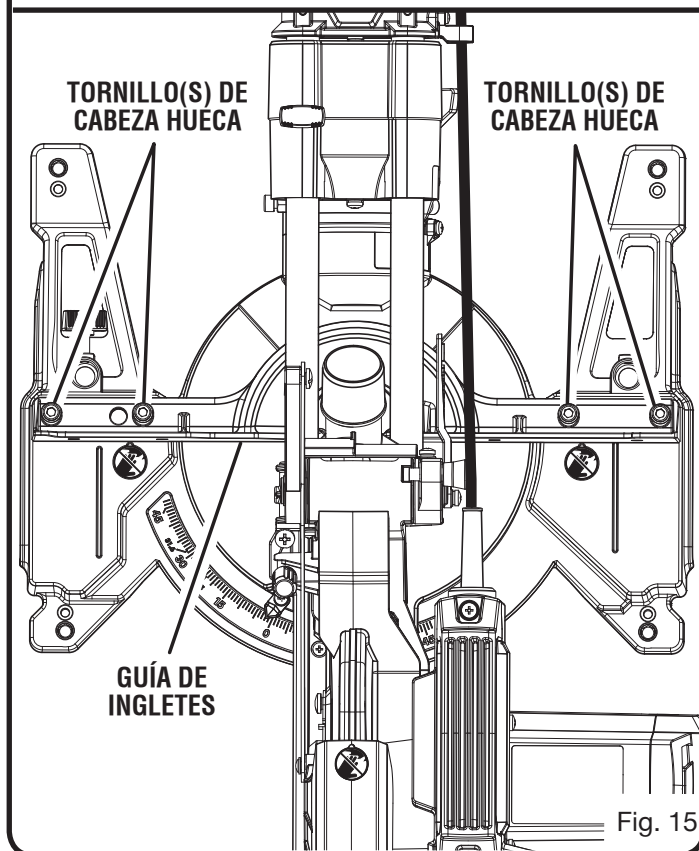
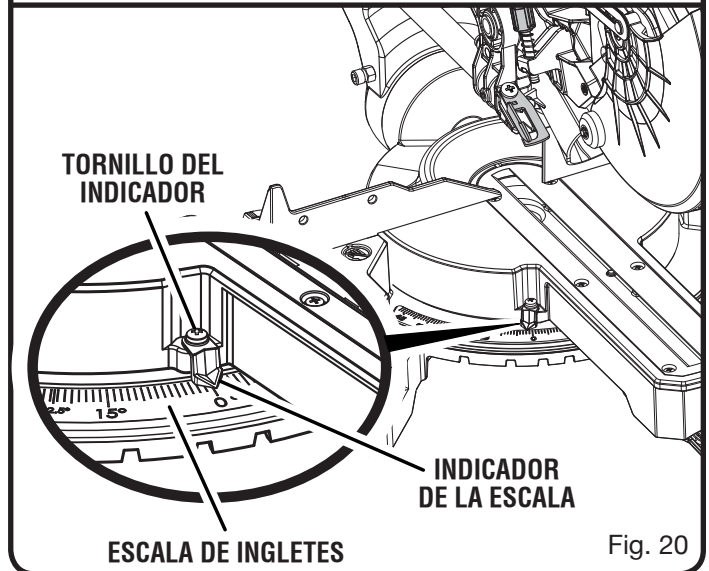
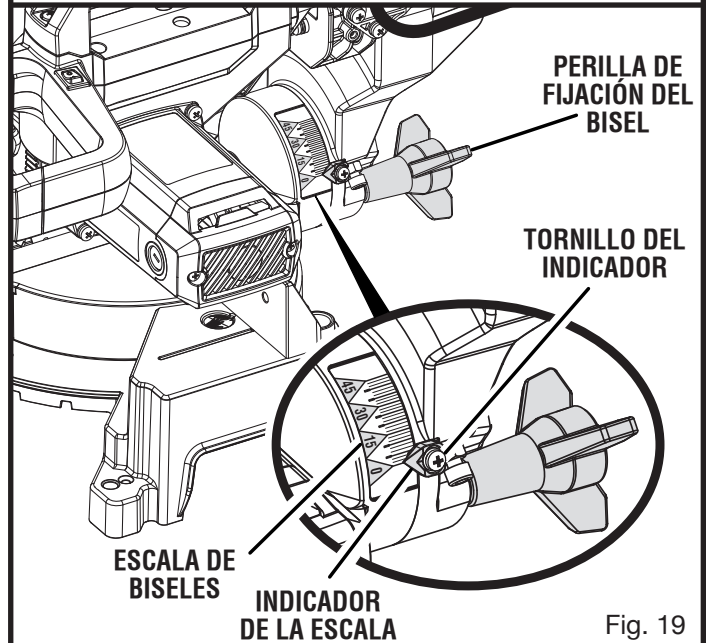
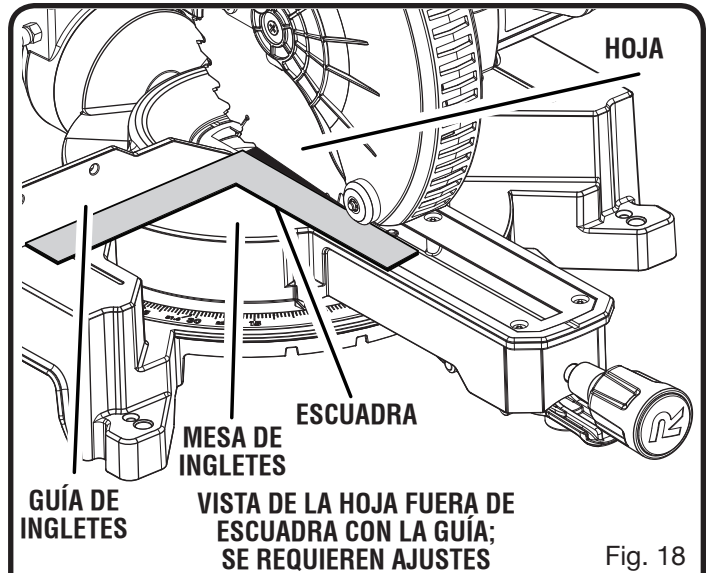
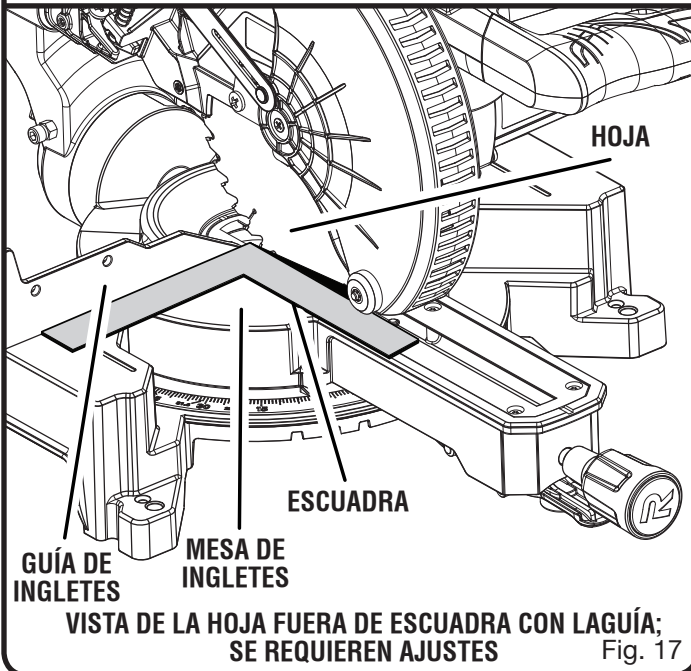
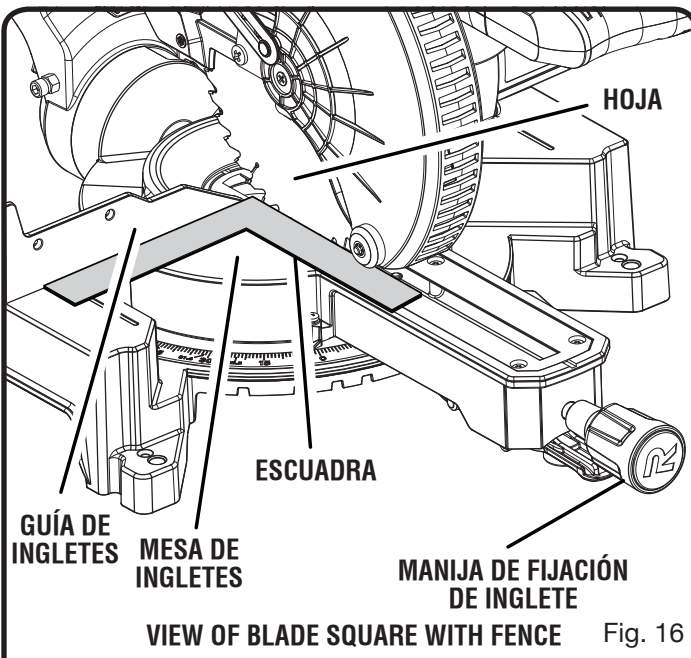


Fig. 15

ARMADO

- Ajuste la perilla de fijación de inglete para fijar la mesa de ingletes.
 - Afloje la perilla de fijación de bisel a 0° (la hoja puesta a 90° con la mesa de ingletes). Apriete la perilla de fijación de bisel.
 - Coloque horizontalmente una escuadra sobre la mesa de ingletes. Coloque una pata de la escuadra contra la guía. Deslice la otra pata de la escuadra para colocarla contra la parte plana de la hoja de la sierra.
- NOTA:** Asegúrese de que la escuadra toque la parte plana de la hoja de la sierra, no los dientes.
- El borde de la escuadra y la hoja de la sierra deben estar paralelas, como se muestra en la figure 16.



ARMADO

- Si el borde delantero o trasero de la hoja de la sierra forma un ángulo con respecto a la escuadra, como se muestra en las figuras 17 y 18, se requieren ajustes.
- Utilizando la llave de hoja suministrada, afloje los tornillos de cabeza hueca que aseguran la guía de ingletes a la mesa de ingletes.
- Gire la guía hacia la izquierda o hacia la derecha hasta que la hoja esté en forma paralela a la escuadra.
- Vuelva a apretar los tornillos firmemente y revise de nuevo la alineación de la hoja con la guía.

La sierra ofrece varios indicadores de escala. Después de efectuar los ajustes de escuadrado, puede ser necesario aflojar los tornillos de los indicadores y reajustarlos a cero. *Vea las figuras 19 - 20.*

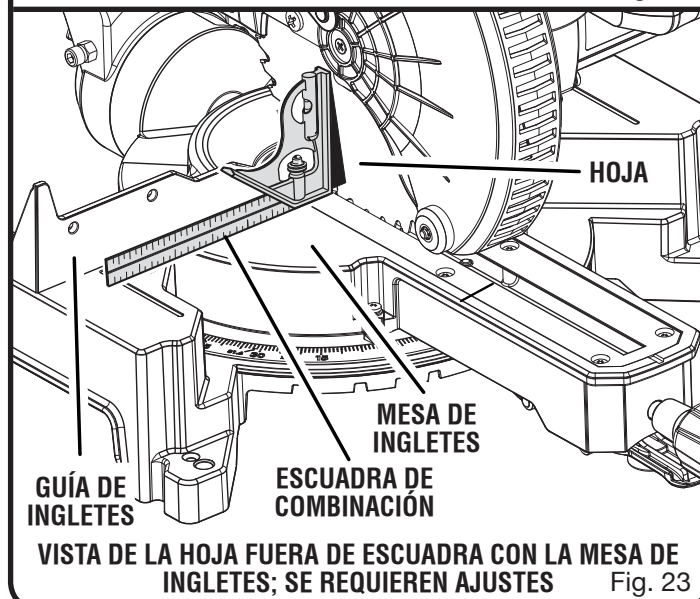
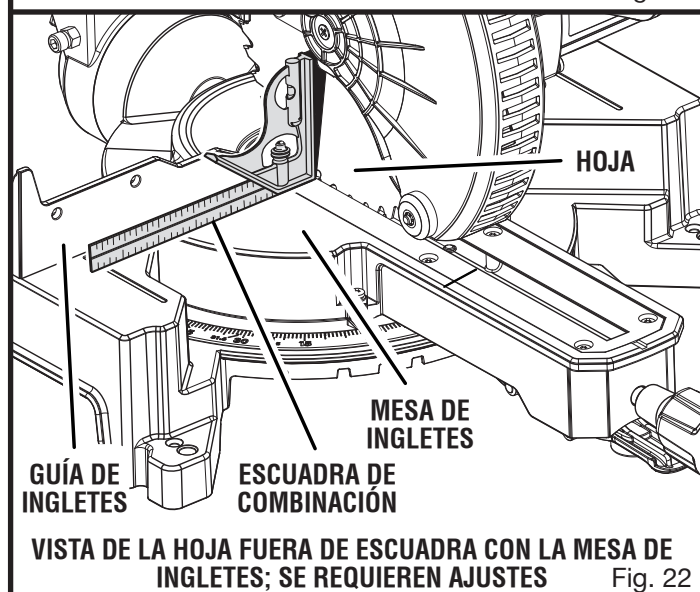
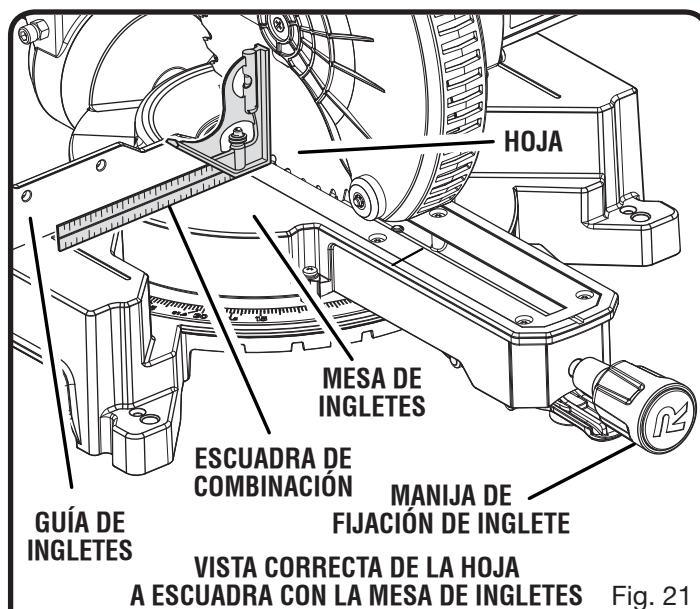
ESCUADRADO DE LA HOJA CON LA MESA DE INGLETES

Vea las figuras 21 a 23.

- Desconecte la sierra.
- Tire del brazo de la sierra completamente hacia abajo y enganche el pasador de seguridad para asegurar el brazo en la posición de traslado.
- Afloje la perilla de fijación de inglete aproximadamente media vuelta y apriete la palanca de detención de afloje.
- Gire la mesa de ingletes hasta que el indicador quede en la marca de 0°
- Suelte la palanca de detención de afloje, y luego ajuste la perilla de fijación de inglete para fijar la mesa de ingletes.
- Afloje la perilla de fijación de bisel a 0° (la hoja puesta a 90° con la mesa de ingletes). Apriete la perilla de fijación de bisel.
- Coloque una escuadra de combinación contra la mesa de ingletes y parte plana de la hoja de la sierra.
- NOTA:** Asegúrese de que la escuadra toque la parte plana de la hoja de la sierra, no los dientes.
- Gire la hoja con la mano y revise la alineación de la hoja con la mesa en varios puntos.
- El borde de la escuadra y la hoja de la sierra deben estar paralelas, como se muestra en la figura 21.
- Si la parte superior o inferior de la hoja de la sierra forma un ángulo con respecto a la escuadra, como se muestra en las figuras 22 y 23, se requieren ajustes.
- Afloje la perilla de seguridad de bisel.
- Ajuste el tornillo de ajuste del tope para alinear la hoja con la escuadra. *Vea el apartado **Ajuste de los topes** en la sección **Ajuste**.*
- Reajuste la perilla de seguridad de bisel. Vuelva a comprobar la alineación de la hoja a la mesa.

NOTA: El procedimiento descrito arriba puede aplicarse para revisar el escuadrado de la hoja con la mesa de ingletes a 0° y a 45°.

La sierra ofrece varios indicadores de escala. Después de efectuar los ajustes de escuadrado, puede ser necesario aflojar los tornillos de los indicadores y reajustarlos a cero. *Vea las figuras 19 y 20.*



FUNCIONAMIENTO

ADVERTENCIA:

No permita que su familiarización con las herramientas lo vuelva descuidado. Tenga presente que un descuido de un instante es suficiente para causar una lesión grave.

ADVERTENCIA:

Siempre póngase protección ocular con la marca de cumplimiento de la norma ANSI Z87.1. Si no cumple esta advertencia, los objetos que salen despedidos pueden producirle lesiones serias en los ojos.

ADVERTENCIA:

No utilice ningún aditamento o accesorio no recomendado por el fabricante de esta herramienta. El empleo de aditamentos o accesorios no recomendados podría causar lesiones serias.

APPLICATIONS

Esta herramienta puede emplearse para los fines siguientes:

- Cortes transversales en madera y plástico (no corte artículos de metal, cerámica o mampostería.)
- Cortes transversales a inglete, de uniones, etc., para marcos de cuadros, molduras, marcos de puertas y ensambladuras finas
- Cortes a bisel y cortes compuestos
- Cortes transversales de piezas anchas de trabajo

NOTA: La hoja suministrada es adecuada para la mayoría de las operaciones de corte, pero para cortes de ensambladuras finas y en plástico, utilice una de las hojas de accesorio a la venta en la tienda de venta de productos Ryobi de su preferencia.

ADVERTENCIA:

Antes de iniciar cualquier operación de corte, sujete con prensa(s) o atornille en el banco de trabajo la sierra ingleteadora combinada. Nunca utilice la sierra ingleteadora en el piso o estando en cuclillas. La inobservancia de esta advertencia puede causar lesiones serias.

ADVERTENCIA:

Para evitar lesiones corporales serias, siempre apriete la manija de fijación de inglete y perilla de fijación del bisel antes de efectuar un corte. De lo contrario podría producirse un movimiento de la mesa de ingletes o cabezal de la sierra mientras se efectúa el corte.

ADVERTENCIA:

Para evitar lesiones corporales serias, mantenga las manos fuera de la zona de no acercar las manos; por lo menos a 76 mm (3 pulg.) de la hoja. Nunca efectúe a pulso ninguna operación de corte (sin asegurar la pieza de trabajo contra la guía). La hoja podría coger la pieza de trabajo si se resbala o tuerce.

AVISO:

No encienda la sierra ingleteadora compuesta sin comprobar que no haya interferencia entre la hoja y la guía de ingletes. La hoja puede dañarse si toca la guía de ingletes durante el funcionamiento de la sierra.

PROCEDIMIENTO DE CORTE CON LA SIERRA INGLETEADORA COMPUESTA

ADVERTENCIA:

Al utilizar la prensa de trabajo o una de mano para asegurar la pieza de trabajo, sujete ésta sólo en un lado de la hoja. La pieza de trabajo debe quedar libre en un lado de la hoja para evitar que ésta se atore en la pieza de trabajo. El atoramiento de la hoja en la pieza de trabajo causa un agarrotamiento y un contragolpe del motor. Esta situación podría causar un accidente, y como consecuencia posibles lesiones serias.

ADVERTENCIA:

NUNCA mueva el ajuste de la pieza de trabajo ni marca a algún ángulo cortante mientras el vio corre y la hoja gira. Cualquier tropiezo puede tener como resultado el contacto con la hoja que causa lesiones serias.

ADVERTENCIA:

No intente cortar piezas estrechas usando la función de deslizamiento. La inobservancia de esta advertencia podría causar lesiones graves.

SISTEMA DE ILUMINACIÓN LED

Vea la figura 24.

El sistema de iluminación LED proyecta la sombra de la hoja en la pieza de trabajo. Esto genera una mayor precisión de cortes y no requiere ajustes.

Para utilizar esta característica, encienda el interruptor LED.

Baje el brazo de la sierra para que la hoja se encuentre aproximadamente a 6,35 mm (1/4 pulg.) de la pieza de trabajo. La sombra de la hoja se proyectará en la pieza de trabajo, indicando dónde hará contacto el diente de la hoja cuando se realice el corte.

PARA REALIZAR CORTES NO DESLIZANTES

ADVERTENCIA:

Apriete firmemente la perilla de fijación de la guía telescópica para realizar cortes no deslizantes. Si no se aprieta esta perilla, podría moverse el cabezal de la sierra durante la tarea de corte.

FUNCIONAMIENTO

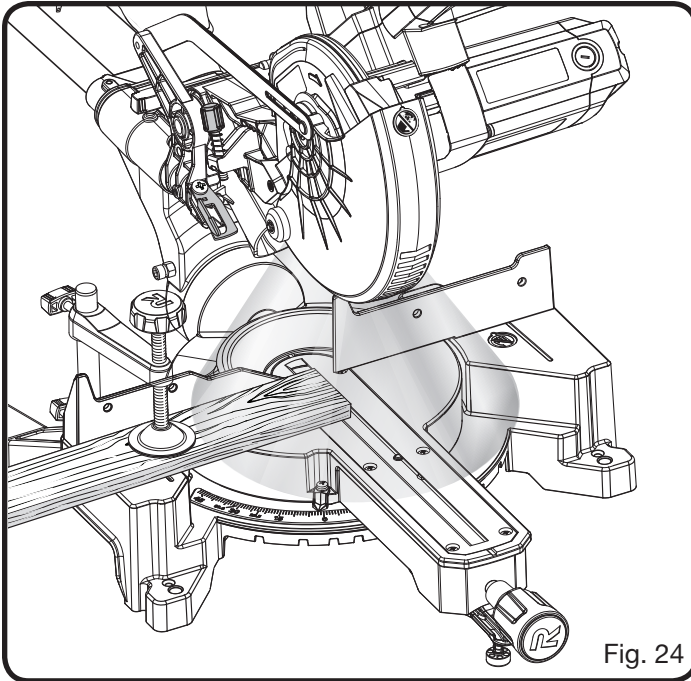


Fig. 24

PARA REALIZAR CORTES DE INGLETE / TRANSVERSALES

Vea las figuras 25 y 26.

Los cortes transversales se efectúan cortando a través de la veta de la pieza de trabajo. Un corte transversal recto se efectúa con la mesa de ingletes ajustada en la posición de 0°. Los cortes de inglete se efectúan con la mesa de ingletes puesta en un ángulo diferente de 0°.

- Deslice el cabezal de la sierra hacia su posición más trasera y ajuste la perilla de fijación de la corredera en forma segura.
- Suba el brazo de la sierra hasta su altura máxima.
- Afloje la perilla de fijación de inglete aproximadamente media vuelta y apriete la palanca de detención de afloje.
- Gire el brazo de control hasta no alinear el indicador con el ángulo deseado de la escala de ingletes.
- Suelte la palanca de detención de afloje, y luego ajuste la perilla de fijación de inglete para fijar la mesa de ingletes.

NOTA: Puede ubicar rápidamente 0°, 15°, 22-1/2°, 31,6°, y 45° a la izquierda o a la derecha soltando el botón de detención de afloje a medida que rota el brazo de control. El brazo de control se asentará en una de las muescas de los toques, ubicados en la base de la mesa de ingletes.

- Coloque la pieza de trabajo plana en la mesa de inglete con un borde firmemente contra la guía. Si la madera está combada, coloque el lado convexo contra la guía. Si se coloca el borde cóncavo de una madera contra la guía, la madera puede romperse en la hoja al final de un corte, dejando atascada la hoja. *Vea las figuras 39 y 40.*
- Cuando corte pedazos largos de madera o moldura, apoye el extremo opuesto del material con un pedestal con rodillos o con una superficie de trabajo que esté al mismo nivel de la mesa de la sierra. *Vea la figura 30.*
- Deslice el cabezal de la sierra hacia su posición más trasera y ajuste la perilla de fijación de la corredera en forma segura.

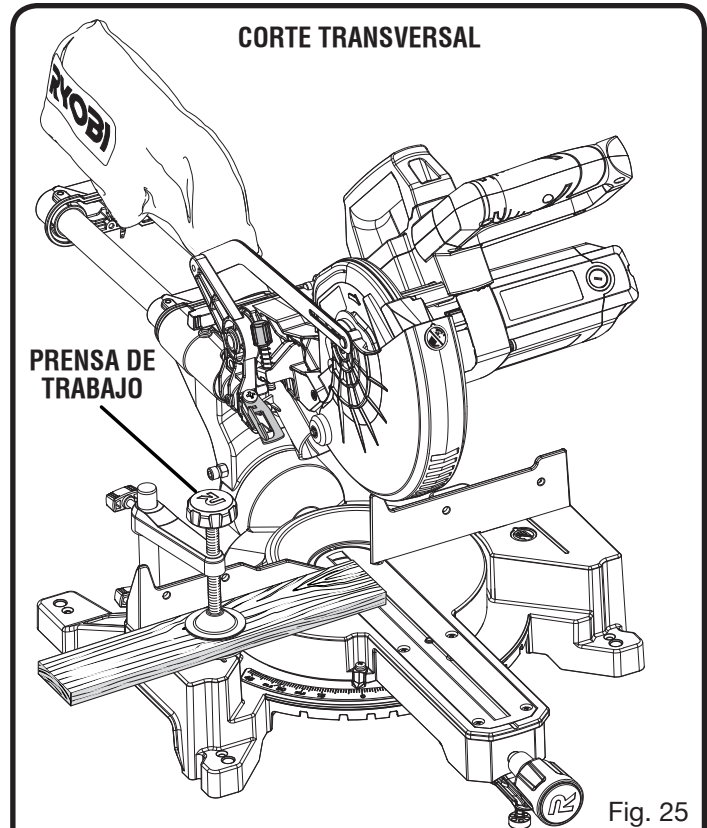


Fig. 25

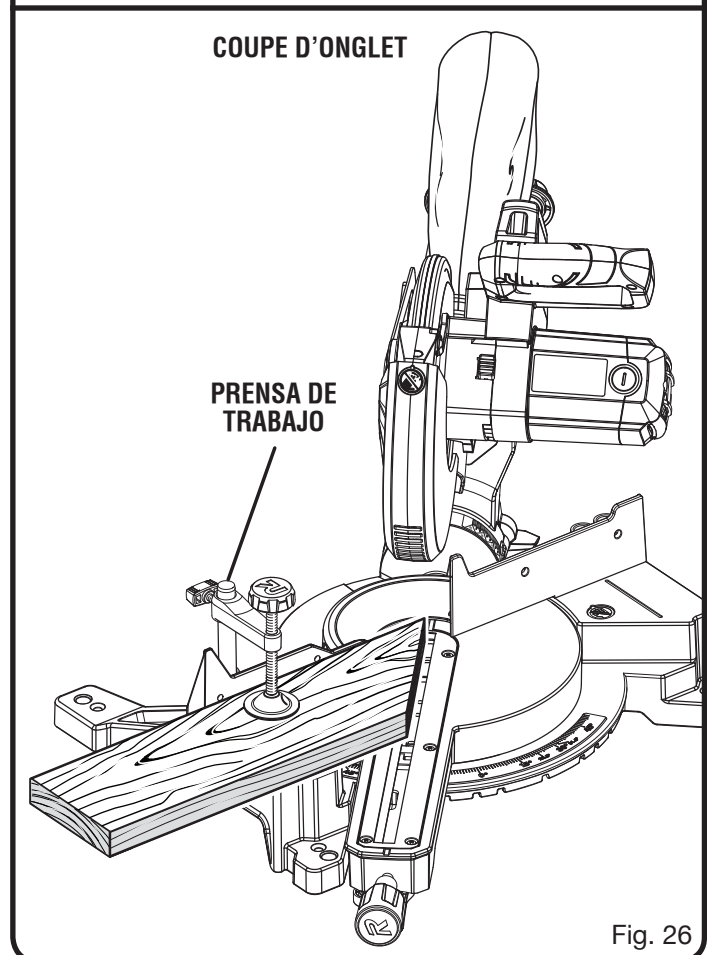


Fig. 26

FUNCIONAMIENTO

- Alinee la línea de corte de la pieza de trabajo con el borde de la hoja de la sierra o línea de LED.
- Sujete firmemente la pieza con una mano y colóquela contra la guía. Cuando sea posible, use el sujetamadera o la prensa en C para asegurar la pieza de trabajo.
- Antes de encender la sierra, efectúe una simulación de la tarea de corte, sólo para asegurarse de que no suceda ningún problema durante la tarea de corte real.
- Sujete firmemente el mango de la sierra. Oprima el gatillo. Deje transcurrir varios segundos para que la hoja alcance su velocidad máxima.
- Baje lentamente la hoja de la sierra haciendo que se introduzca y traspase la pieza de trabajo.
- Suelte el gatillo del interruptor y espere a que la hoja de la sierra deje de girar antes de levantarla de la pieza de trabajo y retirar la pieza de trabajo de la mesa de ingletes.

PARA CORTAR A BISEL

Vea la figura 27.

Un corte en bisel se efectúa cortando a través de la fibra de la pieza de trabajo con la hoja en ángulo con dicha pieza. Un corte en bisel recto se efectúa con la mesa de ingletes en la posición de cero grados y la hoja a un ángulo entre 0° y 45°.

- Deslice el cabezal de la sierra hacia su posición más trasera y ajuste la perilla de fijación de la corredera en forma segura.
- Extraiga el pasador de seguridad y levante el brazo de la sierra a su máxima altura.
- Afloje la perilla de fijación de inglete aproximadamente media vuelta y apriete la palanca de detención de afloje.
- Gire el brazo de control hasta no alinear el indicador con el ángulo deseado de la escala de ingletes.
- Suelte la palanca de detención de afloje, y luego ajuste la perilla de fijación de inglete para fijar la mesa de ingletes.

NOTA: Puede ubicar rápidamente 0°, 15°, 22-1/2°, 31,6°, y 45° a la izquierda o a la derecha soltando la palanca de detención de afloje a medida que rota el brazo de control. El brazo de control se asentará en una de las muescas de los topes, ubicados en la base de la mesa de ingletes.

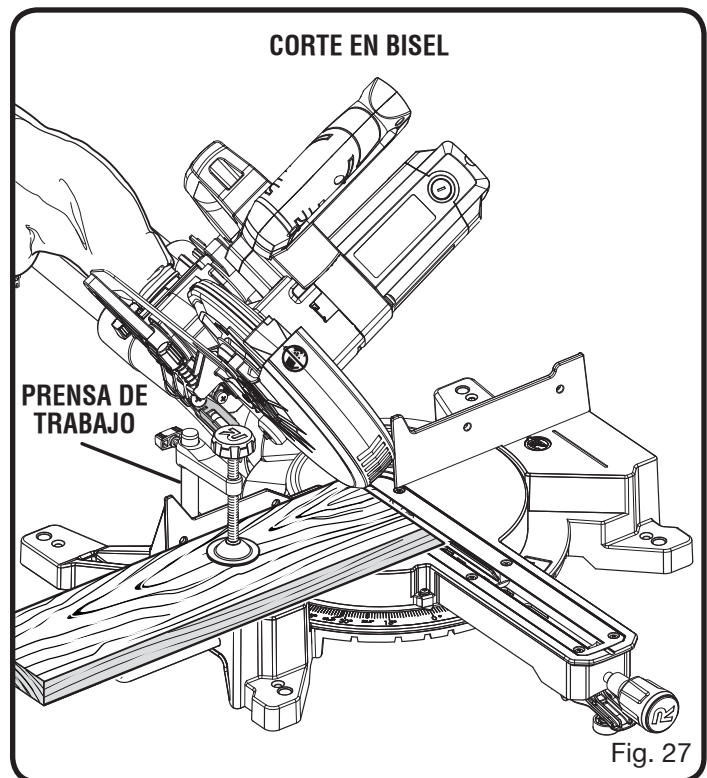
- Afloje la perilla de fijación de bisel y mueva el brazo de la sierra hacia la izquierda al ángulo de bisel deseado.
- Los ángulos de bisel pueden fijarse de 0° a 45°.
- Alinee el indicador con el ángulo deseado.
- Una vez puesto el brazo de la sierra en el ángulo deseado, apriete firmemente la perilla de fijación de bisel.
- Coloque la pieza de trabajo horizontal en la mesa de ingletes, con un borde firme contra la guía. Si está distorsionada la tabla, coloque el lado convexo contra la guía. Si se coloca el canto cóncavo de la tabla contra la guía, la tabla podría venirse sobre la hoja al final del corte, y la frenaría. *Vea las figuras 39 y 40.*
- Al cortar tablas o molduras largas, apoye el extremo opuesto del material sobre un soporte de rodillo o con una superficie de trabajo a nivel con la mesa de la sierra. *Vea la figura 30.*
- Deslice el cabezal de la sierra hacia su posición más trasera y ajuste la perilla de fijación de la corredera en forma segura.
- Alinee la línea de corte de la pieza de trabajo con el borde de la hoja de la sierra o línea de LED.

- Sujete firmemente la pieza con una mano y asegúrela contra la guía. Use la prensa de trabajo optativa o una prensa de mano para asegurar la pieza de trabajo siempre que sea posible.
- Antes de encender la sierra, efectúe una simulación de la operación de corte, sólo para asegurarse de que no suceda ningún problema durante la operación de corte real.
- Sujete firmemente el mango de la sierra y oprima el gatillo del interruptor. Permita transcurrir varios segundos para que la hoja alcance su velocidad máxima.
- Baje lentamente la hoja de la sierra hacia la pieza de trabajo y corte ésta.
- Suelte el gatillo del interruptor y permita que se cese de girar la hoja de la sierra antes de levantarla de la pieza de trabajo. Espere hasta que el freno eléctrico detenga la hoja antes de retirar la pieza de trabajo de la sierra ingleteadora.

PARA EFECTUAR UN CORTE A INGLETE COMBINADO

Vea las figuras 28 y 29.

Un corte en bisel combinado es un corte efectuado a un ángulo de inglete y a un ángulo de bisel al mismo tiempo. Este tipo de corte se usa para elaborar marcos de cuadros, cortar molduras, elaborar cajas con lados inclinados y para ciertos cortes para entramado de techos.



FUNCIONAMIENTO

Para efectuar este tipo de corte, el brazo de control de la mesa de ingletes debe girarse al ángulo correcto y el brazo de la sierra debe inclinarse al ángulo de bisel correcto. Siempre debe tenerse cuidado al preparar la unidad para cortes a inglete combinados debido a la interacción existente entre los ajustes de los dos ángulos.

El ajuste de los ángulos de inglete y de bisel son interdependientes entre sí. Cada vez que se ajusta el ángulo de inglete se cambia el efecto en el ángulo de bisel. También, cada vez que se ajusta el ángulo de bisel se cambia el efecto en el ángulo de inglete.

Puede tomarse varios ajustes obtener el corte deseado. El ajuste del primer ángulo debe revisarse después de ajustarse el segundo, puesto que el ajuste del segundo afecta el primero.

Una vez obtenidos los dos ajustes correctos para un corte en particular, siempre efectúe un corte de prueba en material de desecho antes de efectuar un corte final en material bueno.

- Deslice el cabezal de la sierra hacia su posición más trasera y ajuste la perilla de fijación de la corredera en forma segura.
- Extraiga el pasador de seguridad y levante el brazo de la sierra a su máxima altura.
- Afloje la perilla de fijación de inglete aproximadamente media vuelta y apriete la palanca de detención de afloje.
- Gire el brazo de control hasta no alinear el indicador con el ángulo deseado de la escala de ingletes.
- Suelte la palanca de detención de afloje, y luego ajuste la perilla de fijación de inglete para fijar la mesa de ingletes.
- Afloje la perilla de fijación de bisel y mueva el brazo de la sierra hacia la izquierda al ángulo de bisel deseado.
- Los ángulos de bisel pueden fijarse de 0° a 45°.
- Una vez puesto el brazo de la sierra en el ángulo deseado, apriete firmemente la perilla de fijación de bisel.
- Vuelva a revisar el ajuste del ángulo de inglete. Efectúe un corte de prueba en material de desecho.
- Coloque la pieza de trabajo horizontal en la mesa de ingletes, con un borde firme contra la guía. Si está distorsionada la tabla, coloque el lado convexo contra la guía. Si se el canto cóncavo de la tabla se viniera sobre la hoja al final del corte, la atoraría. *Vea las figuras 39 y 40.*
- Al cortar tablas o molduras largas, apoye el extremo opuesto del material sobre un soporte de rodillo o con una superficie de trabajo a nivel con la mesa de la sierra. *Vea la figura 30.*
- Deslice el cabezal de la sierra hacia su posición más trasera y ajuste la perilla de fijación de la corredera en forma segura.
- Alinee la línea de corte de la pieza de trabajo con el borde de la hoja de la sierra o línea de LED.
- Sujete firmemente la pieza con una mano y asegúrela contra la guía. Use la prensa de trabajo optativa o una prensa de mano para asegurar la pieza de trabajo siempre que sea posible.
- Antes de encender la sierra, efectúe una simulación de la operación de corte, sólo para asegurarse de que no suceda ningún problema durante la operación de corte real.
- Sujete firmemente el mango de la sierra y oprima el gatillo del interruptor. Permita transcurrir varios segundos para que la hoja alcance su velocidad máxima.

CORTE EN BISEL COMBINADO

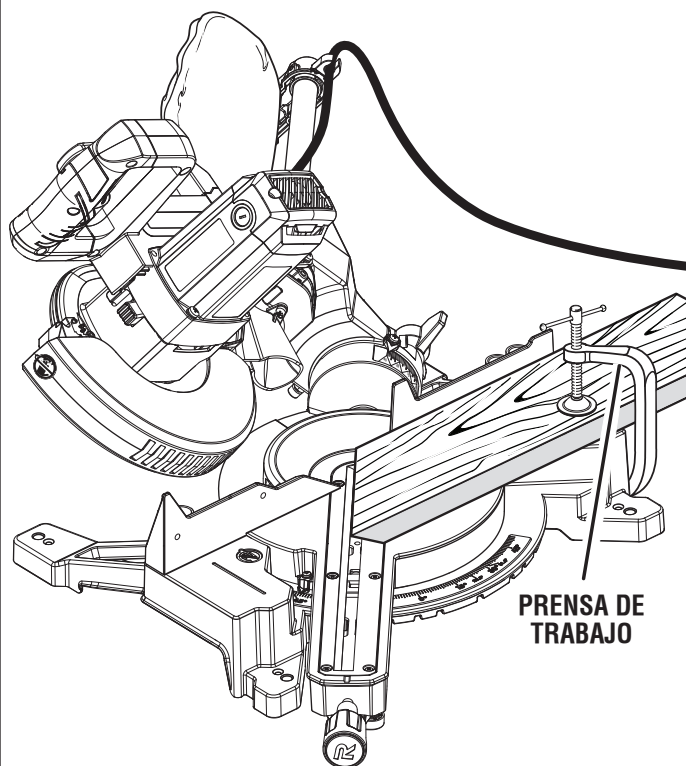
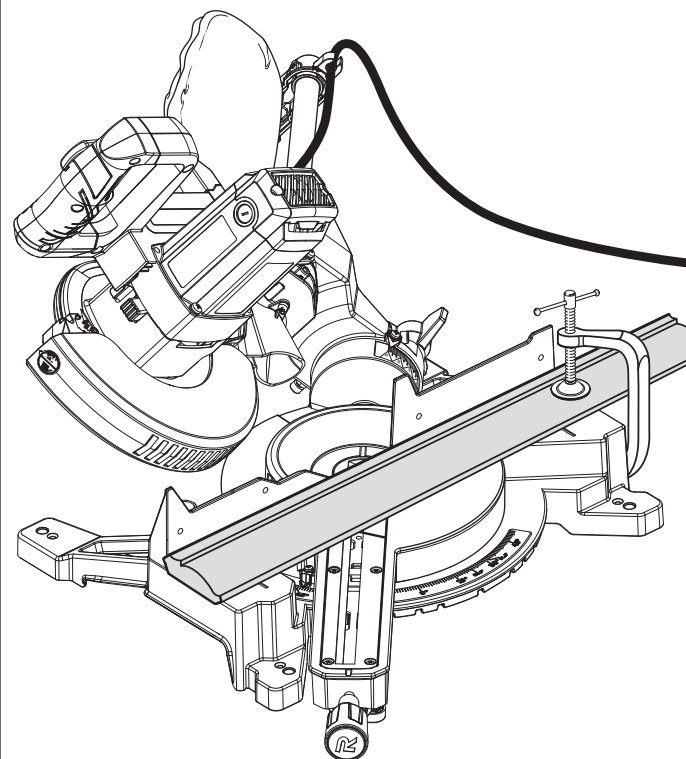


Fig. 28



CORTE A INGLETE COMBINADO DE 45° X 45° Fig. 29

FUNCIONAMIENTO

- Baje lentamente la hoja de la sierra hacia la pieza de trabajo y corte ésta.
- Suelte el gatillo del interruptor y permita que se cese de girar la hoja de la sierra antes de levantarla de la pieza de trabajo. Espere hasta que el freno eléctrico detenga la hoja antes de retirar la pieza de trabajo de la sierra ingleteadora.

PARA APOYAR LAS PIEZAS DE TRABAJO LARGAS

Vea la figura 30.

Las piezas de trabajo largas necesitan soportes extra. Los soportes deben colocarse a lo largo de la pieza de trabajo de manera que no se pandee. El soporte debe permitir que la pieza permanezca horizontal en la base de la sierra y la mesa de trabajo durante el corte. Use la prensa de trabajo optativa o una prensa de mano para asegurar la pieza de trabajo.



ADVERTENCIA:

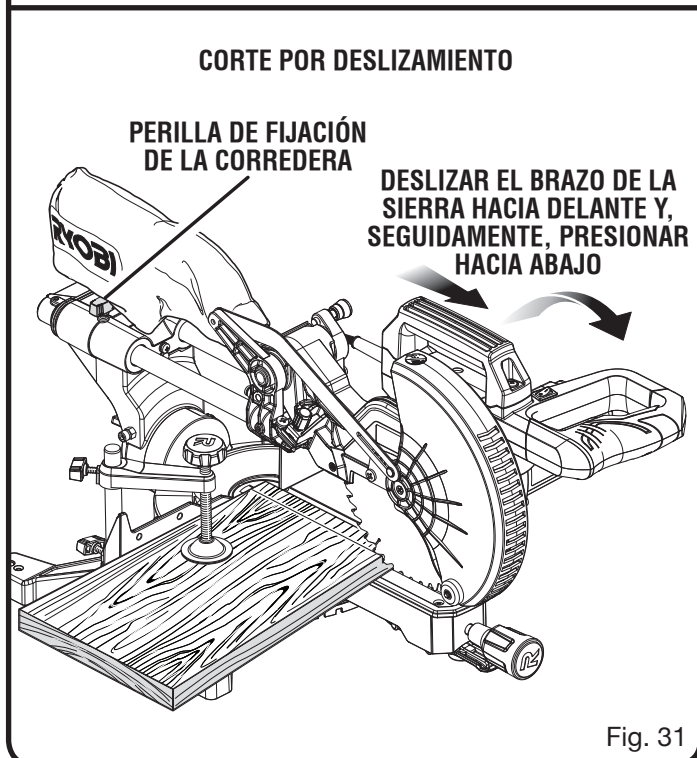
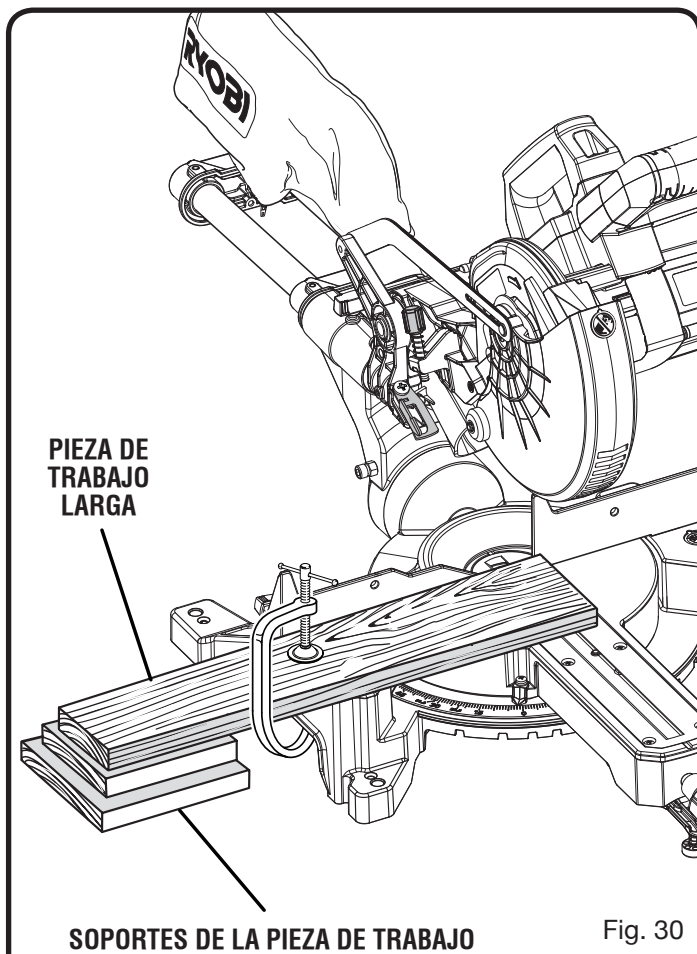
Nunca realice cortes tirando de la sierra hacia usted, ya que esto podría hacer que la hoja se montara sobre la pieza de trabajo, viniéndose hacia usted. La inobservancia de esta advertencia podría causar lesiones graves.

PARA HACER CORTES POR DESLIZAMIENTO

Vea las figuras 31 y 32.

The sliding feature will cut workpieces up to 1-1/2 in. thick and 9-1/4 in. wide. Con la sierra apagada, tire del brazo de la sierra hacia adelante. Encienda la sierra (deje que la hoja alcance la velocidad máxima) y a continuación presione la hoja hacia abajo y sobre la pieza de trabajo, y seguidamente presiónela hacia la parte trasera de la sierra para realizar el corte. Los cortes se realizan: presionando la hoja de la sierra en dirección opuesta a la de su cuerpo y hacia la escala de bisel situada en la parte trasera de la sierra, parando al alcanzar plenamente la posición posterior después de cada corte. Cuando la sierra este en marcha (encendida) **NUNCA** tire de la hoja de la sierra hacia usted ni hacia la parte delantera de la sierra.

- Suba el brazo de la sierra hasta su altura máxima.
- Coloque la pieza de trabajo horizontal en la mesa de ingletes, con un canto firmemente apoyado contra la guía. Si la tabla está doblada, coloque el canto convexo contra la guía. Si se coloca el canto cóncavo de la tabla contra la guía, la tabla podría venirse sobre la hoja al final del corte, atascándose. Vea las figuras 39 y 40.
- Al cortar tablas o molduras largas, apoye el extremo opuesto del material sobre un soporte de rodillo o sobre una superficie de trabajo a nivel con la mesa de la sierra. Vea la figura 30.
- Alinee la línea de corte de la pieza de trabajo con el borde de la hoja de la sierra o línea de LED.



FUNCIONAMIENTO

- Afloje la perilla de fijación de la corredera girándola en sentido antihorario.
- Sujete firmemente la pieza con una mano y asegúrela contra la guía. Use la prensa de trabajo o una prensa de mano para asegurar la pieza de trabajo siempre que sea posible.
- Antes de encender la sierra, efectúe una simulación de la tarea de corte, sólo para asegurarse de que no suceda ningún problema durante la tarea de corte real.
- Con la sierra apagada, sujete firmemente el mango de la sierra y tire de ella hacia delante hasta que el eje de la hoja (centro de la hoja de la sierra) haya sobrepasado la parte delantera de la pieza de trabajo o hasta que la sierra esté completamente extendida.
- Oprima el gatillo. Deje transcurrir varios segundos para que la hoja alcance su velocidad máxima.
- Baje lentamente la hoja de la sierra para que se introduzca y atraviese el canto delantero de la pieza del trabajo.
- Presione el mango de la sierra en dirección contraria a la de su cuerpo, y hacia la escala de biselés situada en la parte trasera de la sierra.
- Suelte el gatillo del interruptor y espere a que la hoja de la sierra deje de girar antes de levantarla de la pieza de trabajo y retirar la pieza de trabajo de la mesa de ingletes.

NOTA: Los cortes transversales se efectúan cortando a través de la veta de la pieza de trabajo. Un corte transversal recto se efectúa con la mesa de ingletes ajustada en la posición de 0°. Los cortes de inglete se efectúan con la mesa de ingletes puesta en un ángulo diferente de 0°.

FORMA DE HACER UNA GUÍA AUXILIAR

Vea la figura 33.

Puede ser útil el uso de una guía de ingletes de mayor grosor (guía auxiliar) para ciertos cortes inusuales, debido al tamaño y la posición de la pieza de trabajo. Los orificios que trae la guía de ingletes son exclusivamente para este propósito. Los orificios de la guía de ingletes se utilizan para asegurar la guía auxiliar, que, para realizarla, requiere dos piezas de madera de 19,05 mm de ancho x 63,5 mm de alto x 184 mm de largo (3/4 pulg. x 2-1/2 pulg. x 7-1/4 pulg.).

NOTA: La guía auxiliar sólo se puede utilizar cuando el ángulo del bisel está ajustado a 0°. Al realizar un corte en bisel, la guía auxiliar **DEBE** extraerse.

Para conectar la guía auxiliar a la sierra:

- Coloque un pieza de madera de 184 mm (7-1/4 pulg.) contra las esquinas unidas de la guía y alinee con el borde izquierdo de las esquinas unidas de la mesa y marque la posición de los orificio desde detrás de la guía, utilizando un lápiz.
- Haga orificios a través de la madera y avellánelos en la parte delantera de la pieza de madera.
- Asegure la madera a la guía de ingletes con pernos, arandelas, y tuercas.
- Haga un corte completo de 45° de la esquina izquierda a través del lado izquierdo de la guía auxiliar.

NOTA: Compruebe que la guía a auxiliar no interfiera con el protector inferior de la hoja. Corrija cualquier interferencia antes de proceder.

- Repita estos pasos con la segunda tabla alineándola con el lado derecho de las esquinas unidas de la mesa.

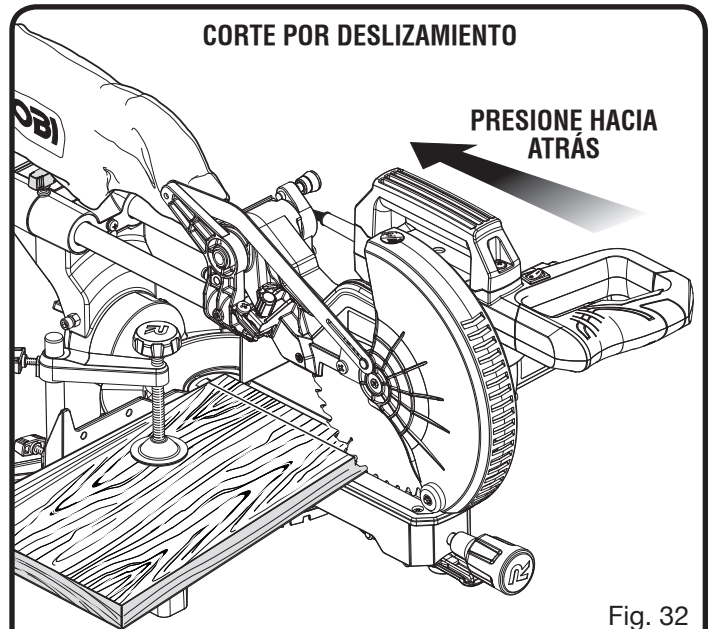


Fig. 32

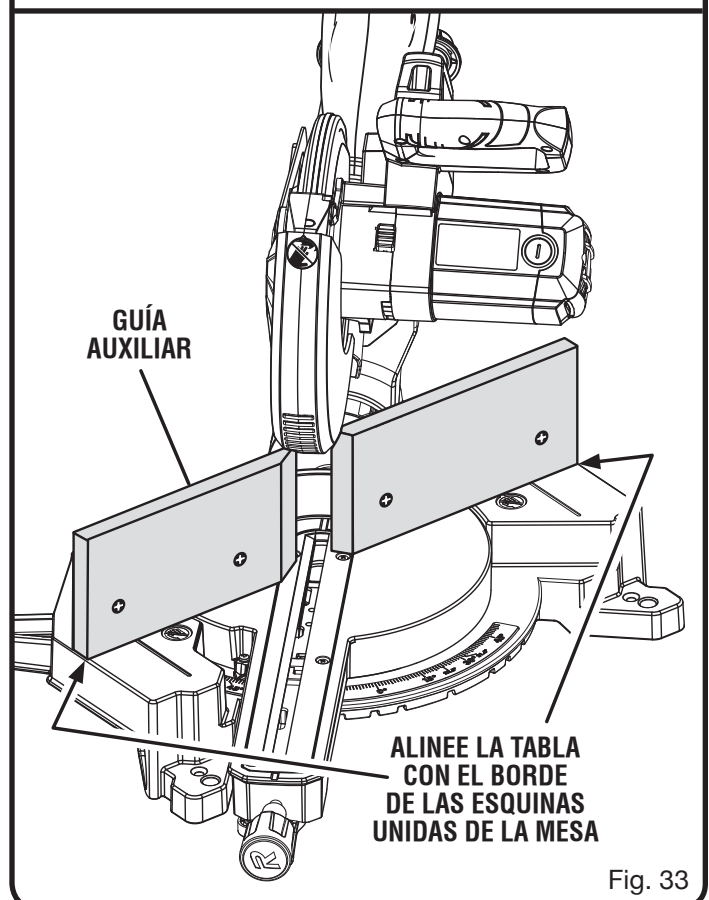


Fig. 33

FUNCIONAMIENTO

CÓMO EFECTUAR CORTES A INGLETE COMBINADOS

Como ayuda para realizar los ajustes correctos, se suministra la siguiente tabla de ángulos combinados. Puesto que los cortes combinados son los más difíciles de obtener, deben efectuarse cortes de prueba en material de desecho, así como una gran cantidad de reflexión y planeación, antes de efectuar el corte final.

| INCLINACIÓN DEL LADO | NÚMERO DE LADOS | | | | | | |
|----------------------|------------------------|------------------------|------------------------|------------------------|------------------------|------------------------|------------------------|
| | 4 | 5 | 6 | 7 | 8 | 9 | 10 |
| 0° | M- 45,00° B- 0,00° | M- 36,00° B- 0,00° | M- 30,00° B- 0,00° | M- 25,71° B- 0,00° | M- 22,50° B- 0,00° | M- 20,00° B- 0,00° | M- 18,00° B- 0,00° |
| 5° | M- 44,89° B- 3,53° | M- 35,90° B- 2,94° | M- 29,91° B- 2,50° | M- 25,63° B- 2,17° | M- 22,42° B- 1,91° | M- 19,93° B- 1,71° | M- 17,94° B- 1,54° |
| 10° | M- 44,56° B- 7,05° | M- 35,58° B- 5,86° | M- 29,62° B- 4,98° | M- 25,37° B- 4,32° | M- 22,19° B- 3,81° | M- 19,72° B- 3,40° | M- 17,74° B- 3,08° |
| 15° | M- 44,01° B- 10,55° | M- 35,06° B- 8,75° | M- 29,15° B- 7,44° | M- 24,95° B- 6,45° | M- 21,81° B- 5,68° | M- 19,37° B- 5,08° | M- 17,42° B- 4,59° |
| 20° | M- 43,22° B- 14,00° | M- 34,32° B- 11,60° | M- 28,48° B- 9,85° | M- 24,35° B- 8,53° | M- 21,27° B- 7,52° | M- 18,88° B- 6,72° | M- 16,98° B- 6,07° |
| 25° | M- 42,19° B- 17,39° | M- 33,36° B- 14,38° | M- 27,62° B- 12,20° | M- 23,56° B- 10,57° | M- 20,58° B- 9,31° | M- 18,26° B- 8,31° | M- 16,41° B- 7,50° |
| 30° | M- 40,89° B- 20,70° | M- 32,18° B- 17,09° | M- 26,57° B- 14,48° | M- 22,64° B- 12,53° | M- 19,73° B- 11,03° | M- 17,50° B- 9,85° | M- 15,72° B- 8,89° |
| 35° | M- 39,32° B- 23,93° | M- 30,76° B- 19,70° | M- 25,31° B- 16,67° | M- 21,53° B- 14,41° | M- 18,74° B- 12,68° | M- 16,60° B- 11,31° | M- 14,90° B- 10,21° |
| 40° | M- 37,45° B- 27,03° | M- 29,10° B- 22,20° | M- 23,86° B- 18,75° | M- 20,25° B- 16,19° | M- 17,60° B- 14,24° | M- 15,58° B- 12,70° | M- 13,98° B- 11,46° |
| 45° | M- 35,26° B- 30,00° | M- 27,19° B- 24,56° | M- 22,21° B- 20,70° | M- 18,80° B- 17,87° | M- 16,32° B- 15,70° | M- 14,43° B- 14,00° | M- 12,94° B- 12,62° |
| 50° | M- 32,73° B- 32,80° | M- 25,03° B- 26,76° | M- 20,36° B- 22,52° | M- 17,20° B- 19,41° | M- 14,91° B- 17,05° | M- 13,17° B- 15,19° | M- 11,80° B- 13,69° |
| 55° | M- 29,84° B- 35,40° | M- 22,62° B- 28,78° | M- 18,32° B- 24,18° | M- 15,44° B- 20,82° | M- 13,36° B- 18,27° | M- 11,79° B- 16,27° | M- 10,56° B- 14,66° |
| 60° | M- 26,57° B- 37,76° | M- 19,96° B- 30,60° | M- 16,10° B- 25,66° | M- 13,54° B- 22,07° | M- 11,70° B- 19,35° | M- 10,31° B- 17,23° | M- 9,23° B- 15,52° |
| 65° | M- 22,91° B- 39,86° | M- 17,07° B- 32,19° | M- 13,71° B- 26,95° | M- 11,50° B- 23,16° | M- 9,93° B- 20,29° | M- 8,74° B- 18,06° | M- 7,82° B- 16,26° |
| 70° | M- 18,88° B- 41,64° | M- 13,95° B- 33,53° | M- 11,17° B- 28,02° | M- 9,35° B- 24,06° | M- 8,06° B- 21,08° | M- 7,10° B- 18,75° | M- 6,34° B- 16,88° |
| 75° | M- 14,51° B- 43,08° | M- 10,65° B- 34,59° | M- 8,50° B- 28,88° | M- 7,10° B- 24,78° | M- 6,12° B- 21,69° | M- 5,38° B- 19,29° | M- 4,81° B- 17,37° |
| 80° | M- 9,85° B- 44,14° | M- 7,19° B- 35,37° | M- 5,73° B- 29,50° | M- 4,78° B- 25,30° | M- 4,11° B- 22,14° | M- 3,62° B- 19,68° | M- 3,23° B- 17,72° |
| 85° | M- 4,98° B- 44,78° | M- 3,62° B- 35,84° | M- 2,88° B- 29,87° | M- 2,40° B- 25,61° | M- 2,07° B- 22,41° | M- 1,82° B- 19,92° | M- 1,62° B- 17,93° |
| 90° | M- 0,00° B- 45,00° | M- 0,00° B- 36,00° | M- 0,00° B- 30,00° | M- 0,00° B- 25,71° | M- 0,00° B- 22,50° | M- 0,00° B- 20,00° | M- 0,00° B- 18,00° |

Cada cantidad, B (bisel) y M (inglete), se da con una tolerancia de 0,005°.

AJUSTES DE ÁNGULOS COMBINADOS PARA ESTRUCTURAS COMUNES

FUNCIONAMIENTO

CÓMO CORTAR MOLDURAS DE CORONA

La sierra ingleteadora compuesta realiza una labor excelente para cortes de molduras de corona. En general, las sierras para cortar ingletes compuestos realizan una labor mejor en el corte de molduras de corona que ninguna otra herramienta.

Con el fin de lograr un ajuste correcto, las molduras de corona deben cortarse a inglete compuesto con una precisión extrema.

Las dos superficies de contacto de una moldura de corona que queda horizontal contra el techo y la pared de un cuarto están en ángulos que, añadidos, equivalen a 90°. La mayoría de molduras de corona tienen un ángulo posterior superior (es la sección que queda horizontal contra el techo) de 52° y un ángulo posterior inferior (la sección que queda contra la pared) de 38°.

MOLDURA DE CORONA EN POSICIÓN HORIZONTAL EN LA MESA DE INGLETES

Vea la figura 34.

Para usar este método a fin de cortar con precisión molduras de corona para una esquina interior o exterior de 90°, coloque la moldura con su superficie posterior ancha horizontalmente sobre la mesa de ingletes y contra la guía.

Al ajustar los ángulos de bisel e inglete de sierras para cortar ingletes compuestos, recuerde que los ajustes son interdependientes; el cambio de un ángulo afecta al otro.

Tenga presente que los ángulos de las molduras de corona son muy precisos y difíciles de ajustar. Puesto que es muy fácil que estos ángulos cambien, todos los ajustes deben probarse primero en molduras de desecho. Asimismo, la mayoría de las paredes no tienen ángulos exactos de 90°, por lo tanto usted debe efectuar ajustes finos a los ángulos.

Al cortar molduras de corona con este método, el ángulo de bisel debe fijarse a 33,85°. El ángulo de inglete debe fijarse a 31,6°, a la derecha o izquierda, según el corte deseado para cada aplicación en particular. En la tabla mostrada a continuación encontrará los ajustes correctos de los ángulos y la colocación correcta de la moldura de corona en la mesa de ingletes. Los ajustes mostrados en la tabla siguiente pueden utilizarse para cortar molduras de corona 100% estándar ("All Standard" en EE.UU.) con ángulos de 52° y 38°. La moldura de corona se coloca horizontal sobre la mesa de ingletes usando las características de corte compuesto de su sierra ingleteadora compuesta.

| Bisel Ángulo Ajuste | Tipo de corte |
|---------------------------|---|
| 33,85° | Lado izquierdo, esquina interior 1. Canto superior de la moldura contra la guía 2. Mesa de ingletes a 31,62° a la derecha. 3. Guarde extremo izquierdo del corte |
| 33,85° | Lado derecho, esquina interior 1. Canto inferior de la moldura contra la guía 2. Mesa de ingletes a 31,62° a la izquierda. 3. Guarde extremo izquierdo del corte |
| 33,85° | Lado izquierdo, esquina exterior 1. Canto inferior de la moldura contra la guía 2. Mesa de ingletes a 31,62° a la izquierda. 3. Guarde extremo derecho del corte |
| 33,85° | Lado derecho, esquina exterior 1. Canto superior de la moldura contra la guía 2. Mesa de ingletes a 31,62° a la derecha. 3. Guarde extremo derecho del corte |

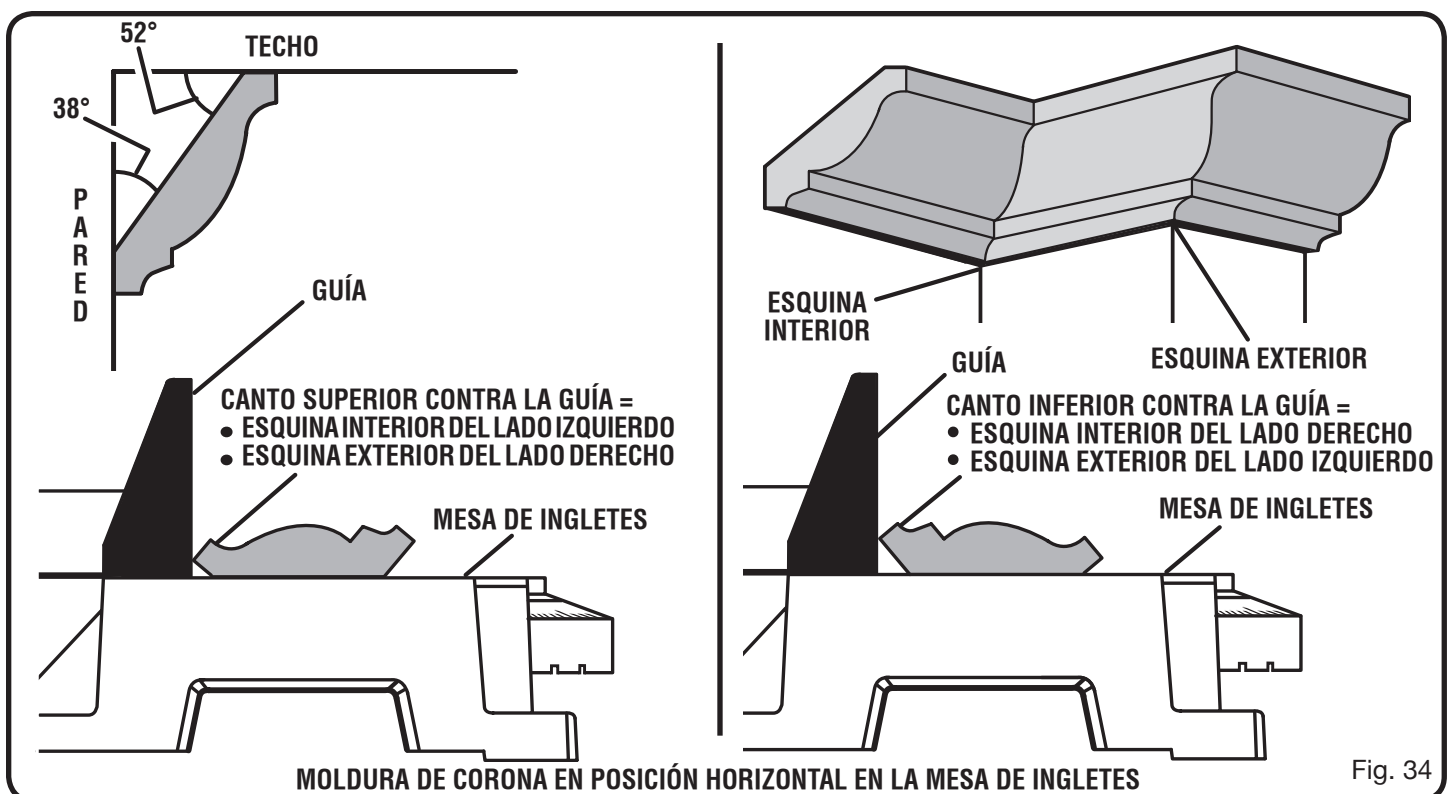


Fig. 34

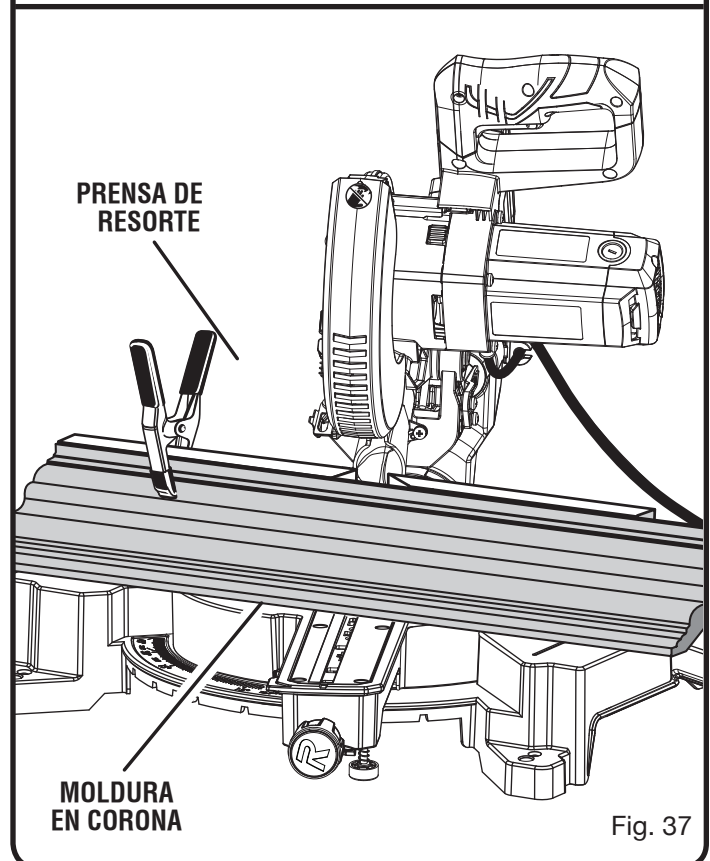
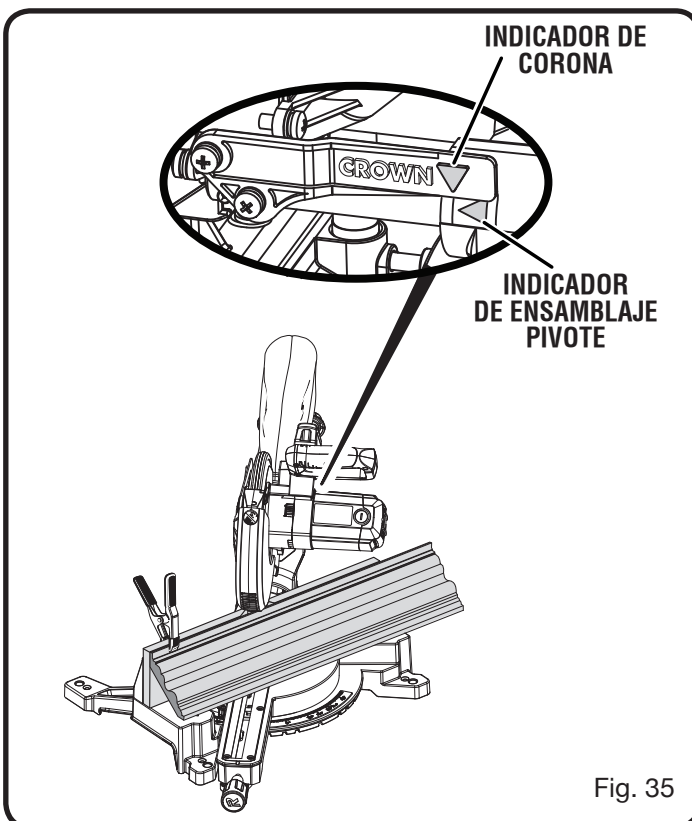
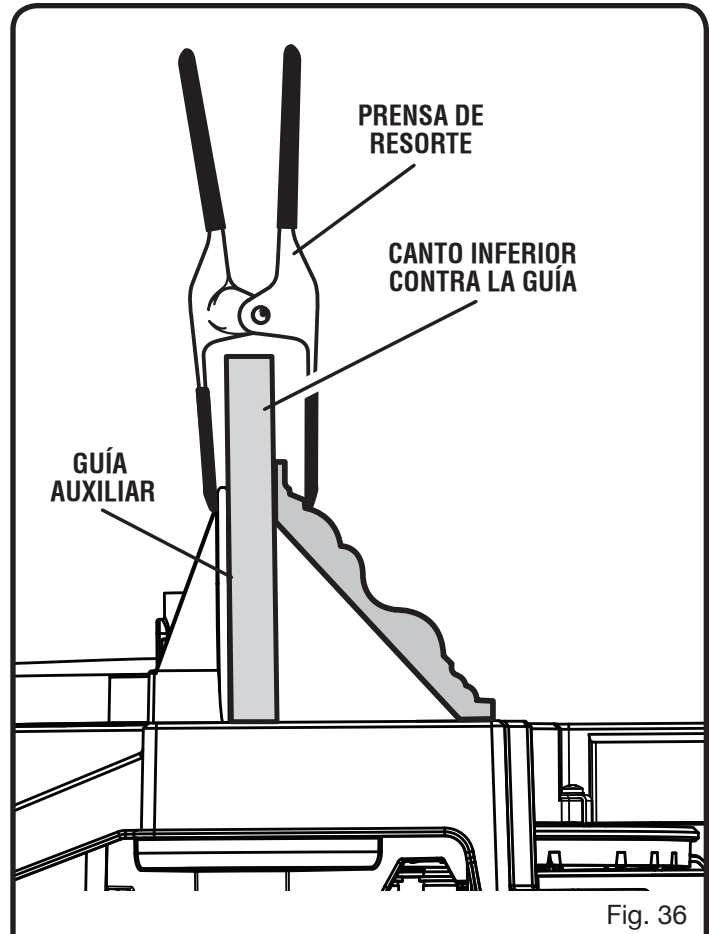
FUNCIONAMIENTO

ENCAJE DE MOLDURA EN CORONA CONTRA LA GUÍA DE INGLETE

Vea las figuras 35 y 37.

NOTA: Este método de corte es para moldura de corona de hasta 85,73 mm de alto (3-3/8 mm) al usar una guía auxiliar (según se describe en la página 24). No intente cortar moldura con una longitud mayor de 85,73 mm (3-3/8 mm).

- Ensamble y coloque la guía auxiliar como se describe en la figura 33.
- Alinee la flecha del indicador de corona con la flecha del ensamblaje pivote y, luego, ajuste la perilla de fijación deslizante con firmeza.
- Configure el ángulo del bisel en 0° y el ángulo del inglete en 45° hacia la izquierda o hacia la derecha. (Para realizar esquinas de 90°).
- Encaje y asegure moldura de la corona contra la guía de ingletes use la prensa de resorte y asegure la moldura corona.
- Antes de encender la sierra, efectúe una simulación de la operación de corte, sólo para asegurarse de que no suceda ningún problema durante la operación de corte real.
- Sujete firmemente el mango de la sierra. Presione el gatillo del interruptor. Permita transcurrir varios segundos para que la hoja alcance su velocidad máxima.
- Baje lentamente la hoja de a través de la moldura de la corona.



FUNCIONAMIENTO

CORTAR MOLDURA DE BASE DE MANERA VERTICAL CONTRA LA GUÍA DE INGLETES

Vea la Figura 38.

- Establezca el ángulo del bisel en 0° y el ángulo del inglete en 45° ya sea a la izquierda o a la derecha. (Para realizar esquinas de 90°).
- Coloque y asegure la moldura de base de modo vertical contra la guía utilizando una abrazadera con resorte y sostenga la moldura de base con firmeza.

NOTA: Para evitar interferencia entre la moldura de base y el motor, la moldura debe colocarse no más de 12,70 mm (0,50 pulg.) sobre la placa de la garganta al cortar moldura de base en ángulos de 45° a la derecha del inglete.

- Antes de encender la sierra, realice un simulacro de la operación de corte para asegurarse de que no haya problemas al realizar el corte.
- Agarre el mango de la sierra con firmeza. Apriete el gatillo del interruptor. Deje pasar varios segundos para que la hoja llegue a su velocidad máxima.
- Baje lentamente la hoja para cortar la moldura de base.

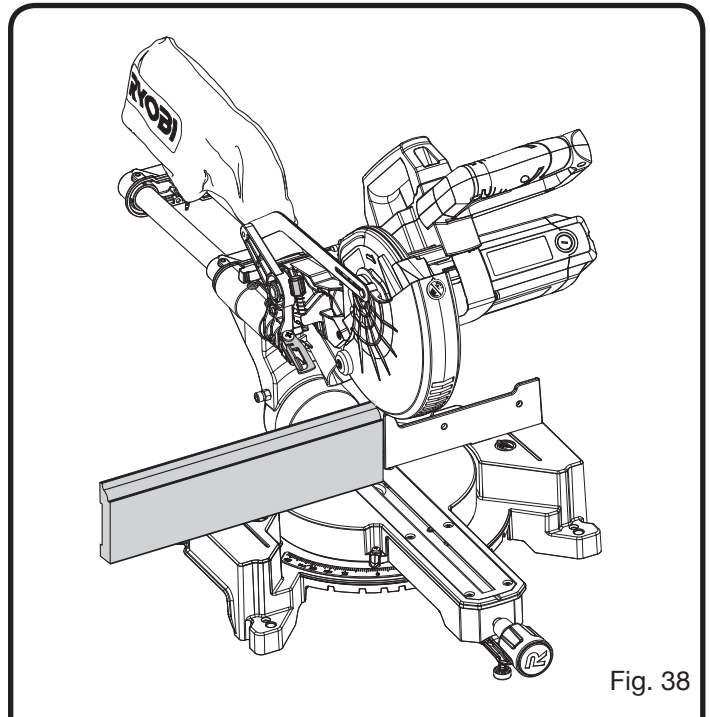


Fig. 38

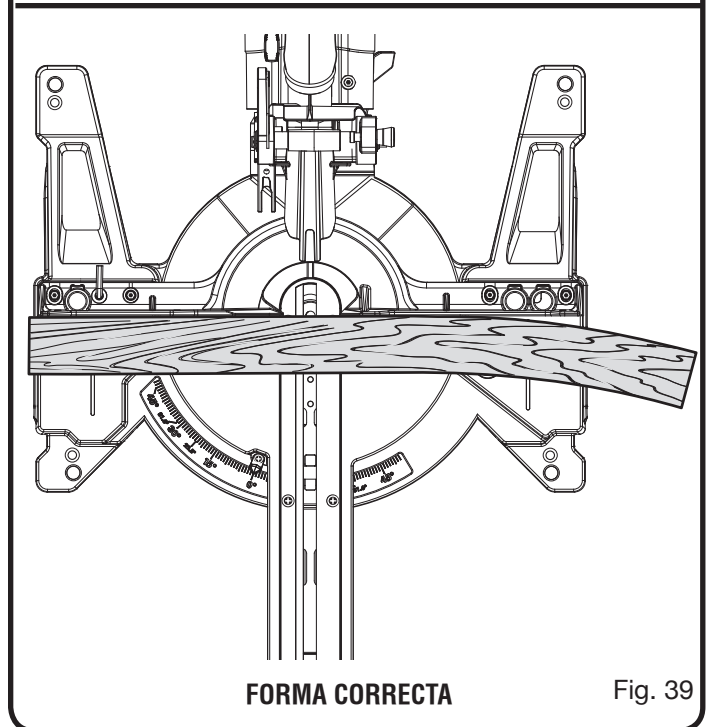


Fig. 39

FUNCIONAMIENTO

CÓMO CORTAR MATERIAL DISTORSIONADO

Veá las figuras 39 y 40.

Al cortar material distorsionado, siempre asegúrese de que esté colocado en la mesa de ingletes con el lado convexo contra la guía, como se muestra en la figura 39.

Si se coloca de una forma equivocada el material distorsionado, como se muestra en la figura 40, pellizcará la hoja al llegar al final del corte.



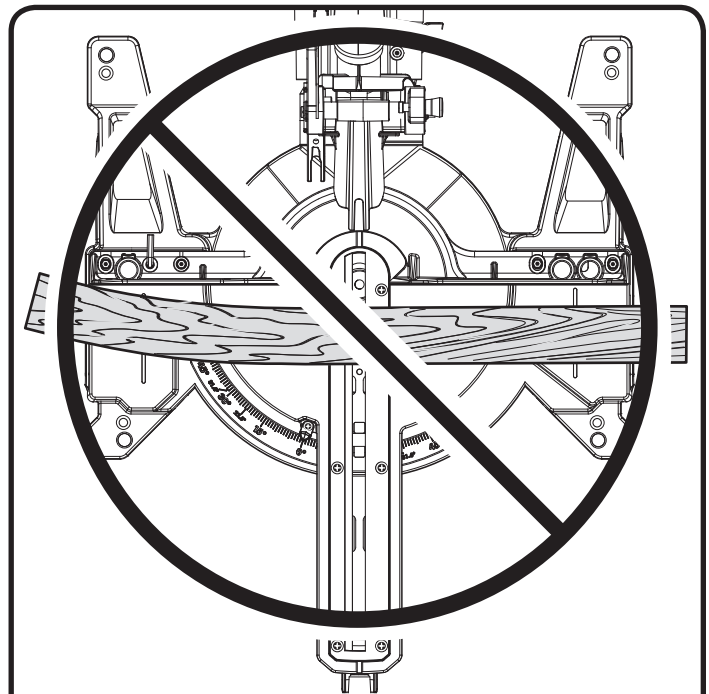
ADVERTENCIA:

Para evitar un contragolpe y posibles lesiones graves, nunca coloque el canto cóncavo de un material arqueado o distorsionado contra la guía.

SUJECIÓN DE PIEZAS ANCHAS

Veá la figura 41.

Al cortar piezas anchas, como las de 51 x 152 mm (2 x 6 pulg.), deben sujetarse con prensas de trabajo, como se muestra en la figura 41.



FORMA INCORRECTA

Fig. 40

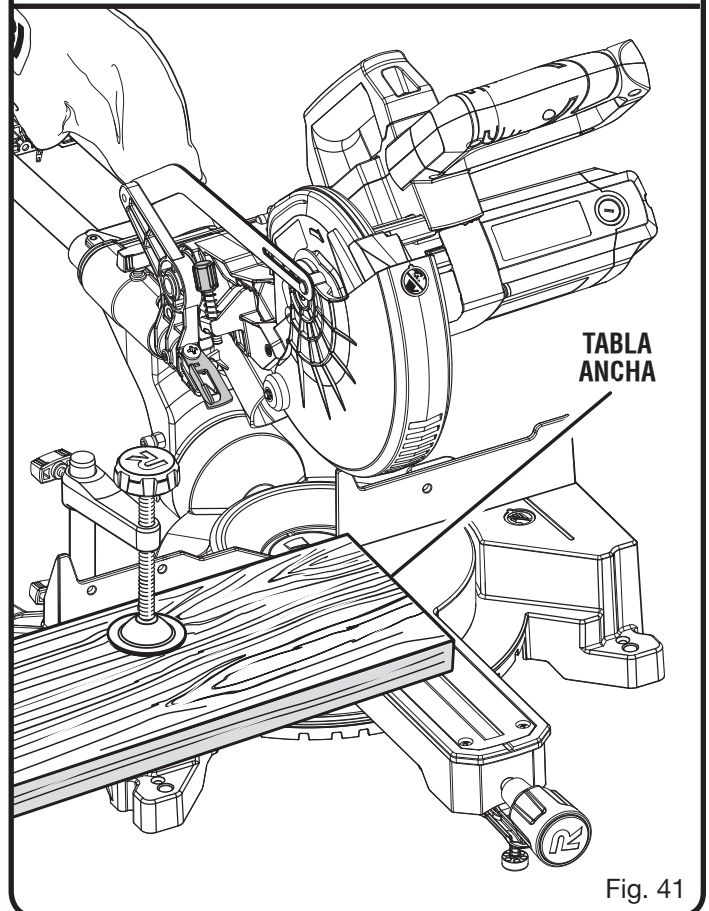


Fig. 41

AJUSTES

ADVERTENCIA:

Antes de efectuar cualquier ajuste, asegúrese de que la herramienta esté desconectada del suministro de corriente. La inobservancia de esta advertencia podría causar lesiones corporales serias.

La sierra ingleteadora combinada ha sido ajustada en la fábrica para producir cortes muy exactos. No obstante, algunos de los componentes podrían haberse desalineado durante el transporte. También, al paso del tiempo, probablemente será necesario un reajuste debido al desgaste. Después de desempaquetar la sierra, revise los siguientes ajustes antes de comenzar a utilizar la sierra. Realice todo reajuste necesario, y periódicamente revise la alineación de las piezas para asegurarse de que la sierra corte con precisión.

AJUSTES DE LOS PIVOTES

NOTA: Estos ajustes se realizaron en la fábrica y normalmente no requieren reajustarse.

AJUSTE DEL PIVOTE DE RECORRIDO

- El brazo de la sierra debe subir completamente por sí mismo hasta la posición superior.
- Si el brazo de la sierra no se levanta por sí mismo, o si hay juego en las articulaciones de pivote, lleve la sierra al **CENTRO DE SERVICIO AUTORIZADO** de su preferencia para su reparación.

AJUSTE DEL PIVOTE DE BISEL

- La sierra de ingletes combinada debe biselar fácilmente ajustando la perilla de seguridad del bisel e inclinando la sierra.
- Si el pivote se siente apretado o tiene juego, lleve la sierra al **CENTRO DE SERVICIO AUTORIZADO** de su preferencia para su reparación.

AJUSTE DE LOS TOPES

Vea la figura 42.

NOTA: Estos ajustes se realizaron en la fábrica y normalmente no requieren reajustarse.

Para ajustar:

- Desconecte la sierra.
- Afloje la perilla de fijación de bisel; para ello, gírela a la izquierda.
- Escuadre la hoja con respecto a la mesa de ingletes como se describe en la sección *Armado* de este manual.
- Si la hoja no está centrada, asegure la tuerca de sujeción en su lugar y afloje o apriete el tornillo de ajuste del tope positivo usando la llave de hoja suministrada.
- Vuelva a apretar la perilla de fijación de bisel. Vuelva a revisar la alineación de la hoja con la mesa.

NOTA: El procedimiento descrito arriba puede aplicarse para revisar el escuadrado de la hoja con la mesa de ingletes a 0° y a 45°.

La sierra ofrece varios indicadores de escala. Después de efectuar los ajustes de escuadrado, puede ser necesario aflojar los tornillos de los indicadores y reajustarlos a cero. Vea las figuras 19 y 20.

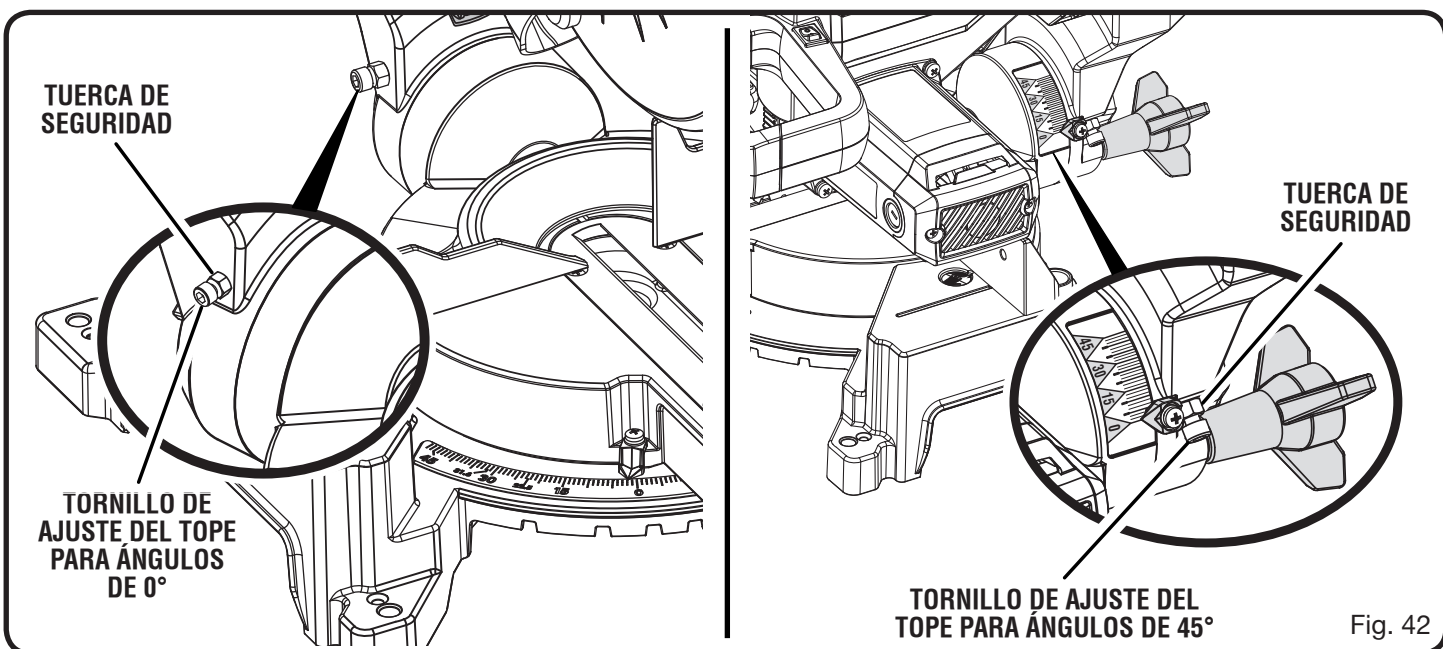


Fig. 42

MANTENIMIENTO

ADVERTENCIA:

Al dar servicio a la unidad, utilice sólo piezas de repuesto idénticas. El empleo de piezas diferentes puede presentar un peligro o causar daños al producto.

ADVERTENCIA:

Siempre póngase protección ocular con la marca de cumplimiento de la norma ANSI Z87.1. Si la operación genera mucho polvo, también póngase una mascarilla contra el polvo.

ADVERTENCIA:

Antes de efectuar cualquier ajuste, asegúrese de que la herramienta esté desconectada del suministro de corriente. La inobservancia de esta advertencia podría causar lesiones corporales serias.

MANTENIMIENTO GENERAL

Evite el empleo de solventes al limpiar piezas de plástico. La mayoría de los plásticos son susceptibles a diferentes tipos de solventes comerciales y pueden resultar dañados. Utilice paños limpios para eliminar la suciedad, el polvo, el aceite, la grasa, etc.

ADVERTENCIA:

No permita en ningún momento que fluidos para frenos, gasolina, productos a base de petróleo, aceites penetrantes, etc., lleguen a tocar las piezas de plástico. Las sustancias químicas pueden dañar, debilitar o destruir el plástico, lo cual a su vez puede producir lesiones corporales serias.

Las herramientas eléctricas que se utilizan en materiales de fibra de vidrio, paneles de yeso para paredes, compuestos de resanar o yeso, están sujetas a desgaste acelerado y posible fallo prematuro porque las partículas y limaduras de fibra de vidrio son altamente abrasivas para los cojinetes, escobillas, conmutadores, etc. Por consiguiente, no recomendamos el uso de esta herramienta durante períodos prolongados de trabajo en estos tipos de materiales. Sin embargo, si usted trabaja con cualquiera de estos materiales, es sumamente importante limpiar la herramienta con aire comprimido.

LUBRICACIÓN

Todos los cojinetes de esta herramienta están lubricados con suficiente cantidad de aceite de alta calidad para toda la vida útil de la unidad en condiciones normales de funcionamiento. Por lo tanto, no se necesita lubricación adicional.

REEMPLAZO DE LAS ESCOBILLAS

Veá la figura 43.

La sierra dispone de conjuntos de escobillas accesibles externamente, cuyo desgaste debe revisarse periódicamente.

Proceda como sigue cuando se requiera un reemplazo:

- Desconecte la sierra.
- Retire la tapa de la escobilla con un destornillador. El conjunto de cada escobilla tiene un resorte y salta al retirarse la tapa de la escobilla.
- Retire el conjunto de la escobilla.
- Efectúe una inspección para ver si hay desgaste. Reemplace ambas escobillas cuando una u otra tenga menos de 6 mm (1/4 pulg.) de carbón restante. No reemplace un solo lado sin reemplazar el otro.
- Vuelva a armar la unidad empleando conjuntos de escobillas nuevos. Asegúrese de que la curvatura de la escobillas corresponda a la del motor y de que las escobillas se muevan libremente en los tubos de las mismas.
- Asegúrese de que la tapa de la escobilla esté orientada correctamente (en línea recta) y colóquela.
- Apriete firmemente la tapa de la escobilla. **No** efectúe un apriete excesivo.

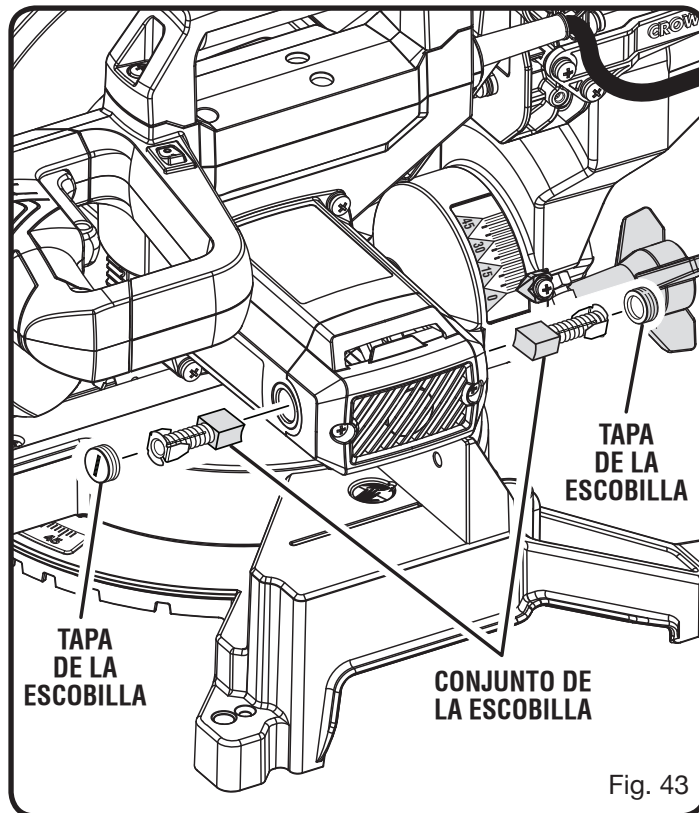


Fig. 43



OPERATOR'S MANUAL/SLIDING COMPOUND MITER SAW WITH LED
MANUEL D'UTILISATION/SCIE À ONGLETS COMBINÉS COULISSANTE AVEC DEL
MANUAL DEL OPERADOR/SIERRA INGLETEADORA COMPUESTA DESLIZANTE DIODO
TSS701

To request service, purchase replacement parts,
locate an Authorized Service Center and obtain Customer or Technical Support:

Visit **www.ryobitools.com** or call **1-800-525-2579**

If any parts or accessories are damaged or missing,
do not return this product to the store. Call **1-800-525-2579** for immediate service.

Please obtain your model and serial number from the product data plate.

This product is covered under a 3-year limited Warranty. Proof of purchase is required.

MODEL NUMBER _____ SERIAL NUMBER _____

RYOBI is a registered trademark of Ryobi Limited and is used pursuant to a license granted by Ryobi Limited.

Pour faire une demande de réparations ou obtenir des pièces de rechange, trouver un
Centre de réparations agréé pour obtenir un soutien technique ou le Service à la clientèle :

Visiter **www.ryobitools.com** ou en téléphonant au **1-800-525-2579**

Si des pièces ou accessoires sont manquantes ou endommagées, ne pas retourner
ce produit au magasin. Appeler immédiatement au **1-800-525-2579** pour obtenir de l'aide.

Inscrire les numéros de modèle et de série inscrits sur la plaque d'identification du produit.

Ce produit est couvert par une garantie limitée de trois (3) ans. Une preuve d'achat est exigée.

NUMÉRO DE MODÈLE _____ NUMÉRO DE SÉRIE _____

RYOBI est une marque déposée de Ryobi Limited et est utilisée en vertu d'une licence accordée par Ryobi Limited.

Para obtener servicio, comprar piezas de repuesto, localizar un centro de servicio autorizado
y obtener Servicio o Asistencia Técnica al Consumidor:

Visite **www.ryobitools.com** o llame al **1-800-525-2579**

Si hay alguna pieza ou accesorios dañada o faltante, no devuelva este producto a la tienda.
Llame al **1-800-525-2579** para servicio técnico inmediato.

Obtenga su modelo y número de serie de la placa de datos del producto.

Este producto está cubierto con una garantía limitada de 3 años. Se solicita prueba de la compra.

NÚMERO DE MODELO _____ NÚMERO DE SERIE _____

RYOBI es una marca registrada de Ryobi Limited y se utiliza conforme a una licencia otorgada por Ryobi Limited.

ONE WORLD TECHNOLOGIES, INC.

1428 Pearman Dairy Road, Anderson, SC 29625 • Phone 1-800-525-2579

États-Unis, Téléphone 1-800-525-2579 • USA, Teléfono 1-800-525-2579

www.ryobitools.com