



**10090LF**

## Single Handle Lavatory Faucet

### FEATURES:

- *Metal Lever Handle*
- *Washerless Cartridge*
- *100% Factory Pressure Tested*



### APPLICABLE STANDARDS/CODES:

*Specified model meets or exceeds the following:*

- *ANSI/ASME A112.18.1*
- *ANSI/NSF 61 – Sec. 9*
- *cUPC*
- *ADA*



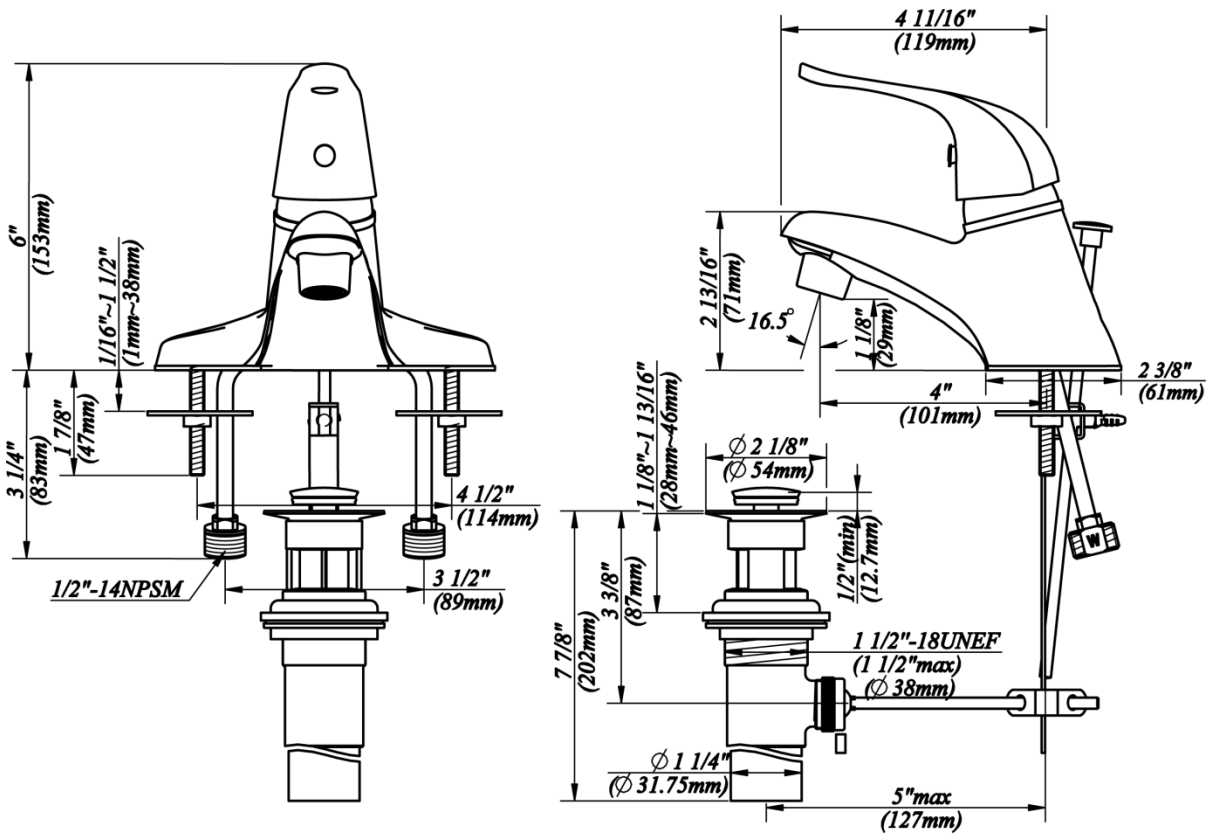
### AVAILABLE FINISHES:

*CP = Polished Chrome Finish*

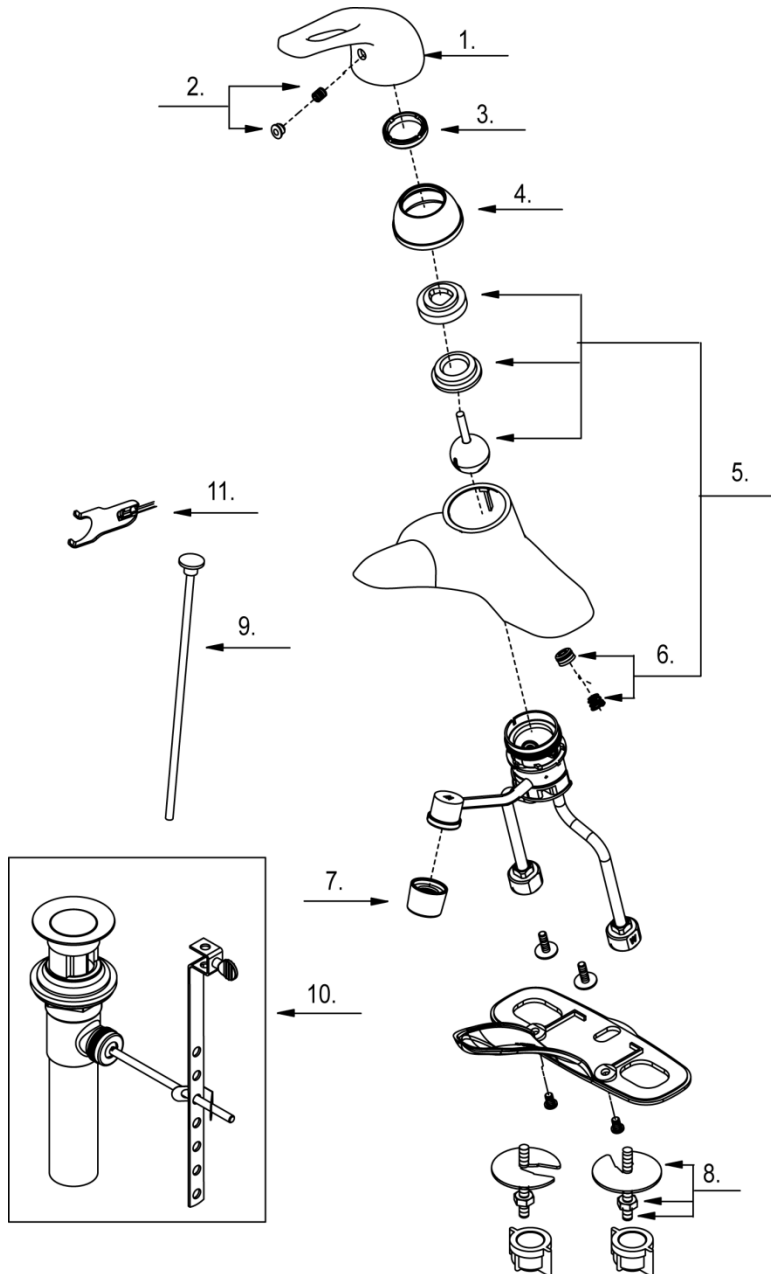
### SPECIFIED MODEL:

Model	Description	Finish
10090LF	Single handle lavatory faucet (with brass pop-up)	CP

**PRODUCT SPECIFICATION DIAGRAM**



**EXPLODED DRAWING**





**10090LF**

## **PARTS LISTING**

<b>No.</b>	<b>Part Name</b>	<b>Part No.</b>
1	Metal handle	A029080
2	Index Button-Cold/Hot	A66D567
3	Locking Nut	A104001
4	Trim Cap	A103022
5	Ball Valve Assembly	A66D641N
6	Seat & Spring Set *2	A663002
7	Aerator	A500871N-51
8	Mounting Hardware	A663638
9	Lift Rod	A025011
10	Pop-up Assembly	A556200
11	Wrench	A031001NI