



Product Features:

- Air Activated Push Button
- Three Attractive Finishes
- Easy Set-up and Installation
- Contemporary Design
- 1-Year Manufacturer Warranty

Garbage Disposal Push Button

Models: (GDABS-CH) Chrome, (GDABS-ORB) Oil-Rubbed Bronze, (GDABS-BN) Brushed Nickel



For easy installation of your Dyconn Faucet please do the following:

- Thoroughly **read all** instructions before installing the enclosed faucet.
- **Read and understand** all warnings, care and maintenance information.

www.dyconnfaucet.com



Product Specifications & Features

Product Specifications/Features

CAREFULLY READ THIS INSTRUCTION MANUAL BEFORE INSTALLING AND USING THIS PRODUCT.

PLEASE KEEP THIS INSTRUCTION MANUAL FOR FUTURE REFERENCE FOR PRODUCT OPERATION AND MAINTENANCE.

IMPORTANT

Always operate this product from a power source of the same voltage, frequency and rating.

Do NOT operate this product if the power cord is damaged, or if the product appears damaged in any manner.

Do NOT immerse or expose any part of this product to any liquid or expose its electrical components to excessive moisture. Also, do NOT install this product's electrical assembly near basins or other vessels containing water or other liquids.

Specifications:

1.75" x 2.5" x 1.75" (W*H*D) - Push Button

5-Foot Air Tubing

Color/Finish - Polished Chrome, Oil-Rubbed Bronze, Brushed Nickel

Features:

- Air Activated Push Button
- Convenient Alternative to Wall Switch
- Three Attractive Finishes - Polished Chrome, Oil-Rubbed Bronze, Brushed Nickel
- Easy Set-up and Installation
- Contemporary Design
- 1-Year Manufacturer Warranty

Package Contents:

- 1 - Push Button Assembly
- 1 - 5-Foot Air Tubing
- 1 - Push Button Power Wall Adapter

Product Description & Helpful Tips

Product Description & Helpful Tips

The **Dyconn Faucet Garbage Disposal Push Button** is a convenient and attractive kitchen accessory that can be easily mounted to any sink or countertop – perfect for island installation. Enjoy quick and easy accessibility to garbage disposal functionality while complimenting the look of your kitchen decor. Easy On and Off button functionality affords easy operation and is a great alternative to a wall switch. Customizing the look of your kitchen is facilitated by easy interchangeability of the push button assembly, making matching the decor of your kitchen an easy and enjoyable process.

Push Button Customization

Please note the Dyconn Faucet Garbage Disposal Push Button assembly can be easily removed and re-installed for personal customization. Other attractive Push Button finishes can be purchased from reputable Dyconn Faucet resellers. Visit <http://dyconn-faucet.com/index.php/wheretobuy> for a list of Dyconn Faucet resellers.

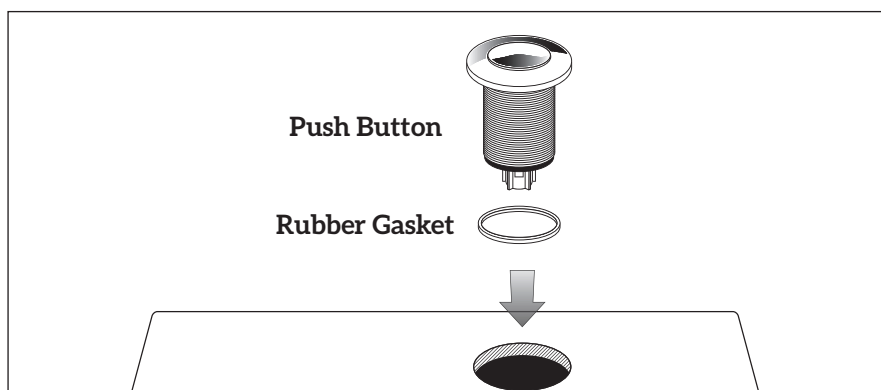


WARNING: Should malfunction of the push button operation and/or system occur during use, immediately unplug the garbage disposal from the Push Button Power Wall Adapter. **DO NOT PLACE ANY BODY PART** or object inside the garbage disposal blade compartment.

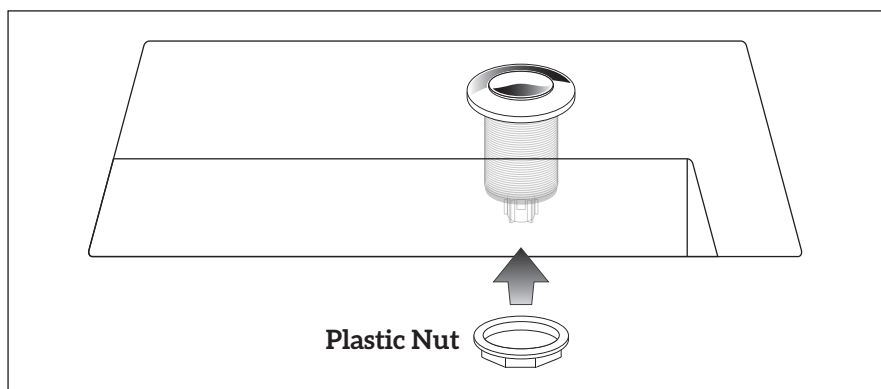
Step 1: Mounting the Push Button

- A. Mount the Push Button through a standard countertop hole. Make sure the attached rubber gasket is installed between the countertop and the push button. The use of an existing soap dispenser countertop hole will suffice, granted the hole is 1-1/4" in diameter.

If installation of a hole for the Push Button is required, simply drill a 1-1/4" diameter hole through the countertop. Proceed to install the push button and rubber gasket.



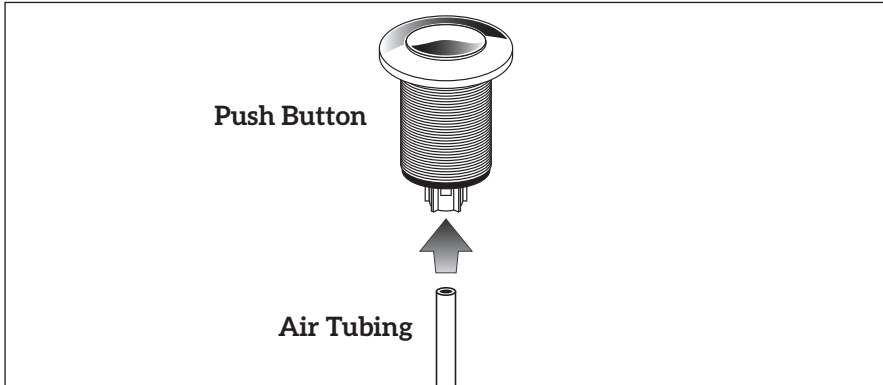
- B. Screw the plastic nut onto the push button from underneath the sink countertop to secure the Push Button in place and ensure a watertight seal.



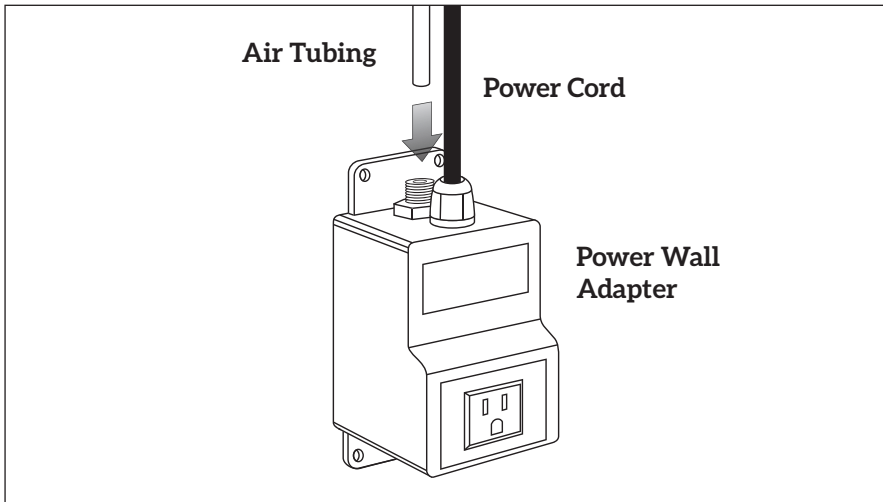
Installation Steps

Step 2: Installing the Air Tubing

- A. Firmly push and install one end of the air tubing into the female connector, located on the bottom of the push button.

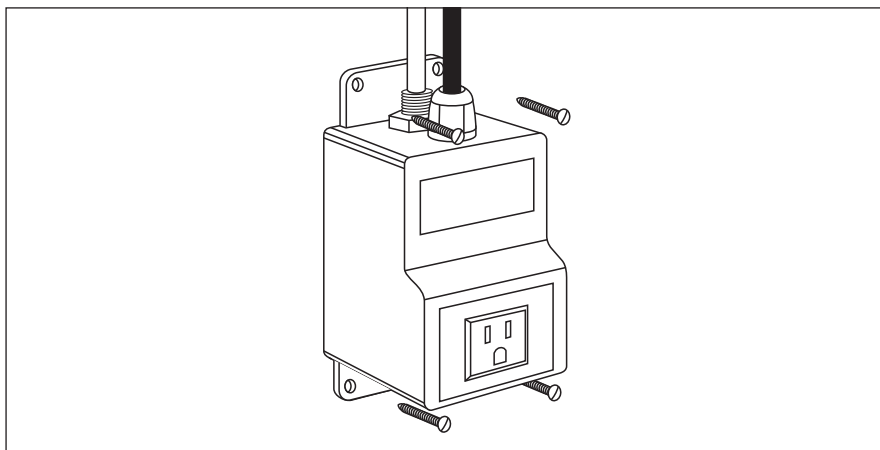


- B. Measure the distance from the push button to the dedicated location where the Push Button Power Wall Adapter will be installed . If required, cut the air tubing and insert the open end to the female connector on top of the Push Button Power Wall Adapter.

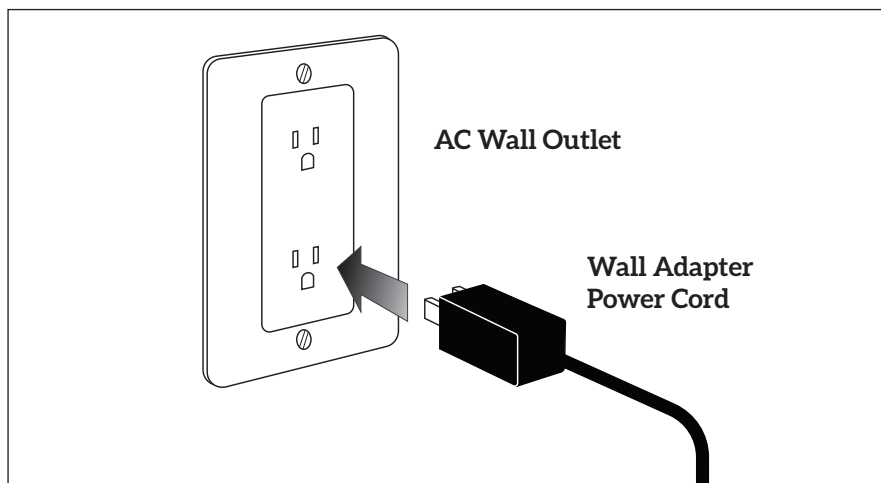


Step 3: Installing the Power Adapter

- A. Use the 4 screws and insert them into the screw ports on the Push Button Power Adapter. Screw the 4 screws into a designated wall surface, securing the power adapter in place.



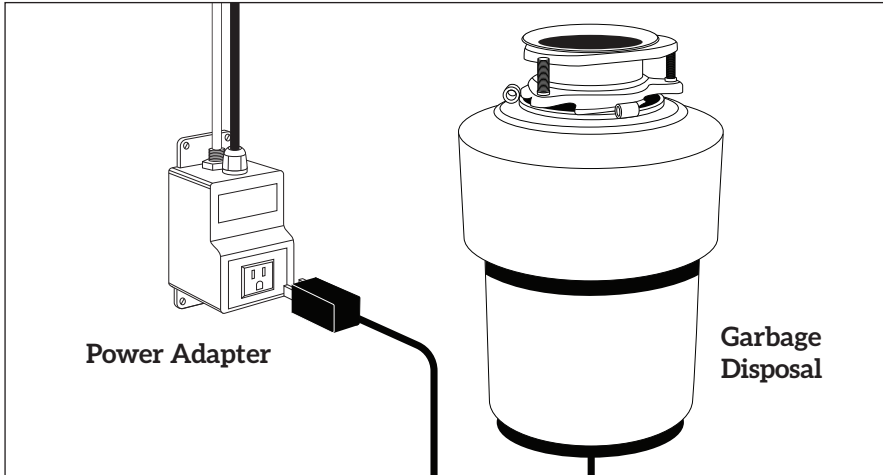
- B. Plug the Push Button Power Wall Adapter's power cord into a grounded 120V AC outlet.



Installation Steps

Step 4: Connecting the Garbage Disposal

A. Plug the garbage disposal power cord into the Push Button Power Wall Adapter.

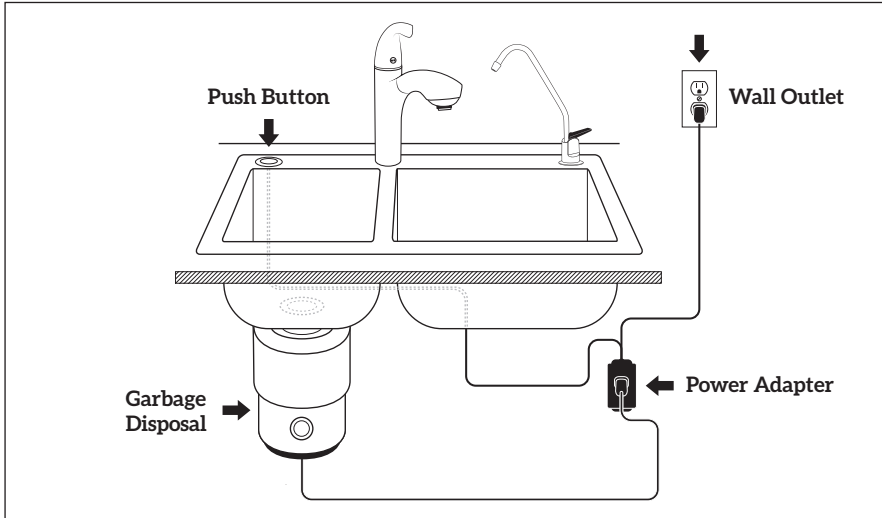


CAUTION: Garbage Disposal may start when the disposal cord is plugged into the Push Button Power Wall Adapter. Push the Push Button once to stop the garbage disposal.

Installation Diagram

Installation Assembly Diagram

The illustration below represents the typical installation assembly.

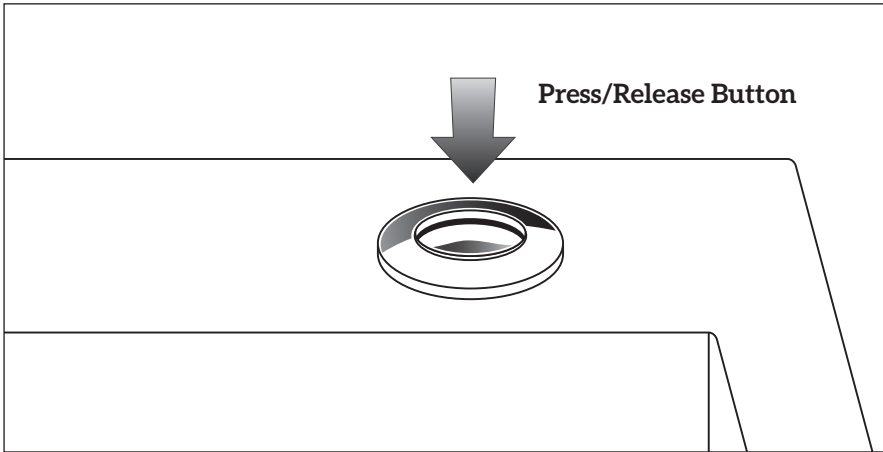


IMPORTANT: When and if a foreign object falls into the sink's garbage disposal blade compartment, or should cleaning of the garbage disposal be desired, immediately unplug the garbage disposal power cord from the Push Button Power Wall Adapter. **DO NOT PLACE YOUR HAND OR ANY BODY PART INTO THE GARBAGE DISPOSAL** while it is On or plugged into the Push Button Power Wall Adapter.

Push Button Operation

Operating the Push Button

- A. Press and release the Push Button to turn On garbage disposal.
- B. Press and release the Push Button again to turn Off garbage disposal.





Manufacturer Limited Warranty

All Dyconn Faucet products are manufactured and tested with the highest quality standards and rigorous quality control process. This warranty is limited to the non-commercial use of Dyconn Faucet products purchased and installed in the United States and Canada.

Dyconn Faucet Brand Limited Warranty on Faucets and Kitchen/Bath Accessories

Dyconn Faucet warrants its faucet products to be free from manufacturing defects in material and workmanship during the normal non-commercial use for a period of three (3) years from the initial purchase date by the original owner/end-user for personal household use. Dyconn Faucet also warrants its part and accessory products to be free from manufacturing defects in material and workmanship during the normal non-commercial use for a period of one (1) year from the initial purchase date by the original owner/end-user for personal household use. This warranty is non-transferable between homes or owners and only applicable for residential use. Any commercial or industrial use of Dyconn Faucet products automatically voids the warranty. Any warranty claim must include the original sales receipt as proof of purchase from an Authorized Dealer or Distributor of Dyconn Faucet products. (Authorized Dealers can be found on the Dyconn Faucet website).

Dyconn Faucet recommends installation of all Dyconn Faucet products by a licensed professional plumber. Dyconn Faucet will not be responsible for any damage or product failure due to improper installation, misuse or the failure to adequately utilize a licensed professional. Proper care and maintenance for all products is standard, like any other household appliance and fixtures to ensure proper function and a lasting product. Instructions are provided in your manual on proper care and maintenance of Dyconn Faucet products.

This warranty will not cover any damages that might be caused by the product. (In some instances States do not allow for such limitations, so this may not apply to all owners).

Any product reported to Dyconn Faucet as defective will be repaired or replaced (with a product of equal value) at the option of Dyconn Faucet. If Dyconn Faucet is not able to replace or repair the product, Dyconn Faucet may elect to refund the original purchase price to the original purchaser in exchange for the return of product. Dyconn Faucet has the full rights to inspect any Dyconn Faucet product reported as defective prior to repair or replacement. Any repair and replacement costs EXCLUDE shipping, labor for removal or re-installation and any consequential or special damages associated with return, replacement and installation of your product. Replacement parts may be obtained by calling **1-855-239-2666** (in the U.S. and Canada), by emailing us at **info@dyconnfaucet.com** or writing to:

Dyconn Faucet
382 N. Lemon Avenue #122
Walnut, CA 91789

Dyconn Faucet reserves the rights to modify the warranty at any time, it being understood that any such modifications will not supersede warranty conditions that are applicable at the time of the original sale of products in question.

Though Dyconn Faucet products are certified by various agencies, Dyconn Faucet makes no implication that products comply with any or all local building or plumbing codes. It is the consumer's responsibility to determine any code compliances when installing and using Dyconn Faucet products.

Limitations of Warranty:

The warranty shall be not apply and be void for incorrect operating procedures, breakages and/or damages caused by fault through improper installation, carelessness, abuse, misuse, misapplication, improper maintenance and alteration of product; damages caused by chemicals, natural corrosion, accident, fire, flood, an act of God, or any casualty. Avoid abrasive cleaners, materials, steel wools and harsh chemicals as these will scratch, damage, and/or dull the products and/or finish of the products and void the warranty. The proper installation of product covered is the responsibility of the original owner/purchaser of the product. Dyconn Faucet neither installs nor supervises the installation nor hires contractors for this purpose; consequently Dyconn Faucet cannot be held responsible for any default breakage, or damages caused thereby or resulting thereof, either directly or indirectly.

This warranty does not apply to Products that have not been installed or operated in accordance with instructions supplied by Dyconn Faucet and all applicable rules, regulations, and legislation pertaining to such installations.

This warranty does not apply to Commercial or Industrial applications of Dyconn Faucet products.

Dyconn Faucet is not responsible or liable for personal injuries or deaths to any person for any direct, special, incidental, or consequential damage, loss of time, loss of profits, inconvenience, incidental expenses, labor or material charges, or any other cost resulting from the use of the product or equipment or pertaining to the application of the present warranty, or resulting from the removal or replacement of any product or element or part covered by this warranty.

In any case, Dyconn Faucet is not liable for any amount over and above the purchase price paid for the Product by the original owner/end-user.

Cleaning and Care

Care should be exercised when cleaning this product. Although its finish is extremely durable, it can be damaged by harsh abrasives and cleaning pads. To clean, use a light, non-abrasive cleaning solution or cleaning polish.



The logo for DYCONN, featuring a blue square icon with a white stylized 'D' shape on the left, followed by the word 'DYCONN' in a bold, black, sans-serif font.