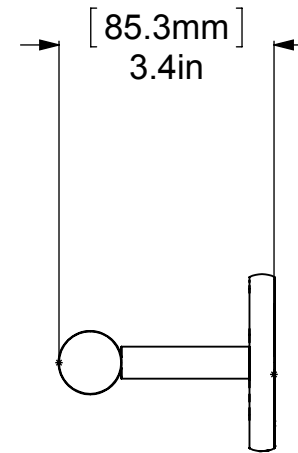
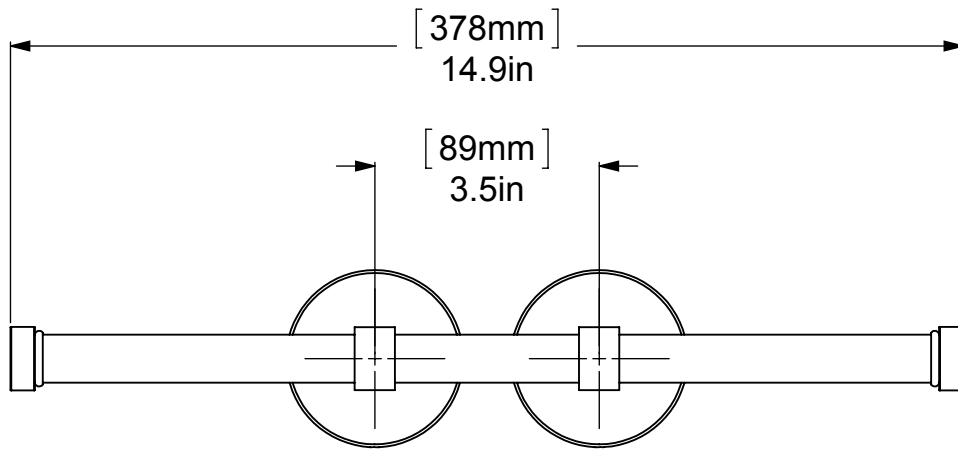
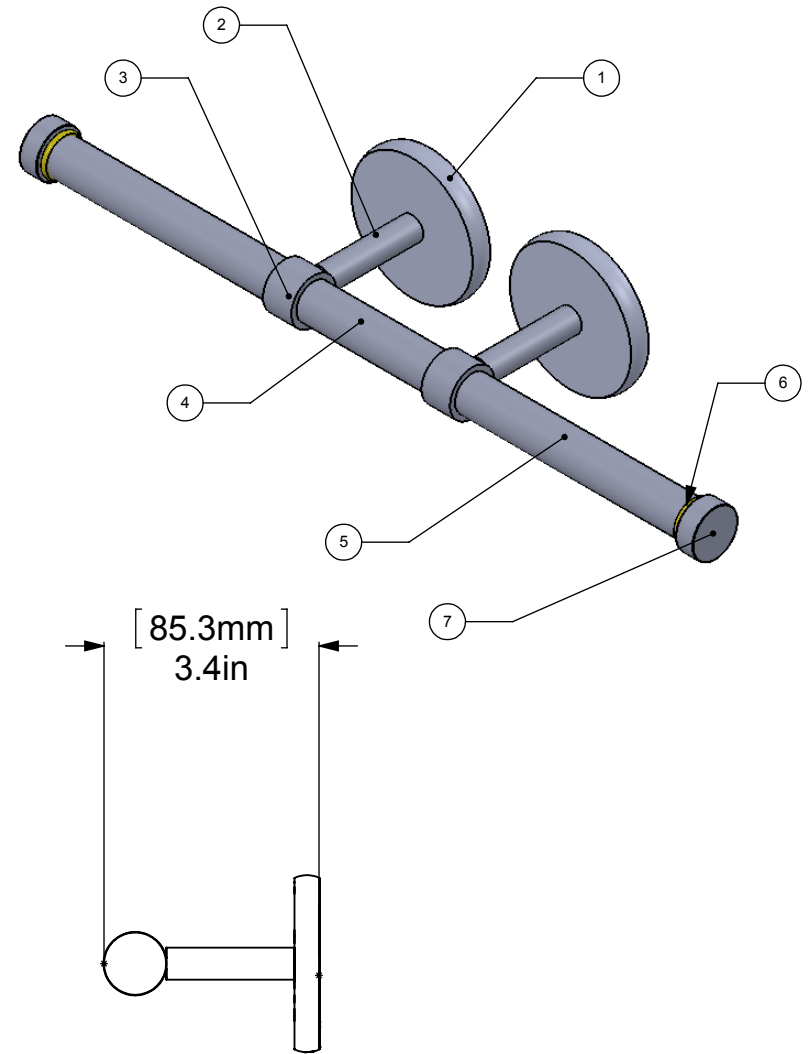


ITEM NO.	P/N	Description	QTY.
1	BPRD	BACKPLATE	2
2	TU12-2	Neck	2
3	HB1T-1	HUB	2
4	TU34-3	MID TUBE	1
5	TU34-5	SIDE TUBE	2
6	CRRD-34	CHECK RING	2
7	CARD-1	END CAP	2




UNLESS OTHERWISE STATED

.X	$\pm .3\text{mm}$
.XX	$\pm .15\text{mm}$
.XXX	$\pm .008\text{mm}$

COPYRIGHT © Allied Brass 2016



THIRD ANGLE PROJECTION

DRAWN	6/12/2016	I.M	MATERIAL:	BRASS	FINISH	TBD
CHECKED	6/12/2016	P.D	DESCRIPTION:		QUANTITY	TBD
APPROVED	6/12/2016	R.A	TOILET TISSUE HOLDER		DRAWING No.	REV
					P1000-24-2	0
				SCALE	1:3	SHEET: 01 A4