

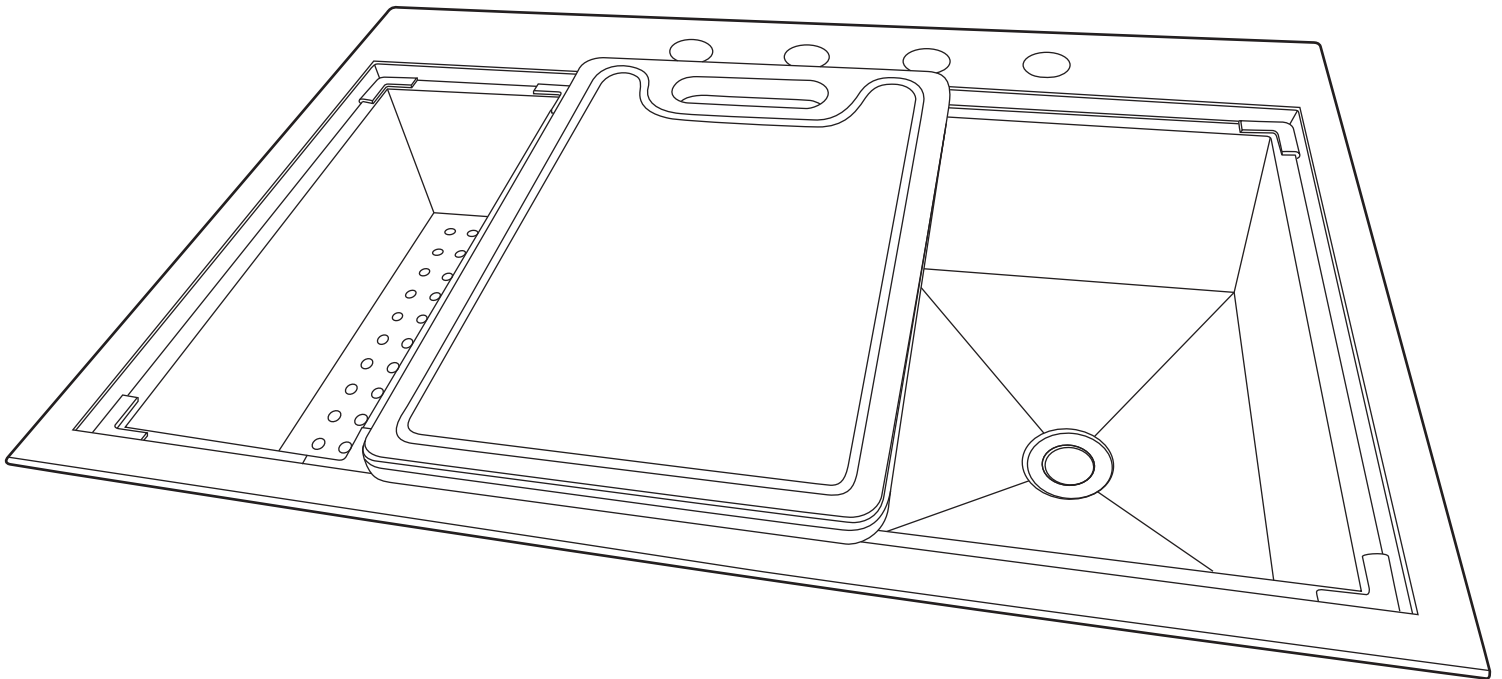


GLACIER BAY[®]

Item #QK053
Model #7OTH036STS

USE AND CARE GUIDE

STAINLESS STEEL KITCHEN WORK CENTER KIT



Questions, problems, missing parts?
Before returning to the store, call Glacier Bay Customer Service
8 a.m.–6 p.m., EST, Monday–Friday

1-877-527-0313

HOMEDEPOT.COM

THANK YOU

We appreciate the trust and confidence you have placed in Glacier Bay through the purchase of this stainless steel kitchen work center. We strive to continually create quality products designed to enhance your home. Visit us online to see our full line of products available for your home improvement needs. Thank you for choosing Glacier Bay!

Table of Contents

Table of Contents	2	Installation	6
Safety Information	2	Undermount	6
Warranty	3	Topmount	9
One-Year Manufacturer Defect Warranty	3	Garbage Disposer (Optional)	11
Warranty Claim Procedure	3	Operation	11
Pre-Installation	4	Care and Cleaning	12
Planning Installation	4	Sink, Sliding Sink, and Colander	12
Tools Required	4	Cutting Board	12
Parts Required	4	Service Parts	13
Package Contents	5		

Safety Information

1. Your installation must comply with all local plumbing building codes. Have a qualified tradesman do or approve your plumbing installation.
2. Please carefully read this guide before installing or using this product. Store this guide in a safe place so you will know where it is when you want to refer to it.

	CAUTION: Always wear safety goggles and gloves during installation to prevent personal injury.
---	---

Warranty

ONE-YEAR MANUFACTURER DEFECT WARRANTY

This stainless steel kitchen work center kit is warranted to the original purchaser to be free of defects in material and workmanship for one (1) year from the date of purchase.

Our obligation shall be limited to the repair or replacement of a unit (at our discretion) that may prove, by our sole examination, to be defective under normal use and service during the warranty period. We may issue credit in the amount of the invoice value of the defective product (or a percentage of it according to use) in lieu of repair or replacement.

Any failure of this product that is not traceable to a defect in material or workmanship is not covered by this warranty. These non-warrantable items include, but are not limited to:

- Change in colour or finish due to chemical usage
- Damage due to the use of steel wool on the stainless steel surface
- Improper installation not in accordance with the manufacturer's instructions
- Dents, bumps, and scratches incurred during shipping, handling, or installation
- Damage caused by failure to follow care and cleaning guidelines
- Alterations made to the unit by the purchaser or installer
- Damage caused by accidental impact, fire, flood, freezing, or normal wear
- Bends and warping caused by forced connections, over-tightened fittings, and inadequate support during installation

A thorough inspection must be made before installation and any damage must be promptly reported. We will not be liable for failures or damage that could have been discovered or avoided by proper inspection and testing prior to installation.

Incidental repairs that would involve a minimum of time and effort on behalf of the purchaser will not be considered warranty work and no compensation will be deemed forthcoming.

This warranty is non-transferable and shall be voided if the unit is removed from its initial installation or if it is not installed following the manufacturer's instructions.

Under no circumstance shall we be held liable for personal injury or property damage resulting from improper installation or use of this product. We will not be held liable for inconvenience caused by loss of use of this product, costs incurred for labour or materials, removal and installation of replacement units, or any other incidental or consequential damages. Costs relating to obtaining access for repair or replacement are the responsibility of the user.

This warranty does not extend to commercial and institutional installation or use.

WARRANTY CLAIM PROCEDURE

If a claimable defect occurs, please contact our customer service team at 1-877-527-0313, 8 a.m.–6 p.m., EST, Monday–Friday.

Before you make your claim call, please ensure you have:

- Description of the kitchen work center
- Proof of sale
- Details regarding the defect
- Name(s) and address(es) of the owner and installer

Claims must be filled out in writing and returned within six (6) months of the appearance of a defect. Failure to comply with this stipulation will make this warranty null and void. We reserve the right to a thirty-day (30) delay following the receipt of a claim in which to inspect the product. We assume no responsibility for labour costs, removing or replacing a previously installed product, transportation, or the return of a product.

Pre-Installation

PLANNING INSTALLATION

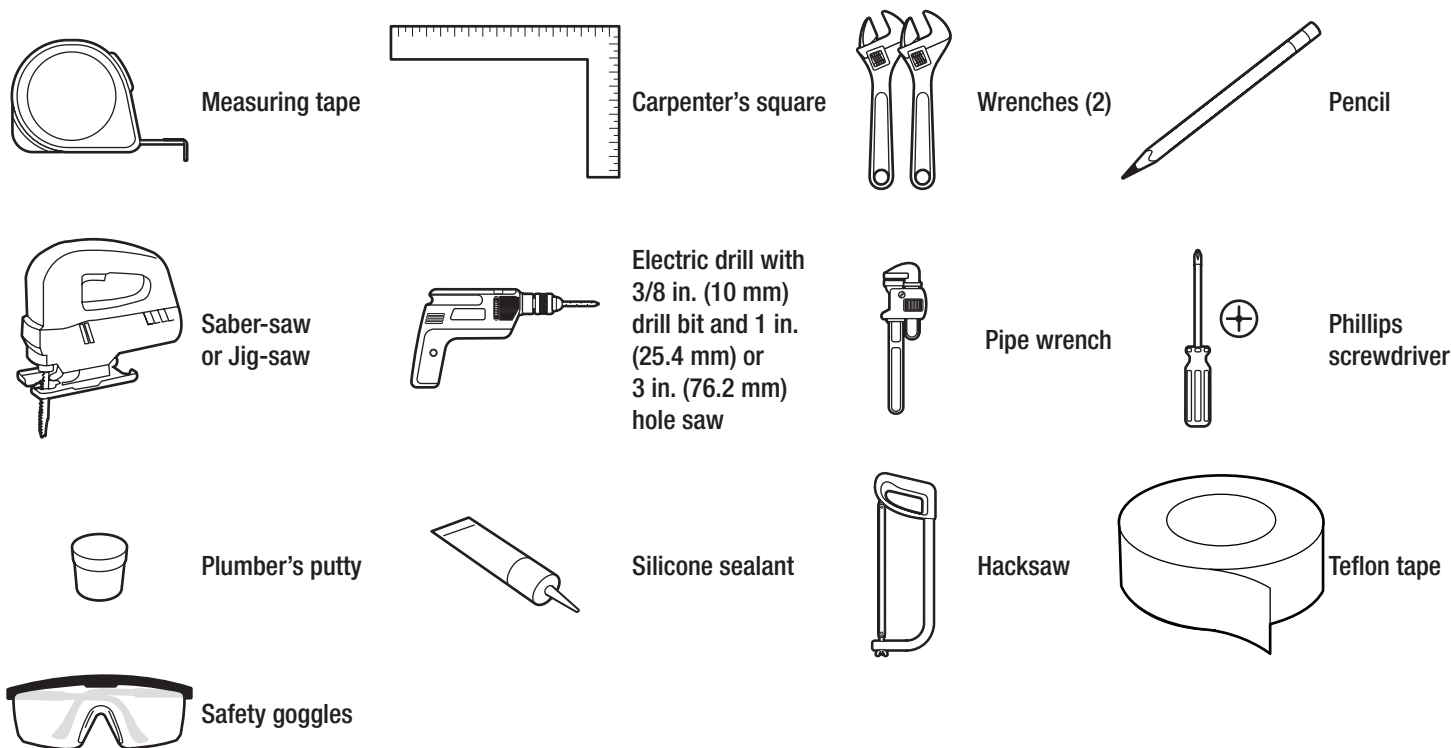
 **CAUTION:** Always wear safety goggles and gloves during installation to prevent personal injury.

Inspect your unit before proceeding. Check the surface for any flaws or damage, including dents, bends, bumps, or scuff marks. If any damage is noticed, do not proceed with installation. Report any damage immediately.


You may choose to install this sink either undermount (from below the counter) or topmount (from above the counter). You must install this sink only in a counter at least 36 in. (914 mm) wide with a solid surface that has a minimum thickness of at least 3/4 in. (19 mm). With undermount installation, there should also be a 1 in. (25.4 mm) build-up around the sink. Requirements vary for installation in a granite, marble, stone, or butcher block counter, so please contact your fabricator for specific details.

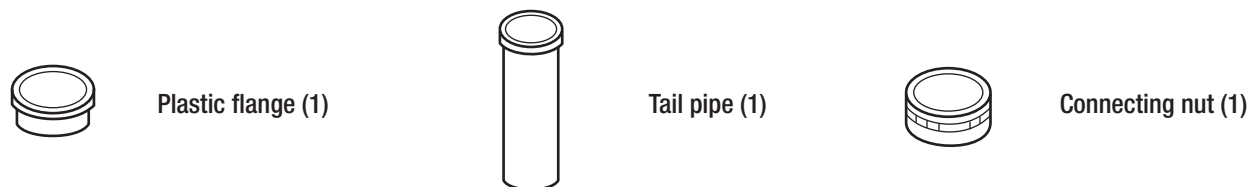
Protect the entire surface of the product during installation to prevent damage.

TOOLS REQUIRED



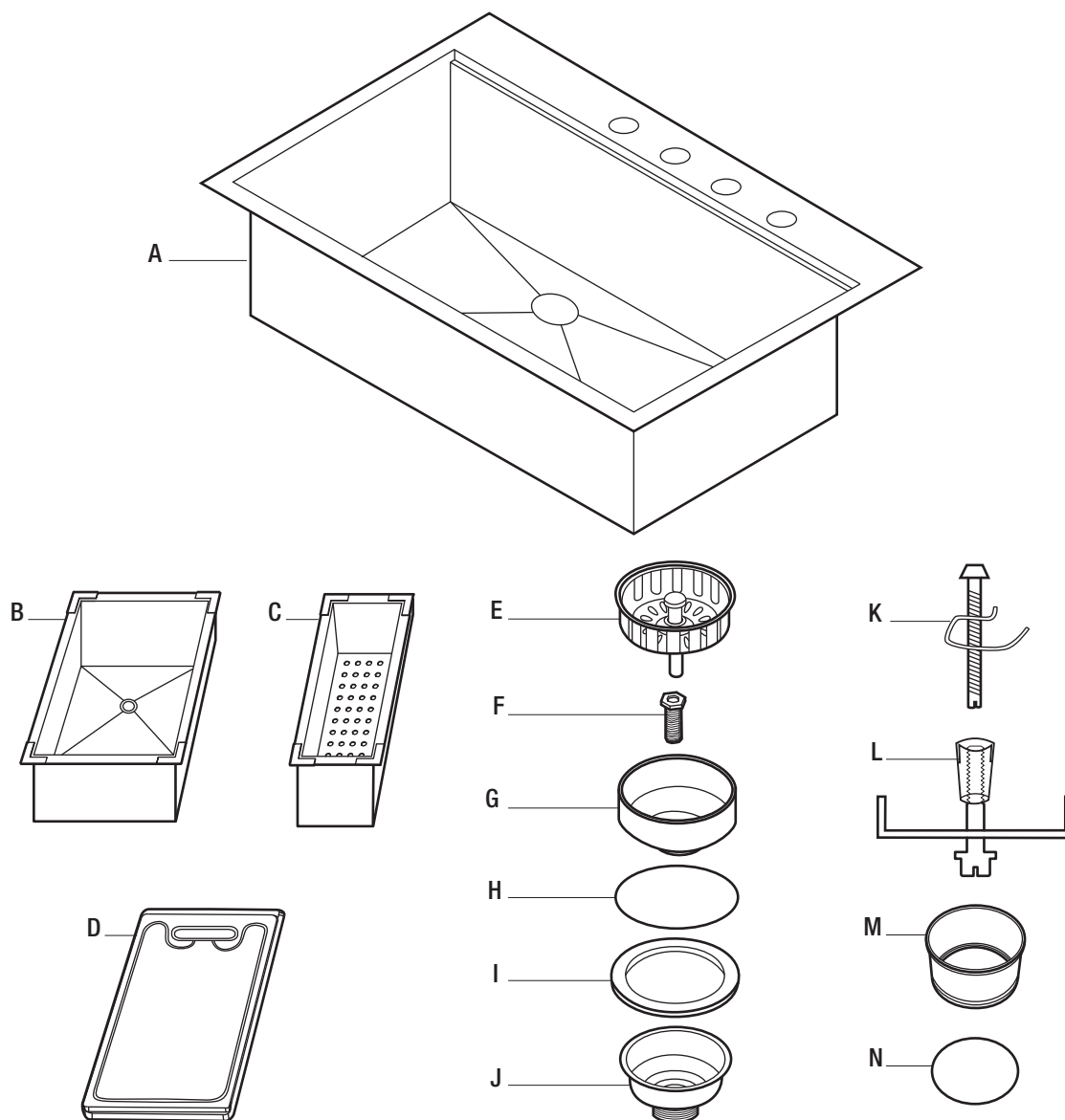
PARTS REQUIRED

 **NOTE:** Parts not shown to actual size.



Pre-Installation (continued)

PACKAGE CONTENTS



Part	Description	Quantity
A	Stainless steel sink	1
B	Sliding sink	1
C	Colander	1
D	Bamboo cutting board	1
E	Flangeless strainer basket	1
F	Strainer screw	1
G	Upper strainer body	1

Part	Description	Quantity
H	Strainer ring	1
I	Strainer gasket	1
J	Lower strainer body	1
K	Topmount clips	10
L	Undermount clips	10
M	Garbage disposer adaptor	1
N	Rubber ring	1

Installation – Undermount

1 Creating the template



NOTE: Undermount sinks are mounted from below the counter. If you are installing a topmount or “drop-in” sink, please see “Installation – Topmount” on page 9.



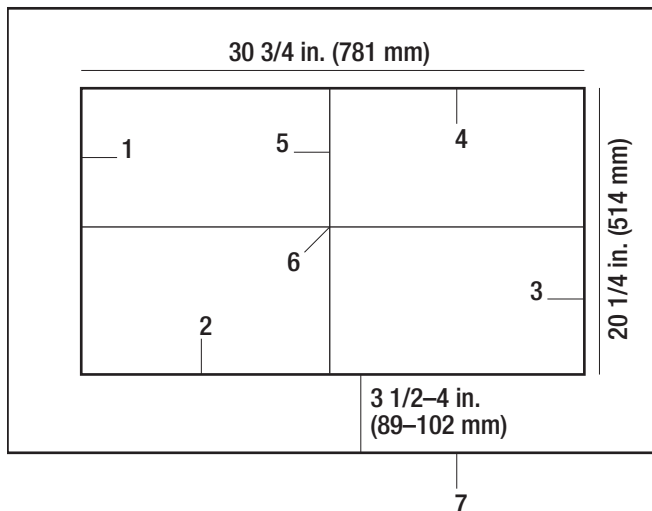
NOTE: It is highly recommended that undermounting be performed by a professional installer. Improper installation will void the warranty.

- Using a carpenter’s square, draw a line (5) from front to back on the bottom of the counter to indicate the location of the center of the sink.
- Draw a line (2) parallel to the front edge of the counter to indicate how far back the sink should be located from the front of the counter (7). Typical setback is 3 1/2–4 in. (89–102 mm) from the front of the counter, depending on the cabinet structure, the counter overhang, the type of sink bowl, and the deck size.
- On a piece of cardboard or paper, draw a rectangle of the same size as the hole that you will cut out to accommodate the sink. As this sink is 33 in. x 22 in. (838 mm x 559 mm), we recommend that you use a template size of 30 3/4 in. x 20 1/4 in. (781 mm x 514 mm) with square corners.



NOTE: The flat mating surface of the sink that will touch the underside of your counter is 1 1/8 in. (27 mm) wide on sides 1 and 3, and 7/8 in. (22.2 mm) wide on sides 2 and 4.

- Mark the center point (6) of the sink on the template.
- Cut the template out of the piece of cardboard or paper.

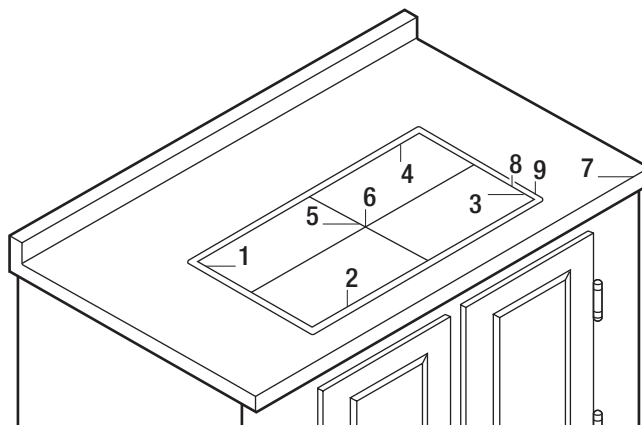


2 Cutting the counter



CAUTION: Always wear safety goggles and gloves when using power tools to prevent personal injury.

- Place the template (8) on the counter with its front (2) parallel to the front of the counter (7). Ensure that it is placed so that the sink will clear all objects and the mounting hardware can be installed. Make sure there is a minimum of 3 in. (79.2 mm) of space underneath on all four sides for the undermount clips (L).
- Stick a line of tape (9) around the template, and trace the template onto the tape with a pencil.
- Double check the location of the cut line before removing the template.
- Use a saber-saw or jig-saw to cut along the cut line. Place a support underneath the cut-out portion of the counter to prevent it from falling during cutting.



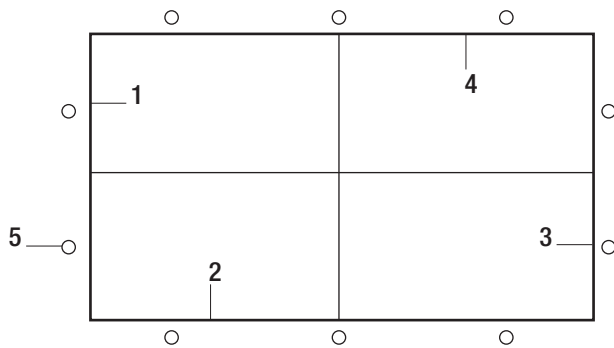
Installation – Undermount (continued)

3 Drilling the holes for the undermount clips



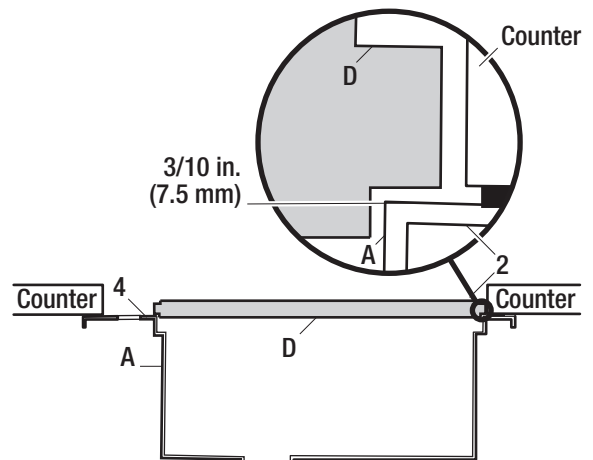
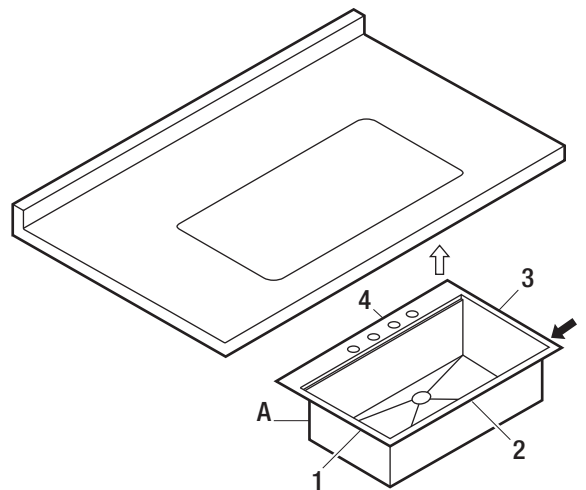
CAUTION: Always wear safety goggles and gloves when using power tools to prevent personal injury.

- On the underside of the counter, mark the location of the ten holes (5) for the undermount clips (L). These holes should be equally spaced around the perimeter of the cutout with three each on sides 2 and 4 and two each on sides 1 and 3. They should be set back from the cutout opening by 1 3/8 in. (35 mm).
- Using an electric drill with a 3/8 in. (10 mm) drill bit, drill each hole so that it is 3/8 in. (10 mm) in diameter and 5/8 in. (15.8 mm) deep.



4 Testing the fit of the sink

- Place the sink (A) underneath the cutout in the counter to test its fit. Ensure that the reveal is equal on sides 1 and 3 when viewed from above. There should also be at least 3/10 in. (7.5 mm) of deck revealed on side 2 to accommodate the slide of the cutting board (D). Make adjustments to the cutout if necessary.
- When you are satisfied with the location of the sink (A), mark the location of the edge of the counter cutout on at least two sides of the lip of the sink.



Installation – Undermount (continued)

5 Installing the flangeless strainer

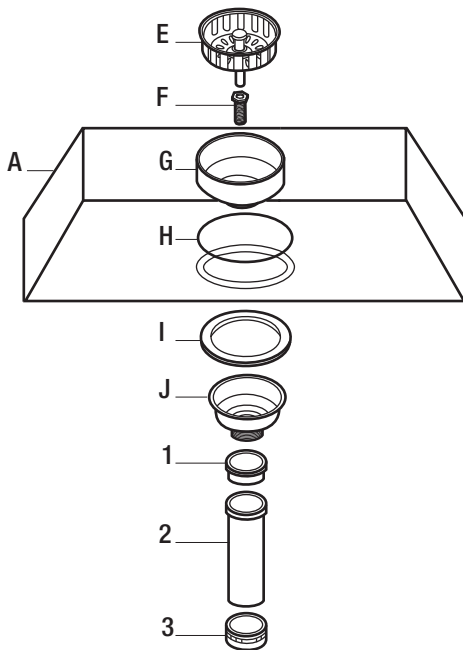


NOTE: If you are installing a garbage disposer (not supplied), do not install the strainer. See “Installation – Garbage Disposer” on page 11.

- Apply a small amount of plumber’s putty (not included) in the notch around the drain hole of the sink (A).
- Connect the upper strainer body (G) and the strainer ring (H), and insert them into the drain hole from the top of the sink (A).
- Connect the strainer gasket (I) and lower strainer body (J), and insert them into the drain hole from underneath the sink (A).
- Insert the strainer screw (F) through the entire assembly, from the upper strainer body (G) to the lower strainer body (J). Tighten with a Phillips screwdriver.
- Connect the plastic flange (1) and tail pipe (2), and thread the connecting nut (3) through the tail pipe and flange up to the lower strainer body (J). Lock the connecting nut by hand.



NOTE: The plastic flange (1), tail pipe (2), and connecting nut (3) are not supplied.

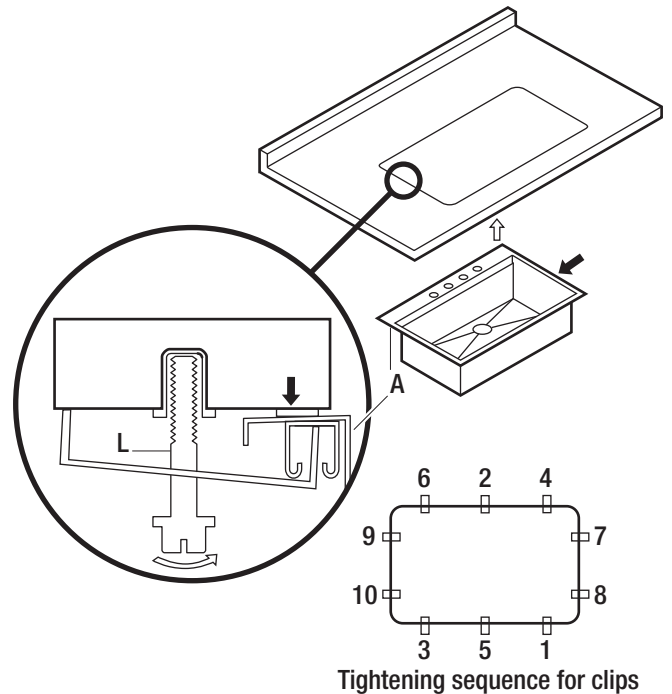


6 Installing the sink



NOTE: Install the faucet and soap dispenser (not included) according to the manufacturer’s instructions before this step.

- Put the threaded inserts on the bolts of the undermount clips (L) loosely in the holes that you drilled for them in the underside of the counter. Ensure that the clamps of the undermount clips (L) are turned so that they do not interfere with the placement of the sink (A).
- Place a small bead of silicone sealant (not included) around the upper lip of the sink (A).
- Carefully place the sink (A) into its location under the counter, lining up the pencil marks on the lip of the sink that you made when you tested the fit of the sink.
- Carefully rotate the clamps of the undermount clips (L) over the clamp bar on the sink (A) and gently tighten the bolts of the undermount clips (L), working from side to side to fasten the sink (A) firmly. Recheck the alignment visually from above.
- Wipe away any excess silicone and, for best results, allow the bond to rest undisturbed for 8 hours or overnight.
- Install the counter as directed by the manufacturer and install all other plumbing as required.



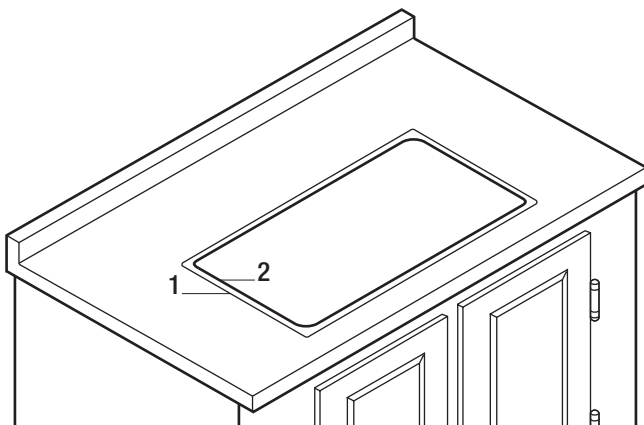
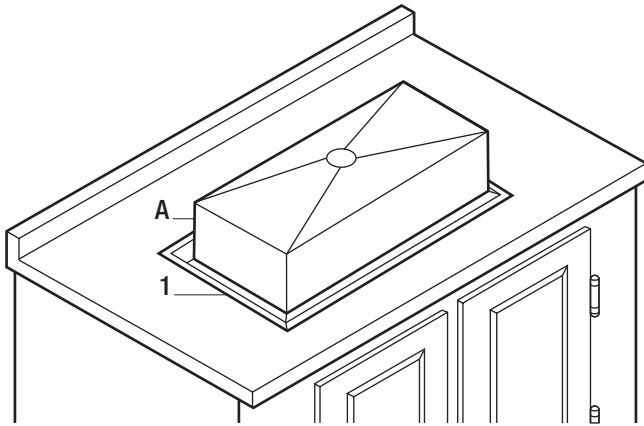
Installation – Topmount

1 Creating the template



NOTE: Topmount sinks are dropped into the counter from above. If you are installing an undermount sink, please see “Installation – Undermount” on page 6.

- Place the sink (A) upside down on the counter. Center the sink (A) on the counter so that it is parallel to the front of the counter, ensuring that it will not interfere with the inside structure of the cabinet or the counter. It must clear the overhang of the counter and the front inside face of the cabinet.
- Trace the outline of the sink (A) with a pencil.
- Draw a new line (2) 3/8 in. (9.5 mm) inside the first line (1). This will be the cut line. As this sink is 33 in. x 22 in. (838 mm x 559 mm), the cut line should be 32 1/4 in. x 21 1/4 in. (819 mm x 540 mm).

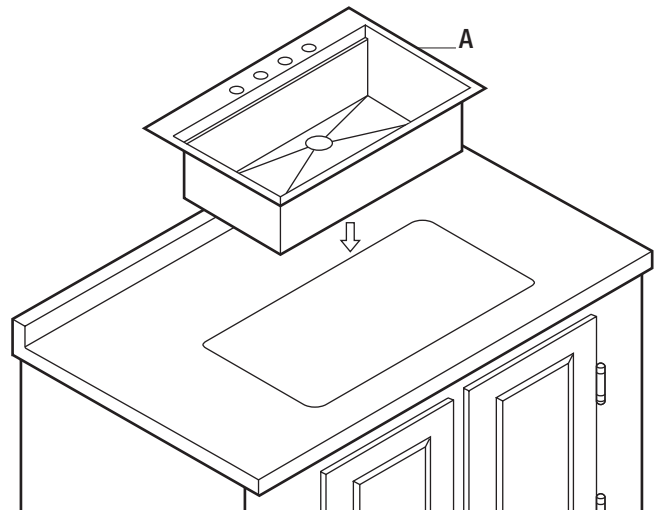
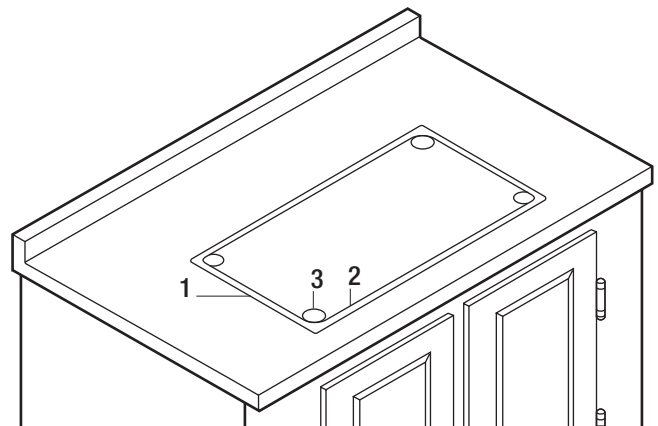


2 Cutting the counter



CAUTION: Always wear safety goggles and gloves when using power tools to prevent personal injury.

- Using an electric drill with a 1 in. (25.4 mm) hole saw, carefully drill four holes (3) inside the cut line.
- Use a saber-saw or jig-saw to cut along the cut line (2). Place a support underneath the cut-out portion of the counter to prevent it from falling during cutting.
- Insert the sink (A) into the cutout in the counter to test the fit. Make adjustments to the cutout, if necessary.



Installation – Topmount (continued)

3 Installing the flangeless strainer

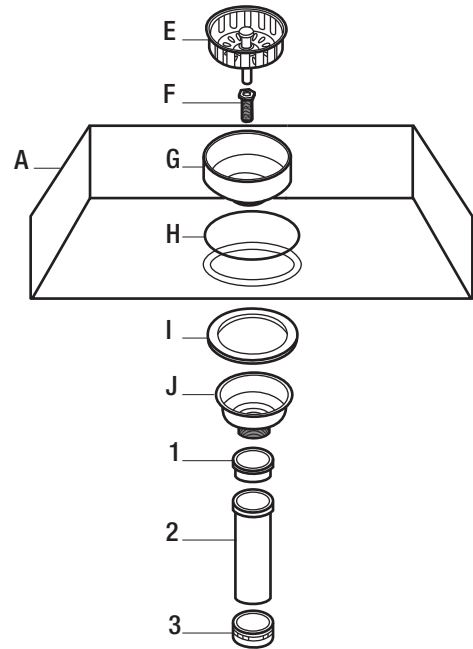


NOTE: If you are installing a garbage disposer (not supplied), do not install the strainer. See “Installation – Garbage Disposer” on page 11.

- Apply a small amount of plumber’s putty (not included) in the notch around the drain hole of the sink (A).
- Connect the upper strainer body (G) and the strainer ring (H), and insert them into the drain hole from the top of the sink (A).
- Connect the strainer gasket (I) and lower strainer body (J), and insert them into the drain hole from underneath the sink (A).
- Insert the strainer screw (F) through the entire assembly, from the upper strainer body (G) to the lower strainer body (J). Tighten with a Phillips screwdriver.
- Connect the plastic flange (1) and tail pipe (2), and thread the connecting nut (3) through the tail pipe and flange up to the lower strainer body (J). Lock the connecting nut by hand.



NOTE: The plastic flange (1), tail pipe (2), and connecting nut (3) are not supplied.

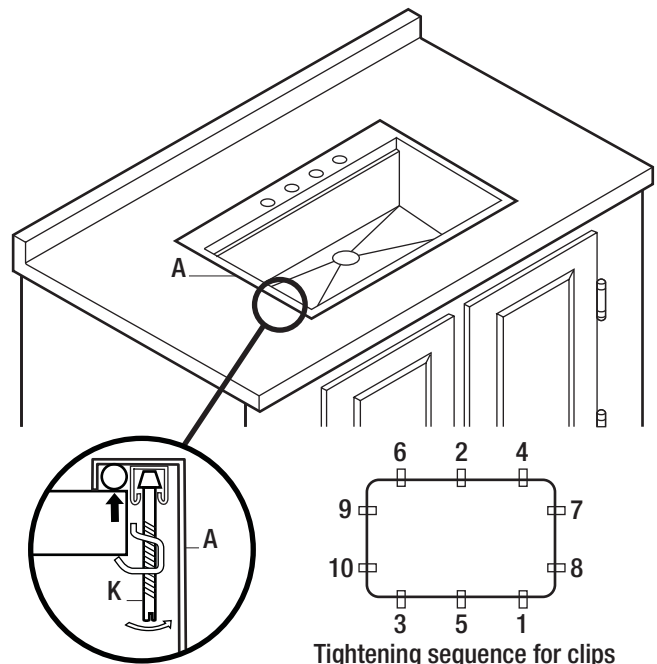


4 Installing the sink



NOTE: Install the faucet and soap dispenser (not included) according to the manufacturer’s instructions before this step.

- Apply silicone sealant (not included) around the underside of the lip of the sink (A) on all four sides.
- Carefully lower the sink (A) into the counter, ensuring that the factory installed topmount clips (K) do not catch on the counter edges.
- Slide each topmount clip (K) along the rails so that they are evenly spaced around the sink (A).
- Swing the clamps on the topmount clips (K), and tighten the screws progressively until the sink rim is flush with the counter. Check the alignment as you tighten so that the front of the sink (A) is parallel to the front of the counter. Adjust and re-tighten if necessary. Do not over tighten.
- Wipe away any excess sealant with a rag.



Installation – Garbage Disposer (optional)

1 Installing the garbage disposer

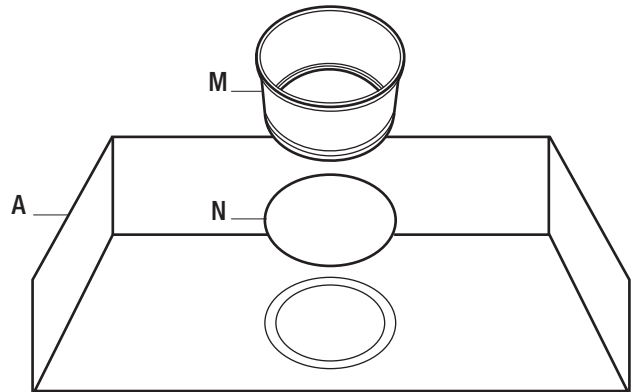


NOTE: If you are installing a garbage disposer (not supplied), do not install a strainer in the sink.



NOTE: The garbage disposer adaptor is designed to fit the flange of the *Insinkerator* brand of garbage disposers.

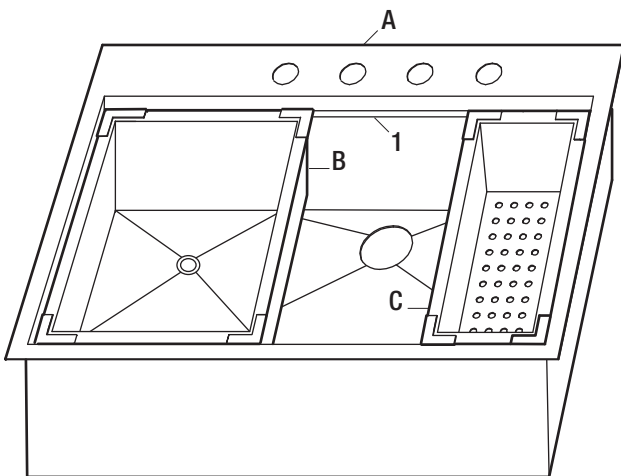
- To install a garbage disposer, place the rubber ring (N) around the underside lip of the adaptor (M).
- Insert the adaptor (M) into the drain hole of the sink (A).
- Install the garbage disposer to the adaptor (M) according to the garbage disposer manufacturer's installation instructions.



Operation

1 Using the sliding sink and colander

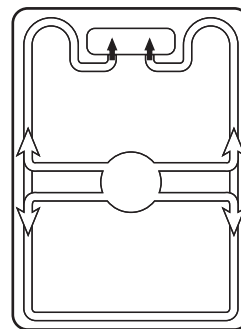
- The sliding sink (B) and the colander (C) can be placed in any location along the track (1) in the sink (A).
- The colander (C) fits inside the sliding sink (B) for easy storage.



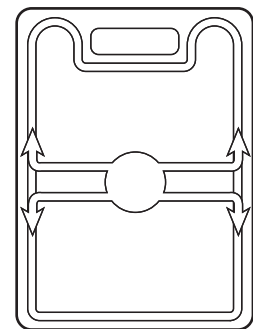
2 Using the cutting board

- The specially designed cutting board (D) can be placed in the track of the sink (A). Make sure side 1 faces up, so that juices drain into the sink through the handle.
- The cutting board (D) can also be used on the counter. In this case, side 2 should face up, so that drippings are caught in the edge trough.

Side 1: In Sink Track



Side 2: On Counter



Care and Cleaning

SINK, SLIDING SINK, AND COLANDER

Your sink is manufactured with the highest grade stainless steel and will provide you many years of enjoyment with the proper care.

Do

- After use, always rinse your sink, sliding sink, and colander with tap water to dilute and remove deposits.
- Towel dry after use whenever possible to prevent water spots. Should water spots occur, clean with a mild solution of vinegar and water followed by a thorough rinse.
- Use liquid soap, a general household cleaner, or a weak solution of vinegar and water for regular cleaning.
- Only use plastic scouring pads recommended for use in stainless steel sinks, and only use them in the bowl of the sink. Scrub in the direction of the satin finish lines.

Do Not

- Do not allow any food, detergent, soap, or grease to dry or sit for extended periods of time on the surface of the sink.
- Never use abrasive cleaning products, as they will dull and scratch the finish.
- Do not use scouring pads on the deck, as they will dull the mirror finish.
- Never use steel wool pads, as they will leave iron particles on the sink, which will cause corrosion.
- Never leave mild steel or cast iron pans on your sink for extended periods of time, as this can cause corrosion.

CUTTING BOARD

Do

- Clean the cutting board with a damp cloth and dry immediately.

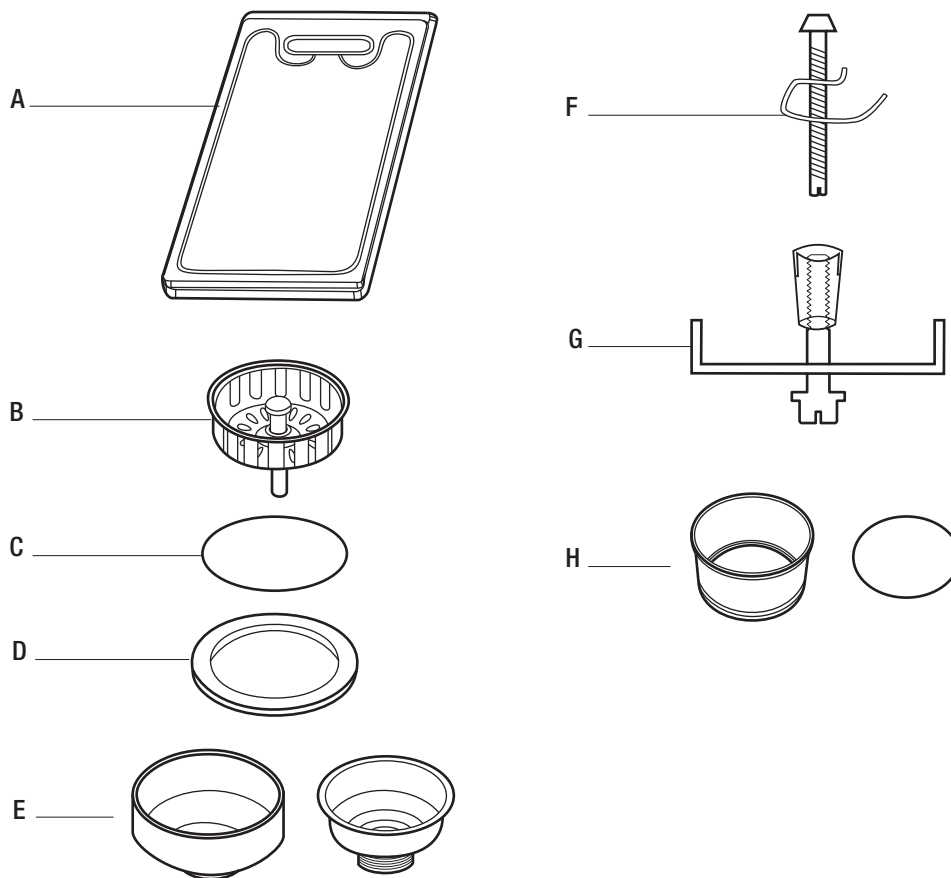
Do Not

- Do not put the cutting board in the dishwasher.
- Keep the cutting board away from direct sunlight or direct heat sources.

Service Parts

STAINLESS STEEL KITCHEN WORK CENTER KIT

If you are missing parts or if you require replacement parts, please call our customer service team at 1-877-527-0313, 8 a.m.–6 p.m., EST, Monday–Friday. Identify the required part(s) and have the part number(s) ready.



Part	Description	Part number	Quantity
A	Cutting board	QH0098	1
B	Flangeless strainer basket	QH0099	1
C	Strainer ring	QH0100	1
D	Strainer gasket	QH0101	1
E	Strainer body (includes upper and lower body)	QH0102	1
F	Topmount clips	QH0103	10
G	Undermount clips	QH0104	10
H	Garbage disposer adaptor and rubber ring	QH0105	1



Questions, problems, missing parts?
Before returning to the store, call Glacier Bay Customer Service
8 a.m.–6 p.m., EST, Monday–Friday

1-877-527-0313

HOMEDEPOT.COM

Retain this manual for future use.