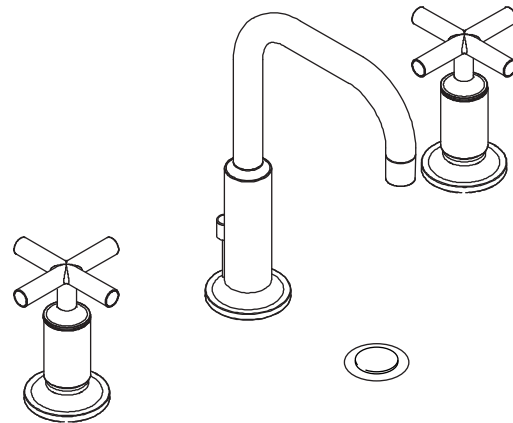


Features

- Metal construction
- Brass valve bodies
- Flexible connections for easy installation
- Pop-up drain with lift rod and tailpiece
- 5-1/2" (140 mm) spout reach
- Stationary spout
- For 8" (203 mm) or 16" (406 mm) centers
- Quarter-turn washerless ceramic disc valves
- Available with cross, high cross, lever, or high lever handles
- Low gooseneck spout
- 1.5 gallons (5.7 liters) per minute maximum flow rate

WIDESPREAD BATHROOM SINK FAUCET

K-14406 ALSO K-14407



Codes/Standards Applicable





Specified model meets or exceeds the following at date of manufacture:

- ADA
- ICC/ANSI A117.1
- ASME A112.18.1/CSA B125.1
- NSF 61
- EPA WaterSense®
- All applicable US Federal and State material regulations

Colors/Finishes

- CP: Polished Chrome
- Other: Refer to Price Book for additional colors/finishes

Specified Model

Model	Description	Cross  ADA		Lever  ADA		High Cross  ADA		High Lever  ADA	
		<input type="checkbox"/> CP	<input type="checkbox"/> Other ___	<input type="checkbox"/> CP	<input type="checkbox"/> Other ___	<input type="checkbox"/> CP	<input type="checkbox"/> Other ___	<input type="checkbox"/> CP	<input type="checkbox"/> Other ___
K-14406-3	Bathroom sink faucet	<input type="checkbox"/> CP	<input type="checkbox"/> Other ___						
K-14406-4	Bathroom sink faucet			<input type="checkbox"/> CP	<input type="checkbox"/> Other ___				
K-14407-3	Bathroom sink faucet					<input type="checkbox"/> CP	<input type="checkbox"/> Other ___		
K-14407-4	Bathroom sink faucet							<input type="checkbox"/> CP	<input type="checkbox"/> Other ___

Product Specification

The two-handle widespread bathroom sink faucet shall be made of metal construction with brass valve bodies. Product shall have a maximum flow rate of 1.5 gallons (5.7 liters) per minute. Product shall feature quarter-turn washerless ceramic disc valves, flexible connections for easy installation, a 5-1/2" (140 mm) spout reach, and a stationary spout. Product shall be for 8" (203 mm) or 16" (406 mm) centers. Product shall feature a low gooseneck spout and a pop-up drain with lift rod and tailpiece. Product shall be available with cross, high cross, lever, or high lever handles. Faucet shall be Kohler Model K-____-____-____.

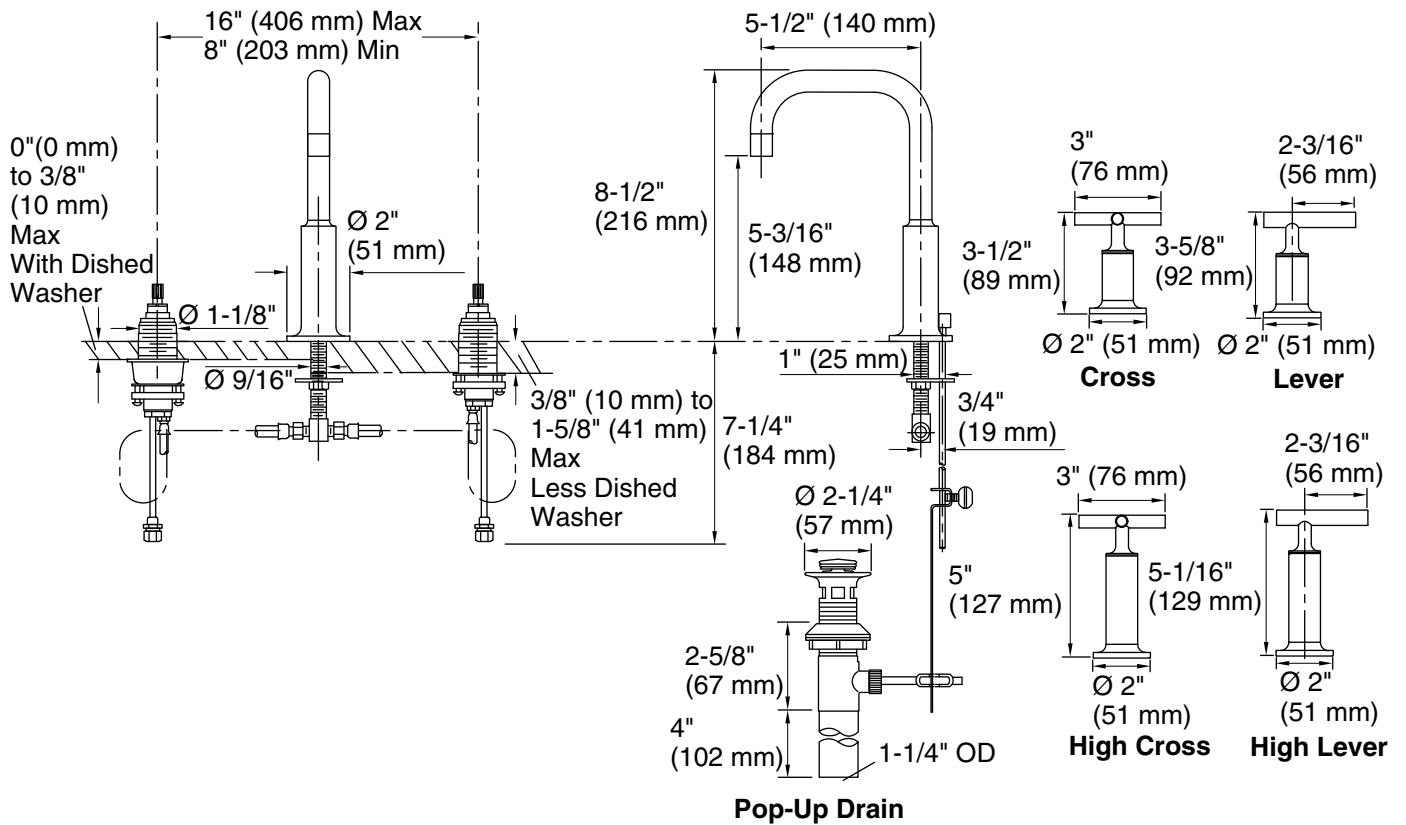
PURIST®

Optional Accessories		
1160593	Small Spray 0.38 gpm (1.44 lpm) – Insert only	<input type="checkbox"/> NA
_____	Additional flow options are available (refer to the Price Book)	<input type="checkbox"/> NA

Installation Notes

Install this product according to the installation guide.

ADA compliant when installed to the specific requirements of these regulations.



Product Diagram