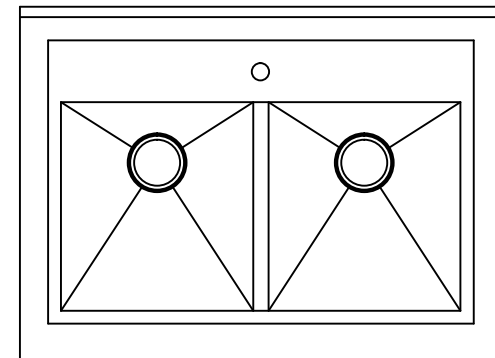
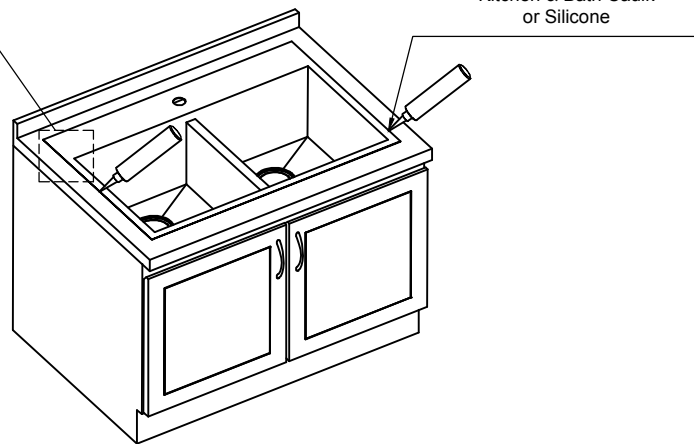


Tighten the screws



Top View  
Top Mount