

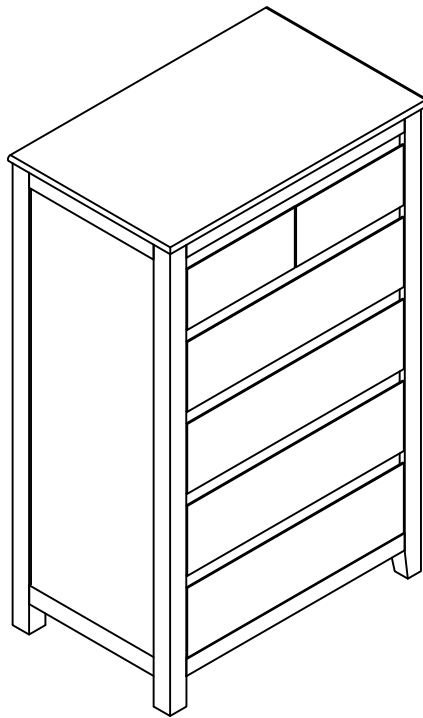
StyleWell™

Model #BF-25745-NA
BF-25745-CH
BF-25745-WH

Item #1004019174
1004019334
1004019365

USE AND CARE GUIDE

**THD PRODUCT NAME: 6 DRAWER CHEST WITH
NO HARDWARE**



**Questions, problems, missing parts? Before returning
to the store, Call Customer Service
8 a.m. - 7p.m., EST, Monday - Friday, 9 a.m. - 6 p.m.,
EST, Saturday**

**1-877-527-0313
HOMEDEPOT.COM**

THANK YOU

*We appreciate the trust and confidence you have placed in Stylewell through the purchase of this chest.
We strive to continually create quality products designed to enhance your home. Visit us online to see our full line
of products available for your home improvement needs. Thank you for choosing Stylewell!*

Table of Contents

Table of Contents.....	2	Assembly.....	5
Safety Information.....	2	Installation.....	12
Warranty.....	2	Maintenance.....	13
What Is Covered.....	2	Care and Cleaning.....	13
What Is Not Covered.....	2		
Pre-Assembly.....	3		
Planning Assembly.....	3		
Tools Required.....	3		
Hardware included.....	3		
Package contents.....	4		

Safety Information

Read and understand these instructions before attempting to install or use this product.



CAUTION: Use caution when lifting heavy objects. Lifting heavy objects improperly could cause serious injury.



NOTE: Handle with care. Do not drop or handle roughly, as this could damage the linen cabinet.

Warranty

1 YEAR WARRANTY

WHAT IS COVERED

We guarantee this product to be free of manufacturing defects to the original purchaser for one year.

WHAT IS NOT COVERED

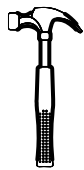
This warranty does not cover commercial use, acts of nature, and abusive use.

Pre-Assembly

PLANNING ASSEMBLY

Check the product for damage before installation. If any part of the product is missing or damaged, contact the Customer Service Team at 1-877-527-0313.

TOOLS REQUIRED



Hammer



Safety goggles

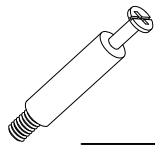


Phillips screwdriver

HARDWARE INCLUDED



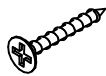
NOTE: Hardware not shown to actual size.



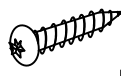
_____ A



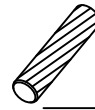
_____ B



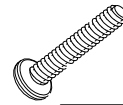
_____ C



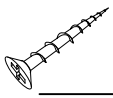
_____ D



_____ E



_____ F



_____ G



_____ H



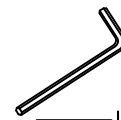
_____ I



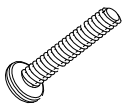
_____ J



_____ K



_____ L

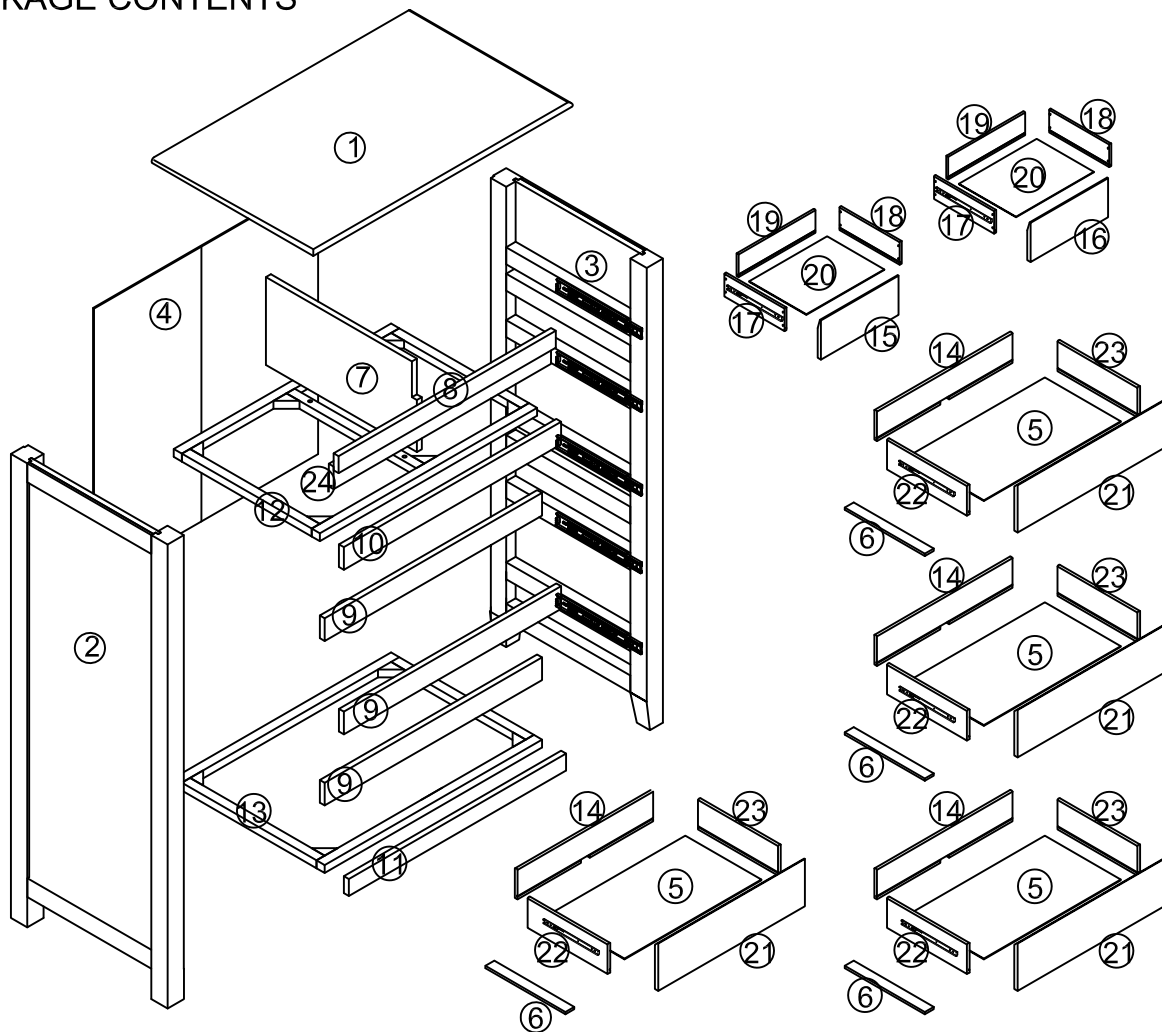


_____ M

PART	DESCRIPTION	QUANTITY
A	CAM-BOLT	22
B	CAM-LOCK	22
C	SCREW	64
D	SCREW	30
E	DOWEL	14
F	BOLT	8
G	SCREW	4
H	ANCHOR	4
I	PLASTIC BELT	2
J	HOOK	4
K	CAM-TOOL	1
L	ALLEN WENCH	1
M	BOLT	4

Pre-Assembly

PACKAGE CONTENTS



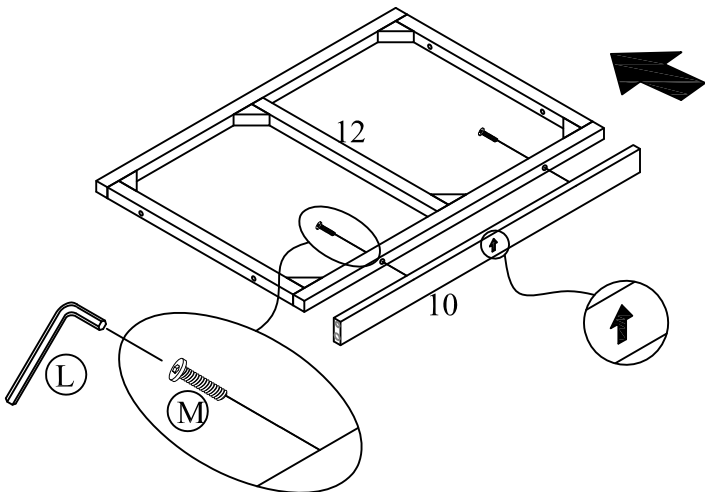
Part	DESCRIPTION	Quantity
1	TOP PANEL	1
2	LEFT SIDE PANEL	1
3	RIGHT SIDE PANEL	1
4	UP BACK PANEL	1
5	LARGE DRAWER BOTTOM PANEL	4
6	LARGE DRAWER SUPPORT PANEL	4
7	STAND PANEL	1
8	PANEL	1
9	PANEL	3
10	PANEL	1
11	PANEL	1
12	UP ACROSS FRAME	1

Part	DESCRIPTION	Quantity
13	DOWN ACROSS FRAME	1
14	LARGE DRAWER BACK PANEL	4
15	SMALL DRAWER LEFT FRONT PANEL	1
16	SMALL DRAWER RIGHT FRONT PANEL	1
17	SMALL DRAWER LEFT SIDE PANEL	2
18	SMALL DRAWER RIGHT SIDE PANEL	2
19	SMALL DRAWER BACK PANEL	2
20	SMALL DRAWER BOTTOM PANEL	2
21	LARGE DRAWER FRONT PANEL	4
22	LARGE DRAWER LEFT SIDE PANEL	4
23	LARGE DRAWER RIGHT SIDE PANEL	4
24	PANEL	1

Assembly

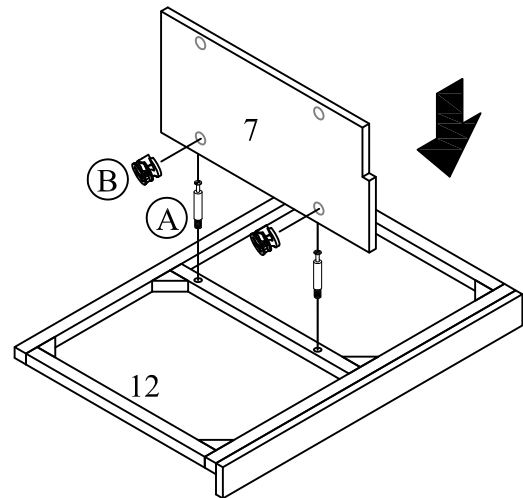
1 Assemble panel.

- Attach panel(10) to up across frame(12) using 2 bolts(M).



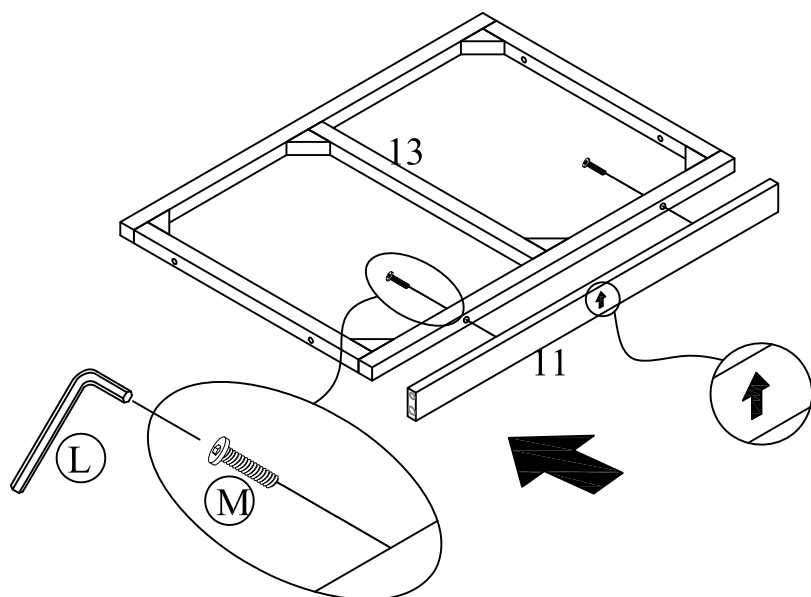
2 Assemble stand panel.

- Rotate 2 cam-bolts(A) into the holes in the up across frame(12).
- Place 2 cam-bolts(A) into the holes in the stand panels(7) and attach using 2 cam-locks(B).



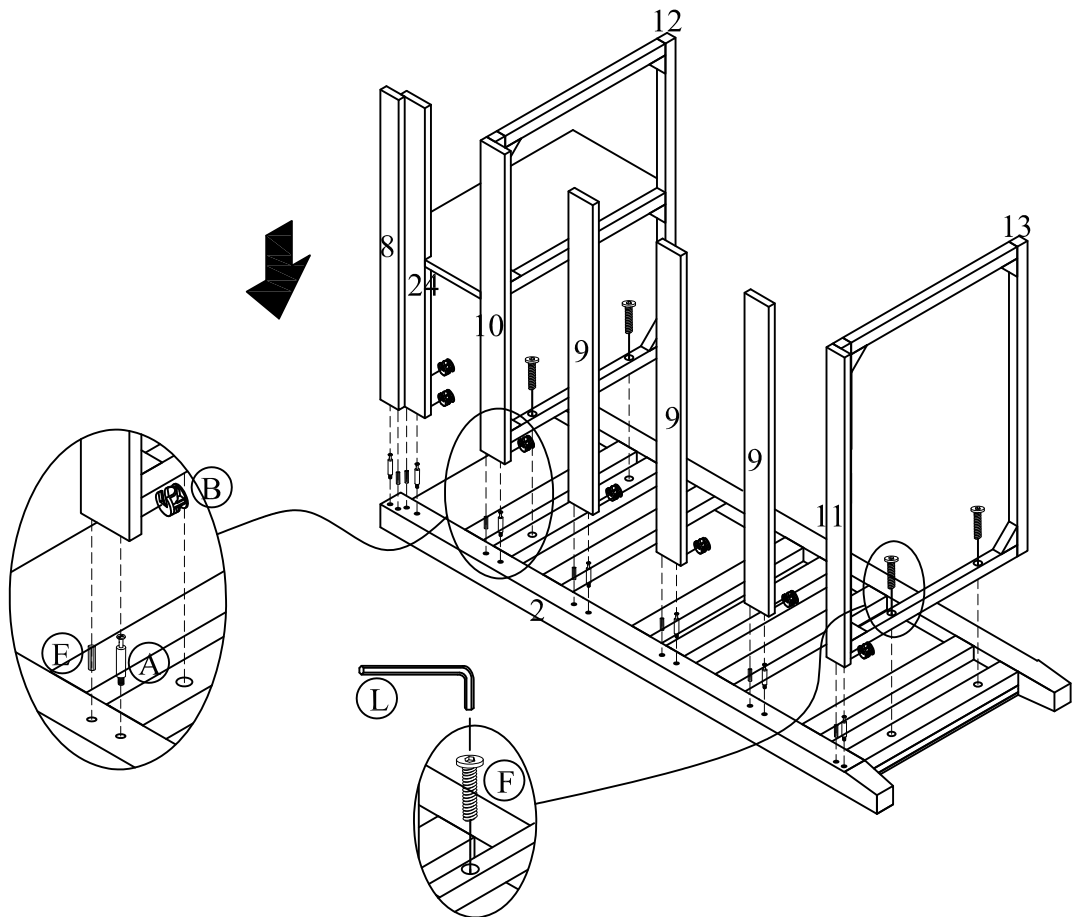
3 Assemble panel.

- Attach panel(11) to down across frame(13) using 2 bolts(M).



4 Assemble left side panel.

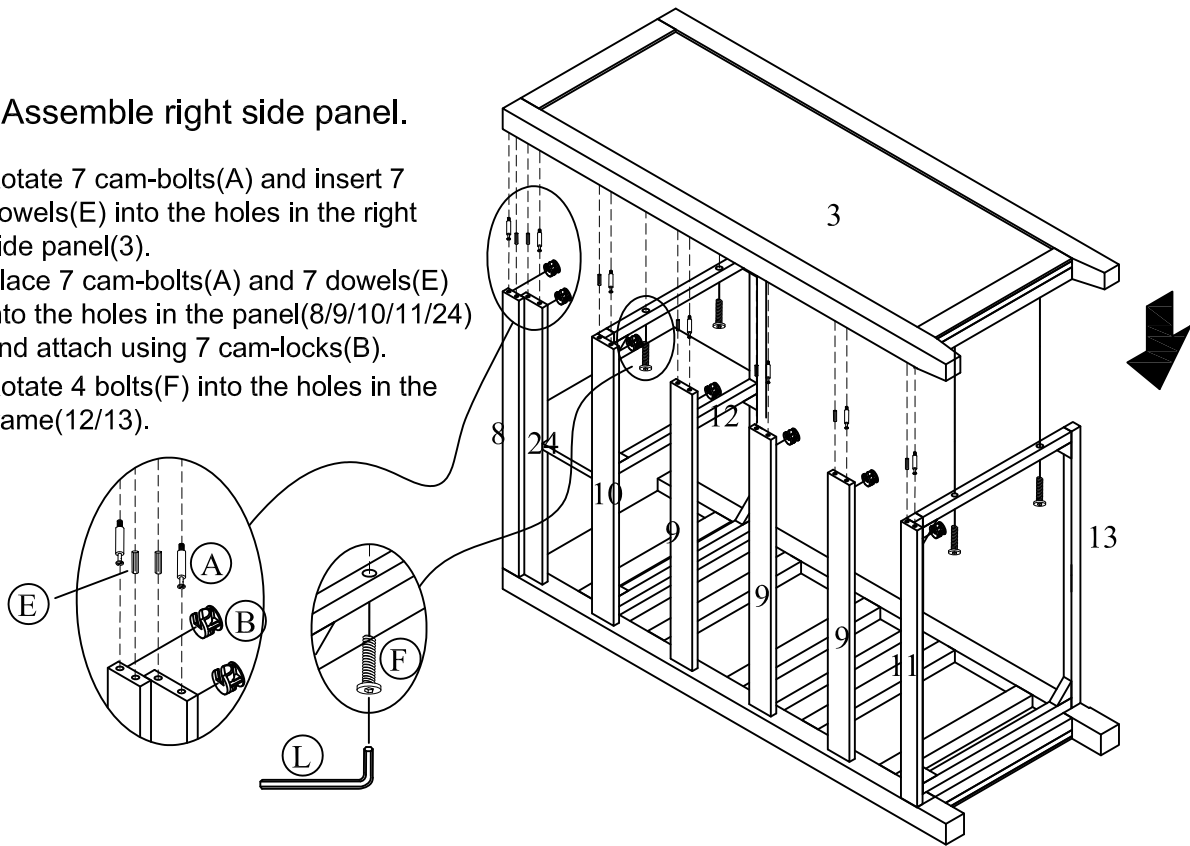
- Rotate 7 cam-bolts(A) and insert 7 dowels(E) into the holes in the left side panel(2).
- Place 7 cam-bolts(A) and 7 dowels(E) into the holes in the panel(8/9/10/11/24) and attach using 7 cam-locks(B).
- Rotate 4 bolts(F) into the holes in the frame(12/13).



Assembly

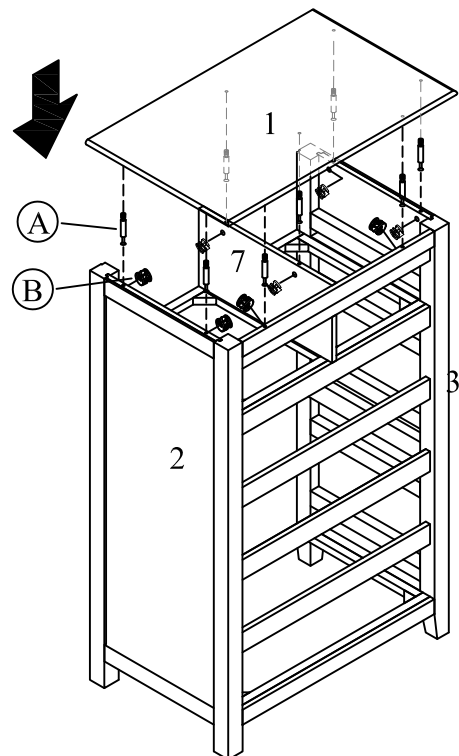
5 Assemble right side panel.

- Rotate 7 cam-bolts(A) and insert 7 dowels(E) into the holes in the right side panel(3).
- Place 7 cam-bolts(A) and 7 dowels(E) into the holes in the panel(8/9/10/11/24) and attach using 7 cam-locks(B).
- Rotate 4 bolts(F) into the holes in the frame(12/13).



6 Assemble top panel.

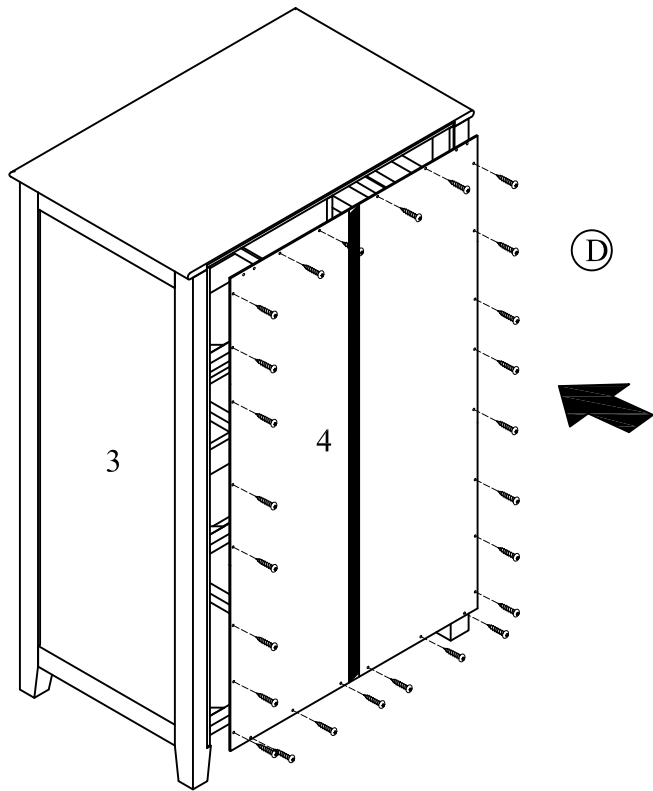
- Rotate 6 cam-bolts(A) into the holes in the top panel(1).
- Place 6 cam-bolts(A) into the holes in the panel(2/3/7) and attach using 6 cam-locks(B).



Assembly

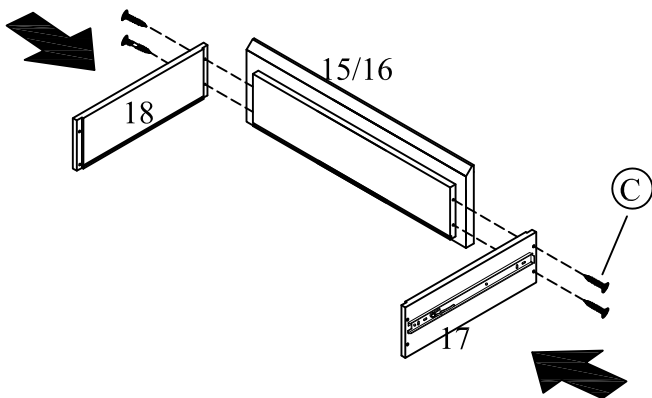
7 Assemble back panel.

- Attach back panel(4) using 26 screws(D).



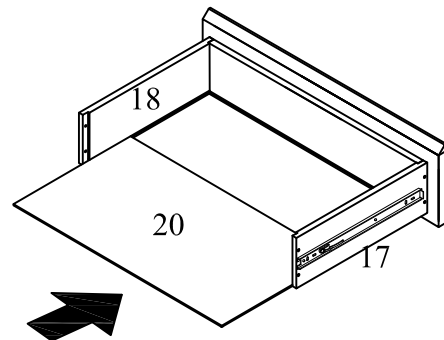
8 Assemble small drawer front panel.

- Attach small drawer left/right side panel(17/18) to small drawer front panel(15/16) using 4 screws(C).



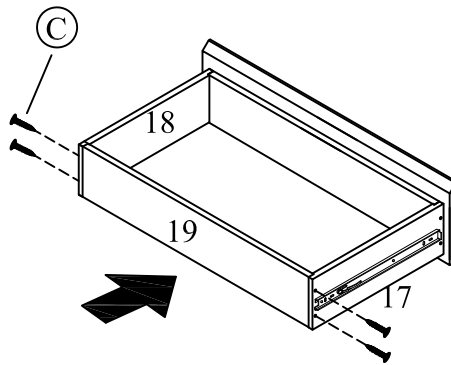
9 Assemble small drawer bottom panel.

- Insert small drawer bottom panel(20) into the slot in the small drawer left/right side panel(17/18).



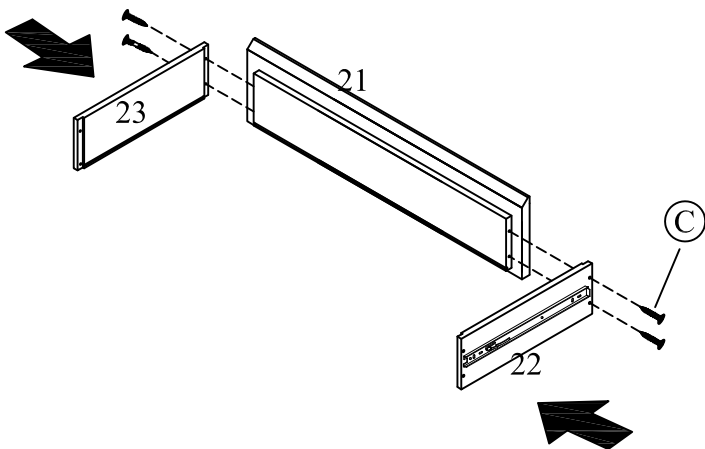
10 Assemble small drawer back panel.

- Attach small drawer back panel(19) to small drawer left/right side panel(17/18) using 4 screws(C).



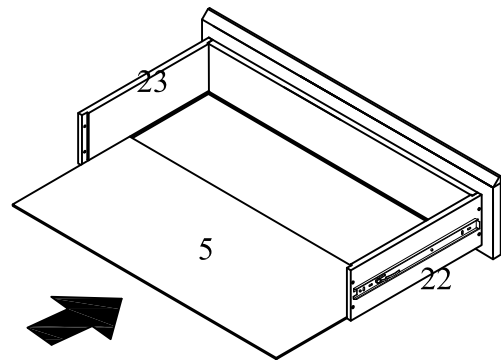
11 Assemble large drawer front panel.

- Attach large drawer left/right side panel(22/23) to large drawer front panel(21) using 4 screws(C).



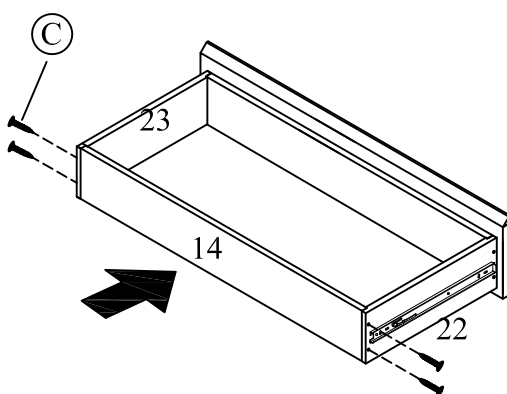
12 Assemble large drawer bottom panel.

- Insert large drawer bottom panel(5) into the slot in the large drawer left/right side panel(22/23).



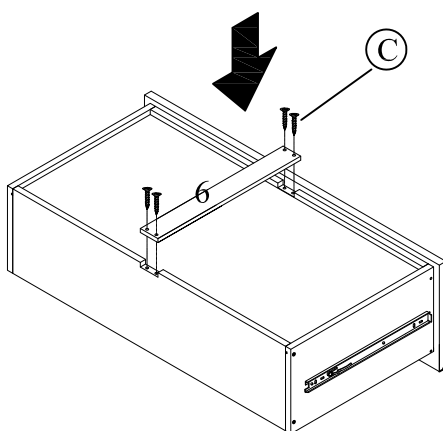
13 Assemble large drawer back panel.

- Attach large drawer back panel(14) to large drawer left/right side panel(22/23) using 4 screws(C).



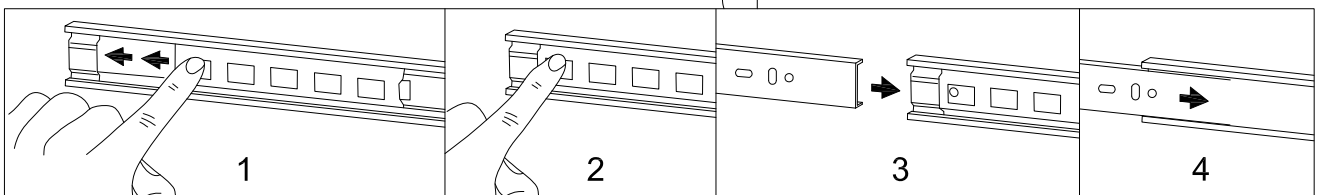
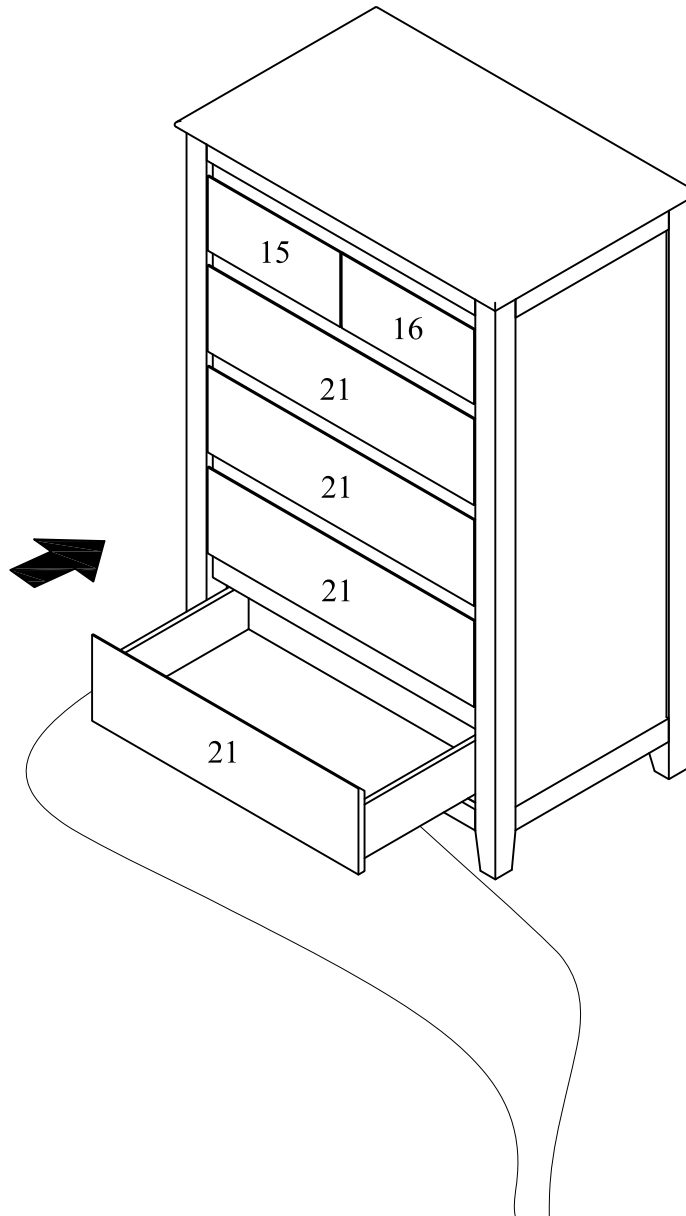
14 Assemble large drawer support panel and inner slide.

- Attach large drawer support panel(6) using 4 screws(C).



15 Assemble drawer.

- Insert the drawers as shown.

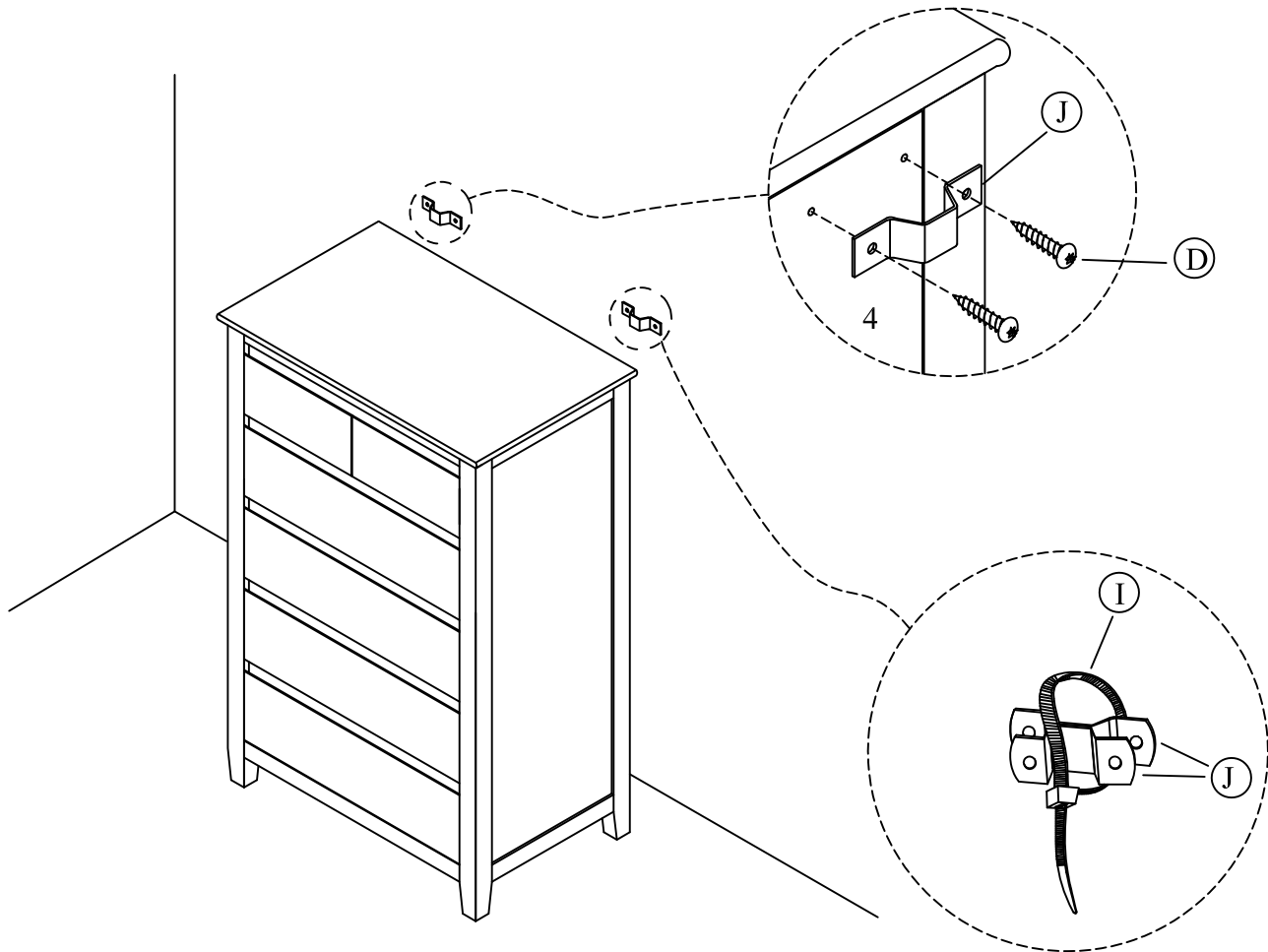
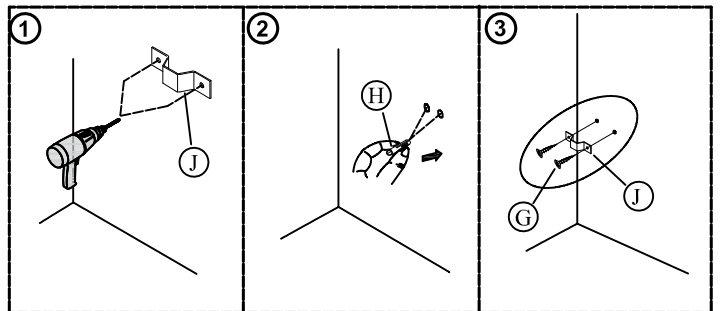


Installation

⚠ WARNING
Customer must install the tip-over restraints provided. Serious or fatal crushing injuries can occur from furniture tip-over. Use of tip-over restraints may only reduce, but not eliminate, the risk of tip-over.
BE CAREFUL!

1 Assemble anti-tip hardware.

- Attach 2 hooks(J) to back panel(4) using 4 screws(D).
- Drill 4 holes into wall, please refer to the rear top panel's hole distance and height.
- Put 4 anchors(H) into holes in the wall, and rotate 4 screws(G) into anchors(H).
- Connect the two hooks(J) with a plastic belt(I).



Maintenance

- If your furniture is stained or otherwise damaged during use, contact a professional for repairs.

Care and Cleaning

- Use a soft, clean cloth that will not scratch the surface when dusting.
- Use of furniture polishes is not necessary. Should you choose to use polishes, test the polish in an inconspicuous area before using over the entire surface of the product.
- Using solvents of any kind on your furniture may damage the finish.
- Never use water to clean your furniture as it may cause damage to the finish.
- Always use coasters under beverage glasses and flowerpots.
- Liquid spills should be removed immediately. Using a soft, clean cloth, blot the spill gently. Avoid rubbing.
- Always use protective pads under hot dishes and plates. Heat can cause chemical changes that may create spotting within the furniture finish.
- Use care as stains or marks from crayons or ink markers will be difficult to remove.
- Be sure to immediately clean red wine or soda stains within 30 minutes or the surface will stain.

StyleWell™

**Questions, problems, missing parts?
Before returning to the store, call Customer Service
8 a.m. - 7 p.m., EST, Monday - Friday, 9 a.m. - 6 p.m., EST, Saturday**

1-877-527-0313

HOMEDEPOT.COM

Retain this manual for future