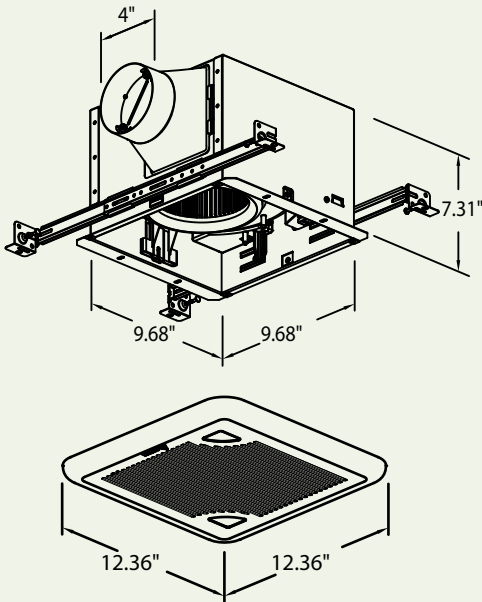




Delta BreezSignature G2 Ventilation Single Speed Fan Specifications

SIG110
(110 CFM)

Dimensions



Description

Low noise ceiling mount ventilating fan rated for continuous running. Fan has been awarded ENERGY STAR® Most Efficient in 2013. It is HVI, UL, and cUL certified, and can be used to comply with ASHRAE 62.2 (local and whole building continuous and intermittent operation), CA Title 24, and CALGreen requirements.

Motor/Blower

- Power rating of 120volts/60Hz
- DC brushless motor engineered to run continuously
- Motor equipped with thermal cutoff fuse
- Removable with permanently lubricated plug-in motor

Housing

- Galvanized steel body
- Detachable 4" diameter metal duct adapter
- Built-in backdraft damper
- Easy installation with expandable extension bracket

Grille

- Attractive design using ABS material
- Attaches directly to housing with torsion springs

Warranty

- 3-year limited warranty

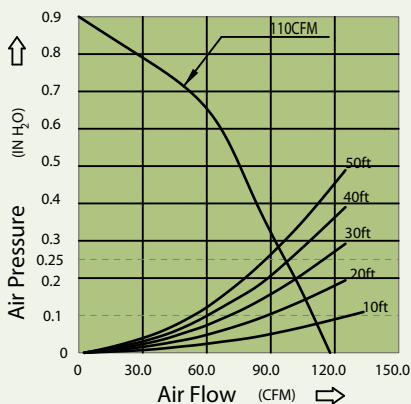
Features

- Green LED indicator light
- For ceiling mount only, airflow of 110 CFM (±10%), and <0.3 sones at 0.1" static pressure
- Power consumption approximately 12.7 Watts with an efficiency rating approximately 8.7 CFM/Watt at 0.1" static pressure
- UL and cUL listed for tub/shower enclosure when used with GFCI-protected branch circuit wiring

DC Motor Technology

- Built-in soft start function to increase bearings' life
- Automatically powers off when impeller is locked abnormally

Fan Curve



Specifications

SIG110	4" Duct (Standard)	
Static Pressure (Inches w.g.)	0.1	0.25
Air Flow (CFM)	110	96
Sones	<0.3	1.2
Power Consumption (Watts)	12.7	15.6
Energy Efficiency (CFM/Watt)	8.7	6.2
Current (Amps)	0.38 Max	
Power Rating (V/Hz)	120/60	