



Please see performance table for Energy Star Rated Models



# VK

## INLINE CENTRIFUGAL FAN

**PRODUCT SPECIFICATIONS**

**TECHNICAL DATA**



### DESCRIPTION

VENTS VK inline fans assure efficient and reliable operation. The VENTS VK fans are specially designed for simple installation and years of maintenance free operation. The VENTS VK fans are supplied with an easy to fit mounting bracket and can be mounted at any angle and at any point along the duct. Suitable for wide range diameter sizes (from 4" to 12<sup>3/8"</sup>).

Five year warranty.

### CASING

The fans' casing is made of high quality, UV-resistant plastic (flame rating – 5VA).

### MOTOR

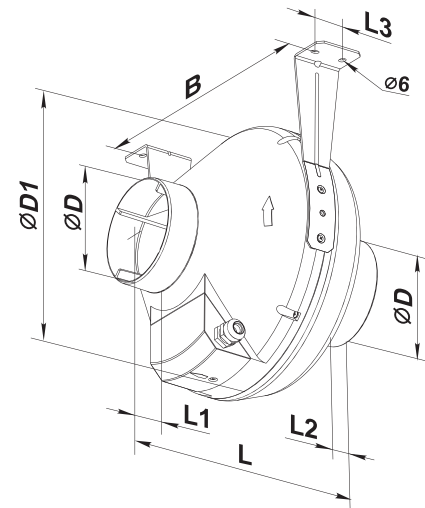
The fan is fitted with backward curved centrifugal impeller driven by powerful sealed external rotor motor with lifelong bearings and thermal protection.

### SUITABLE FOR:

The fans are suitable for a wide range of residential and commercial exhaust or supply air applications, such as bathrooms, kitchens, restaurants or equipment cooling.

### DIMENSIONS

Model	Measurements [in.]							lbs
	ØD	ØD1	B	L	L1	L2	L3	
VK 100	3 15/16"	9 13/16"	10 5/8"	9 1/16"	1 3/16"	1 1/16"	1 3/16"	4.7
VK 125	4 15/16"	9 13/16"	10 5/8"	8 11/16"	1 3/16"	1 1/16"	1 3/16"	4.9
VK 150	5 7/8"	11 13/16"	12 3/16"	11 1/4"	1 3/16"	1 3/16"	1 3/16"	5.7
VK 200	7 7/8"	13 3/8"	13 15/16"	10 7/8"	1 3/16"	1 3/16"	1 9/16"	8.8
VK 250	9 13/16"	13 3/8"	13 15/16"	10 7/16"	1 3/16"	1 3/16"	1 9/16"	9.9
VK 315	12 3/8"	15 3/4"	16 5/16"	16 5/16"	1 9/16"	2 3/16"	1 9/16"	11.2



Tel: 888-640-0925  
513-348-3853  
Fax: 513-268-4597

Sales@ventsus.com  
VentsUS.com  
11013 Kenwood Road,  
Cincinnati, Ohio 45242



2013-03



Please see performance table for Energy Star Rated Models



# VK

**PRODUCT SPECIFICATIONS**

**TECHNICAL DATA**

**INLINE CENTRIFUGAL FAN**

## PERFORMANCE

Model	Energy Star certified	Duct dia	RPM*	Sones	Watts*	CFM vs. Static Pressure (Ps) in WG										Volts/Hz
						0"	0.125"	0.2"	0.25"	0.375"	0.5"	0.75"	1.0"	1.25"	1.5"	
VK 100		4"	3088	8.5	106	162	155	150	147	141	134	120	104	87	67	120/60
VK 125		5"	2960	7.1	114	235	222	214	207	193	178	151	123	99	72	120/60
VK 150		6"	2907	7.2	113	317	300	289	282	265	247	212	178	132	68	120/60
VK 200	+	8"	2650	8.1	142	583	560	544	532	497	462	390	320	255	196	120/60
VK 250		10"	2604	10.2	293	735	699	675	658	625	558	507	432	369	307	120/60
VK 315	+	12 3/8"	2741	11.5	271	837	800	772	755	707	659	564	474	387	307	120/60

\* The parameters RPM, Watts are indicated at 0.2 in. WG static pressure.

MODEL	QUANTITY	COMMENTS	PROJECT
			location:
			architect:
			engineer:
			contractor:
			submitted by:

Tel: 888-640-0925  
513-348-3853  
Fax: 513-268-4597

Sales@ventsus.com  
VentsUS.com  
11013 Kenwood Road,  
Cincinnati, Ohio 45242



2013-03