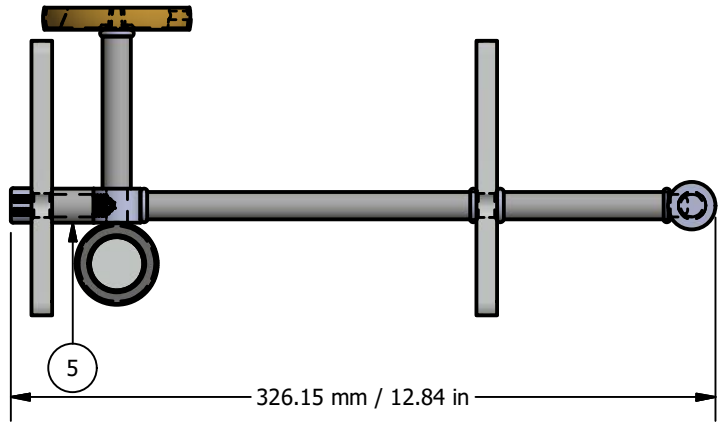
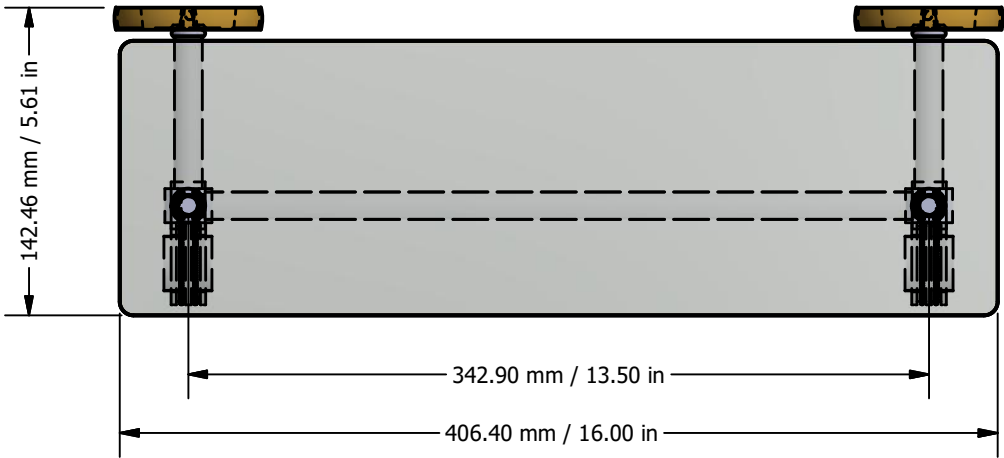
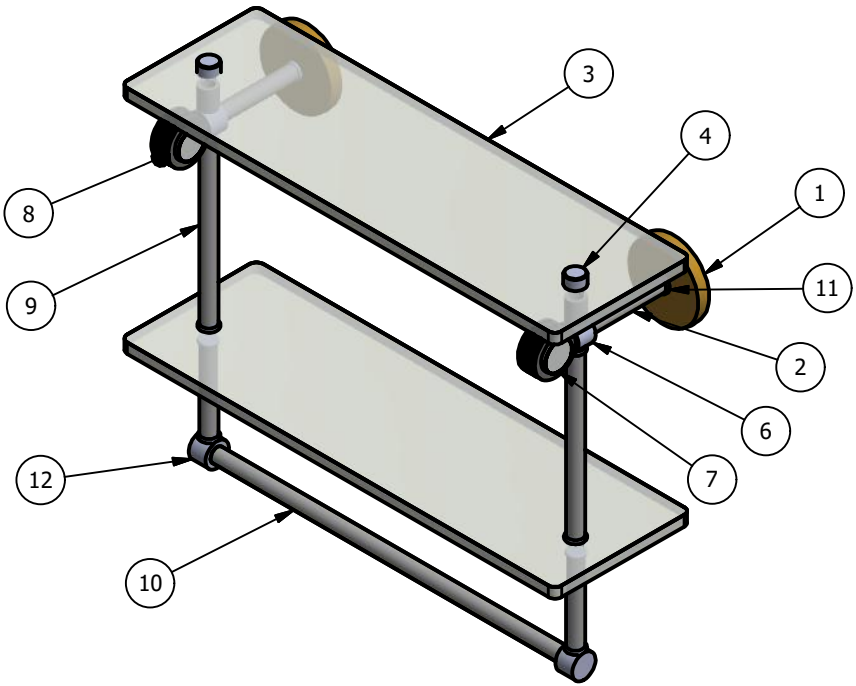


2

1

ITEM	QTY	PART NUMBER	DESCRIPTION
1	2	BPRD	BACKPLATE
2	4	TU12-3	TUBE
3	2	GLRT-16	16" GLASS
4	2	CARD-58	CAP
5	2	PSRDS-58	HUB
6	2	HBGAL-FITT	HUB
7	2	AC-HHUB	ACRYLIC HUB
8	2	RGDTT-1	RING WITH NEW SIZE HOLE
9	2	TU12-6	TUBE
10	2	TU12-13.5	TOWEL BAR TUBE
11	6	CRRD-12	CHECK RING
12	2	HBBTT-78	HUB

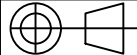


**APPROVED FOR PRODUCTION**  
 By: RICHARD PAUL  
 Date: 11-13-18

UNLESS OTHERWISE SPECIFIED	
.X	± .3mm
.XX	± .15mm
.XXX	± .008mm

UNIT IS IN MM.

DRAWN	11-13-18	IM
CHECKED	11-13-18	P.D.
APPROVED	11-13-18	R.A.



THIRD ANGLE PROJECTION

MATERIAL: BRASS  
 DESCRIPTION:  
 Clearview Collection 16 Inch  
 Two Tiered Glass Shelf w/ Towel Bar  
 with Dotted Accent



FINISH	TBD
QTY	TBD
DRAWING NO.	REV
CV-2D-TB-16	0
SCALE	1.5:1 SHEET: 1 OF 1 A4

2

1