



SUMMIT

GRILL OWNER'S GUIDE

E-470 · S-470

LP

REGISTER YOUR GRILL

Thank you for purchasing a WEBER grill. Take a few minutes to protect your investment by registering your grill online at www.weber.com. Reference the serial number on the front cover of this owner's guide.



YOU MUST READ THIS OWNER'S GUIDE BEFORE OPERATING YOUR GAS GRILL.

⚠ DANGER

If you smell gas:

- 1) Shut off gas to the appliance.
- 2) Extinguish any open flames.
- 3) Open lid.
- 4) If odor continues, keep away from the appliance and immediately call your gas supplier or your fire department.

Leaking gas may cause a fire or explosion which can cause serious bodily injury, death, or damage to property.

Carefully follow all leak-check procedures in this Owner's Guide prior to grill operation. Do this even if the grill was dealer-assembled.

Do not ignite this appliance without first reading the burner ignition sections of this manual.

⚠ WARNING

- 1) Do not store or use gasoline or other flammable liquids or vapors in the vicinity of this or any other appliance.
- 2) An LP tank not connected for use shall not be stored in the vicinity of this or any other appliance.

THIS GAS APPLIANCE IS DESIGNED FOR OUTDOOR USE ONLY.

NOTICE TO INSTALLER: These instructions must be left with the owner, who should keep them for future use.



59824

US - ENGLISH
12/01/17

WARNINGS

⚠ DANGER

Failure to follow the Dangers, Warnings and Cautions contained in this Owner's Manual may result in serious bodily injury or death, or in a fire or an explosion causing damage to property.

⚠ WARNINGS

- ⚠ Do not store a spare or disconnected liquid propane tank under or near this grill.
- ⚠ Improper assembly may be dangerous. Please follow the assembly instructions carefully.
- ⚠ After a period of storage, and/or nonuse, the WEBER gas grill should be checked for gas leaks and burner obstructions before use. See instructions in this manual for correct procedures.
- ⚠ Do not operate the WEBER gas grill if there is a gas leak present.
- ⚠ Do not use a flame to check for gas leaks.
- ⚠ Combustible materials should never be within 24 inches (61 cm) of the back or sides of your WEBER gas grill.
- ⚠ Do not put a grill cover or anything flammable on, or in the storage area under the grill.
- ⚠ Your WEBER gas grill should never be used by children. Accessible parts of the grill may be very hot. Keep young children away while it is in use.
- ⚠ You should exercise reasonable care when operating your WEBER gas grill. It will be hot during cooking or cleaning and should never be left unattended, or moved while in operation.
- ⚠ Should the burners go out while in operation, turn all gas valves off. Open the lid and wait five minutes before attempting to relight, using the igniting instructions.
- ⚠ Do not use charcoal or lava rock in your WEBER gas grill.
- ⚠ Never lean over open grill or place hands or fingers on the front edge of the cookbox.
- ⚠ Should a grease fire occur, turn off all burners and leave lid closed until fire is out.
- ⚠ Do not enlarge valve orifices or burner ports when cleaning the valves or burners.
- ⚠ The WEBER gas grill should be thoroughly cleaned on a regular basis.
- ⚠ Liquid propane gas is not natural gas. The conversion or attempted use of natural gas in a liquid propane unit or liquid propane gas in a natural gas unit is dangerous and will void your warranty.

- ⚠ Do not attempt to disconnect any gas fitting while your grill is in operation.
- ⚠ Use heat-resistant grill mitts or gloves when operating grill.
- ⚠ Keep any electrical supply cord and the fuel supply hose away from any heated surfaces.
- ⚠ Combustion byproducts produced when using this product contain chemicals known to the state of California to cause cancer, birth defects, or other reproductive harm.
- ⚠ Do not use this grill unless all parts are in place. The unit must be properly assembled according to the assembly instructions.
- ⚠ Do not build this model of grill in any built-in or slide-in construction. Ignoring this Warning could cause a fire or an explosion that can damage property and cause serious bodily injury or death.
- ⚠ Proposition 65 Warning: Handling the brass material on this product exposes you to lead, a chemical known to the state of California to cause cancer, birth defects or other reproductive harm.
(Wash hands after handling this product.) ♦

LIQUID PROPANE GAS UNITS ONLY:

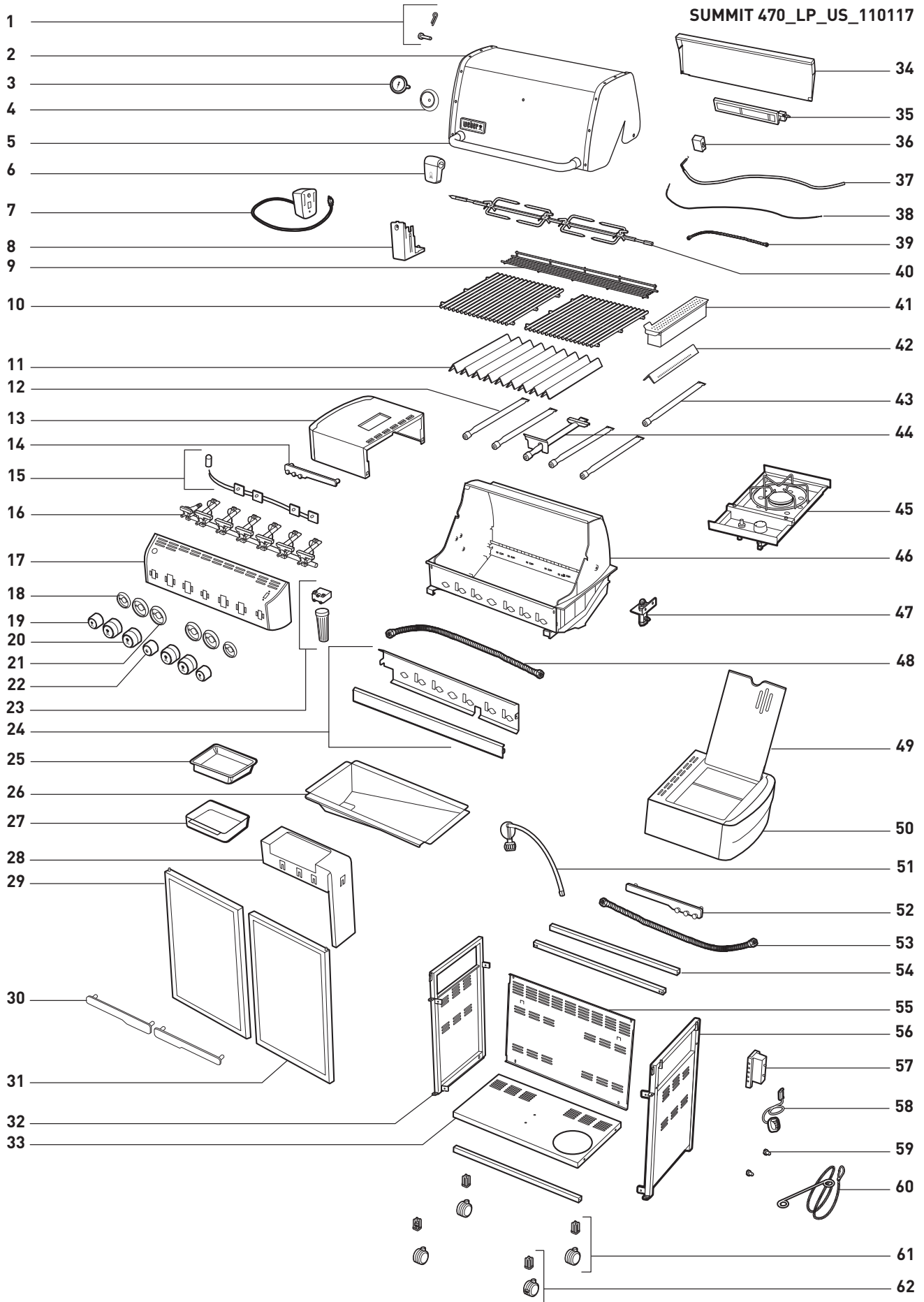
- ⚠ Use the pressure regulator and hose assembly that is supplied with your WEBER gas grill.
- ⚠ Do not attempt to disconnect the gas regulator and hose assembly or any gas fitting while your grill is in operation.
- ⚠ A dented or rusty liquid propane tank may be hazardous and should be checked by your liquid propane supplier. Do not use a liquid propane tank with a damaged valve.
- ⚠ Although your liquid propane tank may appear to be empty, gas may still be present, and the tank should be transported and stored accordingly.
- ⚠ If you see, smell or hear the hiss of escaping gas from the liquid propane tank:
 1. Move away from liquid propane tank.
 2. Do not attempt to correct the problem yourself.
 3. Call your fire department. ♦

TABLE OF CONTENTS

WARNINGS	2	SEAR STATION IGNITION & USAGE	22
TABLE OF CONTENTS	3	SEAR STATION BURNER IGNITION	22
EXPLODED VIEW	4	TO EXTINGUISH	22
EXPLODED VIEW LIST	5	SEAR STATION BURNER MANUAL IGNITION	23
WARRANTY	6	TO EXTINGUISH	23
GENERAL INSTRUCTIONS	7	USING THE SEAR STATION	23
CANADIAN INSTALLATION	7	SMOKER BURNER IGNITION & USAGE	24
OPERATING	7	SMOKER BURNER IGNITION	24
STORAGE AND/OR NONUSE.....	7	TO EXTINGUISH	24
GAS INSTRUCTIONS	8	SMOKER BURNER MANUAL IGNITION	25
SAFE HANDLING TIPS FOR LIQUID PROPANE GAS TANKS	8	TO EXTINGUISH	25
IMPORTANT LP TANK INFORMATION	9	USING THE SMOKER	26
LEAK CHECK PREPARATION	9	CLEANING THE SMOKER	26
CHECK FOR GAS LEAKS	11	ROTISSERIE BURNER IGNITION & USAGE	27
REFILLING THE LIQUID PROPANE TANK	13	ROTISSERIE BURNER IGNITION	27
LIGHT FEATURES	13	TO EXTINGUISH	27
GRILL LIGHT OPERATION	13	ROTISSERIE BURNER MANUAL IGNITION	28
LIGHTED CONTROL KNOBS	13	TO EXTINGUISH	28
BEFORE USING THE GRILL	14	IMPORTANT SAFEGUARDS.....	29
FUEL LEVEL.....	14	OPERATING THE ROTISSERIE	29
SLIDE OUT GREASE TRAY AND DISPOSABLE DRIP PAN.....	14	ROTISSERIE COOKING	30
HOSE INSPECTION	14	ROTISSERIE MOTOR STORAGE.....	30
SNAP IGNITION OPERATION	15	ROTISSERIE SPIT STORAGE	30
MAIN BURNER IGNITION & USAGE	16	TROUBLESHOOTING	31
MAIN BURNER IGNITION	16	SIDE BURNER TROUBLESHOOTING	31
TO EXTINGUISH	16	SEAR STATION TROUBLESHOOTING	32
MAIN BURNER MANUAL IGNITION	17	ROTISSERIE TROUBLESHOOTING	32
TO EXTINGUISH	17	GRILL LIGHT TROUBLESHOOTING	32
GRILLING TIPS & HELPFUL HINTS	18	MAINTENANCE	33
PREHEATING	18	CLEANING	33
COVERED COOKING.....	18	WEBER SPIDER/INSECT SCREENS.....	33
DRIPPINGS AND GREASE.....	18	BURNER TUBE CLEANING.....	33
FLAVORIZER SYSTEM	18	REPLACING MAIN BURNERS.....	34
SEAR STATION	18	SIDE BURNER MAINTENANCE	35
COOKING METHODS	19	ANNUAL MAINTENANCE	36
DIRECT COOKING	19	MAINTAINING THE GRILL LIGHT	36
INDIRECT COOKING	19	SIDE BURNER IGNITION & USAGE	20
SIDE BURNER IGNITION & USAGE	20	SIDE BURNER IGNITION.....	20
SIDE BURNER IGNITION.....	20	TO EXTINGUISH	20
TO EXTINGUISH	20	SIDE BURNER MANUAL IGNITION.....	21
SIDE BURNER MANUAL IGNITION.....	21	TO EXTINGUISH	21
TO EXTINGUISH	21		

EXPLODED VIEW

SUMMIT 470_LP_US_110117



EXPLODED VIEW LIST

- | | | |
|----------------------------------|--------------------------------|-----------------------------|
| 1. Shroud Hardware | 22. SEAR STATION Knob | 43. Smoker Burner |
| 2. Shroud | 23. Battery Housing | 44. SEAR STATION Burner |
| 3. Thermometer | 24. Water Baffle / Heat Shield | 45. Side Burner |
| 4. Thermometer Bezel | 25. Disposable Drip Pan | 46. Cookbox |
| 5. Handle | 26. Slide Out Grease Tray | 47. Bulkhead |
| 6. Grill Light | 27. Catch Pan | 48. Manifold Hose |
| 7. Rotisserie Motor | 28. Catch Pan Holder | 49. Side Burner Lid |
| 8. Rotisserie Bracket | 29. Left Door | 50. Side Burner Table |
| 9. Warming Rack | 30. Door Handle | 51. Hose / Regulator |
| 10. Cooking Grate | 31. Right Door | 52. Right Tool Holder |
| 11. FLAVORIZER Bar | 32. Left Frame Panel | 53. Side Burner Hose |
| 12. Burner Tube | 33. Bottom Panel | 54. Frame Support |
| 13. Side Table | 34. IR Burner Cover | 55. Back Panel |
| 14. Left Tool Holder | 35. Infrared Burner | 56. Right Frame Panel |
| 15. Control Panel Wiring Harness | 36. IR Burner Box | 57. Tank Scale |
| 16. Manifold | 37. IR Burner Igniter Wire | 58. LED Tank Scale Assembly |
| 17. Control Panel | 38. Thermocouple | 59. Tank Glide |
| 18. Small Knob Bezel | 39. IR Burner Hose | 60. Matchstick Holder |
| 19. Small Knob | 40. Rotisserie Spit Assembly | 61. Caster |
| 20. Large Knob | 41. Smoker Box | 62. Locking Caster |
| 21. Large Knob Bezel | 42. Smoker Bar | |

The WEBER Promise

At WEBER, we pride ourselves on two things: making grills that last and providing a lifetime of excellent customer service.

Warranty

Thank you for purchasing a WEBER product. Weber-Stephen Products LLC, 1415 S. Roselle Road, Palatine, Illinois 60067 and its Americas Business units ("WEBER") pride ourselves on delivering a safe, durable, and reliable product.

This is WEBER's Voluntary Warranty provided to you at no extra charge. It contains the information you will need to have your WEBER product repaired or replaced in the unlikely event of a failure or defect.

Pursuant to applicable laws, the Owner has several rights in case the product is defective. Those rights include supplementary performance or replacement, abatement of the purchasing price, and compensation. These and other statutory rights remain unaffected by this Warranty provision. In fact, this Warranty grants additional rights to the Owner that are independent from statutory Warranty provisions.

WEBER's Voluntary Warranty

WEBER warrants, to the purchaser of the WEBER product (or in the case of a gift or promotional situation, the person for whom it was purchased as a gift or promotional item) ("Owner"), that the WEBER product is free from defects in material and workmanship for ten (10) years from the date of purchase when assembled and operated in accordance with the accompanying Owner's Manual, normal wear and tear excluded. (Note: If you lose or misplace your WEBER Owner's Manual, a replacement is available online at www.weber.com.) WEBER agrees within the framework of this warranty to repair or replace the part that is defective in material or workmanship subject to the limitations, and exclusions listed below. TO THE EXTENT ALLOWABLE BY APPLICABLE LAW, THIS WARRANTY IS EXTENDED ONLY TO THE ORIGINAL PURCHASER AND IS NOT TRANSFERABLE TO SUBSEQUENT OWNERS, EXCEPT IN THE CASE OF GIFTS AND PROMOTIONAL ITEMS AS NOTED ABOVE.

WEBER stands by its products and is happy to provide you with the Warranty described for material defects in the grill or its relevant components, normal wear and tear excepted.

- "Normal wear and tear" includes cosmetic and other immaterial deterioration that may come with ownership of your grill over time, such as surface rust, dents / scratches, etc.

However, WEBER will honor this Warranty for the grill or its relevant components where damage or dysfunction results from a material defect.

- "Material defect" includes rust through or burn through of certain parts, or other damage or failure inhibiting your ability to safely / properly use your grill.

Owner's Responsibilities Under this Warranty / Exclusion of Warranty

To ensure trouble-free Warranty coverage, it is important (but not required) that you register your WEBER product online at www.weber.com. Please also retain your original sales receipt and/or invoice.

Registering your WEBER product confirms your warranty coverage, will expedite any Warranty claims you may need to make, and provides a direct link between you and WEBER in case we need to contact you. If you have not had time to register your grill before calling for Warranty service, please have the following information available when you do call: Name – Address – Phone Number – Email – Serial Number – Purchase Date – Purchase Dealer – Model – Color – Primary Issue

The above warranty only applies if the Owner takes reasonable care of the WEBER product by following all assembly instructions, usage instructions, and preventative maintenance as outlined in the accompanying Owner's Manual, unless the Owner can prove that the defect or failure is independent of non-compliance with the above mentioned obligations. If you live in a coastal area, or have your product located near a pool, maintenance includes regular washing and rinsing of the exterior surfaces as outlined in the accompanying Owner's Manual.

This WARRANTY lapses if there are damages, deteriorations, discolorations, and/or rust for which WEBER is not responsible caused by:

- Abuse, misuse, alteration, modification, misapplication, vandalism, neglect, improper assembly or installation, and failure to properly perform normal and routine maintenance;
- Insects (such as spiders) and rodents (such as squirrels), including but not limited to damage to burners and/or gas hoses;
- Exposure to salt air and/or chlorine sources such as swimming pools and hot tubs/spas;
- Severe weather conditions such as hail, hurricanes, earthquakes, tsunamis or surges, tornadoes or severe storms.
- Acid rain and other environmental factors

The use and/or installation of parts on your WEBER product that are not genuine WEBER parts will void this Warranty, and any damages that result hereby are not covered by this Warranty. Any conversion of a gas grill not authorized by WEBER and performed by a WEBER authorized service technician will void this Warranty.

Warranty Processing

If you believe that you have a part which is covered by this Warranty, please contact WEBER Customer Service using the contact information on our website (www.weber.com). WEBER will, upon investigation, repair or replace (at its option) a defective part that is covered by this Warranty. In the event that repair or replacement are not possible, WEBER may choose (at its option) to replace the grill in question with a new grill of equal or greater value. WEBER may ask you to return parts for inspection, shipping charges to be pre-paid by Owner.

When you contact Customer Service, please have the following information available:

Name – Address – Phone Number – Email – Serial Number – Purchase Date – Purchase Dealer – Model – Color – Primary Issue

Disclaimers

APART FROM THE WARRANTY AND DISCLAIMERS AS DESCRIBED IN THIS WARRANTY STATEMENT, THERE ARE EXPLICITLY NO FURTHER WARRANTY OR VOLUNTARY DECLARATIONS OF LIABILITY GIVEN HERE WHICH GO BEYOND THE STATUTORY LIABILITY APPLYING TO WEBER. THE PRESENT WARRANTY STATEMENT ALSO DOES NOT LIMIT OR EXCLUDE SITUATIONS OR CLAIMS WHERE WEBER HAS MANDATORY LIABILITY AS PRESCRIBED BY STATUTE.

NO WARRANTIES SHALL APPLY AFTER THE TEN (10) YEAR PERIOD OF THIS WARRANTY. NO OTHER WARRANTIES GIVEN BY ANY PERSON, INCLUDING A DEALER OR RETAILER, WITH RESPECT TO ANY PRODUCT (SUCH AS ANY "EXTENDED WARRANTIES"), SHALL BIND WEBER. THE EXCLUSIVE REMEDY OF THIS WARRANTY IS REPAIR OR REPLACEMENT OF THE PART OR PRODUCT.

IN NO EVENT UNDER THIS VOLUNTARY WARRANTY SHALL RECOVERY OF ANY KIND BE GREATER THAN THE AMOUNT OF THE PURCHASE PRICE OF THE WEBER PRODUCT SOLD.

YOU ASSUME THE RISK AND LIABILITY FOR LOSS, DAMAGE, OR INJURY TO YOU AND YOUR PROPERTY AND/OR TO OTHERS AND THEIR PROPERTY ARISING OUT OF THE MISUSE OR ABUSE OF THE PRODUCT OR FAILURE TO FOLLOW INSTRUCTIONS PROVIDED BY WEBER IN THE ACCOMPANYING OWNER'S MANUAL.

PARTS AND ACCESSORIES REPLACED UNDER THIS WARRANTY ARE WARRANTED ONLY FOR THE BALANCE OF THE ABOVE MENTIONED ORIGINAL TEN (10) YEAR WARRANTY PERIOD.

THIS WARRANTY APPLIES TO PRIVATE SINGLE FAMILY HOME OR APARTMENT USE ONLY AND DOES NOT APPLY TO WEBER® GRILLS USED IN COMMERCIAL, COMMUNAL OR MULTI-UNIT SETTINGS SUCH AS RESTAURANTS, HOTELS, RESORTS, OR RENTAL PROPERTIES.

WEBER MAY FROM TIME TO TIME CHANGE THE DESIGN OF ITS PRODUCTS. NOTHING CONTAINED IN THIS WARRANTY SHALL BE CONSTRUED AS OBLIGATING WEBER TO INCORPORATE SUCH DESIGN CHANGES INTO PREVIOUSLY MANUFACTURED PRODUCTS, NOR SHALL SUCH CHANGES BE CONSTRUED AS AN ADMISSION THAT PREVIOUS DESIGNS WERE DEFECTIVE.

**Weber-Stephen Products LLC
Customer Service Center
1415 S. Roselle Road
Palatine, IL 60067
U.S.A.**

**For replacement parts, call:
1-800-446-1071**

GENERAL INSTRUCTIONS

The WEBER gas grill is portable so you can easily change its location in your yard or on your patio. Portability means you can take your WEBER gas grill with, if you move.

Liquid Propane (LP) gas supply is easy to use and gives you more cooking control than charcoal fuel.

- These instructions will give you the minimum requirements for assembling your WEBER gas grill. Please read the instructions carefully before using your WEBER gas grill. Improper assembly can be dangerous.
- Not for use by children.
- If there are local codes that apply to portable gas grills, you will have to conform to them. Installation must conform with local codes or, in the absence of local codes, with either the National Fuel Gas Code, ANSI Z223.1/NFPA 54, Natural Gas and Propane Installation Code, CSA B149.1, or Propane Storage and Handling Code, B149.2, or the Standard for Recreational Vehicles, ANSI A 119.2/NFPA 1192, and CSA Z240 RV Series, Recreational Vehicle Code, as applicable.
- The pressure regulator supplied with the WEBER gas grill must be used. This regulator is set for 11 inches of water column (pressure).
- This WEBER gas grill is designed for use with liquid propane (LP) gas only. Do not use with natural (piped in city) gas. The valves, orifices, hose and regulator are for LP gas only.
- Do not use with charcoal fuel.
- Check that the area under the control panel and the slide out grease tray are free from debris that might obstruct the flow of combustion or ventilation air.
- The areas around the LP tank must be free and clear from debris.
- Replacement pressure regulators and hose assemblies must be those specified by Weber-Stephen Products LLC. ♦

CANADIAN INSTALLATION

These instructions, while generally acceptable, do not necessarily comply with the Canadian Installation codes, particularly with piping above and below ground. In Canada, the installation of this appliance must comply with local codes and/or the latest edition of Standard CAN/CSA-B149.2 (Propane Storage and Handling Code). ♦

OPERATING

- ⚠ **WARNING: Only use this grill outdoors in a well-ventilated area. Do not use in a garage, building, breezeway or any other enclosed area.**
- ⚠ **WARNING: Keep ventilation openings for tank enclosure free and clear from debris.**
- ⚠ **WARNING: Your WEBER gas grill shall not be used under overhead combustible construction.**
- ⚠ **WARNING: Your WEBER gas grill is not intended to be installed in or on recreational vehicles and/or boats.**
- ⚠ **WARNING: Do not use the grill within 24 inches of combustible materials.**
- ⚠ **WARNING: The entire cookbox gets hot when in use. Do not leave unattended.**
- ⚠ **WARNING: Keep electrical supply cord and the fuel supply hose away from heated surfaces.**
- ⚠ **WARNING: Keep the cooking area clear of flammable vapors and liquids such as gasoline, alcohol, etc., and combustible materials.**
- ⚠ **WARNING: Never store an extra (spare) LP tank under or near the WEBER gas grill.**
- ⚠ **WARNING: The LP tank used with your grill must be with a listed OPD (Overfilling Prevention Device) and a QCC1 or Type 1 (CGA810) tank connection. The tank connection must be compatible with the grill connection. ♦**

⚠ **ATTENTION: This product has been safety tested and is only certified for use in a specific country. Refer to country designation located on outer carton.**

These parts may be gas carrying or gas burning components. Please contact Weber-Stephen Products LLC, Customer Service Department for genuine Weber-Stephen Products LLC replacement part(s) information.

⚠ **WARNING: Do not attempt to make any repair to gas carrying, gas burning, igniter components or structural components without contacting Weber-Stephen Products LLC, Customer Service Department. Your actions, if you fail to follow this Product Warning, may cause a fire, an explosion, or structural failure resulting in serious personal injury or death as well as damage to property.**

STORAGE AND/OR NONUSE

- The gas must be turned off at the liquid propane tank when the WEBER gas grill is not in use.
- When the WEBER gas grill is stored indoors, the gas supply must be DISCONNECTED and the LP tank stored outdoors in a well-ventilated space.
- LP tank must be stored outdoors in a well-ventilated area out of reach of children. Disconnected LP tank must not be stored in a building, garage or any other enclosed area.
- When the LP tank is not disconnected from the WEBER gas grill, the appliance and LP tank must be kept outdoors in a well-ventilated space.
- The WEBER gas grill should be checked for gas leaks and any obstructions in the burner tubes before using. [Refer to "MAINTENANCE/ANNUAL MAINTENANCE"].
- Check that the areas under the control panel and the drip tray are free from debris that might obstruct the flow of combustion or ventilation air.
- The Spider/Insect screens should also be checked for any obstructions. [Refer to "MAINTENANCE/ANNUAL MAINTENANCE"]. ♦

GAS INSTRUCTIONS

SAFE HANDLING TIPS FOR LIQUID PROPANE GAS TANKS

- Liquid Propane (LP) gas is a petroleum product as are gasoline and natural gas. LP gas is a gas at regular temperatures and pressures. Under moderate pressure, inside a tank, LP gas is a liquid. As the pressure is released, the liquid readily vaporizes and becomes gas.
- LP gas has an odor similar to natural gas. You should be aware of this odor.
- LP gas is heavier than air. Leaking LP gas may collect in low areas and prevent dispersion.
- To fill, take the LP tank to a propane gas dealer, or look up "gas-propane" in the phone book for other sources of LP gas.

⚠ WARNING: We recommend that your LP tank be filled at an authorized LP gas dealer, by a qualified attendant, who fills the tank by weight. IMPROPER FILLING IS DANGEROUS.

- Air must be removed from a new LP tank before the initial filling. Your LP dealer is equipped to do this.
- The LP tank must be installed, transported, and stored in an upright position. LP tanks should not be dropped or handled roughly.
- Never store or transport the LP tank where temperatures can reach 125° F (too hot to hold by hand). For example: do not leave the LP tank in a car on a hot day.

Note: A refill will last about 18–20 hours of cooking time at normal use. The fuel scale, a feature on some of our grills, will indicate the propane supply so you can refill the tank before running out. You do not have to run out before you refill.

- Treat "empty" LP tanks with the same care as when full. Even when the LP tank is empty of liquid, there still may be gas pressure in the tank. Always close the tank valve before disconnecting.

⚠ CAUTION: Place dust cap on tank valve outlet whenever the tank is not in use. Only install the type of dust cap on the tank valve outlet that is provided with the tank valve. Other types of caps or plugs may result in leakage of propane.

- Do not use a damaged LP tank. A dented or rusty LP tank or an LP tank with a damaged valve may be hazardous and should be replaced with a new one immediately.
- The joint where the hose connects to the LP tank must be leak tested each time the LP tank is reconnected. For example, test each time the LP tank is refilled.
- Be sure the regulator is mounted with the small vent hole pointed downward so that it will not collect water. This vent should be free of dirt, grease, bugs, etc.
- The gas connections supplied with your WEBER gas appliance have been designed and tested to meet 100% CSA and ANSI requirements.

⚠ WARNING: Replacement LP tanks must match the regulator connection supplied with this WEBER gas appliance.

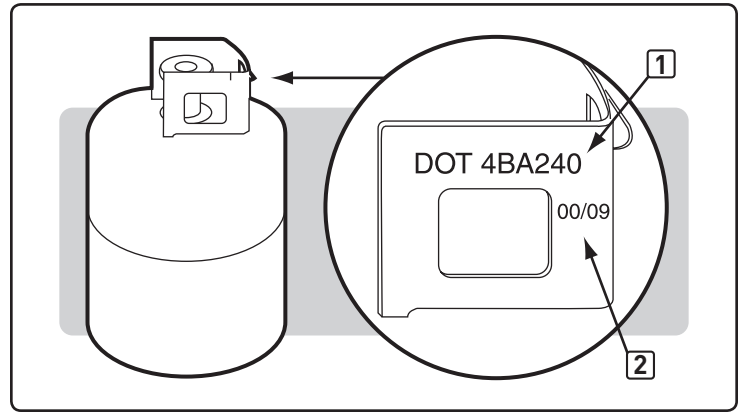
Liquid Propane Tank Requirements

- Check to be sure that tanks have a D.O.T. certification (1), and that they have been date tested (2) is within five years of use. Your LP gas supplier can do this for you.
- All LP tank supply systems must include a collar to protect the tank valve.
- The LP tank must be a 20-lb. size approximately 18¼ inches high and 12¼ inches in diameter.
- The tank must be constructed and marked in accordance with the Specifications for LP - Gas Tanks of the U.S. Department of Transportation (D.O.T.) or the National Standard of Canada, CAN/CSA-B339, Tanks, Spheres and Tubes or Transportation of Dangerous Goods; and Commission, as applicable.

Canadian Liquid Propane Tank Requirements

Note: Your retailer can help you match a replacement tank to your grill.

- The LP tank must be constructed and marked in accordance with the specifications for LP gas tanks, T.C. ♦



GAS INSTRUCTIONS

IMPORTANT LP TANK INFORMATION

⚠ DANGER

NEVER store a spare LP tank under or near WEBER gas appliances. **NEVER** fill the tank beyond 80% full. Failure to follow these statements exactly may result in a fire causing death or serious injury.

WEBER gas appliances are equipped for a tank supply system designed for vapor withdrawal.

⚠ **WARNING: Only use WEBER gas appliances outdoors in a well-ventilated area. Do not use in a garage, building, breezeway or any other enclosed area.**

The proper filling methods for the filling of your tank are by weight or volume, as described in NFPA 58. Please make sure your filling station fills your LP tank by weight or volume. Ask your filling station to read purging and filling instructions on the LP tank before attempting to fill. ♦

LEAK CHECK PREPARATION

Check that all Burner Valves are Off

Valves are shipped in the OFF position, but you should check to be sure that they are turned off. Check by pushing down and turning clockwise. If they do not turn, they are off. If they do turn, continue turning them clockwise until they stop, then they are off.

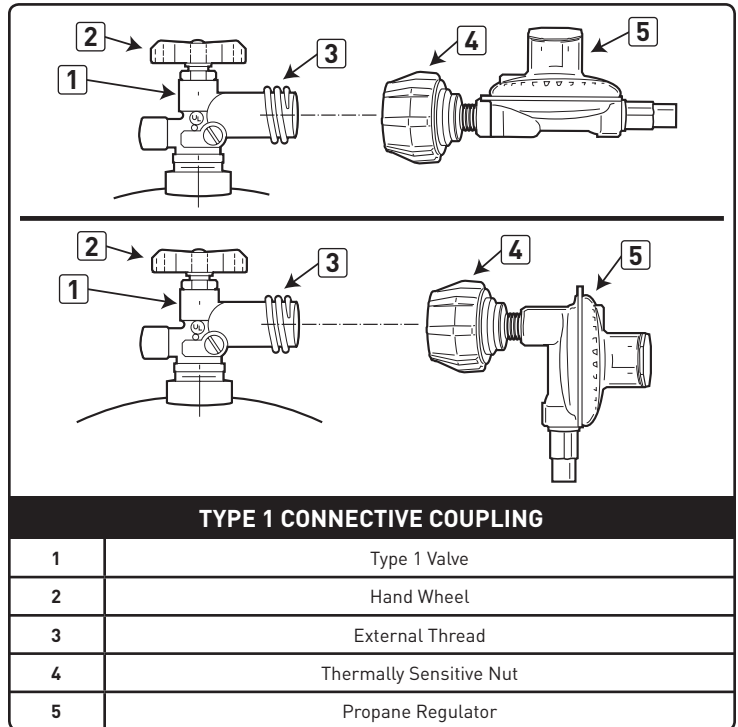
The Liquid Propane Tank

All WEBER liquid propane gas grill regulators are equipped with a UL-Listed tank connection as per the latest edition of ANSI Z21.58. This will require a liquid propane tank that is similarly equipped with a Type 1 connection in the tank valve. This Type 1 coupling allows you to make a fast and totally safe hookup between your gas grill and your liquid propane tank. It eliminates the chance of leaks due to a POL fitting that is not properly tightened. Gas will not flow from the tank unless the Type 1 coupling is fully engaged into the coupling.

⚠ **WARNING: Make sure that the LP tank valve is closed. Close by turning valve clockwise.**

⚠ DANGER

Do not use an open flame to check for gas leaks. Be sure there are no sparks or open flames in the area while you check for leaks. Sparks or flames will result in a fire or explosion which can cause serious bodily injury or death, and damage to property.



GAS INSTRUCTIONS

A) Locate hose retention clip (1) on regulator hose. Secure into slot (2) on underside of tank scale.

⚠ WARNING: The hose must be secured to the tank scale with the Hose Retention Clip. Failure to do so could cause damage to the hose resulting in a fire or explosion which can cause serious bodily injury or death, and damage to property.

Some LP tanks have differing top collar assemblies. (The top collar is the metal protective ring around the valve.) One series of tanks mount with the valve facing front (3). The other tanks mount with the valve facing away from the fuel scale (4). WEBER recommends the use of tank manufacturer's Manchester and Worthington, with a 47.6 lb water capacity. Other tanks may be acceptable for use with the appliance provided they are compatible with the appliance retention means (see illustrations).

The LP tank is installed inside the base cabinet, on the tank scale (right side).

B) Open base cabinet doors.

C) Loosen tank lock wing nut. Swing tank lock up (5).

D) Turn the LP tank so the opening of the valve is either to the front or side of the WEBER gas grill.

E) Lift tank up into position on the tank scale (6).

F) Swing the tank lock down. Tighten the wing nut.

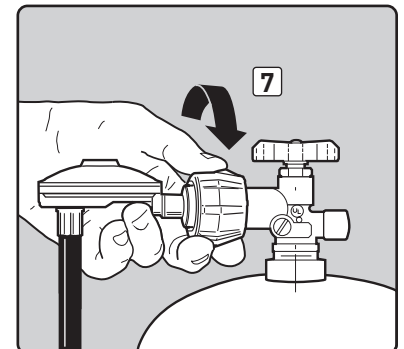
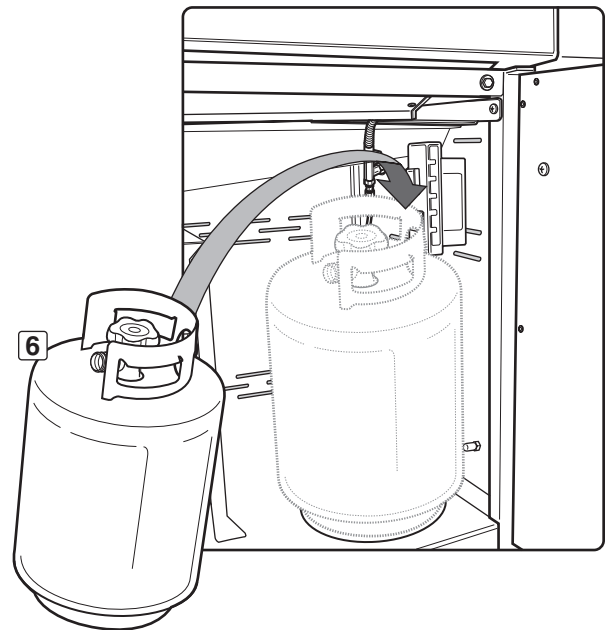
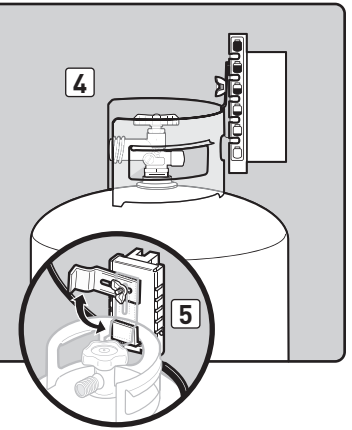
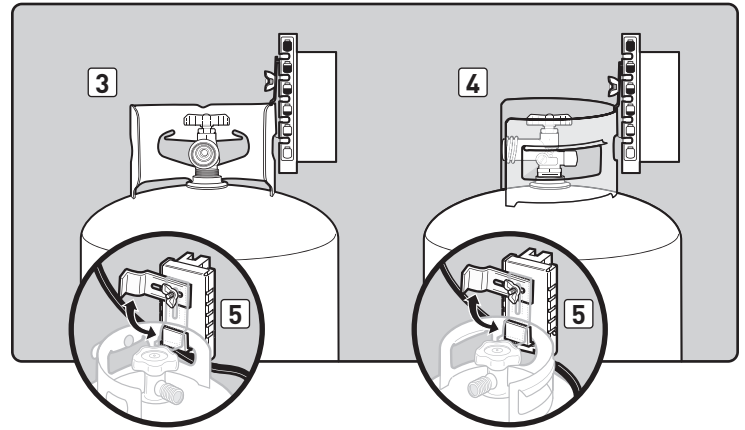
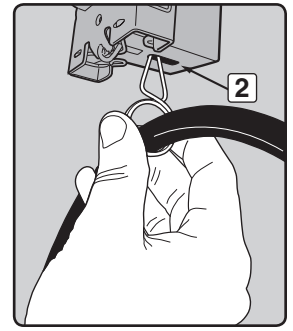
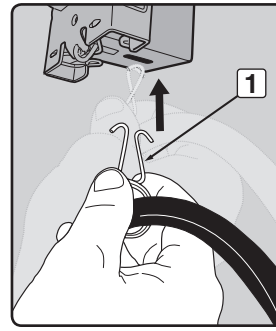
Connect The Hose To The Tank

A) Remove the plastic dust cover from the valve.

B) Screw the regulator coupling onto the tank valve, clockwise, or to the right. Hand-tighten only (7).

Note: This connection tightens clockwise and will not allow gas to flow unless the connection is tight. The connection requires tightening by hand only.

⚠ WARNING: Do not use a wrench to tighten the connection. Using a wrench could damage the regulator coupling and could cause a leak.



GAS INSTRUCTIONS

⚠ WARNING: The gas connections of your SUMMIT Gas Grill have been factory tested. We do however recommend that you leak check all gas connections before operating your SUMMIT Gas Grill.

Remove Control Panel

Tools needed: Screwdriver, pliers, and towels.

- A) Remove burner control knobs (1).
- B) Open both doors. With a screwdriver, remove screws from the underside of control panel (2).
- C) Lift and remove battery housing located inside grill cabinet (3).
- D) Using needle-nose pliers, disconnect wire terminals from the top of battery housing (4). **Do not pull on the wires; remove them by pulling on the wire terminals.**
- E) Place towels on the tops of both door assemblies. **This will protect control panel and door assemblies from getting scratched on next step.**
- F) Tilt bottom of control panel forward. Lift slightly (5) and then rotate it face down to rest on tops of door assemblies. **(Be careful not to break or disconnect wires for the control panel LEDs.)**
- G) Carefully pull battery wires out from the inside of the grill cabinet (6).
- H) Fully open right door. Place control panel on floor, leaning against towel covering right door assembly (7). ♦

CHECK FOR GAS LEAKS

⚠ DANGER

Do not use an open flame to check for gas leaks. Be sure there are no sparks or open flames in the area while you check for leaks. Sparks or open flames will result in a fire or explosion, which can cause serious bodily injury or death and damage to property.

Note: All factory-made connections have been thoroughly checked for gas leaks. The burners have been flame-tested. As a safety precaution, however, you should recheck all fittings for leaks before using your WEBER gas grill. Shipping and handling may loosen or damage a gas fitting.

- ⚠ WARNING: The gas connections of your gas grill have been factory tested. We do however recommend that you leak check all gas connections before operating your gas grill.**
- ⚠ WARNING: Perform these leak checks even if your grill was dealer or store assembled.**

If your grill has a side burner, make sure the side burner is turned off.

Turn on gas supply at source.

⚠ WARNING: Do not ignite burners when leak checking.

You will need: A soap and water solution and a rag or brush to apply it.

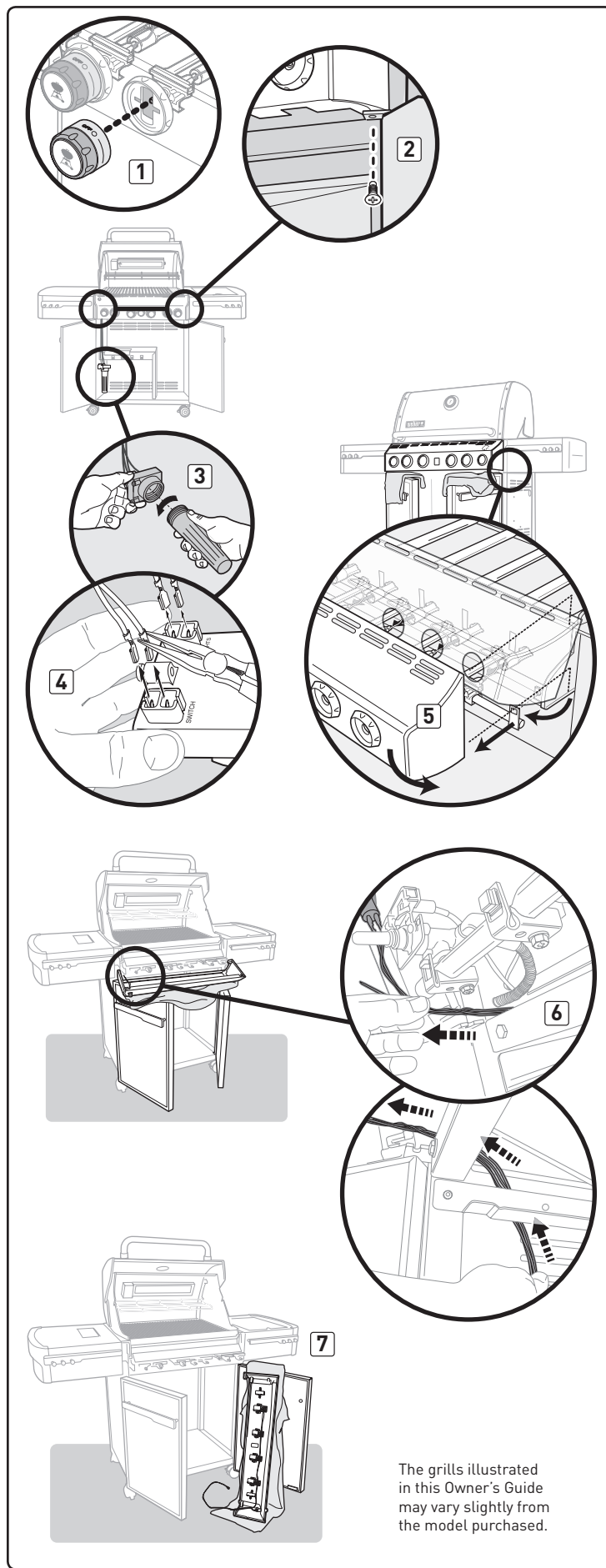
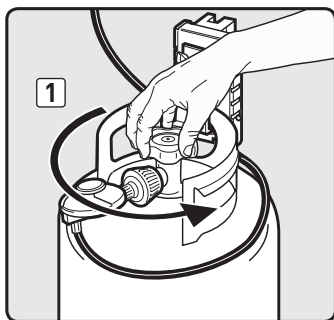
- A) Mix soap and water.
- B) Turn on gas supply (1).
- C) Check for leaks by wetting the fitting with the soap and water solution and watching for bubbles. If bubbles form, or if a bubble grows, there is a leak.

If there is a leak, turn off the gas and tighten the fitting. Turn the gas back on and recheck with the soap and water solution. If leak does not stop, do not use the grill. Contact the Customer Service representative in your area using the contact information on our web site. Log onto www.weber.com.

- D) When leak checking is complete, turn gas supply off at the source and rinse connections with water.

Note: Since some leak test solutions, including soap and water, may be slightly corrosive, all connections should be rinsed with water after checking for leaks.

⚠ WARNING: You should check for gas leaks every time you disconnect and reconnect a gas fitting.



The grills illustrated in this Owner's Guide may vary slightly from the model purchased.

GAS INSTRUCTIONS

Check

- A) Main gas line to manifold connection (1).
- B) Rotisserie (I.R. Burner) gas line connection (2).
- C) Bulkhead and gas supply hose connection (3).
- D) Side burner hose to bulkhead connection (4).

⚠ **WARNING: If there is a leak at connection (1, 2, 3, or 4), retighten the fitting with a wrench and recheck for leaks with soap and water solution. If a leak persists after re-tightening the fitting, turn off the gas. DO NOT OPERATE THE GRILL. Contact the Customer Service Representative in your area using the contact information on our web site. Log onto www.weber.com.**

- E) Side burner hose to quick disconnect connection, side burner valve and orifice connections (5).
- F) Hose to regulator connection (6).
- G) Regulator to tank connection (7).
- H) Valves to manifold connections (8).

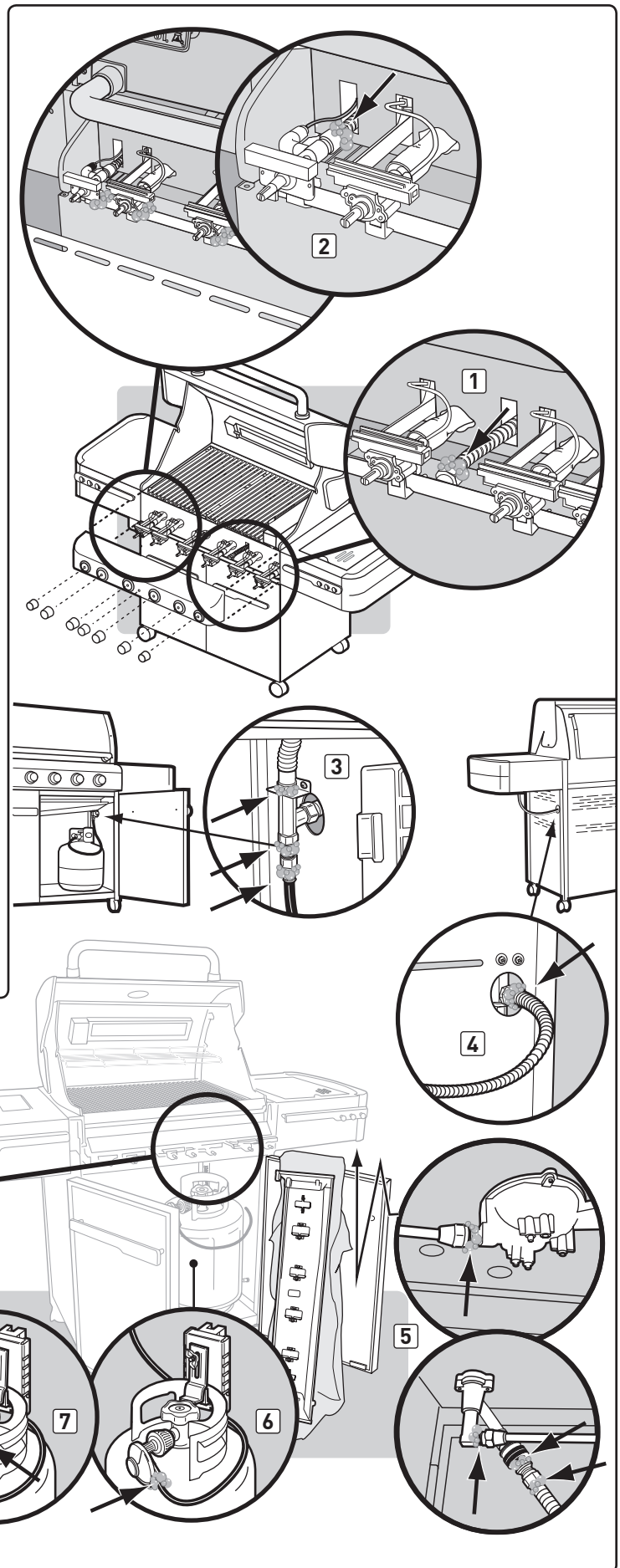
⚠ **WARNING: If there is a leak at connections (5, 6, 7, or 8), turn off the gas. DO NOT OPERATE THE GRILL. Contact the Customer Service Representative in your area using the contact information on our web site. Log onto www.weber.com.**

When leak checks are complete, turn gas supply off at the source and rinse connections with water.

Reinstall Control Panel

- A) To reinstall the control panel assembly, reverse steps for "Remove Control Panel" as previously described.
- B) Verify proper wire connections. Refer to "LIGHT FEATURES".

⚠ **WARNING: Make sure that all parts are assembled and hardware is fully tightened before operating the grill. Your actions, if you fail to follow this product warning, may cause a fire, an explosion, or structural failure resulting in serious personal injury or death as well as damage to property. ♦**



The grills illustrated in this Owner's Guide may vary slightly from the model purchased.

GAS INSTRUCTIONS

REFILLING THE LIQUID PROPANE TANK

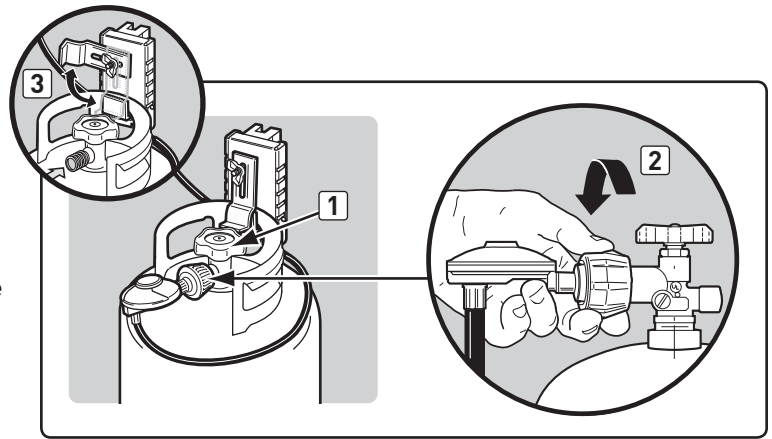
We recommend that you refill the LP tank before it is completely empty.

Removal of the LP tank:

- A) Close tank valve (turn clockwise) (1).
- B) Unscrew regulator coupling by turning counterclockwise, by hand only (2).
- C) Loosen tank lock wing nut and turn tank lock up out of the way (3).
- D) Lift tank off.

To fill, take the LP tank to a gas propane dealer, or look up "gas-propane" in the phone book for other sources of LP gas.

- ⚠ WARNING: We recommend that your LP tank be filled at an authorized LP gas dealer, by a qualified attendant, who fills the tank by weight. IMPROPER FILLING IS DANGEROUS.**
- ⚠ CAUTION: Place dust cap on tank valve outlet whenever the tank is not in use. Only install the type of dust cap on the tank valve outlet that is provided with the tank valve. Other types of caps or plugs may result in leakage of propane. ♦**

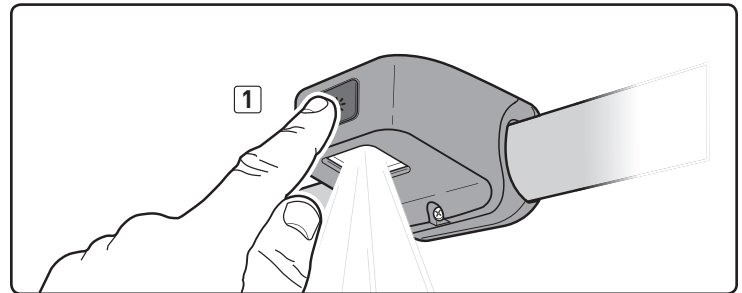


LIGHT FEATURES

GRILL LIGHT OPERATION

Press the AWAKE button to activate the grill light. The light has a 'tilt sensor' that will turn on the light if the grill lid is opened and turn off the light when the grill lid is closed. If the lid is left open or closed for more than 30 minutes, the grill light will deactivate. To turn the light back on, press the AWAKE button (1).

NOTE: The light does not turn OFF by pressing the AWAKE button. ♦

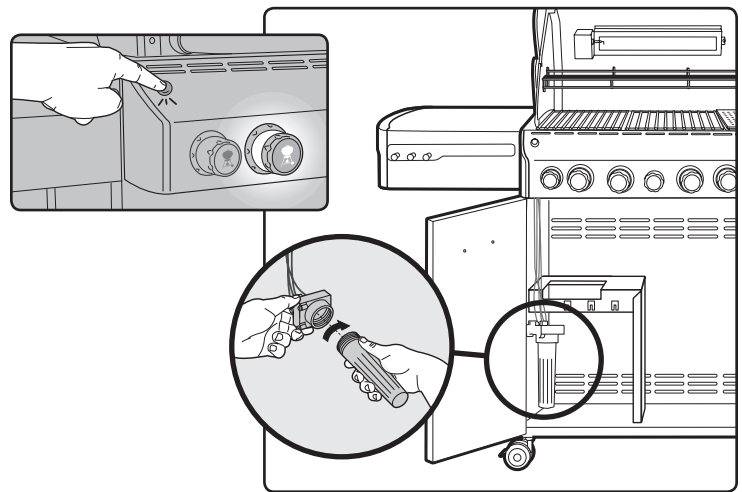


LIGHTED CONTROL KNOBS

Your gas grill comes with control knobs that light up, allowing you to fine tune heat settings, even in low light conditions.

Requires three "D" alkaline batteries. Do not mix old and new batteries or different types of batteries (standard, alkaline, or rechargeable). Battery housing is located inside the cabinet on the left side.

To operate, activate power button. ♦



BEFORE USING THE GRILL

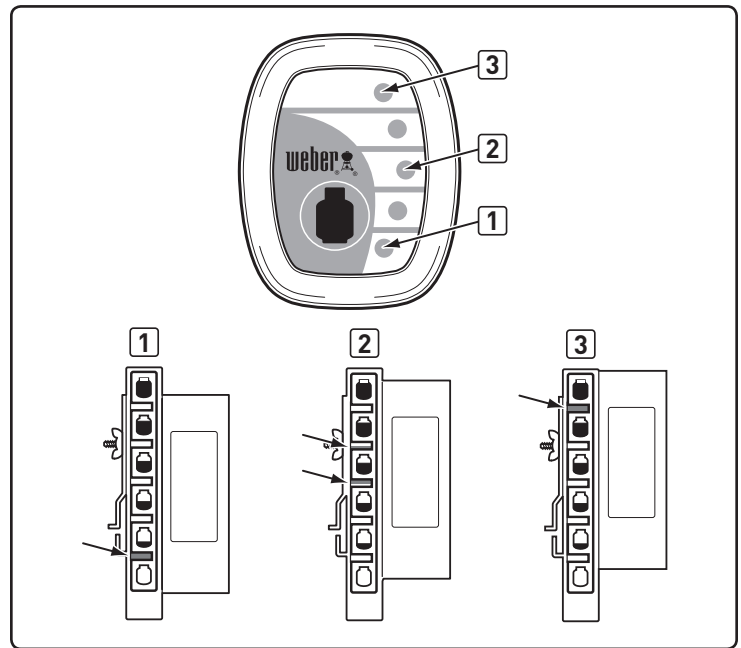
FUEL LEVEL

There are two ways to check the fuel level in your tank: electronically and manually.

To check the level using the electronic tank scale, press the tank scale button, located on the right side of the control panel, for two–three seconds. The LED indicates the fuel level in the tank.

To check the level using the manual tank scale, view the color indicator level line, located on the side of the tank scale.

- A) Empty **(1)**
- B) Medium **(2)**
- C) Full **(3)** ♦

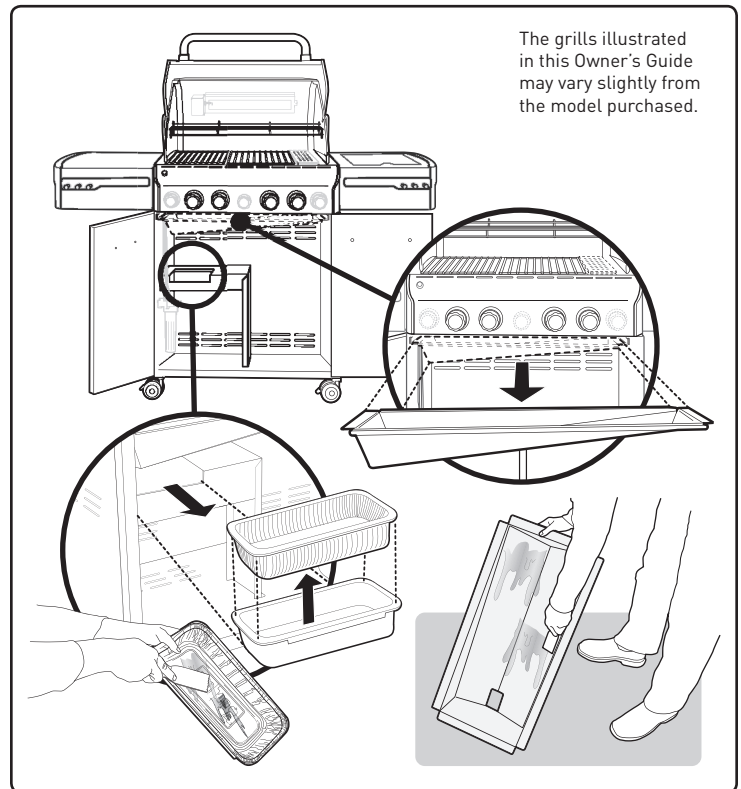


SLIDE-OUT GREASE TRAY AND DISPOSABLE DRIP PAN

Your grill was built with a grease collection system. Check the slide-out grease tray and disposable drip pan for grease build-up each time you use your grill.

Remove excess grease with a plastic spatula; see illustration. When necessary, wash the grease tray and drip pan with a soap and water solution, then rinse with clean water. Replace the disposable drip pan as needed.

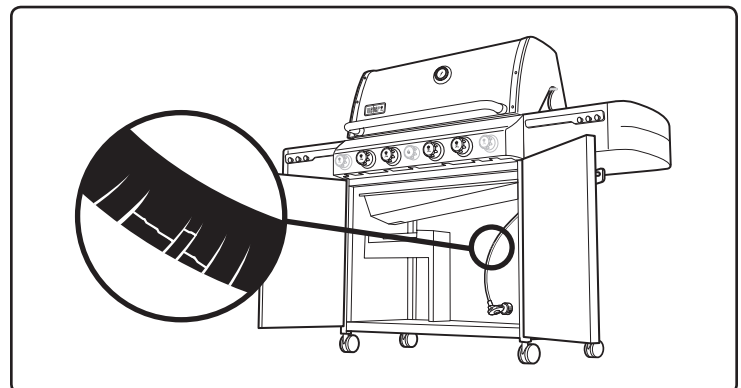
- ⚠ **WARNING:** Check the slide-out grease tray and disposable drip pan for grease build-up before each use. Remove excess grease to avoid a grease fire. A grease fire can cause serious bodily injury or damage to property.
- ⚠ **CAUTION:** Do not line the slide-out grease tray with aluminum foil. ♦



HOSE INSPECTION

The hose should be inspected for any signs of cracking.

- ⚠ **WARNING:** Check hose before each use of grill for nicks, cracking, abrasions or cuts. If the hose is found to be damaged in any way, do not use the grill. Replace using only WEBER authorized replacement hose. Contact the Customer Service Representative in your area using the contact information on our web site. Log onto www.weber.com. ♦

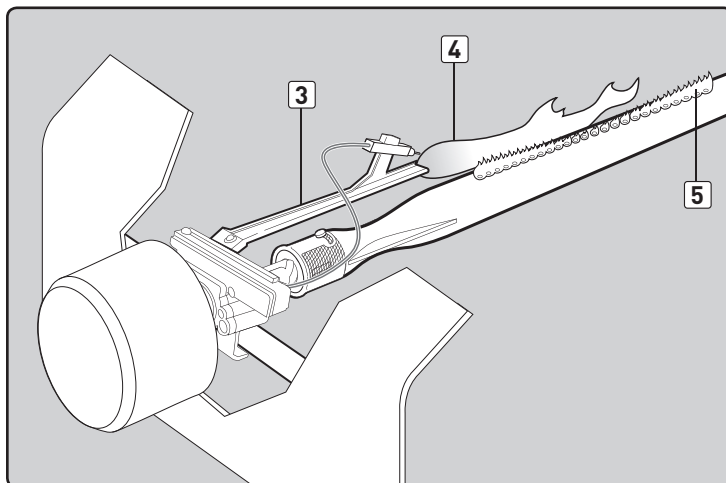
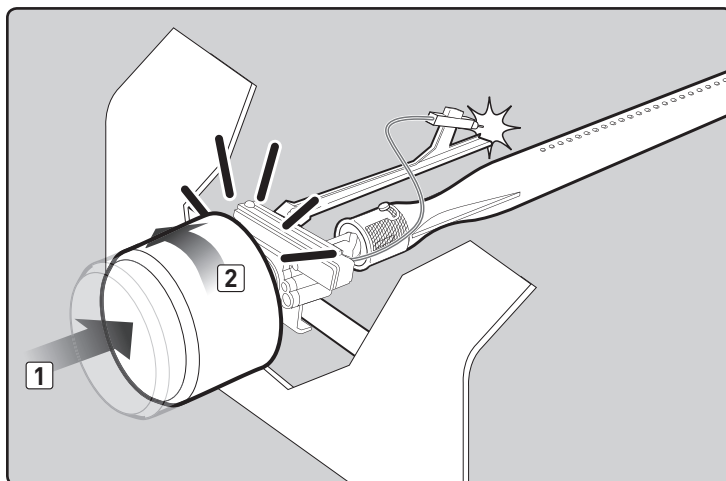


SNAP IGNITION OPERATION

⚠ Always open the lid before igniting the burners.

- A) Each control knob has its own igniter electrode built in. To create a spark, you must push the control knob in **(1)** and turn it to START/HI **(2)**.
- B) This action will generate gas flow and a spark to the burner lighting tube **(3)**. You will hear a "snap" from the igniter. You will also see a 3" – 5" orange flame coming from the burner lighting tube at the left side of the burner **(4)**.
- C) **Continue to hold the burner control knob in for two seconds after the "snap."** This will allow gas to flow completely down the burner tube **(5)** and ensure ignition.
- D) Check that the burner is lit by looking through the cooking grates. You should see a flame. If burner does not light on first try, push control knob in and turn it to OFF. Repeat lighting procedure a second time.

⚠ WARNING: If the burner still does not light, turn the burner control knob to OFF and wait five minutes to let the gas clear before you try again or try to light with a match. ♦



MAIN BURNER IGNITION & USAGE

MAIN BURNER IGNITION

Summary lighting instructions are inside the left-hand cabinet door.

⚠ DANGER

Failure to open the lid while igniting the grill's burners, or not waiting five minutes to allow the gas to clear if the grill does not light, may result in an explosive flare-up which can cause serious bodily injury or death.

Main Burner Snap Ignition

Note: Each control knob snap igniter creates a spark from the igniter electrode to the burner lighting tube. You generate the energy for the spark by pushing in the control knob and turning it to START/Hi. This will ignite each individual burner.

⚠ **WARNING: Check hose before each use of grill for nicks, cracking, abrasions or cuts. If the hose is found to be damaged in any way, do not use the grill. Replace using only WEBER authorized replacement hose. Contact the Customer Service Representative in your area using the contact information on our web site.**

Log onto www.weber.com.

- A) Open the lid [1].
- B) Make sure all burner control knobs are turned off [2]. (Push control knob in and turn it clockwise to ensure that it is in the OFF position.)

⚠ **WARNING: The burner control knobs must be in the OFF position before turning on the liquid propane tank tank valve. If they are not in the OFF position, when you turn on the LP tank valve, the "excess gas flow control" feature will activate, limiting the flow of gas from the LP tank. If this should occur, turn off the LP tank valve and burner control knobs. Start over.**

⚠ DANGER

When the "excess gas flow control" feature is activated, a small amount of gas is still flowing to the burners. After turning off the tank and burner control knobs, wait at least five minutes for the gas to clear before attempting to light the grill. Failure to do so may result in an explosive flare-up, which can cause serious bodily injury or death.

- C) Turn the LP tank on by slowly turning the tank valve counterclockwise; wait 60 seconds [3].

⚠ **WARNING: Do not lean over the open grill.**

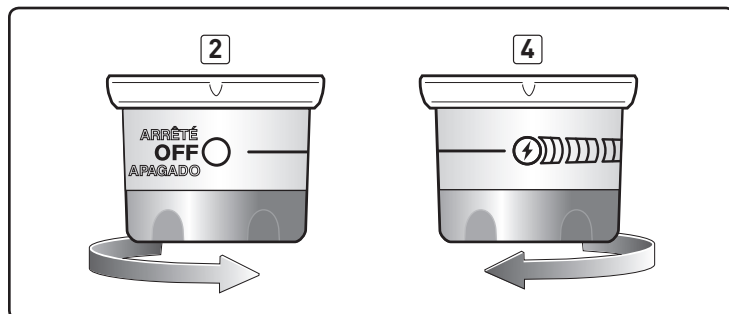
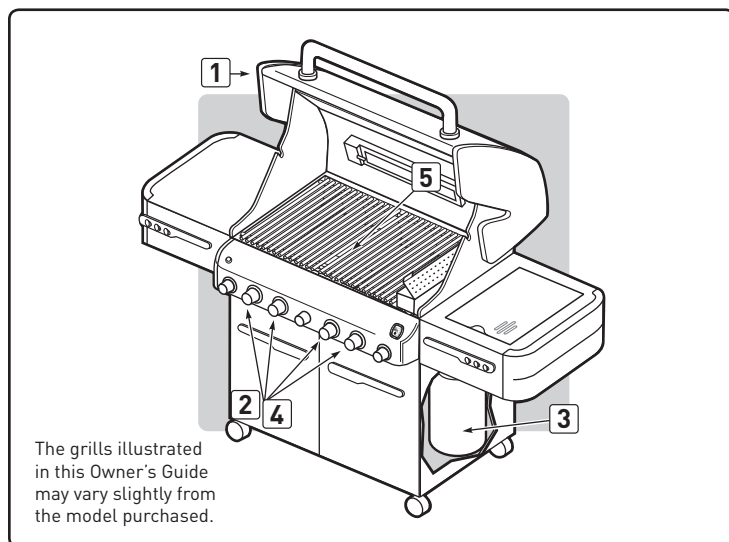
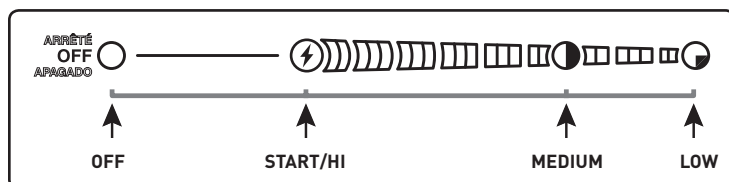
- D) Push the control knob in and turn it to START/Hi until you hear the igniter snap [4]; continue to hold control knob in for two seconds. This action will spark the igniter, the burner lighting tube, and then main burner.

- E) Check that the burner is lit by looking through the cooking grates [5]. You should see a flame. If burner does not light on first try, push control knob in and turn it to OFF. Repeat lighting procedure a second time.

⚠ **WARNING: If the burner still does not light, turn the burner control knob to OFF and wait five minutes to let the gas clear before you try again or try to light with a match. ♦**

TO EXTINGUISH

Push in and turn each burner control knob clockwise to OFF position. Turn gas supply off at the source. ♦



MAIN BURNER IGNITION & USAGE

MAIN BURNER MANUAL IGNITION

⚠ DANGER

Failure to open the lid while igniting the grill's burners, or not waiting five minutes to allow the gas to clear if the grill does not light, may result in an explosive flare-up which can cause serious bodily injury or death.

- A) Open the lid (1).
- B) Make sure all burner control knobs are turned off (2). (Push each knob in and turn it clockwise to ensure it is in the OFF position.)

⚠ **WARNING:** The burner control knobs must be in the OFF position before turning on the liquid propane tank valve. If they are not in the OFF position, when you turn on the LP tank valve, the "excess gas flow control" feature will activate, limiting the flow of gas from the LP tank. If this should occur, turn off the LP tank valve and burner control knobs. Start over.

⚠ DANGER

When the "excess gas flow control" feature is activated, a small amount of gas is still flowing to the burners. After turning off the tank and burner control knobs, wait at least five minutes for the gas to clear before attempting to light the grill. Failure to do so may result in an explosive flare-up, which can cause serious bodily injury or death.

- C) Turn the LP tank on by slowly turning the tank valve counterclockwise; wait 60 seconds (3).

- D) Put match in the matchstick holder and strike match.

⚠ **WARNING:** Do not lean over open grill.

- E) Insert matchstick holder and lit match down through cooking grates and FLAVORIZER bars to ignite the selected burner (4).

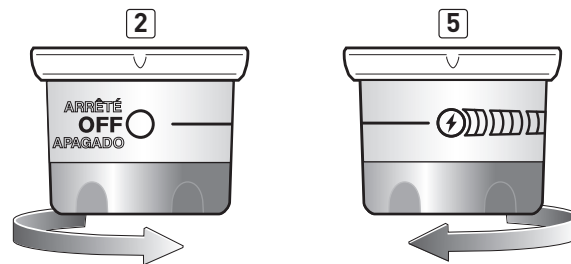
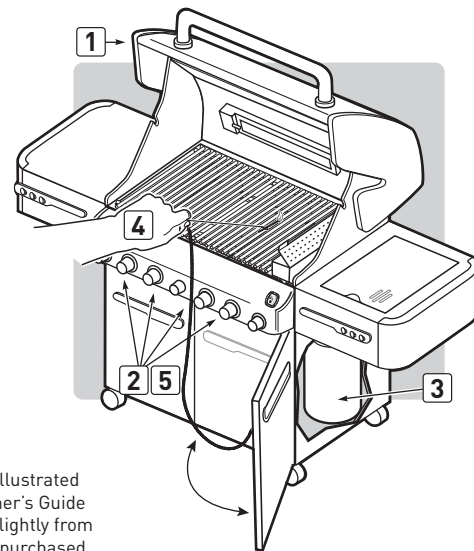
- F) Push the control knob in and turn it to START/HI (5).

- G) Check that the burner is lit by looking through the cooking grates (6). You should see a flame.

⚠ **WARNING:** If the burner does not light, turn the burner control knob to OFF and wait five minutes to let the gas clear before you try again. ♦

TO EXTINGUISH

Push in and turn each burner control knob clockwise to OFF position. Turn gas supply off at the source. ♦



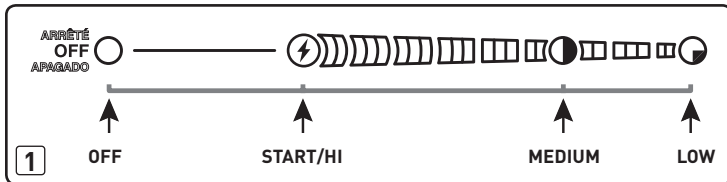
GRILLING TIPS & HELPFUL HINTS

- Always preheat the grill before cooking. Set all burners on HI heat and close lid; heat for 10 minutes, or until thermometer registers 500° – 550° F (260° – 288°C).
- Sear meats and cook with the lid down for perfectly grilled food every time.
- Grilling times in recipes are based on 70°F (20°C) weather and little or no wind. Allow more cooking time on cold or windy days, or at higher altitudes. Allow less cooking time in extremely hot weather.
- Grilling times can vary because of the weather, or the amount, size, and shape of the food being grilled.
- The temperature of your gas grill may run hotter than normal for the first few uses.
- Grilling conditions may require adjustment of the burner controls to attain the correct cooking temperatures.
- In general, large pieces of meat will require more cooking time per pound than small pieces of meat. Foods on a crowded cooking grate will require more cooking time than just a few foods. Foods grilled in containers, such as baked beans, will require more time if grilled in a deep casserole rather than a shallow baking pan.
- Trim excess fat from steaks, chops, and roasts, leaving no more than a scant ¼ inch (6.4 mm) of fat. Less fat makes cleanup easier, and is a virtual guarantee against unwanted flare-ups.
- Foods placed on the cooking grate directly above burners may require turning or moving to a less hot area.
- Use tongs rather than a fork for turning and handling meats to avoid losing natural juices. Use two spatulas for handling large whole fish.
- If an unwanted flare-up should occur, turn all burners off and move food to another area of the cooking grate. Any flames will quickly subside. After flames subside, relight the grill. NEVER USE WATER TO EXTINGUISH FLAMES ON A GAS GRILL.
- Some foods, such as a casserole or thin fish fillets, will require a container for grilling. Disposable foil pans are very convenient, but any metal pan with ovenproof handles can also be used.
- Always be sure the slide-out grease tray and catch pan are clean and free from debris.
- Do not line the slide-out grease tray with foil. This could prevent the grease from flowing into the catch pan.
- Using a timer will help to alert you when “well done” is about to become “overdone.”

PREHEATING

Your WEBER gas grill is an energy-efficient appliance. It operates at an economical low BTU rate. Preheating the grill before grilling is important. Light your grill according to the instructions in this Owner’s Guide. To preheat: after lighting, turn all burners to START/HI, close the lid, and heat until the temperature reaches between 500° and 550° F (260° and 290° C), the recommended broiling temperature. This will take 10 to 15 minutes depending on conditions such as air temperature and wind.

You can adjust the individual burners as desired. The control settings are OFF, START/HI, MEDIUM, or LOW (1).



Note: For the first few uses of your grill, the temperature inside the cookbox may be hotter than shown in your cookbook because the surfaces of the cookbox are still reflective. Cooking conditions, such as wind and weather, may require adjustment of burner controls to obtain the correct cooking temperatures.

Note: If grill loses heat while cooking, refer to the troubleshooting section of this manual.

⚠ WARNING: Do not move the WEBER gas grill when operating or while grill is hot.

If burners go out during cooking, turn all burner knobs off and wait five minutes before relighting.

COVERED COOKING

All grilling is done with the lid down to provide uniform, evenly circulated heat. With the lid closed, the gas grill cooks much like a convection oven. The thermometer in the lid indicates the cooking temperature inside the grill. All preheating and grilling is done with the lid down. No peeking — heat is lost every time you lift the lid.

DRIPPINGS AND GREASE

The Flavorizer bars are designed to “smoke” the correct amount of drippings for flavorful cooking. Excess drippings and grease will accumulate in the catch pan under the slide-out grease tray. Disposable foil drip pans are available that fit the catch pan.

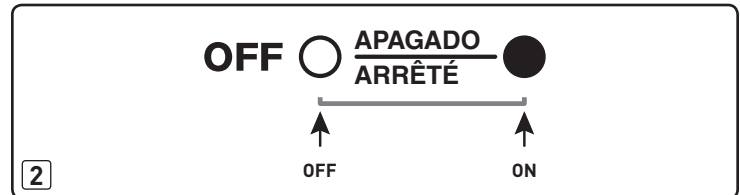
⚠ WARNING: Check the slide-out grease tray and catch pan for grease build-up before each use. Remove excess grease to avoid a grease fire in the slide-out grease tray.

FLAVORIZER SYSTEM

When meat juices drip from the food onto the specially angled FLAVORIZER bars, they create smoke that gives foods an irresistible grilled flavor. Thanks to the unique design of the burners, FLAVORIZER bars and the flexible temperature controls, uncontrolled flare-ups are virtually eliminated, because YOU control the flames. Because of the special design of the FLAVORIZER bars and burners, excess fats are directed through the slide-out grease tray into the grease catch pan.

SEAR STATION

Your WEBER gas grill may include a sear burner for searing thin meats and fish. The SEAR STATION burner has an ON or OFF control setting (2) that works with the two adjacent main burners. With the sear and adjacent burners, you can effectively sear meats while using other cooking areas for cooking with moderate heat (refer to “SEAR STATION IGNITION & USAGE”).



COOKING METHODS

The most important thing to know about grilling is which cooking method to use for a specific food, direct or indirect. The difference is simple: place the food directly over the fire, or arrange the fire on either side of it. Using the right method is the shortest route to great results—and the best way to ensure doneness safety. ♦

DIRECT COOKING

The direct method, similar to broiling, means the food is cooked directly over the heat source. For even cooking, food should be turned once halfway through the grilling time. Use the direct method for foods that take less than 25 minutes to cook: steaks, chops, kabobs, sausages, vegetables, and more.

Direct cooking is also necessary to sear meats. Searing creates that wonderful crisp, caramelized texture where the food touches the grate. It also adds great color and flavor to the entire surface. Steaks, chops, chicken breasts, and larger cuts of meat all benefit from searing.

To sear meats, place them over direct high heat for two to five minutes per side. Smaller pieces require less searing time. Usually after searing the food, you finish cooking it at a lower temperature. You can finish cooking fast-cooking foods by the direct method; use the indirect method for longer-cooking foods.

To set up your gas grill for direct cooking, preheat the grill with all burners on HI. Place food on the cooking grate, and then adjust all burners to the temperature noted in the recipe. Close the lid of the grill and lift it only to turn food or to test for doneness at the end of the recommended cooking time. ♦

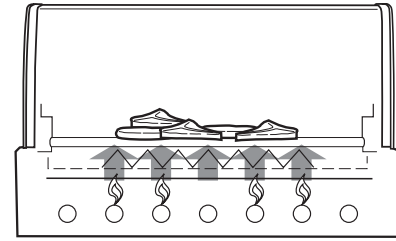
INDIRECT COOKING

The indirect method is similar to roasting, but with the added benefits of that grilled texture, flavor, and appearance you can't get from cooking with an oven. To set up for indirect cooking, light gas burners on either side of the food but not directly beneath it. Heat rises, reflects off the lid and inside surfaces of the grill, and circulates to slowly cook the food evenly on all sides, much like a convection oven, so there's no need to turn the food.

Use the indirect method for foods that require 25 minutes or more of grilling time, or that are so delicate that direct exposure to the flame would dry them out or scorch them. Examples include roasts, ribs, whole chickens, turkeys, and other large cuts of meat, as well as delicate fish fillets.

To set up your gas grill for indirect cooking, preheat the grill with all burners on HI. Then adjust the burners on each side of the food to the temperature noted in the recipe, and turn off the burner(s) directly below the food. For best results, place roasts, poultry, or large cuts of meat on a roasting rack set inside a disposable, heavy-gauge foil pan. For longer cooking times, add water to the foil pan to keep drippings from burning. The drippings can be used to make gravies or sauces. ♦

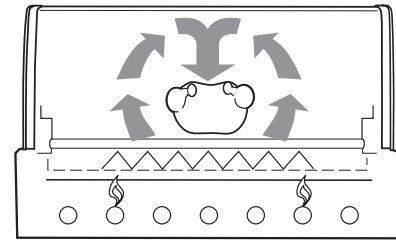
4 BURNER



DIRECT METHOD

Food is placed on the area of the cooking grates directly over the lit burners.

4 BURNER



INDIRECT METHOD

Food is placed on the area of the cooking grates between the lit burners.

SIDE BURNER IGNITION & USAGE

SIDE BURNER IGNITION

Summary lighting instructions are inside the left hand cabinet door.

⚠ DANGER

Failure to open the lid while igniting the side burner, or not waiting five minutes to allow the gas to clear if the side burner does not light, may result in an explosive flare-up which can cause serious bodily injury or death.

- ⚠ **WARNING:** Check hose before each use of grill for nicks, cracking, abrasions or cuts. If the hose is found to be damaged in any way, do not use the grill. Replace using only WEBER authorized replacement hose. Contact the Customer Service Representative in your area using the contact information on our web site.
Log onto www.weber.com.

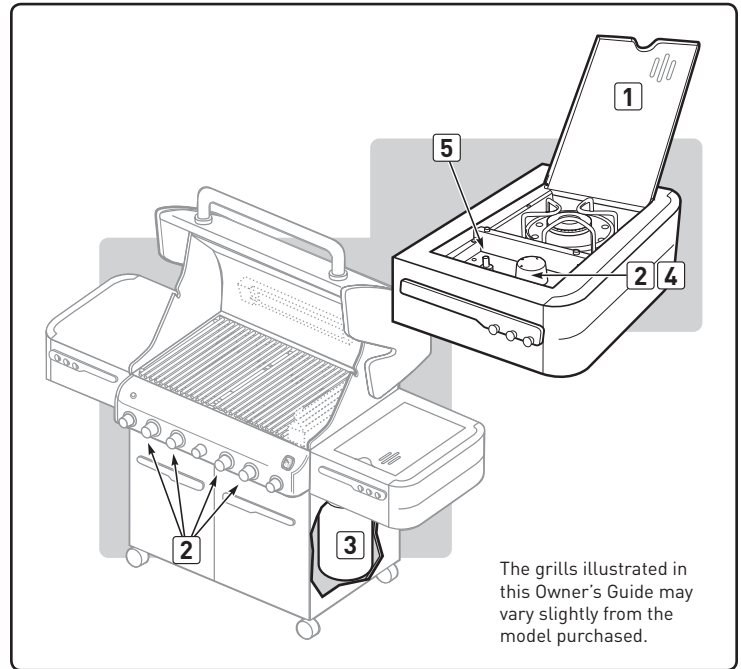
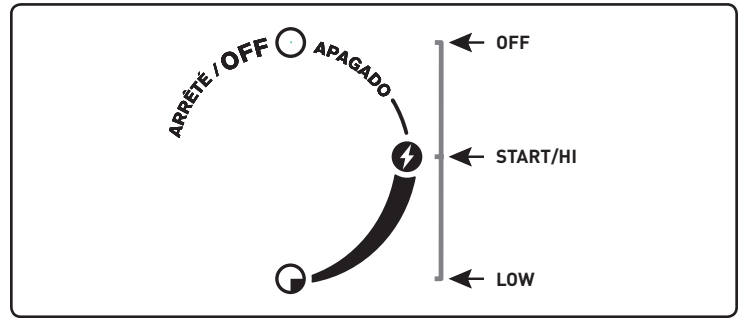
- A) Open the side burner lid (1).
- B) Check that the side burner valve is turned off (2) (Push control knob in and turn clockwise to ensure that it is in the OFF position), turn all burners not being used to the OFF position (push in and turn clockwise).
- C) Turn the gas supply valve on (3).
- D) Push down and turn the side burner control valve to START/HI (4).
- E) Press the igniter button several times so it clicks each time until you see a flame (5).

- ⚠ **CAUTION:** Side burner flame may be difficult to see on a bright sunny day.

- ⚠ **WARNING:** If the side burner does not light in five seconds:
- a) Turn off the side burner control valve, main burners and gas supply at source.
 - b) Wait five minutes to let the gas clear before you try again, or try lighting with a match (refer to "SIDE BURNER MANUAL IGNITION"). ♦

TO EXTINGUISH

Push down and turn side burner control knob to the OFF position. Be sure the burner is off and cool before closing the side burner lid. ♦



SIDE BURNER IGNITION & USAGE

SIDE BURNER MANUAL IGNITION

⚠ DANGER

Failure to open the lid while igniting the side burner, or not waiting five minutes to allow the gas to clear if the side burner does not light, may result in an explosive flare-up that can cause serious bodily injury or death.

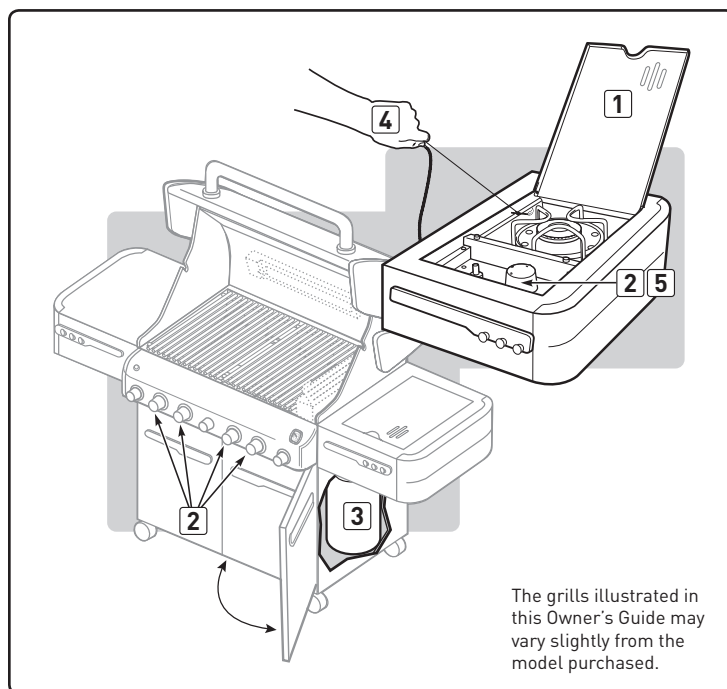
- A) Open the side burner lid (1).
- B) Check that the side burner valve is turned off (2) (Push control knob in and turn clockwise to ensure that it is in the OFF position), turn all burners not being used to the OFF position (push in and turn clockwise).
- C) Turn the gas supply valve on (3).
- D) Put match in a match holder and strike match.
- E) Hold match holder and lit match by either side of the side burner (4).
- F) Push down and turn the side burner control valve to START/HI (5).

⚠ **CAUTION:** Side burner flame may be difficult to see on a bright sunny day.

- ⚠ **WARNING:** If the side burner does not light in five seconds:
- a) Turn off the side burner control valve, main burners and gas supply at source.
 - b) Wait five minutes to let the gas clear before you try again.

TO EXTINGUISH

Push down and turn side burner control knob to the OFF position. Be sure the burner is off and cool before closing the side burner lid. ♦



SEAR STATION IGNITION & USAGE

SEAR STATION BURNER IGNITION

Summary lighting instructions are inside the left-hand cabinet door.

⚠ DANGER

Failure to open the lid while igniting the grill's burners, or not waiting five minutes to allow the gas to clear if the grill does not light, may result in an explosive flare-up which can cause serious bodily injury or death.

The SEAR STATION burner has an on or off control setting. To ignite the SEAR STATION burner, you must first ignite the two adjacent main burners.

Adjacent Main Burner Snap Ignition

Note: Each main burner control knob snap igniter creates a spark from the igniter electrode to the burner lighting tube. You generate the energy for the spark by pushing in the control knob and turning it to START/Hi. This will ignite each individual burner.

⚠ **WARNING:** Check hose before each use of grill for nicks, cracking, abrasions or cuts. If the hose is found to be damaged in any way, do not use the grill. Replace using only WEBER authorized replacement hose. Contact the Customer Service Representative in your area using the contact information on our web site.

Log onto www.weber.com.

- A) Open the lid [1].
- B) Make sure all burner control knobs are turned off [2]. (Push control knob in and turn it clockwise to ensure that it is in the OFF position.)

⚠ **WARNING:** The burner control knobs must be in the OFF position before turning on the liquid propane tank valve. If they are not in the OFF position, when you turn on the LP tank valve, the "excess gas flow control" feature will activate, limiting the flow of gas from the LP tank. If this should occur, turn off the LP tank valve and burner control knobs. Start over.

⚠ DANGER

When the "excess gas flow control" feature is activated, a small amount of gas is still flowing to the burners. After turning off the tank and burner control knobs, wait at least five minutes for the gas to clear before attempting to light the grill. Failure to do so may result in an explosive flare-up, which can cause serious bodily injury or death.

- C) Turn the LP tank on by slowly turning the tank valve counterclockwise; wait 60 seconds [3].

⚠ **WARNING:** Do not lean over the open grill.

- D) Ignite each main burner that is adjacent to the SEAR STATION [4]. Push the control knob in and turn it to START/Hi until you hear the igniter snap; continue to hold control knob in for two seconds. This action will spark the igniter, the burner lighting tube, and then main burner.
- E) Check that the burner is lit by looking through the cooking grates [5]. You should see a flame. If burner does not light on first try, push control knob in and turn it to OFF. Repeat lighting procedure a second time.

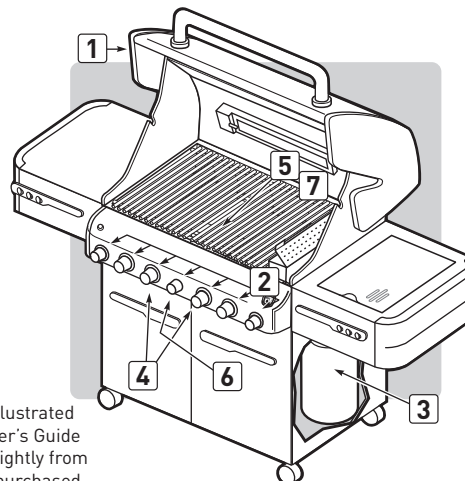
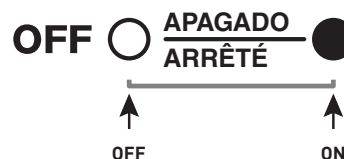
SEAR STATION Burner Lighting: Ignition by an Adjacent Ignited Main Burner

- F) Turn SEAR STATION burner control knob to the ON position [6].
- G) Verify burner ignition by visual inspection of a flame [7].

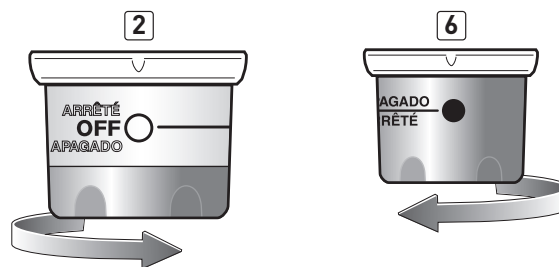
⚠ **WARNING:** If ignition does not occur in five seconds, turn burner control OFF, wait five minutes, and repeat steps F & G, or see "SEAR STATION BURNER MANUAL IGNITION" instructions.

⚠ **WARNING:** If the burner still does not light, turn the burner control knob to OFF and wait five minutes to let the gas clear before you try again or try to light with a match.

Note: See "MAINTENANCE" for burner removal and cleaning procedure. ♦



The grills illustrated in this Owner's Guide may vary slightly from the model purchased.



TO EXTINGUISH

Push in and turn each burner control knob clockwise to OFF position. Turn gas supply off at the source. ♦

SEAR STATION IGNITION & USAGE

SEAR STATION BURNER MANUAL IGNITION

⚠ DANGER

Failure to open the lid while igniting the grill's burners, or not waiting five minutes to allow the gas to clear if the grill does not light, may result in an explosive flare-up which can cause serious bodily injury or death.

The SEAR STATION burner, has an on or off control setting. To ignite the SEAR STATION burner, you must first ignite the two adjacent main burners.

Adjacent Main Burner Snap Ignition

Note: Each main burner control knob snap igniter creates a spark from the igniter electrode to the burner lighting tube. You generate the energy for the spark by pushing in the control knob and turning it to START/Hi. This will ignite each individual burner.

- Open the lid (1).
- Verify each main burner that is adjacent to the SEAR STATION is lit by visual inspection of a flame (2).
- Put match in the matchstick holder and strike match.
- Insert matchstick holder and lit match down through cooking grates and FLAVORIZERbars to ignite the SEAR STATION burner (3).
- Push the SEAR STATION control knob in and turn it to the ON position (4).

⚠ **WARNING: Do not lean over open grill.**

D) Insert matchstick holder and lit match down through cooking grates and FLAVORIZERbars to ignite the SEAR STATION burner (3).

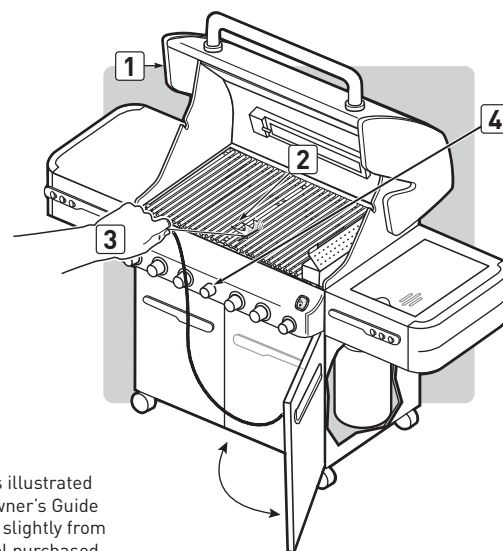
E) Push the SEAR STATION control knob in and turn it to the ON position (4).

⚠ **WARNING: If the burner does not light, turn the burner control knob to OFF and wait five minutes to let the gas clear before you try again.**

Note: See "MAINTENANCE" for burner removal and cleaning procedure. ♦

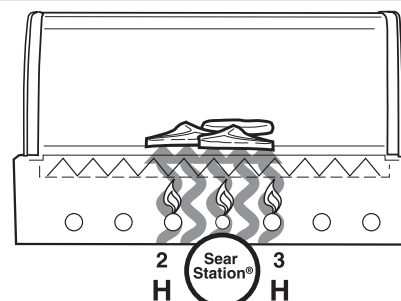
TO EXTINGUISH

Push in and turn each burner control knob clockwise to OFF position. Turn gas supply off at the source. ♦



The grills illustrated in this Owner's Guide may vary slightly from the model purchased.

4 BURNER



SEAR METHOD

Food is placed in the area of intense heat between the lit burners

USING THE SEAR STATION

Your WEBER gas grill includes a sear burner for searing meats such as steak, poultry parts, fish, and chops.

Searing is a direct grilling technique which browns the surface of the food at a high temperature. By searing or browning both sides of the meat, you will create a more desirable flavor by caramelizing the food surface. Searing will also enhance appearance of the meat with sear marks from the cooking grates. This, along with the contrast of textures and flavors, can make food more interesting to the palate.

The SEAR STATION burner has an on or off control setting that works with the two adjacent main burners. With the sear and adjacent burners, you can effectively sear meats while using other cooking areas for grilling with moderate heat.

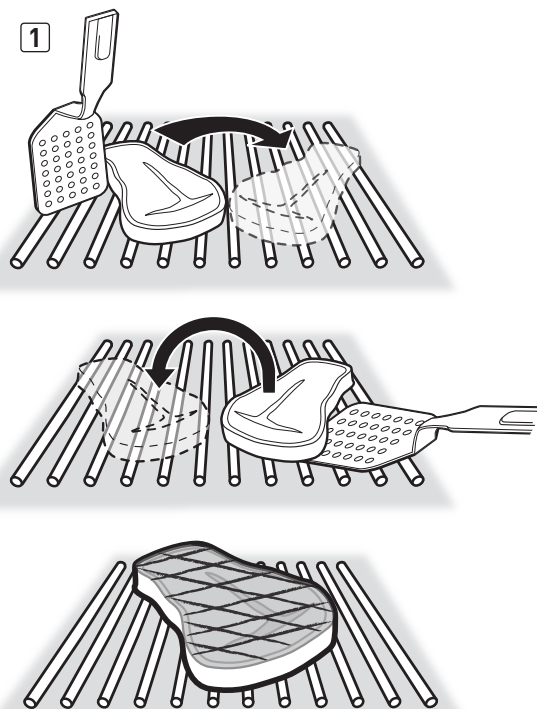
Before searing food, you should turn all of the main burners on HI for 15 minutes to preheat the grill. Note: Always grill with the lid closed to allow for maximum heat and to avoid flare-ups.

Once the grill is preheated, turn the outer burners off or down to low. Leave the center two burners on HI and ignite the SEAR STATION burner.

Place the meat directly over the SEAR STATION. You will sear each side anywhere from one to four minutes, depending on the type and thickness of the meat. You may turn the food a quarter turn to make crossing sear marks (1) before you sear the other side in the same manner.

Once you are done searing the meat, you can finish grilling it by moving it to a more moderate heat over the outside burners to achieve the desired doneness.

As you gain experience in using your SEAR STATION, we encourage you to experiment with different searing times to find results that work best for your taste. ♦



SMOKER BURNER IGNITION & USAGE

SMOKER BURNER IGNITION

⚠ DANGER

Failure to open the lid while igniting the grill, or not waiting five minutes to allow the gas to clear if the grill does not light, may result in an explosive flare-up which can cause serious bodily injury or death.

Smoker Burner Snap Ignition

Note: The control knob snap igniter creates a spark from the igniter electrode to the burner lighting tube. You generate the energy for the spark by pushing in the control knob and turning it to START/HI. This will ignite the smoker burner.

- ⚠ **WARNING:** Check hose before each use of grill for nicks, cracking, abrasions or cuts. If the hose is found to be damaged in any way, do not use the grill. Replace using only WEBER authorized replacement hose. Contact the Customer Service Representative in your area using the contact information on our web site. Log onto www.weber.com.

- A) Open the grill lid (1).
- B) Open smoker box lid (2).
- C) Fill smoker with water-soaked wood chunks or chips (3).
- D) Make sure that all burner control knobs not being used are turned to OFF (4). (Push control knob in and turn it clockwise to ensure that it is in the OFF position.)

- ⚠ **WARNING:** Turning control knobs must be in the OFF position before turning on the liquid propane tank valve. If they are not in the OFF position, when you turn on the LP tank valve, the “excess gas flow control” feature will activate, limiting the flow of gas from the LP tank. If this should occur, turn off the LP tank valve and burner control knobs. Start over.

⚠ DANGER

When the “excess gas flow control” feature is activated, a small amount of gas is still flowing to the burners. After turning off the tank and burner control knobs, wait at least five minutes for the gas to clear before attempting to light the grill. Failure to do so may result in an explosive flare-up, which can cause serious bodily injury or death.

- E) Turn the LP tank on by slowly turning the tank valve counterclockwise; wait 60 seconds (5).

- ⚠ **WARNING:** Do not lean over the open grill while lighting.

- F) Push the control knob in and turn it to START/HI until you hear the igniter snap (6); continue to hold control knob in for two seconds. This action will spark the igniter, the burner lighting tube, and then smoker burner.
- G) Check that the burner is lit by looking through the cooking grates (7). You should see a flame. If burner does not light on first try, push control knob in and turn it to OFF. Repeat lighting procedure a second time.

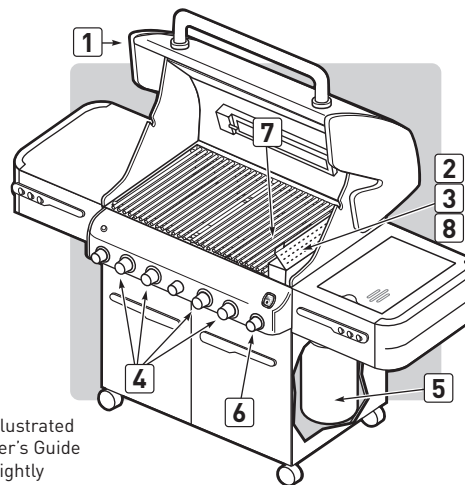
⚠ DANGER

If the smoker burner still does not light, turn the burner control knob to OFF and wait five minutes to let the gas clear before you try again, or try lighting with a match (see “SMOKER BURNER MANUAL IGNITION”).

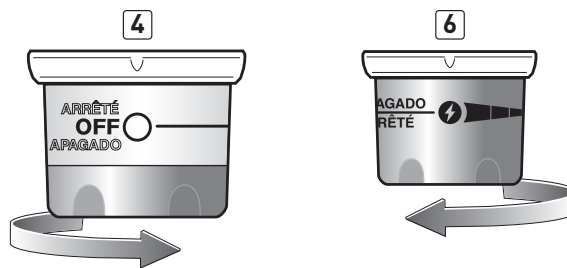
- H) Close smoker box lid (8) after wood starts to smolder and turn control knob to LOW. ♦

TO EXTINGUISH

Push in and turn each burner control knob clockwise to OFF position. Turn gas supply off at the source. ♦



The grills illustrated in this Owner's Guide may vary slightly from the model purchased.



SMOKER BURNER IGNITION & USAGE

SMOKER BURNER MANUAL IGNITION

⚠ **WARNING:** Check hose before each use of grill for nicks, cracking, abrasions or cuts. If the hose is found to be damaged in any way, do not use the grill. Replace using only WEBER authorized replacement hose. Contact the Customer Service Representative in your area using the contact information on our web site.
Log onto www.weber.com.

A) Open the lid (1).

⚠ DANGER

Failure to open the lid while igniting the grill, or not waiting five minutes to allow the gas to clear if the grill does not light, may result in an explosive flare-up which can cause serious bodily injury or death.

B) Open smoker box lid (2).

C) Fill smoker with water-soaked wood chunks or chips (3).

D) Make sure that all burner control knobs not being used are turned to OFF (4). (Push control knob in and turn it clockwise to ensure that it is in the OFF position.)

⚠ **WARNING:** The burner control knobs must be in the OFF position before turning on the liquid propane tank valve. If they are not in the OFF position, when you turn on the LP tank valve, the "excess gas flow control" feature will activate, limiting the flow of gas from the LP tank. If this should occur, turn off the LP tank valve and burner control knobs. Start over.

⚠ DANGER

When the "excess gas flow control" feature is activated, a small amount of gas is still flowing to the burners. After turning off the tank and burner control knobs, wait at least five minutes for the gas to clear before attempting to light the grill. Failure to do so may result in an explosive flare-up, which can cause serious bodily injury or death.

E) Turn the LP tank on by slowly turning the tank valve counterclockwise; wait 60 seconds (5).

F) Put a match in the matchstick holder and strike the match.

G) Insert matchstick holder and lit match down through cooking grates and Flavorizer® bars to ignite smoker burner (6).

⚠ **WARNING:** Do not lean over the open grill while lighting.

H) Push smoker burner control knob in and turn it to START/HI (7).

I) Check that the burner is lit by looking down through the cooking grate (8).

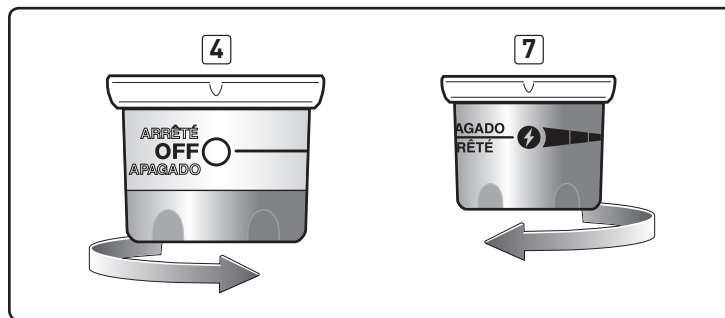
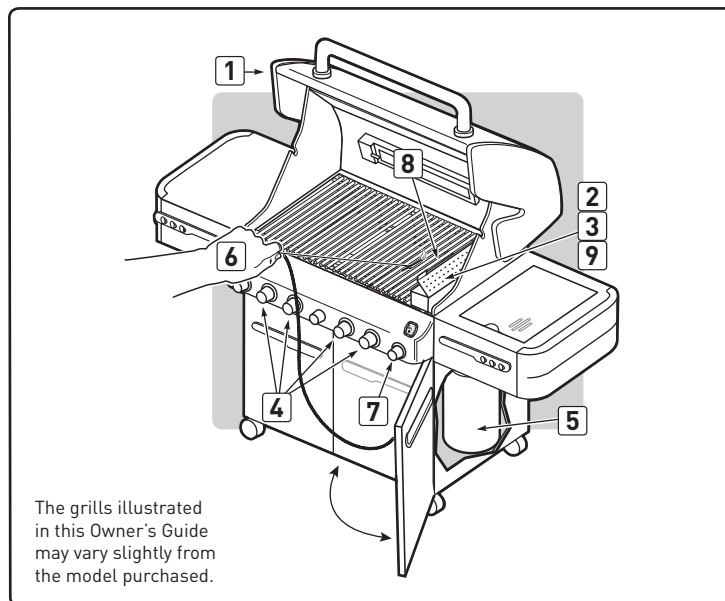
⚠ DANGER

If the smoker burner does not light, turn the burner control knob to OFF and wait five minutes to let the gas clear before you try again.

J) Close smoker box lid (9) after wood starts to smolder and turn control knob to LOW. ♦

TO EXTINGUISH

Push in and turn each burner control knob clockwise to OFF position. Turn gas supply off at the source. ♦



SMOKER BURNER IGNITION & USAGE

USING THE SMOKER

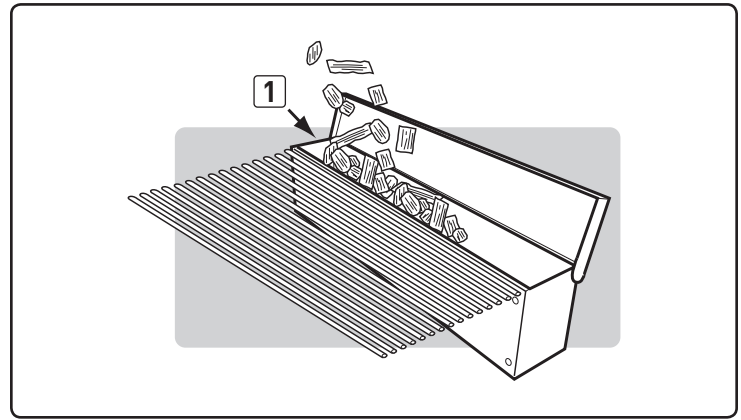
The smoker uses presoaked wood chips. For best results with faster cooking foods like steaks, burgers, and chops, etc., we recommend using finer wood chips because they ignite and create smoke faster. For longer cooking foods such as roasts, chicken, and turkeys, etc., we recommend using larger wood chunks because they ignite slowly and provide smoke for a longer period of time. As you gain experience in using your smoker, we encourage you to experiment with different combinations of wood chips and chunks to find the smoke flavor that best suits your taste.

As a starting point, soak wood chips in water for at least 30 minutes before using. (Wet wood will produce more smoke flavor.) Place a handful of wood chips or a few larger chunks in the bottom of the smoker body **(1)**. As you gain experience in smoking, increase or decrease the amount of wood to suit your taste.

Note: Always grill with the lid closed to allow the smoke to fully penetrate the food. Light the smoker burner by following the instructions for "SMOKER BURNER IGNITION." After wood starts to smolder, turn control knob to LOW.

Smoke will start in approximately 10 minutes and last as long as 45 minutes. If you require more smoke flavor, refill the smoker with wood chips and/or chunks. Keep the lid of the grill closed while cooking.

Note: After refilling smoker, smoke will take about 10 to 15 minutes to start again. The smoker may be used to enhance meat, poultry, and fish recipes. Cook with the lid down according to the times indicated in charts or recipes.



⚠ DANGER

Do not use any flammable fluid in the smoker to ignite the wood. This will cause serious bodily injury. ♦

CLEANING THE SMOKER

Before each use, empty the smoker of ash to allow proper air flow.

Note: Smoking will leave a "smoke" residue on the surface of the smoker. This residue cannot be removed and will not affect the function of the smoker. To a lesser degree, a "smoke" residue will accumulate on the inside of your gas grill. This residue need not be removed and will not adversely affect the function of your gas grill. ♦

ROTISSERIE BURNER IGNITION & USAGE

ROTISSERIE BURNER IGNITION

Rotisserie Burner Snap Ignition

Note: Each control knob snap igniter creates a spark from the igniter electrode to the burner lighting tube. You generate the energy for the spark by pushing in the control knob and turning it to START/Hi. This will ignite each individual burner.

⚠ ATTENTION: READ BEFORE LIGHTING ROTISSERIE BURNER

After a period of non-use, before lighting the rotisserie burner, a few seconds must pass for the gas supply line to fill.

When using the snap igniter you will see a flash of flames moving from left to right across the rotisserie burner surface. The rotisserie burner is not lit until the entire ceramic surface is aflame.

At this point, start a count of twenty seconds before releasing the rotisserie burner control knob.

The rotisserie burner surface will glow red once the burner is fully ignited.

⚠ DANGER

Failure to open the lid while igniting the grill, or not waiting five minutes to allow the gas to clear if the grill does not light, may result in an explosive flare-up which can cause serious bodily injury or death.

⚠ CAUTION: The rotisserie burner flame may be difficult to see on a bright sunny day.

⚠ WARNING: Check hose before each use of grill for nicks, cracking, abrasions or cuts. If the hose is found to be damaged in any way, do not use the grill. Replace using only a WEBER authorized replacement hose. Contact the Customer Service Representative in your area using the contact information on our web site.

Log onto www.weber.com.

A) Open the lid (1).

B) Remove the warming rack and the cooking grates from the cookbox (2).

C) Make sure all burner control knobs are turned off (3). (Push control knob in and turn it clockwise to ensure that it is in the OFF position.)

⚠ WARNING: The burner control knobs must be in the OFF position before turning on the liquid propane tank valve. If they are not in the OFF position, when you turn on the LP tank valve, the "excess gas flow control" feature will activate, limiting the flow of gas from the LP tank. If this should occur, turn off the LP tank valve and burner control knobs. Start over.

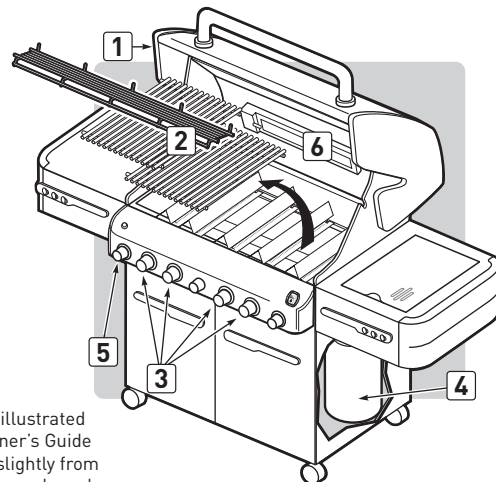
⚠ DANGER

When the "excess gas flow control" feature is activated, a small amount of gas is still flowing to the burners. After turning off the tank and burner control knobs, wait at least five minutes for the gas to clear before attempting to light the grill. Failure to do so may result in an explosive flare-up, which can cause serious bodily injury or death.

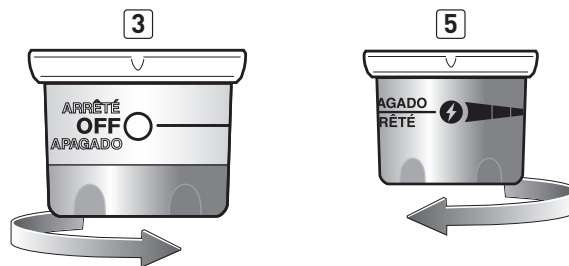
D) Turn the LP tank on by slowly turning the tank valve counterclockwise; wait 60 seconds (4).

⚠ WARNING: Do not lean over the open grill.

E) Push the control knob in and turn it to START/Hi (5). This action will spark the igniter and light the rotisserie burner. Continue to use the snap igniter until the rotisserie burner has ignited. Continue to hold the control knob down until twenty seconds after the burner has ignited. Release the control knob.



The grills illustrated in this Owner's Guide may vary slightly from the model purchased.



F) Check that the burner is lit by looking for the rotisserie burner to glow red (6).

⚠ WARNING: If the rotisserie burner does not light, turn the burner control knob to OFF and wait five minutes to let the gas clear before you try again or try to light with a match.

Note: When using the rotisserie with the lid closed, only light two of the main burners on each side of the food (see "COOKING METHODS—INDIRECT COOKING"). Check your food periodically to prevent it from overcooking on the outside. Turn off the rotisserie burner once the food has browned to the desired color. Finish cooking it on indirect heat. ♦

TO EXTINGUISH

Push in and turn each burner control knob clockwise to OFF position. Turn gas supply off at the source. ♦

ROTISSERIE BURNER IGNITION & USAGE

ROTISSERIE BURNER MANUAL IGNITION

⚠ ATTENTION: READ BEFORE LIGHTING ROTISSERIE BURNER

After a period of non-use, before lighting the rotisserie burner, a few seconds must pass for the gas supply line to fill. When holding a match to the rotisserie burner you will see a flash of flames moving from left to right across the rotisserie burner surface. The rotisserie burner is not lit until the entire ceramic surface is aflame. At this point, start a count of twenty seconds before releasing the rotisserie burner control knob. The rotisserie burner surface will glow red once the burner is fully ignited.

⚠ DANGER

Failure to open the lid while igniting the grill, or not waiting five minutes to allow the gas to clear if the grill does not light, may result in an explosive flare-up which can cause serious bodily injury or death.

⚠ **CAUTION:** The rotisserie burner flame may be difficult to see on a sunny day.

⚠ **WARNING:** Check hose before each use of grill for nicks, cracking, abrasions or cuts. If the hose is found to be damaged in any way, do not use the grill. Replace using only a WEBER authorized replacement hose. Contact the Customer Service Representative in your area using the contact information on our web site.

Log onto www.weber.com.

- A) Open the lid (1).
- B) Remove the warming rack and the cooking grates from the cookbox (2).
- C) Make sure all burner control knobs are turned off (3). (Push control knob down and turn it clockwise to ensure that it is in the OFF position.)

⚠ **WARNING:** The burner control knobs must be in the OFF position before turning on the liquid propane tank valve. If they are not in the OFF position, when you turn on the LP tank valve, the “excess gas flow control” feature will activate, limiting the flow of gas from the LP tank. If this should occur, turn off the LP tank valve and burner control knobs. Start over.

⚠ DANGER

When the “excess gas flow control” feature is activated, a small amount of gas is still flowing to the burners. After turning off the tank and burner control knobs, wait at least five minutes for the gas to clear before attempting to light the grill. Failure to do so may result in an explosive flare-up, which can cause serious bodily injury or death.

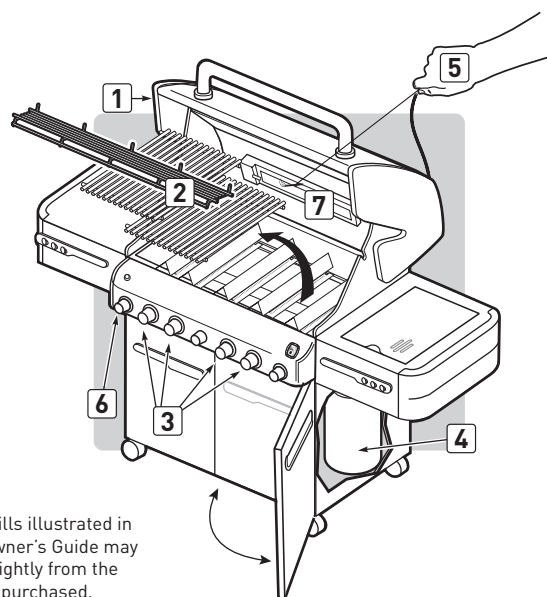
- D) Turn the LP tank on by slowly turning the tank valve counterclockwise; wait 60 seconds (4).
- E) Put a match in the matchstick holder and strike the match.
- F) Hold matchstick holder and lit match by right side of rotisserie burner (5).

⚠ **WARNING:** Do not lean over the open grill.

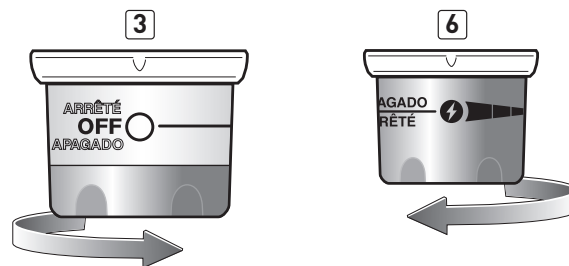
- G) Push rotisserie burner control knob down and turn it to START/HI (6). Continue to hold the control knob down until twenty seconds after the burner has ignited.
- H) Check that the burner is lit by looking for the rotisserie burner to glow red (7).

⚠ **WARNING:** If the rotisserie burner does not light, turn the burner control knob to OFF and wait five minutes to let the gas clear before you try again.

Note: When using the rotisserie with the lid closed, only light two of the main burners under the food [see “COOKING METHODS—INDIRECT COOKING”]. Check your food periodically to prevent it from overcooking on the outside. Turn off the rotisserie burner once the food has browned to the desired color. Finish cooking it on indirect heat. ♦



The grills illustrated in this Owner's Guide may vary slightly from the model purchased.



TO EXTINGUISH

Push in and turn each burner control knob clockwise to OFF position. Turn gas supply off at the source. ♦

ROTISSERIE BURNER IGNITION & USAGE

IMPORTANT SAFEGUARDS

Note: Before using your rotisserie, measure your food at the widest point. If it exceeds 9½" (241.8 mm), it is too large to fit the rotisserie. If it is too large, food can be prepared using a roast holder and the indirect cooking method.

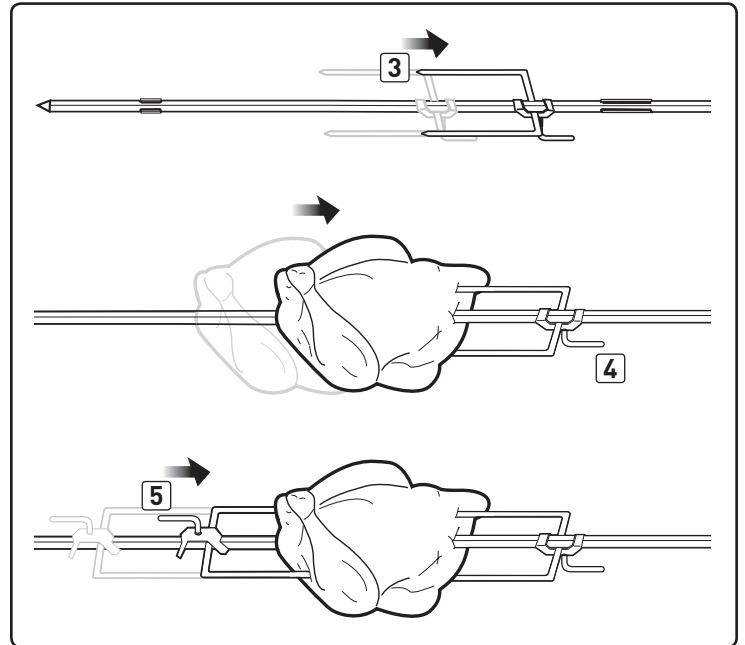
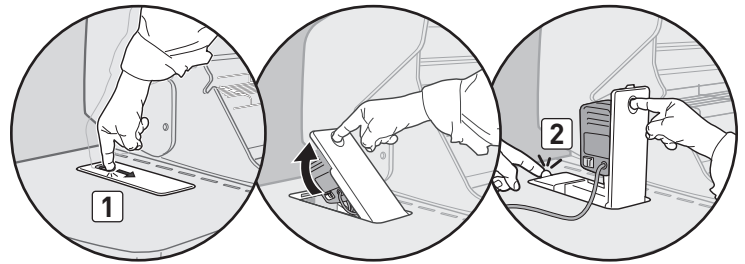
⚠ WARNINGS

- ⚠ Read all instructions before using your rotisserie.
- ⚠ This rotisserie is for outdoor use only.
- ⚠ Remove motor and store in a dry place when not in use.
- ⚠ Do not touch hot surfaces. Use barbecue mitts.
- ⚠ This rotisserie is not for use by children.
- ⚠ To protect against electrical hazards do not immerse cord, plugs, or motor in water or other liquids.
- ⚠ Unplug the motor from outlet when not in use or before cleaning.
- ⚠ Do not use rotisserie for other than intended use.
- ⚠ Make sure motor is off before placing it on the motor bracket.
- ⚠ Do not operate the rotisserie motor with a damaged cord or plug.
- ⚠ Do not operate the rotisserie motor if it should malfunction.
- ⚠ The rotisserie motor is equipped with a three prong (grounding) power cord for your protection against shock hazard.
- ⚠ The power cord should be plugged directly into a properly grounded three prong receptacle. If use of an extension cord is required, be sure that it is a minimum 16 AWG (1.3 mm), 3-wire, well insulated cord marked for OUTDOOR USE ONLY and properly grounded.
- ⚠ When using an extension cord, make sure it is not in contact with a hot or sharp surface.
- ⚠ Outdoor extension cords should be marked with the letters "W-A" and a tag stating "Suitable for use with outdoor appliances."
- ⚠ Do not cut or remove the grounding prong from the rotisserie motor power cord.
- ⚠ Do not let cord hang over any sharp edge or hot surface.
- ⚠ Do not expose to rain.
- ⚠ To reduce the risk of electric shock, keep extension cord connection dry and off the ground.
- ⚠ A short power cord is supplied to reduce the risk of tripping over the cord. Extension cords may be used, but caution must be taken to prevent tripping over the cord.
- ⚠ In absence of local codes the rotisserie motor must be grounded electrically in accordance with the National Electric Code, ANSI / NFPA 70, or Canadian Electrical Code, CSA C22.1.

OPERATING THE ROTISSERIE

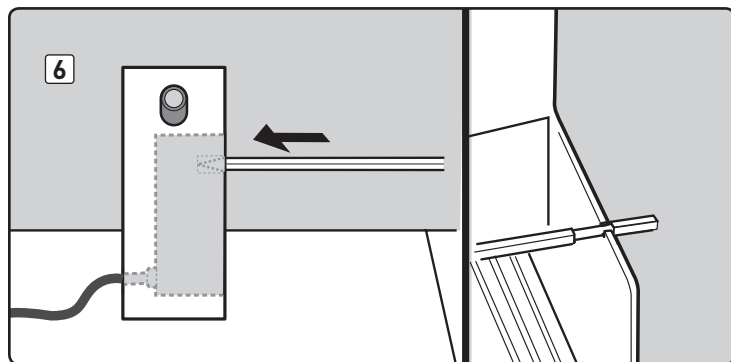
⚠ **WARNING:** Set up the rotisserie with food before lighting rotisserie burner.

- A) To set up rotisserie motor, push the button on the retractable rotisserie panel (1). Pull rotisserie panel upwards. Push locking tab (2) until it snaps into place.
- B) Remove power cord and plug into power source.
- ⚠ **CAUTION:** Do not route rotisserie motor power cord through the retractable rotisserie opening in the side table.
- ⚠ **CAUTION:** Inspect power cord before each use. If cord is damaged, do not use. Contact the Customer Service Representative in your area using the contact information on our web site. Log onto www.weber.com.
- C) Slide one of the spit forks towards the right side of the rotisserie shaft, making sure that the spikes face to the left and the fork screw faces down (3).
- D) Push the rotisserie shaft through the center of the food. Insert the tines of both spit forks into the food. The food should be centered on the shaft. Tighten the spit fork screw (4).
- E) Slide another spit fork onto the rotisserie shaft, making sure that the spikes face to the right and the fork screw faces up. Insert the tines of both spit forks into the food. Tighten the spit fork screw (5).



ROTISSERIE BURNER IGNITION & USAGE

- F) Insert the pointed end of the rotisserie shaft into the motor. Lower the rotisserie spit into the grooves on the cookbox **(6)**.
- G) The rotisserie shaft should rotate so that the heavy side of the meat or poultry rotates down to the bottom. Large cuts may require the removal of the cooking grates and warming rack to allow full rotation of the shaft. Remount the food if necessary for better balance.
- H) Turn the motor on. ♦



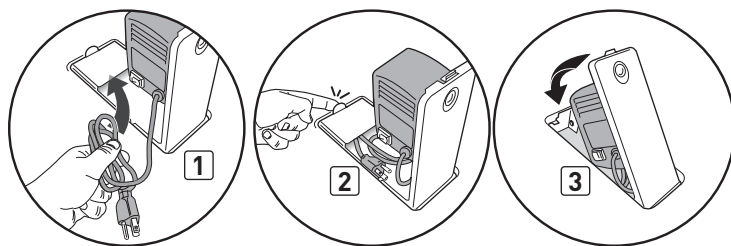
ROTISSERIE COOKING

- Meats (except poultry and ground meat) should be brought to room temperature before cooking. (20 to 30 minutes should be adequate for most foods. If frozen defrost completely before cooking.)
- Tie meat or poultry with a string, if necessary, to make the shape as uniform as possible before putting it on the spit.
- Remove cooking grates and warming rack to allow food to turn freely.
- Follow lighting instructions for rotisserie burner.
- Set rotisserie burner on medium-high based on outside air temperatures.
- Place food within area of burner.
- If you wish to save drippings for gravy, place a drip pan directly under the food on top of the FLAVORIZER bars.
- Food preparation steps are the same for rotisserie cooking as for regular cooking.
- All cooking is done with the lid closed.
- If foods are too heavy or are irregular shapes, they may not rotate well and should be cooked by the Indirect Method without using the rotisserie.
- Smoker can be used in conjunction with rotisserie for more smoke flavor.

Note: When using the rotisserie burner, grill thermometer will not reflect the temperature inside the cooking box. ♦

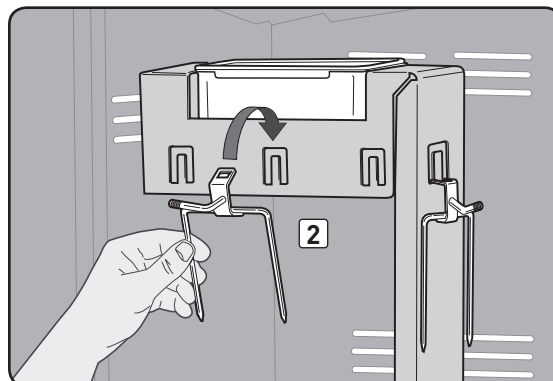
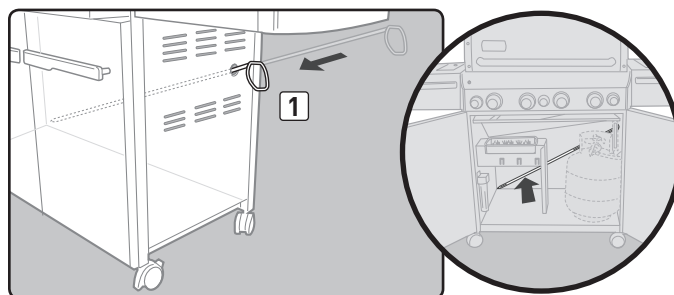
ROTISSERIE MOTOR STORAGE

- A) Before retracting rotisserie back into the side table, unplug the power cord and carefully place plug/power cord into the storage area of the retractable rotisserie assembly **(1)**.
- ⚠ **CAUTION: Failure to properly store the rotisserie power cord may result in damage to the power cord when opening and closing the retractable rotisserie panel.**
- B) Using your index finger, disengage retractable rotisserie panel **(2)**. Push panel down until it snaps securely in place **(3)**. ♦



ROTISSERIE SPIT STORAGE

- A) Remove forks from rotisserie spit. Carefully insert spit into cabinet by sliding through hole in right side panel **(1)**.
- ⚠ **CAUTION: Do not allow rotisserie spit to come into contact with any gas lines.**
- B) Store rotisserie forks by placing them on the hooks located on the catch pan holder within the grill cabinet **(2)**. ♦



TROUBLESHOOTING

PROBLEM	CHECK	SOLUTION
Burners burn with a yellow or orange flame, in conjunction with the smell of gas. (This is normal for the burner lighting tube.)	Inspect spider/insect screens for possible obstructions. (Blockage of holes.)	Clean spider/insect screens. Refer to "ANNUAL MAINTENANCE."
Symptoms: Burners do not light. OR Burners have a small, flickering flame in the HI position. OR Grill temperature only reaches 250° to 300° in the HI position.	The excess flow safety device, which is part of the grill to tank connection, may have been activated.	To reset the excess flow safety device, turn all burner control knobs and the tank valve off. Disconnect the regulator from the tank. Turn burner control knobs to HI. Wait at least one minute. Turn burner control knobs to OFF. Reconnect the regulator to the tank. Turn tank valve on slowly. Refer to "MAIN BURNER IGNITION."
Burner does not light. OR Flame is low in HI position.	Is LP fuel low or empty?	Refill LP tank.
	Is fuel hose bent or kinked?	Straighten fuel hose.
	Does burner light with a match?	Clean burners. Refer to "MAINTENANCE."
	Did you use the snap igniter several times until the main burner lit? Refer to "MAIN BURNER IGNITION."	Make sure to hold the control knob in for two seconds after snapping the igniter and seeing the orange flame from the burner lighting tube.
	Does the igniter work? Do you see a spark when you repeatedly use the snap igniter?	Try manually lighting the burner. Refer to "MAIN BURNER MANUAL IGNITION." Call Customer Service.
Experiencing flare-ups: ⚠ CAUTION: Do not line the slide-out grease tray with aluminum foil.	Are you preheating grill in the prescribed manner?	Turn all burners on HI for 10 to 15 minutes for preheating.
	Are the cooking grates and FLAVORIZER bars heavily coated with burned-on grease?	Clean thoroughly. Refer to "CLEANING."
	Is the slide-out grease tray "dirty" and not allowing grease to flow into catch pan?	Clean slide-out grease tray.
Burner flame pattern is erratic. Flame is low when burner is on HI. Flames do not run the whole length of the burner tube.	Are burners clean?	Clean burners. Refer to "MAINTENANCE."
Inside of lid appears to be "peeling." (Resembles paint peeling.)	The lid is porcelain enamel or stainless steel, not paint. It cannot "peel." What you are seeing is baked-on grease that has turned to carbon and is flaking off. THIS IS NOT A DEFECT.	Clean thoroughly. Refer to "CLEANING."
Cabinet doors are not aligned.	Check the adjustment pin on the bottom of each door.	Loosen adjustment nut/s. Slide door/s until aligned. Tighten nut/s.
Grill seems to lose heat when cooking in cold weather temperatures of 50°F or colder.	Is there frost/ice on the outside of the LP tank?	The liquid propane in the tank turns to vapor too slowly to supply the burners with gas. This is due to the air temperature cooling the LP tank, which slows the vaporization process. Turn off burner control knobs and the LP tank. Replace with a spare LP tank and resume cooking.
If problems cannot be corrected by using these methods, please contact the Customer Service Representative in your area using the contact information on our web site. Log onto www.weber.com .		

SIDE BURNER TROUBLESHOOTING

PROBLEM	CHECK	SOLUTION
Side Burner does not light.	Is gas supply off? The excess flow safety device, which is part of the grill to tank connection, may have activated.	Turn gas supply on. To reset the excess flow safety device close the LP tank valve and turn all burner control knobs to the OFF position. Open the grill and side burner lids. Slowly turn the LP tank valve until it is completely open. Wait several seconds then ignite your side burner. Refer to "SIDE BURNER IGNITION".
Flame is low in HI position.	Is the fuel hose bent or kinked?	Straighten hose.
Push button ignition does not work.	Does burner light with a match?	If match lights burner, check igniter. Refer to "SIDE BURNER MAINTENANCE".
If problems cannot be corrected by using these methods, please contact the Customer Service Representative in your area using the contact information on our web site. Log onto www.weber.com .		

SEAR STATION TROUBLESHOOTING

PROBLEM	CHECK	SOLUTION
Burners burn with a yellow or orange flame, in conjunction with the smell of gas. (This is normal for the burner lighting tube.) SEAR STATION burner does not light.	Inspect spider/insect screens for possible obstructions. (Blockage of holes.)	Clean spider/insect screens. Refer to "ANNUAL MAINTENANCE."
	Did you ignite the two adjacent main burners? Refer to "SEAR STATION IGNITION & USAGE" for safe lighting procedure.	Verify adjacent main burner ignition by visual inspection of a flame. ⚠ WARNING: If ignition does not occur in five seconds, turn burner control OFF, wait five minutes to let the gas clear before you try again.
	Does burner light with a match?	If you can light burner with a match, then check the CROSSOVER Channel on the sear burner. Refer to "MAINTENANCE" for burner removal and cleaning procedure.
	Does the igniter work? Do you see a spark when you repeatedly use the snap igniter?	Try manually lighting the burner. Refer to "SEAR STATION IGNITION & USAGE." Call Customer Service.
General Symptoms: Burner does not light. OR Burner has a small flickering flame.	The excess flow safety device, which is part of the grill to tank connection, may have been activated.	To reset the excess flow safety device, turn all burner control knobs and the tank valve to OFF. Disconnect the regulator from the tank. Turn burner control knobs to START/HI. Wait at least one minute. Turn burner control knobs to OFF. Reconnect the regulator to the tank. Turn tank valve on slowly. Refer to "MAIN BURNER IGNITION."
If problems cannot be corrected by using these methods, please contact the Customer Service Representative in your area using the contact information on our web site. Log onto www.weber.com .		

ROTISSERIE TROUBLESHOOTING

PROBLEM	CHECK	SOLUTION
Rotisserie burner does not light.	Did you hold the burner control knob in and hold in for 20 seconds after burner ignited?	Try to relight burner by holding burner control knob in; continue holding in until 20 seconds after burner has ignited.
	Did you wait to see the entire ceramic surface become alight before counting 20 seconds?	When relighting burner by holding burner control knob in, wait to see the entire ceramic surface become alight before counting 20 seconds.
	Did you repeatedly use the snap ignition until the burner ignited?	After waiting five minutes for gas to clear, try using the snap igniter repeatedly until the burner ignites. Refer to "ROTISSERIE BURNER IGNITION & USAGE."
	Does the igniter work? Do you see a spark when you repeatedly use the snap igniter?	Try manually lighting the burner. Refer to "ROTISSERIE BURNER MANUAL IGNITION." Call Customer Service.
General Symptoms: Burner does not light. OR Burner has a small, flickering flame.	The excess flow safety device, which is part of the grill to tank connection, may have been activated.	To reset the excess flow safety device, turn all burner control knobs and the tank valve to OFF. Disconnect the regulator from the tank. Turn burner control knobs to START/HI. Wait at least one minute. Turn burner control knobs to OFF. Reconnect the regulator to the tank. Turn tank valve on slowly. Refer to "MAIN BURNER IGNITION."
If problems cannot be corrected by using these methods, please contact the Customer Service Representative in your area using the contact information on our web site. Log onto www.weber.com .		

GRILL LIGHT TROUBLESHOOTING

PROBLEMS	SOLUTIONS
Grill light does not turn on.	The grill light will activate only when lid is open. Lift the lid to the open position and press the AWAKE button.
	Install new batteries. When installing new batteries (alkaline only), confirm that each battery's plastic wrapping has been removed. Verify that the batteries are in good condition and have been installed correctly. Refer to "MAINTAINING THE GRILL LIGHT."
Grill light turned off and will not turn back on.	The light is programmed to turn off automatically after 30 minutes of inactivity. To reactivate the light, make sure lid is open and press the AWAKE button. Refer to "MAINTAINING THE GRILL LIGHT."
Grill light does not turn off.	The grill light is equipped with a tilt sensor. The tilt sensor turns the light ON when grill lid is opened and OFF when the grill lid is closed. NOTE: The AWAKE button will not turn the grill light off. To turn the light off, put the lid in the closed position.
If problems cannot be corrected by using these methods, please contact the Customer Service Representative in your area using the contact information on our web site. Log onto www.weber.com .	

CLEANING

⚠ WARNING: Turn your WEBER gas grill off and wait for it to cool before cleaning.

Outside surfaces — Use a warm soapy water solution to clean, then rinse with water.

⚠ CAUTION: Do not use oven cleaner, abrasive cleansers (kitchen cleansers), cleaners that contain citrus products, or abrasive cleaning pads on grill or cart surfaces.

Slide-out grease tray — Remove excess grease, wash with warm soapy water, then rinse.

⚠ CAUTION: Do not line the slide-out grease tray with aluminum foil.

FLAVORIZER bars and cooking grates — Clean with a suitable stainless steel bristle brush. As needed, remove from grill and wash with warm soapy water, then rinse with water.

⚠ CAUTION: Grill brushes should be checked for loose bristles and excessive wear on a regular basis. Replace brush if any loose bristles are found on cooking grates or brush. WEBER recommends purchasing a new stainless steel grill brush at the beginning of every spring.

⚠ CAUTION: Do not clean your FLAVORIZER bars or cooking grates in a self-cleaning oven.

For availability of replacement cooking grates and FLAVORIZER bars, contact the Customer Service Representative in your area using the contact information on our website. Log onto www.weber.com.

Catch pan — Check the catch pan for grease build-up each time you use your grill. Remove excess grease with a plastic scraper. Wash the catch pan with warm, soapy water and rinse with water. Disposable WEBER drip pans are available that fit the catch pan.

Thermometer — Wipe with warm soapy water; clean with plastic scrub ball.

Cookbox — Brush any debris off of burner tubes. DO NOT ENLARGE BURNER PORTS (OPENINGS). Wash inside of cookbox with warm soapy water and a water rinse.

Inside lid — While lid is warm, wipe inside with paper towel to prevent grease build-up. Flaking built-up grease resembles paint flakes.

Stainless steel surfaces — Wash with a soft cloth and a soap and water solution. Be careful to scrub with the grain direction of the stainless steel.

Do not use cleaners that contain acid, mineral spirits, or xylene. Rinse well after cleaning.

Preserve your stainless steel — Your grill or its cabinet, lid, and control panel may be made from stainless steel. Keeping the stainless steel looking its best is a simple matter. Clean it with soap and water, rinse with clear water, and wipe dry. For stubborn particles, a non-metallic brush can be used.

⚠ IMPORTANT: Do not use a wire brush or abrasive cleaners on the stainless steel surfaces of your grill as this will cause scratches.

⚠ IMPORTANT: When cleaning surfaces be sure to rub/wipe in the direction of the grain to preserve the look of your stainless steel. ♦

WEBER SPIDER/INSECT SCREENS

Your WEBER gas grill, as well as any outdoor gas appliance, is a target for spiders and other insects. They can nest in the venturi section (1) of the burner tubes. This blocks the normal gas flow, and can cause the gas to flow back out of the combustion air opening. This could result in a fire in and around the combustion air openings, under the control panel, causing serious damage to your grill.

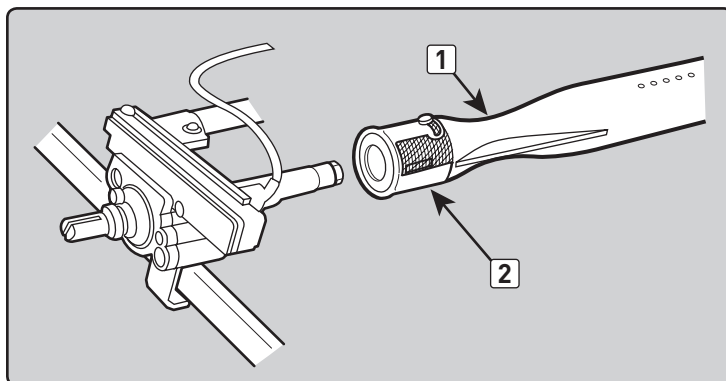
The burner tube combustion air opening is fitted with a stainless steel screen (2) to prevent spiders and other insects access to the burner tubes through the combustion air openings.

We recommend that you inspect the spider/insect screens at least once a year. (Refer to "ANNUAL MAINTENANCE.") Also inspect and clean the the spider/insect screens if any of the following symptoms should ever occur:

- A) Gas is smelled in conjunction with burner flames that appear yellow and lazy.
- B) Grill does not reach temperature.
- C) Grill heats unevenly.
- D) One or more of the burners do not ignite.

⚠ DANGER

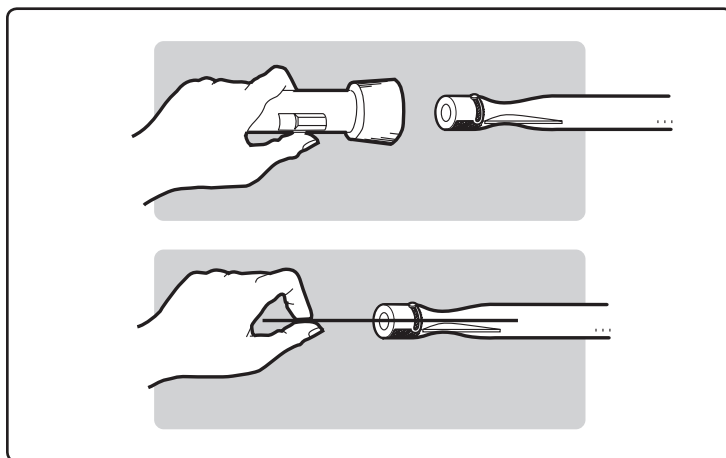
Failure to correct the above mentioned symptoms may result in a fire, which can cause serious bodily injury or death, and cause damage to property. ♦



BURNER TUBE CLEANING

- A) Turn off the gas supply.
- B) Remove the manifold. (Refer to "REPLACING MAIN BURNERS.")
- C) Look inside each burner with a flashlight.
- D) Clean the inside of the burners with a wire (a straightened-out coat hanger will also work). Check and clean the air shutter opening at the ends of the burners. Check and clean the valve orifices at the base of the valves. Use a steel bristle brush to clean outside of burners. This is to make sure all the burner ports are fully open.

⚠ CAUTION: Do not enlarge the burner ports when cleaning. ♦



REPLACING MAIN BURNERS

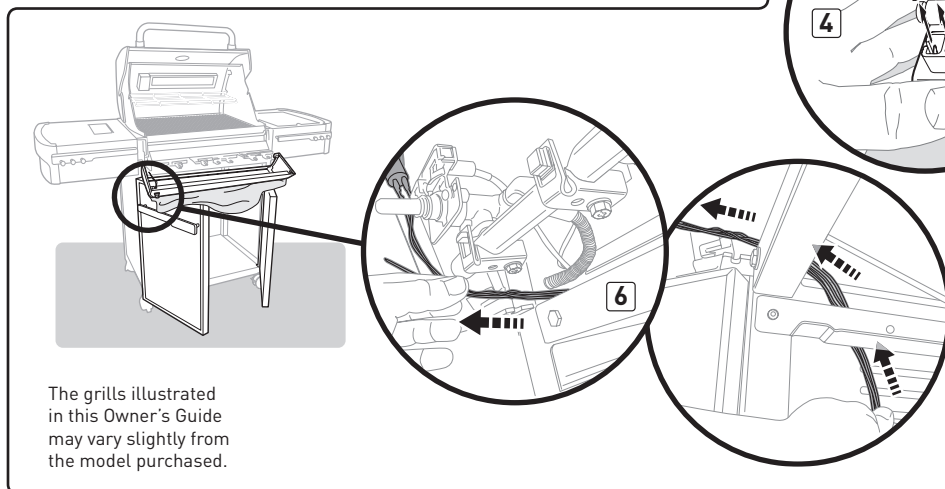
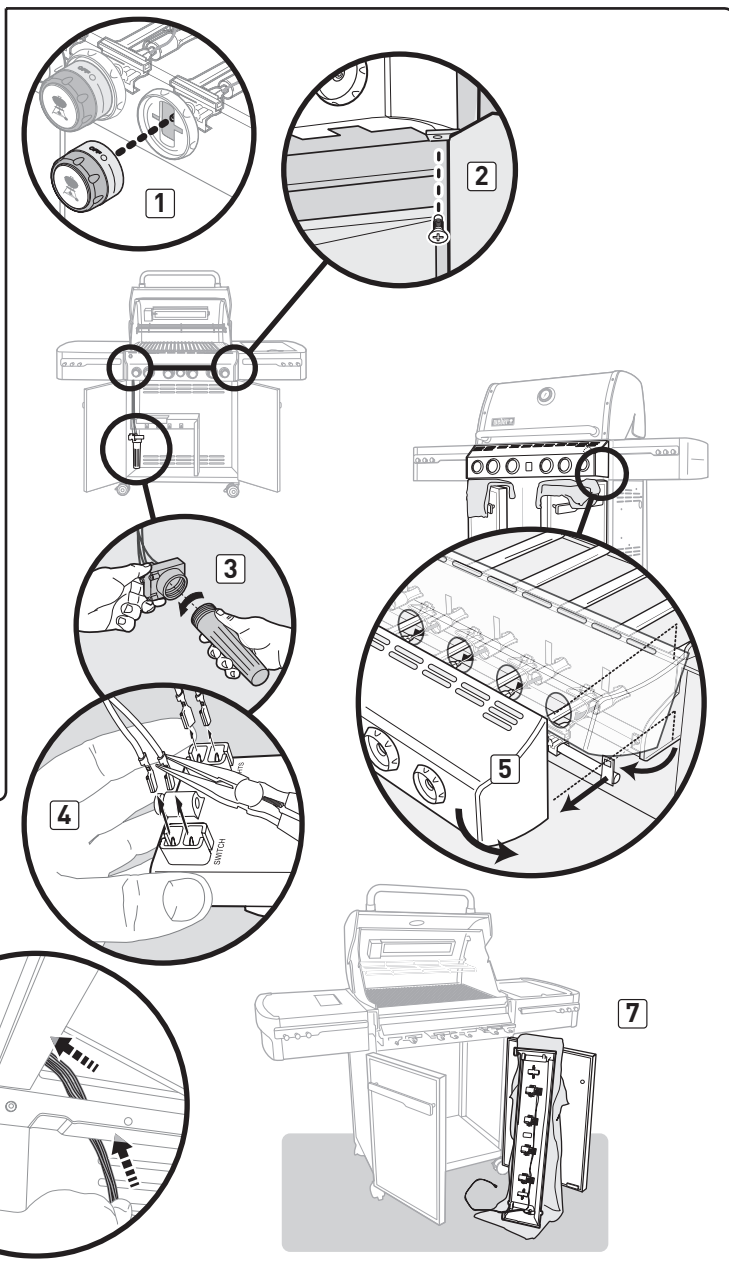
Note: Your Summit gas grill must be off and cool.

- A) Turn gas off at source.
- B) Disconnect gas supply.
- C) Remove cooking grates.
- D) Remove FLAVORIZER bars.
- E) Remove smoker box (if included with your model).

Remove Control Panel

Tools needed: Screwdriver, pliers, and towels.

- A) Remove burner control knobs (1).
- B) Open both doors. With a screwdriver, remove screws from the underside of control panel (2).
- C) Lift and remove battery housing located inside grill cabinet (3).
- D) Using needle-nose pliers, disconnect wire terminals from the top of battery housing (4). **Do not pull on the wires; remove them by pulling on the wire terminals.**
- E) Place towels on the tops of both door assemblies. **This will protect control panel and door assemblies from getting scratched on next step.**
- F) Tilt bottom of control panel forward. Lift slightly (5) and then rotate it face down to rest on tops of door assemblies. **(Be careful not to break or disconnect wires for the control panel LEDs.)**
- G) Carefully pull battery wires out from the inside of the grill cabinet (6).
- H) Fully open right door. Place control panel on floor, leaning against towel covering right door assembly (7).

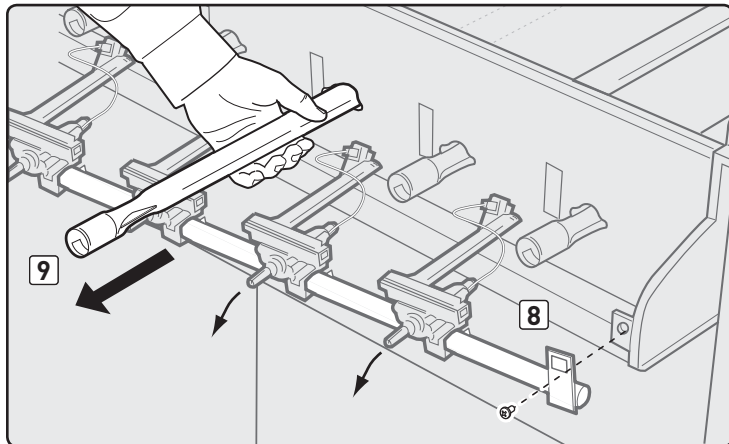


The grills illustrated in this Owner's Guide may vary slightly from the model purchased.

Remove Burner Tubes

Tools needed: 3/8" nut drivers.

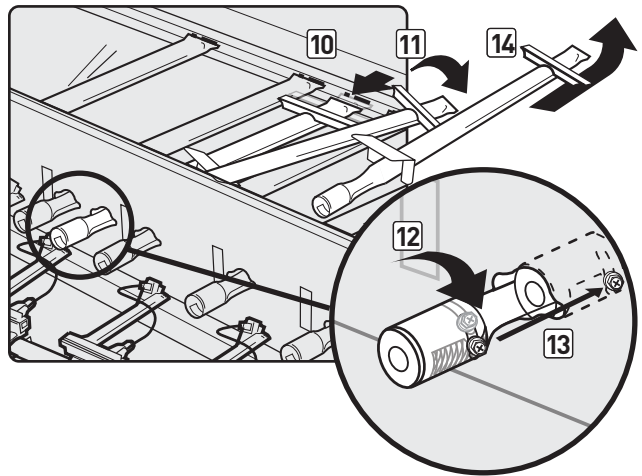
- A) Using a 3/8" nut driver, remove the screws that secure manifold assembly to the cookbox. Pull manifold assembly away from burner tubes and let it hang loose from grill cabinet (8). **Do not disconnect the blue wire from the left side of the manifold assembly.**
- B) Pull the selected burner tube(s) through the front of cookbox and replace with new burner tube(s) (9).



MAINTENANCE

Remove SEAR STATION Burner

To remove the SEAR STATION burner, pull the burner tube toward you. This removes it from the burner tube notch (10). Then rotate the tube clockwise (11), so that the screw at the end of the tube (12) fits through the notch in the heat shield opening (13). When the burner tube is free, remove it from the cookbox (14).



Reinstall Manifold

A) To reinstall the manifold assembly, reverse steps for "Remove Burner Tubes" as previously described.

⚠ **CAUTION:** The burner openings (15) must be positioned properly over the valve orifices (16). Make sure the opposite end of the burner tubes (17) properly align into the slots on the backside of the cookbox. Check proper assembly before fastening manifold in place.

⚠ **WARNING:** You should check for gas leaks every time you disconnect and reconnect a gas fitting. Refer to CHECKING FOR GAS LEAKS.

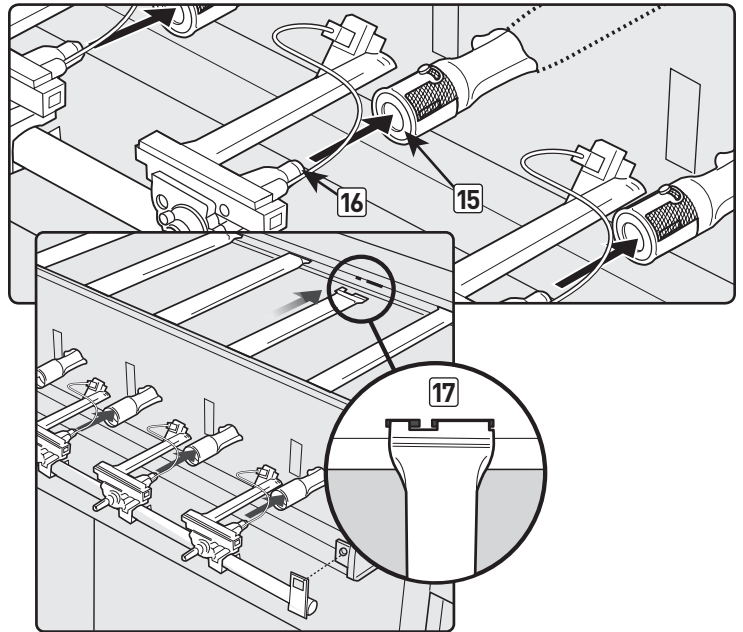
B) Replace cookbox components (not pictured).

Reinstall Control Panel

A) To reinstall the control panel assembly, reverse steps for "Remove Control Panel" as previously described.

B) Verify proper wire connections. Refer to "LIGHT FEATURES".

⚠ **WARNING:** Make sure that all parts are assembled and hardware is fully tightened before operating the grill. Your actions, if you fail to follow this product warning, may cause a fire, an explosion, or structural failure resulting in serious personal injury or death as well as damage to property. ♦



SIDE BURNER MAINTENANCE

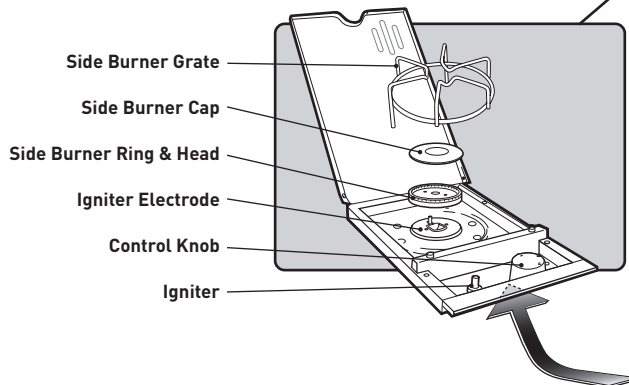
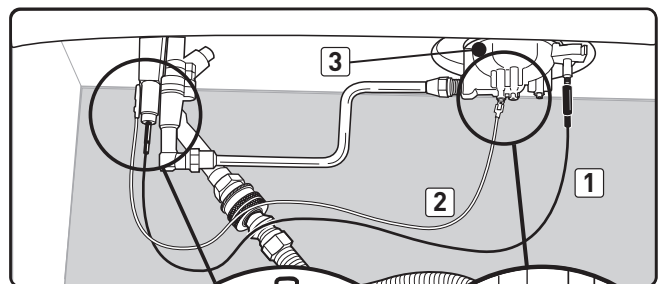
⚠ **WARNING:** All gas controls and supply valves should be in the OFF position.

Make sure black wire is connected between the igniter and electrode.

Make sure white wire is connected between the igniter and grounding clip.

Spark should be a white/blue color, not yellow.

- A) Igniter wire (1)
- B) Ground wire (2)
- C) Burner (3) ♦



ANNUAL MAINTENANCE

Inspection and Cleaning of the Spider/Insect Screens

To inspect the spider/insect screens, remove the control panel. If there is dust or dirt on the screens, remove the burners to clean the screens.

Brush the spider/insect screens lightly with a soft bristle brush (i.e., an old toothbrush).

⚠ CAUTION: Do not clean the spider/insect screens with hard or sharp tools. Do not dislodge the spider/insect screens or enlarge the screen openings.

Lightly tap the burner to get debris and dirt out of the burner tube. Once the spider/insect screens and burners are clean, replace the burner.

If a spider/insect screen becomes damaged or cannot be cleaned, please contact the Customer Service Representative in your area using the contact information on our web site. Log onto www.weber.com.

Burner Flame Pattern

The WEBER gas grill burners have been factory set for the correct air and gas mixture. The correct flame pattern is shown in illustration and described below:

- A) Burner tube **(1)**
- B) Tips occasionally flicker yellow **(2)**
- C) Light blue **(3)**
- D) Dark blue **(4)**

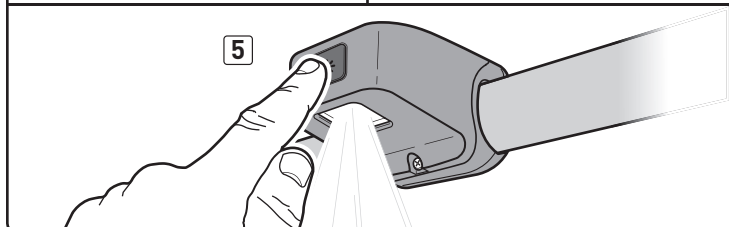
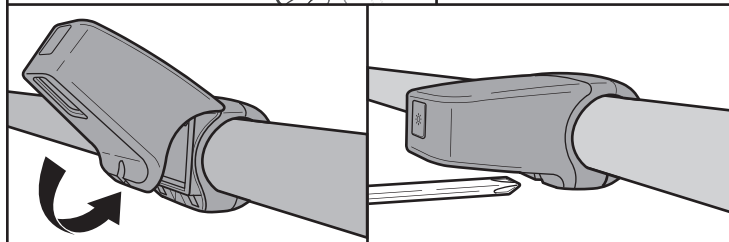
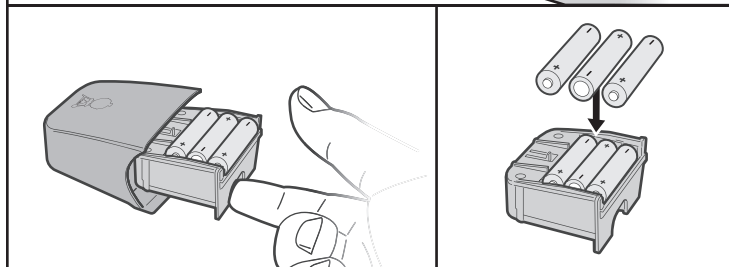
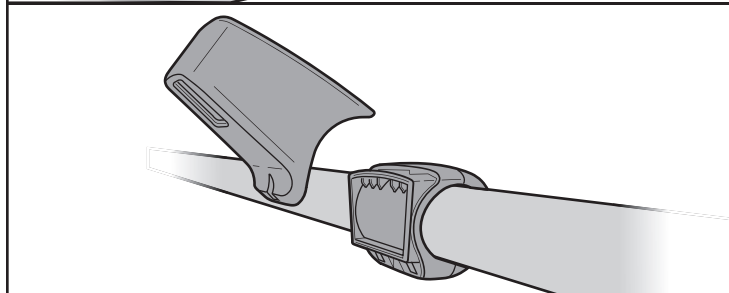
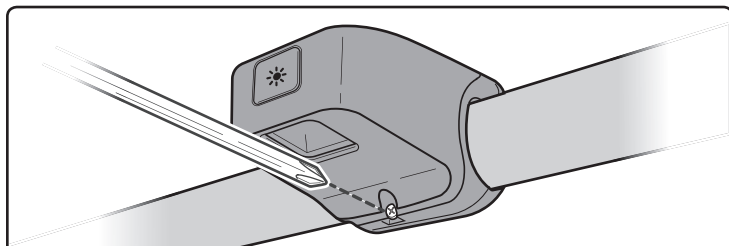
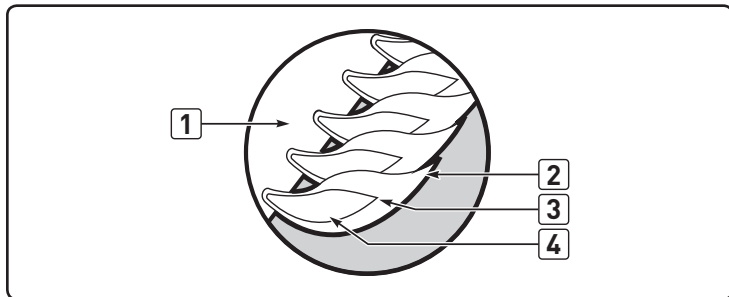
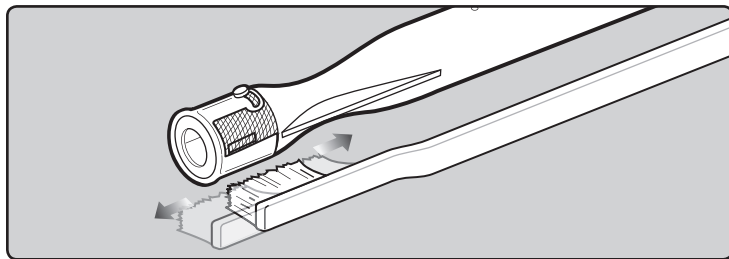
If the flames do not appear to be uniform throughout the burner tube, follow the burner cleaning procedures. ♦

MAINTAINING THE GRILL LIGHT

- When installing three new AAA batteries (alkaline only), confirm that each battery's plastic wrapping has been removed. Do not confuse this plastic with the battery label.
- Do not mix old and new batteries or different types of batteries (standard, alkaline or rechargeable).
- Verify that the batteries are in good condition and have been installed correctly.
- If you do not plan to use the light for a month or more, remove the batteries.
- Wipe the light clean with a damp cloth only. Do not use alcohol-based or abrasive cleaners.
- The light is weather resistant to rain and snow, but not waterproof. Do not submerge in water / liquids.
- Light is heat resistant. Grease fires or running the grill on high for an excessive amount of time can damage internal components.

Press the AWAKE button to activate the grill light. The light has a 'tilt sensor' that will turn on the light if the grill lid is opened and turn off the light when the grill lid is closed. If the lid is left open or closed for more than 30 minutes, the grill light will deactivate. To turn the light back on, press the AWAKE button **(5)**.

NOTE: The light does not turn OFF by pressing the AWAKE button. ♦





SUMMIT

GUIA DEL USUARIO DEL ASADOR

REGISTRAR SU ASADOR

Gracias por su compra del asador WEBER. Tómese unos minutos para proteger su inversión. Registre su asador ingresando a www.weber.com. Refiérase al número de serie que se encuentra en la cubierta de esta guía del propietario.



E-470 · S-470

LP

DEBE LEER ESTA GUÍA DEL PROPIETARIO ANTES DE PONER A FUNCIONAR LA BARBACOA DE GAS.

⚠ PELIGRO

Si huele a gas:

- 1) Cierre el suministro de gas al artefacto.
- 2) Apague todas las flamas cerrando la válvula general de paso.
- 3) Abra la tapa.
- 4) Llame inmediatamente a la central de fugas o a su proveedor de gas.

Una fuga de gas puede provocar un incendio o explosión que puede resultar en lesiones corporales serias o la muerte, o daños a la propiedad.

Antes de poner a funcionar la asador, siga cuidadosamente todos los procedimientos en este manual para verificar que no existan fugas. Haga esto aun y cuando la asador haya sido ensamblada por el distribuidor.

⚠ ADVERTENCIA

- 1) No almacene gasolina u otros fluidos inflamables en la cercanía de su aparato.
- 2) Ningún tanque de propano licuado que no esté conectado para su uso deberá almacenarse cerca de éste o cualquier otro artefacto doméstico.

No encienda este artefacto sin primero leer las secciones de ENCENDIDO DEL QUEMADOR de este manual.

ESTE ARTEFACTO A GAS ESTÁ DISEÑADO PARA USARSE SOLAMENTE AL AIRE LIBRE.

AVISO AL INSTALADOR:
Estas instrucciones deben permanecer con el propietario, quien las deberá guardar para un futuro uso.



ADVERTENCIAS

⚠ PELIGRO

El hacer caso omiso de los avisos de peligros, advertencias y precauciones contenidos en este Manual del Propietario pudiera resultar en lesiones corporales serias o la muerte, o en un fuego o explosión que cause daños a la propiedad.

⚠ ADVERTENCIAS

- ⚠ No almacene un tanque de propano licuado desconectado o de repuesto debajo o cerca de este asador.
- ⚠ El ensamblaje incorrecto puede ser peligroso. Por favor siga cuidadosamente las instrucciones de ensamblaje.
- ⚠ Tras haber estado guardada o sin uso por algún tiempo, antes de usar la barbacoa de gas WEBER verifique que no existan fugas de gas o obstrucciones en el quemador. Vea en este manual las instrucciones para los procedimientos correctos.
- ⚠ No opere la barbacoa de gas WEBER si existe una fuga de gas.
- ⚠ No utilice una llama abierta para comprobar la existencia de fugas de gas.
- ⚠ Nunca debe haber materiales combustibles a una distancia menor de 24 pulgadas (61 cm) de la parte superior, inferior, trasera o lateral de su asador de gas WEBER.
- ⚠ No coloque una funda para barbacoas ni cualquier otro artículo inflamable sobre o dentro del área de almacenaje ubicada debajo del asador.
- ⚠ Nunca permita que los niños usen la barbacoa de gas WEBER. Algunas partes accesibles de la barbacoa pudieran estar muy calientes. Mantenga alejados a los niños pequeños mientras ésta se esté usando.
- ⚠ Usted debe proceder con razonable cuidado al usar su barbacoa de gas WEBER. Ésta estará caliente al cocinarse en ella o al limpiarla, y nunca deberá dejarse desatendida o moverse mientras esté funcionando.
- ⚠ Si llegasen a apagarse los quemadores, cierre todas las válvulas de gas. Abra la tapa y espere cinco minutos antes de tratar de volver a encender la barbacoa, usando las instrucciones de encendido en este manual.
- ⚠ No use carbón o piedra pómez en su barbacoa de gas WEBER.
- ⚠ No se incline sobre la barbacoa abierta o coloque las manos o dedos en el borde delantero de la caja de cocción.
- ⚠ Si la grasa llegase a agarrar fuego, apague todos los quemadores y mantenga la tapa cerrada hasta que se haya apagado el fuego.
- ⚠ Al limpiar las válvulas o los quemadores, no ensanche los orificios de las válvulas o las aberturas de los quemadores.
- ⚠ La barbacoa de gas WEBER deberá limpiarse a fondo regularmente.
- ⚠ El propano licuado no es gas natural. El uso de gas natural en una unidad de propano licuado o viceversa, propano licuado en una de gas natural, es peligroso y anulará su garantía.
- ⚠ No intente desconectar ninguna conexión de gas mientras la barbacoa esté funcionando.
- ⚠ Mientras opere la barbacoa, utilice guantes resistentes al calor.

- ⚠ Mantenga alejados de todas las superficie calientes a todo cordón eléctrico y a la manguera de suministro de combustible.
- ⚠ Los subproductos de la combustión producidos al usar este producto contienen sustancias químicas que son conocidas por el Estado de la California como causantes de cáncer, defectos de nacimiento, u otros daños reproductivos.
- ⚠ No use esta barbacoa a menos que todas sus partes estén colocadas en su sitio. La unidad debe ensamblarse correctamente de acuerdo con las instrucciones de ensamblaje.
- ⚠ No construya este modelo de barbacoa en ninguna construcción en la que la barbacoa esté incorporada de manera fija o deslizable. El no acatar esta Advertencia pudiera resultar en un fuego o una explosión que pudiera causar daños a la propiedad y heridas corporales graves o la muerte.
- ⚠ Propuesta 65 Advertencia: El manipular los materiales de latón en este producto lo exponen al plomo, una sustancia química conocida por el estado de California como causante de cáncer, de defectos de nacimiento o de otros daños reproductivos. (Lávese las manos después de manipular este producto.) ♦

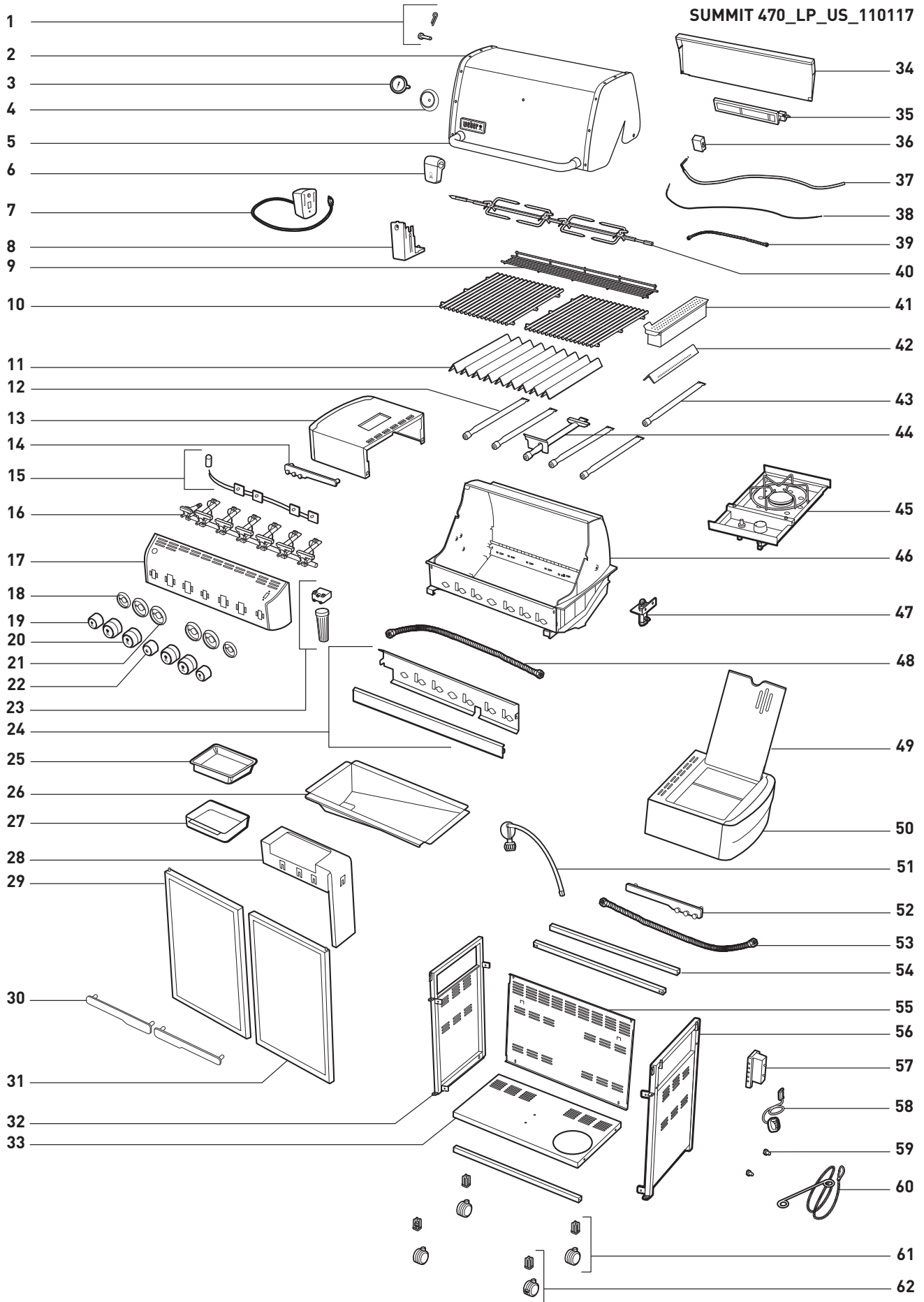
ÚNICAMENTE UNIDADES DE GAS PROPANO LICUADO

- ⚠ Use el regulador que se suministra con la barbacoa de gas WEBER.
- ⚠ No trate de desconectar el regulador de gas o ninguna conexión de gas mientras esté funcionando la barbacoa.
- ⚠ Un cilindro de propano licuado abollado u oxidado pudiera ser peligroso y deberá ser revisado por su suplidor de propano licuado. No utilice ningún cilindro de propano licuado con una válvula dañada.
- ⚠ Aunque el cilindro de propano licuado pudiera aparentar estar vacío, algo de gas pudiera aún estar presente, por lo que el cilindro deberá transportarse y almacenarse tomando esta posibilidad en consideración.
- ⚠ Si usted ve, huele o escucha el silbido de un escape de gas del cilindro de propano licuado:
 1. Apártese del cilindro de propano licuado.
 2. No trate de corregir el problema usted mismo.
 3. Llame al cuerpo de bomberos local. ♦

ADVERTENCIAS	38	ENCENDIDO Y USO DEL QUEMADOR DE LA ESTACIÓN DE DORAR SEAR STATION	58
ÍNDICE	39	ENCENDIDO DEL QUEMADOR DE LA ESTACIÓN DE DORADO SEAR STATION.....	58
DIAGRAMA DE DESPIECE	40	PARA APAGAR.....	58
LISTA DEL DIAGRAMA DE DESPIECE	41	ENCENDIDO MANUAL DEL QUEMADOR DEL ESTACIÓN DE DORADO SEAR STATION.....	59
GARANTÍA	42	PARA APAGAR.....	59
INSTRUCCIONES GENERALES	43	CÓMO USAR LA ESTACIÓN PARA DORAR SEAR STATION.....	59
PARA COMPRAS HECHAS EN MÉXICO.....	43	ENCENDIDO Y USO DEL QUEMADOR DE AHUMADO	60
INSTALACIÓN CANADIENSE.....	43	ENCENDIDO DEL QUEMADOR DEL AHUMADOR.....	60
OPERACIÓN DE LA BARBACOA.....	43	PARA APAGAR.....	60
ALMACENAJE Y/O SIN USO.....	43	ENCENDIDO MANUAL DEL QUEMADOR DEL AHUMADOR.....	61
INSTRUCCIONES SOBRE EL GAS	44	PARA APAGAR.....	61
SUGERENCIAS PARA EL MANEJO SEGURO DE LOS CILINDROS DE GAS PROPANO LICUADO.....	44	CÓMO USAR EL AHUMADOR.....	62
INFORMACIÓN IMPORTANTE SOBRE EL CILINDRO DE PROPANO LICUADO.....	45	LIMPIEZA DEL AHUMADOR.....	62
PREPARATIVOS PARA LA BÚSQUEDA DE FUGAS.....	45	ENCENDIDO Y USO DEL QUEMADOR DEL ASADOR GIRATORIO	63
DETECCIÓN DE FUGAS DE GAS.....	47	ENCENDIDO DEL QUEMADOR DEL ASADOR GIRATORIO.....	63
CÓMO RECARGAR EL CILINDRO DE PROPANO LICUADO.....	49	PARA APAGAR.....	63
FUNCIONES DE LUZ	49	ENCENDIDO MANUAL DEL QUEMADOR DEL ASADOR GIRATORIO.....	64
USO DE LA LÁMPARA PARA BARBACOA.....	49	PARA APAGAR.....	64
PERILLAS DE CONTROL ILUMINADAS.....	49	MEDIDAS PREVENTIVAS IMPORTANTES.....	65
ANTES DE UTILIZAR LA BARBACOA	50	OPERACIÓN DEL ASADOR GIRATORIO.....	65
NIVEL DE COMBUSTIBLE.....	50	CÓMO COCINAR CON EL ASADOR GIRATORIO.....	66
BANDEJA CORREDIZA RECOLECTORA DE GRASA Y BANDEJA DE GOTEÓ DESECHABLE.....	50	ALMACENAJE DEL MOTOR DEL ASADOR GIRATORIO.....	66
INSPECCIÓN DE LA MANGUERA.....	50	ALMACENAJE DEL ESPETÓN DEL ASADOR GIRATORIO.....	66
OPERACIÓN DE ENCENDIDO POR CHASQUIDO	51	RESOLUCIÓN DE PROBLEMAS	67
ENCENDIDO Y USO DEL QUEMADOR PRINCIPAL	52	RESOLUCIÓN DE PROBLEMAS CON EL QUEMADOR LATERAL	67
ENCENDIDO DEL QUEMADOR PRINCIPAL.....	52	RESOLUCIÓN DE PROBLEMAS CON EL ESTACIÓN DE DORADO SEAR STATION	68
PARA APAGAR.....	52	RESOLUCIÓN DE PROBLEMAS CON EL ASADOR GIRATORIO	68
ENCENDIDO MANUAL DEL QUEMADOR PRINCIPAL.....	53	RESOLUCIÓN DE PROBLEMAS DE LA LÁMPARA PARA BARBACOA	68
PARA APAGAR.....	53	MANTENIMIENTO	69
CONSEJOS PRÁCTICOS PARA ASAR	54	LIMPIEZA.....	69
PRECALENTADO.....	54	MALLAS WEBER CONTRA ARAÑAS E INSECTOS.....	69
COCCIÓN CUBIERTA.....	54	LIMPIEZA DE TUBO DE QUEMADOR.....	69
PRINGUES Y GRASA.....	54	REEMPLAZO DE LOS QUEMADORES PRINCIPALES.....	70
EL SISTEMA FLAVORIZER.....	54	MANTENIMIENTO DEL QUEMADOR LATERAL.....	71
ESTACIÓN DE DORADO SEAR STATION.....	54	MANTENIMIENTO ANUAL.....	72
MÉTODOS DE COCCIÓN	55	MANTENIMIENTO DE LA LÁMPARA PARA BARBACOA.....	72
COCCIÓN DIRECTA.....	55	APÉNDICE A LA GUÍA DEL PROPIETARIO DEL ASADOR A GAS	73
COCCIÓN INDIRECTA.....	55		
ENCENDIDO Y USO DEL QUEMADOR LATERAL	56		
ENCENDIDO DEL QUEMADOR LATERAL.....	56		
PARA APAGAR.....	56		
ENCENDIDO MANUAL DEL QUEMADOR LATERAL.....	57		
PARA APAGAR.....	57		

DIAGRAMA DE DESPIECE

SUMMIT 470_LP_US_110117



LISTA DEL DIAGRAMA DE DESPIECE

- | | | |
|--|---|--|
| 1. Accesorios de la cubierta | 22. Perilla de la estación de dorado SEAR STATION | 43. Quemador del ahumador |
| 2. Cubierta | 23. Compartimiento de las baterías | 44. Quemador de la estación de dorado SEAR STATION |
| 3. Termómetro | 24. Reflector de agua / Pantalla térmica | 45. Quemador lateral |
| 4. Moldura decorativa del termómetro | 25. Bandeja de goteo desechable | 46. Caja de cocción |
| 5. Asa | 26. Bandeja corrediza inferior | 47. Tabique divisorio |
| 6. Conjunto de lámpara para barbacoa | 27. Plato recolector | 48. Manguera del múltiple |
| 7. Motor del asador giratorio | 28. Soporte del plato recolector | 49. Tapa del quemador lateral |
| 8. Soporte del asador giratorio | 29. Puerta izquierda | 50. Mesa del quemador lateral |
| 9. Rejilla de calentamiento | 30. Asa de la puerta | 51. Manguera / Regulador |
| 10. Parrilla de cocción | 31. Puerta derecha | 52. Portaherramientas derecho |
| 11. Barra FLAVORIZER | 32. Panel izquierdo del bastidor | 53. Manguera del quemador lateral |
| 12. Tubo quemador | 33. Panel inferior | 54. Soporte del bastidor |
| 13. Mesa lateral | 34. Tapa del quemador infrarrojo | 55. Panel trasero |
| 14. Portaherramientas izquierdo | 35. Quemador infrarrojo | 56. Panel derecho del bastidor |
| 15. Cableado prefabricado del tablero de control | 36. Caja del quemador infrarrojo | 57. Báscula del tanque |
| 16. Múltiple | 37. Cable de encendido del quemador infrarrojo | 58. Conjunto LED de la báscula del tanque |
| 17. Tablero de control | 38. Termopar | 59. Deslizadera del tanque |
| 18. Moldura decorativa de la perilla pequeña | 39. Manguera del quemador infrarrojo | 60. Portacerillos |
| 19. Perilla pequeña | 40. Ensamble del espetón del asador giratorio | 61. Rueda giratoria |
| 20. Perilla grande | 41. Caja del ahumador | 62. Rueda giratoria con bloqueo |
| 21. Moldura decorativa de la perilla grande | 42. Barra del ahumador | |

La promesa de WEBER

En WEBER estamos orgullosos de dos cosas: fabricar asadores que duran y ofrecer toda una vida de excelente atención al cliente.

Garantía

Gracias por adquirir un producto WEBER. Weber-Stephen Products LLC, 1415 S. Roselle Road, Palatine, Illinois 60067, y sus delegaciones comerciales de Norteamérica y Sudamérica (en adelante y en conjunto, "WEBER") se enorgullecen de fabricar productos seguros, duraderos y confiables.

WEBER ofrece esta Garantía Voluntaria sin costo adicional. Aquí encontrarás la información necesaria si tu producto WEBER necesita reparación o reemplazo, en el caso poco probable de que sufra una falla o defecto.

Según la legislación vigente, el Propietario posee diversos derechos en caso de que el producto resulte defectuoso. Tales derechos incluyen desempeño complementario o reemplazo, rebaja del precio de compra y compensación. Las cláusulas de esta Garantía no afectan a tales derechos legales ni a ningún otro. De hecho, esta Garantía proporciona al Propietario derechos que van más allá de los que le otorga la Garantía legal.

Garantía Voluntaria de WEBER

WEBER garantiza al comprador del producto WEBER (o, en caso de que sea un regalo o promoción, la persona para quien haya sido adquirido como regalo o artículo promocional) (en adelante, el "Propietario") que este se encontrará libre de defectos de materiales y mano de obra durante diez (10) años a partir de la fecha de compra, siempre que el armado y uso del mismo tengan lugar de acuerdo con el manual del propietario que lo acompaña, quedando excluidos el desgaste y deterioro normales del producto.

(Nota: En caso de pérdida o extravío del manual del propietario del producto WEBER, es posible descargar un reemplazo en www.weber.com). WEBER acepta, en el marco de esta Garantía, reparar o sustituir las piezas defectuosas en cuanto a materiales o mano de obra, con las limitaciones y exclusiones descritas a continuación. EN LA MEDIDA EN QUE LO PERMITA LA LEGISLACIÓN APLICABLE, ESTA GARANTÍA SÓLO SERÁ VÁLIDA PARA EL COMPRADOR ORIGINAL Y NO PODRÁ TRANSFERIRSE A POSTERIORES PROPIETARIOS, EXCEPTO EN CASO DE REGALO O ENTREGA COMO ARTÍCULO PROMOCIONAL, SEGÚN LO DESCRITO ANTERIORMENTE.

WEBER respalda sus productos y ofrece con gusto la Garantía descrita frente a defectos de materiales en el asador o sus componentes, quedando excluidos el desgaste y deterioro normales del producto.

- Se entienden por "desgaste y deterioro normales" los deterioros estéticos e inmateriales que se deriven de la propiedad prolongada del asador, como la oxidación de superficies, las abolladuras/rayones, etc.

WEBER, no obstante, cumplirá sus obligaciones según esta Garantía en relación con el asador y sus componentes en caso de daño o disfunción como consecuencia de defectos de materiales.

- Se entienden por "defectos de materiales" el agrietamiento por corrosión o quemadura de ciertas piezas, así como otros daños o fallas que impidan usar el asador con seguridad/de un modo apropiado.

Responsabilidades del Propietario bajo esta Garantía/situaciones no cubiertas

A fin de asegurar la debida cobertura de la Garantía, es importante (aunque no obligatorio) registrar el producto WEBER en www.weber.com. Deben

conservarse el recibo y/o la factura de compra originales. Al registrar el producto WEBER, se confirma la cobertura de la Garantía, se acelera el procesamiento de las posibles reclamaciones en Garantía y se establece un vínculo directo con WEBER que el fabricante puede usar si necesita contactar con el Propietario. Si no tuviste tiempo de registrar tu asador antes de solicitar asistencia en Garantía, recopila los siguientes datos antes de llamar: nombre, domicilio, número de teléfono, correo electrónico, número de serie, fecha de compra, distribuidor, modelo, color y principal problema.

La Garantía anterior sólo será válida si el Propietario cuida razonablemente del producto WEBER de acuerdo con las instrucciones de armado, las instrucciones de uso y las indicaciones de mantenimiento preventivo descritas en el manual del propietario que lo acompaña, a menos que el Propietario pueda demostrar que la falla o el defecto no tiene relación con el incumplimiento de tales obligaciones. Si el producto se instala en una zona costera o cerca de una alberca, el lavado y enjuague periódicos de las superficies exteriores se considerarán parte del mantenimiento, según lo descrito en el manual del propietario.

Esta GARANTÍA no cubre piezas dañadas, deterioradas, decoloradas y/u oxidadas por motivos de los que WEBER no sea responsable y tengan su origen en:

- Abuso, mal uso, alteración, modificación, uso indebido, vandalismo, negligencia, armado o instalación incorrectos, u omisión al llevar a cabo las labores normales y rutinarias de mantenimiento.
- Insectos (como arañas) y roedores (como ardillas), incluidos, entre otros, los daños en quemadores y/o mangueras de gas.
- Exposición a atmósferas salinas y/o fuentes de cloro, como albercas o tinas calientes/spas.
- Condiciones meteorológicas severas, como granizo, huracanes, terremotos, tsunamis o temporales, tornados o grandes tormentas.
- Lluvia ácida y otros factores ambientales.

El uso y/o la instalación de piezas no fabricadas por WEBER en el producto WEBER es motivo de invalidación de esta Garantía, que no cubrirá los daños que resulten de tales acciones. Toda conversión de un asador de gas no autorizada por WEBER y llevada a cabo por un técnico autorizado por WEBER ocasionará la invalidación de esta Garantía.

Procesamiento de la Garantía

Si crees que tienes una pieza cubierta por esta Garantía, contacta con el servicio de atención al cliente de WEBER usando la información de contacto disponible en nuestro sitio web (www.weber.com). Luego de llevar a cabo las investigaciones que correspondan, WEBER reparará o sustituirá (a decisión propia) la pieza defectuosa cubierta por esta Garantía. En caso de que la reparación o sustitución no sea posible, WEBER podrá (a decisión propia) reemplazar el asador en cuestión por otro nuevo de igual o mayor valor. Puede ser que WEBER te pida que devuelvas las piezas afectadas para su inspección (deberás cubrir los gastos de envío).

Antes de contactar con el servicio de atención al cliente, recopila la siguiente información: nombre, domicilio, número de teléfono, correo electrónico, número de serie, fecha de compra, distribuidor, modelo, color y principal problema.

Exenciones de responsabilidad

APARTE DE LAS GARANTÍAS Y EXENCIONES DESCRITAS COMO PARTE DE ESTA DECLARACIÓN DE GARANTÍA, NO EXISTEN OTRAS GARANTÍAS O DECLARACIONES VOLUNTARIAS DE RESPONSABILIDAD EXPLÍCITAS, MÁS ALLÁ DE LA RESPONSABILIDAD LEGAL APLICABLE A WEBER. ASIMISMO, LA PRESENTE DECLARACIÓN DE GARANTÍA NO LIMITA NI EXCLUYE AQUELLAS SITUACIONES O RECLAMACIONES DE LAS QUE WEBER DEBA HACERSE RESPONSABLE SEGÚN LO PREVISTO EN LA LEY.

NO SE CONSIDERARÁ VÁLIDA NINGUNA OTRA GARANTÍA UNA VEZ VENCIDA ESTA GARANTÍA DE DIEZ (10) AÑOS. WEBER NO ASUMIRÁ NINGUNA OTRA GARANTÍA (INCLUIDAS LAS "GARANTÍAS AMPLIADAS") OFRECIDA POR NINGUNA PERSONA, DISTRIBUIDOR O AGENTE COMERCIAL, EN RELACIÓN CON NINGÚN PRODUCTO. EL ÚNICO OBJETO DE ESTA GARANTÍA ES LA REPARACIÓN O SUSTITUCIÓN DE LA PIEZA O EL PRODUCTO EN CUESTIÓN.

ESTA GARANTÍA VOLUNTARIA NO CUBRIRÁ EN NINGÚN CASO IMPORTES ECONÓMICOS SUPERIORES AL PRECIO DE COMPRA DEL PRODUCTO WEBER ADQUIRIDO.

EL USUARIO ASUME EL RIESGO Y LA RESPONSABILIDAD DERIVADOS DE AQUELLAS PÉRDIDAS, DAÑOS O LESIONES SUFRIDOS POR AQUEL Y SU PROPIEDAD Y/U OTRAS PERSONAS Y SUS PROPIEDADES, QUE SE DERIVEN DEL MAL USO O ABUSO DEL PRODUCTO, O DE NO RESPETAR LAS INSTRUCCIONES INCLUIDAS EN EL MANUAL DEL PROPIETARIO QUE LO ACOMPAÑA.

LAS PIEZAS Y ACCESORIOS SUSTITUIDOS EN EL MARCO DE ESTA GARANTÍA GOZARÁN DE UN PERÍODO DE GARANTÍA EQUIVALENTE AL TIEMPO RESTANTE DEL PERÍODO DE GARANTÍA ORIGINAL, DE DIEZ (10) AÑOS.

ESTA GARANTÍA SÓLO ES VÁLIDA PARA EL USO EN VIVIENDAS O DEPARTAMENTOS UNIFAMILIARES PRIVADOS, NO ASÍ PARA ASADORES WEBER® DESTINADOS AL USO EN INSTALACIONES COMERCIALES, COMUNITARIAS O DE UNIDADES MÚLTIPLES, COMO RESTAURANTES, HOTELES, COMPLEJOS TURÍSTICOS O PROPIEDADES DE RENTA.

PUEDA SER QUE WEBER MODIFIQUE EL DISEÑO DE SUS PRODUCTOS CADA CIERTO TIEMPO. NINGUNA DE LAS ESTIPULACIONES QUE CONTIENE ESTA GARANTÍA DEBE CONSIDERARSE CONSTITUYENTE DE UNA OBLIGACIÓN POR PARTE DE WEBER DE INCORPORAR TALES CAMBIOS DE DISEÑO A PRODUCTOS FABRICADOS ANTERIORMENTE; DEL MISMO MODO, LA APLICACIÓN DE TALES CAMBIOS NO CONSTITUIRÁ UNA ADMISIÓN DEL CARÁCTER DEFECTUOSO DE LOS DISEÑOS ANTERIORES.

Weber-Stephen Products LLC
Centro de atención al cliente
1415 S. Roselle Road
Palatine, IL 60067
EE. UU.

Para adquirir piezas de repuesto, llama al teléfono:
1-800-446-1071

Para compras hechas en México / Para garantía acudir / Importado por:
WEBER-Stephen Products S.A. de C.V.
Anatole France 139-139A
Colonia. Polanco III Sección
Del. Miguel Hidalgo
Ciudad de México
C.P. 11540
RFC: WPR030919-ND4

Para partes de repuesto llame a:
01800-00-WEBER (93237)

Para hacer efectiva esta garantía es necesario llame por teléfono a los números indicados en este apartado o presentarse en los establecimientos autorizados por WEBER. Para hacer efectiva esta garantía no pueden exigirse otros requisitos más que la presentación del producto, la garantía vigente y comprobante de venta.

INSTRUCCIONES GENERALES

La barbacoa de gas WEBER es portátil por lo que usted puede reubicarla fácilmente de sitio en su jardín o patio. La portabilidad significa que, si usted se muda, se puede llevar su barbacoa de gas WEBER consigo.

El suministro de gas propano licuado es fácil de usar y le da más control al cocinar que el carbón.

- Estas instrucciones le indicarán los requisitos mínimos para ensamblar la barbacoa de gas WEBER. Por favor lea cuidadosamente las instrucciones antes de utilizar la barbacoa de gas WEBER. Un ensamblaje incorrecto puede ser peligroso.
- No debe ser usada por niños.
- Si hubiese códigos locales que aplicasen para las barbacoas de gas portátil, usted deberá acatarlos. La instalación debe cumplir con los códigos locales o, en ausencia de estos, bien sea con el "Código nacional de gas combustible", ANSI Z223.1/NFPA 54, el "Código de instalaciones de gas natural y propano", CSA B149.1, o el "Código de manipulación y almacenaje de propano", B149.2, o la "Norma para vehículos recreativos", ANSI A 119.2/NFPA 1192, y CSA Z240 RV Series, "Código para vehículos recreativos", según corresponda.
- Debe usarse el regulador de presión suministrado con la barbacoa de gas WEBER. Este regulador está ajustado para una presión de 11 pulgadas de columna de agua.
- Esta barbacoa de gas WEBER está diseñada para ser usada solamente con gas propano licuado (LP). No la use con gas natural (suministrado a través de tuberías en las ciudades). Las válvulas, los orificios, la manguera y regulador son solamente aptos para gas propano licuado.
- No la use con carbón.
- Asegúrese de que el área debajo del panel de control y de la bandeja corredera para la grasa no tengan desechos que pudiesen obstruir el flujo de aire de combustión o de ventilación.
- Las áreas alrededor del cilindro de gas de propano licuado deben estar libres y sin acumulación de desperdicios.
- Los reguladores de presión y ensamblajes de manguera de reemplazo deben ser los especificados por Weber-Stephen Products LLC. ♦

PARA COMPRAS HECHAS EN MÉXICO

- Si hubiese códigos locales que se aplicasen a los asadores de gas portátiles, usted deberá cumplir con la más reciente edición de NOM. ♦

INSTALACIÓN CANADIENSE

Esta instrucciones, aunque de manera general son aceptables, no necesariamente cumplen con los códigos de instalación canadienses, en particular en lo que respecta a tuberías bajo y sobre tierra. En Canadá, la instalación de este aparato debe cumplir con los códigos locales y/o la más reciente edición de la Norma CAN/CSA-B149.2 (Código de Almacenaje y Manejo del Propano). ♦

OPERACIÓN DE LA BARBACOA

- ⚠ **ADVERTENCIA:** Sólo use esta barbacoa al aire libre en un área bien ventilada. No la use en un garaje, edificio, pasadizo techado o en cualquier otra área cerrada.
- ⚠ **ADVERTENCIA:** Mantenga las aberturas de ventilación de la caja del cilindro libres de obstrucciones y limpias.
- ⚠ **ADVERTENCIA:** La barbacoa de gas WEBER no deberá usarse debajo de un techo combustible.
- ⚠ **ADVERTENCIA:** La barbacoa de gas WEBER no ha sido diseñada para instalarse en o sobre vehículos y/o botes recreativos.
- ⚠ **ADVERTENCIA:** No utilice la barbacoa a menos de 24 pulgadas (61 cm) de distancia de materiales combustibles.
- ⚠ **ADVERTENCIA:** La caja de cocción entera se calienta al usarse. No la deje desatendida.
- ⚠ **ADVERTENCIA:** Mantenga a cualquier cordón eléctrico y a la manguera de suministro de gas alejados de toda superficie caliente.
- ⚠ **ADVERTENCIA:** Mantenga el área de cocinar libre de vapores y líquidos inflamables tales como gasolina, alcohol, etc. y de materiales combustibles.
- ⚠ **ADVERTENCIA:** Nunca almacene cilindros de propano licuado extra (de repuesto) debajo o cerca de la barbacoa de gas WEBER.
- ⚠ **ADVERTENCIA:** El cilindro de propano licuado usado con la barbacoa debe contar con un "Dispositivo de prevención de sobrellenado" (OPD, por sus siglas en inglés) y una conexión QCC1 o tipo 1 (CGA810). La conexión del cilindro debe ser compatible con la de la barbacoa. ♦

ALMACENAJE Y/O SIN USO

- La válvula de gas en el cilindro de propano licuado debe mantenerse cerrada mientras la barbacoa de gas WEBER esté sin usarse.
- Cuando la barbacoa de gas WEBER esté almacenada bajo techo, el suministro de gas debe DESCONECTARSE y el tanque de propano licuado debe guardarse al aire libre en un espacio bien ventilado.
- El cilindro de propano licuado debe guardarse al aire libre en un área bien ventilada fuera del alcance de los niños. El cilindro desconectado de propano licuado no debe almacenarse dentro de ninguna edificación, garaje o área cerrada.
- Cuando el cilindro de propano licuado no esté desconectado de la barbacoa de gas WEBER, el artefacto junto con el tanque de propano licuado deberán mantenerse al aire libre en un espacio bien ventilado.
- La barbacoa de gas WEBER debe revisarse antes de usarse para verificar de que no tenga fugas de gas ni obstrucciones en los tubos de los quemadores. (Consulte la sección "MANTENIMIENTO/MANTENIMIENTO ANUAL").
- Asegúrese de que el área debajo del panel de control y la bandeja inferior no tengan desechos que pudiesen obstruir el flujo de aire de combustión o de ventilación.
- También deberá revisarse que la malla contra arañas e insectos no esté obstruida. (Consulte la sección "MANTENIMIENTO/MANTENIMIENTO ANUAL"). ♦

⚠ **ATENCIÓN:** A este producto se le han realizado pruebas de seguridad y ha sido certificado para usarse en un país específico. Refiérase al país indicado en la parte externa del cartón de empaque.

Estas partes pueden ser componentes que transporten gas o lo quemem. Por favor póngase en contacto con el Departamento de Atención al Cliente de Weber-Stephen Products LLC para obtener información sobre las partes de repuesto Weber-Stephen Products LLC genuinas.

⚠ **ADVERTENCIA:** No trate de realizar reparación alguna a los componentes que transporten o quemem gas sin antes ponerse en contacto con el Departamento de Atención al Cliente de Weber-Stephen Products LLC. Si no llegase a acatar esta advertencia, sus acciones podrían causar un fuego o una explosión que resulte en lesiones personales serias o la muerte o daños a la propiedad.

INSTRUCCIONES SOBRE EL GAS

SUGERENCIAS PARA EL MANEJO SEGURO DE LOS CILINDROS DE GAS PROPANO LICUADO

- El gas propano licuado es un producto petrolero al igual que lo son la gasolina y el gas natural. El propano es un gas a temperaturas y presiones normales. Bajo presión moderada, dentro de un cilindro, el gas propano es un líquido. En la medida en que se libera la presión, el líquido se evapora fácilmente y se convierte en gas.
- El gas propano tiene un olor similar al gas natural. Usted deberá estar al tanto de este olor.
- El gas propano es más pesado que el aire. El gas propano proveniente de una fuga puede acumularse en áreas bajas y prevenir su dispersión.
- Para llenar un cilindro de gas propano, llévelo a un expendedor de gas propano, o busque a otros suplidores bajo "gas propano" en el directorio telefónico.

⚠ ADVERTENCIA: Recomendamos llenar su cilindro de gas propano licuado con un distribuidor de gas propano autorizado que tenga un encargado debidamente calificado y que llene el tanque en base a peso. EL LLENADO INCORRECTO ES PELIGROSO.

- Antes de su llenado inicial, el aire debe ser retirado de todo cilindro nuevo de propano licuado. Los distribuidores de propano licuado están equipados para hacerlo.
- El cilindro de propano licuado debe instalarse, transportarse, y almacenarse en una posición parada. Los cilindros de propano licuado no deben dejarse caer o manipularse de manera brusca.
- Nunca almacene o transporte los cilindros de propano licuado en sitios donde la temperatura alcance los 125° F (52° C—demasiado caliente para sostenerlo con la mano). [Por ejemplo: no deje un cilindro de gas propano dentro de un carro en un día caluroso].

Nota: una recarga durará alrededor de 18-20 horas de tiempo de cocción bajo uso normal. La escala de combustible, una característica de algunas de nuestras barbacoas, indicará el suministro de propano de manera que usted puede recargar antes de agotarse el mismo. No necesita agotar el tanque antes de rellenarlo.

- Trate a los cilindros de propano licuado "vacíos" con el mismo cuidado que cuando están llenos. Aun cuando el tanque de gas propano no contenga líquido, todavía puede haber presión del gas en el cilindro. Siempre cierre la válvula del cilindro antes de desconectarlo.

⚠ PRECAUCIÓN: Siempre que el cilindro esté sin usarse, coloque la capucha antipolvo sobre la salida de la válvula del mismo. Sólo instale sobre la salida de la válvula el tipo de capucha antipolvo con la que vino provista la misma. Otros tipos de capuchas o tapones pudieran causar fugas de propano.

- No use ningún cilindro de propano licuado dañado. Un cilindro de propano licuado abollado u oxidado o con la válvula dañada es peligroso y deberá reemplazarse por uno nuevo inmediatamente.
- Cada vez que se reconecte un cilindro de propano licuado, se debe revisar que la unión por donde se conecta la manguera al cilindro no presente fugas. Por ejemplo, haga la prueba cada vez que se llena el cilindro de propano licuado.
- Asegúrese de que el regulador esté montado con el pequeño agujero respiradero viendo hacia abajo de manera que no se acumule agua en él. Este respiradero debe mantenerse libre de sucio, grasa, insectos, etc.
- Las conexiones de gas suministradas con la barbacoa de gas WEBER han sido diseñadas para cumplir en un 100% con los requisitos de las normas CSA y ANSL.

⚠ ADVERTENCIA: Lo tanques de propano licuado de reemplazo deben tener conexiones compatibles con la del regulador suministrado con esta barbacoa.

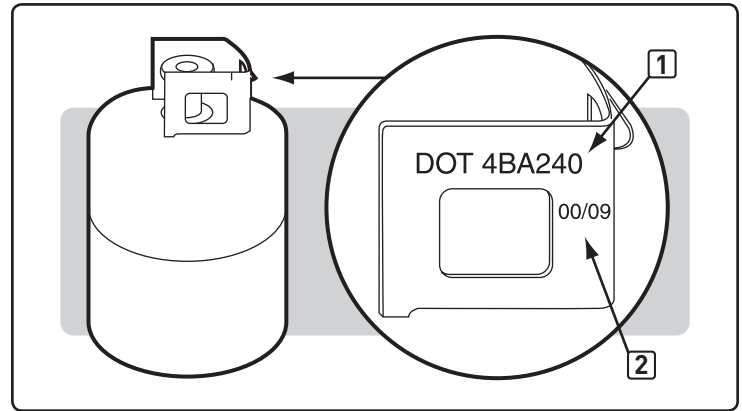
Requisitos de los Cilindros de Propano Licuado

- Asegúrese de que los cilindros tengan una certificación del D.O.T. (Departamento de Transporte) **(1)**, y que la fecha en que fueron probados **(2)** no sea de más de cinco años atrás. Su proveedor de propano licuado puede hacerlo por usted.
- Todos los sistemas de tanques de suministro de propano licuado deben incluir un collar que proteja la válvula del cilindro.
- El cilindro de gas debe tener un tamaño aproximado de 20 lb. (18¼ pulgadas de alto y 12¼ pulgadas de diámetro).
- Los cilindros deben construirse y marcarse de acuerdo con las "Especificaciones para cilindros de gas propano licuado" del Departamento de Transporte (D.O.T.) de los EE.UU. o la Norma Nacional Canadiense "CAN/CSA-B339, Cilindros, esferas y tubos" o "Transporte de bienes peligrosos"; y Comisión, según aplique.

Requisitos Canadienses sobre los Cilindros de Propano Licuado

Nota: Su proveedor de venta al por menor puede ayudarle a buscar un tanque de reemplazo para su barbacoa.

- El cilindro de propano licuado debe estar construido y marcado de acuerdo con las especificaciones para cilindros de gas propano licuado, T.C. ♦



INSTRUCCIONES SOBRE EL GAS

INFORMACIÓN IMPORTANTE SOBRE EL CILINDRO DE PROPANO LICUADO

⚠ PELIGRO

NUNCA almacene un cilindro de gas propano licuado de reserva debajo o cerca de esta barbacoa. **NUNCA** llene el tanque más allá de un 80% lleno. El no acatar estrictamente estos avisos de **PELIGRO** pudiera resultar en un fuego letal o causar lesiones serias.

Su barbacoa de gas WEBER está equipada para usarse con un sistema de suministro desde cilindros diseñado para el retiro del vapor.

⚠ ADVERTENCIA: Solamente use esta barbacoa en un área bien ventilada al aire libre. No la use en un garaje, edificio, pasadizo techado o en cualquier otra área cerrada.

Las maneras correctas para llenar su cilindro son por peso o por volumen, según se describe en la norma NFPA-58. Por favor asegúrese de que su estación de llenado llene su cilindro de gas propano licuado midiendo el peso o el volumen. Pídale al personal de la estación de llenado que lean las instrucciones sobre cómo purgar y llenar el cilindro de gas propano licuado antes de tratar de llenarlo. ♦

PREPARATIVOS PARA LA BÚSQUEDA DE FUGAS

Verifique que Todas las Válvulas de los Quemadores Estén Cerradas

Las válvulas son despatchadas de fábrica en la posición cerradas, pero usted debe verificarlo para asegurarse de que efectivamente estén cerradas. Verifíquelo presionándolas hacia abajo y girándolas hacia la derecha. Si no giran, están cerradas. Si sí girasen, continúe girándolas hacia la derecha hasta que paren; allí estarán cerradas.

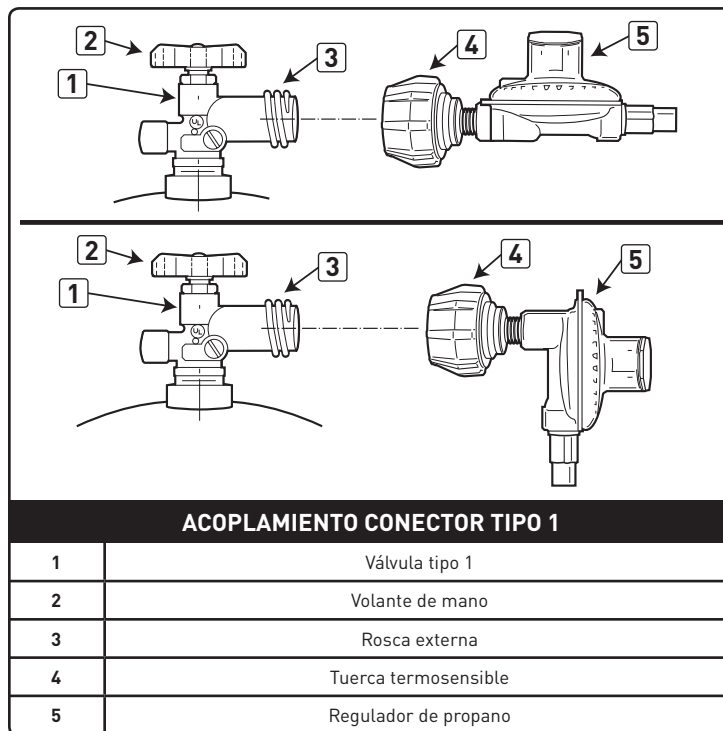
El cilindro de propano licuado

Todos los reguladores de las barbacoas WEBER de gas propano licuado están equipados con una conexión para tanques aprobada por UL según la más reciente edición de AS1 Z21.58. Esto requerirá de un tanque de propano licuado equipado de manera similar con una conexión tipo 1 en la válvula del tanque. Este acoplamiento tipo 1 permite realizar una conexión rápida y totalmente segura entre la barbacoa de gas y el tanque de propano licuado. Elimina la posibilidad de fugas a causa de una conexión POL floja. El gas no fluirá del tanque a menos que el acoplamiento tipo 1 esté totalmente encajado dentro del acoplamiento.

⚠ ADVERTENCIA: Asegúrese de que la válvula del cilindro de propano licuado esté cerrada. Ciérrela girándola en la dirección de las agujas del reloj.

⚠ PELIGRO

No utilice una llama abierta para comprobar si existen fugas de gas. Asegúrese de que no haya chispas o llamas abiertas en el área mientras comprueba si existen fugas. Chispas o llamas causarían un fuego o explosión, las cuales pueden causar serias lesiones corporales o la muerte, y daños a la propiedad.



INSTRUCCIONES SOBRE EL GAS

- A) Ubique la grapa de retención de la manguera (1) en la manguera del regulador. Fijela a la ranura (2) en el lado inferior de la báscula del tanque.

⚠ ADVERTENCIA: La manguera debe fijarse a la báscula del tanque con la grapa de retención de la manguera. El no hacerlo pudiera causar daños a la manguera resultando en un fuego o explosión, lo cual puede causar lesiones corporales o la muerte y daños a la propiedad.

Algunos tanques de propano licuado tienen ensambles del collarín superior diferentes. (El collarín superior es el aro protector de metal alrededor de la válvula.) Una serie de tanques se montan con la válvula hacia adelante (3). Los demás tanques se ensamblan con la válvula viendo en dirección contraria a la báscula de combustible (4). WEBER recomienda el uso de cilindros fabricados por las empresas Manchester y Worthington, con una capacidad de 47.6 libras de agua. Otros cilindros pudieran ser aceptables para su uso con este artefacto siempre y cuando sean compatibles con el mecanismo de retención del artefacto (vea la Ilustración para detallar el punto de contacto del mecanismo de retención).

El cilindro de propano licuado va instalado dentro del gabinete de la base, sobre la báscula del tanque (lado derecho).

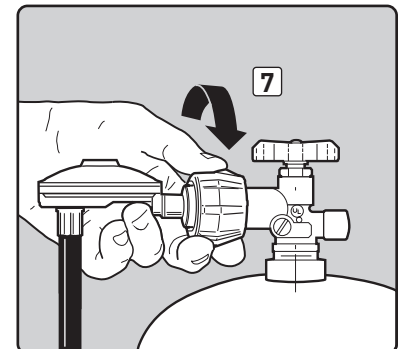
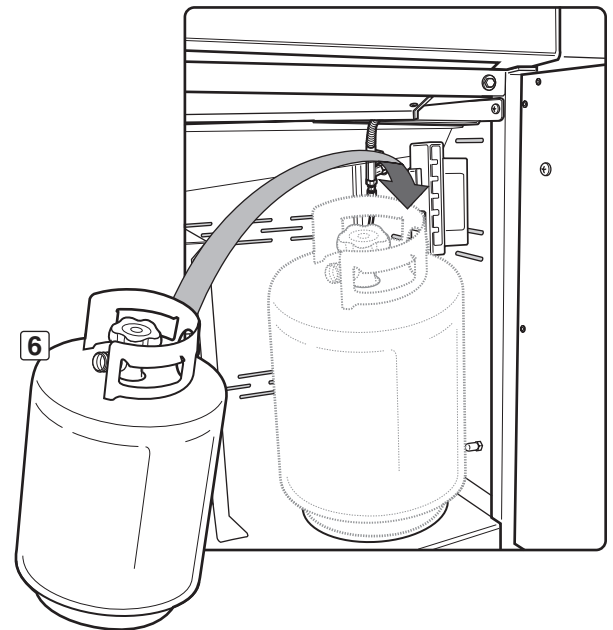
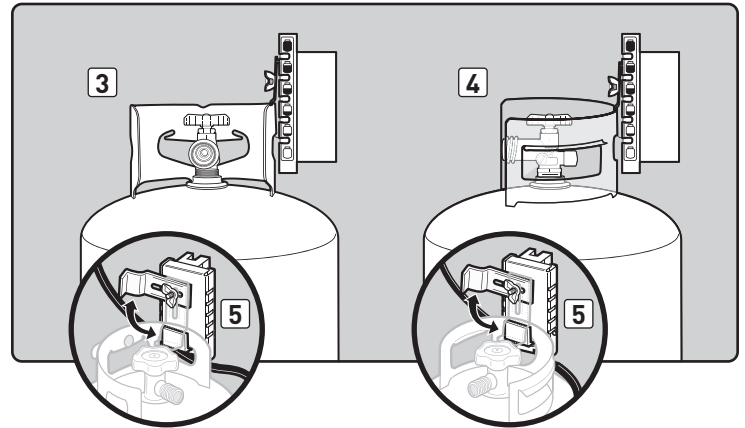
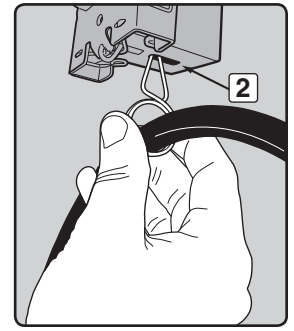
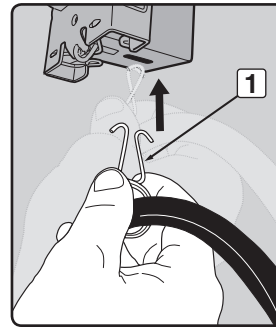
- B) Abra las puertas del gabinete.
C) Afloje la mariposa de seguridad del cilindro. Gire el seguro del cilindro hacia arriba (5).
D) Gire el cilindro de propano licuado de manera que la abertura de la válvula dé de cara al frente o a los lados de la barbacoa de gas WEBER.
E) Levante el tanque a su posición sobre la báscula del tanque (6).
F) Afloje la tuerca de mariposa del seguro del cilindro. Gire el seguro del cilindro hacia abajo. Apriete la tuerca de mariposa.

Conecte la manguera al cilindro

- A) Retire la cubierta antipolvo de plástico de la válvula.
B) Enrosque el cople del regulador a la válvula del tanque, en el sentido de las agujas del reloj o hacia la derecha. Sólo apriete a mano (7).

Nota: Esta conexión se aprieta en dirección de las agujas del reloj y no permitirá que el gas fluya a menos que la conexión esté apretada. La conexión sólo requiere apretarse a mano.

⚠ ADVERTENCIA: No use una llave para apretar la conexión. Si usa una llave, podría dañar el cople del regulador y causar una fuga.



INSTRUCCIONES SOBRE EL GAS

⚠ ADVERTENCIA: Las conexiones de gas de su Barbacoa de Gas SUMMIT han sido probadas en la fábrica. Le recomendamos, sin embargo, que inspeccione todas las conexiones de gas antes de operar la Barbacoa de Gas SUMMIT.

Retire el panel de control

Herramientas requeridas: Destornillador, alicates y toallas.

- Retire las perillas de control de los quemadores (1).
- Abra ambas puertas. Con un destornillador, retire los tornillos de la parte inferior del panel de control (2).
- Levante y retire el compartimiento de la batería situado dentro del gabinete de la barbacoa (3).
- Utilizando pinzas de punta, desconecte los terminales de los cables de la parte superior del compartimiento de la batería. (4). **No tire de los cables; retírelos tirando de los terminales de los cables.**
- Coloque toallas en la parte superior de los ensamblajes de las dos puertas. **Esto protegerá el panel de control y los ensamblajes de las puertas contra rayones en el siguiente paso.**
- Incline la parte inferior del panel de control hacia adelante. Levántelo ligeramente (5) y luego gírelo boca abajo para dejarlo apoyado sobre la parte superior de los ensamblajes de las puertas. **(Tenga cuidado de no romper o desconectar los cables de los LED del panel de control.)**
- Con cuidado, tire de los cables de la batería desde el interior de la cabina de la barbacoa (6).
- Abra completamente la puerta derecha. Coloque el panel de control en el suelo, apoyado contra la toalla que cubre el ensamblaje de la puerta derecha (7). ♦

DETECCIÓN DE FUGAS DE GAS

⚠ PELIGRO

No utilice una llama abierta para comprobar si existen fugas de gas. Asegúrese de que no haya chispas o llamas abiertas en el área mientras comprueba si existen fugas. Chispas o llamas causarían un fuego o explosión, las cuales pueden causar graves lesiones corporales o la muerte, y daños materiales.

Nota: Todas las conexiones hechas en la fábrica han sido revisadas a fondo para asegurar que no existan fugas. Los quemadores han sido probados con las llamas encendidas. Como medida de precaución, sin embargo, usted deberá de volver a revisar todas las conexiones en busca de fugas antes de utilizar su barbacoa de gas WEBER. Durante el manejo y despacho puede haberse aflojado o dañado alguna conexión de gas.

⚠ ADVERTENCIA: Las conexiones de gas de su barbacoa de gas han sido probadas en la fábrica. Le recomendamos que inspeccione todas las conexiones de gas antes de operar la barbacoa de gas.

⚠ ADVERTENCIA: Lleve a cabo estos chequeos de fugas aun y cuando su barbacoa haya sido ensamblada por el distribuidor o en la tienda donde la compró.

Si la barbacoa cuenta con un quemador lateral, asegúrese de que éste esté apagado.

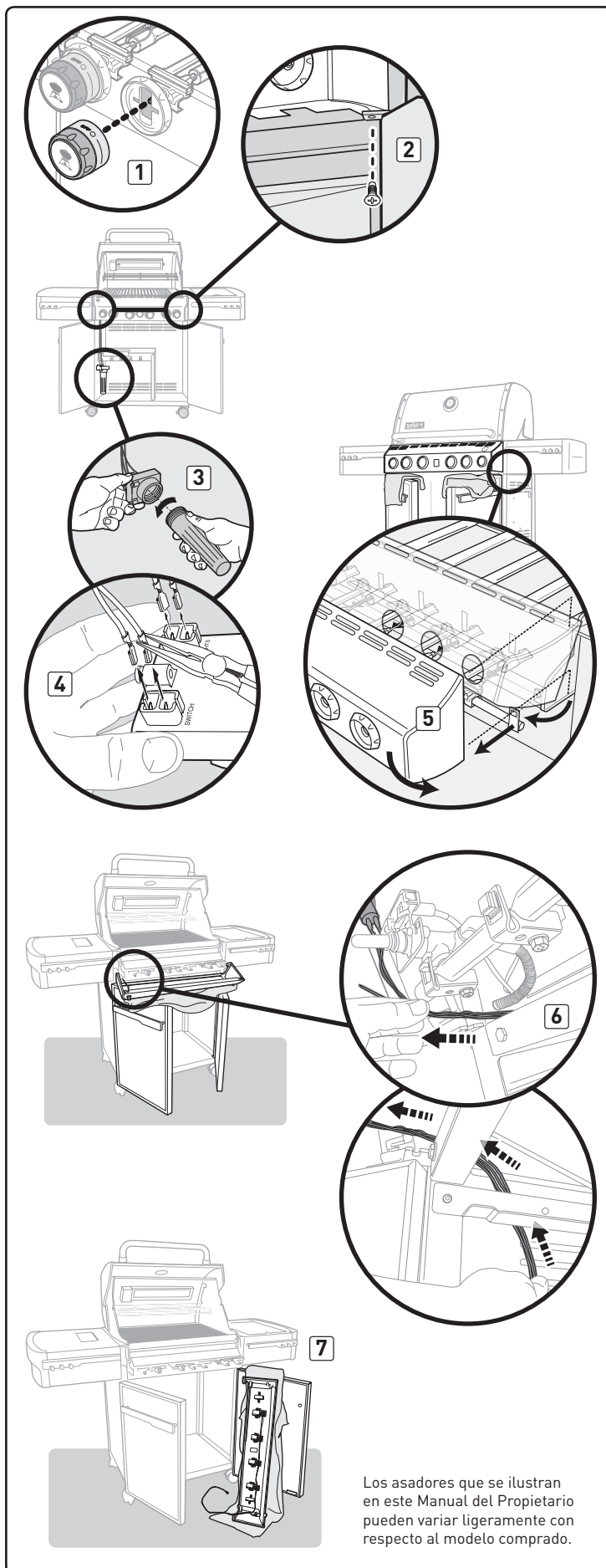
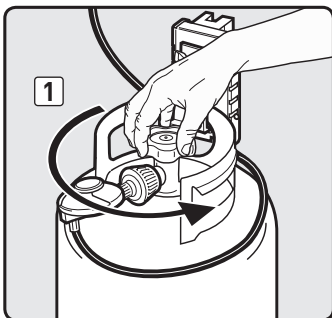
Abra el suministro de gas en la fuente del mismo.

⚠ ADVERTENCIA: No encienda los quemadores mientras esté verificando la existencia de fugas.

Usted necesitará: una solución de agua y jabón y un trapo o una brocha para aplicarla.

- Mezcle agua y jabón.
- Abra el suministro de gas (1).
- Compruebe la existencia de fugas mojando las conexiones con la solución de agua y jabón y viendo si se generan burbujas. Si se forman burbujas, o si una burbuja crece, es que hay una fuga.

Si hay una fuga, cierre el gas y apriete la conexión. Abra el gas de nuevo y con la solución de jabón y agua vuelva a verificar que no existan fugas. Si la fuga no cesa no utilice la barbacoa. Contacte al Representante de Servicios al Cliente en su área utilizando la información de contacto en nuestro sitio web. Conéctese a www.weber.com.



Los asadores que se ilustran en este Manual del Propietario pueden variar ligeramente con respecto al modelo comprado.

INSTRUCCIONES SOBRE EL GAS

- D) Cuando se haya completado la comprobación de las fugas de gas, cierre el suministro de gas en la fuente y lave las conexiones con agua.

Nota: Dado que algunas soluciones para la detección de fugas, incluyendo el agua y jabón, pueden ser ligeramente corrosivas, todas las conexiones deberán enjuagarse con agua después de realizar la comprobación de las fugas.

- ⚠ **ADVERTENCIA:** Cada vez que conecte o desconecte una conexión de gas, deberá verificar que no hayan fugas de gas.

Verifique

- A) La conexión de la línea de gas principal al múltiple (1).
B) La conexión de la línea de gas al quemador del asador giratorio (quemador infrarrojo) (2).
C) La conexión de la manguera de suministro de gas al pasamuros (3).
D) La conexión de la manguera del quemador lateral al pasamuros (4).

- ⚠ **ADVERTENCIA:** Si hay una fuga en la conexión (1, 2, 3, o 4), vuelva a apretar la conexión con una llave y vuelva a verificar con la solución de agua y jabón. Si una fuga persiste aun después de volver a apretar la conexión, cierre el gas. **NO OPERE LA BARBACOA.** Contacte al Representante de Atención al Cliente usando la información de contacto en nuestro sitio en la Internet. Conéctese a www.weber.com.

- E) La conexión de la manguera del quemador lateral a las conexiones del desconectador rápido, de la válvula del quemador lateral y de los orificios (5).
F) La conexión de la manguera al regulador (6).
G) La conexión del regulador al cilindro (7).
H) Las conexiones de las válvulas al múltiple (8).

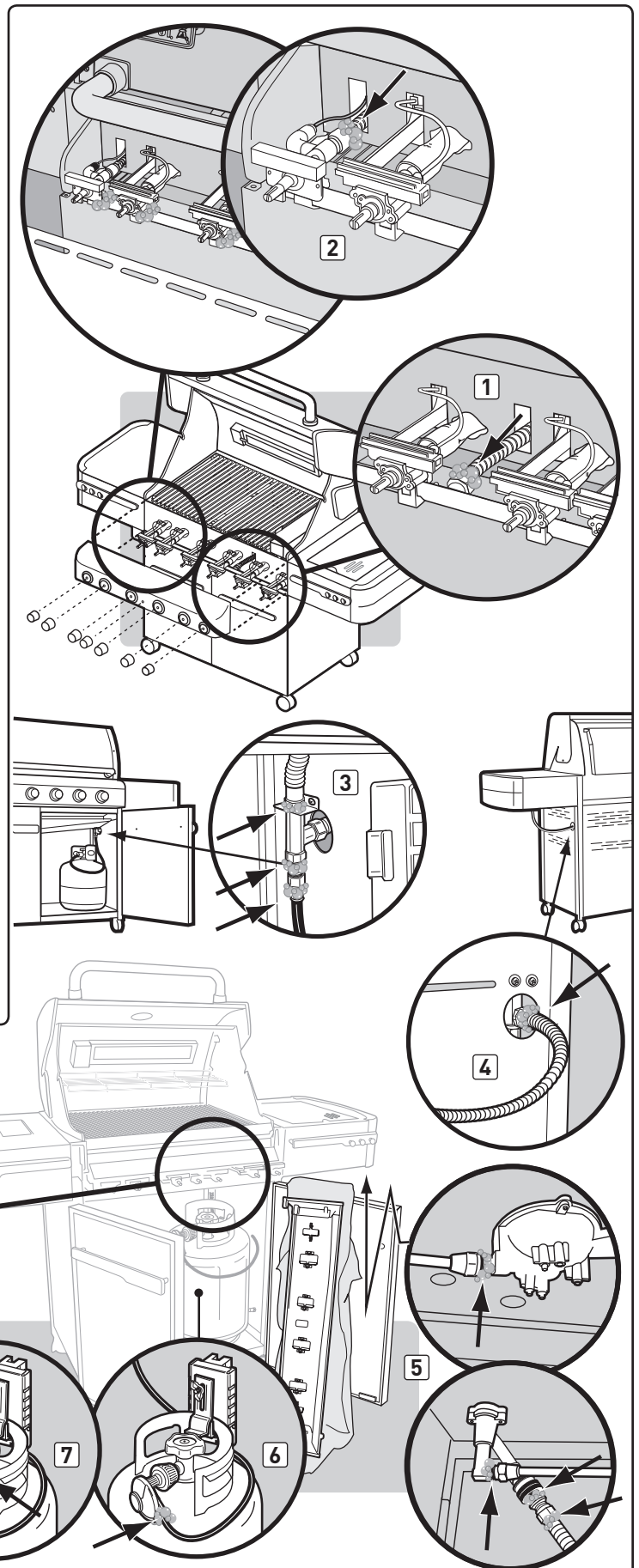
- ⚠ **ADVERTENCIA:** Si hubiese una fuga en las conexiones (5, 6, 7, o 8), CIERRE el gas. **NO OPERE LA BARBACOA.** Contacte al Representante de Atención al Cliente usando la información de contacto en nuestro sitio en la Internet. Conéctese a www.weber.com.

Cuando se haya completado la detección de fugas de gas, cierre el suministro de gas en la fuente y lave las conexiones con agua.

Vuelva a instalar el panel de control

- A) Para volver a instalar el conjunto del panel de control, invierta los pasos para "Retire el panel de control," como se ha descrito previamente.
B) Verifique que las conexiones de los cables sean correctas. Consulte "ILUMINACIÓN."

- ⚠ **ADVERTENCIA:** Asegúrese de que todas las piezas estén ensambladas y que todos los herrajes estén completamente apretados antes de operar la barbacoa. Si no llegase a acatar esta advertencia, sus acciones podrían causar un fuego, una explosión o una falla estructural que podrían resultar en lesiones corporales graves o la muerte o daños materiales. ♦



Los asadores que se ilustran en este Manual del Propietario pueden variar ligeramente con respecto al modelo comprado.

INSTRUCCIONES SOBRE EL GAS

CÓMO RECARGAR EL CILINDRO DE PROPANO LICUADO

Le recomendamos que llene su cilindro de gas propano licuado antes de que éste se vacíe por completo.

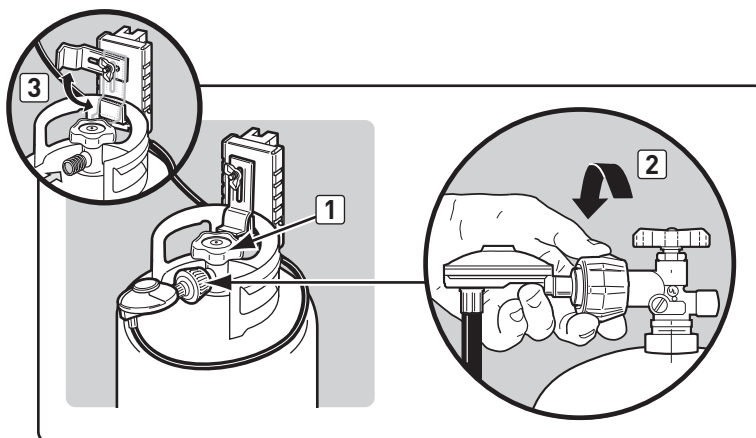
Cómo retirar el cilindro de gas propano licuado.

- A) Cierre la válvula del tanque (gire en el sentido de las agujas del reloj) **(1)**.
- B) Desenrosque el cople del regulador girándolo, solamente a mano, en sentido contrario a las agujas del reloj **(2)**.
- C) Afloje la tuerca de mariposa del seguro del cilindro y voltee el seguro hacia arriba para que no moleste **(3)**.
- D) Levante el cilindro del soporte.

Para llenar un cilindro de gas propano, llévalo a un expendedor de gas propano, o busque a otros suplidores bajo "gas propano" en el directorio telefónico.

⚠ ADVERTENCIA: Recomendamos llenar su cilindro de gas propano licuado con un distribuidor de gas propano autorizado que tenga un encargado debidamente calificado y que llene el tanque en base a peso. EL LLENADO INCORRECTO ES PELIGROSO.

⚠ PRECAUCIÓN: Siempre que el cilindro esté sin usarse, coloque la capucha antipolvo sobre la salida de la válvula del mismo. Sólo instale sobre la salida de la válvula el tipo de capucha antipolvo con la que vino provista la misma. Otros tipos de capuchas o tapones pudieran causar fugas de propano. ♦

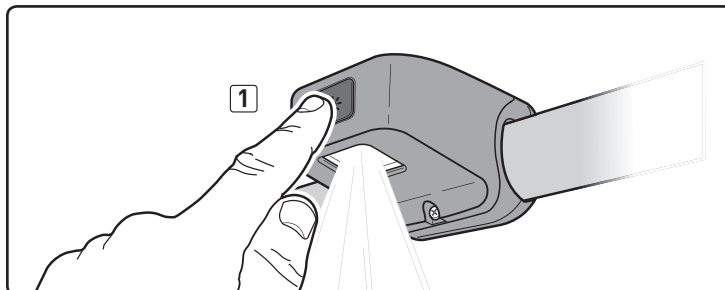


FUNCIONES DE LUZ

USO DE LA LÁMPARA PARA BARBACOA

Pulse el botón ENCENDER para activar la lámpara para barbacoa. La lámpara dispone de un sensor de inclinación que hará que ésta se encienda cuando se abra la tapa de la barbacoa y que se apague al cerrarla. Si la tapa se deja abierta o cerrada más de 30 minutos, la lámpara se desactivará. Para volver a encender la lámpara, pulse el botón ENCENDER **(1)**.

NOTA: la lámpara NO SE APAGA al pulsar el botón ENCENDER. ♦

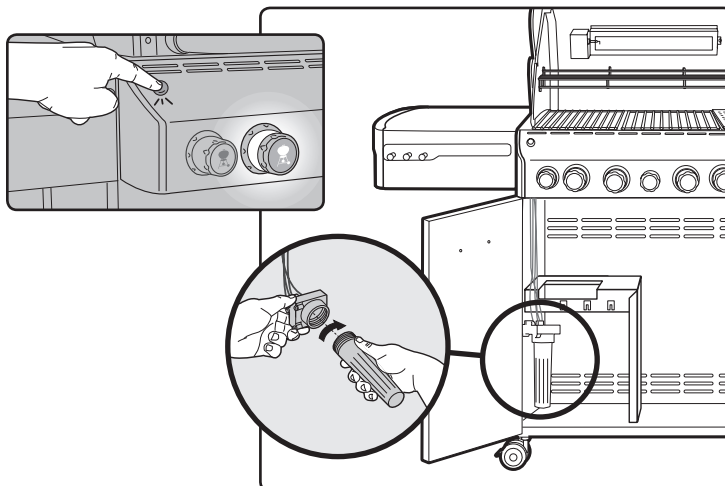


PERILLAS DE CONTROL ILUMINADAS

La barbacoa de gas viene con perillas de control que se iluminan; ello te permite ajustar finamente el calor, incluso bajo condiciones de poca luz.

Requiere tres baterías alcalinas "D." No mezcle baterías nuevas con viejas o diferentes tipos de baterías entre sí (normales, alcalinas, o recargables). El compartimiento de las baterías está ubicado dentro del gabinete en el lado izquierdo.

Para operarlas, active el botón de encendido. ♦



ANTES DE UTILIZAR LA BARBACOA

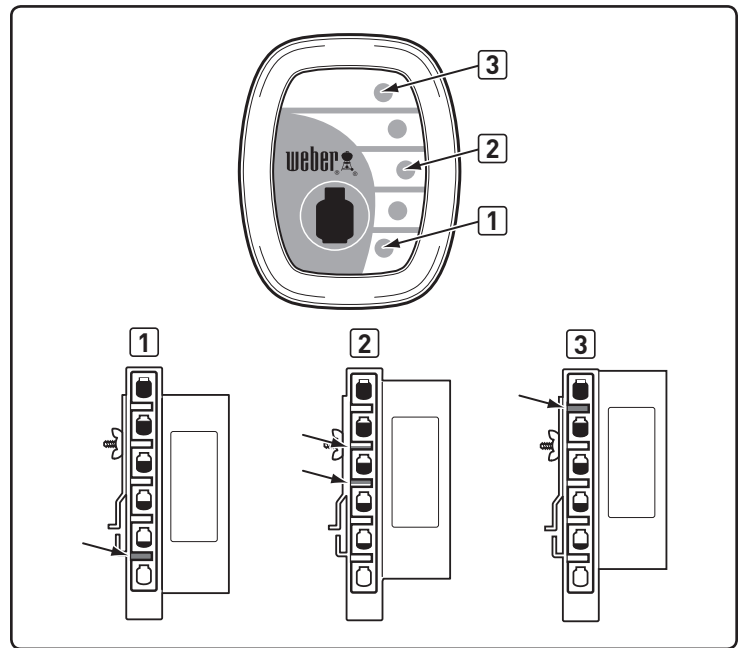
NIVEL DE COMBUSTIBLE

Existen dos maneras de verificar el nivel de combustible en el tanque: electrónica y manualmente.

Para verificar el nivel mediante la báscula electrónica del tanque, pulse el botón de la báscula del tanque, ubicado a la derecha del panel de control, durante dos-tres segundos. La lámpara LED indica el nivel de combustible en el tanque.

Para verificar el nivel utilizando la báscula manual del tanque, vea la línea de color indicadora de nivel, ubicada al lado de la báscula del tanque.

- A) Vacío [1]
- B) Medio [2]
- C) Lleno [3] ◆



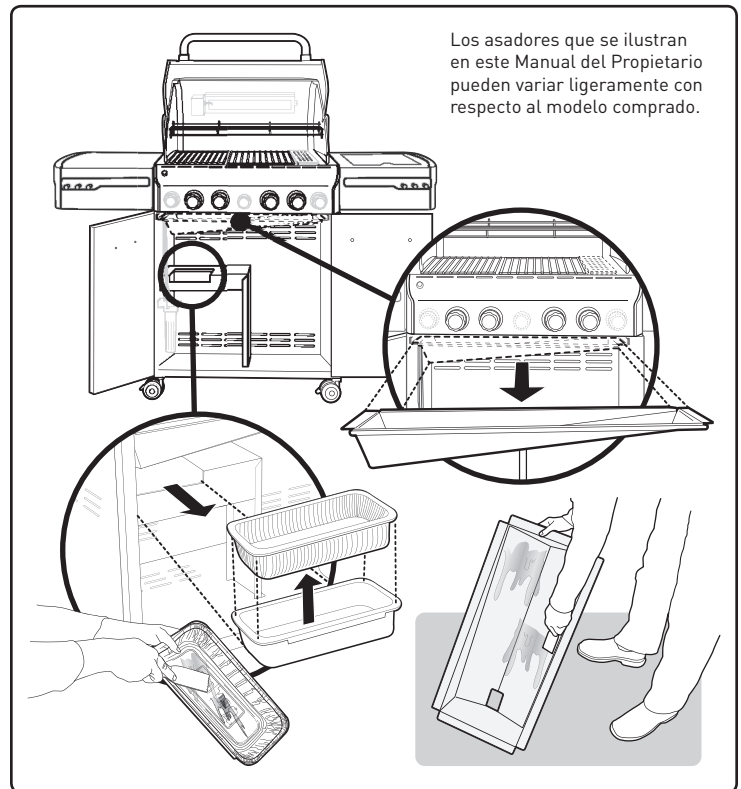
BANDEJA CORREDIZA RECOLECTORA DE GRASA Y BANDEJA DE GOTEO DESECHABLE

La barbacoa lleva incorporada un sistema de captación de grasa. Cada vez que vaya utilizar la barbacoa, revise la bandeja corrediza recolectora de grasa y la bandeja de goteo desechable para cerciorarse de que no se haya acumulado grasa en las mismas.

Retire el exceso de grasa con una espátula plástica; vea a la ilustración. Cuando sea necesario, lave la bandeja corrediza recolectora de grasa y la bandeja de goteo desechable con una solución de agua y jabón, y luego enjuáguelas con agua limpia. Reemplace la bandeja de goteo desechable en la medida que sea necesario.

⚠ **ADVERTENCIA:** Cada vez que vaya utilizar la barbacoa, revise la bandeja corrediza recolectora de grasa y la bandeja de goteo desechable para cerciorarse de que no se haya acumulado grasa en las mismas. Retire cualquier exceso de grasa para evitar un incendio de grasa. Un incendio de grasa puede causar lesiones corporales graves o daños materiales.

⚠ **PRECAUCIÓN:** No forre la bandeja corrediza recolectora de grasa con hoja de aluminio. ◆



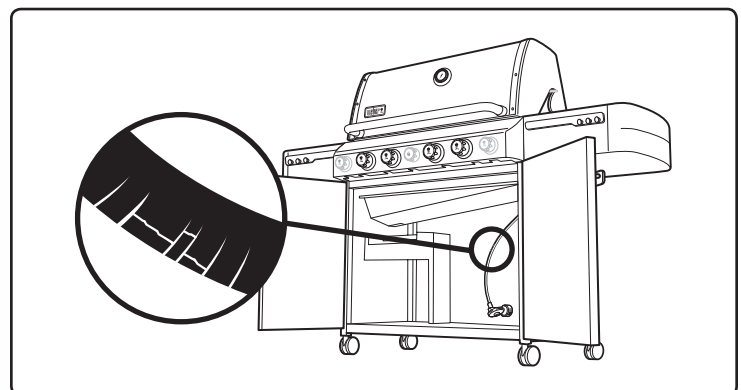
Los asadores que se ilustran en este Manual del Propietario pueden variar ligeramente con respecto al modelo comprado.

INSPECCIÓN DE LA MANGUERA

Se deberá inspeccionar la manguera para ver si tiene alguna señal de agrietamiento.

⚠ **ADVERTENCIA:** Inspeccione la manguera previo a cada uso de la barbacoa y asegúrese de que no tenga muescas, grietas, abrasiones o cortes. Si se encontrase que la manguera estuviese dañada de cualquier manera, no utilice la barbacoa. Reemplácela solamente con una manguera de repuesto autorizada por WEBER. Contacte al Representante de Servicios al Cliente en su área utilizando la información de contacto en nuestro sitio web.

Conéctese a www.weber.com. ◆

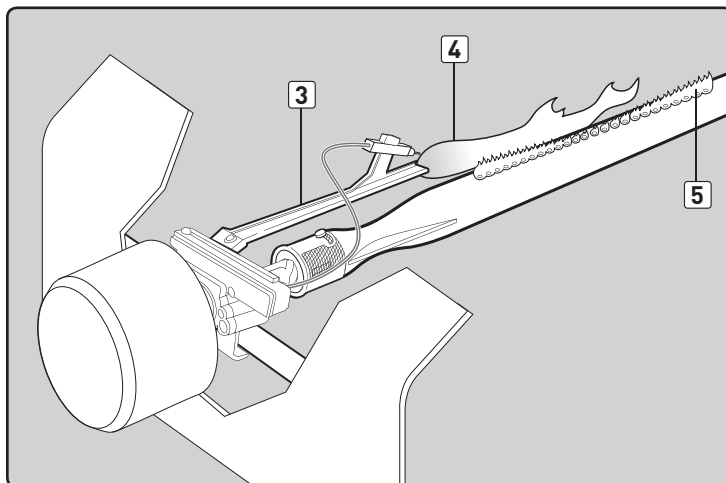
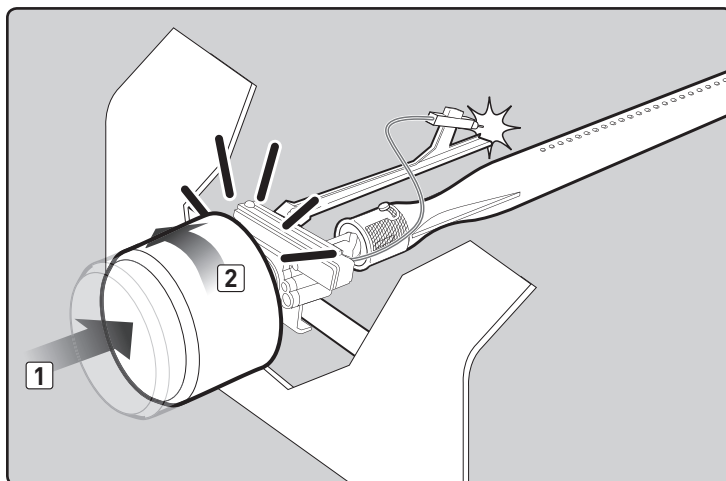


OPERACIÓN DE ENCENDIDO POR CHASQUIDO

⚠ Siempre abra la tapa antes encender los quemadores.

- A) Cada perilla de control tiene su propio electrodo de encendido incorporado a ella. Para generar una chispa, debe presionar la perilla de encendido/fuego alto (1) y girarla a encendido/fuego alto (2).
- B) Esta acción generará un flujo de gas y una chispa al tubo de encendido del quemador (3). Oirá un "chasquido" proveniente del encendedor. También verá una llama anaranjada de 3" - 5" de largo proveniente del tubo encendedor del quemador (4).
- C) **Mantenga presionada la perilla de control durante dos segundos adicionales después del "chasquido."** Esto permitirá que el gas fluya a todo lo largo del tubo quemador (5) y se asegure el encendido.
- D) Verifique que el quemador esté encendido viendo a través de las parrillas de cocción. Deberá ver una llama. Si el encendedor no se enciende al primer intento, presione la perilla de control y gírela a la posición APAGADA y repita el procedimiento una segunda vez.

⚠ **ADVERTENCIA: Si el quemador no se enciende, gire la perilla del control del quemador a la posición APAGADO y espere cinco minutos para permitir que el gas se disipe antes de tratar de nuevo o de tratar de encenderlo con un cerillo. ♦**



ENCENDIDO Y USO DEL QUEMADOR PRINCIPAL

ENCENDIDO DEL QUEMADOR PRINCIPAL

Dentro del puerta izquierda del gabinete se encuentran las instrucciones resumidas de encendido.

⚠ PELIGRO

El no abrir la tapa mientras se esté encendiendo el quemador de la barbacoa, o no esperar cinco minutos para que el gas se disipe si la barbacoa no se enciende, puede resultar en una llamarada explosiva, la cual puede causar lesiones corporales serias o la muerte.

Encendido Rápido del Quemador Principal

Nota: Cada perilla de control de encendido rápido crea una chispa que va del electrodo de encendido al tubo quemador de encendido. Al presionar la perilla de control y girarla a encendido/fuego alto, usted genera la energía para la chispa. Esto encenderá cada quemador individual.

⚠ **ADVERTENCIA:** Inspeccione la manguera previo a cada uso de la barbacoa y asegúrese de que no tenga muescas, grietas, abrasiones o cortes. Si se encontrase que la manguera estuviese dañada de cualquier manera, no utilice la barbacoa. Reemplácela solamente con una manguera de repuesto autorizada por WEBER. Contacte al Representante de Servicios al Cliente en su área utilizando la información de contacto en nuestro sitio web. Conéctese a www.weber.com.

- A) Abra la tapa (1).
- B) Asegúrese de que todas las perillas de control de los quemadores estén cerradas (2). (Presione la perilla de control y gírela en dirección de las agujas del reloj para asegurarse de que esté en la posición APAGADA.)

⚠ **ADVERTENCIA:** Las perillas de control de los quemadores deberán estar en la posición APAGADO antes de abrir la válvula del tanque de propano licuado. Si no lo estuviesen, cuando abra la válvula del tanque de propano licuado se activará el control de exceso de flujo y limitará el flujo de gas desde el tanque de propano licuado. Si esto llegase a ocurrir, cierre la válvula del tanque de propano y las perillas de control de los quemadores y empiece de nuevo. Luego comience de nuevo.

⚠ PELIGRO

Cuando se activa el control de exceso de flujo, una pequeña cantidad de gas sigue fluyendo a los quemadores. Después de cerrar la válvula del tanque y las perillas de control de los quemadores, espere por lo menos cinco minutos para que el gas se disipe antes de tratar de encender la barbacoa. El no hacer esto podría resultar en una llamarada explosiva que pudiera causar lesiones corporales serias o la muerte.

- C) Para activar el tanque LP, gire lentamente la válvula del tanque en contra de las manecillas del reloj y espere 60 segundos (3).

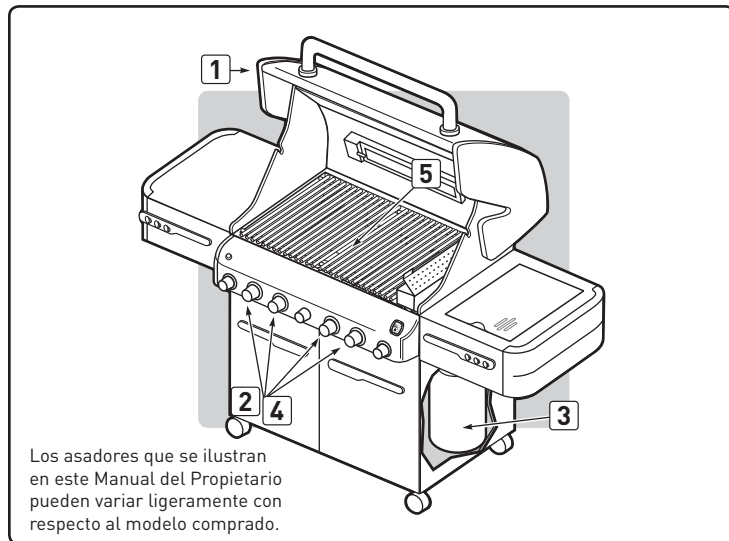
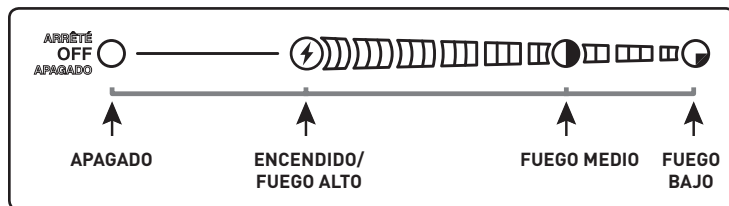
⚠ **ADVERTENCIA:** No se incline sobre la barbacoa abierta.

- D) Presione la perilla de control y gírela hacia encendido/fuego alto hasta que oiga el chasquido del encendedor (4); mantenga a la perilla de control en dicha posición durante dos segundos. Esta acción hará que el encendedor genere una chispa y encienda el tubo piloto y luego el quemador principal.
- E) Verifique que el quemador esté encendido viendo a través de las parrillas de cocción (5). Deberá ver una llama. Si el encendedor no se enciende al primer intento, presione la perilla de control y gírela a la posición APAGADO y repita el procedimiento una segunda vez.

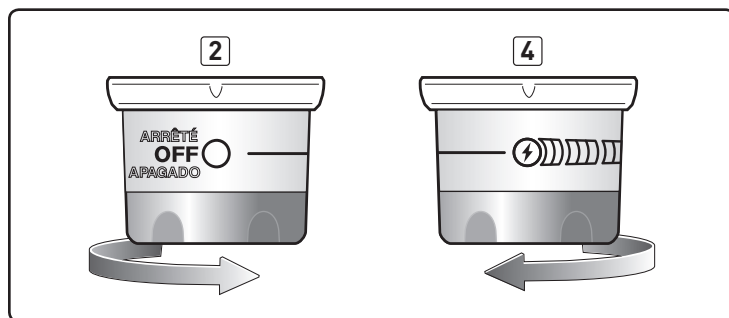
⚠ **ADVERTENCIA:** Si el quemador no se enciende, gire la perilla del control del quemador a la posición apagado y espere cinco minutos para permitir que el gas se disipe antes de tratar de nuevo o de tratar de encenderlo con un cerillo. ♦

PARA APAGAR

Presione y gire la perilla de control de cada quemador en dirección de las agujas del reloj a la posición APAGADO. Cierre el suministro de gas en la fuente del mismo. ♦



Los asadores que se ilustran en este Manual del Propietario pueden variar ligeramente con respecto al modelo comprado.



ENCENDIDO Y USO DEL QUEMADOR PRINCIPAL

ENCENDIDO MANUAL DEL QUEMADOR PRINCIPAL

⚠ PELIGRO

El no abrir la tapa mientras se esté encendiendo el quemador de la barbacoa, o no esperar cinco minutos para que el gas se disipe si la barbacoa no se enciende, puede resultar en una llamarada explosiva, la cual puede causar lesiones corporales serias o la muerte.

- A) Abra la tapa (1).
- B) Asegúrese de que todas las perillas de control de los quemadores estén cerradas (2). (Presione cada perilla hacia abajo y gírela en dirección de las agujas del reloj para asegurarse de que estén cerradas en la posición APAGADO.)

⚠ **ADVERTENCIA:** Las perillas de control de los quemadores deberán estar en la posición APAGADO antes de abrir la válvula del tanque de propano licuado. Si no lo estuviesen, cuando abra la válvula del tanque de propano licuado se activará el control de exceso de flujo y limitará el flujo de gas desde el tanque de propano líquido y limitará el flujo de gas desde el tanque de propano líquido y las perillas de control de los quemadores. Luego empiece de nuevo.

⚠ PELIGRO

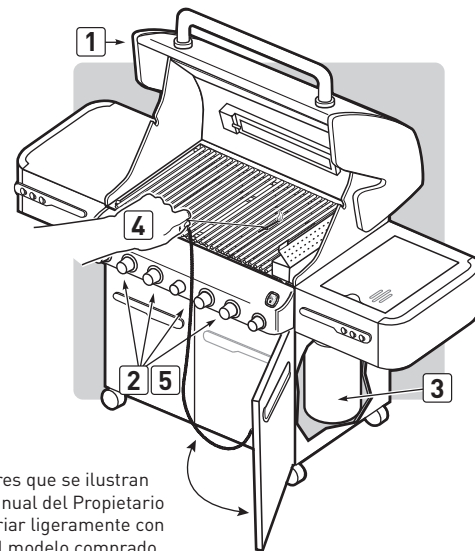
Cuando se activa el control de exceso de flujo, una pequeña cantidad de gas sigue fluyendo a los quemadores. Después de cerrar la válvula del tanque y las perillas de control de los quemadores, espere por lo menos cinco minutos para que el gas se disipe antes de tratar de encender la barbacoa. El no hacer esto podría resultar en una llamarada explosiva que pudiera causar lesiones corporales serias o la muerte.

- C) Para activar el tanque LP, gire lentamente la válvula del tanque en contra de las manecillas del reloj y espere 60 segundos (3).
- D) Coloque el cerillo en el portacerillos y enciéndalo.
- E) Inserte el portacerillos con el cerillo encendido a través de las parrillas de cocción y de las barras FLAVORIZER para encender el quemador seleccionado (4).
- F) Presione la perilla de control del quemador y gírela hacia encendido/fuego alto (5).
- G) Verifique que el quemador esté encendido viendo a través de las parrillas de cocción (6). Deberá ver una llama.

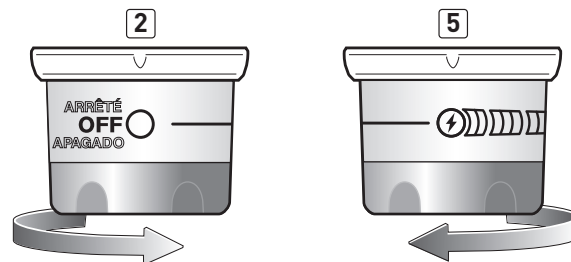
⚠ **ADVERTENCIA:** Si el quemador no se enciende, gire la perilla del control del quemador a la posición APAGADO y espere cinco minutos para permitir que el gas se disipe antes de tratar de nuevo. ♦

PARA APAGAR

Presione y gire la perilla de control de cada quemador en el sentido de las agujas del reloj a la posición APAGADO. Cierre el suministro de gas en la fuente. ♦



Los asadores que se ilustran en este Manual del Propietario pueden variar ligeramente con respecto al modelo comprado.



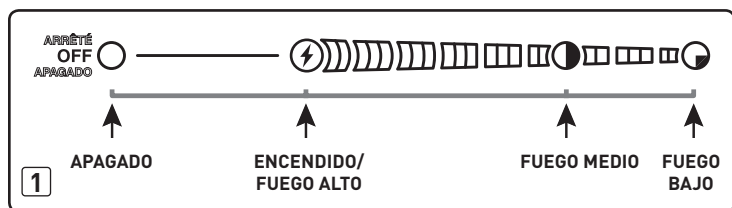
CONSEJOS PRÁCTICOS PARA ASAR

- Siempre precaliente la barbacoa antes de cocinar en la misma. Ajuste todos los quemadores a la posición llama alta y cierre la tapa, caliente durante 10 minutos, o hasta que el termómetro marque 500° – 550° F (260° – 288° C).
- Para alimentos siempre perfectamente asadas, dore la carnes y cocine con la tapa cerrada.
- Los tiempos de asado en las recetas son en base a una temperatura ambiental de 70° F (20° C) y poco o ningún viento. Permita un mayor tiempo de cocción en días fríos o de viento, o a mayores altitudes. Permita menos tiempo de cocción en climas extremadamente calurosos.
- Los tiempos pueden variar a causa del clima, o la cantidad, tamaño, y forma de los alimentos asados.
- La temperatura de operación de la barbacoa de gas podría ser más caliente de lo normal durante los primeros usos.
- Las condiciones de asado pueden requerir el ajuste de los controles de los quemadores para obtener las temperaturas de cocción correctas.
- Por lo general, las piezas de carne más grandes requerirán mayor tiempo de cocción por libra que las piezas más chicas. Los alimentos abarrotados sobre una parrilla de cocción requerirán de más tiempo de cocción que sólo unos pocos alimentos. Los alimentos asados dentro de recipientes, tales como judías en salsa de tomate, tomarán más tiempo si se cocinan en una cacerola profunda que en una olla llana.
- Recorte el exceso de grasa de los bistecs, chuletas, y asados, dejando apenas ¼ de pulgada (6.4 mm) de grasa. Menos grasa facilita la limpieza, y es una garantía casi absoluta contra las indeseadas llamaradas.
- Los alimentos colocados sobre la parrilla de cocción directamente encima de los quemadores pudieran requerir que se les dé la vuelta o que se les mueva a un área menos caliente.
- Use tenacillas en vez de un tenedor para dar vuelta y manipular las carnes para así evitar perder los jugos naturales. Use dos espátulas para manipular un pescado entero grande.
- Si llegase a ocurrir alguna llamarada indeseada, apague todos los quemadores y mueva los alimentos a otra zona de la parrilla de cocción. Cualquier llama se apagará rápidamente. Una vez que las llamas se apaguen, vuelva a encender la parrilla. JAMÁS USE AGUA PARA EXTINGUIR LAS LLAMAS EN UNA PARRILLA DE GAS.
- Algunos alimentos, tales como los guisos o los filetes delgados de pescado, requerirán de un recipiente para asarlos. Las ollas desechables de lámina son muy convenientes, pero puede usarse cualquier olla de metal con asas resistentes al calor.
- Asegúrese siempre de que la bandeja corrediza recolectora de grasa y el plato recolector estén limpios y libres de desechos.
- No forre la bandeja corrediza recolectora de grasa con papel aluminio. Ello podría prevenir que la grasa fluya al plato recolector.
- El usar un temporizador le ayudará a alertarle cuando "bien cocido" esté a punto de convertirse en "sobre cocido." ♦

PRECALENTADO

La barbacoa de gas WEBER es un artefacto que utiliza la energía eficientemente. La misma opera a una baja tasa de consumo calorífico. Es importante precalentar la barbacoa antes de asar. Encienda su Barbacoa de Gas SUMMIT de acuerdo con las instrucciones en este Guía del Propietario. Para precalentar: tras encender, gire los quemadores a la posición encendido/fuego alto, cierre la tapa, y caliente hasta que la temperatura alcance entre 500° y 550° F (260° y 290°C), la temperatura recomendada para asar. Esto tomará entre 10 y 15 minutos, dependiendo de tales condiciones como la temperatura del aire y el viento.

Puede ajustar los quemadores individuales a su gusto. Los ajustes de control son APAGADO, ENCENDER/FUEGO ALTO, FUEGO MEDIO, y FUEGO BAJO (1).



Nota: Las condiciones bajo las que se esté cocinando, tales como el viento y el tiempo, pueden hacer que se requieran ajustes a los controles de los quemadores para obtener las temperaturas de cocción correctas.

Nota: Si la barbacoa pierde calor mientras se está cocinando, refiérase a la sección de resolución de problemas de este manual.

⚠ ADVERTENCIA: No mueva la barbacoa de gas WEBER mientras esté en operación o esté caliente.

Si los quemadores se apagan durante la cocción, apague todos los quemadores y espere cinco minutos antes de volver a encender. ♦

COCCIÓN CUBIERTA

Todo asado deberá realizarse con la tapa cerrada para proporcionar un calor uniforme y con una circulación pareja. Con la tapa cerrada, la Barbacoa de Gas SUMMIT cocinará de manera muy parecida a un horno de convección. El termómetro en la tapa indica la temperatura de cocción dentro de la barbacoa. Todo precalentamiento y cocción se realiza con la tapa cerrada. Nada de miraditas—se pierde calor cada vez que usted abre la tapa. ♦

PRINGUES Y GRASA

Las barras del FLAVORIZER han sido diseñadas para "ahumar" la cantidad correcta de pringues y así obtener una cocción con bastante sazón. Los jugos de cocción y el exceso de grasa se acumularán en el plato recolector debajo de la bandeja corrediza recolectora de grasa. Hay disponibles bandejas de goteo desechables que caben en el plato recolector.

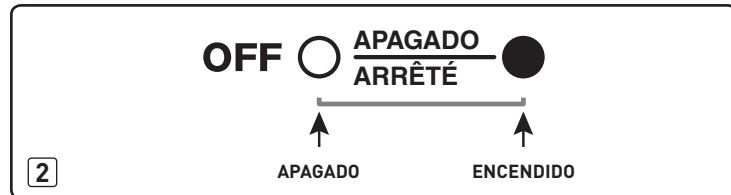
⚠ ADVERTENCIA: Antes de cada uso, revise que no haya grasa acumulada en la bandeja corrediza recolectora de grasa y en el plato recolector. Retire el exceso de grasa para evitar que ésta se incendie en la bandeja corrediza recolectora de grasa. ♦

EL SISTEMA FLAVORIZER

Cuando los jugos de carne chorrean de la comida a las barras FLAVORIZER colocadas a un ángulo especial, estas crean un humo que le da a la comida una sazón a barbacoa irresistible. Gracias al diseño único de los quemadores, las barras FLAVORIZER y los flexibles controles de temperatura, los fogonazos descontrolados han sido virtualmente eliminados, pues USTED controla las llamas. Debido al diseño especial de las barras FLAVORIZER y de los quemadores, las grasas en exceso son dirigidas a través de la bandeja corrediza recolectora de grasa al plato recolector. ♦

ESTACIÓN DE DORADO SEAR STATION

Su barbacoa WEBER podría incluir un quemador para dorar carnes y pescados de poco espesor. El quemador de la estación de dorado SEAR STATION tiene un ajuste de control OFF, START/HI o LOW (2) que funciona en conjunto con los dos quemadores principales adyacentes. Con el quemador para dorar y los quemadores adyacentes, puede dorar las carnes de manera efectiva mientras usa las demás áreas de cocción para cocinar bajo calor moderado (consulte la sección "ENCENDIDO Y USO DE LA ESTACIÓN DE DORADO SEAR STATION"). ♦



MÉTODOS DE COCCIÓN

Lo más importante que hay que saber acerca de asar es cual método de cocción usar para un alimento específico, el método directo o indirecto. La diferencia es sencilla: colocar los alimentos directamente sobre el fuego, o encender el fuego a cada lado de ellos. Usar el método correcto es la ruta más corta a resultados fabulosos—y la mejor manera de garantizar la seguridad de que esté bien cocido. ♦

COCCIÓN DIRECTA

El método directo, similar al asado, significa que los alimentos se cocinan directamente sobre la fuente de calor. Para una cocción pareja, los alimentos deberán voltearse una vez a la mitad del tiempo de asado. Use el método directo para alimentos que toman menos de 25 minutos en asarse: bistecs, chuletas, brochetas, salchichas, vegetales, y más.

La cocción directa también es necesaria para dorar las carnes. La doradura crea esa fabulosa textura crujiente y caramelizada donde el alimento toca la parrilla. También le da un gran color y sazón a toda la superficie. Los bistecs, chuletas, pechugas de pollo, y los cortes mayores de carne todos se benefician de la doradura.

Para dorar las carnes, colóquelas sobre fuego alto directo durante dos a cinco minutos por lado. Las piezas menores requieren menos tiempo de doradura. Normalmente después de dorar se termina de asar los alimentos a una temperatura más baja. Puede asar aquellos alimentos que se cocinan rápido usando el método directo; utilice el método indirecto para los alimentos que tardan más en asarse.

Para poner a punto la parrilla para la cocción directa, precaliéntela con todos los quemadores en fuego alto. Coloque los alimentos sobre la parrilla de cocción y luego ajuste todos los quemadores a la temperatura indicada en la receta. Cierre la tapa de la barbacoa y levántela solamente para darle vuelta a los alimentos o comprobar cuán bien hecha está al final del tiempo recomendado de cocción. ♦

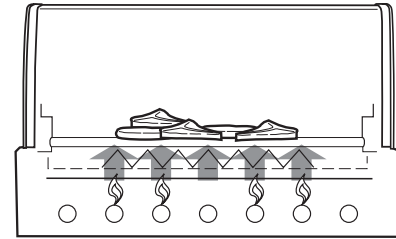
COCCIÓN INDIRECTA

El método indirecto es similar al asado, pero con el beneficio adicional de esa textura, sazón, y apariencia de la comida a la parrilla que no se puede obtener en un horno. Para preparar la barbacoa para la cocción indirecta, se encienden los quemadores a cada lado de los alimentos pero no aquellos directamente debajo de ellos. El calor asciende, se refleja de la tapa y de las superficies internas de la parrilla, y circula para cocinar lentamente los alimentos de manera pareja por todos los lados, en forma muy similar a un horno de convección, por lo que no hay necesidad de voltearlos.

Utilice el método indirecto para los alimentos que requieran 25 minutos o más de tiempo de asado o que son tan delicados que la exposición directa a la llama los secaría o quemaría. Los ejemplos incluyen asados, costillas, pollos enteros, pavos, y otros cortes grandes de carne al igual que filetes delicados de pescado.

Para preparar la barbacoa de gas para la cocción indirecta, precaliéntela con todos los quemadores en FUEGO ALTO. Luego ajuste los quemadores de cada lado de los alimentos a la temperatura indicada en la receta y apague el (los) quemador(es) directamente debajo de ellos. Para los mejores resultados, coloque los asados, aves, o cortes grandes de carne sobre una rejilla de asar colocada dentro de una bandeja desechable de lámina gruesa. Para tiempos de cocción más largos, agregue agua a la bandeja de lámina para evitar que el chorreo de grasa se queme. El chorreo de grasa puede usarse para hacer salsa. ♦

4 QUEMADORES

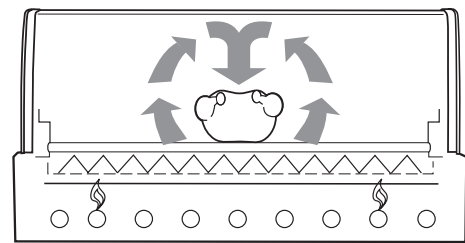


1 2 3 4
H H H H

MÉTODO DIRECTO

Los alimentos se colocan en el área de las parrillas de cocción directamente encima de los quemadores encendidos.

6 QUEMADORES



1 2 3 4 5 6
M M M M M M

MÉTODO INDIRECTO

Los alimentos se colocan en el área de las parrillas de cocción entre los quemadores indirectos.

ENCENDIDO Y USO DEL QUEMADOR LATERAL

ENCENDIDO DEL QUEMADOR LATERAL

Dentro del puerta izquierda del gabinete se encuentran las instrucciones resumidas de encendido.

⚠ PELIGRO

El no abrir la tapa mientras se esté encendiendo el quemador lateral, o no esperar cinco minutos para que el gas se disipe si el quemador lateral no se enciende, puede resultar en una llamarada explosiva, la cual puede causar lesiones corporales serias o la muerte.

- ⚠ **ADVERTENCIA:** Inspeccione la manguera previo a cada uso de la barbacoa y asegúrese de que no tenga muescas, grietas, abrasiones o cortes. Si se encontrase que la manguera estuviese dañada de cualquier manera, no utilice la barbacoa. Reemplácela solamente con una manguera de repuesto autorizada por WEBER. Contacte al Representante de Servicios al Cliente en su área utilizando la información de contacto en nuestro sitio web.

Conéctese a www.weber.com.

- A) Abra la tapa del quemador lateral (1).
- B) Verifique que la válvula del quemador lateral esté cerrada (2) (empuje la perilla de control hacia adentro y gírela en dirección de las agujas del reloj para asegurar de que esté en la posición APAGADO), coloque todos los quemadores que no se estén usando en la posición APAGADO (empujando hacia adentro y girando en la dirección de las agujas del reloj).
- C) Abra la válvula de suministro de gas (3).
- D) Presione y gire la válvula de control del quemador lateral a la posición ENCENDIDO/FUEGO ALTO (4).
- E) Pulse el botón de encendido varias veces de manera que cada vez haga clic hasta que vea una llama (5).

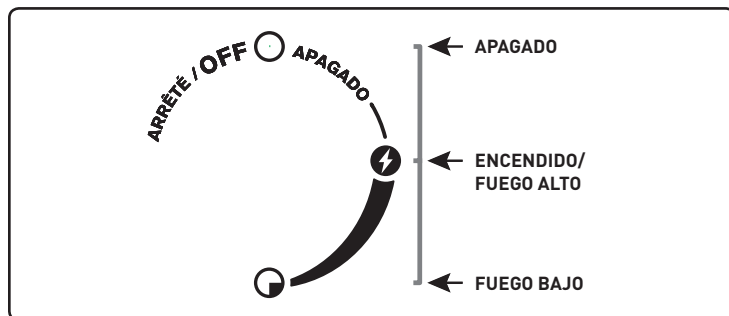
- ⚠ **PRECAUCIÓN:** En días soleados, la llama del quemador lateral puede ser difícil de ver.

- ⚠ **ADVERTENCIA:** Si el quemador lateral no se enciende en cinco segundos:

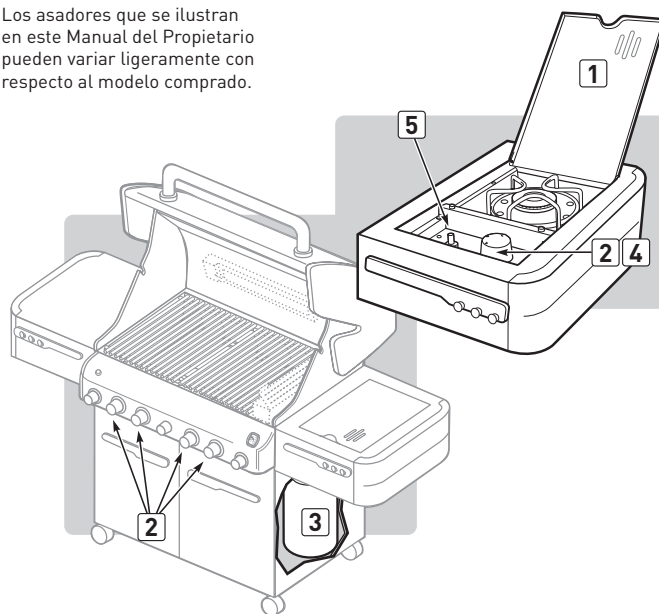
- a) Cierre la válvula de control del quemador lateral, los quemadores principales y el suministro de gas en la fuente.
- b) Espere cinco minutos para permitir que el gas se disipe antes de volver a tratar de de nuevo, o tratar de encender con un cerillo (vea "ENCENDIDO MANUAL DEL QUEMADOR LATERAL"). ♦

PARA APAGAR

Presione y gire la perilla de control del quemador lateral a la posición OFF (apagado). Asegúrese de que el quemador esté apagado y frío antes de cerrar la tapa del quemador lateral. ♦



Los asadores que se ilustran en este Manual del Propietario pueden variar ligeramente con respecto al modelo comprado.



ENCENDIDO Y USO DEL QUEMADOR LATERAL

ENCENDIDO MANUAL DEL QUEMADOR LATERAL

⚠ PELIGRO

El no abrir la tapa mientras se esté encendiendo el quemador lateral, o no esperar cinco minutos para que el gas se disipe si el quemador lateral no se enciende, puede resultar en una llamarada explosiva, la cual puede causar lesiones corporales serias o la muerte.

- A) Abra la tapa del quemador lateral (1).
- B) Verifique que la válvula del quemador lateral esté cerrada (2) (empuje la perilla de control hacia adentro y gírela en dirección de las agujas del reloj para asegurar de que esté en la posición APAGADO), coloque todos los quemadores que no se estén usando en la posición APAGADO (empujando hacia adentro y girando en la dirección de las agujas del reloj).
- C) Abra la válvula de suministro de gas (3).
- D) Coloque un cerillo en el portacerillos y enciéndalo.
- E) Aguante el portacerillos y encienda con el cerillo cualquier lado del quemador lateral (4).
- F) Presione y gire la válvula de control del quemador lateral a la posición fuego alto (5).

⚠ **PRECAUCIÓN:** En días soleados, la llama del quemador lateral puede ser difícil de ver.

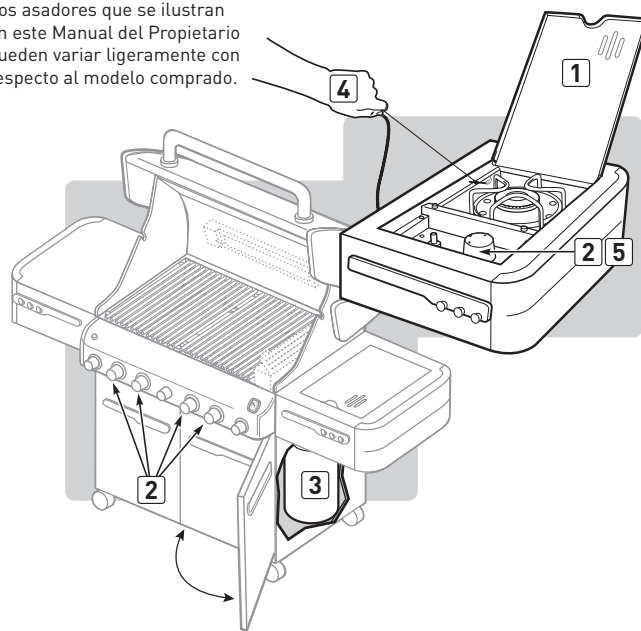
⚠ **ADVERTENCIA:** Si el quemador lateral no se enciende en cinco segundos:

- a) Cierre la válvula de control del quemador lateral, los quemadores principales y el suministro de gas en la fuente.
- b) Antes de probar de nuevo, espere cinco minutos para dejar que el gas se disipe. ♦

PARA APAGAR

Presione y gire la perilla de control del quemador lateral a la posición OFF (apagado). Asegúrese de que el quemador esté apagado y frío antes de cerrar la tapa del quemador lateral. ♦

Los asadores que se ilustran en este Manual del Propietario pueden variar ligeramente con respecto al modelo comprado.



ENCENDIDO Y USO DEL QUEMADOR DE LA ESTACIÓN DE DORAR SEAR STATION

ENCENDIDO DEL QUEMADOR DE LA ESTACIÓN DE DORADO SEAR STATION

Instrucciones resumidas para el encendido se encuentran dentro de la puerta izquierda del gabinete.

⚠ PELIGRO

El no abrir la tapa mientras se esté encendiendo el quemador del asador, o no esperar cinco minutos para que el gas se disipe si el asador no se enciende, puede resultar en una llamarada explosiva, la cual puede causar lesiones corporales serias o la muerte.

El quemador de la estación para dorar SEAR STATION tienen un ajuste de control de encendido y apagado. Para encender el quemador de la estación para dorar SEAR STATION, debe primero encender los dos quemadores principales adyacentes.

Encendido de Acción Rápida del Quemador Principal Adyacente

Nota: La perilla de control de encendido de acción rápida de cada quemador principal genera una chispa desde el electrodo de encendido al tubo de encendido del quemador. Usted genera la energía para la chispa al empujar la perilla de control hacia adentro y girar a encendido/fuego alto. Esto encenderá cada quemador individual.

⚠ **ADVERTENCIA:** Inspeccione la manguera previo a cada uso de la barbacoa y asegúrese de que no tenga muescas, grietas, abrasiones o cortes. Si se encontrase que la manguera estuviese dañada de cualquier manera, no utilice la barbacoa. Reemplácela solamente con una manguera de repuesto autorizada por WEBER. Contacte al Representante de Servicios al Cliente en su área utilizando la información de contacto en nuestro sitio web.
Conéctese a www.weber.com.

- A) Abra la tapa (1).
- B) Asegúrese de que todas las perillas de control de los quemadores estén cerradas (2). (Empuje la perilla de control hacia adentro y gire en dirección de las manecillas del reloj para asegurarse de que esté en la posición APAGADO.)

⚠ **ADVERTENCIA:** Las perillas de control del quemador deberán estar en la posición APAGADA antes de abrir la válvula del tanque de propano licuado. Si no lo estuviesen, cuando abra la válvula del tanque de propano licuado se activará el "control de exceso de flujo" y limitará el flujo de gas desde el tanque de propano licuado. Si esto llegase a ocurrir, cierre la válvula del tanque de propano y las perillas de control del quemador. Luego empiece de nuevo.

⚠ PELIGRO

Cuando se activa el "control de exceso de flujo", una pequeña cantidad de gas sigue fluyendo a los quemadores. Después de cerrar la válvula del tanque y las perillas de control del quemador, espere por lo menos cinco minutos para que el gas se disipe antes de tratar de encender la barbacoa. El no hacer esto podría resultar en una llamarada explosiva que pudiera causar lesiones corporales serias o la muerte.

- C) Para activar el tanque LP, gire lentamente la válvula del tanque en contra de las manecillas del reloj y espere 60 segundos (3).

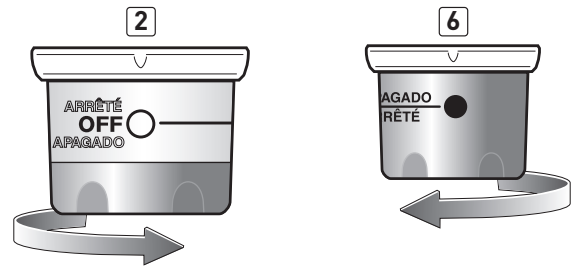
⚠ **ADVERTENCIA:** No se incline sobre la barbacoa abierta.

- D) Encienda cada quemador principal adyacente a la estación para dorar Sear Station® (4). Empuje la perilla de control hacia adentro y gírela a ENCENDIDO/FUEGO ALTO hasta oír sonar el encendedor; mantenga el control en esa posición durante dos segundos. Esta acción hará que el encendedor chispee, encendiendo el tubo de encendido de quemador y luego el quemador principal.
- E) Verifique que el quemador esté encendido viendo hacia abajo a través de las rejillas de cocción (5). Deberá ver una llama. Si el quemador no se enciende la primera vez, empuje la perilla de control hacia adentro y gírela a la posición APAGADO. Repita el procedimiento de encendido una segunda vez.

Encendido del Quemador de la Estación de Dorado SEAR STATION: Encendido por un Quemador Principal Adjunto ya Encendido



Los asadores que se ilustran en este Manual del Propietario pueden variar ligeramente con respecto al modelo comprado.



- F) Gire la perilla de control del quemador de la estación para dorar SEAR STATION a la posición ENCENDIDO (6).

- G) Confirme visualmente la presencia de llamas que indiquen que el encendido ha sido exitoso (7).

⚠ **ADVERTENCIA:** si el encendido no ocurre dentro del lapso de cinco segundos, pague el control del quemador (posición APAGADO), espere cinco minutos, y repita los pasos F y G, o consulte las instrucciones que en "ENCENDIDO MANUAL DEL QUEMADOR DE LA ESTACIÓN DE DORADO SEAR STATION®."

⚠ **ADVERTENCIA:** Si el quemador no se enciende, gire la perilla del control del quemador a la posición APAGADO y espere cinco minutos para permitir que el gas se disipe antes de tratar de nuevo o de tratar de encenderlo con un cerillo. *Nota: Consulte la sección de Mantenimiento respecto a los procedimientos para retirar y limpiar los quemadores.* ♦

PARA APAGAR

Presione hacia abajo y gire la perilla de control del quemador en dirección de las agujas del reloj a la posición APAGADO. Cierre el suministro de gas en la fuente del mismo. ♦

ENCENDIDO Y USO DEL QUEMADOR DE LA ESTACIÓN DE DORAR SEAR STATION

ENCENDIDO MANUAL DEL QUEMADOR DE LA ESTACIÓN DE DORADO SEAR STATION

PELIGRO

El no abrir la tapa mientras se esté encendiendo el quemador de la barbacoa, o no esperar cinco minutos para que el gas se disipe si la barbacoa no se enciende, puede resultar en una llamarada explosiva, la cual puede causar lesiones corporales serias o la muerte.

El quemador de la estación para dorar SEAR STATION tienen un ajuste de control de encendido y apagado. Para encender el quemador de la estación para dorar SEAR STATION, debe primero encender los dos quemadores principales adyacentes.

Encendido de Acción Rápida del Quemador Principal Adyacente

Nota: La perilla de control de encendido de acción rápida de cada quemador principal genera una chispa desde el electrodo de encendido al tubo de encendido del quemador. Usted genera la energía para la chispa al empujar la perilla de control hacia adentro y girar a encendido/fuego alto. Esto encenderá cada quemador individual.

- Abra la tapa (1).
- Verifique que cada quemador principal adyacente a la estación para dorar SEAR STATION esté encendido mediante la comprobación visual de que desprenden llamas (2).
- Coloque el cerillo en el portacerillos y enciéndalo.
- Inserte el portacerillos con el cerillo encendida a través y hacia abajo de las rejillas de cocción y de las barras FLAVORIZER para encender el quemador de la estación para dorar SEAR STATION (3).
- Empuje la perilla de control de la estación para dorar SEAR STATION hacia adentro y gírela a la posición ENCENDIDA (4).

ADVERTENCIA: No se incline sobre la barbacoa abierta.

ADVERTENCIA: Si el quemador no se enciende, gire la perilla del control del quemador a la posición APAGADO y espere cinco minutos para permitir que el gas se disipe antes de tratar de nuevo.

Nota: Consulte la sección de Mantenimiento respecto a los procedimientos para retirar y limpiar los quemadores. ♦

PARA APAGAR

Presione hacia abajo y gire la perilla de control del quemador en dirección de las agujas del reloj a la posición APAGADO. Cierre el suministro de gas en la fuente del mismo. ♦

CÓMO USAR LA ESTACIÓN PARA DORAR SEAR STATION

La barbacoa de gas WEBER incluye un quemador para dorar carnes como los bistecs, partes de aves, pescado, y chuletas.

Ésta es una técnica de asado directo que dora la superficie de los alimentos a altas temperaturas. Al dorar ambas partes de la carne creará un sabor más gustoso mediante la caramelización de la superficie de los alimentos. El dorar también mejorará la apariencia de la carne con las marcas de dorado de la parrilla de cocción. Esto, junto con el contraste de texturas y sabores, puede hacer el alimento más interesante al paladar.

El quemador de la estación para dorar SEAR STATION tiene un ajuste de control de encendido y apagado que funciona en conjunto con los dos quemadores principales adyacentes. Con los quemadores adyacentes y el quemador para dorar, usted puede dorar las carnes de manera efectiva mientras usa otras zonas de cocción para asar bajo calor moderado.

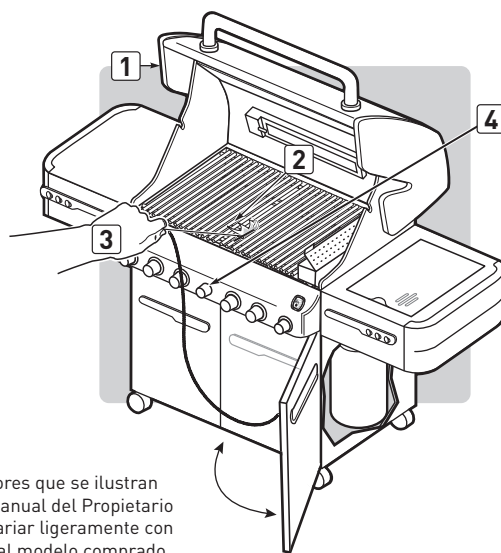
Antes de empezar a dorar, deberá colocar a fuego alto todos los quemadores principales para precalentar la barbacoa. Nota: Siempre ase con la tapa cerrada para lograr el calor máximo y evitar llamaradas.

Una vez esté precalentada la barbacoa, apague los quemadores externos o redúzcalos a fuego bajo. Deje los dos quemadores centrales en fuego alto y encienda el quemador de la estación para dorar SEAR STATION.

Coloque la carne directamente sobre la estación para dorar SEAR STATION. Dore cada lado entre uno y cuatro minutos, según el tipo y espesor de la carne. Puede darle un cuarto de vuelta al alimento para crear las marcas de dorado (1) antes de dorar el otro lado de la misma manera.

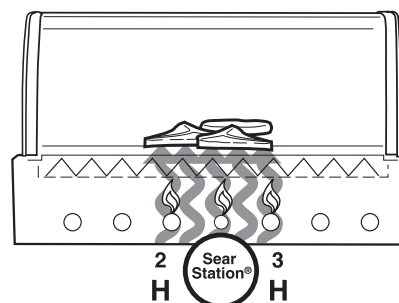
Una vez haya terminado de dorar, puede terminar de asar la carne moviéndola a calor más moderado sobre los calentadores externos para alcanzar el grado de cocción deseado.

En la medida que obtenga más experiencia en el uso de la estación para dorar SEAR STATION, lo animamos a que experimente con diferentes tiempos de dorado para lograr los resultados óptimos para su gusto. ♦



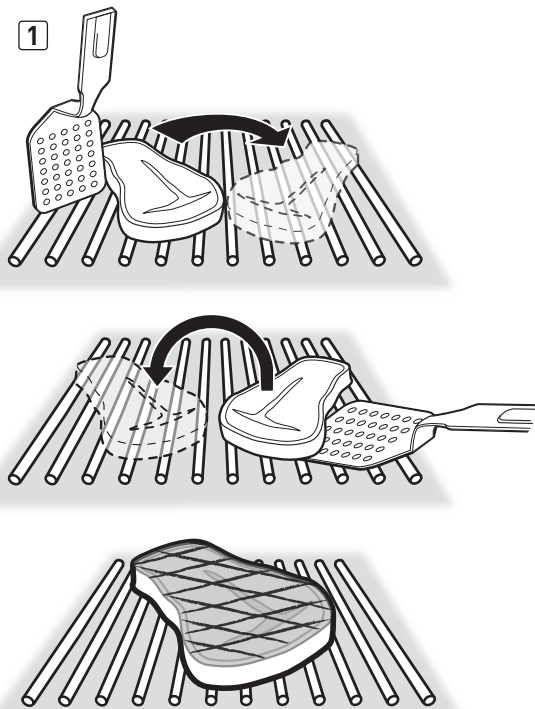
Los asadores que se ilustran en este Manual del Propietario pueden variar ligeramente con respecto al modelo comprado.

4 QUEMADORES



MÉTODO PARA DORAR

El alimento se coloca en la zona de calor intenso entre los quemadores encendidos



ENCENDIDO Y USO DEL QUEMADOR DE AHUMADO

ENCENDIDO DEL QUEMADOR DEL AHUMADOR

⚠ PELIGRO

El no abrir la tapa mientras se esté encendiendo la barbacoa, o no esperar cinco minutos para permitir que el gas se disipe si la barbacoa no se enciende, puede resultar en una llamarada explosiva, la cual puede causar lesiones corporales serias o la muerte.

Encendido Rápido del Quemador del Ahumador

Nota: Cada perilla de control de encendido rápido crea una chispa que va del electrodo de encendido al tubo quemador de encendido. Al presionar la perilla de control y girarla a encendido/fuego alto, usted genera la energía para la chispa. Esto encenderá el quemador del ahumador.

⚠ ADVERTENCIA: Inspeccione la manguera previo a cada uso de la barbacoa y asegúrese de que no tenga muescas, grietas, abrasiones o cortes. Si se encontrase que la manguera estuviese dañada de cualquier manera, no utilice la barbacoa. Reemplácela solamente con una manguera de repuesto autorizada por WEBER. Contacte al Representante de Atención al Cliente en su área utilizando la información de contacto en nuestro sitio web. Conéctese a www.weber.com.

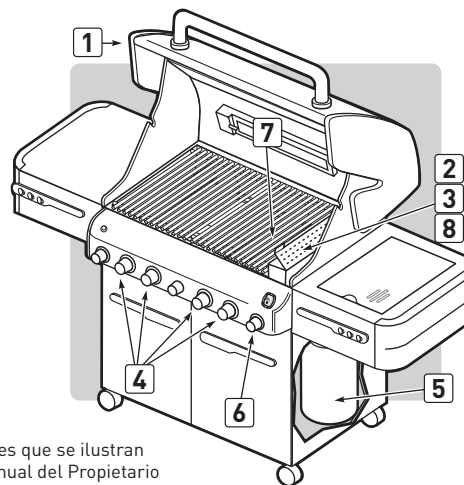
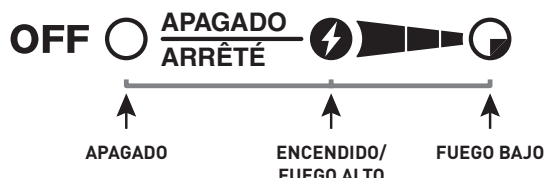
- A) Abra la tapa de la barbacoa (1).
- B) Abra la tapa de la caja del ahumador (2).
- C) Llene el ahumador con pedazos o astillas de madera empapadas con agua (3).
- D) Asegúrese de que las perillas de control de los quemadores que no se estén usando estén en la posición APAGADOS (4). (Empuje la perilla de control hacia adentro y gire en dirección de las agujas del reloj para asegurarse de que esté en la posición APAGADO.)

⚠ ADVERTENCIA: Las perillas de control de los quemadores deberán estar en la posición APAGADA antes de abrir la válvula del tanque de propano licuado. Si no lo estuviesen, cuando abra la válvula del tanque de propano licuado se activará el control de exceso de flujo y limitará el flujo de gas desde el tanque de propano licuado. Si esto llegase a ocurrir, cierre la válvula del tanque de propano y las perillas de control de los quemadores. Luego empiece de nuevo.

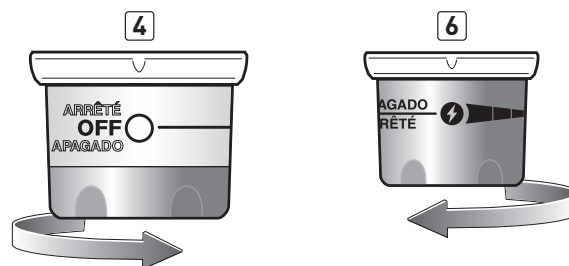
⚠ PELIGRO

Cuando se activa el control de exceso de flujo, una pequeña cantidad de gas sigue fluyendo a los quemadores. Después de cerrar la válvula del tanque y las perillas de control de los quemadores espere por lo menos cinco minutos para que el gas se disipe antes de tratar de encender la barbacoa. El no hacer esto podría resultar en una llamarada explosiva que pudiera causar lesiones corporales serias o la muerte.

- E) Para activar el tanque LP, gire lentamente la válvula del tanque en contra de las manecillas del reloj y espere 60 segundos (5).
- ⚠ ADVERTENCIA:** Mientras lo enciende, no se incline sobre la barbacoa abierta.
- F) Presione la perilla de control y gírela a la posición ENCENDIDO/FUEGO ALTO hasta que escuche el chasquido del encendedor (6); continúe presionando la perilla de control durante dos segundos. Esta acción hará chispotear el encendedor, el tubo de encendido del quemador y luego el quemador del ahumador.
- G) Verifique que el quemador esté encendido viendo a través de las parrillas de cocción (7). Deberá ver una llama. Si el encendedor no se encendiese al primer intento, presione la perilla de control y gírela a la posición APAGADO y repita el procedimiento una segunda vez.



Los asadores que se ilustran en este Manual del Propietario pueden variar ligeramente con respecto al modelo comprado.



⚠ PELIGRO

Si el quemador del ahumador no se enciende, gire la perilla del control del quemador a la posición APAGADO y espere cinco minutos para permitir que el gas se disipe antes de tratar de nuevo o de que usted trate de encenderlo con un cerillo (vea "ENCENDIDO MANUAL DEL QUEMADOR DEL AHUMADOR").

- H) Una vez que la madera empiece a arder, cierre la cubierta del ahumador (8) y gire la perilla de control a fuego bajo. ♦

PARA APAGAR

Presione y gire la perilla de control de cada quemador en dirección de las agujas del reloj a la posición APAGADO. Cierre el suministro de gas en la fuente del mismo. ♦

ENCENDIDO Y USO DEL QUEMADOR DE AHUMADO

ENCENDIDO MANUAL DEL QUEMADOR DEL AHUMADOR

⚠ **ADVERTENCIA:** Inspeccione la manguera previo a cada uso de la barbacoa y asegúrese de que no tenga muescas, grietas, abrasiones o cortes. Si se encontrase que la manguera estuviese dañada de cualquier manera, no utilice la barbacoa. Reemplácela solamente con una manguera de repuesto autorizada por WEBER. Contacte al Representante de Servicios al Cliente en su área utilizando la información de contacto en nuestro sitio web. Conéctese a www.weber.com.

A) Abra la tapa (1).

⚠ PELIGRO

El no abrir la tapa mientras se esté encendiendo la barbacoa, o no esperar cinco minutos para permitir que el gas se disipe si la barbacoa no se enciende, puede resultar en una llamarada explosiva, la cual puede causar lesiones corporales serias o la muerte.

B) Abra la tapa de la caja del ahumador (2).

C) Llene la caja del ahumador con pedazos o astillas de madera empapadas de agua (3).

D) Asegúrese de que las perillas de control de los quemadores que no se estén usando estén en la posición APAGADOS (4). (Empuje la perilla de control hacia adentro y gire en dirección de las agujas del reloj para asegurarse de que esté en la posición APAGADO.)

⚠ **ADVERTENCIA:** Las perillas de control de los quemadores deberán estar en la posición APAGADA antes de abrir la válvula del tanque de propano licuado. Si no lo estuviesen, cuando abra la válvula del tanque de propano licuado se activará el control de exceso de flujo y limitará el flujo de gas desde el tanque de propano licuado. Si esto llegase a ocurrir, cierre la válvula del tanque de propano y las perillas de control del quemador. Luego comience de nuevo.

⚠ PELIGRO

Cuando se activa el control de exceso de flujo, una pequeña cantidad de gas sigue fluyendo a los quemadores. Después de cerrar la válvula del tanque y las perillas de control de los quemadores, espere por lo menos cinco minutos para que el gas se disipe antes de tratar de encender la barbacoa. El no hacer esto podría resultar en una llamarada explosiva que pudiera causar lesiones corporales serias o la muerte.

E) Para activar el tanque LP, gire lentamente la válvula del tanque en contra de las manecillas del reloj y espere 60 segundos (5).

F) Coloque un cerillo en el portacerillos y enciéndalo.

G) Inserte el portacerillos con el cerillo encendido a través de las parrillas de cocción y de las barras FLAVORIZER para encender al quemador del ahumador (6).

⚠ **ADVERTENCIA:** Mientras la enciende, no se incline sobre la barbacoa abierta.

H) Presione la perilla de control del quemador del ahumado y gírela hacia encendido/alto (7).

I) Viendo a través de la parrilla de cocción, verifique que el quemador esté encendido (8).

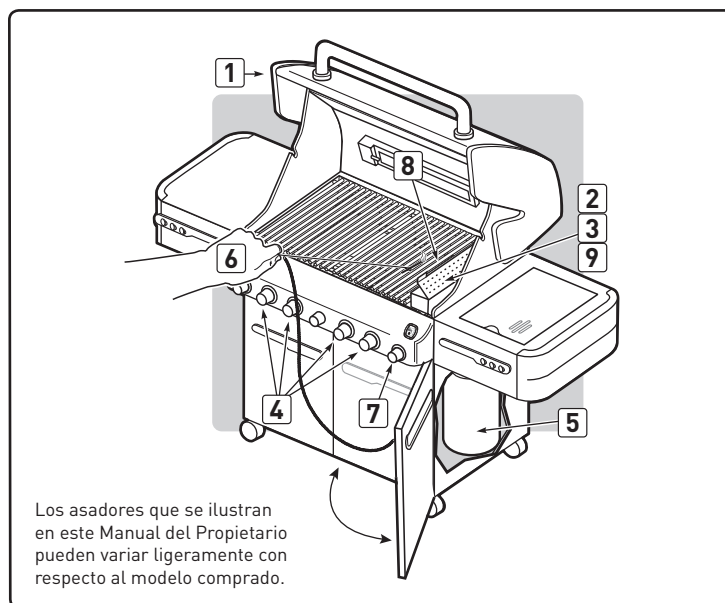
⚠ PELIGRO

Si el quemador del ahumador no se enciende, gire la perilla del control del quemador a la posición APAGADO y espere cinco minutos para permitir que el gas se disipe antes de tratar de nuevo.

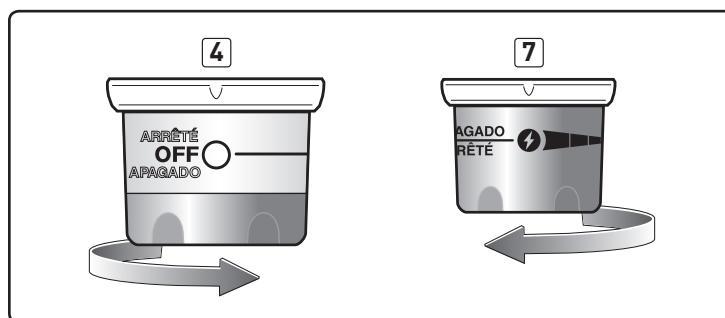
J) Una vez que la madera empiece a arder, cierre la cubierta del ahumador (9) y gire la perilla de control a fuego bajo. ♦

PARA APAGAR

Presione y gire la perilla de control de cada quemador en dirección de las agujas del reloj a la posición APAGADO. Cierre el suministro de gas en la fuente del mismo. ♦



Los asadores que se ilustran en este Manual del Propietario pueden variar ligeramente con respecto al modelo comprado.



ENCENDIDO Y USO DEL QUEMADOR DE AHUMADO

CÓMO USAR EL AHUMADOR

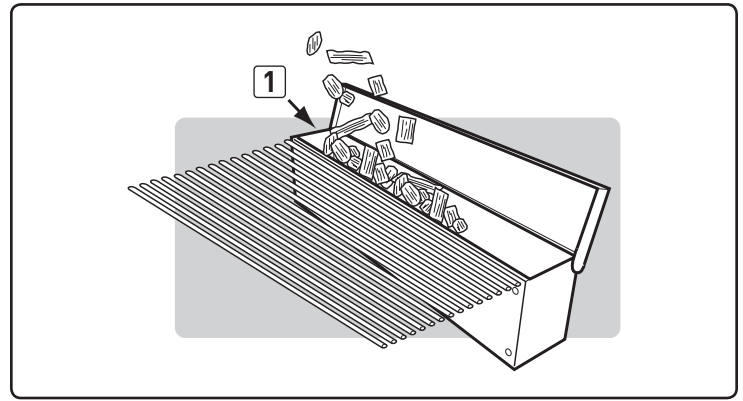
El ahumador usa astillas de madera premojadas. Para resultados óptimos con alimentos que se cocinan más rápidamente tales como bistecs, hamburguesas, chuletas, etc., recomendamos usar astillas de madera más finas dado que se encienden y crean humo de manera más rápida. Para alimentos con tiempos de cocción más largos tales como los asados, pollos, y pavos, etc., recomendamos el uso de trozos de madera más grandes dado que se encienden más lentamente y proporcionan humo durante un período de tiempo más largo. En la medida en que usted gane experiencia usando su ahumador, le animamos a experimentar con diferentes combinaciones de astillas y pedazos de madera para encontrar el sabor del ahumado que más se ajusta a su gusto.

Como punto de partida, remoje las astillas de madera en agua durante por lo menos 20 minutos antes de usarlas. (La madera húmeda producirá más sabor a ahumado.) Coloque un puñado de astillas de madera o unos cuantos trozos grandes en el fondo del cuerpo del ahumador **(1)**. En la medida que usted gane experiencia ahumando, incremente o reduzca la cantidad de madera para ajustarla a su gusto.

Nota: Siempre ase con la tapa cerrada para permitir que el humo penetre la comida a fondo. Encienda el quemador del ahumador siguiendo las instrucciones dadas en "ENCENDIDO DEL QUEMADOR DEL AHUMADOR." Una vez que la madera empiece a arder, ajuste la perilla de control a una llama baja.

El humo comenzará a producirse en aproximadamente 10 minutos y puede llegar a durar unos 45 minutos. Si requiere un sabor más ahumado, rellene el ahumador con astillas y/o trozos de madera. Mantenga la tapa del asador cerrada mientras cocine.

Nota: después de volver a llenar el ahumador, tardará 10 a 15 minutos en comenzar a humear de nuevo. El ahumador puede usarse para realzar las recetas de carnes, aves, y pescados. Cocine con la tapa cerrada de acuerdo con los tiempos indicados en las tablas o las recetas.



⚠ PELIGRO

No use ningún líquido inflamable en el ahumador para encender la madera. Esto causará serias lesiones corporales. ♦

LIMPIEZA DEL AHUMADOR

Antes de cada uso, vacíe las cenizas del ahumador para permitir el flujo apropiado de aire.

Nota: El ahumar dejará un residuo de "humo" sobre la superficie del ahumador. Este residuo no se puede eliminar y no afectará el funcionamiento del ahumador. En menor grado, un residuo de "humo" se acumulará dentro de su asador de gas. Este residuo no necesita quitarse y no afectará adversamente al funcionamiento de la barbacoa de gas. ♦

ENCENDIDO Y USO DEL QUEMADOR DEL ASADOR GIRATORIO

ENCENDIDO DEL QUEMADOR DEL ASADOR GIRATORIO

Encendido Rápido del Quemador del Asador Giratorio

Nota: Cada perilla de control de encendido rápido crea una chispa que va del electrodo de encendido al tubo quemador de encendido. Al presionar la perilla de control y girarla a encendido/fuego alto, usted genera la energía para la chispa. Esto encenderá cada quemador individual.

⚠ ATENCIÓN: LÉALO ANTES DE ENCENDER EL QUEMADOR DEL ASADOR GIRATORIO

Tras cualquier tiempo sin uso, antes de encender el quemador del asador giratorio, deben pasar unos cuantos segundos para que se llene la línea de suministro de gas.

Al usar el encendedor rápido, verá un fogonazo de llamas moviéndose de derecha a izquierda a lo largo de la superficie del quemador del asador giratorio; éste no estará encendido hasta tanto toda la superficie cerámica esté en llamas.

En este momento, inicie un conteo de 20 segundos antes de soltar la perilla de control del quemador del asador giratorio.

La superficie del quemador del asador giratorio estará al rojo vivo una vez esté totalmente encendido.

⚠ PELIGRO

El no abrir la tapa mientras se esté encendiendo la barbacoa, o no esperar cinco minutos para permitir que el gas se disipe si la barbacoa no se enciende, puede resultar en una llamarada explosiva, la cual puede causar lesiones corporales serias o la muerte.

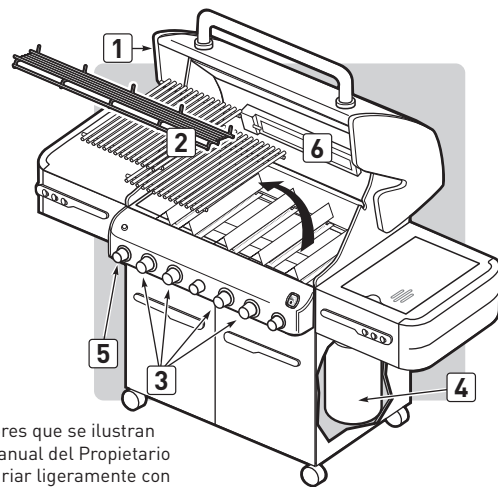
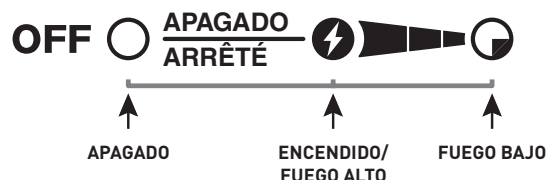
- ⚠ **PRECAUCIÓN:** La llama del quemador del asador giratorio puede ser difícil de ver en un día brillantemente soleado.
- ⚠ **ADVERTENCIA:** Inspeccione la manguera previo a cada uso de la barbacoa y asegúrese de que no tenga muescas, grietas, abrasiones o cortes. Si se encontrase que la manguera estuviese dañada de cualquier manera, no utilice la barbacoa. Reemplácela solamente con una manguera de repuesto autorizada por WEBER. Contacte al Representante de Servicios al Cliente en su área utilizando la información de contacto en nuestro sitio web.

Conéctese a www.weber.com.

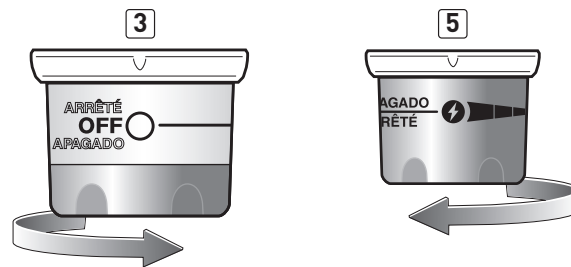
- A) Abra la tapa (1).
- B) Retire la gradilla de calentamiento y la parrilla de cocción de la caja de cocción (2).
- C) Asegúrese de que todas las perillas de control del quemador estén cerradas (3). (Presione la perilla de control y gire en dirección de las agujas del reloj para asegurarse de que esté en la posición APAGADA.)
- ⚠ **ADVERTENCIA:** Las perillas de control de los quemadores deberán estar en la posición APAGADA antes de abrir la válvula del tanque de propano licuado. Si no lo estuviesen, cuando abra la válvula del tanque de propano licuado se activará el control de exceso de flujo y limitará el flujo de gas desde el tanque de propano licuado. Si esto llegase a ocurrir, cierre la válvula del tanque de propano y las perillas de control de los quemadores. Luego empiece de nuevo.

⚠ PELIGRO

Cuando se activa el control de exceso de flujo, una pequeña cantidad de gas sigue fluyendo a los quemadores. Después de cerrar la válvula del tanque y las perillas de control de los quemadores espere por lo menos cinco minutos para que el gas se disipe antes de tratar de encender la barbacoa. El no hacer esto podría resultar en una llamarada explosiva que pudiera causar lesiones corporales serias o la muerte.



Los asadores que se ilustran en este Manual del Propietario pueden variar ligeramente con respecto al modelo comprado.



- D) Para activar el tanque LP, gire lentamente la válvula del tanque en contra de las manecillas del reloj y espere 60 segundos (4).
- ⚠ **ADVERTENCIA:** No se incline sobre la barbacoa abierta.
- E) Presione la perilla de control del quemador y gírela hacia ENCENDIDO/FUEGO ALTO (5). Esta acción hará que el encendedor chispee y encienda el quemador del asador giratorio. Continúe usando el encendedor rápido hasta que el quemador del asador giratorio se haya encendido. Continúe presionando la perilla de control unos veinte segundos más después de que el quemador se haya encendido. Suelte la perilla de control.
- F) Verifique que el quemador esté encendido revisando que el quemador del asador giratorio esté al rojo vivo (6).
- ⚠ **ADVERTENCIA:** Si el quemador del asador giratorio no se enciende, gire la perilla del control del quemador a la posición APAGADO y espere cinco minutos para permitir que el gas se disipe antes de tratar de nuevo o de que usted trate de encenderlo con un cerillo.

Nota: Cuando se use el asador con la tapa cerrada, solamente encienda dos de los quemadores principales a cada lado de los alimentos (vea los "MÉTODOS DE COCCIÓN—COCCIÓN INDIRECTA"). Revise periódicamente sus alimentos para prevenir que se cocinen de más en la parte externa. Una vez que el alimento se haya dorado al color deseado, apague el quemador del asador giratorio. Termine de asar con calor indirecto. ♦

PARA APAGAR

Presione la perilla de control del quemador del asador giratorio y gírela en la dirección de las agujas del reloj a la posición APAGADA. Cierre el suministro de gas en la fuente del mismo. ♦

ENCENDIDO Y USO DEL QUEMADOR DEL ASADOR GIRATORIO

ENCENDIDO MANUAL DEL QUEMADOR DEL ASADOR GIRATORIO

⚠ ATENCIÓN: LÉALO ANTES DE ENCENDER EL QUEMADOR DEL ASADOR GIRATORIO

Tras cualquier período de haber estado sin uso, antes de encender el quemador del asador giratorio, deben pasar unos cuantos segundos para que se llene la línea de suministro de gas.

Al encender el quemador del asador giratorio con un cerillo, usted verá un flogonazo de llamas moviéndose de derecha a izquierda a lo largo de la superficie del quemador del mismo; el asador giratorio no estará encendido hasta tanto toda la superficie cerámica esté en llamas.

En este momento, inicie un conteo de 20 segundos antes de soltar la perilla de control del quemador del asador giratorio.

La superficie del quemador del asador giratorio estará al rojo vivo una vez esté totalmente encendido.

⚠ PELIGRO

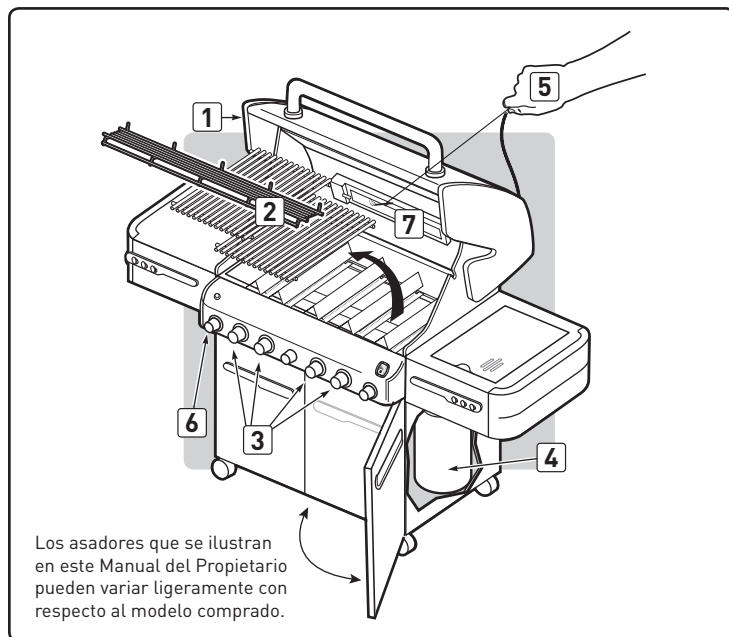
El no abrir la tapa mientras se esté encendiendo la barbacoa, o no esperar cinco minutos para permitir que el gas se disipe si ésta no se enciende, puede resultar en una llamarada explosiva, la cual puede causar lesiones corporales serias o la muerte.

- ⚠ **PRECAUCIÓN:** La llama del quemador del asador giratorio puede ser difícil de ver en un día brillantemente soleado.
- ⚠ **ADVERTENCIA:** Inspeccione la manguera previo a cada uso de la barbacoa y asegúrese de que no tenga muescas, grietas, abrasiones o cortes. Si se encontrase que la manguera estuviese dañada de cualquier manera, no utilice la barbacoa. Reemplácela solamente con una manguera de repuesto autorizada por WEBER. Contacte al Representante de Servicios al Cliente en su área utilizando la información de contacto en nuestro sitio web. Conéctese a www.weber.com.

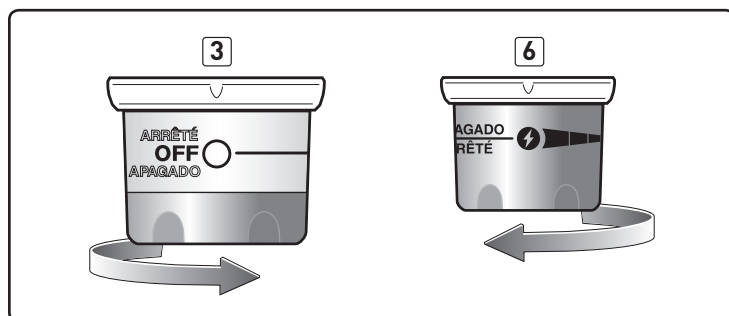
- A) Abra la tapa (1).
- B) Retire de la caja de cocción la rejilla para calentar y las parrillas de cocción (2).
- C) Asegúrese de que todas las perillas de control del quemador estén en la posición APAGADO (3). (Empuje la perilla de control hacia adentro y gire en dirección de las agujas del reloj para asegurarse de que esté en la posición APAGADA.)
- ⚠ **ADVERTENCIA:** Las perillas de control de los quemadores deberán estar en la posición apagada antes de abrir la válvula del tanque de propano licuado. Si no lo estuviesen, cuando abra la válvula del tanque de propano licuado se activará el control de exceso de flujo y limitará el flujo de gas desde el tanque de propano licuado. Si esto llegase a ocurrir, cierre la válvula del tanque de propano y las perillas de control de los quemadores. Luego comience de nuevo.

⚠ PELIGRO

Cuando se activa el control de exceso de flujo, una pequeña cantidad de gas sigue fluyendo a los quemadores. Después de cerrar la válvula del tanque y las perillas de control de los quemadores, espere por lo menos cinco minutos para que el gas se disipe antes de tratar de encender la barbacoa. El no hacer esto podría resultar en una llamarada explosiva que pudiera causar lesiones corporales serias o la muerte.



Los asadores que se ilustran en este Manual del Propietario pueden variar ligeramente con respecto al modelo comprado.



- D) Para activar el tanque LP, gire lentamente la válvula del tanque en contra de las manecillas del reloj y espere 60 segundos (4).
- E) Coloque un cerillo en el portacerillos y enciéndalo.
- F) Agarre el portacerillos y encienda con el cerillo por el lado derecho del quemador del asador giratorio (5).
- ⚠ **ADVERTENCIA:** No se incline sobre la barbacoa abierta.
- G) Presione la perilla de control del quemador del asador giratorio y gírela hacia encendido/fuego alto (6). Continúe presionando la perilla de control unos veinte segundos más después de que el quemador se haya encendido.
- H) Verifique que el quemador esté encendido revisando que el quemador del asador giratorio esté al rojo vivo (7).

- ⚠ **ADVERTENCIA:** Si el quemador del asador giratorio no se enciende, gire la perilla del control del quemador a la posición apagada y espere cinco minutos para permitir que el gas se disipe antes de tratar de nuevo.

Nota: Cuando se use el asador giratorio con la tapa cerrada, solamente encienda dos de los quemadores principales a cada lado de los alimentos (vea "MÉTODOS DE COCCIÓN—COCCIÓN INDIRECTA"). Revise periódicamente sus alimentos para prevenir que se cocinen de más en la parte externa. Una vez que el alimento se haya dorado al color deseado, apague el quemador del asador giratorio. Termine de asarlo con calor indirecto. ♦

PARA APAGAR

Presione la perilla de control del quemador del asador giratorio y gírela en la dirección de las agujas del reloj a la posición APAGADA. Cierre el suministro de gas en la fuente del mismo. ♦

ENCENDIDO Y USO DEL QUEMADOR DEL ASADOR GIRATORIO

MEDIDAS PREVENTIVAS IMPORTANTES

Nota: Antes de usar el asador giratorio, mida el alimento a asar en su punto más ancho. Si éste excede de 9½" (241.8 mm), entonces es demasiado grande para que quepa en el asador giratorio. Si es demasiado grande, la comida puede prepararse usando un sostenedor de asado y el método de cocción indirecta.

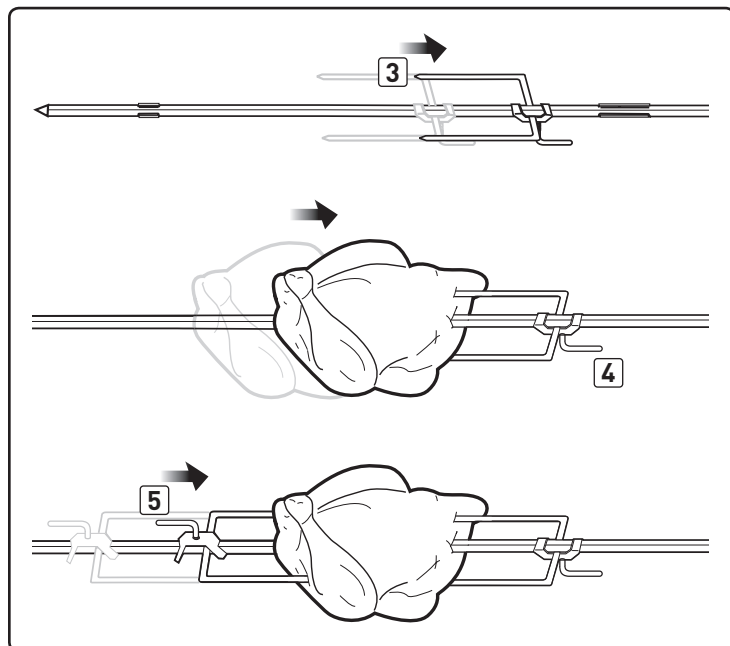
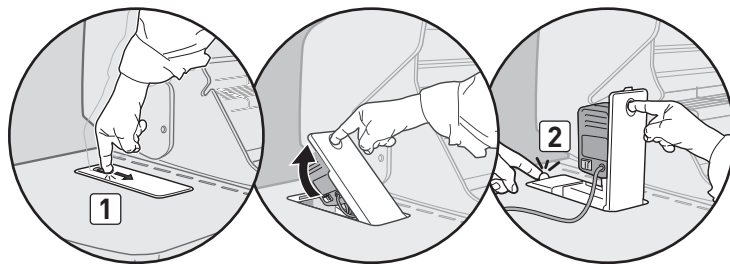
⚠ ADVERTENCIAS

- ⚠ Por favor lea cuidadosamente las instrucciones antes de utilizar el asador giratorio.
- ⚠ Este asador giratorio debe usarse solamente al aire libre.
- ⚠ Retire el motor y almacénelo en un lugar seco cuando no esté en uso.
- ⚠ No toque las superficies calientes. Use guantes protectores para barbacoas.
- ⚠ Este asador giratorio no debe ser usado por niños.
- ⚠ Como protección contra riesgos eléctricos no sumerja el cable, enchufes, o motor en agua u otros líquidos.
- ⚠ Desenchufe el motor cuando no esté en uso, o antes de limpiar.
- ⚠ No use el asador giratorio para ningún otro uso que no sea para el cual está diseñado.
- ⚠ Asegúrese de que el motor esté apagado antes de colocarlo sobre el soporte del mismo.
- ⚠ No opere el motor del asador giratorio con el cable eléctrico o el enchufe dañado.
- ⚠ No opere el motor del asador giratorio si éste está fallando.
- ⚠ El motor del asador giratorio está equipado con un cordón eléctrico de tres clavijas (conectado a tierra) para su protección contra descargas eléctricas.
- ⚠ El cordón eléctrico deberá enchufarse directamente a un enchufe para tres clavijas debidamente conectado a tierra. Si se requiere el uso de un cable de extensión, asegúrese de que sea por lo menos de 1,3 mm 2x3 hilos, bien aislado, y específicamente para uso en exteriores y debidamente conectado a tierra.
- ⚠ Cuando se use una extensión eléctrica, asegúrese de que no haga contacto con ninguna superficie caliente o filosa.
- ⚠ Los cables de extensión para exteriores deberán estar marcados con las letras "W-A" y una etiqueta que diga "Apto para usarse con artefactos para exteriores".
- ⚠ No corte o elimine la clavija de conexión a tierra del cordón eléctrico del motor del asador giratorio.
- ⚠ No permita que el cordón eléctrico cuelgue sobre ningún borde filoso o superficie caliente.
- ⚠ No lo esponga a la lluvia.
- ⚠ Para reducir el riesgo de descargas eléctricas, mantenga la extensión eléctrica seca y levantada del suelo.
- ⚠ Se suministra un cordón de suministro eléctrico corto para minimizar el riesgo de tropezar con el mismo y caerse. Los cables de extensión pueden usarse, pero debe tomarse la debida precaución para prevenir que se tropiece con ellos.
- ⚠ En caso de no existir códigos locales, el motor del asador giratorio deberá conectarse a tierra de acuerdo con el Código Eléctrico Nacional, ANSI/NFPA 70, o el Código Eléctrico Canadiense, CSA C22.1. ♦

OPERACIÓN DEL ASADOR GIRATORIO

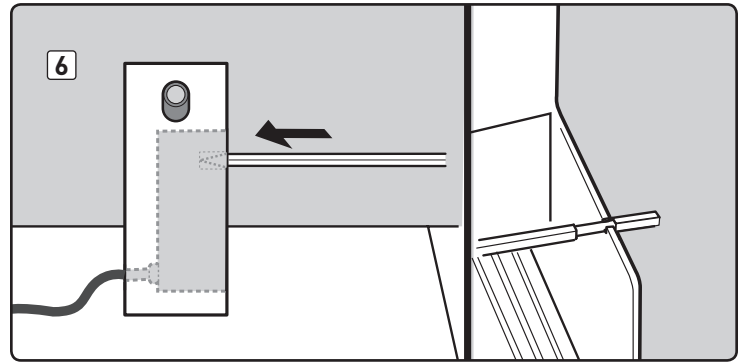
⚠ **ADVERTENCIA:** Coloque el alimento en el asador rotativo antes de encender el quemador del mismo.

- A) Para instalar el motor del asador giratorio, presione el botón en el panel retráctil del asador giratorio (1). Hale el panel del asador giratorio hacia arriba. Empuje la pestaña de cierre (2) hasta que encaje en su sitio.
- B) Retire el cordón eléctrico y enchúfelo en la fuente de alimentación eléctrica.
- ⚠ **PRECAUCIÓN:** No pase el cordón eléctrico del motor del asador giratorio a través de la abertura retráctil del mismo en la mesa lateral.
- ⚠ **PRECAUCIÓN:** Inspeccione el cordón eléctrico antes de cada uso. Si el cordón está dañado, no lo use. Contacte al Representante de Atención al Cliente usando la información de contacto en nuestro sitio web. Conéctese a www.weber.com.
- C) Deslice una de las horquillas del asador hacia el lado derecho del eje del asador giratorio, asegurándose de que los pinchos den de cara hacia la izquierda y el tornillo de la horquilla esté cara abajo (3).
- D) Empuje el eje del asador a través del centro de la comida. Inserte los dientes de ambas horquillas en el alimento. El alimento deberá estar centrado sobre el eje. Apriete el tornillo de la horquilla (4).
- E) Deslice otra horquilla sobre el eje del asador giratorio, asegurándose de que los pinchos den hacia el lado derecho y el tornillo de la horquilla esté cara arriba. Inserte los dientes de ambas horquillas en el alimento. Apriete el tornillo de la horquilla (5).



ENCENDIDO Y USO DEL QUEMADOR DEL ASADOR GIRATORIO

- F) Inserte el extremo puntiagudo del eje del asador en el motor. Baje el espetón del asador dentro de las ranuras en la caja de cocción **(6)**.
- G) El eje del rotor deberá rotar de tal manera que el lado pesado de la carne o ave rote hacia el fondo. Los cortes grandes quizás necesiten que se retiren la rejillas de cocinar y la gradilla de calentamiento para permitir la rotación completa del eje. Si fuese necesario para lograr un mejor balance, vuelva a colocar el alimento de nuevo.
- H) Encienda el motor. ♦



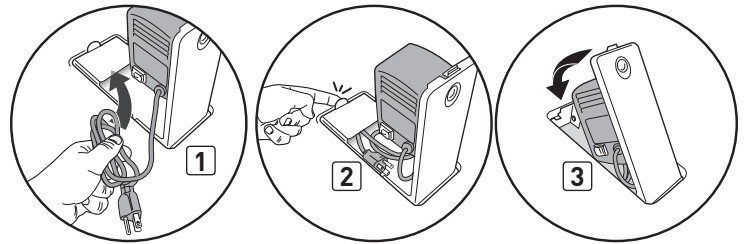
CÓMO COCINAR CON EL ASADOR GIRATORIO

- Las carnes (excepto las aves y la carne molida) deberán dejarse calentar a la temperatura ambiente antes de cocinarlas. (20 a 30 minutos deberá ser suficiente para la mayoría de los alimentos. Si están congelados, descongélelos completamente antes de cocinar.)
- Si fuese necesario, ate la carne o las aves con un cordel para darles la forma más uniforme posible antes de colocarlas en el asador.
- Retire la rejillas de cocinar y la gradilla de calentamiento para permitir que la comida rote libremente.
- Siga las instrucciones para el encendido del quemador del asador giratorio.
- Ajuste el quemador del asador a fuego medio - alto basándose en la temperatura al aire libre.
- Coloque la comida dentro del área del quemador.
- Si desea guardar la grasa que se escurre para usarla como salsa para la carne, coloque una bandeja de goteo encima de las barras FLAVORIZER y directamente debajo de la comida.
- Los pasos de preparación de la comida para asar en el asador giratorio son los mismos que para la cocción normal.
- Toda la cocción deberá llevarse a cabo con la tapa cerrada.
- Si los alimentos son demasiado pesados o de formas irregulares, podrá ocurrir que no roten bien y deberán cocinarse mediante el Método Indirecto sin usar el asador giratorio.
- Se puede usar el ahumador en conjunción con el asador giratorio para un sabor más ahumado.

Nota: Cuando se usa el quemador del asador giratorio, el termómetro de la parrilla no reflejará la temperatura dentro de la caja de cocción. ♦

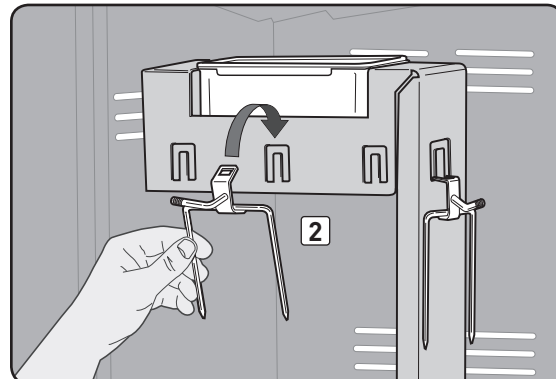
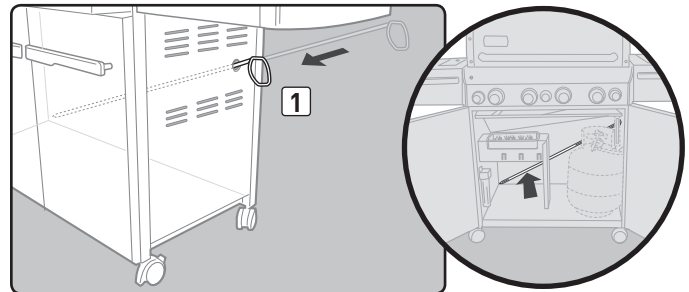
ALMACENAJE DEL MOTOR DEL ASADOR GIRATORIO

- A) Antes de retraer el asador giratorio de vuelta a la mesa lateral, desenchufe el cordón eléctrico y con cuidado coloque el enchufe y el cordón eléctrico dentro del área de almacenaje del ensamble retráctil del asador giratorio **(1)**.
- ⚠ PRECAUCIÓN: El no almacenar correctamente el cordón eléctrico del asador giratorio pudiera resultar en daños al mismo al abrir y cerrar el panel retráctil del asador giratorio.**
- B) Con su dedo índice, desacople el panel retráctil del asador giratorio **(2)**. Empuje el panel hacia abajo hasta que encaje completamente en su lugar **(3)**. ♦



ALMACENAJE DEL ESPETÓN DEL ASADOR GIRATORIO

- A) Retire las horquillas del espetón del asador. Con cuidado inserte el espetón dentro del gabinete deslizándolo a través del agujero en el panel del lado derecho **(1)**.
- ⚠ PRECAUCIÓN: No permita que el espetón haga contacto con las líneas de gas.**
- B) Almacene las horquillas del asador colocándolas en los ganchos ubicados sobre el soporte del plato recolector dentro del gabinete de la barbacoa **(2)**. ♦



RESOLUCIÓN DE PROBLEMAS

PROBLEMA	REVISAR	SOLUCIÓN
La llama en los quemadores es de color amarillo o anaranjado, conjuntamente con olor a gas (esto es normal para el tubo encendedor del quemador).	Revise que no haya obstrucciones en las mallas contra arañas e insectos. (Taponamiento de orificios.)	Limpie las mallas contra arañas e insectos. (Vea la sección: "MANTENIMIENTO ANUAL.")
Síntomas: Los quemadores no se encienden. O Los quemadores presentan una llama pequeña y parpadeante en la posición fuego alto. O La temperatura de la barbacoa no pasa más allá de 250° a 300° en la posición ENCENDIDO/ FUEGO ALTO.	Puede haberse activado el dispositivo de seguridad de caudal excesivo, el cual es parte de la conexión de la barbacoa al cilindro.	Para restablecer el dispositivo de seguridad de caudal excesivo gire todos las perillas de control del quemador a la posición APAGADAS y cierra la válvula del cilindro. Desconecte el regulador del cilindro. Gire las perillas de control de los quemadores a la posición ENCENDIDO/FUEGO ALTO. Espere por lo menos un minuto. Gire las perillas de control a la posición APAGADO. Vuelva a conectar el regulador del cilindro. Abra la válvula del cilindro lentamente. Consulte "ENCENDIDO DEL QUEMADOR PRINCIPAL."
El quemador no enciende. O La llama se mantiene baja en la posición fuego alto.	¿Está el tanque de propano licuado vacío o bajo de combustible?	Llene el tanque de propano licuado.
	¿Está doblada la manguera de combustible?	Enderece la manguera de combustible.
	¿Se enciende el quemador con un cerillo?	Limpie los quemadores. (Vea la sección de "MANTENIMIENTO.")
	¿Utilizó el encendedor rápido varias veces hasta que el quemador principal se encendiese? (Consulte "ENCENDIDO EL QUEMADOR PRINCIPAL.")	Asegúrese de mantener presionada la perilla de control durante dos segundos después de accionar el encendedor y ver la llama anaranjada proveniente del tubo encendedor de los quemadores.
	¿Funciona el encendedor? ¿Ve una chispa cuando usa repetidas veces el encendedor rápido?	Trate de encender manualmente el quemador (consulte "ENCENDIDO EL QUEMADOR PRINCIPAL"). Póngase en contacto con Atención al Cliente.
Se producen llamaradas: ⚠ PRECAUCIÓN: No forre la bandeja corrediza recolectora de grasa con hoja de aluminio.	¿Está precalentando la barbacoa de la manera prescrita?	Coloque a todos los quemadores en fuego alto durante 10 a 15 minutos para precalentar la barbacoa.
	¿Están las parrillas de cocción y las barras FLAVORIZER recubiertas con una capa gruesa de grasa quemada?	Límpielas a fondo. (Vea la sección "LIMPIEZA.")
	¿Está la bandeja corrediza recolectora de grasa "sucía" y no deja que la grasa fluya al plato recolector?	Limpie la bandeja corrediza recolectora de grasa.
El quemador produce llamas con un patrón errático. La llama se mantiene baja cuando el quemador está en fuego alto. Las llamas no corren a lo largo de todo el tubo del quemador.	¿Están limpios los quemadores?	Limpie los quemadores. (Vea la sección de "MANTENIMIENTO.")
La parte interna de la tapa pareciera estar "pelándose". (Se parece al desprendimiento de pintura.)	La tapa está porcelanizada o es de acero inoxidable y no está pintada. No puede "pelarse." Lo que está viendo es grasa asada que se ha convertido en carbón y se está descascarando. ESTO NO ES UN DEFECTO.	Límpielas a fondo. (Vea la sección "LIMPIEZA.")
Las puertas del gabinete no están alineadas.	Revise el perno de ajuste en la parte inferior de cada puerta.	Afloje la(s) tuerca(s) de ajuste. Destlice la(s) puerta(s) hasta quedar alineada(s.) Apriete la(s) tuerca(s).
La barbacoa parece perder calor al cocinar a temperaturas de 50°F (10°C) o menos.	¿Hay escarcha o hielo en la parte externa de la bombona de propano licuado?	El propano licuado en el cilindro se convierte en vapor demasiado lentamente para suministrarle gas a los quemadores. Esto es debido a que la temperatura del aire enfría la bombona de propano licuado, lo cual hace más lento el proceso de vaporización. Apague las perillas de control de los quemadores; reemplace la bombona por otra bombona de propano licuado de repuesto y continúe cocinando.
Si los problemas no pueden corregirse usando cualquiera de estos métodos, por favor contacte al Representante de Atención al Cliente en su área usando la información de contacto en nuestro sitio web. Conéctese a www.weber.com .		

RESOLUCIÓN DE PROBLEMAS CON EL QUEMADOR LATERAL

PROBLEMA	REVISAR	SOLUCIÓN
El quemador lateral no se enciende.	¿Está cerrado el suministro de gas? Puede haberse activado el dispositivo de seguridad de caudal excesivo, el cual es parte de la conexión de la barbacoa al cilindro.	Abra el suministro de gas. Para restablecer el dispositivo de seguridad que previene el exceso de flujo, cierre la válvula del tanque de propano licuado y cierre todas las perillas de control de los quemadores (posición OFF). Abra las tapas de la barbacoa y del quemador lateral. Lentamente abra la válvula del tanque de propano líquido hasta quedar abierta por completo. Espere varios segundos y luego encienda el quemador lateral. Consulte "ENCENDIDO DEL QUEMADOR LATERAL."
La llama se mantiene baja en la posición FUEGO ALTO.	¿Está doblada la manguera de combustible?	Enderece la manguera.
El botón de encendido no funciona.	¿Se enciende el quemador con un cerillo?	Si un cerillo enciende el quemador, revise el encendedor. Consulte la sección "MANTENIMIENTO DEL QUEMADOR LATERAL"
Si los problemas no pueden corregirse usando cualquiera de estos métodos, por favor contacte al Representante de Atención al Cliente en su área usando la información de contacto en nuestro sitio web. Conéctese a www.weber.com .		

RESOLUCIÓN DE PROBLEMAS CON EL ESTACIÓN DE DORADO SEAR STATION

PROBLEMA	REVISAR	SOLUCIÓN
<p>Los quemadores están quemando con una llama amarilla o anaranjada, conjuntamente con un olor a gas (esto es normal para el tubo de encendido del quemador).</p> <p>El quemador de la estación de dorado SEAR STATION no se enciende.</p>	Revise que no haya obstrucciones en la malla contra arañas e insectos. (Taponamiento de orificios.)	Limpie las mallas contra arañas e insectos. (Vea la sección: "MANTENIMIENTO ANUAL.")
	¿Encendió usted los dos quemadores principales adyacentes? (Consulte "ENCENDIDO Y USO DE LA ESTACIÓN DE DORADO SEAR STATION.")	Confirme visualmente la presencia de llamas que indiquen que los quemadores principales adyacentes se han encendido. ⚠ ADVERTENCIA: Si no se encendiese en cinco segundos, apague el control del quemador (posición OFF), y espere cinco minutos para que el gas se despeje antes de intentarlo de nuevo.
	¿Se enciende el quemador con un cerillo?	Si puede encender el quemador con un cerillo, entonces revise el Canal CROSSOVER en el quemador para dorar. Consulte la sección de "MANTENIMIENTO" sobre cómo retirar el quemador y cual es el procedimiento de limpieza.
	¿Funciona el encendedor? (¿Observa una chispa cuando acciona repetidamente al encendedor?)	Trate de encender manualmente el quemador (consulte "ENCENDIDO DE LA ESTACIÓN DE DORADO SEAR STATION"). Llame a Atención al Cliente.
<p>Síntomas generales:</p> <p>El quemador no se enciende. O El quemador presenta un llama pequeña y parpadeante.</p>	Puede haberse activado el dispositivo de seguridad contra el caudal excesivo, el cual es parte de la conexión del asador al cilindro.	Para restablecer el dispositivo de seguridad contra el caudal excesivo gire todos las perillas de control del quemador a la posición APAGADAS y cierre la válvula del cilindro. Desconecte el regulador del cilindro. Gire la perilla de control a la posición ENCENDIDO/FUEGO ALTO. Espere por lo menos un minuto. Gire las perillas de control a la posición APAGADAS. Vuelva a conectar el regulador del cilindro. Abra la válvula del cilindro lentamente. Consulte "MAIN BURNER IGNITION ENCENDIDO DEL QUEMADOR PRINCIPAL."
<p>Si los problemas no pueden corregirse usando cualquiera de estos métodos, por favor contacte al Representante de Atención al Cliente en su área usando la información de contacto en nuestro sitio web. Conéctese a www.weber.com.</p>		

RESOLUCIÓN DE PROBLEMAS CON EL ASADOR GIRATORIO

PROBLEMA	REVISAR	SOLUCIÓN
<p>El quemador del asador giratorio no se enciende.</p>	¿Mantuvo usted presionada la perilla de control del quemador hasta encenderse y luego durante 20 segundos después de haberse encendido?	Trate de volver a encender el quemador manteniendo presionada la perilla de control del quemador hasta encenderse y manteniéndola presionada hasta 20 segundos después de haberse encendido.
	¿Esperó usted hasta ver que toda la superficie de cerámica se encendiera antes de empezar a contar los 20 segundos?	Cuando vuelva a encender el quemador manteniendo presionada la perilla de control del mismo, espere a que vea la superficie de cerámica entera encendida antes de empezar a contar los 20 segundos.
	¿Usó repetidamente el encendedor rápido hasta que el encendedor se prendiese?	Después de esperar cinco minutos para que se disipe el gas, trate de usar repetidamente el encendedor rápido hasta que el quemador de encienda. Consulte el "ENCENDIDO Y USO DEL QUEMADOR DEL ASADOR GIRATORIO."
	¿Funciona el encendedor? (¿Ve una chispa cuando usa repetidas veces el encendedor rápido?)	Intente encender el quemador manualmente (consulte "ENCENDIDO MANUAL DEL QUEMADOR DEL ASADOR GIRATORIO"). Llame a Atención al Cliente.
<p>Síntomas generales:</p> <p>El quemador no se enciende. O El quemador presenta una llama pequeña y parpadeante.</p>	Puede haberse activado el dispositivo de seguridad de caudal excesivo, el cual es parte de la conexión de la barbacoa al cilindro.	Para restablecer el dispositivo de seguridad de caudal excesivo gire todas las perillas de control de los quemadores a la posición APAGADAS y cierra la válvula del cilindro. Desconecte el regulador del cilindro. Gire la perilla de control a la posición ENCENDIDO/FUEGO ALTO. Espere por lo menos un minuto. Gire las perillas de control de los quemadores a la posición APAGADAS. Vuelva a conectar el regulador del cilindro. Lentamente abra la válvula del cilindro. Consulte "ENCENDIDO DEL QUEMADOR PRINCIPAL."
<p>Si los problemas no pueden corregirse usando cualquiera de estos métodos, por favor contacte al Representante de Atención al Cliente en su área usando la información de contacto en nuestro sitio web. Conéctese a www.weber.com.</p>		

RESOLUCIÓN DE PROBLEMAS DE LA LÁMPARA PARA BARBACOA

PROBLEMAS	SOLUCIONES
<p>La lámpara para barbacoa no se enciende.</p>	La lámpara para barbacoa se activará sólo cuando la tapa esté abierta. Levante la tapa completamente para abrirla y oprima el botón ENCENDER.
	Instale pilas nuevas. Al instalar pilas nuevas (alcalinas únicamente), asegúrese de quitar el envoltorio de plástico de cada una de ellas. Asegúrese de que las pilas estén en buen estado y se hayan instalado correctamente. Consulte "MANTENIMIENTO DE LA LÁMPARA PARA BARBACOA."
<p>La lámpara para barbacoa se ha apagado y no vuelve encenderse.</p>	La lámpara está programada para apagarse automáticamente después de 30 minutos de inactividad. Para volver a activar la lámpara, puse el botón ENCENDER. Consulte "MANTENIMIENTO DE LA LÁMPARA PARA BARBACOA."
<p>La lámpara para barbacoa no se apaga.</p>	La lámpara para barbacoa está equipada con un sensor de inclinación. El sensor de inclinación ENCIENDE la lámpara cuando se abre la tapa de la barbacoa y la APAGA al cerrarla. NOTA: el botón ENCENDER no apagará la lámpara para barbacoa. Para apagar la lámpara, cierre la tapa.
<p>Si no puede solucionar los problemas siguiendo estas indicaciones, póngase en contacto con el representante de servicio de atención al cliente de su zona usando la información de contacto en nuestro sitio web. Visite a www.weber.com.</p>	

LIMPIEZA

⚠ ADVERTENCIA: Apague la barbacoa de gas WEBER y espere a que se enfríe antes de limpiarla.

Superficies externas — Utilice una solución de agua jabonosa tibia para limpiarlas y luego enjuáguelas con agua.

⚠ PRECAUCIÓN: Sobre la superficie de la barbacoa o del carro no utilice limpiadores de horno, limpiadores abrasivos (limpiadores de cocinas), limpiadores que contengan productos cítricos, o almohadillas de limpieza abrasivas.

Bandeja corrediza recolectora de grasa — Retire el exceso de grasa, luego lávela con agua jabonosa tibia y finalmente enjuáguela.

⚠ PRECAUCIÓN: No forre la bandeja corrediza recolectora de grasa con papel aluminio.

Barras FLAVORIZER y rejillas de cocción — Límpielas con un cepillo de cerdas de acero inoxidable adecuado. Según se requiera, retírela de la barbacoa y lávela con agua jabonosa tibia y luego enjuáguela con agua.

⚠ PRECAUCIÓN: Los cepillos para parrillas se deben revisar con regularidad para asegurarse de que no tengan cerdas sueltas ni excesivo desgaste. Reemplace el cepillo si se consiguen cerdas sueltas en las parrillas de cocción o en el cepillo en sí. WEBER recomienda comprar un nuevo cepillo de acero inoxidable para parrillas al inicio de cada primavera.

⚠ PRECAUCIÓN: No limpie las barras FLAVORIZER o las parrillas de cocción en un horno autolimpiante.

Para averiguar donde comprar las parrillas de cocción y las barras FLAVORIZER de reemplazo, contacte al Representante de Atención al Cliente en su área usando la información de contacto en nuestro sitio web. Conéctese a www.weber.com.

Plato recolector — Compruebe que no haya acumulación de grasa en la bandeja recogedora de aluminio siempre que utilice la barbacoa. Elimine el exceso de grasa con un raspador de plástico. Lave la bandeja recogedora de aluminio con agua jabonosa caliente y aclare con agua. Hay bandejas recogedoras de gotas de aluminio desechables que se adaptan a la bandeja recogedora.

Termómetro — Pásele un trapo con agua tibia jabonosa, y límpielo con una pelota plástica de fregar.

Caja de cocción — Quite cualquier resto de los tubos del quemador. NO AGRANDE LAS ABERTURAS DE LOS QUEMADORES. Lave la parte interior de la caja de cocción con agua jabonosa y luego enjuáguela con agua.

Tapa interna — Mientras la tapa esté tibia, limpie la parte interna con una toalla de papel para prevenir la acumulación de grasa. La grasa acumulada escamada se asemeja a las escamas de pintura.

Superficies de acero inoxidable — Lávelas con un paño suave y una solución de agua y jabón. Tenga cuidado de fregarlas en la dirección del grano del acero inoxidable.

No utilice limpiadores que contengan ácido, destilado de petróleo, o xileno. Enjuáguelas bien después de lavarlas.

Preserve su acero inoxidable — La barbacoa o su gabinete, tapa, panel de control y estantes pudieran estar hechos de acero inoxidable. Es sencillo mantener vistoso al acero inoxidable. Límpielo con agua y jabón, enjuáguelo con agua limpia, y séquelo con un trapo. Para partículas difíciles de sacar, se puede usar un cepillo no metálico.

⚠ IMPORTANTE: No utilice cepillos de alambre o limpiadores abrasivos sobre las superficies de acero inoxidable ya que las rayarán.

⚠ IMPORTANTE: Al limpiar las superficies asegúrese de frotar/restregar en la dirección del grano para preservar la vistosidad del acero inoxidable. ♦

MALLAS WEBER CONTRA ARAÑAS E INSECTOS

La barbacoa de gas WEBER, al igual que cualquier otro aparato de gas al aire libre, es un blanco para las arañas y demás insectos. Pueden crear sus nidos en la sección del venturi (1) del tubo quemador. Esto bloquea el flujo normal de gas, y puede causar que el gas fluya hacia atrás por la válvula de aire de combustión. Esto puede resultar en un fuego en y alrededor de las aberturas para el aire de combustión, causando un daño serio a la barbacoa.

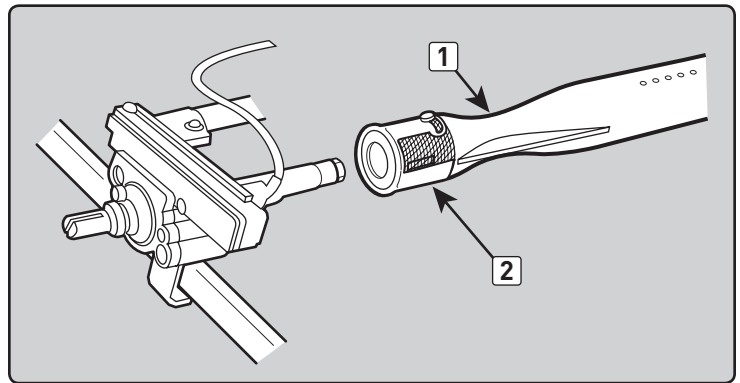
La compuerta de cierre del aire del tubo quemador está equipada con una malla (2) de acero inoxidable para prevenir la entrada de arañas e insectos a los tubos quemadores a través de las aberturas para el aire de combustión.

Le recomendamos que inspeccione las mallas contra arañas e insectos por lo menos una vez al año (vea "MANTENIMIENTO ANUAL"). También, inspeccione y limpie dichas mallas si cualquiera de los siguientes síntomas se presentase:

- A) Huele a gas conjuntamente con llamas del quemador con una apariencia amarilla y floja.
- B) La barbacoa no alcanza la temperatura de funcionamiento.
- C) La barbacoa se calienta de manera dispareja.
- D) Uno o más quemadores no se encienden.

⚠ PELIGRO

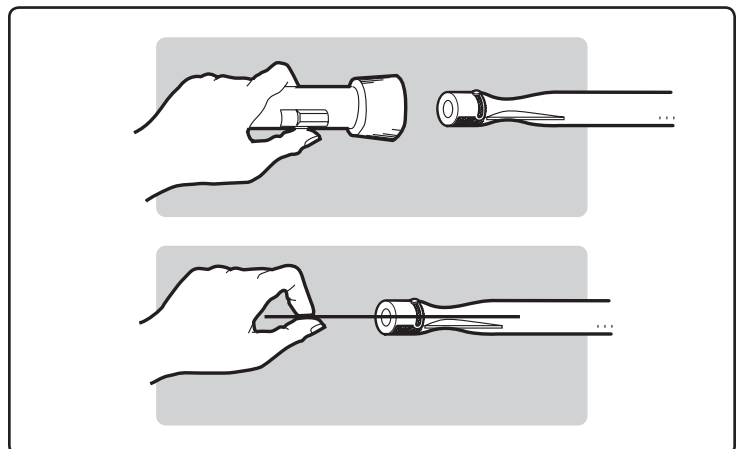
El no corregir estos síntomas pudiera resultar en un fuego que puede causar lesiones corporales serias o la muerte y daños a la propiedad. ♦



LIMPIEZA DE TUBO DE QUEMADOR

- A) Cierre el suministro de gas.
- B) Retire el múltiple (vea "REEMPLACE LOS QUEMADORES PRINCIPALES").
- C) Revise la parte interna de cada quemador con una linterna.
- D) Limpie la parte interna de los quemadores con un alambre (un colgador de ropa enderezado funcionará bien). Revise y limpie la abertura de las compuertas de cierre del aire en los extremos de los quemadores. Revise y limpie los orificios de las válvulas en la base de las válvulas. Utilice un cepillo de cerdas de acero para limpiar la parte externa de los quemadores. Esto se hace para asegurarse de que las aberturas de los quemadores estén completamente abiertas.

⚠ PRECAUCIÓN: Al limpiar, no agrande las aberturas del quemador. ♦



REEMPLAZO DE LOS QUEMADORES PRINCIPALES

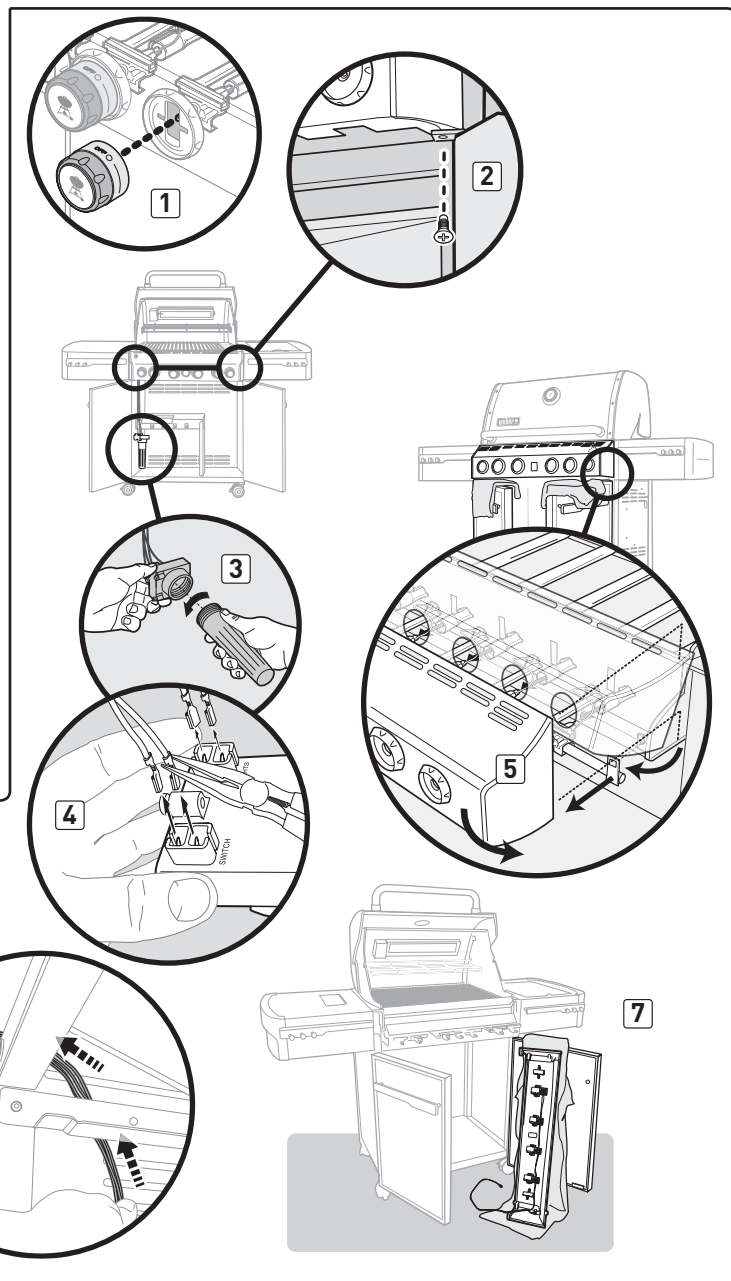
Nota: La parrilla de gas SUMMIT debe estar apagada y enfriada.

- A) Cierre el gas en la fuente.
- B) Desconecte el suministro de gas.
- C) Retire las parrillas de cocción.
- D) Retire las barras FLAVORIZER.
- E) Retire la caja del ahumador (si se incluye con su modelo).

Retire el panel de control

Herramientas requeridas: Destornillador, alicates y toallas.

- A) Retire las perillas de control de los quemadores **(1)**.
- B) Abra ambas puertas. Con un destornillador, retire los tornillos de la parte inferior del panel de control **(2)**.
- C) Levante y retire el compartimiento de la batería situado dentro del gabinete de la barbacoa **(3)**.
- D) Utilizando pinzas de punta, desconecte los terminales de los cables de la parte superior del compartimiento de la batería. **(4). No tire de los cables; retírelos tirando de los terminales de los cables.**
- E) Coloque toallas en la parte superior de los ensamblajes de las dos puertas. **Esto protegerá el panel de control y los ensamblajes de las puertas contra rayones en el siguiente paso.**
- F) Inclíne la parte inferior del panel de control hacia adelante. Levántelo ligeramente **(5)** y luego gírelo boca abajo para dejarlo apoyado sobre la parte superior de los ensamblajes de las puertas. **(Tenga cuidado de no romper o desconectar los cables de los LED del panel de control.)**
- G) Con cuidado, tire de los cables de la batería desde el interior de la cabina de la barbacoa **(6)**.
- H) Abra completamente la puerta derecha. Coloque el panel de control en el suelo, apoyado contra la toalla que cubre el ensamblaje de la puerta derecha **(7)**.

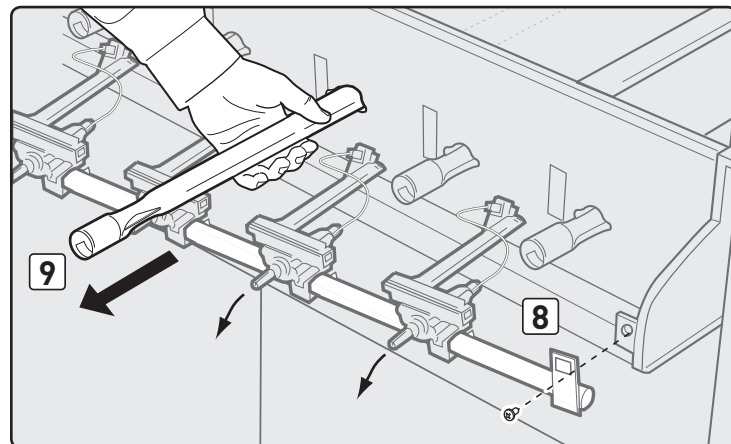


Los asadores que se ilustran en este Manual del Propietario pueden variar ligeramente con respecto al modelo comprado.

Retire los tubos de los quemadores

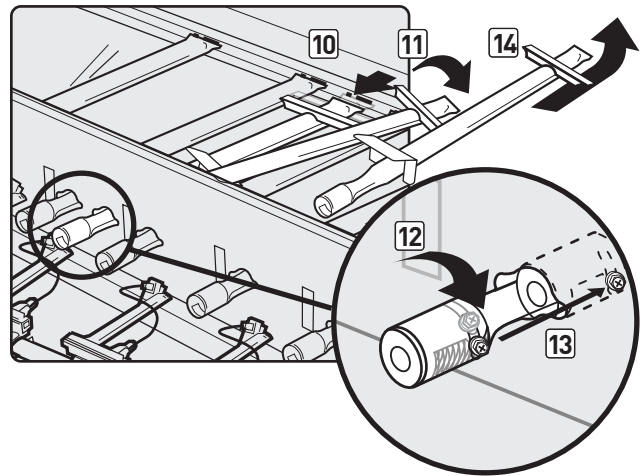
Herramientas requeridas: Destornilladores hembra de 3/8".

- A) Con un destornillador hembra de 3/8", retire los tornillos que fijan el ensamblaje del múltiple a la caja de cocción. Hale el ensamblaje del múltiple fuera de los tubos del quemador y deje que cuelgue libremente del gabinete de la barbacoa **(8)**. **No desconecte el cable azul del lado izquierdo del conjunto del múltiple.**
- B) Tire del tubo del quemador o de los quemadores seleccionados por la parte delantera de la caja de cocción y reemplácelo(s) por tubo(s) quemador(es) nuevo(s) **(9)**.



Retire el quemador de la estación para dorar SEAR STATION

Para sacar el quemador de la estación para dorar SEAR STATION, tire del tubo del quemador hacia usted. Esto lo saca de la muesca del tubo del quemador (10). A continuación, gire el tubo en dirección de las agujas del reloj (11), de modo que el tornillo en el extremo del tubo (12) encaje a través de la muesca en la abertura de la pantalla contra el calor (13). Cuando el tubo quemador quede libre, retírelo de la caja de cocción (14).



Vuelva a instalar el múltiple

A) Para volver a instalar el conjunto del múltiple, invierta los pasos para "Retire los tubos de los quemadores" como se describió previamente.

⚠ PRECAUCIÓN: Las aberturas de los quemadores (15) deberán posicionarse correctamente sobre los orificios de las válvulas (16). Asegúrese de que los extremos opuestos de los tubos de los quemadores (17) se alineen correctamente en las ranuras en la parte trasera de la caja de cocción. Antes de atornillar el múltiple en su sitio, verifique que esté correctamente ensamblado.

⚠ ADVERTENCIA: Cada vez que desconecte y vuelva a conectar una conexión de gas, deberá verificar que no haya fugas de gas. Consulte "REVISIONES PARA DETECTAR FUGAS DE GAS."

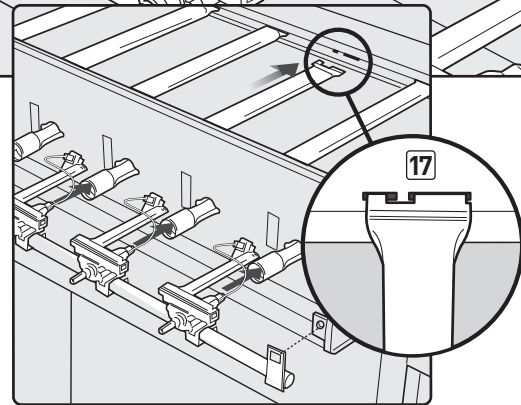
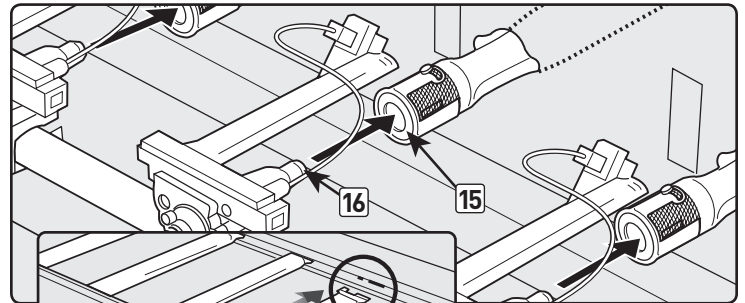
B) Reemplace los componentes de la caja de cocción (no ilustrados).

Vuelva a instalar el panel de control

A) Para volver a instalar el conjunto del panel de control, invierta los pasos para "Retire el panel de control," como se ha descrito previamente.

B) Verifique que las conexiones de los cables sean correctas. Consulte "ILUMINACIÓN."

⚠ ADVERTENCIA: Asegúrese de que todas las piezas estén ensambladas y que todos los herrajes estén completamente apretados antes de operar la barbacoa. Si no llegase a acatar esta advertencia, sus acciones podrían causar un fuego, una explosión o una falla estructural que podrían resultar en lesiones corporales graves o la muerte o daños materiales. ♦



MANTENIMIENTO DEL QUEMADOR LATERAL

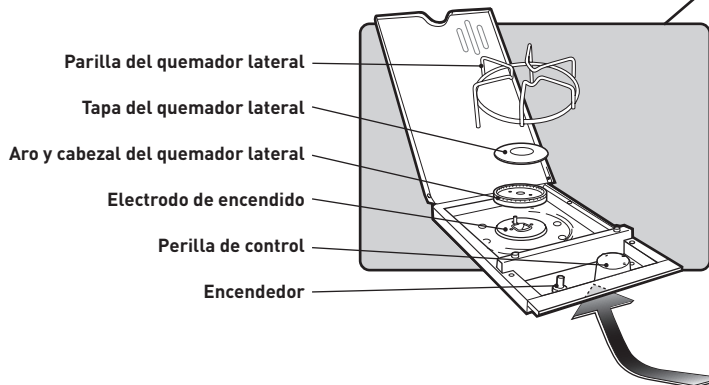
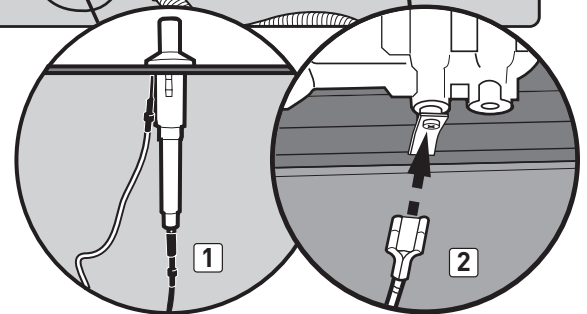
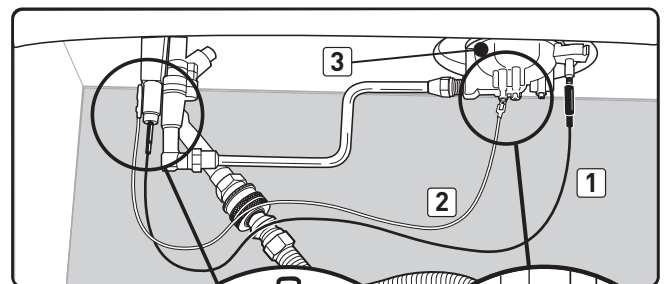
⚠ ADVERTENCIA: Todos los controles y válvulas de suministro de gas deberán estar cerrados en la posición APAGADO.

Asegúrese de que el cable negro esté conectado entre el encendedor y el electrodo.

Asegúrese de que el cable blanco esté conectado entre el encendedor y el clip de conexión a tierra.

La chispa deberá ser de color blanco/azul, no amarilla.

- A) Cable de encendido (1)
- B) Cable de conexión a tierra (2)
- C) Quemador (3) ♦



Parilla del quemador lateral

Tapa del quemador lateral

Aro y cabezal del quemador lateral

Electrodo de encendido

Perilla de control

Encendedor

MANTENIMIENTO ANUAL

Inspección y Limpieza de la Malla contra Arañas y Demás Insectos

Para inspeccionar la malla contra arañas y demás insectos, retire el panel de control. Si hubiese polvo o sucio sobre las mallas, retire los quemadores para limpiar las mallas.

Con un cepillo de cerdas suaves (p.ej.: un cepillo de dientes viejo), cepille suavemente la malla contra arañas y demás insectos.

⚠ PRECAUCIÓN: No limpie las mallas contra arañas y demás insectos con herramientas duras o afiladas. No las desmonte ni agrande los orificios de las mismas.

Golpee ligeramente el quemador para sacar la basura y suciedad fuera del tubo quemador. Una vez limpios, vuelva a colocar las mallas y quemadores en su sitio.

Si la malla contra arañas y demás insectos se dañase o no pudiese limpiarse, por favor póngase en contacto con el Representante de Servicios al Cliente de su zona, cuya datos de contacto encontrará en nuestro sitio en la Internet. Conéctese a www.weber.com.

Patrón de la Llama del Quemador

Los quemadores de la barbacoa de gas WEBER han sido ajustados en la fábrica para que les entre la mezcla correcta de aire y gas. El patrón de llama correcto se muestra en la ilustración y se describe a continuación:

- A) Tubo quemador (1)
- B) Las puntas ocasionalmente titilarán con un color amarillo (2)
- C) Azul claro (3)
- D) Azul oscuro (4)

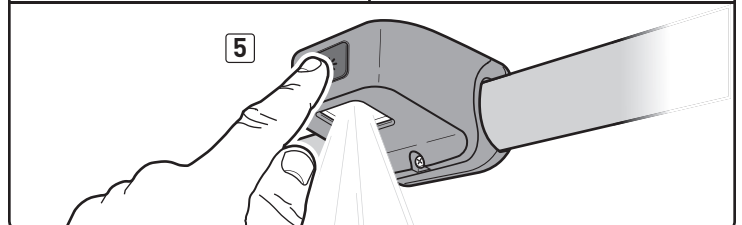
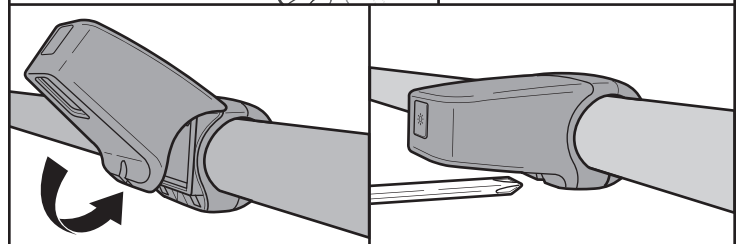
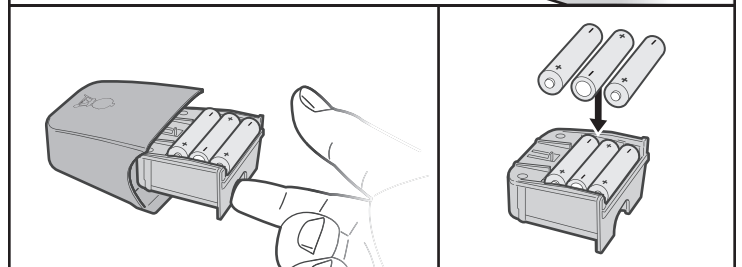
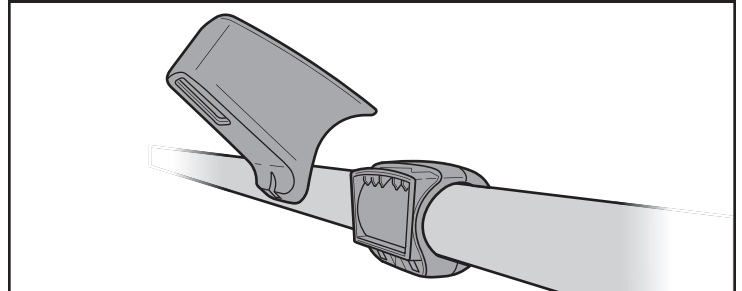
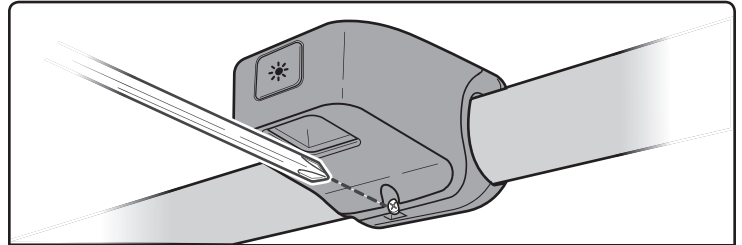
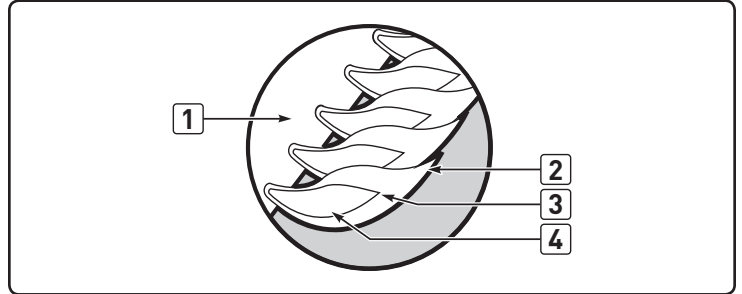
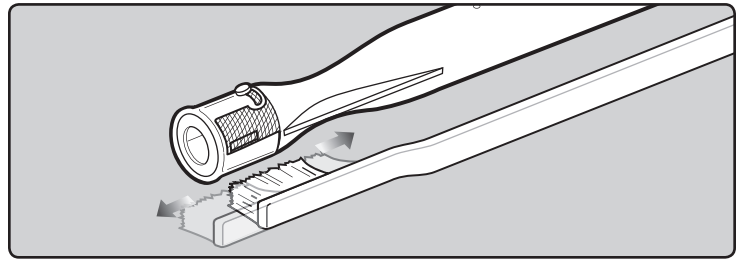
Si las llamas no se presentan de manera uniforme a lo largo del tubo quemador, siga las instrucciones de limpieza del quemador. ♦

MANTENIMIENTO DE LA LÁMPARA PARA BARBACOA

- Al instalar tres pilas AAA nuevas (alcalinas únicamente), asegúrese de quitar el envoltorio de plástico de cada una de ellas. No confunda este plástico con la etiqueta de las pilas.
- No combine pilas nuevas con usadas ni pilas de distinto tipo (convencionales, alcalinas o recargables).
- Asegúrese de que las pilas estén en buen estado y se hayan instalado correctamente.
- Si no prevé utilizar la lámpara durante un mes o más, quite las pilas.
- Limpie la lámpara con un paño húmedo únicamente. No utilice productos con alcohol ni materiales abrasivos para su limpieza.
- La lámpara es resistente a la lluvia y la nieve, pero no es sumergible. No la sumerja en agua ni otros líquidos.
- La lámpara es resistente al calor. Las llamas provocadas por grasa o mantener la barbacoa a temperatura alta durante demasiado tiempo podrían dañar los componentes internos.

Pulse el botón ENCENDER para activar la lámpara para barbacoa. La lámpara dispone de un sensor de inclinación que hará que ésta se encienda cuando se abra la tapa de la barbacoa y que se apague al cerrarla. Si la tapa se deja abierta o cerrada más de 30 minutos, la lámpara se desactivará. Para volver a encender la lámpara, pulse el botón ENCENDER (5).

NOTA: la lámpara NO SE APAGA al pulsar el botón ENCENDER. ♦



APÉNDICE A LA GUÍA DEL PROPIETARIO DEL ASADOR A GAS

El apéndice se aplica solo a los clientes en México. Para efectos de esta guía de propietario, el término “Barbacoa,” se refiere a un asador de gas.

Debe leer esta guía del propietario antes de poner a funcionar el asador de gas.

⚠ PELIGRO:

Si huele a gas:

- 1) Cierre el suministro de gas al artefacto.
- 2) Apague todas las flamas cerrando la válvula general de paso.
- 3) Abra la tapa.
- 4) No accione interruptores eléctricos.
- 5) Llame inmediatamente a la central de fugas o a su proveedor de gas.
- 6) Una fuga de gas puede provocar un incendio o explosión que puede resultar en lesiones corporales serias o la muerte, o daños a la propiedad.

⚠ ADVERTENCIA:

- No almacene gasolina u otros fluidos inflamables en la cercanía de su aparato.
- Ningún cilindro de gas que no esté conectado para su uso deberá almacenarse cerca de éste o cualquier otro artefacto doméstico.
- No obstruir la salida de los gases de combustión del asador.
- No debe utilizarse como calefactor de ambiente.
- Mantener los alrededores del aparato libres de materiales combustibles, gasolina y otros vapores o líquidos inflamables.

⚠ ADVERTENCIA:

Este aparato no debe ser utilizado como calentador de ambiente, sólo se debe utilizar para cocinar alimentos.

⚠ ADVERTENCIA:

Estos productos trabajan a una presión de 2,75 kPa.

SUMMIT E-420; SUMMIT S-420	SUMMIT E-620; SUMMIT S-620
4 Quemadores Principales de: 12 872 kJ/h	6 Quemadores Principales de: 10 551 kJ/h
1 Quemador Lateral de: 12 661 kJ/h	1 Quemador Lateral de: 12 661 kJ/h
SUMMIT S-460; SUMMIT E-470; SUMMIT S-470	SUMMIT S-660; SUMMIT E-670; SUMMIT S-670
4 Quemadores Principales de: 12 872 kJ/h	6 Quemadores Principales de: 10 551 kJ/h
1 Quemador Sellador de: 11 184 kJ/h	1 Quemador Sellador de: 11 184 kJ/h
1 Quemador IR para Rostizar de: 11 184 kJ/h	1 Quemador IR para Rostizar de: 11 184 kJ/h
1 Quemador Ahumador de: 7 174 kJ/h	1 Quemador Ahumador de: 7 174 kJ/h
1 Quemador Lateral de: 12 661 kJ/h	1 Quemador Lateral de: 12 661 kJ/h





SUMMIT

GUIDE DU PROPRIÉTAIRE DU BARBECUE

ENREGISTRER VOTRE BARBECUE

Merci d'avoir acheté un barbecue WEBER. Prenez quelques minutes pour protéger votre investissement en enregistrant votre barbecue en ligne sur www.weber.com. Utilisez le numéro de série présent sur la page de couverture de ce guide du propriétaire.



E-470 · S-470

LP

**VOUS DEVEZ LIRE CE MODE D'EMPLOI AVANT
D'UTILISER VOTRE GRILL A GAZ.**

⚠ DANGER

S'il y a une odeur de gaz :

- 1) Coupez l'admission de gaz de l'appareil.
- 2) Éteindre toute flamme nue.
- 3) Ouvrir le couvercle.
- 4) Si l'odeur persiste, éloignez-vous de l'appareil et appelez immédiatement le fournisseur de gaz ou le service d'incendie.

Une fuite de gaz risque de provoquer un incendie ou une explosion susceptible d'occasionner des blessures graves, voire mortelles, ou des dégâts matériels.

Suivez toutes les procédures de détection des fuites de ce manuel avec soin avant d'utiliser le barbecue. Faites-le même si le barbecue a été assemblé par le revendeur.

⚠ AVERTISSEMENT

- 1) Ne pas entreposer ni utiliser de l'essence ni d'autres vapeurs ou liquides inflammables dans le voisinage de l'appareil, ni de tout autre appareil.
- 2) Une bouteille de propane qui n'est pas raccordée en vue de son utilisation, ne doit pas être entreposée dans le voisinage de cet appareil ou de tout autre appareil.

N'allumez pas cet appareil sans lire d'abord les sections traitant de L'ALLUMAGE DU BRULEUR de ce manuel.

**CET APPAREIL A GAZ EST
CONCU POUR UNE UTILISATION
À L'EXTERIEUR UNIQUEMENT.**

**NOTE A L'INTENTION DE
L'INSTALLATEUR :** les présentes instructions doivent être remises au propriétaire et le propriétaire devrait les conserver pour les utiliser plus tard.



⚠ DANGER

Le non respect des consignes intitulées Danger, Mise en garde et Attention contenues dans le présent Mode d'emploi peut entraîner une blessure grave ou la mort, ou un incendie ou une explosion provoquant des dommages à la propriété.

⚠ MISES EN GARDE

- ⚠ Ne stockez pas de bouteille de gaz propane liquide de rechange ou de bouteille de gaz propane liquide débranchée au-dessous ou à proximité de ce barbecue.
- ⚠ Un mauvais montage peut se révéler dangereux. Veuillez suivre les instructions de montage avec soin.
- ⚠ Après une période de stockage et/ou d'inutilisation, le barbecue à gaz WEBER devrait faire l'objet d'une vérification visant à détecter toute fuite et toute obstruction des brûleurs avant toute utilisation. Voir les instructions de ce manuel pour les procédures correctes.
- ⚠ N'utilisez pas le barbecue à gaz WEBER en cas de fuite.
- ⚠ N'utilisez pas de flamme pour détecter les fuites de gaz.
- ⚠ Aucune matière inflammable ne devrait jamais se trouver dans un rayon de 24 pouces par rapport à l'arrière ou aux côtés de votre barbecue à gaz WEBER.
- ⚠ Ne placez pas de bâche de protection de barbecue ni aucune matière inflammable sur la barbecue ou dans la zone de stockage au-dessous du barbecue.
- ⚠ Votre barbecue à gaz WEBER ne devrait jamais être utilisé par des enfants. Les pièces accessibles du barbecue peuvent atteindre une température très élevée. Maintenez les jeunes enfants à l'écart pendant son utilisation.
- ⚠ Vous devriez faire preuve d'une prudence raisonnable lorsque vous utilisez votre barbecue à gaz WEBER. Celui-ci sera très chaud pendant la cuisson ou le nettoyage et ne devrait jamais être laissé sans surveillance ni déplacé pendant son utilisation.
- ⚠ Si les brûleurs s'éteignent pendant l'utilisation, fermez toutes les valves de gaz. Ouvrez le couvercle puis patientez cinq minutes avant d'essayer de rallumer les brûleurs, en utilisant les instructions pour l'allumage.
- ⚠ N'utilisez pas de charbon de bois ni de pierres de lave dans votre barbecue à gaz WEBER.
- ⚠ Ne vous penchez jamais au-dessus du grill ouvert ou ne placez jamais les mains ou les doigts sur l'extrémité avant du boîtier de cuisson.
- ⚠ Si un feu de graisse se produisait, fermez tous les brûleurs et laissez le couvercle fermé jusqu'à ce que le feu s'éteigne.
- ⚠ N'élargissez pas les orifices des valves ou les ports des brûleurs lorsque vous nettoyez les valves ou les brûleurs.
- ⚠ Le barbecue à gaz WEBER devrait être nettoyé méticuleusement de façon régulière.
- ⚠ Le gaz propane liquide n'est pas du gaz naturel. La conversion ou la tentative d'utilisation de gaz naturel dans un appareil à propane liquide ou de gaz propane liquide dans un appareil à gaz naturel est dangereuse et annulera votre garantie.
- ⚠ Ne tentez pas de déconnecter un raccord de gaz pendant que votre barbecue est en fonctionnement.

- ⚠ Utilisez des gants pour barbecue résistants à la chaleur lorsque vous utilisez le barbecue.
- ⚠ Maintenez tout cordon électrique d'alimentation ainsi que le tuyau d'alimentation en combustible à l'écart de toute surface chauffée.
- ⚠ Les dérivés de combustion générés lors de l'utilisation de ce produit contiennent des agents chimiques reconnus par l'Etat de Californie comme provoquant des cancers, des anomalies congénitales ou d'autres troubles de la reproduction.
- ⚠ N'utilisez ce barbecue que si toutes les pièces sont en place. Cet appareil doit être correctement assemblé conformément aux instructions de montage.
- ⚠ N'intégrez pas ce modèle de grill à n'importe quelle construction encastrée ou à glissière. Le non respect de cet Avertissement risque de provoquer un incendie ou une explosion susceptible de provoquer des dégâts matériels ainsi que des blessures graves voire un décès.
- ⚠ Proposition 65 Mise en garde : La manipulation du matériau en cuivre contenu dans ce produit vous expose au plomb, agent chimique reconnu par l'état de Californie comme étant à l'origine de cancers, d'anomalies congénitales ou d'autres troubles de la reproduction.
(Lavez-vous les mains après avoir manipulé ce produit.) ♦

APPAREILS A GAZ PROPANE UNIQUEMENT:

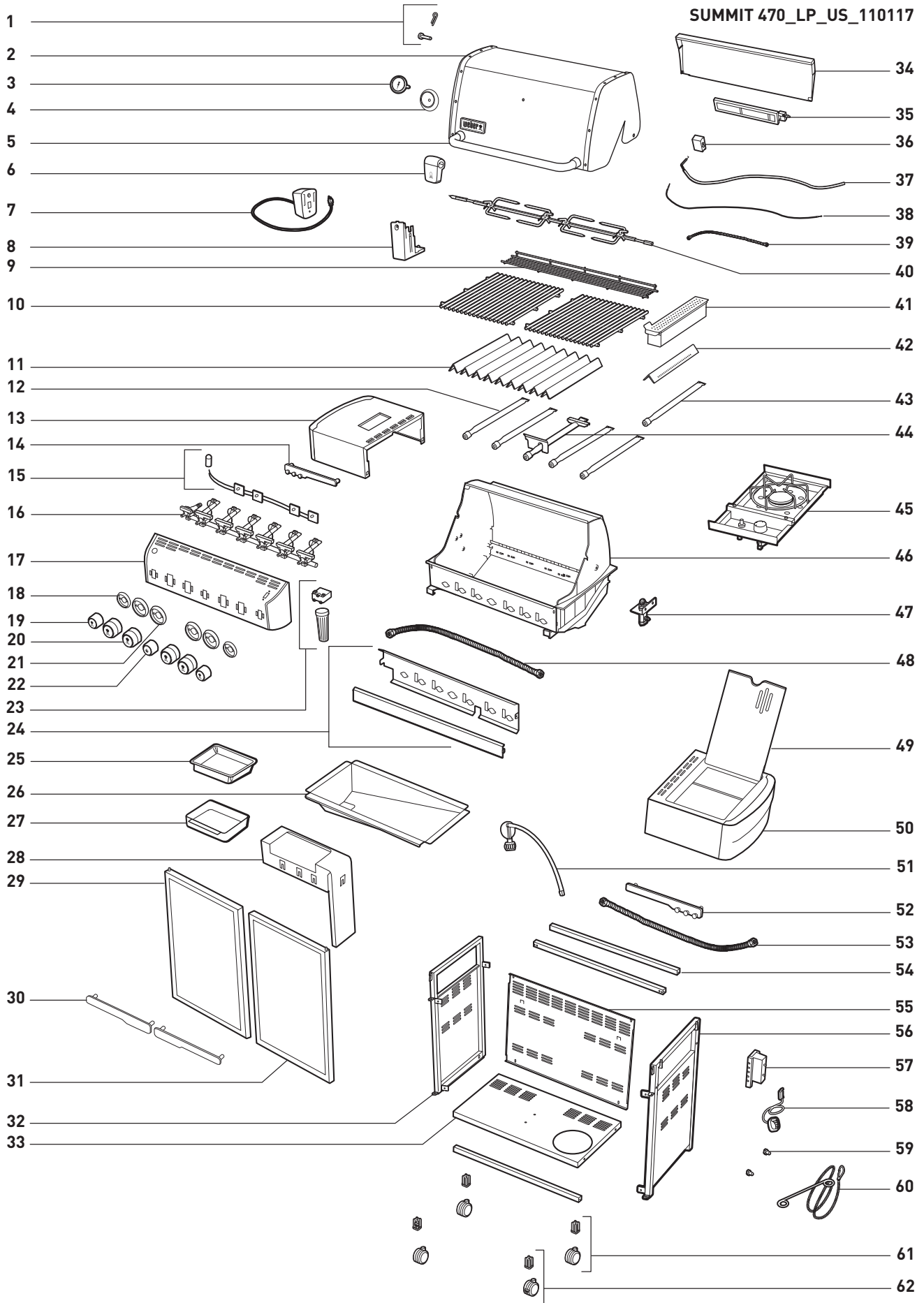
- ⚠ Utilisez l'ensemble régulateur de pression et tuyau fourni avec votre barbecue à gaz WEBER.
- ⚠ Ne tentez pas de déconnecter l'ensemble régulateur et tuyau de gaz ni tout autre raccord de gaz pendant que vous utilisez votre barbecue.
- ⚠ L'utilisation d'une bouteille de gaz propane liquide comportant une bosse ou d'une bouteille rouillée peut être dangereuse et une telle bouteille devrait être vérifiée par votre fournisseur de propane. N'utilisez pas une bouteille de propane liquide dont la valve est détériorée.
- ⚠ Bien que votre bouteille de propane liquide puisse sembler vide, il est possible qu'elle contienne encore du gaz, et la bouteille devrait être transportée et stockée en conséquence.
- ⚠ Si vous voyez, sentez ou entendez du gaz s'échapper de la bouteille de propane liquide:
 1. Eloignez-vous de la bouteille de propane liquide.
 2. Ne tentez pas de corriger le problème vous-même.
 3. Appelez votre service incendie. ♦

TABLE DES MATIERES

MISES EN GARDE	76	ALLUMAGE & UTILISATION DU BRULEUR LATERAL	94
TABLE DES MATIERES	77	ALLUMAGE DU BRULEUR LATERAL	94
VUE ECLATEE	78	POUR ETEINDRE	94
LISE DE LA VUE ECLATEE	79	ALLUMAGE MANUEL DU BRULEUR LATERAL	95
GARANTIE	80	POUR ETEINDRE	95
GENERALITES	81	ALLUMAGE & UTILISATION DE VOTRE SEAR STATION	96
INSTALLATION AU CANADA	81	ALLUMAGE DU BRULEUR SEAR STATION	96
UTILISATION	81	POUR ETEINDRE	96
STOCKAGE ET/OU INUTILISATION	81	ALLUMAGE MANUEL DU BRULEUR SEAR STATION	97
INSTRUCTIONS CONCERNANT LE GAZ	82	POUR ETEINDRE	97
ASTUCES POUR UNE MANIPULATION SANS DANGER DES BOUTEILLES DE GAZ PROPANE LIQUIDE	82	UTILISATION DU BRULEUR SEAR STATION	97
INFORMATIONS IMPORTANTES RELATIVES A LA BOUTEILLE DE PL	83	ALLUMAGE & UTILISATION DU BRULEUR DU FUMOIR	98
PREPARATION DE LA DETECTION DES FUITES	83	ALLUMAGE DU BRULEUR DU FUMOIR	98
DETECTION DES FUITES DE GAZ	85	POUR ETEINDRE	98
RECHARGEMENT DE LA BOUTEILLE DE PROPANE LIQUIDE	87	ALLUMAGE MANUEL DU BRULEUR DU FUMOIR	99
FONCTIONNALITES D'ÉCLAIRAGE	87	POUR ETEINDRE	99
FONCTIONNEMENT DE LA LAMPE DU BARBECUE	87	UTILISATION DU FUMOIR	100
BOUTONS DE COMMANDES ECLAIRES	87	NETTOYAGE DU FUMOIR	100
AVANT D'UTILISER LE GRILL	88	ALLUMAGE & UTILISATION DU BRULEUR DE LA ROTISSOIRE	101
NIVEAU DE COMBUSTIBLE	88	ALLUMAGE DU BRULEUR DE LA ROTISSOIRE	101
PLATEAU DE RECUPERATION DES GRAISSES AMOVIBLE ET EGOUTTOIR JETABLE	88	POUR ETEINDRE	101
INSPECTION DU TUYAU	88	ALLUMAGE MANUEL DU BRULEUR DE LA ROTISSOIRE	102
UTILISATION DE L'ALLUMAGE A DECLIC	89	POUR ETEINDRE	102
ALLUMAGE & UTILISATION DU BRULEUR PRINCIPAL	90	PRECAUTIONS DE SECURITE IMPORTANTES	103
ALLUMAGE DU BRULEUR PRINCIPAL	90	UTILISATION DE LA ROTISSOIRE	103
POUR ETEINDRE	90	CUISSON A LAIDE DE LA ROTISSOIRE	104
ALLUMAGE MANUEL DU BRULEUR PRINCIPAL	91	STOCKAGE DU MOTEUR DE LA ROTISSOIRE	104
POUR ETEINDRE	91	STOCKAGE DE LA BROCHE DE LA ROTISSOIRE	104
ASTUCES & CONSEILS UTILES POUR LES GRILLADES	92	RESOLUTION DES PROBLEMES	105
PRÉCHAUFFAGE	92	RESOLUTION DES PROBLEMES DU BRULEUR LATERAL	105
CUISSON COUVERTE	92	RESOLUTION DES PROBLEMES DE VOTRE SEAR STATION	106
ECOULEMENTS DE JUS ET DE GRAISSES	92	RESOLUTION DES PROBLEMES DE LA ROTISSOIRE	106
SYSTÈME FLAVORIZER	92	RESOLUTION DES PROBLEMES DE LA LAMPE DU BARBECUE	106
SEAR STATION	92	MAINTENANCE	107
METHODES DE CUISSON	93	NETTOYAGE	107
CUISSON DIRECTE	93	GRILLES ANTI-ARAIGNEES/INSECTES WEBER	107
CUISSON INDIRECTE	93	NETTOYAGE DE TUBE DE BRÛLEUR	107
		REPLACEMENT DES BRULEURS PRINCIPAUX	108
		MAINTENANCE DU BRULEUR LATERAL	109
		MAINTENANCE ANNUELLE	110
		ENTRETIEN DE LA LAMPE DU BARBECUE	110

VUE ECLATEE

SUMMIT 470_LP_US_110117



LISE DE LA VUE ECLATEE

- | | | |
|--|--|---|
| 1. Matériel du châssis | 22. Bouton SEAR STATION | 43. Brûleur du fumoir |
| 2. Châssis | 23. Logement des piles | 44. Brûleur SEAR STATION |
| 3. Thermomètre | 24. Déflecteur à eau/Protection anti-chaleur | 45. Brûleur latéral |
| 4. Bec du thermomètre | 25. Egouttoir jetable | 46. Boîtier de cuisson |
| 5. Poignée | 26. Plateau-égouttoir amovible | 47. Tête de brûleur |
| 6. Lampe du barbecue | 27. Egouttoir | 48. Tuyau du collecteur |
| 7. Moteur de la rôtissoire | 28. Support pour égouttoir | 49. Couvercle du brûleur latéral |
| 8. Support de la rôtissoire | 29. Porte gauche | 50. Tablette du brûleur latéral |
| 9. Grille de maintien au chaud | 30. Poignée de porte | 51. Tuyau/Régulateur |
| 10. Grille de cuisson | 31. Porte droite | 52. Porte-ustensiles de droite |
| 11. Barre FLAVORIZER | 32. Panneau du châssis gauche | 53. Tuyau du brûleur latéral |
| 12. Tube du brûleur | 33. Panneau inférieur | 54. Support du châssis |
| 13. Tablette latérale | 34. Cache du brûleur IR | 55. Panneau arrière |
| 14. Porte-ustensiles de gauche | 35. Brûleur à infrarouge | 56. Panneau du châssis droit |
| 15. Harnais de câblage du panneau de commandes | 36. Boîtier du brûleur IR | 57. Graduation de la bouteille |
| 16. Collecteur | 37. Câble de l'allumeur du brûleur IR | 58. Assemblage de la graduation LED de la bouteille |
| 17. Panneau de commandes | 38. Thermocouple | 59. Glissière de la bouteille |
| 18. Bec du petit bouton | 39. Tuyau du brûleur IR | 60. Porte-allumette |
| 19. Petit bouton | 40. Assemblage de la broche de la rôtissoire | 61. Roulette |
| 20. Grand bouton | 41. Boîtier du fumoir | 62. Roulette à verrouillage |
| 21. Bec du grand bouton | 42. Barre du fumoir | |

La promesse WEBER

Tout le monde à WEBER est fier de fabriquer des barbecues durables et d'offrir un excellent service à la clientèle.

Garantie

Merci d'avoir acheté un produit WEBER. Weber-Stephen Products LLC, 1415 S. Roselle Road, Palatine, Illinois 60067 et ses unités commerciales en Amérique (« WEBER ») sont fiers de vous offrir un produit fiable, durable et sécuritaire.

Cette garantie volontaire de la part de WEBER vous est offerte sans frais supplémentaires. Elle contient les renseignements dont vous aurez besoin pour faire réparer ou remplacer votre produit WEBER dans le cas improbable d'une défaillance ou d'un défaut.

En vertu des lois applicables, le propriétaire dispose de plusieurs droits en cas de défectuosité du produit. Parmi ces droits, notons le droit à un rendement supérieur ou au remplacement, une remise sur le prix d'achat et une compensation. Ces droits et les autres droits légaux ne sont pas affectés par cette disposition de garantie. En fait, la présente garantie accorde des droits supplémentaires au propriétaire, indépendamment des dispositions réglementaires de la garantie.

Garantie de WEBER

WEBER garantit à l'acheteur d'un produit WEBER (ou, s'il s'agit d'un cadeau ou d'une promotion, à la personne pour laquelle il a été acheté comme cadeau ou article promotionnel) (le « propriétaire »), que le produit est exempt de défauts de matériel et de main-d'œuvre pour dix (10) ans à compter de la date d'achat lorsqu'il est assemblé et utilisé conformément au manuel du propriétaire fourni, à l'exception de l'usure normale. (Remarque : Si vous perdez votre mode d'emploi WEBER, vous pouvez vous en procurer une copie en ligne sur www.weber.com.) En vertu de cette garantie, WEBER accepte de réparer ou remplacer la pièce défectueuse en raison d'un vice de matériaux ou de fabrication, soumis aux restrictions et exclusions applicables énumérées ci-dessous. **DANS LA MESURE AUTORISÉE PAR LA LOI APPLICABLE, CETTE GARANTIE N'EST ACCORDÉE QU'À L'ACHETEUR INITIAL ET N'EST PAS TRANSFÉRABLE AUX PROPRIÉTAIRES SUBSÉQUENTS, SAUF S'IL S'AGIT D'UN CADEAU OU ARTICLE PROMOTIONNEL, TEL QU'EXPLIQUÉ CI-DESSUS.**

WEBER est fier de ses produits et vous offre la garantie décrite pour les vices de matériaux sur la grille ou toutes ses composantes, à l'exception de l'usure normale.

- « L'usure normale » inclut la détérioration cosmétique ou toute autre détérioration découlant de l'utilisation de votre barbecue, tels que la rouille, les entailles et rayures, etc.

Cependant, WEBER honorera cette garantie pour le barbecue ou ses pièces lorsque le dommage ou le dysfonctionnement résulte d'un défaut matériel.

- Les « vices de matériaux » incluent la rouille ou la brûlure de certaines pièces, ou encore tout autre dommage ou toute autre défaillance pouvant affecter votre capacité à utiliser votre barbecue correctement ou en toute sécurité.

Responsabilités du propriétaire en vertu de la garantie et exclusions de la garantie

Pour éviter tout problème lié à la garantie, il est important (mais non obligatoire) d'enregistrer votre produit WEBER en ligne au www.weber.com.

Veillez également conserver votre facture d'achat. L'enregistrement de votre produit WEBER confirme la protection accordée par la garantie, permet d'accélérer toute réclamation en vertu de la garantie, et établit un lien direct entre vous et WEBER au cas où nous aurions à vous joindre. Si vous n'avez pas eu le temps d'enregistrer votre barbecue avant de communiquer avec le service de garantie, veuillez avoir sous la main les informations suivantes pendant votre appel : Nom – Adresse – Numéro de téléphone – Courriel – Numéro de série – Date d'achat – Vendeur autorisé – Modèle – Couleur – Principal Problème

La garantie ci-dessus s'applique uniquement si le propriétaire prend raisonnablement soin du produit WEBER en suivant les consignes d'assemblage, d'utilisation et d'entretien préventif dont il est fait mention dans le manuel du propriétaire, sauf si le propriétaire peut prouver que la défaillance ou le défaut est survenu indépendamment du non-respect des obligations mentionnées ci-dessus. Si vous vivez dans une zone côtière ou que votre produit est installé près d'une piscine, l'entretien inclut le nettoyage et le rinçage régulier des surfaces extérieures, tel qu'expliqué dans le mode d'emploi ci-joint.

Cette GARANTIE est annulée si les dommages, la détérioration, la décoloration et la rouille sont causés par :

- L'utilisation abusive, la modification, le mauvais usage, le vandalisme, la négligence, un assemblage ou une installation inadéquat (e) ou toute négligence concernant l'entretien régulier;
- Des insectes (comme des araignées) et rongeurs (comme des écureuils), comprenant, sans s'y limiter, tout dommage aux brûleurs ou conduites de gaz;
- L'exposition à l'air salin ou à des sources de chlore comme des piscines, jacuzzi et spas;
- Des conditions météorologiques extrêmes comme la grêle, un ouragan, un séisme, un tsunami, un raz-de-marée, une tornade ou un orage violent;
- Les pluies acides et d'autres facteurs environnementaux

En cas d'utilisation ou d'installation de pièces qui ne sont pas authentiques sur votre produit WEBER, cette garantie sera annulée par WEBER et aucun dommage résultant ne sera couvert par celle-ci. Toute conversion non autorisée d'un barbecue au gaz par WEBER et effectuée par un technicien autorisé par WEBER annulera cette garantie.

Traitement de la garantie

Si vous croyez qu'une pièce est couverte par cette garantie, veuillez contacter le service à la clientèle de WEBER dont les coordonnées sont affichées sur notre site web (www.weber.com). Après enquête, WEBER réparera ou remplacera (à sa discrétion) toute pièce défectueuse couverte par cette garantie. Si la réparation ou le remplacement est impossible, WEBER peut choisir (à sa discrétion) de remplacer le barbecue en question par un nouveau, de valeur égale ou supérieure. WEBER peut vous demander de retourner les pièces pour inspection. Les frais d'expédition doivent être prépayés par le propriétaire.

Veillez avoir à portée de main les renseignements suivants lorsque vous contactez le service à la clientèle : Nom – Adresse – Numéro de téléphone – Courriel – Numéro de série – Date d'achat – Vendeur autorisé – Modèle – Couleur – Principal Problème

Avis de non-responsabilité

OUTRE LA GARANTIE ET LES CLAUSES DE NON-RESPONSABILITÉ DÉCRITES DANS CETTE DÉCLARATION DE GARANTIE, IL N'EXISTE EXPLICITEMENT AUCUNE AUTRE GARANTIE OU DÉCLARATION VOLONTAIRE DE RESPONSABILITÉ FIGURANT ICI ALLANT AU-DELÀ DE LA RESPONSABILITÉ LÉGALE APPLICABLE À WEBER. LA PRÉSENTE DÉCLARATION DE GARANTIE NE LIMITE NI N'EXCLUT LES SITUATIONS OU REQUÊTES POUR LESQUELLES WEBER A UNE RESPONSABILITÉ OBLIGATOIRE EN VERTU DE LA LÉGISLATION.

AUCUNE GARANTIE NE S'APPLIQUERA APRÈS LA PÉRIODE DE DIX (10) ANS COUVERTE PAR CETTE GARANTIE. AUCUNE AUTRE GARANTIE ACCORDÉE PAR UN TIERS, Y COMPRIS UN DÉTAILLANT OU REVENDEUR, AU SUJET DE QUELQUE PRODUIT QUE CE SOIT (COMME UNE « EXTENSION DE GARANTIE »), N'ENGAGE WEBER. L'UNIQUE RECOURS EN VERTU DE CETTE GARANTIE EST LA RÉPARATION OU LE REMPLACEMENT DE LA PIÈCE OU DU PRODUIT.

LE RECOURVEMENT EN VERTU DE CETTE GARANTIE VOLONTAIRE NE SERA EN AUCUN CAS SUPÉRIEUR AU PRIX D'ACHAT DU PRODUIT WEBER VENDU.

VOUS DEVREZ ASSUMER LES RISQUES ET LA RESPONSABILITÉ EN CAS DE PERTE, DE DOMMAGE, OU DE BLESSURE OCCASIONNÉ(E) À VOUS ET VOS BIENS ET/OU À D'AUTRES ET LEURS BIENS EN RAISON D'UNE MAUVAISE UTILISATION OU D'UNE UTILISATION ABUSIVE DU PRODUIT OU LE NON-RESPECT DES INSTRUCTIONS FOURNIES PAR WEBER DANS LE MANUEL DU PROPRIÉTAIRE FOURNI À L'ACHAT.

LES PIÈCES ET ACCESSOIRES REMPLACÉS DANS LE CADRE DE LA PRÉSENTE GARANTIE SONT GARANTIS UNIQUEMENT POUR LE RESTE DES DIX (10) ANNÉES D'ORIGINE DE LA PÉRIODE DE GARANTIE.

LA PRÉSENTE GARANTIE S'APPLIQUE UNIQUEMENT À UNE UTILISATION DANS UN SEUL DOMICILE PRIVÉ, UNE SEULE MAISON OU UN SEUL APPARTEMENT. ELLE NE S'APPLIQUE PAS AUX BARBECUES WEBER® UTILISÉS DANS UN CONTEXTE COMMERCIAL, COMMUNAL OU À PLUSIEURS UNITÉS, COMME DES RESTAURANTS, HÔTELS, COMPLEXES OU ÉTABLISSEMENTS LOCATIFS.

WEBER PEUT PARFOIS MODIFIER LA CONCEPTION DE SES PRODUITS. AUCUN ÉLÉMENT DE CETTE GARANTIE NE SAURAIT ÊTRE INTERPRÉTÉ COMME UNE OBLIGATION POUR WEBER D'INCORPORER CES MODIFICATIONS DE CONCEPTION DANS DES PRODUITS FABRIQUÉS AUPARAVANT; CES MODIFICATIONS NE POURRONT PAS NON PLUS ÊTRE INTERPRÉTÉES COMME UN AVEU QUE LES CONCEPTIONS PRÉCÉDENTES ÉTAIENT DÉFECTUEUSES.

Weber-Stephen Products LLC
Centre de service à la clientèle
1415, S. Roselle Road
Palatine, IL 60067
ÉTATS-UNIS.

Pour obtenir des pièces de remplacement, composez le :
1-800-446-1071

Ce barbecue à gaz WEBER est portatif de sorte que vous puissiez facilement changer son emplacement dans votre cour ou dans votre patio. La transportabilité signifie que vous pouvez emmener votre barbecue à gaz WEBER avec vous lors de vos déplacements.

L'arrivée de gaz Propane liquide (PL) est facile à utiliser et vous donne davantage de contrôle sur la cuisson que si vous utilisiez du charbon de bois.

- Les présentes instructions vous fourniront les exigences minimales pour le montage de votre barbecue à gaz WEBER. Veuillez lire les consignes avec attention avant d'utiliser votre barbecue à gaz WEBER. Un montage incorrect peut se révéler dangereux.
- Ne convient pas à une utilisation par des enfants.
- S'il existe des codes régionaux s'appliquant aux grills à gaz portatifs, vous devez les respecter. L'installation doit être conforme aux codes régionaux ou, en l'absence de tels codes, avec le Code national relatif aux gaz combustibles, ANSI Z223.1/NFPA 54, le Code relatif aux installations de gaz naturel et de gaz propane, CSA B149.1, ou le Code relatif au stockage et à la manipulation du propane, B149.2, ou à la Norme relative aux véhicules de loisirs, ANSI A 119.2/NFPA 1192, et les Séries CSA Z240 RV, Code relatif aux véhicules de loisirs, le cas échéant.
- Vous devez utiliser le régulateur de pression fourni avec le barbecue à gaz WEBER. Ce régulateur est paramétré pour une colonne d'eau de 11 pouces (pression).
- Ce barbecue à gaz WEBER est conçu pour une utilisation avec du gaz propane liquide (PL) uniquement. Ne l'utilisez pas avec du gaz naturel (gaz de ville). Les valves, les orifices, le tuyau et le régulateur sont adaptés au gaz PL uniquement.
- N'utilisez pas ce barbecue avec du charbon de bois.
- Vérifiez que la zone située au-dessous du panneau de commande et que le bac de récupération des graisses amovible ne comportent aucun débris susceptible de faire obstacle à la circulation de l'air nécessaire à la combustion ou à la ventilation.
- Les zones à proximité de la bouteille de PL doivent être dégagées et ne doivent comporter aucun débris.
- Les régulateurs de pression et les ensembles de tuyaux de rechange doivent être ceux spécifiés par Weber-Stephen Products LLC. ♦

INSTALLATION AU CANADA

Les présentes instructions, bien que généralement acceptables, ne sont pas nécessairement conformes aux Codes d'installation du Canada, en particulier en ce qui concerne les canalisations au-dessus du sol et les canalisations souterraines. Au Canada, l'installation de cet appareil doit être conforme aux codes locaux et/ou à la dernière édition de la Norme CAN/CSA-B149.2 (Code relatif au stockage et à la manipulation du propane). ♦

UTILISATION

- ⚠ **MISE EN GARDE : Utilisez ce barbecue uniquement en extérieur dans une zone bien ventilée. Ne l'utilisez pas dans un garage, un bâtiment, un passage couvert ou toute autre zone confinée.**
- ⚠ **MISE EN GARDE : Maintenez les ouvertures de ventilation de l'enclos de la bouteille de gaz dégagées et libre de tout débris.**
- ⚠ **MISE EN GARDE : Vous ne devez pas utiliser votre barbecue à gaz WEBER au-dessous d'une structure inflammable.**
- ⚠ **MISE EN GARDE : Votre barbecue à gaz WEBER n'est pas conçu pour être installé à l'intérieur ou au-dessus de véhicules de loisirs et/ou de bateaux.**
- ⚠ **MISE EN GARDE : N'utilisez pas le barbecue dans un rayon de 24 pouces de toute matière inflammable.**
- ⚠ **MISE EN GARDE : La totalité du boîtier de cuisson atteint une température élevée pendant la cuisson. Ne laissez pas le grill sans surveillance.**
- ⚠ **MISE EN GARDE : Maintenez tout cordon d'alimentation électrique ainsi que le tuyau d'alimentation en combustible à l'écart de toute surface chauffée.**
- ⚠ **MISE EN GARDE : Maintenez la zone de cuisson dégagée de toute vapeur ou de tout liquide inflammable comme de l'essence, de l'alcool, etc., et de toute matière inflammable.**
- ⚠ **MISE EN GARDE : Ne stockez jamais une bouteille de PL supplémentaire (de rechange) au-dessous ou à proximité du barbecue à gaz WEBER.**
- ⚠ **MISE EN GARDE : La bouteille de PL utilisée avec votre barbecue doit être équipée d'un dispositif de prévention du surremplissage homologué OPD (Overfilling Prevention Device) et d'un raccord QCC1 ou de Type 1 (CGA810). Le raccord de la bouteille de gaz doit être compatible avec le raccord du barbecue. ♦**

STOCKAGE ET/OU INUTILISATION

- Le gaz doit être fermé au niveau de la bouteille de propane liquide lorsque vous n'utilisez pas le barbecue à gaz WEBER.
- Lorsque le barbecue à gaz WEBER est stocké en extérieur, l'arrivée de gaz doit être DECONNECTEE et la bouteille de gaz PL stockée en extérieur dans une zone bien ventilée.
- La bouteille de PL doit être stockée en extérieur dans une zone bien ventilée hors de portée des enfants. La bouteille de PL débranchée ne doit pas être stockée dans un bâtiment, dans un garage ni dans toute autre zone confinée.
- Lorsque la bouteille de PL n'est pas débranchée du barbecue à gaz WEBER, l'appareil et la bouteille de PL doivent être stockés en extérieur dans un espace bien ventilé.
- Le barbecue à gaz WEBER devrait faire l'objet d'une inspection visant à détecter toute fuite ainsi que tout obstacle présent dans les tubes du brûleur avant toute utilisation (Voir "MAINTENANCE/MAINTENANCE ANNUELLE").
- Vérifiez que les zones situées sous le panneau de commande et le plateau inférieur amovible ne comportent pas de résidus susceptibles de faire obstacle à la circulation de l'air de combustion ou de ventilation.
- Les Grilles anti araignées/insectes devraient aussi faire l'objet d'un contrôle afin de détecter toute obstruction (Voir "MAINTENANCE/MAINTENANCE ANNUELLE"). ♦

⚠ ATTENTION : Ce produit a fait l'objet de tests de sécurité et est certifié pour une utilisation dans un pays particulier uniquement. Vérifiez la désignation de pays située sur le carton d'emballage.

Ces pièces peuvent contenir du gaz ou être des éléments dont la combustion produit du gaz. Veuillez consulter le Service clientèle de Weber-Stephen Products LLC pour des renseignements sur les pièces de rechange originales de Weber-Stephen Products LLC.

⚠ MISE EN GARDE : Ne tentez pas d'effectuer des réparations sur des éléments contenant du gaz ou sur des éléments dont la combustion produit du gaz sans contacter le service clientèle de Weber-Stephen Products LLC. Si vous ne suivez pas la présente Mise en garde relative au produit, vos actions risquent de provoquer un incendie ou une explosion entraînant des blessures physiques graves voire un décès ainsi que des dégâts matériels.

INSTRUCTIONS CONCERNANT LE GAZ

ASTUCES POUR UNE MANIPULATION SANS DANGER DES BOUTEILLES DE GAZ PROPANE LIQUIDE

- Le gaz propane liquide (PL) est un produit dérivé du pétrole comme le sont l'essence et le gaz naturel. Le gaz PL est gazeux à des températures et à des pressions ordinaires. Soumis à une pression modérée, à l'intérieur d'une bouteille de gaz, le gaz PL est liquide. Au fur et à mesure que la pression diminue, le liquide vaporise rapidement et devient gazeux.
- L'odeur du gaz PL ressemble à celle du gaz naturel. Vous devriez avoir conscience de cette odeur.
- Le gaz PL est plus lourd que l'air. Du gaz PL s'échappant d'une fuite peut s'accumuler dans des espaces proches du sol, ce qui empêcherait sa dispersion.
- Pour remplir la bouteille de PL, emmenez-la chez un revendeur de gaz propane, ou cherchez à "gaz propane" dans l'annuaire pour d'autres sources de gaz PL.

⚠ MISE EN GARDE : Nous vous recommandons de faire remplir votre bouteille de PL auprès d'un revendeur de gaz PL agréé, par du personnel qualifié, qui remplit la bouteille au poids. UN REMPLISSAGE INCORRECT EST DANGEREUX.

- L'air doit être extrait d'une bouteille de PL neuve avant que celle-ci soit remplie pour la première fois. Votre revendeur de PL est équipé pour effectuer cette opération.
- La bouteille de PL doit être installée, transportée, et stockée en position verticale. Les bouteilles de PL ne devraient pas être lâchées ou manipulées brutalement.
- Ne stockez ou ne transportez jamais la bouteille de PL dans des endroits où la température peut atteindre 125° F (trop chaud pour tenir à la main). Par exemple : ne laissez pas la bouteille de PL à l'intérieur d'une voiture par une journée chaude.

Remarque : Une recharge va durer environ 18-20 heures de cuisson dans des conditions d'utilisation normales. Le niveau de combustible, fonctionnalité disponible sur certains de nos grills, indiquera le niveau de propane de sorte que vous puissiez recharger la bouteille avant de manquer de combustible. La bouteille n'a pas besoin d'être vide pour être rechargée.

- Manipulez les bouteilles de PL "vides" avec le même soin que lorsqu'elles sont pleines. Même lorsque la bouteille de PL ne contient plus de liquide, il peut toujours y avoir du gaz sous pression à l'intérieur. Fermez toujours la valve de la bouteille avant de la déconnecter.

⚠ ATTENTION : Placez le cache anti-poussière sur la sortie de la valve de la bouteille de gaz chaque fois que celle-ci est inutilisée. N'installez que le type de cache anti-poussière fourni avec la valve de la bouteille de gaz. L'utilisation d'autres types de caches ou de bouchons pourrait entraîner une fuite de propane.

- N'utilisez pas de bouteille de PL détériorée. Une bouteille de PL comportant un renforcement ou rouillée ou une bouteille de PL dont la valve est détériorée peut être dangereuse et devrait immédiatement être remplacée par une bouteille neuve.
- Le raccord où le tuyau est relié à la bouteille de gaz PL doit faire l'objet d'un contrôle de détection des fuites à chaque fois que la bouteille de PL est rebranchée. Par exemple, détectez les fuites à chaque fois que la bouteille de PL est rechargée.
- Assurez-vous que le régulateur est monté avec le petit trou d'aération orienté vers le bas de sorte qu'il ne reçoive pas d'eau. Cette aération devrait être dégagée des impuretés, de la graisse, des insectes, etc.
- Les raccords de gaz fournis avec votre barbecue à gaz WEBER ont été conçus et testés pour être conformés à 100% des exigences du CSA et de l'ANSI.

⚠ MISE EN GARDE : Les bouteilles de PL de recharge doivent s'adapter au raccord du régulateur fourni avec ce barbecue.

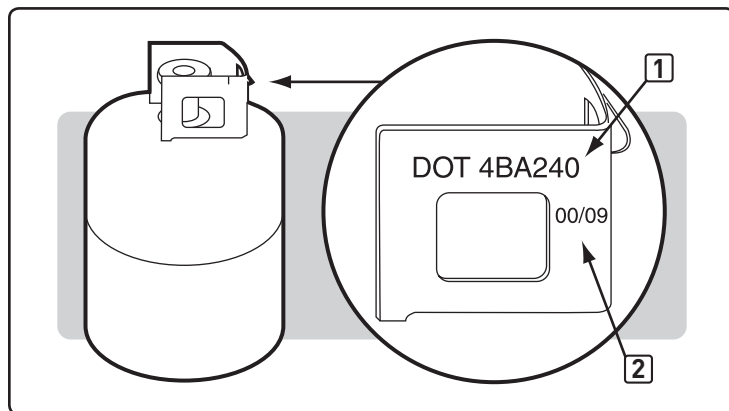
Exigences Relatives à la Bouteille de Propane Liquide

- Assurez-vous que les bouteilles de gaz sont certifiées D.O.T. (1), et que leur date vérifiée (2) est dans les cinq ans. Votre fournisseur de gaz PL peut faire cela pour vous.
- Tous les dispositifs de rechargement de bouteilles de PL doivent inclure une collerette pour protéger la valve de la bouteille de gaz.
- La bouteille de PL doit avoir une taille de 20 lb. environ (18¼ pouces de haut et 12¼ pouces de diamètre).
- La bonbonne doit être fabriquée et marquée conformément aux Spécifications s'appliquant aux bonbonnes de gaz - propane liquide du ministère américain des Transports (D.O.T.) ou à la norme nationale du Canada, CAN/CSA-B339, sur les bonbonnes, sphères et tuyaux ou sur le transport des marchandises dangereuses; et commission, si applicable.

Exigences Canadiennes en Ce Qui Concerne les Bouteilles de Propane Liquide

Remarque : Votre détaillant peut vous aider à trouver une bouteille de gaz de recharge adaptée à votre barbecue.

- La bouteille de PL doit être fabriquée et marquée conformément aux spécifications relatives aux bouteilles de gaz PL, T.C. ♦



INSTRUCTIONS CONCERNANT LE GAZ

INFORMATIONS IMPORTANTES RELATIVES À LA BOUTEILLE DE PL

⚠ DANGER

Ne stockez JAMAIS une bouteille de PL de recharge au-dessous ou à proximité de ce barbecue. Ne remplissez JAMAIS la bouteille à plus de 80%. Le non respect strict des consignes de sécurité intitulées DANGER pourrait entraîner un incendie provoquant la mort ou une blessure grave.

Votre grill à gaz WEBER est équipé pour être raccordé à un dispositif d'alimentation de bouteille de gaz conçu pour éliminer les émanations.

⚠ MISE EN GARDE : N'utilisez ce grill qu'en extérieur dans une zone bien ventilée. Ne l'utilisez pas dans un garage, dans un passage couvert ni dans toute autre zone confinée.

Les méthodes de remplissage correctes pour le rechargement de votre bouteille de gaz sont le remplissage au poids ou au volume, tel que décrit par la norme NFPA 58. Veuillez vous assurer que votre station de remplissage remplit votre bouteille de PL au poids ou au volume. Demandez au personnel de votre station de remplissage de lire les consignes de purge et de remplissage figurant sur la bouteille de PL avant de tenter de la remplir. ♦

PREPARATION DE LA DETECTION DES FUITES

Vérifiez que Toutes les Valves des Brûleurs Sont Fermées

Les valves sont expédiées en position fermée (ARRÊTÉ), mais vous devriez les vérifier pour vous assurer qu'elles sont fermées. Vérifiez en les enfonçant et en les tournant dans le sens des aiguilles d'une montre. Si elles ne tournent pas, elles sont fermées. Si elles tournent, continuez à les tourner jusqu'à ce qu'elles ne tournent plus; elles sont maintenant fermées.

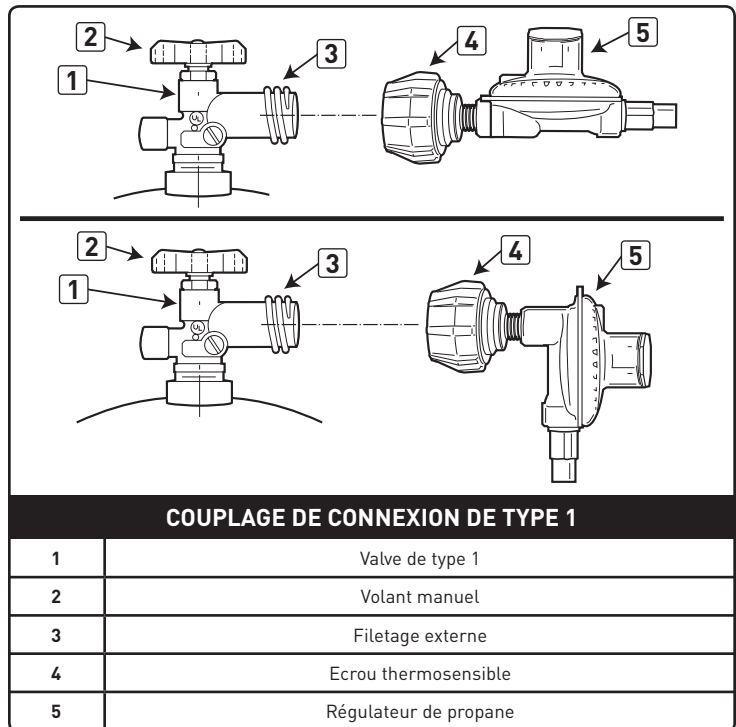
La bouteille de propane liquide

Tous les régulateurs des bouteilles de gaz propane liquide WEBER sont équipés de raccords de bouteilles de gaz homologués par l'UL conformément à la dernière édition de l'ANSI Z21.58. Ceci nécessite une bouteille de propane liquide également équipée d'un raccord de Type 1 à l'intérieur de la valve de la bouteille de gaz. Ce couplage de Type 1 vous permet d'effectuer un branchement sûr et totalement sécurisé entre votre grill à gaz et votre bouteille de propane liquide. Cela élimine les risques de fuites dues à un raccord PL mal serré. Le gaz ne sort pas de la bouteille tant que le couplage de Type 1 n'est pas complètement engagé à l'intérieur du couplage.

⚠ MISE EN GARDE : Assurez-vous que la valve de la bouteille de PL est fermée. Fermez-la en tournant la valve dans le sens des aiguilles d'une montre.

⚠ DANGER

N'utilisez pas de flamme nue pour détecter les fuites de gaz. Assurez-vous de l'absence de toute étincelle ou flamme nue dans la zone pendant que vous détectez les fuites. Des étincelles ou des flammes provoqueraient un incendie ou une explosion susceptible de provoquer une blessure grave ou la mort, et des dommages à la propriété.



INSTRUCTIONS CONCERNANT LE GAZ

A) Localisez la pince de retenue du tuyau (1) sur le tuyau du régulateur. Fixez-la à l'intérieur de la fente (2) au-dessous du support de la bouteille.

⚠ MISE EN GARDE : Le tuyau doit être fixé au support de la bouteille au moyen de la Pince de retenue du tuyau. Le non respect de cette consigne pourrait entraîner une détérioration du tuyau provoquant un incendie ou une explosion susceptible de provoquer une blessure grave ou la mort, et des dommages à la propriété.

Certaines bouteilles de PL ont des assemblages de colliers supérieurs différents. (Le collier supérieur est l'anneau de protection métallique autour de la valve.) Une série de bouteilles est montée avec la valve vers l'avant (3). Les autres bouteilles sont montées avec la valve du côté opposé par rapport au support de la bouteille (4). WEBER recommande l'utilisation des bouteilles des fabricants Manchester et Worthington, d'une capacité de 47,6 lb de liquide. D'autres bouteilles peuvent être acceptables pour une utilisation avec l'appareil à condition qu'elles soient compatibles avec le moyen de rétention de l'appareil (voir l'illustration pour le point de contact du moyen de rétention).

La bouteille de PL est installée à l'intérieur du placard, sur le support de bouteille (côté droit).

B) Ouvrez les portes du placard inférieur.

C) Desserrez l'écrou à ailettes de verrouillage de la bouteille. Faites basculer le verrou de la bouteille vers le haut (5).

D) Positionnez la bouteille de PL de sorte que l'ouverture de la valve se trouve soit à l'avant soit sur le côté du barbecue à gaz WEBER.

E) Soulevez la bouteille et placez-la en position sur le support (6).

F) Desserrez l'écrou à oreilles de verrouillage de la bouteille. Faites pivoter le verrou de la bouteille vers le bas. Serrez l'écrou à oreilles.

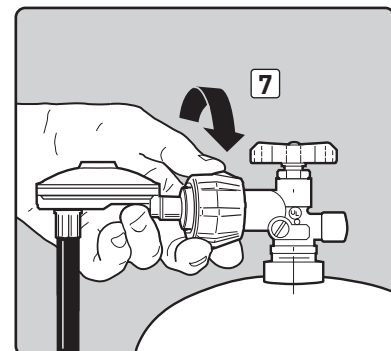
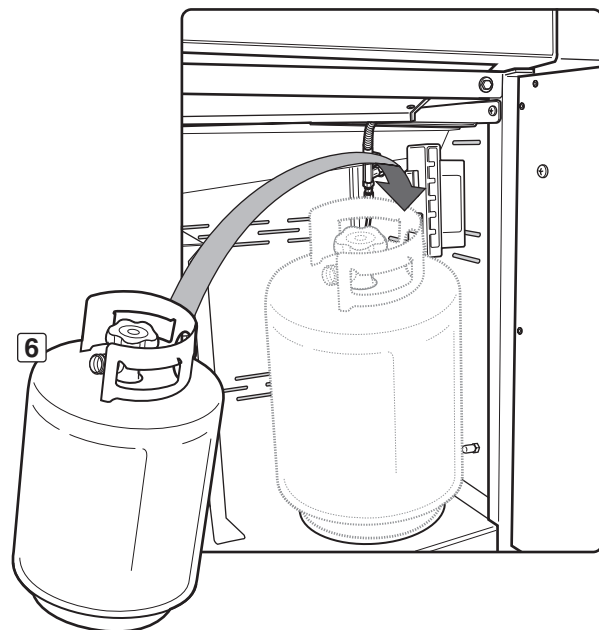
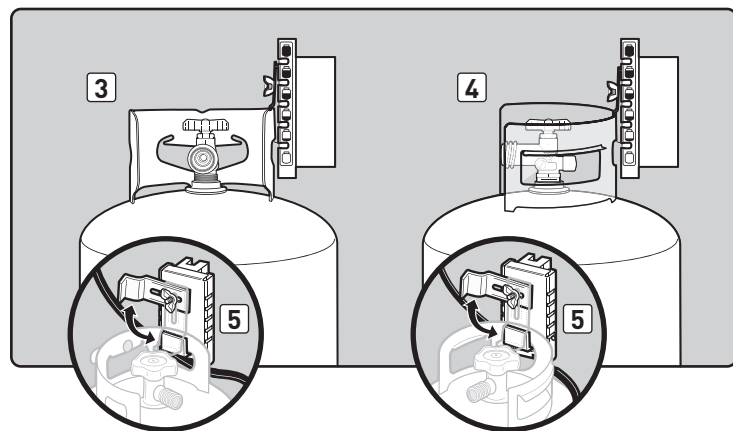
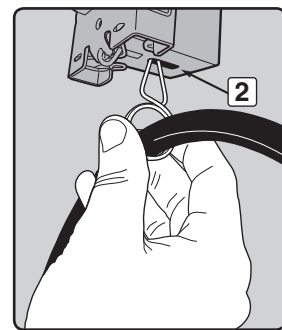
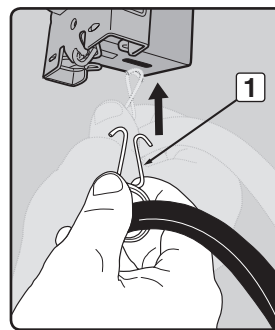
Connexion du tuyau à la bouteille

A) Retirez le cache anti-poussière en plastique de la valve.

B) Vissez le couplage du régulateur sur la valve de la bouteille de gaz, dans le sens des aiguilles d'une montre, ou vers la droite. Serrez à la main uniquement (7).

Remarque : Ce raccord se serre dans le sens des aiguilles d'une montre et ne laisse pas le gaz circuler tant que le raccord n'est pas hermétique. Le raccord doit être serré à la main uniquement.

⚠ MISE EN GARDE : N'utilisez pas de clé pour serrer le raccord. L'utilisation d'une clé risquerait de détériorer le couplage du régulateur et pourrait provoquer une fuite.



INSTRUCTIONS CONCERNANT LE GAZ

⚠ MISE EN GARDE : Les raccords de gaz de votre Grill à Gaz SUMMIT ont été testés en usine. Nous vous recommandons néanmoins d'effectuer un contrôle de détection des fuites pour la totalité des raccords de gaz avant toute utilisation de votre Grill à Gaz SUMMIT.

Retirez le panneau de commande

Outils nécessaires : Tournevis, pinces et serviettes.

- Retirez les boutons de commande du brûleur (1).
- Ouvrez les deux portes. A l'aide d'un tournevis, retirez les vis du dessous du panneau de commande (2).
- Soulevez et retirez le logement des piles situé à l'intérieur du meuble du grill (3).
- A l'aide d'une pince à bout pointu, débranchez les terminaux des câbles depuis la partie supérieure du logement des piles (4). **Ne tirez pas sur les câbles ; retirez-les en tirant sur les terminaux.**
- Placez les serviettes sur les parties supérieures des assemblages des portes. **Ceci va protéger le panneau de commande ainsi que les assemblages de la porte contre les rayures au cours de la prochaine étape.**
- Inclinez la partie inférieure du panneau de commande vers l'avant. Soulevez légèrement (5) le panneau puis faites-le pivoter pour l'orienter vers le bas afin de le faire reposer sur les parties supérieures des assemblages des portes. (Veillez à ne pas rompre ni débrancher les câbles des LED du panneau de commande.)
- Tirez prudemment les câbles des piles vers l'extérieur depuis l'intérieur du meuble du grill (6).
- Ouvrez complètement la porte de droite. Placez le panneau de commande sur le sol, en le faisant reposer contre la serviette qui recouvre l'assemblage de la porte de droite (7). ♦

DETECTION DES FUITES DE GAZ

⚠ DANGER

N'utilisez pas de flamme nue pour effectuer la détection des fuites. Assurez-vous de l'absence de toute étincelle ou flamme nue dans la zone pendant que vous détectez les fuites. La présence d'étincelles ou de flammes nues provoquerait un incendie ou une explosion susceptible d'entraîner des blessures ou un décès ainsi que des dégâts matériels.

Remarque : La totalité des raccords effectués en usine fait l'objet d'une détection minutieuse des fuites. Les brûleurs ont été testés à la flamme. Par mesure de sécurité toutefois, vous devriez vérifier à nouveau la totalité des raccords afin de détecter toute fuite avant d'utiliser votre grill à gaz WEBER. L'expédition et la manipulation peuvent desserrer ou détériorer un raccord de gaz.

⚠ MISE EN GARDE : Les raccords de gaz de votre grill à gaz ont été testés à l'usine. Nous vous recommandons néanmoins de détecter les fuites pour tous les raccords de gaz avant d'utiliser votre grill à gaz.

⚠ MISE EN GARDE : Effectuez ces contrôles de détection des fuites même si votre barbecue a été assemblé par un revendeur ou en boutique.

Si votre grill est pourvu d'un brûleur latéral, assurez-vous que ce brûleur latéral est éteint.

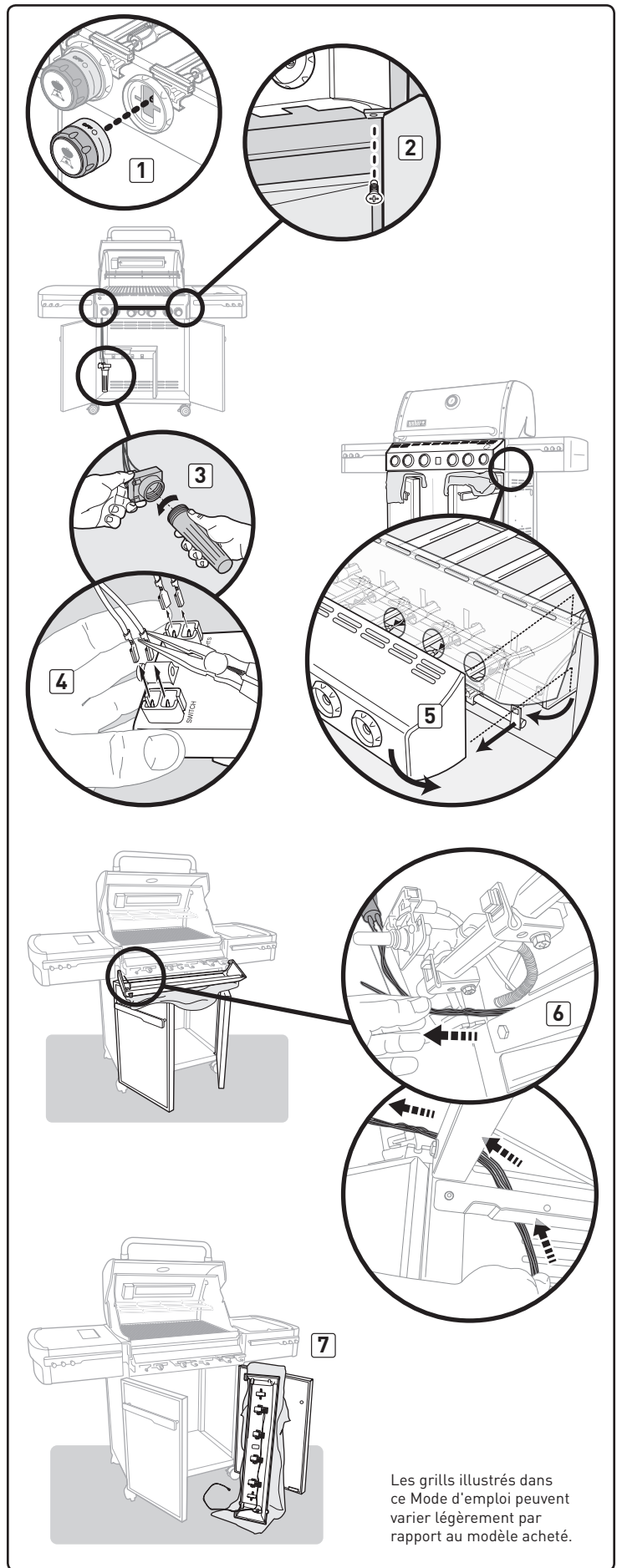
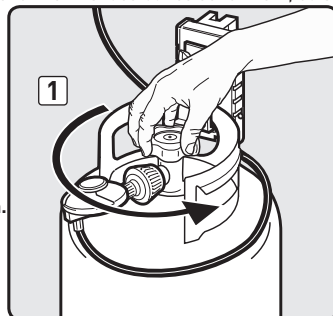
Ouvrez l'arrivée de gaz à la source.

⚠ MISE EN GARDE : N'allumez pas les brûleurs lorsque vous détectez les fuites.

Il vous faudra : Une solution d'eau savonneuse et un chiffon ou une brosse pour l'appliquer.

- Mélangez l'eau et le savon.
- Ouvrez l'arrivée de gaz (1).
- Détectez les fuites en humidifiant le raccord à l'aide de la solution d'eau savonneuse et en regardant si des bulles se forment. Si des bulles se forment, ou si une bulle grossit, il y a une fuite.

Si'il y a une fuite, fermez le gaz et serrez le raccord. Ouvrez à nouveau le gaz et vérifiez à nouveau à l'aide de la solution d'eau savonneuse. Si la fuite continue, n'utilisez pas le barbecue. Contactez le représentant du Service client le plus proche à l'aide des coordonnées à votre disposition sur notre site Internet. Connectez-vous sur www.weber.com.



Les grills illustrés dans ce Mode d'emploi peuvent varier légèrement par rapport au modèle acheté.

INSTRUCTIONS CONCERNANT LE GAZ

- D) Une fois la détection des fuites terminée, fermez l'arrivée de gaz à la source et rincez les raccords à l'eau.

Remarque : Dans la mesure où certaines solutions de détection des fuites, notamment l'eau savonneuse, peuvent s'avérer légèrement corrosives, la totalité des raccords devrait être rincée à l'eau après la détection des fuites.

- ⚠ MISE EN GARDE : Vous devriez détecter les fuites à chaque fois que vous déconnectez et reconnectez un raccord de gaz.**

Vérifiez

- A) Le raccord entre la conduite de gaz et le collecteur (1).
 B) Le raccord de la conduite de gaz de la rôtissoire (Brûleur I.R.) (2).
 C) Le raccord entre l'embouchure et le tuyau d'arrivée de gaz (3).
 D) Le raccord entre le tuyau du brûleur et l'embouchure (4).

- ⚠ MISE EN GARDE : En cas de fuite au niveau du raccord (1, 2, 3, ou 4), resserrez le raccord à l'aide d'une clé puis effectuez à nouveau une vérification de détection des fuites à l'aide d'une solution d'eau savonneuse. En cas de persistance d'une fuite une fois que vous avez resserré le raccord, fermez le gaz. N'UTILISEZ PAS LE GRILL. Veuillez entrer en contact avec le Représentant du Service clientèle le plus proche grâce aux coordonnées à votre disposition sur notre site Internet.**

Connectez-vous sur www.weber.com.

- E) Le raccord entre le tuyau du brûleur et la déconnexion rapide, les raccords entre les valves et les orifices du brûleur (5).
 F) Le raccord entre le tuyau et le régulateur (6).
 G) Le raccord entre le régulateur et la bouteille de gaz (7).
 H) Les raccords entre les valves et le collecteur (8).

- ⚠ MISE EN GARDE : En cas de fuite au niveau des raccords (5, 6, 7, ou 8), fermez le gaz. N'UTILISEZ PAS LE GRILL. Veuillez entrer en contact avec le Représentant du Service clientèle le plus proche grâce aux coordonnées à votre disposition sur notre site Internet. Connectez-vous sur www.weber.com.**

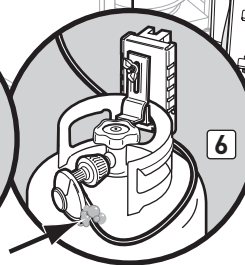
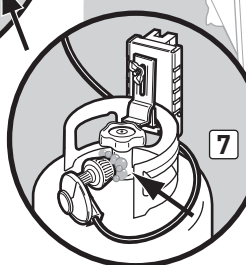
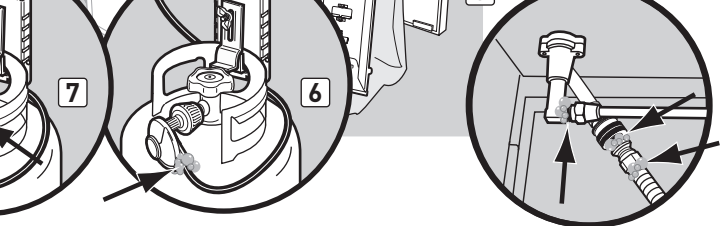
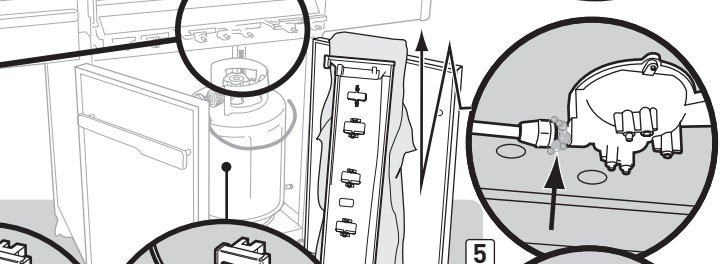
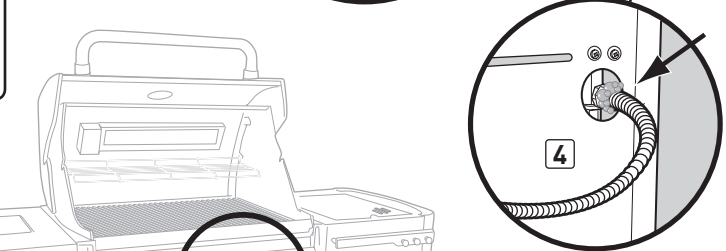
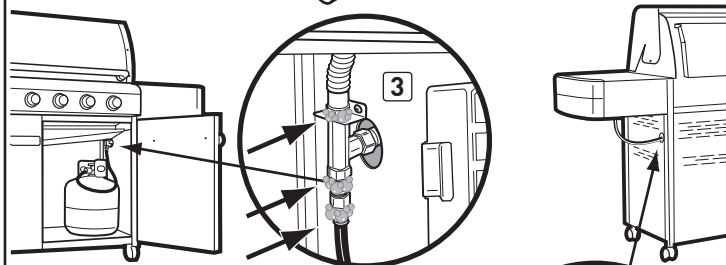
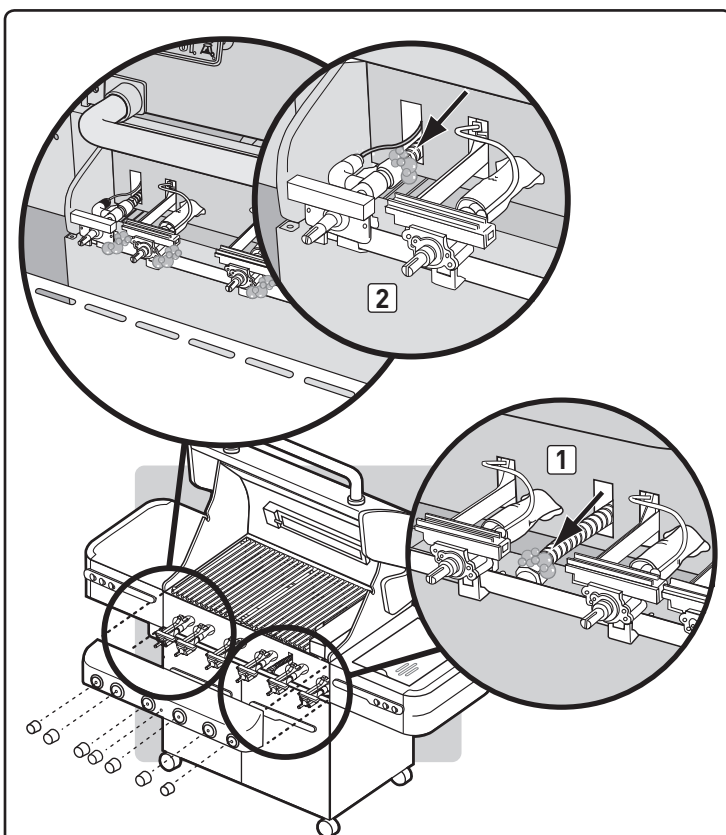
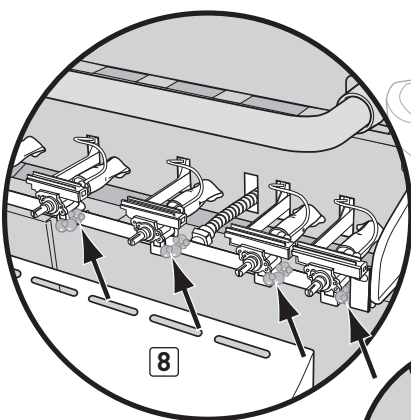
Lorsque vous avez terminé la détection des fuites, fermez l'arrivée de gaz à la source puis rincez les raccords à l'eau.

Remettez en place le panneau de commande

- A) Pour remettre en place l'assemblage du panneau de commande, inversez les étapes précédemment décrites dans "Retirez le panneau de commande."
 B) Vérifiez si les câbles sont bien branchés. Voir "FONCTIONS D'ECLAIRAGE."

- ⚠ MISE EN GARDE : Assurez-vous que toutes les pièces sont assemblées et que la quincaillerie est complètement serrée avant d'utiliser le grill. En cas de non respect de cette consigne de mise en garde concernant le produit, vos actions risquent de provoquer**

un incendie, une explosion, ou un défaut structurel entraînant des blessures graves voire un décès ainsi que des dégâts matériels.



Les grills illustrés dans ce Mode d'emploi peuvent varier légèrement par rapport au modèle acheté.

INSTRUCTIONS CONCERNANT LE GAZ

RECHARGEMENT DE LA BOUTEILLE DE PROPANE LIQUIDE

Nous vous recommandons de recharger la bouteille de PL avant que celle-ci ne soit complètement vide.

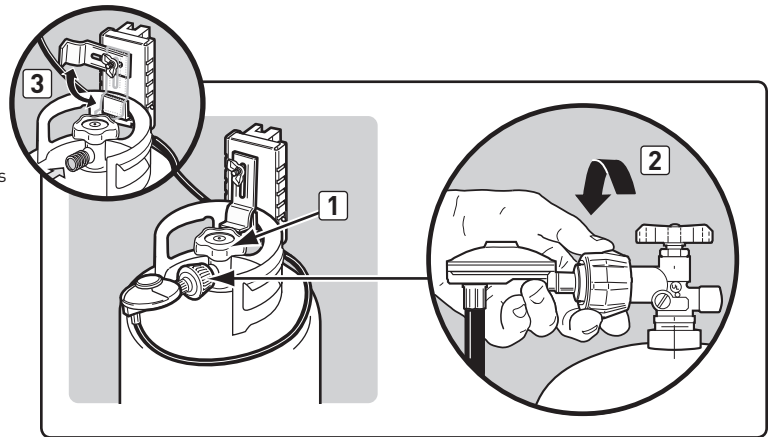
Retrait de la bouteille de PL :

- A) Fermez la valve de la bouteille de gaz (tournez dans le sens des aiguilles d'une montre) **(1)**.
- B) Dévissez le couplage du régulateur en le tournant dans le sens inverse des aiguilles d'une montre, à la main uniquement **(2)**.
- C) Desserrez l'écrou à oreilles verrouillant la bouteille de gaz et retirez le verrou de la bouteille de gaz **(3)**.
- D) Soulevez la bouteille de gaz pour la sortir.

Pour recharger la bouteille de PL, emmenez-la chez un revendeur de propane, ou cherchez à "gaz propane" dans l'annuaire pour d'autres sources de gaz PL.

⚠ MISE EN GARDE : Nous vous recommandons de faire remplir votre bouteille de PL auprès d'un revendeur de gaz agréé, par du personnel qualifié, qui remplit la bouteille au poids. UN MAUVAIS REMPLISSAGE EST DANGEREUX.

⚠ ATTENTION : Placez le cache anti-poussière sur la sortie de la valve de la bouteille de gaz chaque fois que la bouteille de gaz est inutilisée. N'utilisez que le type de cache anti-poussière fourni avec la valve de la bouteille de propane. L'utilisation d'autres types de caches ou de bouchons pourrait provoquer une fuite de propane. ♦

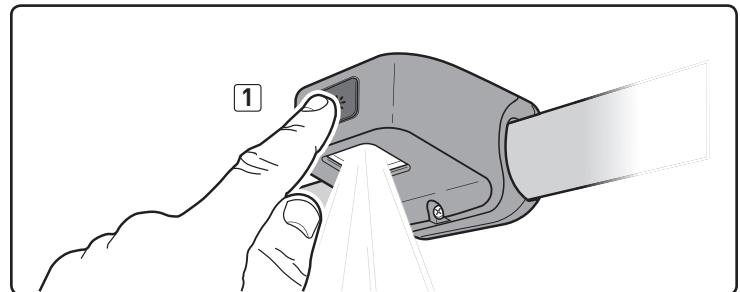


FONCTIONNALITES D'ÉCLAIRAGE

FONCTIONNEMENT DE LA LAMPE DU BARBECUE

Appuyez sur le bouton ÉVEIL pour activer la lampe du barbecue. La lampe est équipée d'un « capteur d'ouverture » qui allume la lampe si le couvercle est ouvert et l'éteint lorsque le couvercle est fermé. Si le couvercle reste ouvert ou fermé pendant plus de 30 minutes, la lampe est désactivée. Pour la rallumer, appuyez sur le bouton ÉVEIL **(1)**.

REMARQUE : la lampe NE S'ÉTEINT PAS lorsqu'on appuie sur le bouton ÉVEIL. ♦

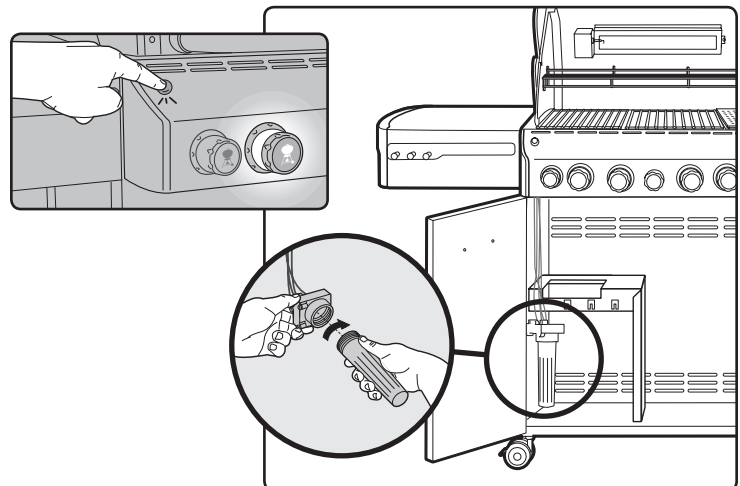


BOUTONS DE COMMANDES ECLAIRES

Votre grill à gaz est pourvu de boutons de commande qui s'allument ; ce qui vous permet de régler finement les paramètres de température, même en situation de faible éclairage.

Nécessite trois piles alcalines "D." Ne mélangez pas des piles usagées avec des piles neuves ou différents types de piles entre elles (ordinaires, alcalines, ou rechargeables). Le logement des piles se situe à l'intérieur du meuble du côté gauche.

Pour mettre en marche l'éclairage, appuyez sur le bouton de mise en marche. ♦



AVANT D'UTILISER LE GRILL

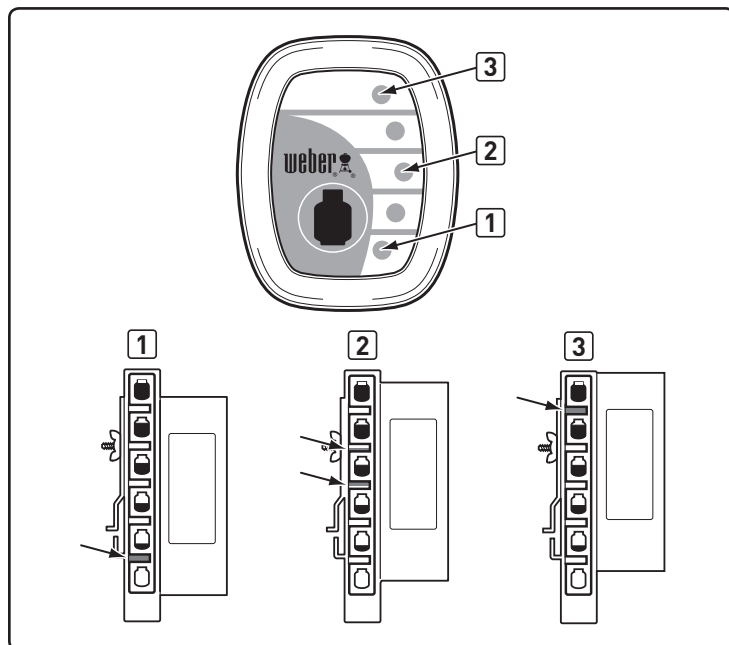
NIVEAU DE COMBUSTIBLE

Il existe deux manières de vérifier le niveau de combustible dans votre bouteille : électroniquement et manuellement.

Pour vérifier le niveau à l'aide de la graduation électronique de la bouteille, appuyez sur le bouton de graduation de la bouteille, situé à droite du panneau de commandes, pendant deux à trois secondes. La LED indique le niveau de combustible dans la bouteille.

Pour vérifier le niveau à l'aide de la graduation manuelle de la bouteille, regardez la ligne colorée d'indication de niveau, située sur le côté de la graduation de la bouteille.

- A) Vide **(1)**
- B) Moyen **(2)**
- C) Plein **(3)** ♦



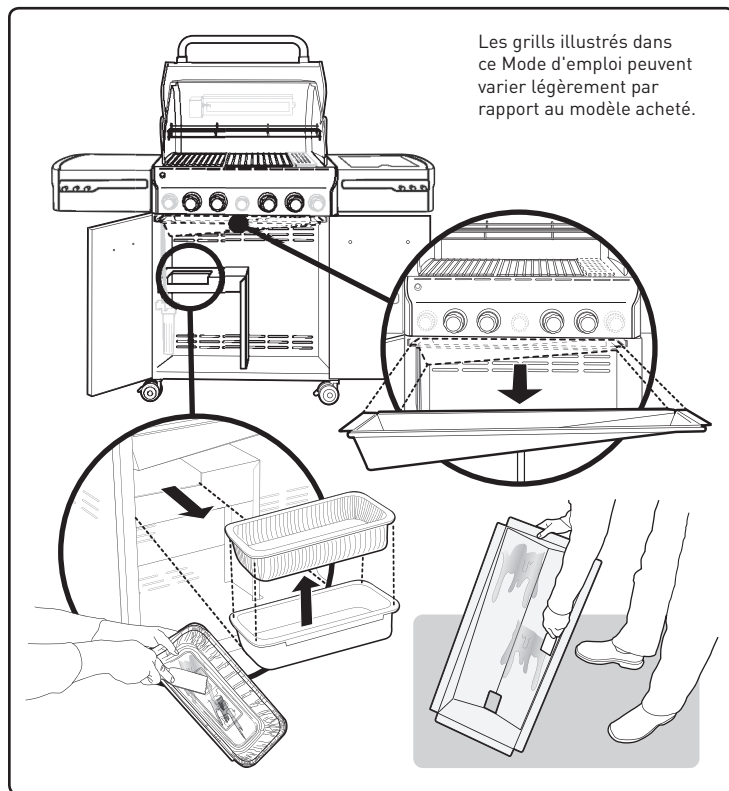
PLATEAU DE RECUPERATION DES GRAISSES AMOVIBLE ET EGOUTTOIR JETABLE

Votre grill a été fabriqué avec un dispositif de collecte des graisses intégré. Vérifiez le plateau de récupération des graisses amovible et l'égouttoir jetable afin de détecter la présence d'accumulations de graisses à chaque fois que vous utilisez votre grill.

Retirez l'excès de graisse à l'aide d'une spatule en plastique ; voir l'illustration. Lorsque cela s'avère nécessaire, lavez le plateau de récupération des graisses amovible et l'égouttoir jetable à l'aide d'une solution d'eau savonneuse, puis rincez-les à l'eau claire. Remplacez l'égouttoir jetable lorsque son remplacement est nécessaire.

⚠ **MISE EN GARDE : Vérifiez si le plateau de récupération des graisses amovible et l'égouttoir jetable contiennent des accumulations de graisses avant chaque utilisation. Retirez les excès de graisse afin d'éviter un embrasement de ces graisses. Un embrasement des graisses risquerait de provoquer une blessure grave ou des dégâts matériels.**

⚠ **ATTENTION : Ne couvrez-pas le plateau de récupération des graisses amovible d'une feuille de papier aluminium.** ♦



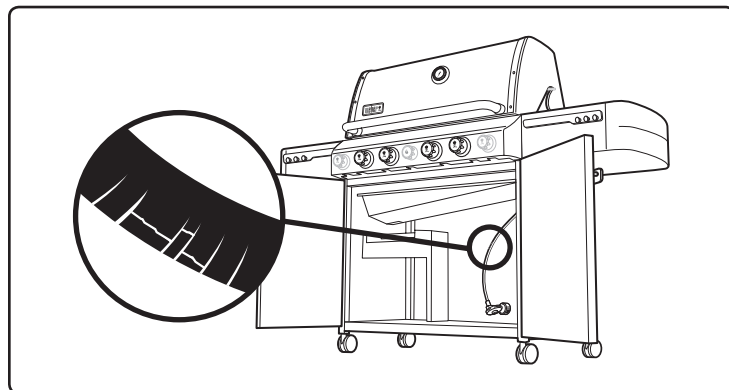
Les grills illustrés dans ce Mode d'emploi peuvent varier légèrement par rapport au modèle acheté.

INSPECTION DU TUYAU

Le tuyau devrait être inspecté afin de détecter tout signe de fissure.

⚠ **MISE EN GARDE : Vérifiez le tuyau avant chaque utilisation du barbecue afin de détecter toute égratignure, fissure, abrasion ou coupure. Si le tuyau s'avère détérioré de quelque manière que ce soit, n'utilisez pas le barbecue. Remplacez le tuyau en utilisant uniquement un tuyau de rechange agréé par WEBER. Contactez le représentant du Service clientèle de votre région à l'aide des coordonnées à votre disposition sur notre site Internet.**

Connectez-vous sur www.weber.com. ♦

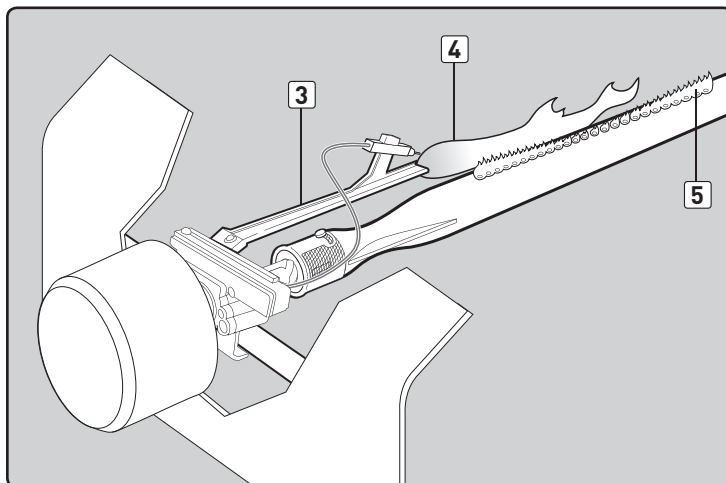
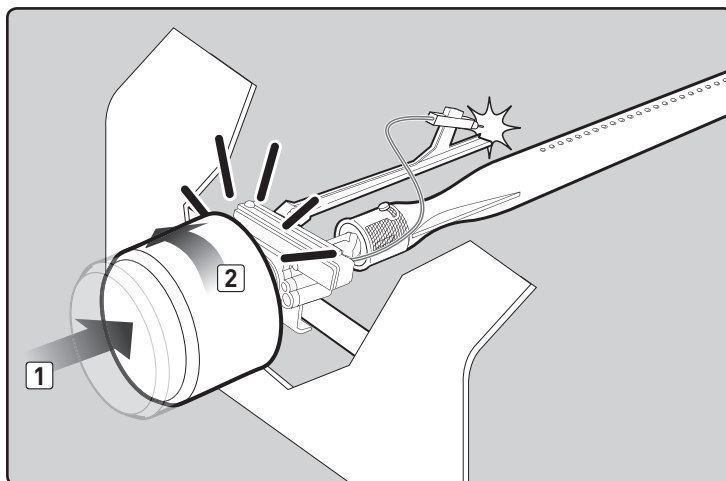


UTILISATION DE L'ALLUMAGE A DECLOC

⚠ Ouvrez toujours le couvercle avant d'allumer les brûleurs.

- A) Chaque bouton de commande est pourvu d'une électrode d'allumage intégrée. Pour créer une étincelle, vous devez enfoncer le bouton de commande (1) et le tourner vers MARCHE/ELEVE (2).
- B) Cette action génère une circulation de gaz et une étincelle en direction du tube d'allumage du brûleur (3). Vous entendez un déclic en provenance de l'allumeur. Vous voyez également une flamme orange de 3" à 5" sortir du tube d'allumage du brûleur du côté gauche du brûleur (4).
- C) **Maintenez le tube du brûleur enfoncé pendant deux secondes après le déclic.** Cela permet au gaz de circuler tout le long du tube du brûleur (5) et garantit l'allumage.
- D) Vérifiez que le brûleur est allumé en regardant à travers les grilles de cuisson. Vous devriez voir une flamme. Si le brûleur ne s'allume pas au premier essai, enfoncez le bouton de commande et positionnez-le sur ARRÊTÉ. Répétez la procédure d'allumage une seconde fois.

⚠ **MISE EN GARDE : Si le brûleur ne s'allume toujours pas, positionnez le bouton de commande du brûleur sur ARRÊTÉ puis patientez cinq minutes pour laisser le gaz se dissiper avant d'essayer à nouveau ou d'essayer d'allumer le brûleur avec une allumette. ♦**



ALLUMAGE & UTILISATION DU BRULEUR PRINCIPAL

ALLUMAGE DU BRULEUR PRINCIPAL

Vous trouverez des instructions d'allumage résumées à l'intérieur de la porte gauche du placard.

⚠ DANGER

Le fait de ne pas ouvrir le couvercle pendant l'allumage des brûleurs du barbecue, ou de ne pas patienter cinq minutes pour laisser le gaz se dissiper si le barbecue ne s'allumait pas, pourrait provoquer un embrasement explosif susceptible de provoquer une blessure grave ou la mort.

Allumage du Brûleur du Fumoir avec le Bouton

Remarque : Chaque allumeur à bouton de commande crée une étincelle à partir de l'électrode de l'allumeur en direction du tube d'allumage du brûleur. Vous générez l'énergie nécessaire à la création de l'étincelle en enfonçant le bouton de commande et en le tournant vers MARCHE/ELEVE. Ceci allume chaque brûleur individuel.

⚠ **MISE EN GARDE** : Vérifiez le tuyau avant chaque utilisation du barbecue afin de détecter toute entaille, fissure, abrasion ou coupure. Si vous découvrez que le tuyau est détérioré de quelque manière que ce soit, n'utilisez pas le barbecue. Remplacez le tuyau en utilisant uniquement un tuyau de rechange agréé par WEBER. Veuillez entrer en contact avec le Représentant du Service clientèle le plus proche grâce aux coordonnées à votre disposition sur notre site Internet. Connectez-vous sur www.weber.com.

A) Ouvrez le couvercle (1).
B) Assurez-vous que tous les boutons de commande du brûleur sont fermés (2). (Enfoncez le bouton de commande et tournez-le dans le sens des aiguilles d'une montre pour vous assurer qu'il est positionné sur ARRÊTÉ.)

⚠ **MISE EN GARDE** : Les boutons de commande du brûleur doivent être positionnés sur ARRÊTÉ avant que vous ouvriez la valve du réservoir de la bouteille de propane liquide. S'ils ne sont pas positionnés sur ARRÊTÉ, lorsque vous ouvrez la valve de la bouteille de PL, la fonction de "contrôle du débit de gaz en excès" s'active, limitant ainsi le débit de gaz en provenance de la bouteille de PL. Si cela se produisait, fermez la valve de la bouteille de PL et les boutons de commande du brûleur. Ensuite, recommencez.

⚠ DANGER

Lorsque la fonction de "contrôle du débit de gaz en excès" est activée, une petite quantité de gaz circule toujours en direction des brûleurs. Une fois que vous avez fermé les boutons de la bouteille de gaz, patientez au moins cinq minutes pour laisser le gaz se dissiper avant d'essayer d'allumer le barbecue. Le non respect de cette mesure de sécurité pourrait entraîner un embrasement explosif susceptible de provoquer une blessure grave ou la mort.

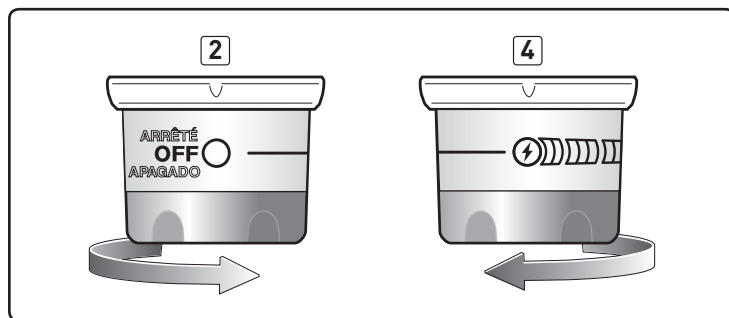
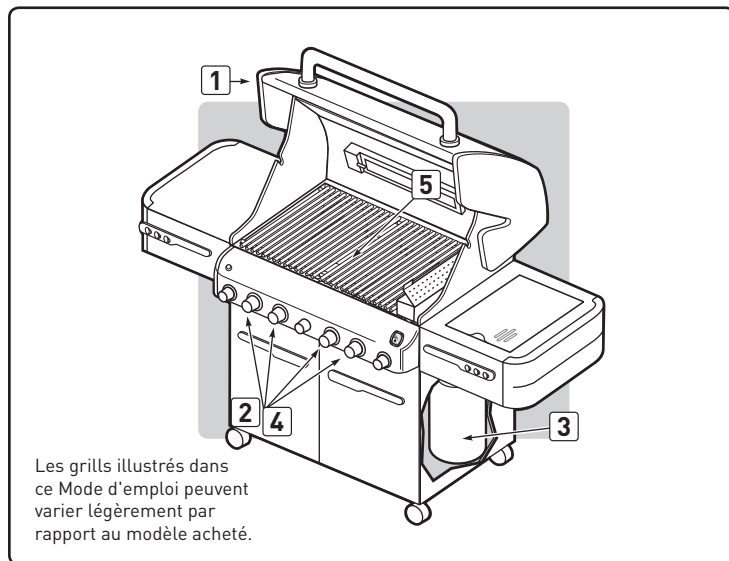
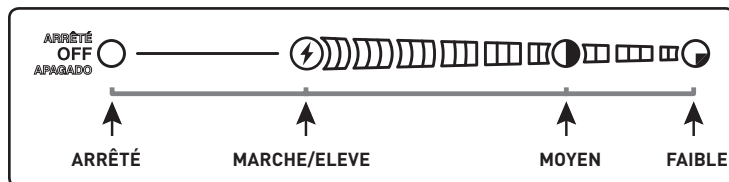
C) Ouvrez la vanne du réservoir GPL en la tournant dans le sens anti-horaire, puis attendez 60 secondes (3).

⚠ **MISE EN GARDE** : Ne vous penchez pas au-dessus du barbecue ouvert.

D) Enfoncez le bouton de commande et tournez-le vers MARCHE/ELEVE jusqu'à ce que vous entendiez le déclic de l'allumeur (4); maintenez le bouton de commande enfoncé pendant deux secondes. Cette action envoie une étincelle vers l'allumeur, le tube d'allumage du brûleur, puis le brûleur principal.

E) Vérifiez que le brûleur est allumé en regardant à travers les grilles de cuisson (5). Vous devriez voir une flamme. Si le brûleur ne s'allume pas au premier essai, enfoncez le bouton de commande et positionnez-le sur ARRÊTÉ. Répétez la procédure d'allumage une seconde fois.

⚠ **MISE EN GARDE** : Si le brûleur ne s'allume toujours pas, tournez le bouton de commande du brûleur et positionnez-le sur ARRÊTÉ puis patientez cinq minutes pour laisser le gaz se dissiper avant d'essayer à nouveau ou essayez de l'allumer avec une allumette. ♦



POUR ETEINDRE

Enfoncez et tournez chaque bouton de commande du brûleur dans le sens des aiguilles d'une montre vers la position ARRÊTÉ. Fermez l'arrivée de gaz à la source. ♦

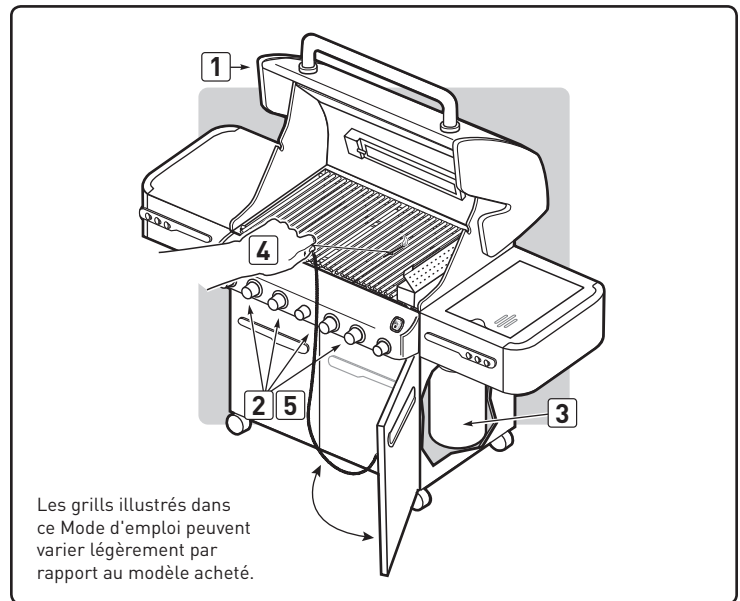
ALLUMAGE & UTILISATION DU BRULEUR PRINCIPAL

ALLUMAGE MANUEL DU BRULEUR PRINCIPAL

⚠ DANGER

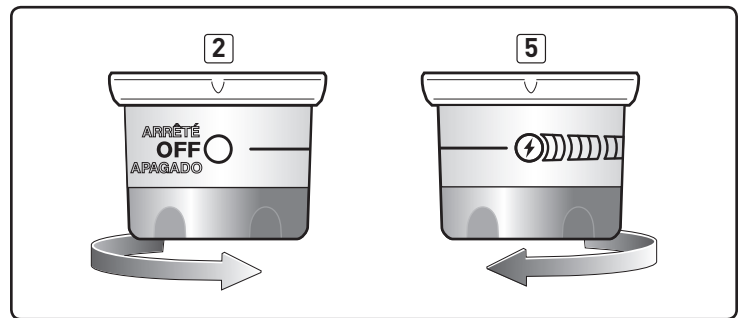
Le fait de ne pas ouvrir le couvercle lorsque vous allumez les brûleurs du barbecue, ou de ne pas patienter cinq minutes pour laisser le gaz se dissiper si le barbecue ne s'allumait pas, pourrait provoquer un embrasement explosif susceptible de provoquer une blessure grave ou la mort.

- A) Ouvrez le couvercle (1).
- B) Assurez-vous que tous les boutons de commande du brûleur sont fermés (2). (Enfoncez chaque bouton et tournez-le dans le sens des aiguilles d'une montre pour vous assurer qu'il est positionné sur ARRÊTÉ.)
- ⚠ **MISE EN GARDE :** Les boutons de commande du brûleur doivent être positionnés sur ARRÊTÉ avant que vous ouvriez la valve de la bouteille de propane liquide. S'ils ne sont pas positionnés sur ARRÊTÉ, lorsque vous ouvrez la valve de la bouteille de PL, la fonction de "contrôle du débit de gaz excessif" s'active, limitant ainsi le débit de gaz en provenance de la bouteille de PL. Si cela se produisait, fermez la valve de la bouteille de PL et les boutons de commande du brûleur. Ensuite, recommencez.



⚠ DANGER

Lorsque la fonction de "contrôle du débit de gaz en excès" est activée, une petite quantité de gaz circule toujours vers les brûleurs. Une fois que vous avez fermé la bouteille de gaz et les boutons de commande du brûleur, patientez au moins cinq minutes pour laisser le gaz se dissiper avant de tenter d'allumer le barbecue. Le non respect de cette mesure de sécurité risque d'entraîner un embrasement explosif susceptible de provoquer une blessure grave ou la mort.



- C) Ouvrez la vanne du réservoir GPL en la tournant dans le sens anti-horaire, puis attendez 60 secondes (3).
- D) Placez l'allumette dans le porte-allumettes puis frottez-la.
- ⚠ **MISE EN GARDE :** Ne vous penchez pas au-dessus du barbecue ouvert.
- E) Insérez le porte-allumettes et allumez le brûleur sélectionné à travers les grilles de cuisson et les barres FLAVORIZER (4).
- F) Enfoncez le bouton de commande et tournez-le vers MARCHÉ/ELEVE (5).
- G) Vérifiez que le brûleur est allumé en regardant à travers les grilles de cuisson (6). Vous devriez voir une flamme.
- ⚠ **MISE EN GARDE :** Si le brûleur ne s'allume pas, tournez le bouton de commande du brûleur pour le positionner sur ARRÊTÉ puis patientez cinq minutes pour laisser le gaz se dissiper avant d'essayer à nouveau. ♦

POUR ETEINDRE

Enfoncez et tournez chaque bouton de commande du brûleur dans le sens des aiguilles d'une montre pour le positionner sur ARRÊTÉ. Fermez l'arrivée de gaz à la source. ♦

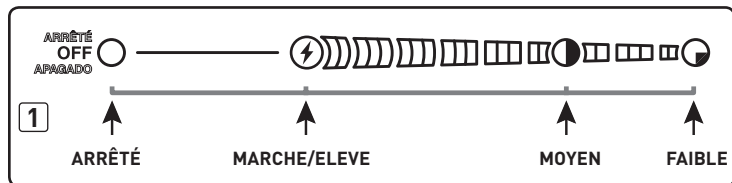
ASTUCES & CONSEILS UTILES POUR LES GRILLADES

- Préchauffez toujours le grill avant la cuisson. Réglez tous les brûleurs sur ELEVÉ puis fermez le couvercle; laissez chauffer pendant 10 minutes, ou jusqu'à ce que le thermomètre atteigne 500° – 550°F (260° – 288°C).
- Grillez les viandes et cuisinez avec le couvercle fermé pour des aliments grillés à la perfection à chaque fois.
- Les durées de grillade des recettes sont fournies pour une température extérieure de 70°F (20°C) avec peu ou pas de vent. Laissez les aliments cuire plus longtemps s'il fait froid ou s'il y a du vent, ou en altitude. Diminuez la durée de cuisson si le temps est extrêmement chaud.
- Les durées de grillade sont susceptibles de varier en fonction des conditions météorologiques, ou de la quantité, de la taille, et de la forme des aliments à griller.
- Il est possible que la température de votre grill à gaz atteigne un niveau plus élevé que la normale lors des premières utilisations.
- Les conditions de grillade peuvent nécessiter une adaptation des commandes du brûleur pour atteindre les températures de cuisson correctes.
- En général, les gros morceaux de viande nécessitent une durée de cuisson plus longue par livre que les petits morceaux de viande. Des aliments placés sur une grille de cuisson surchargée devront cuire plus longtemps qu'une petite quantité d'aliments. Les aliments grillés dans des récipients comme les haricots, nécessiteront une durée de cuisson plus longue s'ils sont grillés dans une casserole profonde que s'ils sont cuits dans un plat peu profond.
- Retirez le surplus de matière grasse des steaks, des côtes, et des rôtis en ne laissant pas plus d'1/4 pouce (6.4 mm) de matière grasse. Le fait qu'il y ait moins de matière grasse facilite le nettoyage, et constitue quasiment une garantie contre les embrasements indésirables.
- Les aliments placés directement sur la grille de cuisson au-dessus des brûleurs peuvent avoir besoin d'être retournés ou d'être déplacés vers une zone moins chaude.
- Utilisez des pinces plutôt que des fourchettes pour retourner et manipuler la viande afin d'éviter toute perte de jus de viande. Utilisez deux spatules pour manipuler les gros poissons entiers.
- En cas d'embrasement indésirable, fermez tous les brûleurs et déplacez les aliments vers une autre zone de la grille de cuisson. Toute flamme se résorbera rapidement. Une fois que les flammes se sont éteintes, rallumez le grill. **N'UTILISEZ JAMAIS D'EAU POUR ETEINDRE LES FLAMMES SUR UN GRILL A GAZ.**
- La cuisson de certains aliments, comme les ragoûts ou les filets de poisson fins, nécessite un récipient. Les plats en aluminium jetables sont très pratiques mais vous pouvez utiliser n'importe quel plat métallique avec des poignées utilisables au four.
- Assurez-vous toujours que le plateau de récupération des graisses amovible et l'égouttoir sont propres et ne contiennent aucun résidu.
- Ne recouvrez pas le plateau de récupération des graisses amovible avec du papier aluminium. Ceci pourrait empêcher la graisse de s'écouler vers l'égouttoir.
- L'utilisation d'un minuteur vous aidera à savoir lorsque la viande "bien cuite" est sur le point de devenir "trop cuite." ♦

PRÉCHAUFFAGE

Votre barbecue à gaz WEBER est un appareil qui utilise l'énergie de manière efficace. En fonctionnement, son évaluation BTU est faible et économique. Il est important de préchauffer votre grill avant de l'utiliser. Allumez votre grill en respectant les instructions du présent Manuel de l'Utilisateur. Pour le préchauffage : après l'allumage, positionnez tous les brûleurs sur MARCHE/ELEVÉ, fermez le couvercle, et laissez chauffer jusqu'à ce que la température atteigne un niveau situé entre 500° et 550° F (260° et 290° C), la température de cuisson recommandée. Ceci prendra 10 à 15 minutes en fonction de conditions comme la température de l'air et le vent.

Vous pouvez ajuster les brûleurs individuels selon ce que vous souhaitez. Les réglages des commandes sont MARCHE/ELEVÉ, MOYEN, FAIBLE, ou ARRÊTÉ (1).



Remarque : Les conditions de cuisson, comme le vent et les conditions climatiques, peuvent nécessiter l'ajustement des commandes du brûleur afin d'obtenir les températures de cuisson correctes.

Remarque : Si le grill perd de la chaleur pendant la cuisson, veuillez consulter la section intitulée Résolution des problèmes de ce manuel.

⚠ MISE EN GARDE : Ne déplacez pas le barbecue à gaz WEBER en cours d'utilisation ou lorsque celui-ci est très chaud.

Si les brûleurs s'éteignent pendant la cuisson, éteignez tous les brûleurs puis patientez cinq minutes avant de les allumer à nouveau. ♦

CUISSON COUVERTE

La totalité de la grillade s'effectue avec le couvercle fermé afin d'apporter une chaleur uniforme qui circule de façon homogène. Avec le couvercle fermé, le grill à gaz cuit d'une manière très semblable à un four à convection. Le thermomètre dans le couvercle indique la température de cuisson à l'intérieur du grill. La totalité du préchauffage et de la grillade s'effectue avec le couvercle fermé. N'ouvrez pas pour regarder — vous perdez de la chaleur à chaque fois que vous soulevez le couvercle. ♦

ÉCOULEMENTS DE JUS ET DE GRAISSES

Les barres FLAVORIZER sont conçues pour "fumer" la quantité correcte de jus pour une cuisson savoureuse. Les excédents de jus et de graisses vont s'accumuler dans l'égouttoir au-dessous du plateau de récupération des graisses amovible. Des égouttoirs jetables en aluminium sont disponibles ; ils s'adaptent parfaitement à l'égouttoir.

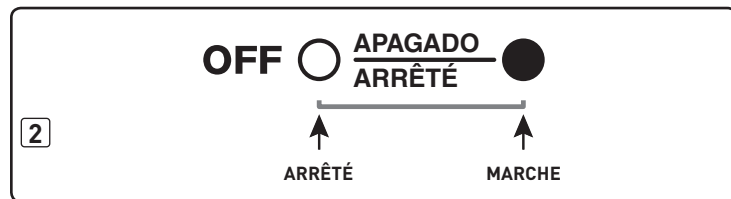
⚠ MISE EN GARDE : Vérifiez le plateau de récupération des graisses amovible ainsi que l'égouttoir afin de détecter toute accumulation de graisse avant chaque utilisation. Retirez tout excès de matière grasse afin d'éviter un embrasement de graisse à l'intérieur du plateau de récupération des graisses amovible. ♦

SYSTÈME FLAVORIZER

Lorsque les jus de viandes s'écoulent des aliments vers les barres FLAVORIZER disposées selon un angle particulier, elles créent de la fumée qui donne aux aliments une saveur de barbecue irrésistible. Grâce à la conception unique des brûleurs, des barres FLAVORIZER et aux commandes de température souples, les embrasements incontrôlés sont presque éliminés, parce que VOUS contrôlez les flammes. En raison du design particulier des barres FLAVORIZER et des brûleurs, les graisses en excès sont orientées vers le plateau de récupération des graisses amovible puis dans l'égouttoir. ♦

SEAR STATION

Votre grill à gaz WEBER comprend peut-être un brûleur qui permet de saisir les viandes et le poisson. Le brûleur SEAR STATION propose les réglages OFF, START/HI, ou LOW (2) et ces réglages fonctionnent avec les deux brûleurs principaux adjacents. Avec le brûleur sear et les brûleurs adjacents vous pouvez saisir efficacement les viandes tout en utilisant les autres zones de cuisson pour cuire à température modérée (voir la section "ALLUMAGE & UTILISATION DU BRÛLEUR SEAR STATION"). ♦



METHODES DE CUISSON

La chose la plus importante à connaître à propos des grillades est le choix de la méthode de cuisson à utiliser pour un aliment particulier, la méthode directe ou indirecte. La différence est simple : placez les aliments directement au-dessus du feu, ou organisez le feu de part et d'autre des aliments. L'utilisation de la bonne méthode constitue le moyen le plus court pour obtenir des résultats formidables et la meilleure façon de garantir une bonne cuisson en toute sécurité. ♦

CUISSON DIRECTE

La méthode directe, semblable au réchauffage, signifie que les aliments sont cuits directement au-dessus de la source de chaleur. Pour une cuisson homogène, les aliments devraient être retournés une fois au milieu du temps de cuisson. Utilisez la méthode directe pour les aliments dont la cuisson dure moins de 25 minutes : les steaks, les côtes, les kebabs, les saucisses, les légumes, etc.

La cuisson directe est également nécessaire pour saisir les viandes. Le fait de saisir les viandes crée cette merveilleuse texture craquante, caramélisée à l'endroit où les aliments sont en contact avec la grille. Cela donne également une couleur et une saveur agréables à toute la surface. Les steaks, les côtes, les filets de poulet, et les gros morceaux de viande bénéficient tous de ce mode de cuisson.

Pour saisir les viandes, placez-les au-dessus de la source de forte chaleur directe pendant deux à cinq minutes de chaque côté. Les petits morceaux ont besoin de moins de temps de cuisson. Habituellement, une fois que vous avez saisi les aliments, vous finissez leur cuisson à une température inférieure. Vous pouvez terminer la cuisson des aliments à cuisson rapide en utilisant la méthode directe; utilisez la méthode indirecte pour les aliments à cuisson lente.

Pour paramétrer votre grill à gaz pour la cuisson directe, préchauffez le grill en réglant tous les brûleurs sur ELEVÉ. Placez les aliments sur la grille de cuisson, puis réglez tous les brûleurs à la température indiquée dans la recette. Fermez le couvercle du grill et soulevez-le uniquement pour retourner les aliments ou pour contrôler l'état de la cuisson au terme de la durée de cuisson recommandée. ♦

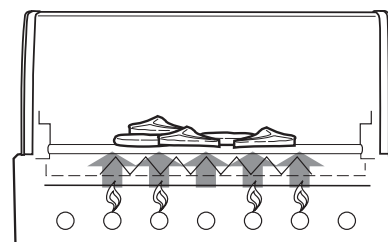
CUISSON INDIRECTE

La méthode indirecte est semblable au rôti mais avec en plus les bénéfices de cette texture grillée, de cette saveur et de cet aspect que vous ne pouvez pas obtenir au four. Pour préparer le grill pour la cuisson indirecte, les brûleurs à gaz sont allumés de chaque côté des aliments mais pas directement au-dessous d'eux. La température augmente, la chaleur est réfléchiée par le couvercle et les surfaces internes du grill, et circule pour cuire lentement les aliments de façon homogène de tous les côtés, d'une manière très semblable à ce qui se passe dans un four à convection, alors vous n'avez pas besoin de retourner les aliments.

Utilisez la méthode indirecte pour les aliments nécessitant une durée de grillade de 25 minutes ou plus ou qui sont si délicats qu'une exposition directe à la flamme les dessècherait ou les ferait roussir. Les exemples sont notamment les rôtis, les petites côtes, les poulets entiers, les dindes, et les autres gros morceaux de viande, ainsi que les filets de poisson délicats.

Pour régler votre grill à gaz pour la cuisson indirecte, préchauffez le grill avec tous les brûleurs sur ELEVÉ. Ajustez ensuite les brûleurs de chaque côté des aliments pour atteindre la température indiquée dans la recette puis fermez le(s) brûleur(s) situé(s) directement au-dessous des aliments. Pour un résultat optimal, placez les rôtis, la volaille ou les gros morceaux de viande sur une grille à rôtir à l'intérieur d'un plat en aluminium rigide jetable. Pour des durées de cuisson plus longues, ajoutez de l'eau dans le plat en aluminium pour empêcher le jus de viande de brûler. Vous pouvez utiliser le jus de viande pour faire de la gravy ou des sauces. ♦

4 BRÛLEURS

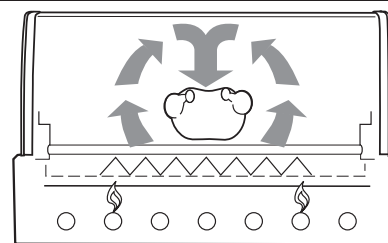


1 2 3 4
H H H H

CUISSON DIRECTE

La nourriture se place sur les grilles de cuisson juste au-dessus des brûleurs.

4 BRÛLEURS



1 2 3 4
M M

CUISSON INDIRECTE

La nourriture se place sur les grilles de cuisson entre les brûleurs.

ALLUMAGE & UTILISATION DU BRULEUR LATERAL

ALLUMAGE DU BRULEUR LATERAL

Vous trouverez des instructions d'allumage résumées à l'intérieur de la porte gauche du placard.

⚠ DANGER

Le fait de ne pas ouvrir le couvercle lorsque vous allumez le brûleur latéral, ou de ne pas patienter cinq minutes pour laisser le gaz se dissiper si le brûleur latéral ne s'allumait pas, pourrait provoquer un embrasement explosif susceptible d'entraîner une blessure grave ou la mort.

⚠ **MISE EN GARDE:** Vérifiez le tuyau avant chaque utilisation du barbecue afin de détecter toute entaille, fissure, abrasion ou coupure. Si vous trouvez que le tuyau est détérioré de quelque manière que ce soit, n'utilisez pas le barbecue. Remplacez-le en utilisant uniquement un tuyau de rechange agréé par WEBER. Veuillez entrer en contact avec le Représentant du Service clientèle le plus proche au moyen des coordonnées à votre disposition sur notre site Internet. Connectez-vous sur www.weber.com.

- A) Ouvrez le couvercle du brûleur latéral (1).
- B) Vérifiez que le brûleur latéral est positionné sur ARRÊTÉ (2). (Enfoncez le bouton de commande et tournez dans le sens des aiguilles d'une montre pour vous assurer qu'il est positionné sur ARRÊTÉ) (Enfoncez et tournez dans le sens des aiguilles d'une montre).
- C) Ouvrez la valve d'arrivée de gaz (3).
- D) Enfoncez et tournez la valve de commande du brûleur latéral vers MARCHE/ELEVE (4).
- E) Enfoncez le bouton d'allumage plusieurs fois de sorte que celui-ci émette un dé clic à chaque fois jusqu'à ce que vous voyez une flamme (5).

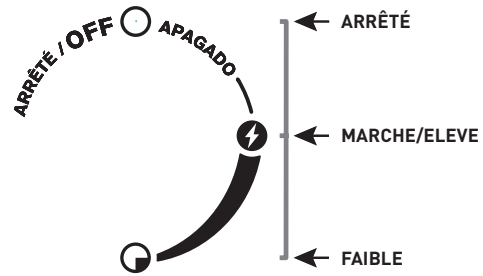
⚠ **ATTENTION:** Il peut être difficile de voir la flamme du brûleur latéral par une journée claire et ensoleillée.

⚠ **MISE EN GARDE:** si le brûleur latéral ne s'allume pas dans un délai de cinq secondes:

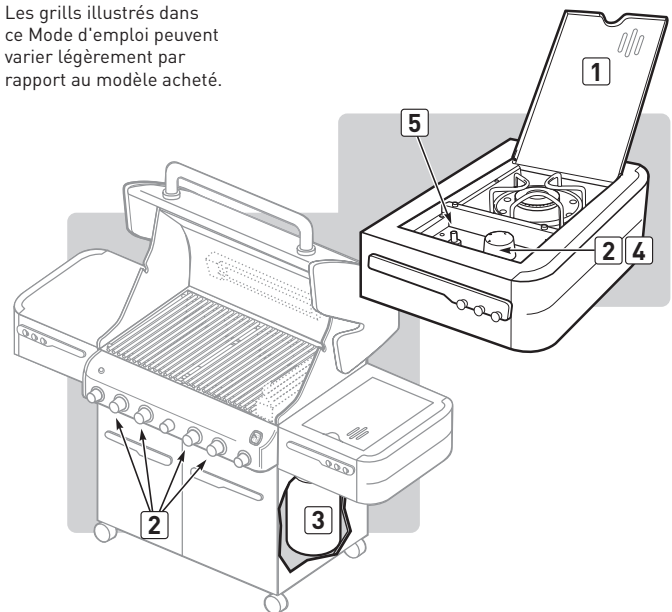
- a) Fermez la valve de commande du brûleur latéral, les brûleurs principaux et l'arrivée de gaz à la source.
- b) Patientez cinq minutes pour laisser le gaz se dissiper avant d'essayer à nouveau, ou essayez de l'allumer avec une allumette (voir "ALLUMAGE MANUEL DU BRULEUR LATERAL"). ♦

POUR ETEINDRE

Enfoncez et tournez le bouton de commande du brûleur latéral vers la position d'ARRÊT (OFF). Assurez-vous que le brûleur est éteint et qu'il a refroidi avant de fermer le couvercle du brûleur latéral. ♦



Les grills illustrés dans ce Mode d'emploi peuvent varier légèrement par rapport au modèle acheté.



ALLUMAGE & UTILISATION DU BRULEUR LATÉRAL

ALLUMAGE MANUEL DU BRULEUR LATÉRAL

⚠ DANGER

Le fait de ne pas ouvrir le couvercle lorsque vous allumez le brûleur latéral ou de ne pas patienter cinq minutes pour laisser le gaz se dissiper si le brûleur latéral ne s'allumait pas pourrait provoquer un embrasement explosif susceptible de provoquer une blessure grave ou la mort.

- A) Ouvrez le couvercle du brûleur latéral (1).
- B) Vérifiez que le brûleur latéral est positionné sur ARRÊTÉ (2). (Enfonchez le bouton de commande et tournez dans le sens des aiguilles d'une montre pour vous assurer qu'il est positionné sur ARRÊTÉ), positionnez tous les brûleurs inutilisés sur ARRÊTÉ (Enfonchez et tournez dans le sens des aiguilles d'une montre).
- C) Ouvrez la valve d'arrivée de gaz (3).
- D) Placez une allumette dans un porte-allumette et frottez-la.
- E) Tenez le porte-allumette et allumez les deux côtés du brûleur avec l'allumette (4).
- F) Enfonchez et tournez la valve de commande du brûleur latéral pour la positionner sur MARCHE/ELEVE (5).

⚠ **ATTENTION: Il peut être difficile de distinguer la flamme du brûleur latéral par une journée claire et ensoleillée.**

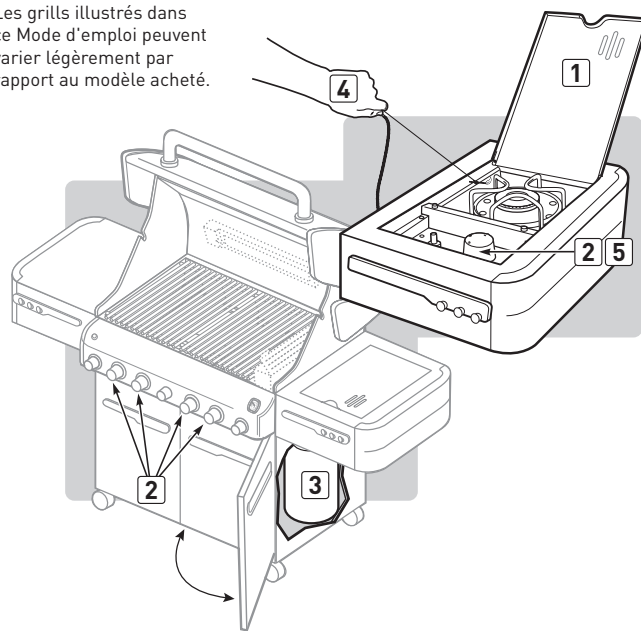
⚠ **MISE EN GARDE: si le brûleur latéral ne s'allume pas dans un délai de cinq secondes:**

- a) Fermez la valve de commande du brûleur latéral, les brûleurs principaux et l'arrivée de gaz à la source.
- b) Patientez cinq minutes pour laisser le gaz se dissiper avant d'essayer à nouveau. ♦

POUR ÉTEINDRE

Enfonchez et tournez le bouton de commande du brûleur latéral vers la position d'ARRÊT (OFF). Assurez-vous que le brûleur est éteint et qu'il a refroidi avant de fermer le couvercle du brûleur latéral. ♦

Les grills illustrés dans ce Mode d'emploi peuvent varier légèrement par rapport au modèle acheté.



ALLUMAGE & UTILISATION DE VOTRE SEAR STATION

ALLUMAGE DU BRULEUR SEAR STATION

Vous trouverez des instructions d'allumage résumées à l'intérieur de la porte gauche du meuble.

⚠ DANGER

Le fait de ne pas ouvrir le couvercle pendant l'allumage des brûleurs du barbecue, ou de ne pas patienter cinq minutes pour laisser le gaz se dissiper si le barbecue ne s'allumait pas, peut provoquer un embrasement explosif susceptible d'entraîner une blessure grave ou un décès.

Le brûleur SEAR STATION est pourvu d'une commande de mise marche/arrêt. Pour allumer le brûleur SEAR STATION, vous devez d'abord allumer les deux brûleurs principaux adjacents.

Allumage Automatique des Brûleurs Principaux Adjacents

Remarque : Chacun des allumeurs automatiques des boutons de commande des brûleurs produit une étincelle à partir de l'électrode de l'allumeur vers le tube d'allumage du brûleur. C'est vous qui générez l'énergie nécessaire à la production de l'étincelle en enfonçant le bouton de commande et en le positionnant sur MARCHE/ELEVE. Ceci allume chaque brûleur individuel.

⚠ **MISE EN GARDE** : Inspectez le tuyau avant toute utilisation du barbecue afin de détecter toute trace d'entaille, de fissure, d'abrasions ou de coupures. Si le tuyau se révèle détérioré de quelque manière que ce soit, n'utilisez pas le barbecue. Remplacez le tuyau en utilisant uniquement un tuyau de rechange homologué par WEBER. Contactez le Représentant du Service clientèle le plus proche grâce aux coordonnées à votre disposition sur notre site Internet. Connectez-vous sur www.weber.com.

A) Ouvrez le couvercle (1).

B) Assurez-vous que tous les boutons de commande du brûleur sont positionnés sur ARRÊTÉ (2). (Enfoncez le bouton de commande et tournez-le dans le sens des aiguilles d'une montre pour vous assurer qu'il est positionné sur ARRÊTÉ.)

⚠ **MISE EN GARDE** : Les boutons de commande du brûleur doivent être positionnés sur ARRÊTÉ avant d'ouvrir la valve de la bouteille de propane liquide. S'ils ne sont pas positionnés sur ARRÊTÉ, lorsque vous ouvrirez la valve de la bouteille de PL la fonction de "contrôle du débit de gaz en excès" va s'activer et limiter le débit du gaz en provenance de la bouteille de PL. Si cela se produisait, fermez la valve de la bouteille de PL et positionnez les boutons de commande du brûleur sur ARRÊTÉ. Ensuite, recommencez.

⚠ DANGER

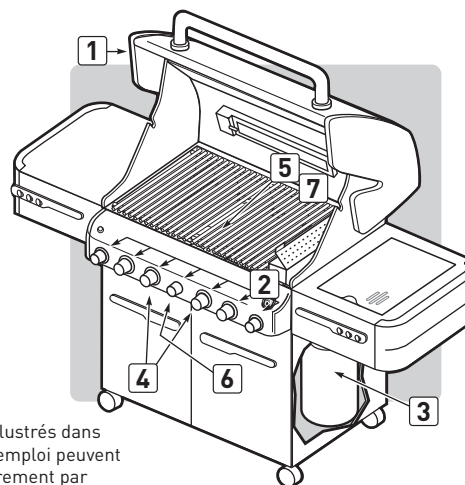
Lorsque la fonction de "contrôle du débit de gaz en excès" est activée, une petite quantité de gaz circule toujours en direction des brûleurs. Après avoir fermé la bouteille de gaz et les boutons de commande du brûleur, patientez au moins cinq minutes pour laisser le gaz se dissiper avant de tenter d'allumer le grill. Le non respect de cette mesure de sécurité risque de provoquer une blessure grave ou un décès.

C) Ouvrez la vanne du réservoir GPL en la tournant dans le sens anti-horaire, puis attendez 60 secondes (3).

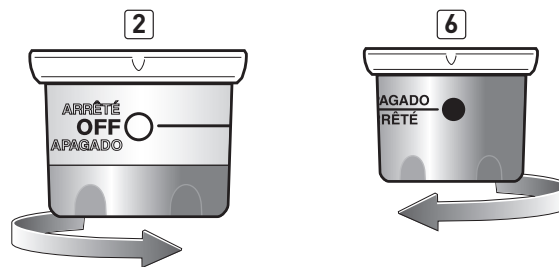
⚠ **MISE EN GARDE** : Ne vous penchez pas au-dessus du barbecue ouvert.

D) Allumez chacun des brûleurs principaux adjacents du brûleur SEAR STATION (4). Enfoncez le bouton de commande et positionnez-le sur MARCHE/ELEVE jusqu'à ce que vous entendiez le déclic de l'allumeur; continuez à maintenir le bouton de commande enfoncé pendant deux secondes. Cette action produit une étincelle au niveau de l'allumeur, du tube d'allumage du brûleur, puis du brûleur principal.

E) Vérifiez que le brûleur est allumé en regardant à travers les grilles de cuisson (5). Vous devriez voir une flamme. Si le brûleur ne s'allume pas au premier essai, enfoncez le bouton de commande et positionnez-le sur ARRÊTÉ. Répétez la procédure d'allumage une seconde fois.



Les grills illustrés dans ce Mode d'emploi peuvent varier légèrement par rapport au modèle acheté.



Allumage du Brûleur SEAR STATION : Allumage depuis un Brûleur Principal Allumé Adjacent

F) Positionnez le bouton de commande du brûleur SEAR STATION sur ON (6).

G) Vérifiez l'allumage du brûleur en effectuant une inspection visuelle de la flamme (7).

⚠ **MISE EN GARDE** : Si l'allumage ne se produit pas sous cinq secondes, positionnez la commande du brûleur sur ARRÊTÉ, patientez cinq minutes, puis répétez les étapes F & G, ou consultez les instructions de la section "ALLUMAGE MANUEL DU BRULEUR SEAR STATION".

⚠ **MISE EN GARDE** : Si le brûleur ne s'allume toujours pas, positionnez le bouton de commande du brûleur sur ARRÊTÉ puis patientez cinq minutes pour laisser le gaz se dissiper avant d'essayer à nouveau ou d'essayer d'allumer le brûleur à l'aide d'une allumette.

Remarque : Voir la Section "MAINTENANCE" pour plus d'informations sur le retrait et la procédure de nettoyage du brûleur. ♦

POUR ETEINDRE

Enfoncez chaque bouton de commande et tournez-le dans le sens des aiguilles d'une montre pour le positionner sur ARRÊTÉ. Fermez l'arrivée de gaz à la source. ♦

ALLUMAGE & UTILISATION DE VOTRE SEAR STATION

ALLUMAGE MANUEL DU BRULEUR SEAR STATION

⚠ DANGER

Le fait de ne pas ouvrir le couvercle pendant l'allumage des brûleurs du barbecue, ou de ne pas patienter cinq minutes pour laisser le gaz se dissiper si le barbecue ne s'allumait pas, pourrait provoquer un embrasement explosif susceptible de provoquer une blessure grave ou un décès.

Le brûleur SEAR STATION est pourvu d'une commande de mise en marche/arrêt. Pour allumer le brûleur SEAR STATION, vous devez d'abord allumer les deux brûleurs principaux adjacents.

Allumage Automatique du Brûleur Principal Adjacent

Remarque : Chacun des allumeurs automatiques des boutons de commande du brûleur principal crée une étincelle à partir de l'électrode de l'allumeur vers le tube d'allumage du brûleur. C'est vous qui générez l'énergie nécessaire à la production de l'étincelle en enfonçant le bouton de commande et en le positionnant sur MARCHE/ELEVE. Ceci allume chaque brûleur individuel.

- A) Ouvrez le couvercle (1).
- B) Vérifiez que chacun des brûleurs principaux adjacents du brûleur Sear Station® est allumé en procédant à une inspection visuelle de la flamme (2).
- C) Placez une allumette dans le porte-allumettes et frottez-la.
- ⚠ **MISE EN GARDE : Ne vous penchez pas au-dessus du barbecue ouvert.**
- D) Insérez le porte-allumettes et l'allumette allumée à travers les grilles de cuisson et les barres FLAVORIZER pour allumer le brûleur SEAR STATION (3).
- E) Enfoncez le bouton de commande du brûleur SEAR STATION et positionnez-le sur ON (4).

- ⚠ **MISE EN GARDE : Si le brûleur ne s'allume pas, positionnez le bouton de commande du brûleur sur ARRÊTÉ et patientez cinq minutes pour laisser le gaz se dissiper avant d'essayer à nouveau.**

Remarque : Voir la section "MAINTENANCE" pour des informations sur le retrait du brûleur et la procédure de nettoyage. ♦

POUR ETEINDRE

Enfoncez et tournez chaque bouton de commande dans le sens des aiguilles d'une montre vers la position ARRÊTÉ. Fermez l'arrivée de gaz à la source. ♦

UTILISATION DU BRULEUR SEAR STATION

Votre barbecue à gaz WEBER est livré avec un brûleur à saisir (pour saisir les viandes comme les steaks, les pièces de volaille, le poisson et les côtes).

La saisie est une technique de cuisson au grill directe qui fait brunir la surface des aliments à une température élevée. En saisissant ou en faisant dorer les deux côtés de la viande, vous créez une saveur plus souhaitable en caramélisant la surface des aliments. La saisie optimise également l'aspect de la viande grâce aux marques de saisie laissées par les grilles de cuisson. Ceci combiné au contraste des textures et des saveurs peut rendre les aliments plus intéressants pour le palais.

Le brûleur SEAR STATION est pourvu d'une commande de mise en marche/arrêt qui fonctionne avec les deux brûleurs principaux adjacents. Avec le brûleur à saisir et les deux brûleurs adjacents, vous pouvez saisir efficacement les viandes tout en utilisant les autres surfaces de cuisson pour cuisiner à température modérée.

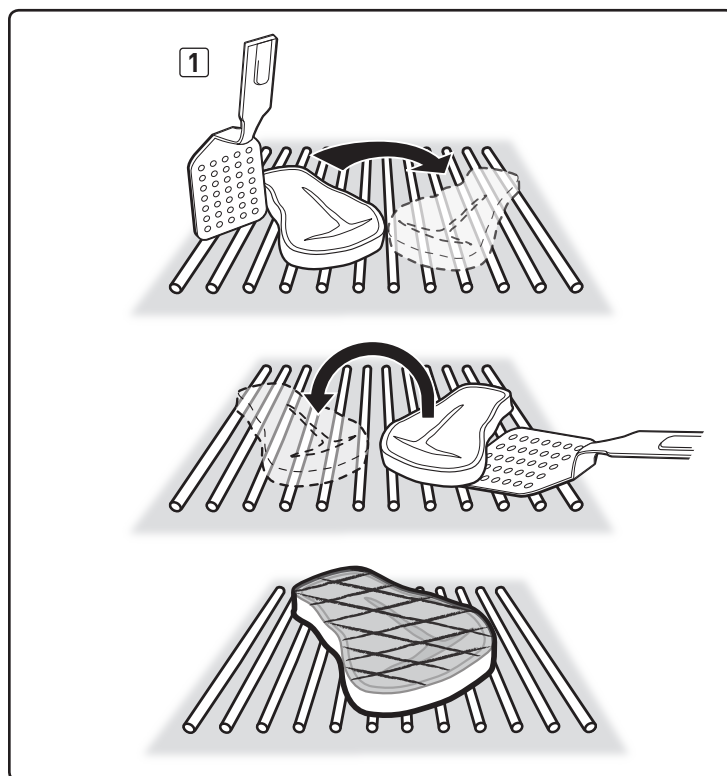
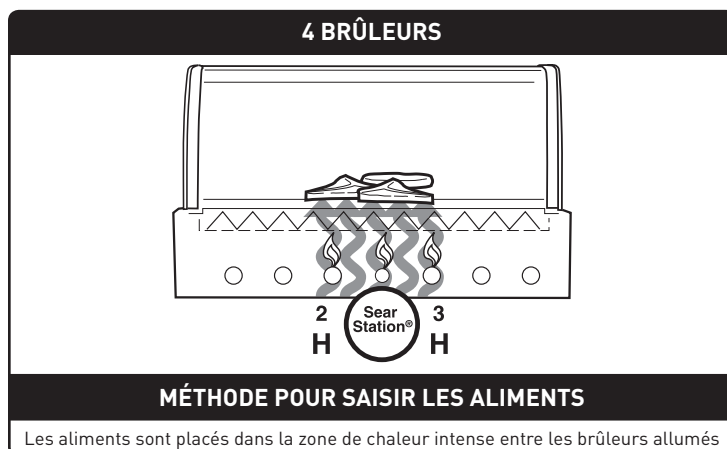
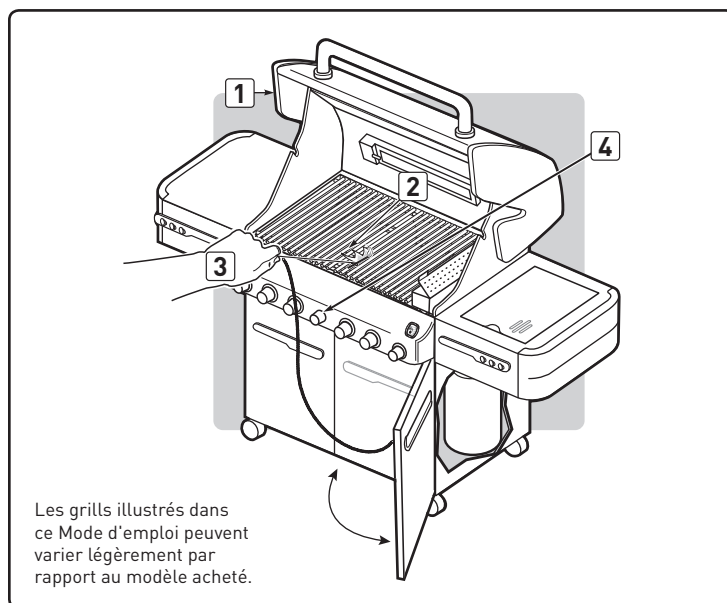
Avant de saisir les aliments, vous devriez positionner tous les brûleurs principaux sur ELEVE pendant 15 minutes pour préchauffer le grill. Remarque : Grillez toujours les aliments avec le couvercle fermé pour obtenir un maximum de chaleur et éviter les embrasements.

Une fois que le grill a été préchauffé, éteignez les brûleurs extérieurs ou réglez-les sur une faible puissance. Laissez les deux brûleurs centraux positionnés sur ELEVE et allumez le brûleur Sear Station.

Placez la viande directement sur le brûleur SEAR STATION. Vous saisirez chaque côté d'une à quatre minutes, en fonction du type de viande et de son épaisseur. Vous pouvez retourner les aliments d'un quart de tour pour obtenir des marques de grillade croisées (1) avant de saisir l'autre côté de la même manière.

Une fois que vous avez saisi les aliments, vous pouvez terminer la grillade en déplaçant la viande vers une température plus modérée sur les brûleurs externes pour atteindre le niveau de cuisson souhaité.

Au fur et à mesure que vous gagnez en expérience avec votre brûleur SEAR STATION, nous vous encourageons à expérimenter différentes durées de saisie afin de découvrir les résultats les plus adaptés à votre goût. ♦



ALLUMAGE & UTILISATION DU BRULEUR DU FUMOIR

ALLUMAGE DU BRULEUR DU FUMOIR

⚠ DANGER

Le fait de ne pas ouvrir le couvercle lorsque vous allumez le grill, ou de ne pas patienter cinq minutes pour laisser le gaz se dissiper si le grill ne s'allumait pas, pourrait entraîner un embrasement explosif susceptible de provoquer une blessure grave ou la mort.

Bouton d'Allumage du Brûleur du Fumoir

Remarque : Le dispositif d'allumage du bouton de commande crée une étincelle à partir de l'électrode de l'allumeur en direction du tube d'allumage du brûleur. vous générez l'énergie nécessaire à la création de l'étincelle en enfonçant le bouton de commande et en le positionnant sur MARCHE/ELEVE. Ceci allume le brûleur du fumoir.

⚠ **MISE EN GARDE** : Vérifiez le tuyau avant chaque utilisation du grill afin de détecter toute entaille, fissure, abrasion ou coupure. Si le tuyau se révèle détérioré de quelque manière, n'utilisez pas le grill. Ne remplacez le tuyau que par un tuyau de rechange agréé par WEBER. Veuillez entrer en contact avec le Représentant du Service clientèle le plus proche grâce aux coordonnées à votre disposition sur notre site Internet. Connectez-vous sur www.weber.com.

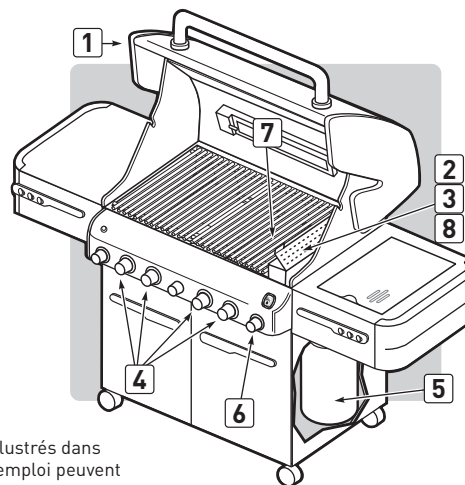
- A) Ouvrez le couvercle du grill (1).
- B) Ouvrez le couvercle du boîtier du fumoir (2).
- C) Remplissez le fumoir de petits morceaux de bois ou de copeaux imbibés d'eau (3).
- D) Assurez-vous que la totalité des boutons de commandes des brûleurs inutilisés est positionnée sur ARRÊTÉ (4). (Enfoncez le bouton de commande et tournez dans le sens des aiguilles d'une montre pour vous assurer qu'il est positionné sur ARRÊTÉ.)

⚠ **MISE EN GARDE** : Les boutons de commande du brûleur doivent être positionnés sur ARRÊTÉ avant que vous ouvriez la valve de la bouteille de propane liquide. S'ils ne sont pas positionnés sur ARRÊTÉ, lorsque vous ouvrez la valve de la bouteille de PL, la fonction de "contrôle du débit de gaz en excès" s'active, limitant ainsi le débit de gaz en provenance de la bouteille de PL. Si cela se produisait, fermez la valve de la bouteille de PL et les boutons de commande des brûleurs. Ensuite, recommencez.

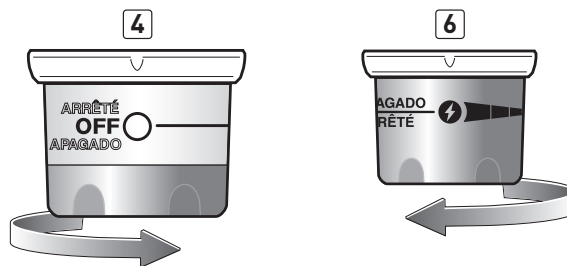
⚠ DANGER

Lorsque la fonction de "contrôle du débit de gaz en excès" est activée, une petite quantité de gaz circule toujours en direction des brûleurs. Une fois que vous avez fermé la bouteille de gaz et les boutons de commande des brûleurs, patientez au moins cinq minutes pour laisser le gaz se dissiper avant de tenter d'allumer le grill. Le non respect de cette mesure de sécurité pourrait entraîner un embrasement explosif, susceptible de provoquer une blessure ou la mort.

- E) Ouvrez la vanne du réservoir GPL en la tournant dans le sens anti-horaire, puis attendez 60 secondes (5).
- ⚠ **MISE EN GARDE** : Ne vous penchez pas au-dessus du grill ouvert pendant que vous l'allumez.
- F) Enfoncez le bouton de commande puis positionnez-le sur MARCHE/ELEVE jusqu'à ce que vous entendiez l'allumeur émettre un déclic (6); continuez à maintenir le bouton de commande enfoncé pendant deux secondes. Cette action déclenchera des étincelles au niveau de l'allumeur, du tube d'allumage du brûleur, puis du brûleur du fumoir.
- G) Vérifiez que le brûleur est allumé en regardant à travers les grilles de cuisson (7). Vous devriez voir une flamme. si le brûleur ne s'allume pas au premier essai, enfoncez le bouton de commande et positionnez-le sur ARRÊTÉ. Recommencez la procédure d'allumage une seconde fois.



Les grills illustrés dans ce Mode d'emploi peuvent varier légèrement par rapport au modèle acheté.



⚠ DANGER

Si le brûleur du fumoir ne s'allume toujours pas, positionnez le bouton de commande du brûleur sur ARRÊTÉ puis patientez cinq minutes pour laisser le gaz se dissiper avant d'essayer à nouveau, ou d'essayer d'allumer le brûleur avec une allumette (voir "ALLUMAGE MANUEL DU BRULEUR DU FUMOIR").

- H) Fermez le couvercle du boîtier du fumoir (8) une fois que le bois a commencé à brûler, puis positionnez le bouton de commande sur LOW. ♦

POUR ETEINDRE

Enfoncez et tournez chaque bouton de commande des brûleurs dans le sens des aiguilles d'une montre en position ARRÊTÉ. Fermez l'arrivée de gaz à la source. ♦

ALLUMAGE & UTILISATION DU BRULEUR DU FUMOIR

ALLUMAGE MANUEL DU BRULEUR DU FUMOIR

⚠ MISE EN GARDE : Vérifiez le tuyau avant chaque utilisation du grill afin de détecter toute entaille, fissure, abrasions ou coupure. Si le tuyau s'avère détérioré de quelque manière, n'utilisez pas le grill. Remplacez le tuyau par un tuyau de rechange agréé par WEBER uniquement. Veuillez entrer en contact avec le Représentant du Service clientèle de votre région grâce aux coordonnées à votre disposition sur notre site Internet. Connectez-vous sur www.weber.com.

A) Ouvrez le couvercle (1).

⚠ DANGER

Le fait de ne pas ouvrir le couvercle pendant que vous allumez le grill, ou de ne pas patienter cinq minutes pour laisser le gaz se dissiper si le grill ne s'allumait pas, pourrait entraîner un embrasement explosif susceptible de provoquer une blessure grave ou la mort.

B) Ouvrez le couvercle du boîtier du fumoir (2).

C) Remplissez le fumoir de petits morceaux de bois ou de pépites de bois imbibés d'eau (3).

D) Assurez-vous que la totalité des boutons de commandes des brûleurs inutilisés est positionnée sur ARRÊTÉ (4). (Enfoncez le bouton de commande et tournez dans le sens des aiguilles d'une montre pour vous assurer qu'il est positionné sur ARRÊTÉ.)

⚠ MISE EN GARDE : Les boutons de commande du brûleur doivent être positionnés sur ARRÊTÉ avant que vous ouvriez la valve de la bouteille de gaz propane liquide. S'ils ne sont pas positionnés sur ARRÊTÉ, lorsque vous ouvrez la valve de la bouteille de PL, la fonction de "contrôle du débit de gaz en excès" s'active, limitant ainsi le débit de gaz en provenance de la bouteille de PL. Si cela se produisait, fermez la bouteille de PL et les boutons de commande du brûleur. Ensuite, recommencez.

⚠ DANGER

Lorsque la fonction de "contrôle du débit de gaz en excès" est activée, une petite quantité de gaz circule toujours en direction des brûleurs. Une fois que vous avez fermé la bouteille de gaz et les boutons de commande du brûleur, patientez au moins cinq minutes pour laisser le gaz se dissiper avant de tenter d'allumer le grill. Le non respect de cette mesure de sécurité pourrait entraîner un embrasement explosif susceptible de provoquer une blessure grave ou la mort.

E) Ouvrez la vanne du réservoir GPL en la tournant dans le sens anti-horaire, puis attendez 60 secondes (5).

F) Placez une allumette dans le porte-allumettes puis frottez-la.

G) Insérez le porte-allumettes à travers les grilles de cuisson et les barres FLAVORIZER pour allumer le brûleur du fumoir avec l'allumette (6).

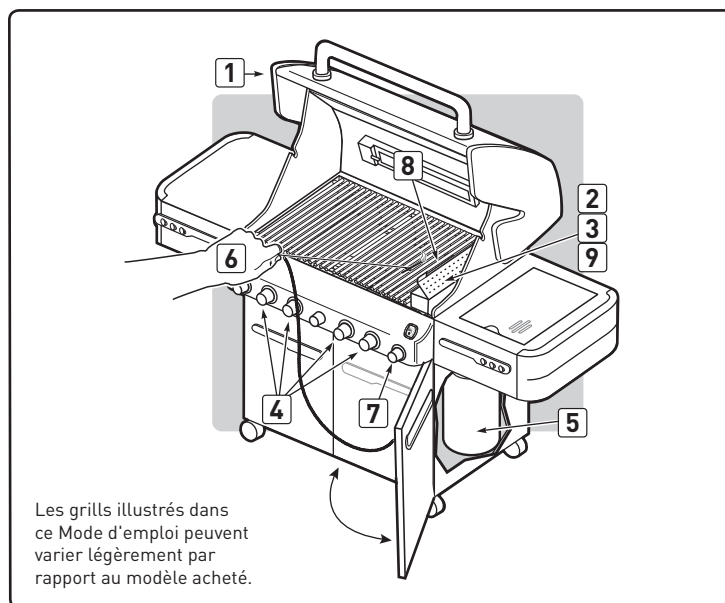
⚠ MISE EN GARDE : Ne vous penchez pas au-dessus du grill ouvert pendant que vous l'allumez.

H) Enfoncez le bouton de commande du brûleur du fumoir puis positionnez-le sur MARCHE/ELEVE (7).

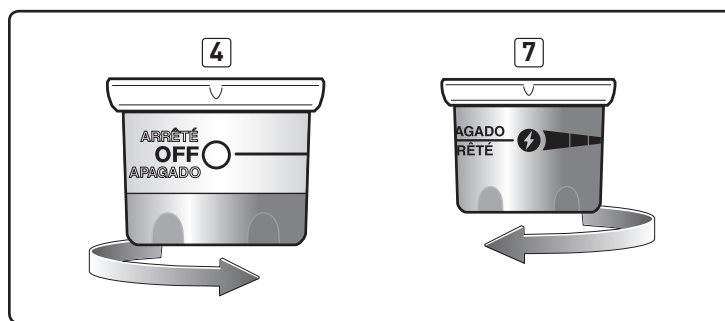
I) Vérifiez que le brûleur est allumé en regardant à travers la grille de cuisson (8).

⚠ DANGER

Si le brûleur du fumoir ne s'allume pas, positionnez le bouton de commande du brûleur sur ARRÊTÉ puis patientez cinq minutes pour laisser le gaz se dissiper avant d'essayer à nouveau.



Les grills illustrés dans ce Mode d'emploi peuvent varier légèrement par rapport au modèle acheté.



J) Fermez le couvercle du boîtier du fumoir une fois que le bois a commencé à brûler puis positionnez le bouton de commande sur LOW (9). ♦

POUR ETEINDRE

Enfoncez et tournez chaque bouton de commande du brûleur dans le sens des aiguilles d'une montre pour le positionner sur ARRÊTÉ. Fermez l'arrivée de gaz à la source. ♦

ALLUMAGE & UTILISATION DU BRULEUR DU FUMOIR

UTILISATION DU FUMOIR

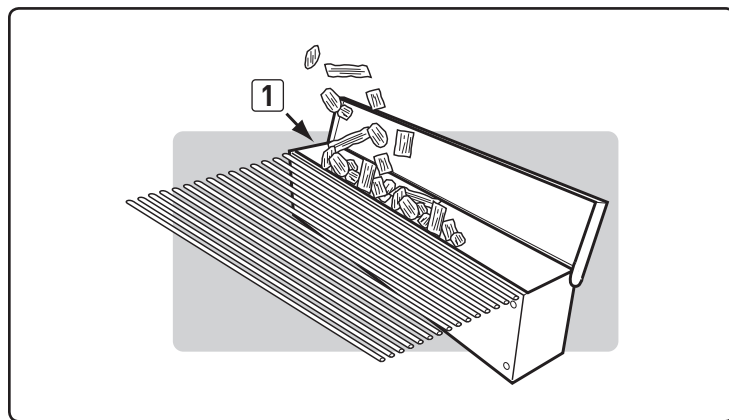
Le fumoir fonctionne avec de petits morceaux de bois imbibés d'eau au préalable. Pour un résultat optimal avec les aliments à cuisson rapide comme les steaks, les burgers, et les côtes, etc., nous recommandons l'utilisation de copeaux de bois plus fins parce que ceux-ci brûlent et produisent de la fumée plus rapidement. Pour les aliments à cuisson lente comme les rôtis, le poulet, et les dindes, etc., nous recommandons l'utilisation de morceaux de bois plus grands parce que ceux-ci brûlent lentement et fournissent de la fumée pendant plus longtemps. Au fur et à mesure que vous gagnez de l'expérience dans l'utilisation de votre fumoir, nous vous encourageons à expérimenter différents mélanges de pépites et de copeaux de bois pour trouver la saveur fumée la plus adaptée à vos goûts.

Pour commencer, plongez les copeaux de bois dans l'eau pendant au moins 20 minutes avant de les utiliser. (Du bois humide produit davantage de saveur fumée.) Placez une poignée de copeaux de bois ou quelques morceaux de bois plus gros au bas de la structure du fumoir (1). Au fur et à mesure que vous acquérez l'expérience du fumage, augmentez ou diminuez la quantité de bois pour l'adapter à vos goûts.

Remarque : Effectuez toujours vos grillades avec le couvercle fermé afin de permettre à la fumée de pénétrer totalement les aliments. Allumez le brûleur du fumoir en suivant les instructions pour "L'ALLUMAGE DU BRÛLEUR DU FUMOIR." Une fois que le bois a commencé à se consumer, positionnez le bouton de commande sur FAIBLE.

Le bois commence à fumer après environ 10 minutes et fume jusqu'à 45 minutes. Si vous avez besoin de plus de saveur fumée, rechargez le fumoir en pépites et/ou copeaux de bois. Maintenez le couvercle du grill fermé pendant la cuisson.

Remarque : Une fois que vous avez rechargé le fumoir, il faut environ 10 à 15 minutes pour que celui-ci produise à nouveau de la fumée. Vous pouvez utiliser le fumoir pour relever vos recettes de viande, de volaille, et de poisson. Cuisinez avec le couvercle fermé en respectant les durées indiquées dans les tableaux ou les recettes.



⚠ DANGER

N'utilisez pas de fluide inflammable pour allumer le bois dans le fumoir. Ceci provoquerait une blessure grave. ♦

NETTOYAGE DU FUMOIR

Avant chaque utilisation, videz les cendres du fumoir pour permettre une circulation d'air correcte.

Remarque : La fumée laisse un dépôt de "fumée" à la surface du fumoir. Ce dépôt ne peut pas être retiré et n'a aucune influence sur le fonctionnement du fumoir. A un degré moindre, un dépôt de "fumée" s'accumule à l'intérieur de votre grill à gaz. Ce dépôt n'a pas besoin d'être retiré et n'a aucune influence négative sur le fonctionnement de votre grill à gaz. ♦

ALLUMAGE & UTILISATION DU BRÛLEUR DE LA RÔTISSOIRE

ALLUMAGE DU BRÛLEUR DE LA RÔTISSOIRE

Bouton d'Allumage du Brûleur de la Rôtissoire

Remarque : L'allumeur de chaque bouton de commande crée une étincelle en provenance de l'électrode de l'allumeur vers le tube d'allumage du brûleur. Vous générez l'énergie nécessaire à la création de l'étincelle en enfonçant le bouton de commande et en le tournant vers MARCHE/ELEVE. Ceci allume chaque brûleur individuellement.

⚠ ATTENTION : LISEZ CECI AVANT D'ALLUMER LE BRÛLEUR DE LA RÔTISSOIRE

Après une période d'inutilisation, avant d'allumer le brûleur de la rôtissoire, quelques secondes doivent s'écouler pour que la conduite de gaz d'alimentation se remplisse.

Lorsque vous utilisez le bouton d'allumage, vous voyez un éclair de flammes se déplacer de gauche à droite à travers la surface du brûleur de la rôtissoire. Le brûleur de la rôtissoire n'est pas allumé tant que la totalité de la surface en céramique n'est pas allumée.

A partir de ce moment, commencez à décompter 20 secondes avant de relâcher le bouton de commande du brûleur de la rôtissoire.

La surface du brûleur de la rôtissoire rougeoit une fois que le brûleur est complètement allumé.

⚠ DANGER

Le fait de ne pas ouvrir le couvercle lorsque vous allumez le grill, ou de ne pas patienter cinq minutes pour laisser le gaz se dissiper si le grill ne s'allumait pas, pourrait entraîner un embrasement explosif susceptible de provoquer une blessure grave ou la mort.

⚠ ATTENTION : Il peut être difficile de voir la flamme du brûleur de la rôtissoire par une journée lumineuse et ensoleillée.

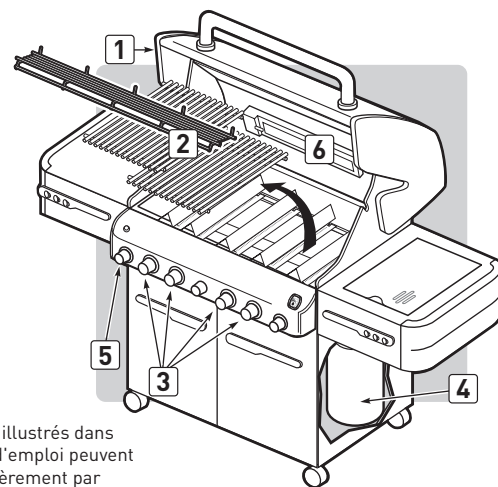
⚠ MISE EN GARDE : Vérifiez le tuyau avant chaque utilisation du grill afin de détecter toute entaille, fissure, abrasion ou coupure. Si le tuyau se révèle détérioré de quelque manière, n'utilisez pas le grill. Ne remplacez le tuyau que par un tuyau de rechange agréé par WEBER. Veuillez entrer en contact avec le Représentant du Service clientèle le plus proche grâce aux coordonnées à votre disposition sur notre site Internet. Connectez-vous sur www.weber.com.

A) Ouvrez le couvercle (1).
B) Retirez la grille de maintien au chaud et les grilles de cuisson du boîtier de cuisson (2).
C) Assurez-vous que tous les boutons de commande des brûleurs sont positionnés sur ARRÊTÉ (3). (Enfoncez le bouton de commande puis tournez-le dans le sens des aiguilles d'une montre pour vous assurer qu'il est positionné sur ARRÊTÉ.)

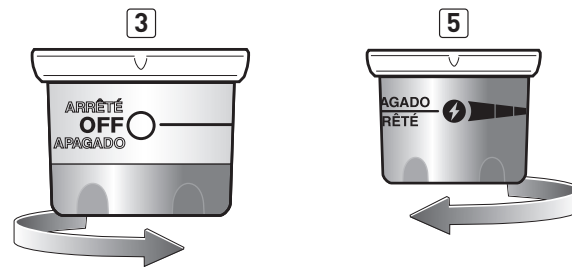
⚠ MISE EN GARDE : Les boutons de commande du brûleur doivent être positionnés sur ARRÊTÉ avant que vous ouvriez la valve de la bouteille de propane liquide. S'ils ne sont pas positionnés sur ARRÊTÉ, lorsque vous ouvrez la valve de la bouteille de PL, la fonction de "contrôle du débit de gaz en excès" s'active, limitant ainsi le débit de gaz en provenance de la bouteille de PL. Si cela se produisait, fermez la valve de la bouteille de PL et les boutons de commande des brûleurs. Ensuite, recommencez.

⚠ DANGER

Lorsque la fonction de "contrôle du débit de gaz en excès" est activée, une petite quantité de gaz circule toujours en direction des brûleurs. Une fois que vous avez fermé la bouteille de gaz et les boutons de commande des brûleurs, patientez au moins cinq minutes pour laisser le gaz se dissiper avant d'essayer d'allumer le grill. Le non respect de cette mesure de sécurité pourrait entraîner un embrasement explosif susceptible de provoquer une blessure grave ou la mort.



Les grills illustrés dans ce Mode d'emploi peuvent varier légèrement par rapport au modèle acheté.



D) Ouvrez la vanne du réservoir GPL en la tournant dans le sens anti-horaire, puis attendez 60 secondes (4).

⚠ MISE EN GARDE : Ne vous penchez pas au-dessus du grill ouvert.

E) Enfoncez le bouton de commande et positionnez-le sur MARCHÉ/ELEVE (5). Cette action provoque une étincelle au niveau de l'allumeur et allume le brûleur de la rôtissoire. Continuez à utiliser l'allumeur automatique jusqu'à ce que le brûleur de la rôtissoire soit allumé. Maintenez le bouton de commande enfoncé jusqu'à vingt secondes à partir du moment où le brûleur s'est allumé. Relâchez le bouton de commande.

F) Vérifiez que le brûleur est allumé en regardant si le brûleur de la rôtissoire rougeoit (6).

⚠ MISE EN GARDE : Si le brûleur de la rôtissoire ne s'allume pas, positionnez le bouton de commande du brûleur sur ARRÊTÉ puis patientez cinq minutes pour laisser le gaz se dissiper avant d'essayer à nouveau ou d'essayer d'allumer le brûleur avec une allumette.

Remarque : Lorsque vous utilisez la rôtissoire avec le couvercle fermé, allumez seulement deux des brûleurs principaux de chaque côté des aliments (voir les "MÉTHODES DE CUISSON—CUISSON INDIRECTE"). Vérifiez vos aliments de temps en temps pour empêcher une cuisson excessive à l'extérieur. Éteignez le brûleur de la rôtissoire une fois que les aliments ont doré jusqu'à la teinte souhaitée. Finissez la cuisson à la chaleur indirecte. ♦

POUR ÉTEINDRE

Enfoncez et tournez le bouton de commande du brûleur dans le sens des aiguilles d'une montre pour le positionner sur ARRÊTÉ. Fermez l'arrivée de gaz à la source. ♦

ALLUMAGE & UTILISATION DU BRÛLEUR DE LA RÔTISSOIRE

ALLUMAGE MANUEL DU BRÛLEUR DE LA RÔTISSOIRE

⚠ ATTENTION : LISEZ CECI AVANT D'ALLUMER LE BRÛLEUR DE LA RÔTISSOIRE

Après une période d'inutilisation, avant d'allumer le brûleur de la rôtissoire, quelques secondes doivent s'écouler pour que la conduite de gaz d'alimentation se remplisse.

Lorsque vous tenez une allumette en direction du brûleur de la rôtissoire, vous voyez un éclair de flammes se déplacer de gauche à droite à travers la surface du brûleur de la rôtissoire. Le brûleur de la rôtissoire n'est pas allumé tant que le totalité de la surface en céramique n'est pas enflammée.

A partir de ce moment, décomptez 20 secondes avant de relâcher le bouton de commande du brûleur de la rôtissoire.

La surface du brûleur de la rôtissoire rougeoie une fois que le brûleur est complètement allumé.

⚠ DANGER

Le fait de ne pas ouvrir le couvercle lorsque vous allumez le grill, ou de ne pas patienter cinq minutes pour laisser le gaz se dissiper si le grill ne s'allumait pas, pourrait entraîner un embrasement explosif susceptible de provoquer une blessure grave ou la mort.

⚠ ATTENTION : Il peut être difficile de voir la flamme du brûleur de la rôtissoire par une journée lumineuse et ensoleillée.

⚠ MISE EN GARDE : Vérifiez le tuyau avant chaque utilisation du grill afin de détecter toute entaille, fissure, abrasion ou coupure. Si le tuyau se révèle détérioré de quelque manière, n'utilisez pas le grill. Ne remplacez le tuyau que par un tuyau de rechange agréé par WEBER. Veuillez entrer en contact avec le Représentant du Service clientèle le plus proche grâce aux coordonnées à votre disposition sur notre site Internet. Connectez-vous sur www.weber.com.

A) Ouvrez le couvercle (1).

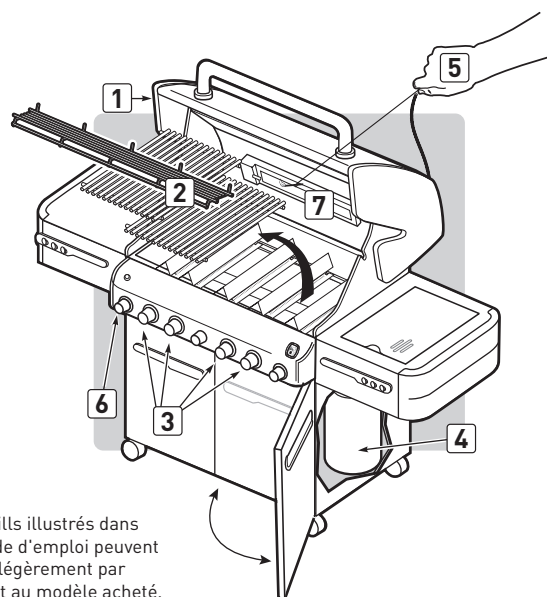
B) Retirez la grille de maintien au chaud et les grilles de cuisson du boîtier de cuisson (2).

C) Assurez-vous que tous les boutons de commande des brûleurs sont positionnés sur ARRÊTÉ (3). (Enfoncez le bouton de commande puis tournez-le dans le sens des aiguilles d'une montre pour vous assurer qu'il est positionné sur ARRÊTÉ.)

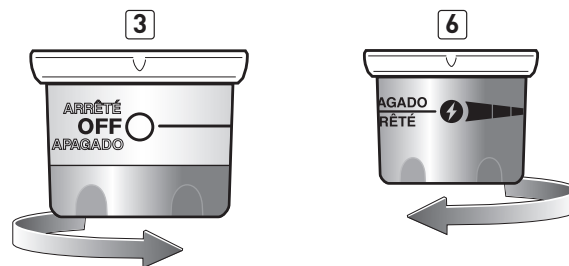
⚠ MISE EN GARDE : Les boutons de commande du brûleur doivent être positionnés sur ARRÊTÉ avant que vous ouvriez la valve de la bouteille de propane liquide. S'ils ne sont pas positionnés sur ARRÊTÉ, lorsque vous ouvrez la valve de la bouteille de PL, la fonction "contrôle du débit de gaz en excès" s'active, limitant ainsi le débit de gaz en provenance de la bouteille de PL. Si cela se produisait, fermez la valve de la bouteille de PL et les boutons de commande des brûleurs. Ensuite, recommencez.

⚠ DANGER

Lorsque la fonction de "contrôle du débit de gaz en excès" est activée, une petite quantité de gaz circule toujours en direction des brûleurs. Une fois que vous avez fermé la bouteille de gaz et les boutons de commande des brûleurs, patientez au moins cinq minutes pour laisser le gaz se dissiper avant d'essayer d'allumer le grill. Le non respect de cette mesure de sécurité pourrait entraîner un embrasement explosif susceptible de provoquer une blessure grave ou la mort.



Les grills illustrés dans ce Mode d'emploi peuvent varier légèrement par rapport au modèle acheté.



D) Ouvrez la vanne du réservoir GPL en la tournant dans le sens anti-horaire, puis attendez 60 secondes (4).

E) Placez une allumette dans le porte-allumettes et frottez-la.

F) Tenez le porte-allumettes et allumez le brûleur de la rôtissoire par la droite (5).

⚠ MISE EN GARDE : Ne vous penchez pas au-dessus du grill ouvert.

G) Enfoncez le bouton de commande du brûleur de la rôtissoire et positionnez-le sur MARCHE/ELEVE (6). Maintenez le bouton de commande enfoncé jusqu'à vingt secondes à partir du moment où le brûleur s'est allumé.

H) Vérifiez si le brûleur est allumé en regardant si le brûleur de la rôtissoire rougeoie (7).

⚠ MISE EN GARDE : Si le brûleur de la rôtissoire ne s'allume pas, positionnez le bouton de commande du brûleur sur ARRÊTÉ puis patientez cinq minutes pour laisser le gaz se dissiper avant d'essayer à nouveau.

Remarque : Lorsque vous utilisez la rôtissoire avec le couvercle fermé, allumez seulement deux des brûleurs principaux de chaque côté des aliments (voir les "MÉTHODES DE CUISSON—CUISSON INDIRECTE"). Vérifiez vos aliments de temps en temps pour empêcher une cuisson excessive à l'extérieur. Éteignez le brûleur de la rôtissoire une fois que les aliments ont doré jusqu'à la teinte souhaitée. Finissez la cuisson à la chaleur indirecte. ♦

POUR ÉTEINDRE

Enfoncez et tournez le bouton de commande du brûleur dans le sens des aiguilles d'une montre pour le positionner sur ARRÊTÉ. Fermez l'arrivée de gaz à la source. ♦

ALLUMAGE & UTILISATION DU BRULEUR DE LA ROTISSOIRE

PRECAUTIONS DE SECURITE IMPORTANTES

Remarque : Avant d'utiliser votre rôtissoire, mesurez votre aliment au point le plus large. Si la mesure est supérieure à 9 1/2" (241,8 mm), votre aliment est trop grand pour entrer dans la rôtissoire. S'il est trop grand, votre aliment peut être préparé en utilisant un support à rôtir et la méthode de cuisson indirecte.

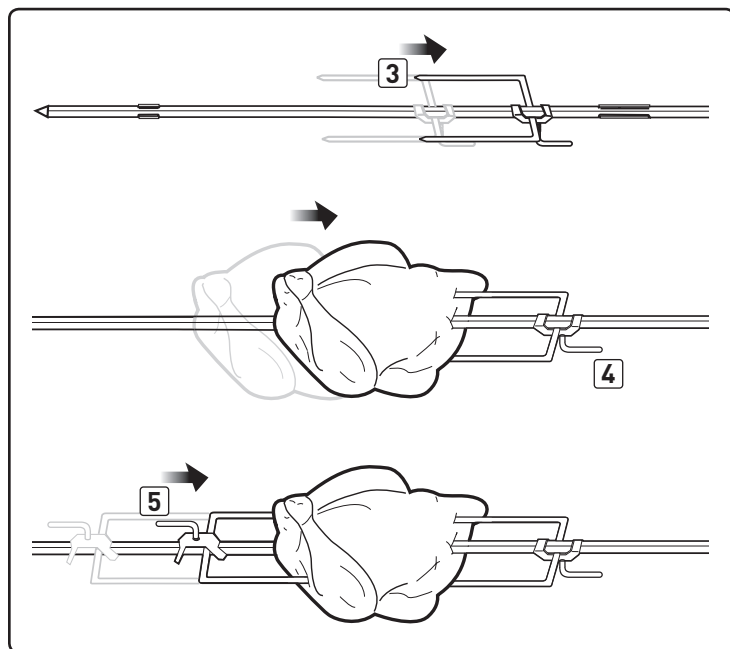
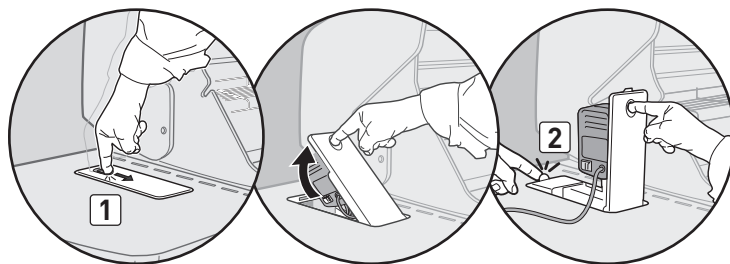
⚠ MISES EN GARDE

- ⚠ Lisez toutes les instructions avant d'utiliser votre rôtissoire.
- ⚠ Cette rôtissoire convient pour une utilisation en extérieur uniquement.
- ⚠ Retirez le moteur et rangez-le au sec lorsque vous ne l'utilisez pas.
- ⚠ Ne touchez pas les surfaces à haute température. Utilisez des gants de cuisinier.
- ⚠ Cette rôtissoire ne convient pas à une utilisation par des enfants.
- ⚠ Afin de vous protéger contre tout risque électrique, ne plongez pas le cordon d'alimentation, les fiches ou le moteur dans l'eau ni dans d'autres liquides.
- ⚠ Débranchez le moteur de la prise secteur lorsque vous ne l'utilisez pas ou avant de le nettoyer.
- ⚠ N'utilisez pas la rôtissoire pour un autre usage que celui pour lequel elle a été conçue.
- ⚠ Assurez-vous que le moteur est arrêté avant de le placer sur son support.
- ⚠ Ne faites pas fonctionner le moteur de la rôtissoire si le cordon d'alimentation ou la prise sont détériorés.
- ⚠ N'utilisez pas le moteur de la rôtissoire en cas de dysfonctionnement.
- ⚠ Le moteur de la rôtissoire est équipé d'un cordon d'alimentation à trois ergots (de raccordement à la terre) afin de vous protéger contre les risques d'électrocution.
- ⚠ Le cordon d'alimentation devrait être branché directement dans un réceptacle à trois ergots correctement raccordé à la terre. Si l'utilisation d'un cordon de rallonge est nécessaire, assurez-vous qu'il s'agit au minimum d'un cordon de 16 AWG (1,3 mm) à 3 brins bien isolé comportant une indication selon laquelle il CONVIENT POUR UNE UTILISATION EN EXTERIEUR UNIQUEMENT et qu'il est correctement raccordé à la terre.
- ⚠ Lorsque vous utilisez un cordon de rallonge, assurez-vous que celui-ci n'entre pas en contact avec une surface à haute température ou avec une surface coupante.
- ⚠ Les cordons de rallonge d'extérieur devraient comporter l'inscription "W-A" et une étiquette indiquant "Convient pour une utilisation avec des appareils d'extérieur".
- ⚠ Ne coupez pas ou ne retirez pas l'ergot de raccordement à la terre du cordon d'alimentation du moteur de la rôtissoire.
- ⚠ Ne laissez pas le cordon pendre au-dessus de toute extrémité coupante ou de toute surface à haute température.
- ⚠ N'exposez pas le moteur de la rôtissoire à la pluie.
- ⚠ Pour réduire le risque de choc électrique, maintenez le raccord du cordon de rallonge au sec et éloigné du sol.
- ⚠ Un cordon d'alimentation court est fourni afin de réduire le risque de se prendre les pieds dedans. Vous pouvez utiliser des cordons de rallonge mais vous devez faire preuve de prudence afin de ne pas trébucher sur le cordon.
- ⚠ En l'absence de codes régionaux, le moteur de la rôtissoire doit être raccordé au sol électriquement conformément au Code national de l'électricité, ANSI / NFPA 70, ou au Code de l'électricité du Canada, CSA C22.1. ♦

UTILISATION DE LA ROTISSOIRE

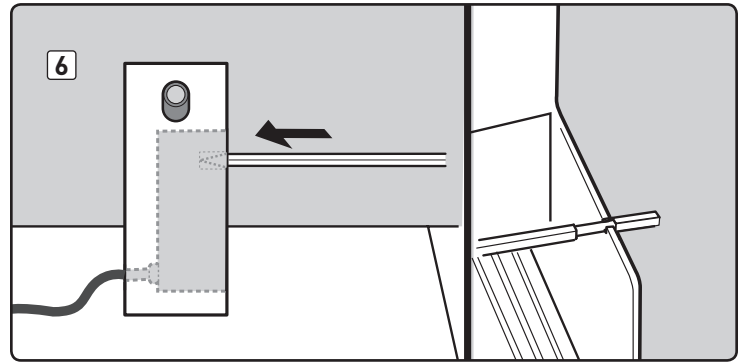
⚠ MISE EN GARDE : Disposez les aliments à l'intérieur de la rôtissoire avant d'allumer le brûleur.

- A) Pour mettre le moteur de la rôtissoire en place, appuyez sur le bouton situé sur le panneau de la rôtissoire rétractable (1). Tirez le panneau de la rôtissoire vers le haut. Enfoncez la languette de verrouillage (2) jusqu'à ce qu'un déclic indique qu'elle est en place.
- B) Retirez le cordon d'alimentation et branchez-le à une source d'électricité.
- ⚠ ATTENTION : Ne faites pas passer le cordon d'alimentation du moteur de la rôtissoire à travers l'ouverture du plan de travail destinée à la rôtissoire rétractable.
- ⚠ ATTENTION : Inspectez le cordon d'alimentation avant chaque utilisation. En cas de détérioration du cordon, ne l'utilisez pas. Contactez le Représentant du Service clientèle le plus proche grâce aux informations à votre disposition sur notre site Internet. Connectez-vous sur www.weber.com.
- C) Faites glisser l'une des pointes de la broche vers le côté droit de l'axe de la rôtissoire, en vous assurant que les parties piquantes soient orientées vers la gauche et que la vis de la broche soit orientée vers le bas (3).
- D) Enfoncez l'axe de la rôtissoire au milieu des aliments. Insérez les extrémités des deux broches dans les aliments. Les aliments devraient être centrés sur l'axe. Serrez les vis de la broche (4).
- E) Glissez une autre broche sur l'axe de rotation de la rôtissoire, en vous assurant que les pointes soient orientées vers la droite et que la vis de la broche soit orientée vers le haut. Insérez les extrémités des deux broches dans les aliments. Serrez la vis de la broche (5).



ALLUMAGE & UTILISATION DU BRULEUR DE LA ROTISSOIRE

- F) Insérez l'extrémité pointue de l'axe de rotation de la rôtissoire à l'intérieur du moteur. Abaissez la broche de la rôtissoire dans les encoches situées sur la cuve (6).
- G) L'axe de la rôtissoire devrait pivoter de sorte que le côté le plus lourd de la viande ou de la volaille soit entraîné vers le bas. Les pièces de grande taille peuvent nécessiter le retrait des grilles de cuisson et de la grille de maintien au chaud afin de permettre la rotation complète de l'axe. Remontez les aliments si cela s'avère nécessaire pour obtenir un meilleur équilibre.
- H) Allumez le moteur. ♦



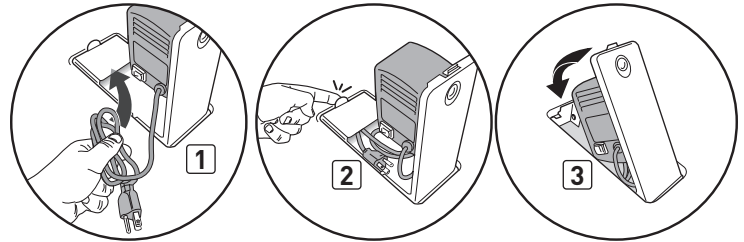
CUISSON A L'AIDE DE LA ROTISSOIRE

- Les viandes (à l'exception de la volaille et de la viande hachée) devraient être portées à température ambiante avant la cuisson. (20 à 30 minutes devraient convenir pour la plupart des aliments. Si les aliments sont surgelés, décongelez-les complètement avant la cuisson.)
- Si cela s'avère nécessaire, liez la viande ou la volaille à l'aide d'une ficelle pour rendre la forme aussi homogène que possible avant de la placer sur la broche.
- Retirez les grilles de cuisson et la grille de maintien au chaud pour permettre aux aliments de pivoter librement.
- Suivez les instructions pour l'allumage du brûleur de la rôtissoire.
- Réglez le brûleur de la rôtissoire sur moyen-élevé en fonction de la température de l'air extérieur.
- Placez les aliments dans la zone du brûleur.
- Si vous souhaitez conserver les jus de viande pour la sauce, placez un égouttoir directement au-dessous des aliments au-dessus des barres Flavorizer®.
- Les étapes de préparation des aliments sont les mêmes pour la cuisson à la rôtissoire que pour une cuisson ordinaire.
- La totalité de la cuisson s'effectue couvercle fermé.
- Si les aliments sont trop lourds ou présentent des formes irrégulières, il est possible qu'ils ne pivotent pas bien et qu'ils doivent être cuits par le biais de la Méthode de cuisson indirecte sans utilisation de la rôtissoire.
- Le fumoir peut être utilisé en association avec la rôtissoire pour une saveur fumée plus prononcée.

Remarque : Lorsque vous utilisez le brûleur de la rôtissoire, le thermomètre du grill n'indique pas la température à l'intérieur de la cuve. ♦

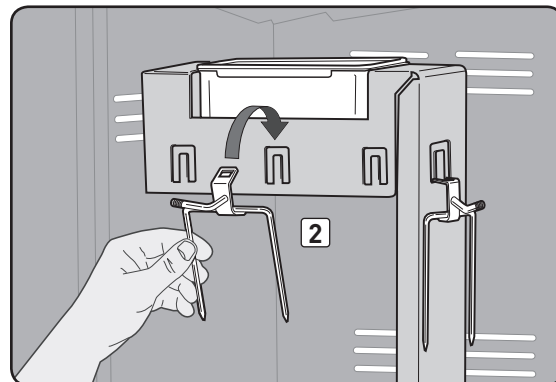
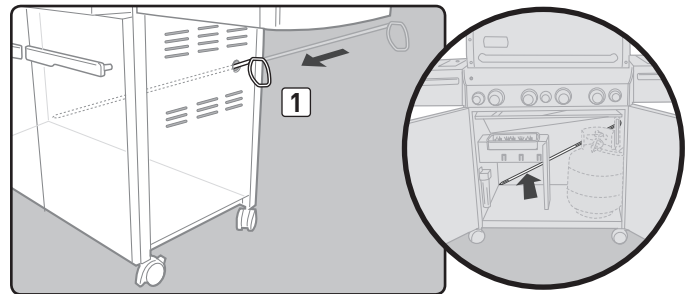
STOCKAGE DU MOTEUR DE LA ROTISSOIRE

- A) Avant de rétracter la rôtissoire à l'intérieur du plan de travail, débranchez le cordon d'alimentation et placez avec prudence la fiche/le cordon d'alimentation dans la zone de rangement de la rôtissoire rétractable (1).
- ⚠ ATTENTION : Le non respect des consignes de stockage du cordon d'alimentation de la rôtissoire risque de d'entraîner sa détérioration au moment de l'ouverture et de la fermeture du panneau de la rôtissoire rétractable.**
- B) Avec l'index, dégagez le panneau de la rôtissoire rétractable (2). Enfoncez le panneau vers le bas jusqu'à ce qu'un déclic indique qu'il est correctement positionné (3). ♦



STOCKAGE DE LA BROCHE DE LA ROTISSOIRE

- A) Retirez les parties piquantes de la broche de la rôtissoire. Insérez avec précaution la broche dans le meuble en la faisant glisser à travers le trou à l'intérieur du panneau latéral droit (1).
- ⚠ ATTENTION : Ne laissez pas la broche de la rôtissoire entrer en contact avec des conduites de gaz.**
- B) Rangez les parties piquantes de la rôtissoire en les plaçant sur les crochets situés sur le support de l'égouttoir à l'intérieur du meuble du grill (2). ♦



RESOLUTION DES PROBLEMES

PROBLEME	VERIFICATION	SOLUTION
Les brûleurs produisent une flamme jaune ou orange, et une odeur de gaz se dégage (c'est normal pour le tube d'allumage du brûleur).	Inspectez les grilles anti-araignées/insectes pour détecter les obstacles potentiels. (Blocage des trous.)	Nettoyez les grilles anti-araignées/insectes. (Voir la Section "MAINTENANCE ANNUELLE.")
Symptômes : Les brûleurs ne s'allument pas. OU Les flammes des brûleurs sont petites et vacillantes en position ELEVE. OU La température du barbecue atteint 250° à 300° uniquement en position ELEVE.	Le dispositif de protection contre le débit excessif, qui fait partie du raccord reliant le barbecue à la bouteille de gaz, s'est peut-être enclenché.	Pour réinitialiser le dispositif de protection contre le débit excessif, fermez tous les boutons de commande des brûleurs et la valve de la bouteille de gaz. Déconnectez le régulateur de la bouteille de gaz. Positionnez les boutons de commande du brûleur sur ELEVE. Patientez au moins une minute. Positionnez les boutons de commande du brûleur sur ARRÊTÉ. Reconnectez le régulateur à la bouteille de gaz. Ouvrez lentement la valve de la bouteille de gaz. Consultez les "ALLUMAGE DU BRULEUR PRINCIPAL."
Le brûleur ne s'allume pas. OU La flamme est petite en position ELEVE.	La bouteille de PL est-elle peu remplie ou vide ?	Rechargez la bouteille de PL.
	Le tuyau d'alimentation en combustible est-il plié ou pincé ?	Redressez le tuyau d'alimentation en combustible.
	Le brûleur s'allume-t-il avec une allumette ?	Nettoyez les brûleurs. (Voir la Section "MAINTENANCE.")
	Avez-vous utilisé le bouton de l'allumeur plusieurs fois jusqu'à ce que le brûleur principal soit allumé ? (Voir "ALLUMAGE DU BRULEUR PRINCIPAL.")	Assurez-vous de maintenir le bouton de commande enfoncé pendant deux secondes une fois que vous avez appuyé sur l'allumeur et que vous avez vu la flamme orange sortir du tube d'allumage du brûleur.
	L'allumeur fonctionne-t-il ? (Voyez-vous une étincelle lorsque vous utilisez plusieurs fois le bouton de l'allumeur ?)	Essayez d'allumer le brûleur manuellement. (Voir "ALLUMAGE MANUEL DU BRULEUR PRINCIPAL.") Appelez le Service clientèle.
Des embrasements se produisent : ⚠ ATTENTION : Ne couvrez pas le plateau de récupération des graisses amovible d'une feuille de papier aluminium.	Préchauffez-vous le barbecue selon la méthode recommandée ?	Tous les brûleurs sur ELEVE pendant 10 à 15 minutes pour le préchauffage.
	Les grilles de cuisson et les barres FLAVORIZER sont-elles recouvertes d'une épaisse couche de graisse brûlée ?	Nettoyez méticuleusement. (Voir la Section "NETTOYAGE.")
	Le plateau de récupération des graisses amovible est-il "sale" et empêche-t-il la graisse de s'écouler vers l'égouttoir ?	Nettoyez le plateau de récupération des graisses amovible.
L'aspect de la flamme du brûleur est irrégulier. La flamme est petite lorsque le brûleur est réglé sur ELEVE. Les flammes ne brûlent pas sur toute la longueur du tube du brûleur.	Les brûleurs sont-ils propres ?	Nettoyez les brûleurs. (Voir la Section "MAINTENANCE.")
L'intérieur du couvercle semble "s'écailler." (Cela ressemble à des éclats de peinture.)	Le couvercle est en émail ou en acier inoxydable; il n'est pas peint. Il ne peut pas "s'écailler." Ce que vous voyez, ce sont des éclats de graisse carbonisée qui se détachent du couvercle. IL NE S'AGIT PAS D'UN DEFAULT.	Nettoyez méticuleusement. (Voir la Section "NETTOYAGE.")
Les portes du placard ne sont pas alignées.	Vérifiez la goupille de réglage au bas de chaque porte.	Desserrez le ou les écrou(s) de réglage. Faites glisser la ou les porte(s) jusqu'à ce que celle(s)-ci soi(en)t alignée(s). Serrez le ou les écrou(s).
Le barbecue semble perdre de la chaleur pendant la cuisson par temps froid à des températures de 50°F/10°C ou à des températures plus froides.	Y a-t-il du givre/de la glace sur l'extérieur de la bouteille de PL ?	Le propane liquide à l'intérieur de la bouteille se transforme en vapeur trop lentement pour pouvoir approvisionner les brûleurs en gaz. Ceci est provoqué par le refroidissement par la température ambiante de la bouteille de PL, ce qui ralentit le processus de formation de la vapeur. Tournez les boutons de commande du brûleur pour les mettre en position d'arrêt et fermez la bouteille de PL. Remplacez la bouteille par une bouteille de PL de rechange puis reprenez la cuisson.
Si vous ne parvenez pas à résoudre les problèmes en utilisant ces méthodes, veuillez entrer en contact avec le Représentant du Service clientèle le plus proche grâce aux coordonnées à votre disposition sur notre site Internet. Connectez-vous sur www.weber.com .		

RESOLUTION DES PROBLEMES DU BRULEUR LATERAL

PROBLEME	VERIFICATION	SOLUTION
Le brûleur latéral ne s'allume pas.	L'arrivée de gaz est-elle fermée ? Le dispositif de sécurité limitant le débit de gaz en excès, qui fait partie du raccord entre le barbecue et la bouteille de gaz, s'est peut-être activé.	Ouvrez l'arrivée de gaz. Pour réinitialiser le dispositif de sécurité en cas de débit de gaz en excès, fermez la valve de la bouteille de PL et tournez tous les boutons de commande du brûleur en position FERMEE (OFF). Ouvrez les couvercles du grill et du brûleur latéral. Tournez lentement la valve de la bouteille de PL jusqu'à ce qu'elle soit complètement ouverte. Patientez plusieurs secondes puis allumez votre brûleur latéral. Voir "ALLUMAGE DU BRULEUR LATERAL."
La flamme est petite en position ELEVE.	Le tuyau d'alimentation en combustible est-il plié ou coincé ?	Redressez le tuyau.
L'allumage par bouton poussoir ne fonctionne pas.	Le brûleur s'allume-t-il avec une allumette ?	Si le brûleur s'allume avec une allumette, vérifiez l'allumeur (voir "MAINTENANCE DU BRULEUR LATERAL").
Si vous ne parvenez pas à résoudre les problèmes en utilisant ces méthodes, veuillez entrer en contact avec le Représentant du Service clientèle le plus proche grâce aux coordonnées à votre disposition sur notre site Internet. Connectez-vous sur www.weber.com .		

RESOLUTION DES PROBLEMES DE VOTRE SEAR STATION

PROBLEME	VERIFICATION	SOLUTION
Les brûleurs ont une flamme jaune ou orange, en association avec une odeur de gaz (c'est normal pour le tube d'allumage du brûleur). Le brûleur SEAR STATION ne s'allume pas.	Inspectez les grilles anti-araignées/insectes pour détecter toute obstruction potentielle. (Blocage des trous.)	Nettoyez les grilles anti-araignées/insectes. (Voir la Section "MAINTENANCE ANNUELLE.")
	Avez-vous allumé les deux brûleurs principaux adjacents ? (Voir les instructions concernant la procédure d'allumage en toute sécurité "ALLUMAGE & UTILISATION DE LA SEAR STATION.")	Vérifiez l'allumage des brûleurs adjacents principaux en effectuant une inspection visuelle de la flamme. ⚠ MISE EN GARDE : Si l'allumage ne se produit pas sous cinq secondes, positionnez la commande du brûleur sur ARRÊTÉ, patientez cinq minutes pour laisser le gaz se dissiper avant d'essayer à nouveau.
	Le brûleur s'allume-t-il avec une allumette ?	Si vous pouvez allumer le brûleur à l'aide d'une allumette, alors vérifiez le Canal CROSSOVER sur le brûleur à saisir. Voir la section "MAINTENANCE" pour plus d'informations sur le retrait du brûleur et sur la procédure de nettoyage.
	L'allumeur fonctionne-t-il ? (Voyez-vous une étincelle lorsque vous appuyez plusieurs fois sur l'allumeur automatique ?)	Essayez d'allumer manuellement le brûleur (voir "ALLUMAGE DU BRULEUR DE VOTRE SEAR STATION"). Appelez le Service client.
Symptômes généraux : Le brûleur ne s'allume pas. OU Le brûleur a une petite flamme vacillante.	Le dispositif de contrôle du débit en excès, qui fait partie du raccord reliant le barbecue à la bouteille de gaz, a peut-être été activé.	Pour réinitialiser le dispositif de sécurité de contrôle de débit en excès, positionnez tous les boutons de commande du brûleur et la valve de la bouteille de gaz sur ARRÊTÉ. Déconnectez le régulateur de la bouteille de gaz. Positionnez les boutons de commande du brûleur sur MARCHE/ELEVE. Patientez au moins une minute. Positionnez les boutons de commande du brûleur sur ARRÊTÉ. Reconnectez le régulateur à la bouteille de gaz. Ouvrez lentement la valve de la bouteille de gaz. Consultez les instructions de la section "ALLUMAGE DU BRULEUR PRINCIPAL."

Si les problèmes ne peuvent pas être résolus en utilisant ces méthodes, veuillez contacter le Représentant du Service clientèle le plus proche grâce aux coordonnées à votre disposition sur notre site Internet. Connectez-vous sur www.weber.com.

RESOLUTION DES PROBLEMES DE LA ROTISSOIRE

PROBLEME	VERIFICATION	SOLUTION
Le brûleur de la rotissoire ne s'allume pas.	Avez-vous maintenu le bouton de commande du brûleur de la rotissoire enfoncé pendant 20 secondes après l'allumage du brûleur ?	Essayez de rallumer le brûleur en maintenant le bouton de commande du brûleur enfoncé pendant 20 secondes une fois que le brûleur s'est allumé.
	Avez-vous attendu de voir la totalité de la surface en céramique allumée avant de décompter 20 secondes ?	Lorsque vous rallumez le brûleur en maintenant le bouton de commande du brûleur enfoncé, attendez de voir la totalité de surface en céramique allumée avant de décompter 20 secondes.
	Avez-vous utilisé le bouton d'allumage plusieurs fois jusqu'à ce que le brûleur s'allume ?	Une fois que vous avez attendu cinq minutes pour laisser le gaz se dissiper, essayez d'utiliser le bouton d'allumage plusieurs fois jusqu'à ce que le brûleur s'allume (Voir "ALLUMAGE & UTILISATION DU BRULEUR DE LA ROTISSOIRE.")
	L'allumeur fonctionne-t-il ? (Voyez-vous une étincelle lorsque vous utilisez plusieurs fois le bouton d'allumage ?)	Essayez d'allumer manuellement le brûleur. (Voir "ALLUMAGE MANUEL DU BRULEUR DE LA ROTISSOIRE.") Appelez le Service client.
Symptômes généraux : Le brûleur ne s'allume pas. OU La flamme du brûleur est petite et vacille.	Le dispositif de sécurité de protection contre le débit de gaz excessif, qui fait partie du raccord reliant le barbecue à la bouteille de gaz, s'est peut-être déclenché.	Pour réinitialiser le dispositif de sécurité de protection contre le débit excessif du gaz, positionnez tous les boutons de commande du brûleur et la valve de la bouteille de gaz sur ARRÊTÉ. Déconnectez le régulateur de la bouteille de gaz. Positionnez les boutons de commande du brûleur sur MARCHE/ELEVE. Patientez au moins une minute. Positionnez les boutons de commande du brûleur sur ARRÊTÉ. Reconnectez le régulateur à la bouteille de gaz. Ouvrez lentement la valve de la bouteille de gaz. Voir "ALLUMAGE DU BRULEUR PRINCIPAL."

Si vous ne parvenez pas à résoudre les problèmes en utilisant ces méthodes, veuillez entrer en contact avec le Représentant du Service clientèle le plus proche grâce aux coordonnées à votre disposition sur notre site Internet. Connectez-vous sur www.weber.com.

RESOLUTION DES PROBLEMES DE LA LAMPE DU BARBECUE

PROBLÈMES	SOLUTIONS
La lampe du barbecue ne s'allume pas.	La lampe ne s'active que lorsque le couvercle est ouvert. Levez le couvercle en position ouverte et appuyez sur le bouton ÉVEIL.
	Installez des piles neuves. Lors de l'installation des piles neuves (alcalines uniquement), veillez à ce que le film plastique de chaque pile ait été retiré. Vérifiez que les piles sont en bon état et qu'elles sont correctement installées. Reportez-vous à la section « ENTRETIEN DE LA LAMPE DU BARBECUE ».
Lampe du barbecue éteinte et refusant de se rallumer.	La lampe est programmée pour s'éteindre après 30 minutes d'inactivité. Pour la rallumer, assurez-vous que le couvercle est ouvert et appuyez sur le bouton ÉVEIL. Reportez-vous à la section « ENTRETIEN DE LA LAMPE DU BARBECUE ».
La lampe du barbecue ne s'éteint pas.	La lampe du barbecue est équipée d'un capteur d'ouverture. Celui-ci ALLUME la lampe lorsque le couvercle du barbecue est ouvert et l'ÉTEINT lorsqu'il est fermé. REMARQUE : le bouton ÉVEIL n'éteint pas la lampe. Pour l'éteindre, mettez le couvercle en position fermée.

Si les solutions proposées ne vous permettent pas de résoudre le problème, contactez le représentant local du service clientèle dont vous trouverez les coordonnées sur notre site web. Connectez-vous à www.weber.com.

NETTOYAGE

⚠ **MISE EN GARDE** : Fermez votre barbecue à gaz WEBER et attendez que celui-ci ait refroidi avant de le nettoyer.

Surfaces externes — Utilisez une solution d'eau savonneuse chaude pour le nettoyage, ensuite rincez à l'eau.

⚠ **ATTENTION** : N'utilisez pas de nettoyant pour four, de détergents abrasifs (détergents de cuisine), de détergents contenant des agrumes, ni des tampons de nettoyage abrasifs sur les surfaces du barbecue ou du chariot.

Sortez le plateau de récupération des graisses amovible en le faisant glisser — Retirez la graisse en excès, puis lavez à l'eau savonneuse chaude, avant de rincer.

⚠ **ATTENTION** : Ne recouvrez pas le plateau de récupération des graisses amovible de papier aluminium.

Barres FLAVORIZER et grilles de cuisson — Nettoyez-les avec une brosse en acier inoxydable adaptée. Si nécessaire, retirez-les du grill et lavez-les à l'eau savonneuse chaude, puis rincez-les à l'eau.

⚠ **ATTENTION** : Les brosses du grill devraient être vérifiées régulièrement afin de détecter toute usure excessive. Remplacez la brosse si vous trouvez des brins métalliques sur la grille de cuisson ou sur la brosse. WEBER recommande d'acheter une brosse neuve pour le nettoyage de la grille en acier inoxydable au début de chaque printemps.

⚠ **ATTENTION** : Ne nettoyez pas vos barres FLAVORIZER ou vos grilles de cuisson dans un four auto-nettoyant.

Pour connaître la disponibilité des grilles de cuisson et des barres FLAVORIZER de rechange, veuillez entrer en contact avec le Représentant du Service clientèle de votre région grâce aux coordonnées à votre disposition sur notre site Internet. Connectez-vous sur www.weber.com.

Egouttoir — À chaque utilisation du barbecue, vérifiez l'absence d'accumulation de graisse dans le bac de récupération. Éliminez l'excès de graisse à l'aide d'un racloir en plastique. Lavez le bac de récupération à l'aide d'eau savonneuse tiède, puis rincez-le à l'eau claire. WEBER propose des barquettes en aluminium jetables adaptées au bac de récupération.

Thermomètre — Essayez-le avec de l'eau savonneuse chaude ; nettoyez-le avec une balle de plastique à récurer.

Boîtier de cuisson — Retirez tout débris en le brossant vers l'extérieur des tubes du brûleur. N'ÉLARGISSEZ PAS LES PORTS (OUVERTURES). Lavez l'intérieur du boîtier de cuisson à l'eau savonneuse chaude puis rincez à l'eau.

Intérieur du couvercle — Lorsque le couvercle est encore chaud, essuyez l'intérieur avec une serviette en papier pour empêcher toute accumulation de graisse. Les éclats de graisse accumulés ressemblent à des éclats de peinture.

Surfaces en acier inoxydable — Lavez les surfaces avec un chiffon doux et une solution d'eau savonneuse. Veillez à frotter dans le sens du grain de l'acier inoxydable.

N'utilisez pas de produits de nettoyage contenant de l'acide, des alcools minéraux, ou du xylène. Rincez bien une fois le nettoyage terminé.

Préservez votre acier inoxydable — Votre grill ou son placard, son couvercle, son panneau de commandes ainsi que ses étagères peuvent être en acier inoxydable. Préserver l'aspect optimal de l'acier inoxydable n'est pas compliqué. Nettoyez à l'eau savonneuse, rincez à l'eau claire, et essuyez pour sécher. Pour les particules tenaces, vous pouvez utiliser une brosse non métallique.

⚠ **IMPORTANT** : N'utilisez pas de brosse métallique ni de détergents abrasifs sur les surfaces en acier inoxydable de votre grill car ceci le rayerait.

⚠ **IMPORTANT** : Lorsque vous nettoyez les surfaces assurez-vous de frotter/essuyer dans le sens du grain pour préserver l'aspect de votre acier inoxydable. ♦

GRILLES ANTI-ARAIGNEES/INSECTES WEBER

Votre barbecue à gaz WEBER, comme tout appareil à gaz d'extérieur, constitue une cible pour les araignées et les autres insectes. Ceux-ci peuvent faire leur nid dans la section des venturi (1) des tubes du brûleur. Ceci bloque le débit normal du gaz, et risque de provoquer le retour du gaz à l'extérieur de l'ouverture destinée à l'air nécessaire à la combustion. Ceci pourrait entraîner un incendie à l'intérieur et autour des ouvertures destinées à recevoir l'air nécessaire à la combustion, au-dessous du panneau de commandes, provoquant une détérioration grave de votre barbecue.

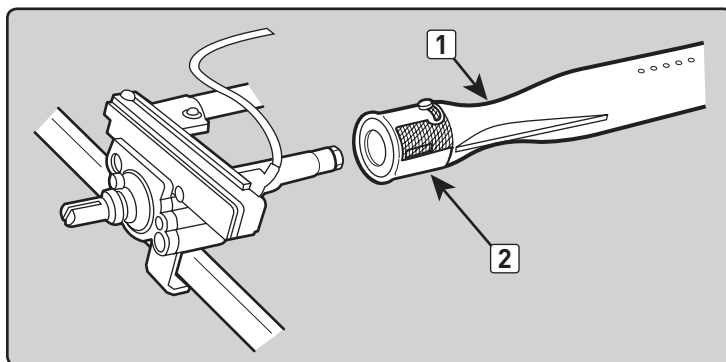
L'ouverture destinée à recevoir l'air nécessaire à la combustion est protégée par une grille en acier inoxydable (2) afin d'empêcher les araignées et les autres insectes d'accéder aux tubes du brûleur à travers les ouvertures de circulation de l'air nécessaire à la combustion.

Nous vous recommandons d'inspecter les grilles anti-araignées/insectes au moins une fois par an. (Voir la Section "MAINTENANCE ANNUELLE.") Veuillez également inspecter et nettoyer les grilles anti-araignées/insectes si l'un des symptômes suivant se produisait :

- A) Une odeur de gaz est émise et en même temps les flammes du brûleur semblent jaunes et peu vigoureuses.
- B) Le barbecue n'atteint pas la température.
- C) Le barbecue ne chauffe pas de façon homogène.
- D) Un ou plusieurs brûleurs ne s'allument pas.

⚠ DANGER

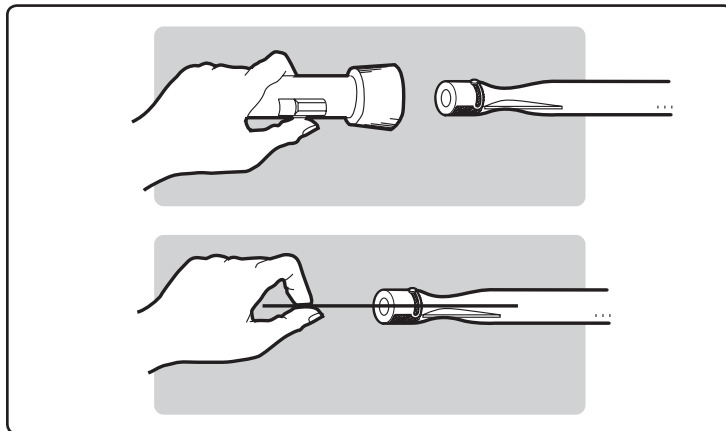
Le fait de ne pas corriger les symptômes mentionnés ci-dessus pourrait entraîner un incendie, susceptible de provoquer une blessure grave ou la mort et des dommages à la propriété. ♦



NETTOYAGE DE TUBE DE BRÛLEUR

- A) Fermez l'arrivée de gaz.
- B) Retirez le collecteur. (Voir "REPLACEZ LES BRÛLEURS PRINCIPAUX.")
- C) Regardez à l'intérieur de chaque brûleur avec une lampe torche.
- D) Nettoyez l'intérieur des brûleurs à l'aide d'un fil de fer (un cintre déplié fera l'affaire). Vérifiez et nettoyez les orifices des clapets d'arrivée d'air aux extrémités des brûleurs. Vérifiez et nettoyez les orifices à la base des valves. Utilisez une brosse en fils d'acier pour nettoyer l'extérieur des brûleurs. Cela permet de s'assurer que tous les ports des brûleurs sont entièrement ouverts.

⚠ **ATTENTION** : N'élargissez pas les ports des brûleurs pendant le nettoyage. ♦



REPLACEMENT DES BRULEURS PRINCIPAUX

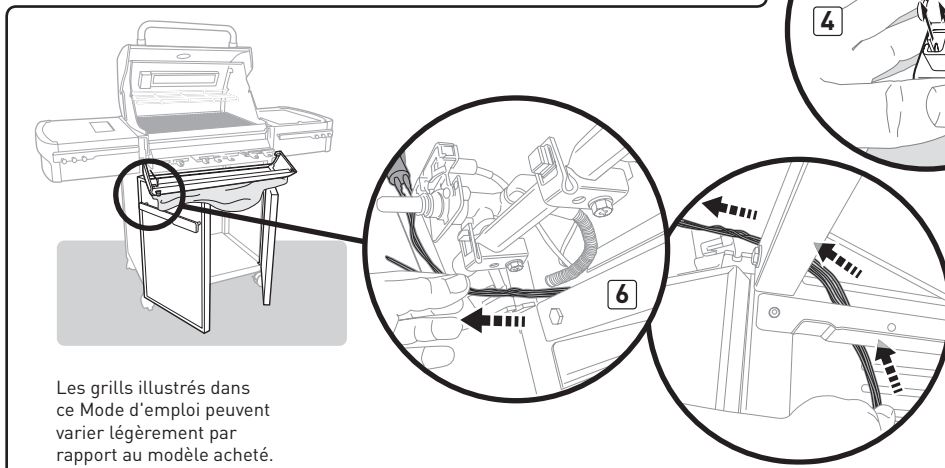
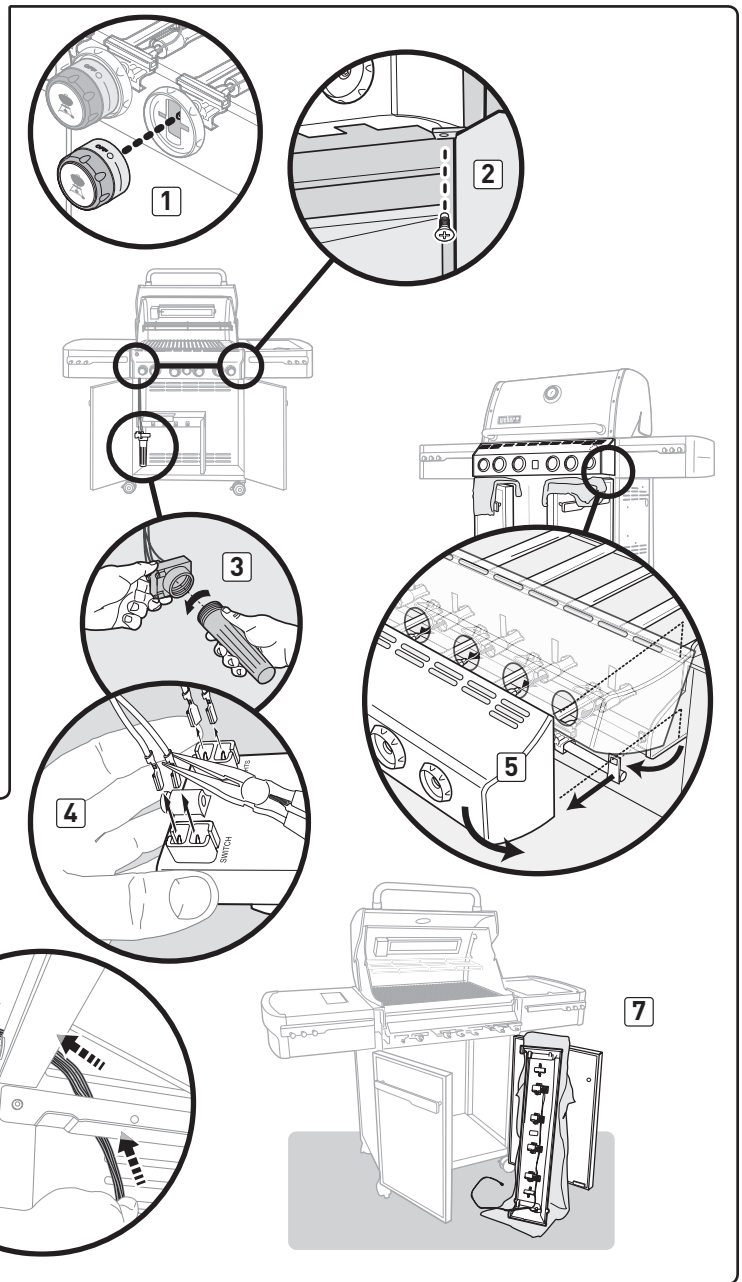
Remarque : Votre grille à gaz SUMMIT doit être éteint et il doit avoir refroidi.

- A) Fermez le gaz à la source.
- B) Débranchez l'arrivée de gaz.
- C) Retirez les grilles de cuisson.
- D) Retirez les barres FLAVORIZER.
- E) Retirez le boîtier de cuisson (s'il est inclus avec votre modèle).

Retirez le panneau de commande

Outils nécessaires : Tournevis, pinces et serviettes.

- A) Retirez les boutons de commande du brûleur (1).
- B) Ouvrez les deux portes. A l'aide d'un tournevis, retirez les vis du dessous du panneau de commande (2).
- C) Soulevez et retirez le logement des piles situé à l'intérieur du meuble du grill (3).
- D) A l'aide d'une pince à bout pointu, débranchez les terminaux des câbles depuis la partie supérieure du logement des piles (4). **Ne tirez pas sur les câbles ; retirez-les en tirant sur les terminaux.**
- E) Placez les serviettes sur les parties supérieures des assemblages des portes. **Ceci va protéger le panneau de commande ainsi que les assemblages de la porte contre les rayures au cours de la prochaine étape.**
- F) Inclinez la partie inférieure du panneau de commande vers l'avant. Soulevez légèrement (5) le panneau puis faites-le pivoter pour l'orienter vers le bas afin de le faire reposer sur les parties supérieures des assemblages des portes. (Veillez à ne pas rompre ni débranchez les câbles des LED du panneau de commande.)
- G) Tirez prudemment les câbles des piles vers l'extérieur depuis l'intérieur du meuble du grill (6).
- H) Ouvrez complètement la porte de droite. Placez le panneau de commande sur le sol, en le faisant reposer contre la serviette qui recouvre l'assemblage de la porte de droite (7).

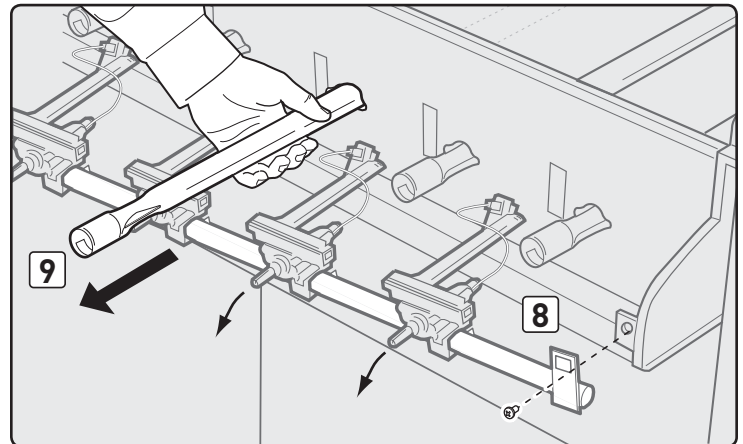


Les grills illustrés dans ce Mode d'emploi peuvent varier légèrement par rapport au modèle acheté.

Retirez les tubes du brûleur

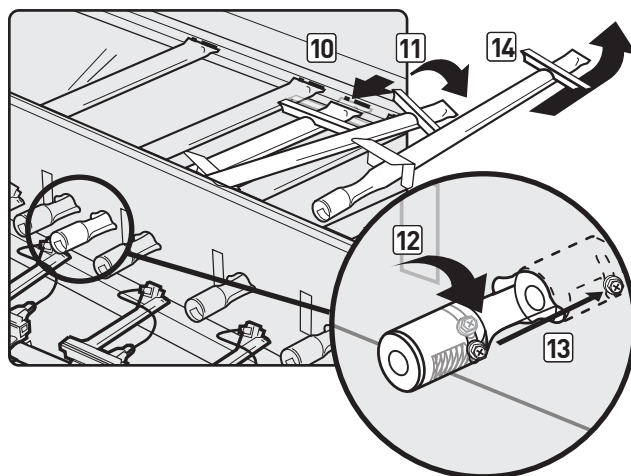
Outils nécessaires : Clés de 3/8".

- B) A l'aide d'une clé de 3/8", retirez les vis qui fixent l'assemblage du collecteur contre le boîtier de cuisson. Tirez l'assemblage du collecteur pour l'éloigner des tubes du brûleur puis laissez-le pendre depuis le meuble du grill (8). **Ne débranchez pas le câble bleu du côté gauche de l'assemblage du collecteur.**
- C) Tirez le(s) tube(s) du brûleur sélectionnés à travers l'avant du boîtier de cuisson puis remplacez-le(s) par un/des tube(s) de brûleur neuf(s) (9).



Retirez le brûleur SEAR STATION

Pour retirer le brûleur SEAR STATION, tirez le tube du brûleur vers vous. Ceci le fait sortir de l'encoche du tube du brûleur (10). Ensuite, faites pivoter le tube dans le sens des aiguilles d'une montre (11), de sorte que la vis à l'extrémité du tube (12) s'encastré dans l'encoche à l'intérieur de l'ouverture de la protection anti-chaaleur (13). Une fois le tube du brûleur dégagé, retirez-le du boîtier de cuisson (14).



Remettez en place le collecteur

A) Pour remettre en place l'assemblage du collecteur, inversez les étapes décrites dans "Retirez les tubes du brûleur."

⚠ **ATTENTION : L'ouverture du tube du brûleur (15) doit être positionnée correctement au-dessus de l'orifice de la valve (16). Assurez-vous que l'extrémité opposée des tubes du brûleur (17) s'aligne correctement à l'intérieur des fentes à l'arrière du boîtier de cuisson. Vérifiez si l'assemblage est correct avant de serrer le collecteur en place.**

⚠ **MISE EN GARDE : Vous devriez détecter les fuites de gaz à chaque fois que vous débranchez puis rebranchez un raccord de gaz. Voir "DETECTION DES FUITES DE GAZ."**

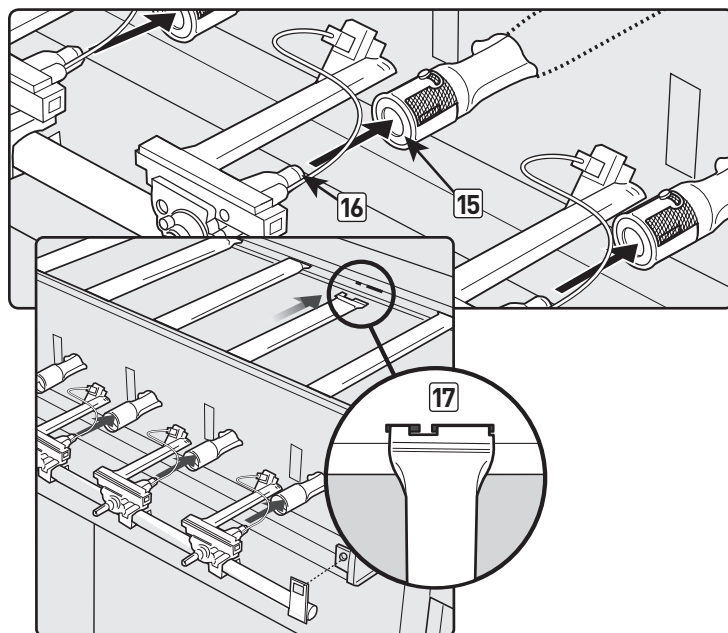
B) Remplacez les composants du boîtier de cuisson (non illustré).

Remettez en place le panneau de commande

A) Pour remettre en place l'assemblage du panneau de commande, inversez les étapes précédemment décrites dans "Retirez le panneau de commande."

B) Vérifiez si les câbles sont bien branchés. Voir "FONCTIONS D'ECLAIRAGE."

⚠ **MISE EN GARDE : Assurez-vous que toutes les pièces sont assemblées et que la quincaillerie est complètement serrée avant d'utiliser le grill. En cas de non respect de cette consigne de mise en garde concernant le produit, vos actions risquent de provoquer un incendie, une explosion, ou un défaut structurel entraînant des blessures graves voire un décès ainsi que des dégâts matériels. ♦**



MAINTENANCE DU BRULEUR LATERAL

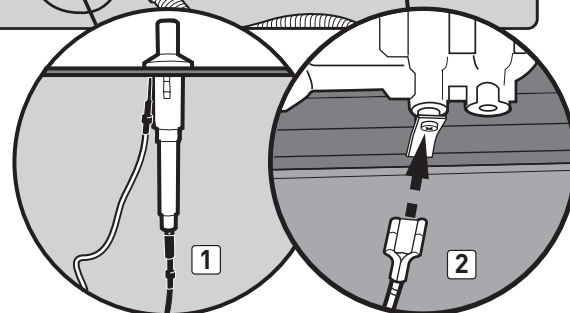
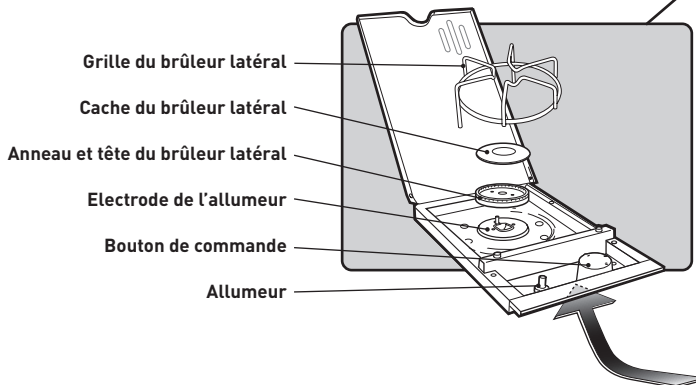
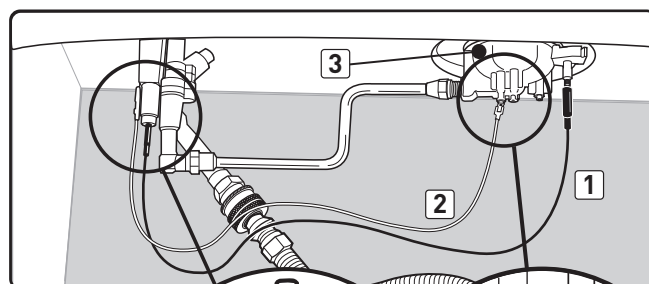
⚠ **MISE EN GARDE: La totalité des commandes de gaz et des valves d'alimentation devraient être positionnées sur ARRÊTÉ.**

Assurez-vous que le câble noir est branché entre l'allumeur et l'électrode.

Assurez-vous que le câble blanc est branché entre l'allumeur et la pince de raccordement à la terre.

L'étincelle devrait être blanche/bleue, pas jaune.

- A) Câble de l'allumeur (1)
- B) Câble de raccordement à la terre (2)
- C) Brûleur (3) ♦



MAINTENANCE ANNUELLE

Inspection et Nettoyage de la Grille Anti-Araignées/Insectes

Pour inspecter les grilles anti-araignées/insectes, retirez le panneau de commandes. En cas de présence de poussière ou d'impuretés sur les grilles, retirez les brûleurs pour nettoyer les grilles.

Brossez légèrement les grilles anti-araignées/insectes avec une brosse à poils souples (par exemple, une vieille brosse à dents).

⚠ ATTENTION : Ne nettoyez pas les grilles anti-araignées/insectes à l'aide d'ustensiles durs ou coupants. Ne délogez pas les grilles-anti-araignées/insectes de leurs emplacements et n'élargissez pas les ouvertures des grilles.

Tapotez légèrement le brûleur pour faire sortir les débris et les impuretés du tube du brûleur. Une fois que les grilles anti-araignées/insectes sont propres, remettez les brûleurs en place.

Si une grille anti-araignées/insectes se détériore ou ne peut pas être nettoyée, veuillez entrer en contact avec le Représentant du Service clientèle le plus proche à l'aide des coordonnées à votre disposition sur notre site Internet. Connectez-vous sur www.weber.com.

Aspect des Flammes du Brûleur

Les brûleurs du barbecue à gaz WEBER ont été paramétrés en usine pour recevoir le mélange d'air et de gaz correct. L'aspect correct de la flamme est présenté sur l'illustration et décrit ci-dessous :

- A) Tube du brûleur (1)
- B) Les extrémités flamboient de temps en temps en jaune (2)
- C) Bleu clair (3)
- D) Bleu foncé (4)

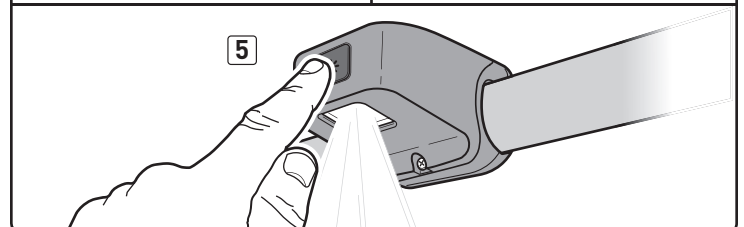
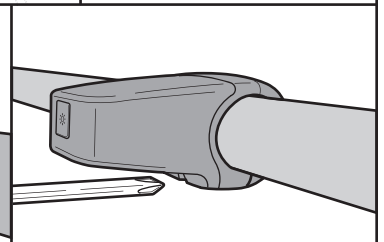
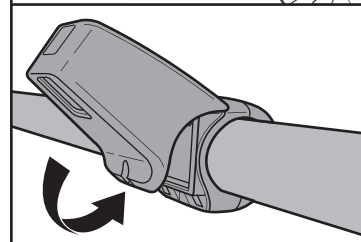
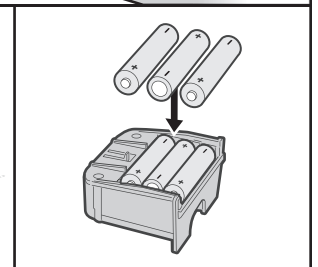
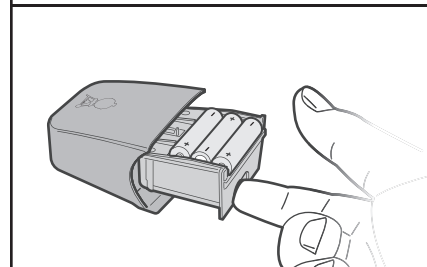
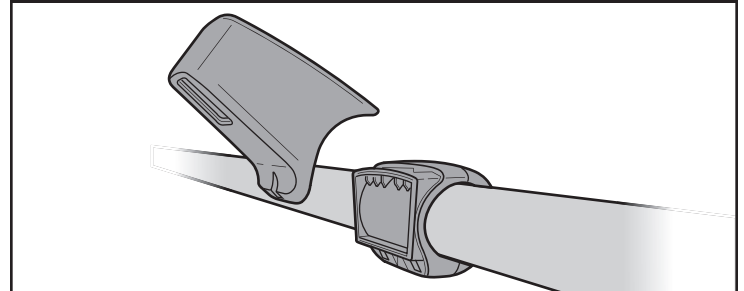
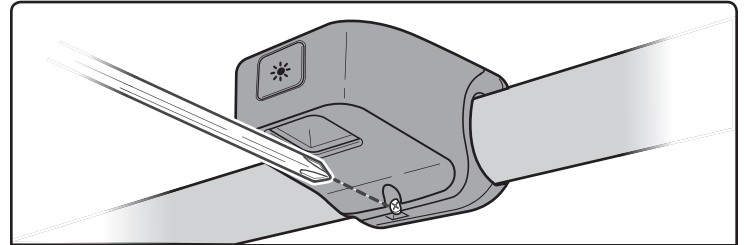
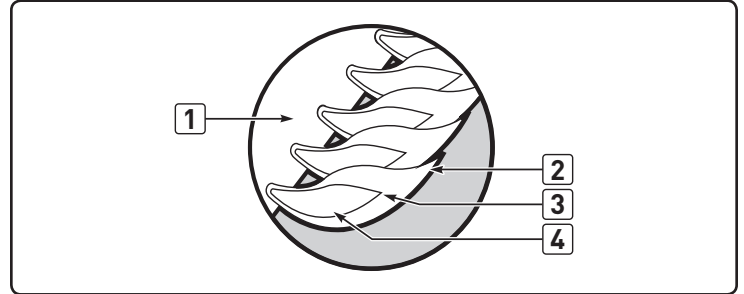
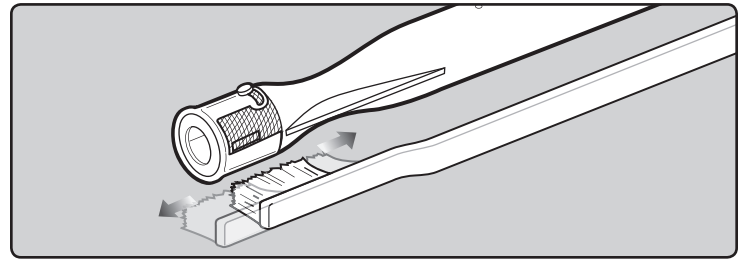
Si les flammes ne semblent pas uniformes tout au long du tube du brûleur, suivez les procédures de nettoyage du brûleur. ♦

ENTRETIEN DE LA LAMPE DU BARBECUE

- Lors de l'installation, utilisez trois piles AAA neuves (alcalines uniquement), et veillez à ce que le film plastique de chaque pile ait été retiré. Ne confondez pas ce film plastique avec l'étiquette de la pile.
- Ne mélangez pas des piles neuves et usagées, ni différents types de piles (standard, alcalines ou rechargeables).
- Vérifiez que les piles sont en bon état et qu'elles sont correctement installées.
- Si vous prévoyez de ne pas utiliser la lampe pendant au moins un mois, retirez les piles.
- Nettoyez la lampe uniquement à l'aide d'un chiffon humide. N'utilisez pas de produits nettoyants à base d'alcool ou abrasifs.
- La lampe résiste à la pluie et à la neige, mais n'est pas étanche. Ne l'immergez pas dans l'eau ou d'autres liquides.
- La lampe résiste à la chaleur. Les feux de graisse ou une utilisation trop prolongée du gril à feu fort peuvent endommager les composants internes.

Appuyez sur le bouton ÉVEIL pour activer la lampe du barbecue. La lampe est équipée d'un « capteur d'ouverture » qui allume la lampe si le couvercle est ouvert et l'éteint lorsque le couvercle est fermé. Si le couvercle reste ouvert ou fermé pendant plus de 30 minutes, la lampe est désactivée. Pour la rallumer, appuyez sur le bouton ÉVEIL (5).

REMARQUE : la lampe NE S'ÉTEINT PAS lorsqu'on appuie sur le bouton ÉVEIL. ♦







WEBER-STEPHEN PRODUCTS LLC
www.weber.com