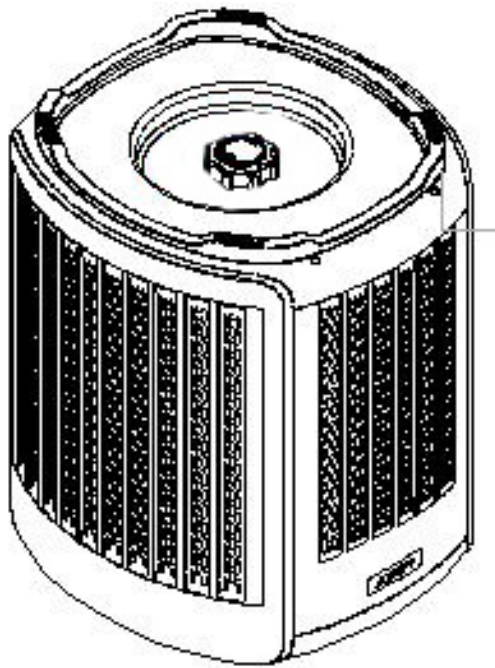


Prolux Enfinity Air Purifier Owners Manual



Read Complete Manual before Operating

Congratulations on your purchase of your new Prolux Enfinity 5 Speed Air Purifier with 7 Year warranty! It is designed to be your answer to improve allergies and keep the air in your home pure and clean.

Unlike other air purifiers that use standard motors with brushes (that wear out) the motor design of the Prolux Enfinity is brushless and is designed to never wear out. Its powerful 5 speeds allow it to be used while you're sleeping (very quiet in sleep mode) to super powerful for maximum cleaning.



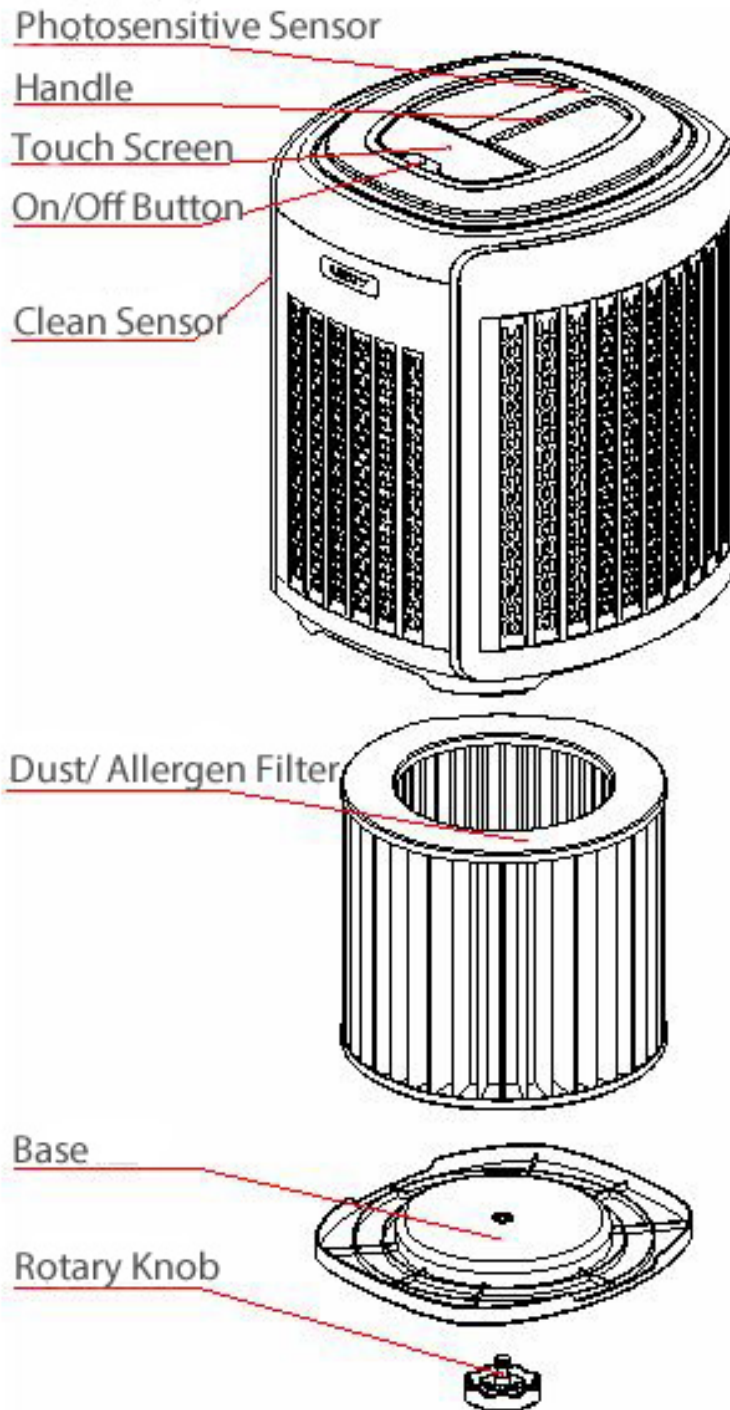
Index Page

Product Specifications	3
Description of Parts.....	4
Safety Instructions	5
Assembly Instructions	6
Air Purifier Use & Operation.....	6
Removing and Installing the Filters for the Air Purifier.....	10
Cleaning the Air Purifier & Maintenance.....	12
Cleaning the Filters	12
Trouble Shooting	13
Storing the Unit.....	13
Warranty	13

SPECIFICATIONS:

- Energy Efficient 45 Watt 120 Volt Powerful Brushless Prolux Enfinity Air Purifier.
- DC Brushless motor is designed to never wear out.
- An amazing 212 CFM (cubic feet of air moved per minute)
- Settings to allow Negative-ion concentration of $3 \times 10^6 / \text{cm}^3$
- 7 year motor and 1 year unit Factory Warranty.
- Easy to Use LCD Display Panel with Manual Mode (5 speeds), Smart Mode (automatically cleans) and Silent Mode (quiet for sleeping).
- Equipped with Timer mode to allow for specific cleaning.
- Uses Carbon Filter to remove odors, Large Hospital Grade HEPA filter for cleaning dust and allergens and Ion cleaning for cleaning the air. The Prolux Enfinity will automatically notify you when its time to clean or replace your filters.
- Designed to be ran 24/7 to keep your air clean. When “Smart” mode is enabled it turns off all lights and powers down to very quiet at night. Then during the day the unit returns to full power cleaning.

DESCRIPTION OF PARTS



SAFETY INSTRUCTIONS

- Before using the product, please carefully read the user manual and keep it for future reference.
- Do not disassemble, repair or refit the machine by yourself. Unauthorized disassembly and repair may cause damage and dangers; an unauthorized refitting may cause fire hazards or damage to the product.
- To avoid shock do not operate the Air Purifier with wet hands.
- Use only with 120 volt power outlets.
- Do not damage the power cord. Do not allow objects on the power cord, and do not bend, pull or twist the power cord. Do not stack heavy objects on the power cord or clamp the power cord between objects. Do not use a damaged power cord to avoid fire and electric shock. In case user damages power cord, quit using immediately and contact your authorized service center for repairs.
- When replacing the filter, cleaning or moving the machine, always turn off the power supply by turning the unit off and unplugging the power cord from the wall outlet. If not, the above operations may damage the machine or cause electric shock.
- Do not install or run the air purifier in high moisture areas. Avoid areas like bathrooms and other high moisture rooms. Do not install the air purifier where it has any risk of having contact with liquids.
- Protect the device from rain and weather. Store the device in a cool and dry place inside. Do not install the Air Purifier outdoors or in direct sunlight (to avoid fading caused by the sun).
- In order to insure optimum purifying place the Air Purifier on the ground and at least 12 inches from the wall. It is suggested that the Air Purifier be moved periodically to avoid any pollution around the machine.
- **As electromagnetic interference may affect the picture quality and sound effect, please be sure to put the air cleaner in a spot at least 7 feet away from equipment which emits weak electromagnetic waves e.g. television, radio, sound equipment, quartz clock, wired antenna and cordless telephone, wireless microphone, etc. Due to different wave lengths of electromagnetic waves, electromagnetic interference may also occur even though the air cleaner is put more than 7 feet away. The receiving of indoor antenna is especially obstructed by the machine, thus, please place the machine in a spot as far away as possible to avoid receiving noise.**
- Do not put body parts or foreign matters in the air outlet or inlet areas to avoid shock, danger and overheating the Air Purifier motor.
- If the user sprays insecticides, pesticides, or other chemicals turn the air purifier off to avoid those chemicals from being absorbed into the Air Purifier. Otherwise certain chemical substances may be accumulated into the machine and generate substances which could be harmful or dangerous.
- Do not spray the machine with chemicals. Only clean with warm water with unit unplugged and powered off.
- If the Air Purifier will not be used for some time unplug from wall and store it safely.
- When unplugging the unit to safely remove the power cord from the wall pull the cord from the plug end. Avoid yanking or pulling the cord from the cord to avoid damage to the cord.
- Do not sit or stand on the Air Purifier to avoid danger. Avoid shaking the unit as well.
- Do not place the unit in a horizontal or inclined position.
- Do not use the Air Purifier for removing toxic substances (e.g. carbon monoxide, silicon gas, etc.)

- Do not use the machine at any place where a large amount of smoke is generated, e.g. kitchen or any place with combustible gas, corrosive gas and metal dust particles, to avoid fire or defects.
- All repairs and service work (including cord repairs) must be done by an authorized service center.
- Do not allow the Air Purifier to come in contact with steam. Steam could cause an electrical default in these devices. Do not clean the Air Purifier if steam comes in contact with the wires and switches.

Keep these instructions in a safe place

ASSEMBLY INSTRUCTIONS

Unbox the unit and all its parts from the box and packing materials. Recycle any left over packing materials.

Read the owners manual.

Place unit in a place in your home as specified by the owners manual.

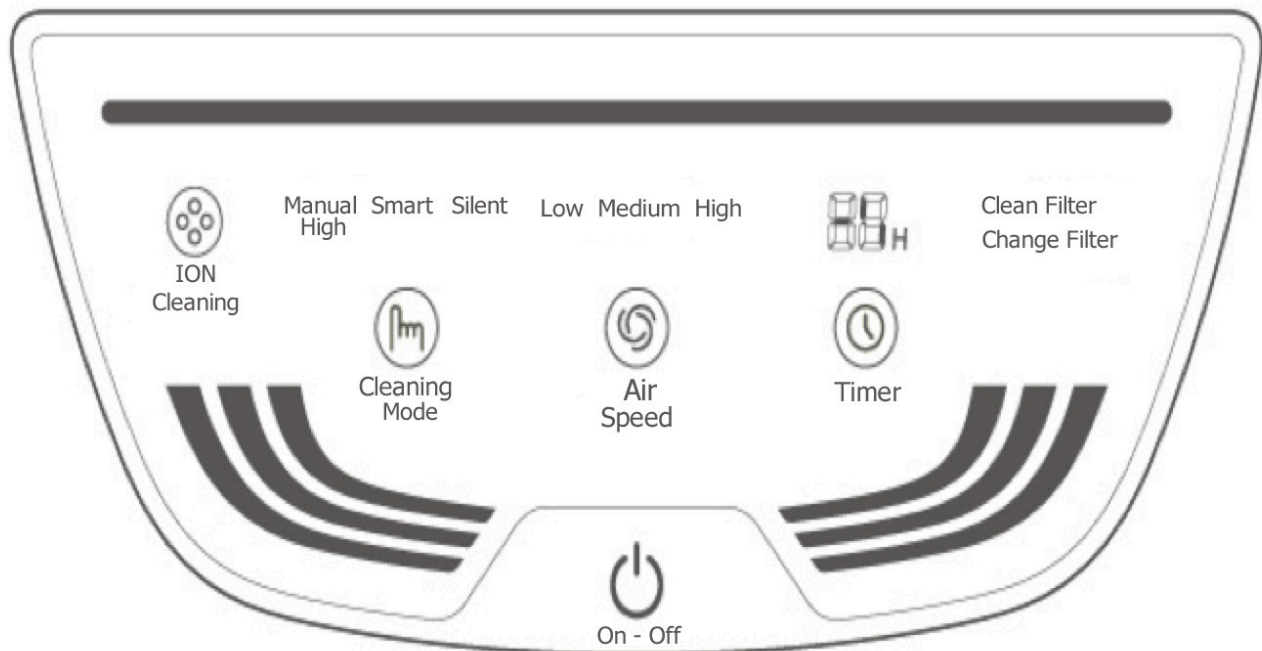
Plug power cord into 120 volt wall outlet.

Power unit to begin air cleaning.

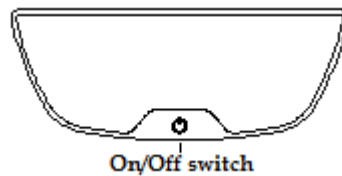
AIR PURIFIER USE & OPERATION

LCD Screen Operation & Settings-

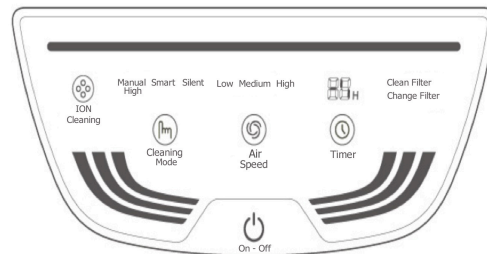
The Air Purifier is operated by a LCD touch screen. Users can simply touch the LCD screen lightly to change operation settings. Below is how to use the Air Purifier via the LCD screens.



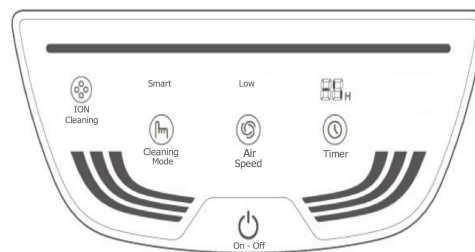
1. Turn On/Off the machine



2. After the Air Purifier is turned on the Air Purifier will make a small sound. The machine is now in stand-by mode with all indicator lights on.



3. 3 seconds after the unit powering on the machine is in normal operating state as shown in the image.



4. If you need to shut down the Air Purifier simply press the ON/OFF button.

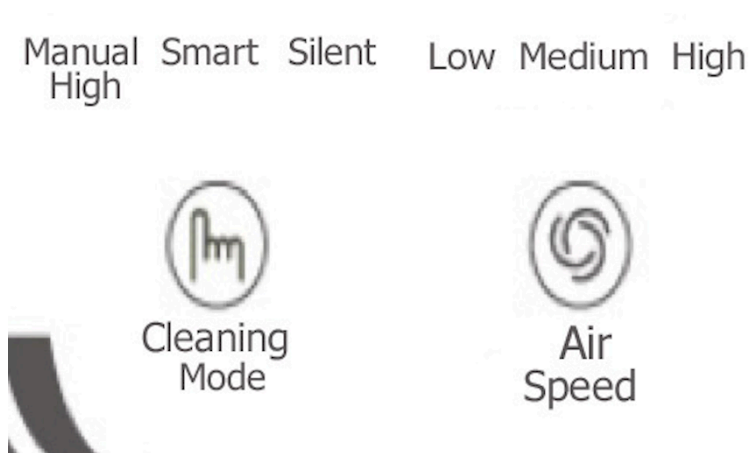
NOTE – The first time you use the unit or if it has been some time after its first use, the display settings showing how clean or dirty the air is, may not be accurate. After 60 minutes of use, settings should be accurate. If after 60 minutes of use they are still not accurate wipe down and clean sensors on the unit.

Ionic Cleaning Operation

Air Cleaning by positive and negative ion generator is built into the air purifier, and can release millions of positive and negative ions into the air. The benefit to releasing positive and negative ions into the air is it can kill bacteria and clean and sterilize the air.

1. To turn on Ionic Sterilization simply press the Ion Cleaning button.
2. After the Ionic Cleaning button is pressed the Ionic indicator will light up, notifying the user that the Air Purifier is now cleaning with Ionic Sterilization.
3. To turn off Ionic Sterilization the user may simply press the Ionic Cleaning button and when the indicator turns off for Ionic Sterilization it is no longer cleaning with Ionic Sterilization.

3 Cleaning Modes



The unit comes with 3 modes;

1. Silent Mode - This mode is for sleeping. When selected the display on the screen shall power off and the air purifier will run quieter.
2. Smart Mode - In this mode when lights are turned off in the room, 30 seconds later the air purifier will enter Silent mode. The display on the screen shall power off and the air purifier will run quieter. Then when light enters the room again (either from a light being turned on or natural sunlight entering the room) the screen lights shall power back on and cleaning speed will return to normal. In this way the user changes nothing and the unit runs quiet at night for sleeping and returns to full power cleaning during the day.
3. Manual / High Cleaning Mode- This mode is for maximum cleaning and very dirty air. The fan speed will be the most powerful on this mode. The indicator light on the screen is circular as set by the fan speed. The unit is equipped with a Carbon filter to remove powerful odors like smoke and other odors. When cleaning odors from a room use it on this mode.

Note: This Air Purifier is equipped with a indicator when your main filter is dirty and ready to be replaced. When the filter replacement indicator light is on, please clean or replace the corresponding filter screen and press and hold the air speed/reset button for 5 seconds to cancel the filter screen replacement reminder indicator light. Otherwise, its cleaning efficiency will be decreased and it may affect the sensitivity of the built-in photosensitive sensor of the machine. Also, the machine cannot go into the sleep mode normally at night.

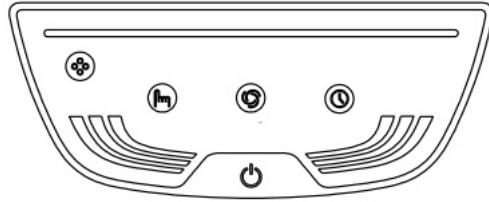
Air Speeds -

The Air Purifier unit is equipped with 5 different speeds. The speeds are listed from low speed to high.

1. Lowest speed – setting is SLEEP mode.
2. Low speed- setting is SMART mode and LOW speed.
3. Medium Speed – setting is SMART mode and MEDIUM speed.

4. High Speed – setting is SMART mode and HIGH Speed.
5. Very High Speed – setting is MANUAL /HIGH mode and High speed.

As fan speed increases so will the bars on the indicator (as shown in the image below)



Timing Mode

The Prolux Infinity is equipped with a timing mode that allows the unit to run up to 12 hours and then turn off. When users press the button the indicator will show “01” meaning 1 hour timer. When user presses the button again it will show “02”. User may continue pressing button to get desired timer settings up to 12 hours.



Timer

Filtration Types

Preliminary Filter Screen- This filter is designed to remove large particle dust, hair and some allergens. Its primary purpose is to improve the life of the main HEPA filter.

Hospital Grade Primary HEPA Filter with Odor Cleaning - This filter can filter down to HEPA filtration standards (cleans down to an amazing 2.5 microns or 99.975%) to remove allergens and fine dust to keep your air pure and clean.

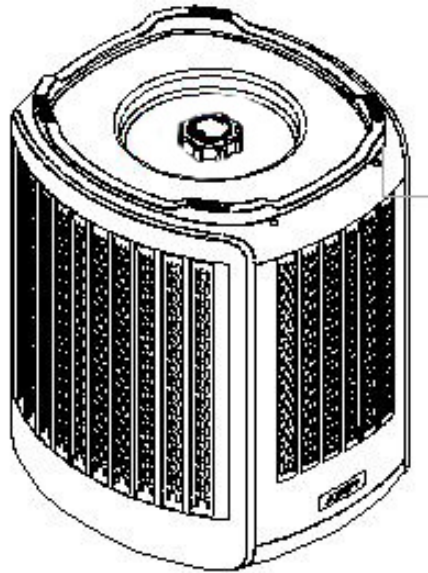
This filter is also infused with “Active Carbon Particles” which absorb odors and gases like smoke, odors, formaldehyde, ammonia, and other gaseous pollutants. If you live in a area that has pollution this allows you to keep your air clean and fresh.

Positive & Negative Ion Generator – Positive & Negative Ions are used to kill peripheral bacteria and help purify the users air.

NOTE- When using the Air Purifier for the first time be sure to remove all packing and materials from around the filters.

REMOVING AND INSTALLING THE FILTERS FOR THE AIR PURIFIER

First make sure the unit is unplugged from the wall outlet. Take the air purifier and turn it upside down on a soft couch (so the LCD screen is on a couch cushion and does not scratch).



Next turn the rotary knob (counter clockwise to loosen) (or clockwise to tighten) as shown in the image (fig.1)

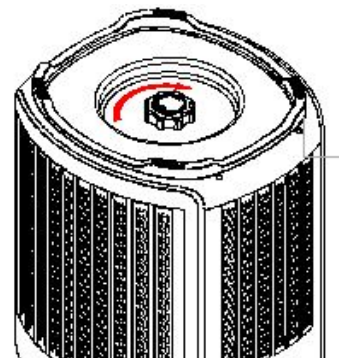


Fig 1

Now remove the bottom plate to gain access to the filter chamber (fig. 2).

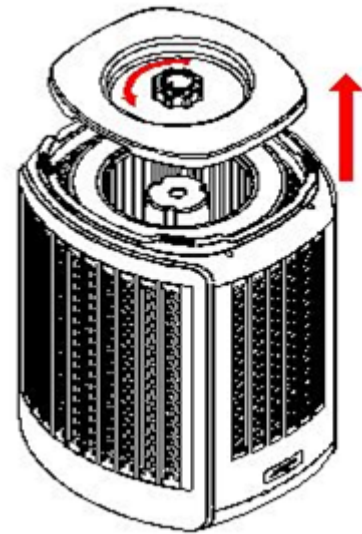


Fig 2

Remove (or insert if you are putting filters in) the filters to the unit as shown in the image (fig. 3).

If you are inserting your filter: After you have inserted the filter put the bottom plate back on and turn the rotary knob clockwise until it is snug and the bottom plate is securely in place. With the filter installed correctly the unit is now ready to be plugged in and operated.

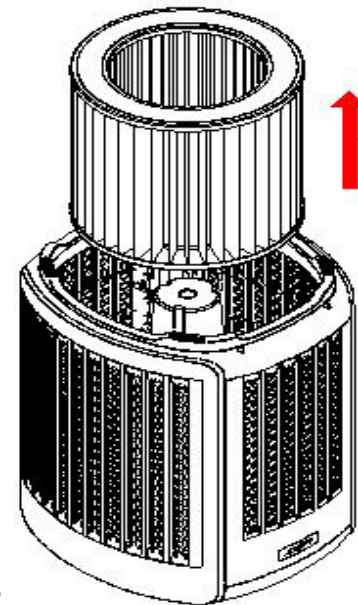


Fig 3

CLEANING THE AIR PURIFIER AND MAINTENANCE

Before cleaning or maintaining the unit ALWAYS unplug it from the wall outlet first.

The cleaning frequency can be increased based on how dirty the environment is that the air purifier is cleaning in.

Wipe dirty marks by using a soft cleaning cloth that is damp with warm water. Only use the air purifier again if the water or moisture used in cleaning has completely dried.

For best results in cleaning it is best to keep the filters clean. It is suggested that the user cleans the filter at least every 6 months of use and replace the filter when the indicator says. Below are instructions on how to clean the filter:

CLEANING THE FILTERS



Clean Filter

Change Filter



While cleaning the filters every 6 months of use is suggested, the unit is equipped with indicators that tell you when the filters need cleaned or replaced. To clean the filter, follow the instructions below. It is suggested that when the indicator lights turn on suggesting filter needs cleaned that you clean the filter once and the next time the indicator lights come on you replace the filter.

After replacing or cleaning the filters (instructions below) to turn off the indicator light reminding you to clean or replace it simply hold down the air speed button for at least 5 seconds. **ALSO, remember there are 2 filters to be cleaned. The preliminary filter (catches large objects and makes your HEPA filter last longer) and the HEPA filter.**

Main filter unit is NOT washable but still may be cleaned. See instructions for Removing And Installing The Filters For The Air Purifier. After removing the filter, place it on a flat surface on top of some newspaper. Large dirt particles may fall onto the newspaper. Then take a vacuum cleaner with a soft brush (duster brush) and vacuum out the dirt and dust in the filters.

NOTE – Do not wash filter using water and do not let filter sit in sunlight over 1 hour.

Once the filter is cleaned reverse the steps shown above to put the unit back together before use.

TROUBLE SHOOTING

UNIT FAILS TO TURN ON - First make sure the 120 volt wall outlet that the cord is plugged into has electricity going to it. Make sure the cord is firmly plugged into the wall outlet all the way. Make sure the user is firmly pressing the ON/OFF button to power on. If unit still does not power on then contact your authorized service center.

NO AIR IS EXHAUSTING OUT OF THE UNIT – First make sure the unit is powered on and motor is turning. If the problem is still not solved then check for blockages or debris in the exhaust ports. If air amount seems low clean the filter. If this still does not solve the problem then contact your authorized service center.

UNIT DOES NOT SEEM TO BE CLEANING LIKE IT SHOULD – Check to make sure unit is placed in the correct place for maximum cleaning effect. See manual for number of inches unit should be placed away from a wall. Make sure there is no debris blocking the exhaust of air. Finally check the filter to make sure it is clean. If this still does not solve the problem then contact your authorized service center.

UNIT DOES NOT GO INTO SLEEP MODE WHEN LIGHT IS DIMMED – Clean the Photosensitive Sensor hole (for location of Photosensitive Sensor see page 4). Place unit in location where no light (natural or otherwise) is reaching the unit.

For any other issues contact your authorized service center or the authorized dealer you bought the unit from.

STORING THE AIR PURIFIER

Storage- When not in use for long periods of time store unit unplugged in dry place indoors with no sunlight reaching the unit. Do not store the unit on its side.

WARRANTY INFORMATION

Warranty Information for the Prolux Enfinity Air Purifier

The manufacturer Prolux provides warranty of this Air Purifier for a time period of 1 year on the appliance and 7 years on the motor, starting from the date on which the appliance is sold to the end user. Filters are excluded from the warranty as they will have to be changed depending on use. The repairs under warranty may only be carried out by an authorized service center. In case of warranty contact your authorized Prolux dealer you bought the unit from. In case of warranty issues the customer is responsible for paying for all shipping costs to and from the warranty center and Prolux is responsible for paying for all parts and labor associated with the warranty claim. When making a claim under the warranty, the proof of purchase (with purchase date) must be submitted. The warranty will not apply in cases of:

- Non Normal wear and tear (example- commercial use).

- Incorrect use, e.g. overloading of the appliance, use of non-approved accessories, using the unit outside.
- Use of force, damage caused by external influences.
- Damage caused by non-observance of the user manual, e.g. connection to an unsuitable electrical wall outlet or non-compliance with the installation instructions or being dropped.
- Partially or completely dismantled appliances.