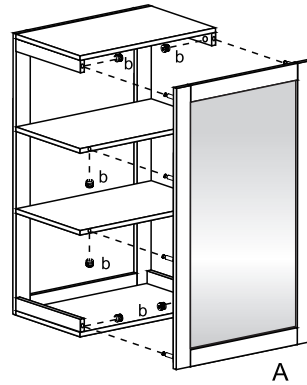


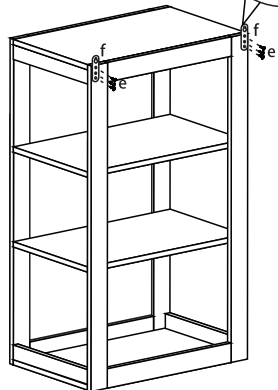
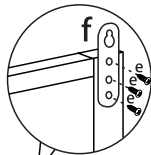
#### STEP 4

With the help of another person, carefully attach the Mirror Panel (A) to all the shelves and lock it into place with Cam-lock Nut (b).



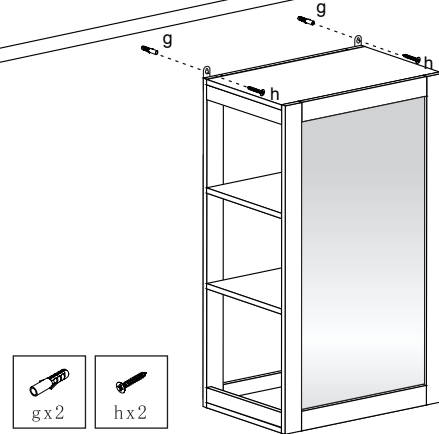
#### STEP 5

Attach Hanging Strip (f) to the back of Back Frame (B) using Self Tapping Screw (e).

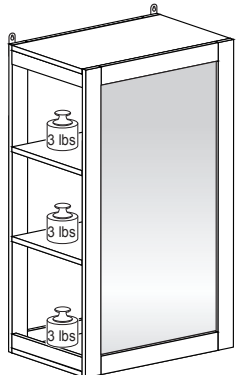


#### STEP 6

With the help of another person carefully attach the assembled unit to the wall using Wall Plug (g) and Short Screw (h).



#### Recommended Maximum Weight



#### WARNING:

>This unit has been designed to support the maximum loads shown. Exceeding these load limits could cause sagging, instability, product collapse, and/or serious injury.

>DO NOT allow children to climb on unit.

>Put heavier items on lower shelves.



### Assembly Instruction

Furinno Wall Mounted Shelf with Mirror  
MODEL : 11018

00:30

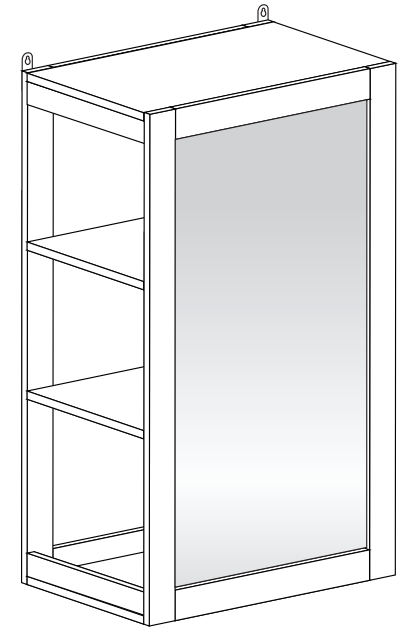
Approx. 30 minutes



Recomm. 2 Person



Tools Required














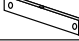

#### Customer Support

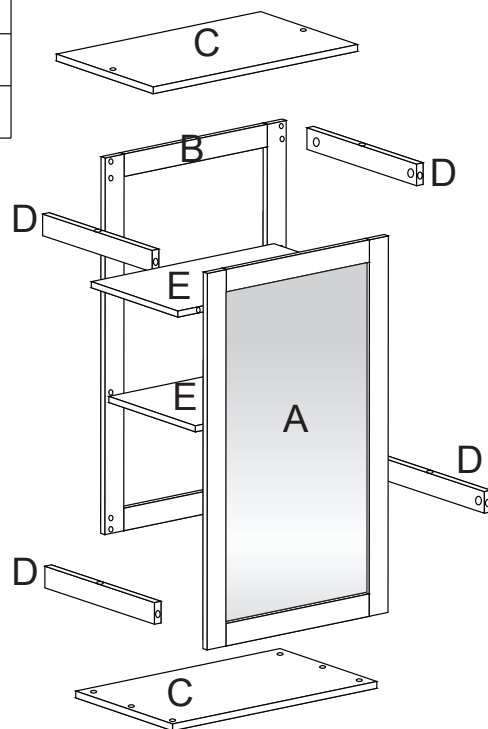
**NEED HELP?** For replacement requests or product inquiries, please contact our Customer Service Team by emailing us at [support@furinno.com](mailto:support@furinno.com). Thank you for selecting Furinno!

[www.furinno.com](http://www.furinno.com)



No	Hardware List	Qty
a	Cam-lock Screw 	12pcs
b	Cam-lock Nut 	12pcs
c	Dowel 	8pcs
d	Long Screw 	12pcs
e	Self Tapping Screw 	6pcs
f	Hanging Strip 	2pcs
g	Wall Plug 	2pcs
h	Short Screw 	2pcs

No	Parts List	Qty
A	Mirror Panel 	1pc
B	Back Frame 	1pc
C	Top/Bottom Panel 	2pcs
D	Side Support 	4pcs
E	Shelf Panel 	2pcs

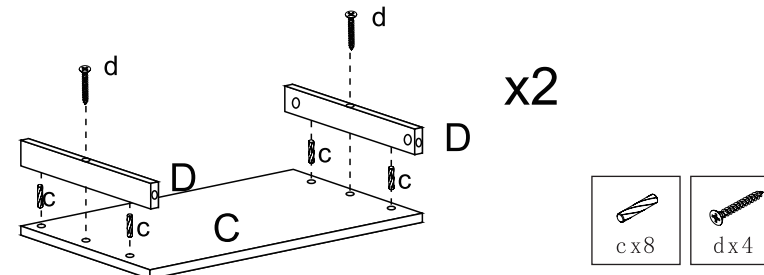


#### USEFUL HINTS BEFORE YOU START:

1. Read each step carefully before starting.
2. It is important that each step is performed in correct order to avoid difficulties.
3. Identify, sort and count the parts before assembly.
4. Assemble your furniture on packaging cardboard to prevent scratch or damage.
5. Clean the product with mild cleanser using soft damped cloth. Do not use harsh or abrasive cleanser.
6. Using incompatible hardware might cause damage to product.

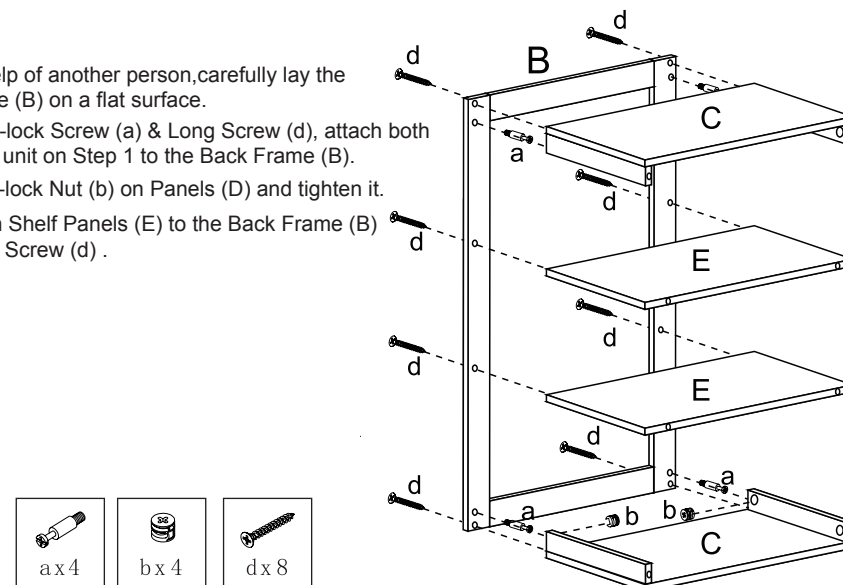
#### STEP 1

Using Dowel (c) & Long Screw (d), attach Side Supports (D) to Panels (C) as per the diagram. Repeat this step.



#### STEP 2

- 2.1 With the help of another person, carefully lay the Back Frame (B) on a flat surface.
- 2.2 Using Cam-lock Screw (a) & Long Screw (d), attach both assembled unit on Step 1 to the Back Frame (B).
- 2.3 Insert Cam-lock Nut (b) on Panels (D) and tighten it.
- 2.4 Attach both Shelf Panels (E) to the Back Frame (B) using Long Screw (d).



#### STEP 3

Insert Cam-lock Screw (a) to the back of the Mirror Panel (A) as per the diagram.

