

### Features

- Includes cutout templates.
- 9-1/2 inch depth.
- Includes 1 sink rack.

### Material

- KOHLER Neoroc material.

### Installation

- Includes 1 faucet hole on rear deck (3 more faucet holes available for knockout with ball-peen hammer & punch).
- 36-inch minimum base cabinet width for under-mount installation.
- 36-inch minimum base cabinet width for top-mount installation.
- Top-mount or under-mount installation.

### Recommended Accessories

- K-9000 P-Trap
- K-5376 Sink Rack
- K-6109 Sink Rack

### Optional Accessories

- K-8801 Sink Strainer

### Components

- Additional included component/s: K-6109.



### Codes/Standards

CSA B45.5/IAPMO Z124



### KOHLER® Neoroc® Sinks Lifetime Limited Warranty

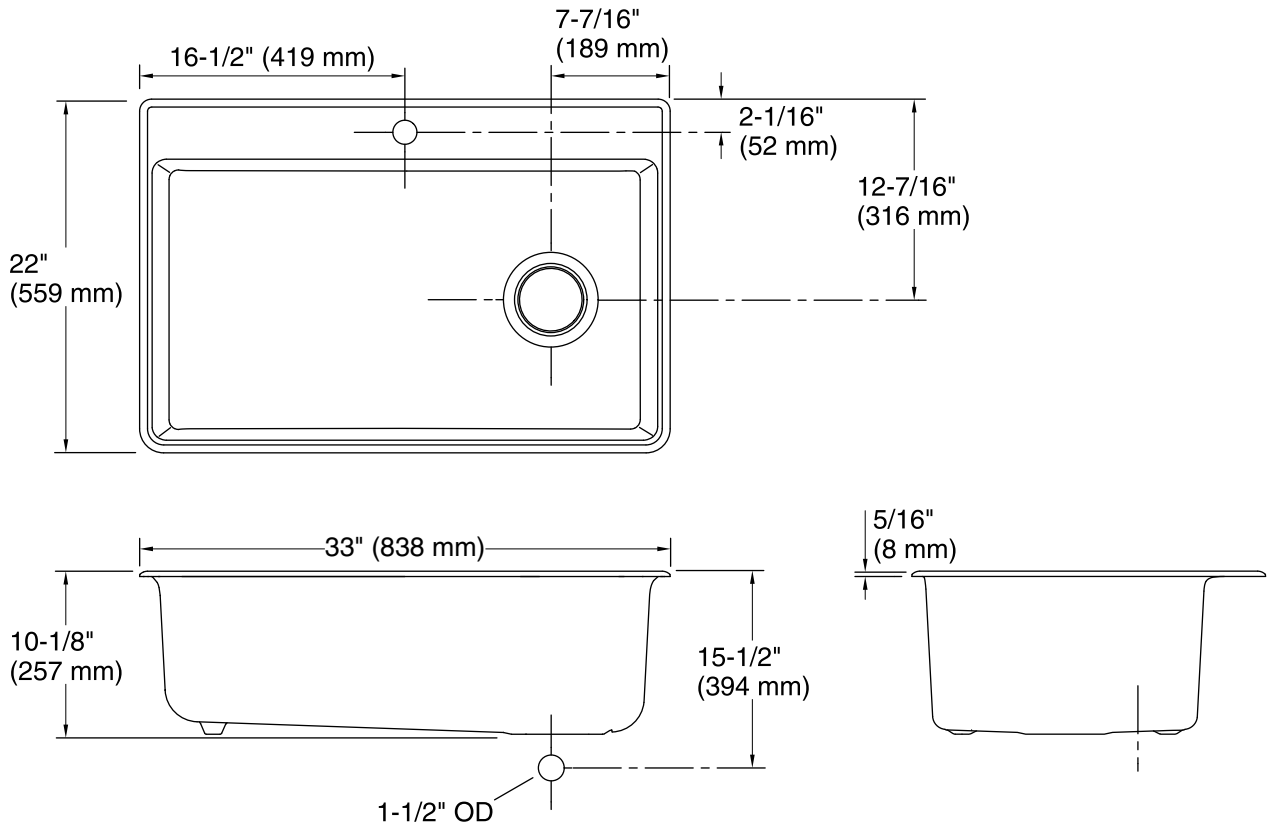
See website for detailed warranty information.

### Available Color/Finishes

*Color tiles intended for reference only.*

Color	Code	Description
-------	------	-------------

	CM1	Neoroc® Matte Black
	CM2	Neoroc® Matte Brown



## Technical Information

All product dimensions are nominal.

Installation:	Under-mount, Top-mount
Bowl area:	Length: 33-1/8" (841 mm) Width: 16-15/16" (430 mm) Bowl depth: 9-1/2" (241 mm) Water depth: 9-1/2" (241 mm)
Drain hole:	3-7/8" (98 mm)
Template:	1281757-7, required, included

## Notes

Install this product according to the installation instructions.