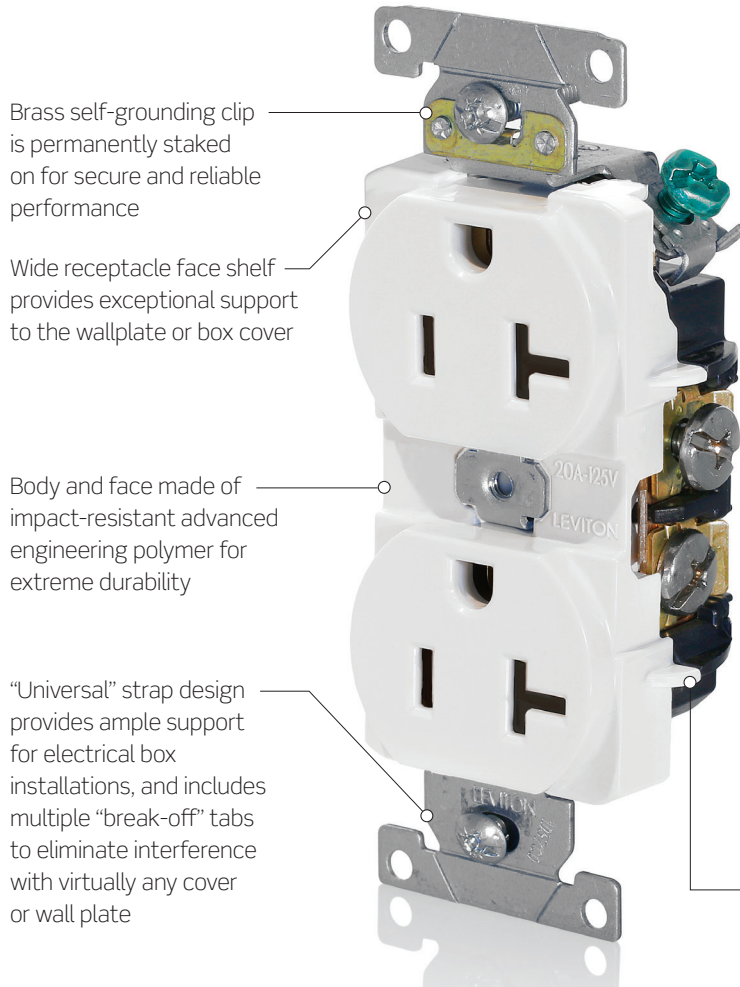


Duplex Receptacles

Heavy-Duty Industrial Specification Grade 15 A & 20 A, 125 V

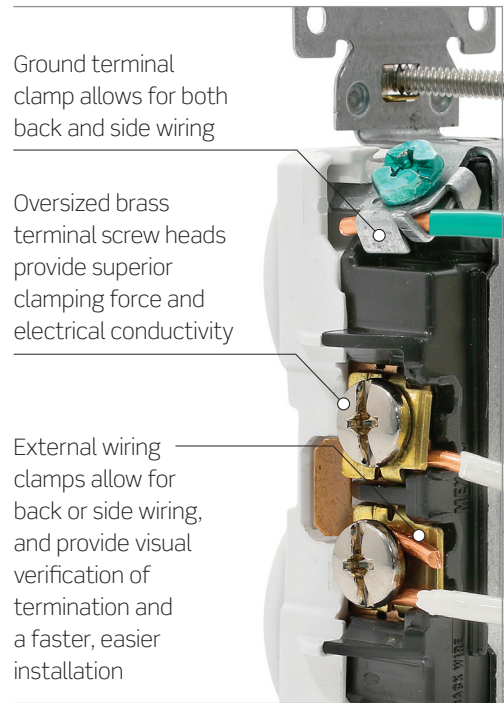


Brass self-grounding clip is permanently staked on for secure and reliable performance

Wide receptacle face shelf provides exceptional support to the wallplate or box cover

Body and face made of impact-resistant advanced engineering polymer for extreme durability

“Universal” strap design provides ample support for electrical box installations, and includes multiple “break-off” tabs to eliminate interference with virtually any cover or wall plate



Ground terminal clamp allows for both back and side wiring

Oversized brass terminal screw heads provide superior clamping force and electrical conductivity

External wiring clamps allow for back or side wiring, and provide visual verification of termination and a faster, easier installation

Molded in ribs prevent terminal screws from making contact with wall box

Common Applications:

- Commercial Buildings
- Transportation Facilities
- Municipal Buildings
- Educational Facilities

Ordering Information

| Ratings | | 15 A/ 125 V | 20 A/ 125 V |
|-------------|--------------|-------------|-------------|
| NEMA Config | | 5-15R | 5-20R |
| Order ID | Brown | 5252 | 5352 |
| | Ivory | 5252-I | 5352-I |
| | White | 5252-W | 5352-W |
| | Gray | 5252-GY | 5352-GY |
| | Red | 5252-R | 5352-R |
| | Blue | 5252-BU | 5352-BU |
| | Black | 5252-E | 5352-E |
| | Light Almond | 5252-T | 5352-T |

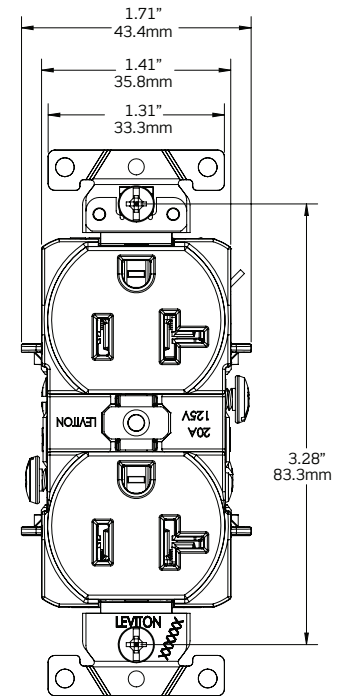
Specifications

| Rating | 5252 | 5352 |
|---------------------------------------|---|-------|
| AC Horsepower Rating | | |
| At Rated Voltage | ½ HP | 1 HP |
| Electrical Specification | | |
| Amperage | 15 A | 20 A |
| NEMA | 5-15R | 5-20R |
| Voltage | 125 V | |
| Grounding | Self-Grounding* | |
| Pole | 2 | |
| Wire | 3 | |
| Dielectric Voltage | Withstands 3000 V min | |
| Temperature Rise | Max 30° C after 250 Cycles Overload at 200% rated current | |
| Environmental Specifications | | |
| Flammability | UL94 V0 | |
| Operating Temperature | Maximum continuous 75 °C, minimum -40 °C (w/o impact) | |
| Material Specifications | | |
| Face | PBT Polyester Blend | |
| Body | PBT Polyester Blend | |
| Strap | Steel (Galvanized G60) | |
| Ground Contact | 0.030" Brass | |
| Mounting Screw | Triple-Drive Plated Steel | |
| Ground Screw | #8 Hex Head, Triple-Drive Brass | |
| Line Contacts | 0.030" Phosphor Bronze | |
| Terminal Clamp | Brass | |
| Terminal Screws | #8 Triple-Drive Brass | |
| Ground Clip | Brass | |
| Mechanical Specifications | | |
| Product ID. | Ratings are permanently marked on the device | |
| Terminal ID | Brass - Hot, Silver - Neutral, Green - Ground | |
| Terminal Accommodation | #14 - #10 AWG | |
| Wire Types | Solid or Stranded | |
| Termination | Back and Side Wire | |
| Standards & Certifications | | |
| NEMA | WD 1 & WD 6 | |
| ANSI | C-73 | |
| Certification/Listing | cULus, NOM-ANCE | |
| Applicable Standards | UL498, Fed Spec W C 596, CSA C22.2 NO. 42 | |
| RoHS | RoHS Compliant | |
| Warranty | | |
| Product Warranty | 10 Years | |

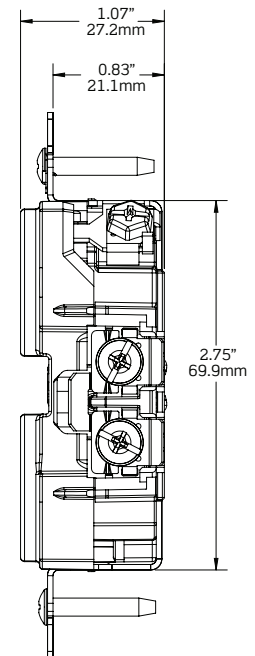
*Self Grounding when installed in a properly grounded metallic box

Dimensions

Front View



Side View



Visit our Website at:
www.leviton.com/commercial
 email: commercial@leviton.com

Q-1137

041618

Leviton Manufacturing Co., Inc.
 201 N Service Rd, Melville, NY 11747
 Telephone: 1-800-323-8920 • FAX: 1-800-832-9538
 Tech Line (8:30AM-7:30PM E.S.T. Monday-Friday): 1-800-824-3005

© 2018 Leviton Manufacturing Co., Inc. All rights reserved.

