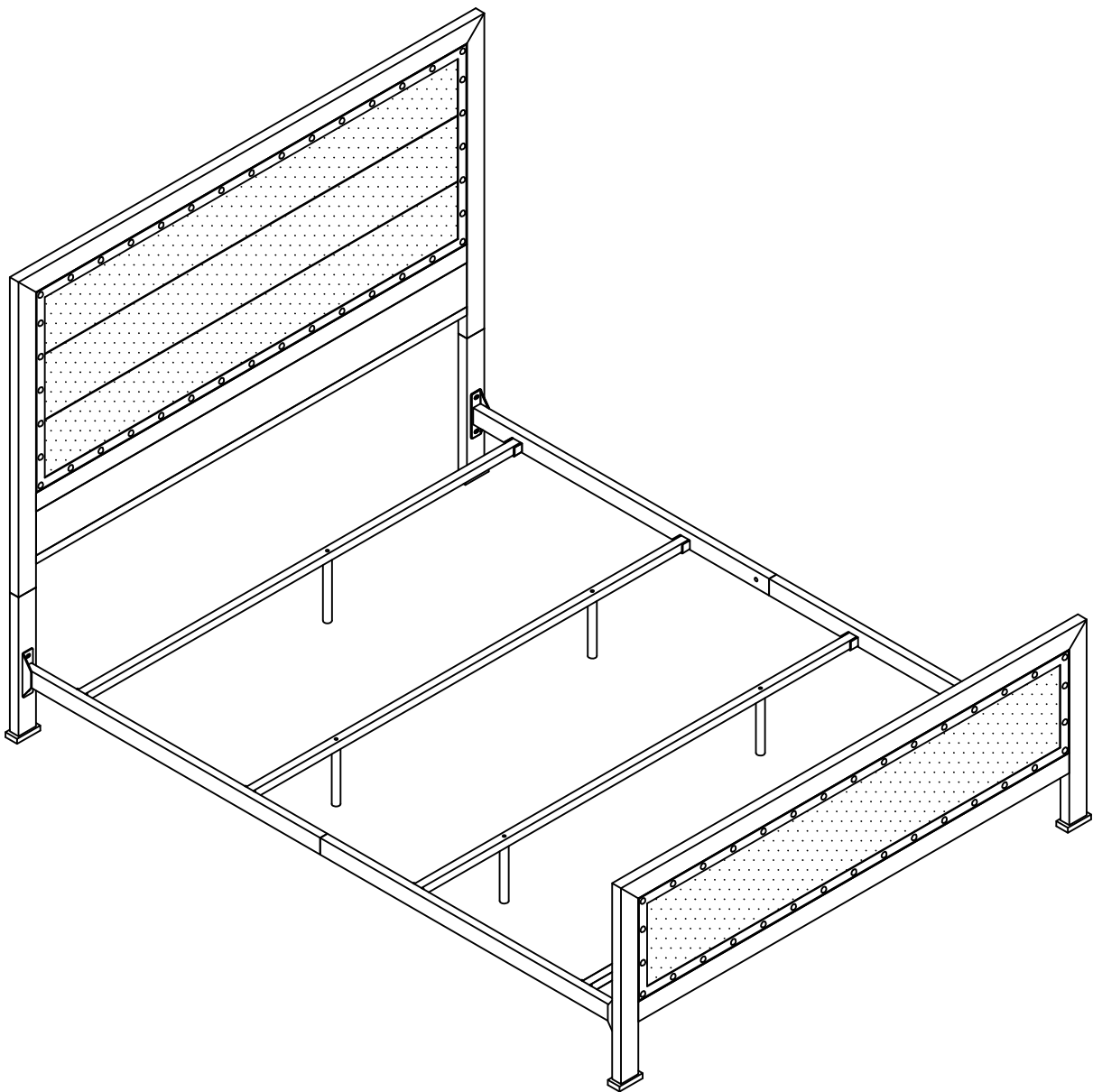


W Walker[®]
Edison
furniture company

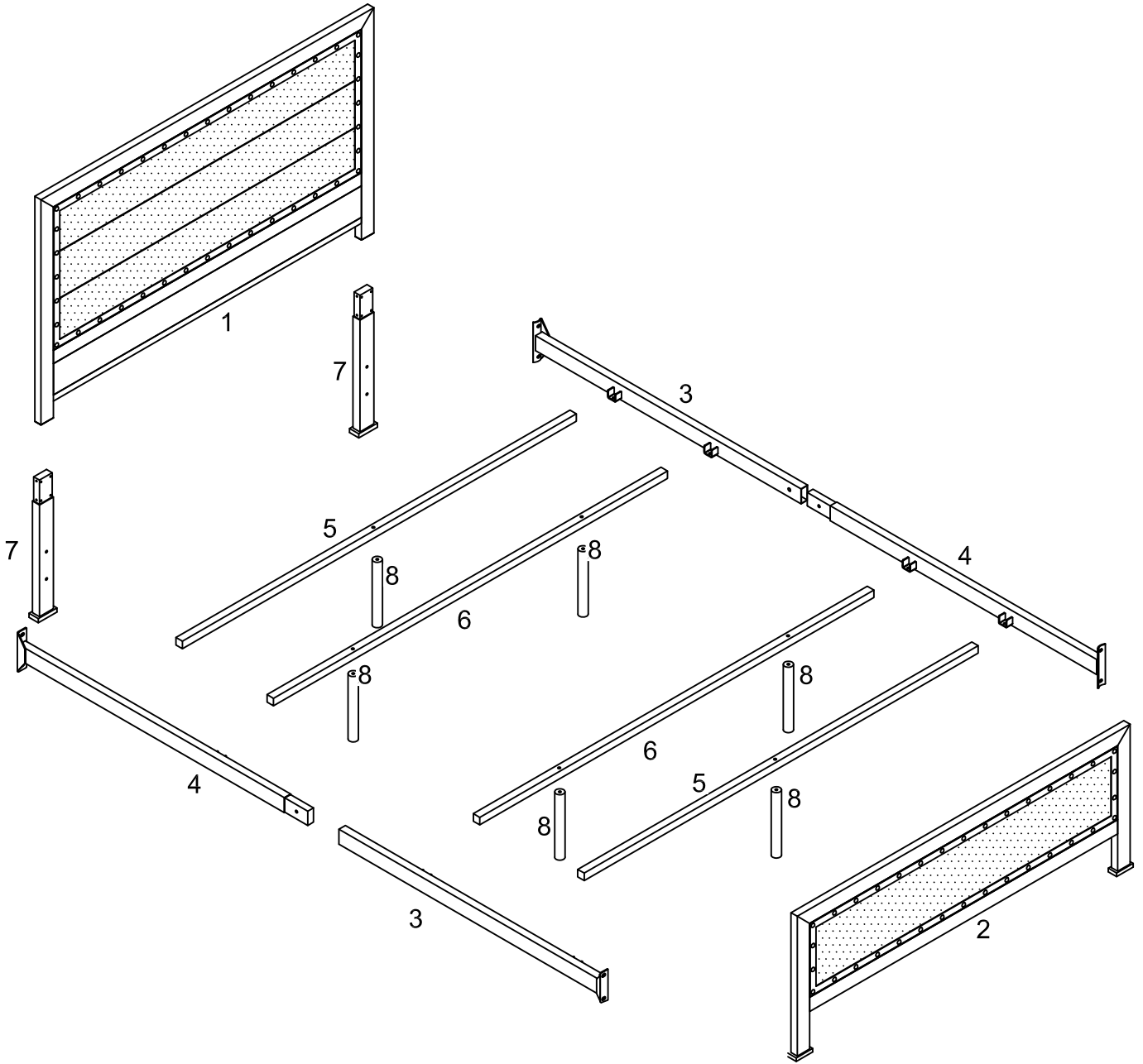
Item # : BQAW
Assembly Instructions



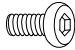
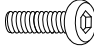
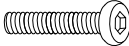


Please visit our website for the most current instructions, assembly tips, report damage, or request parts. www.walkeredison.com

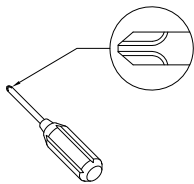
Revised 02/2018

Parts List



Hardware List

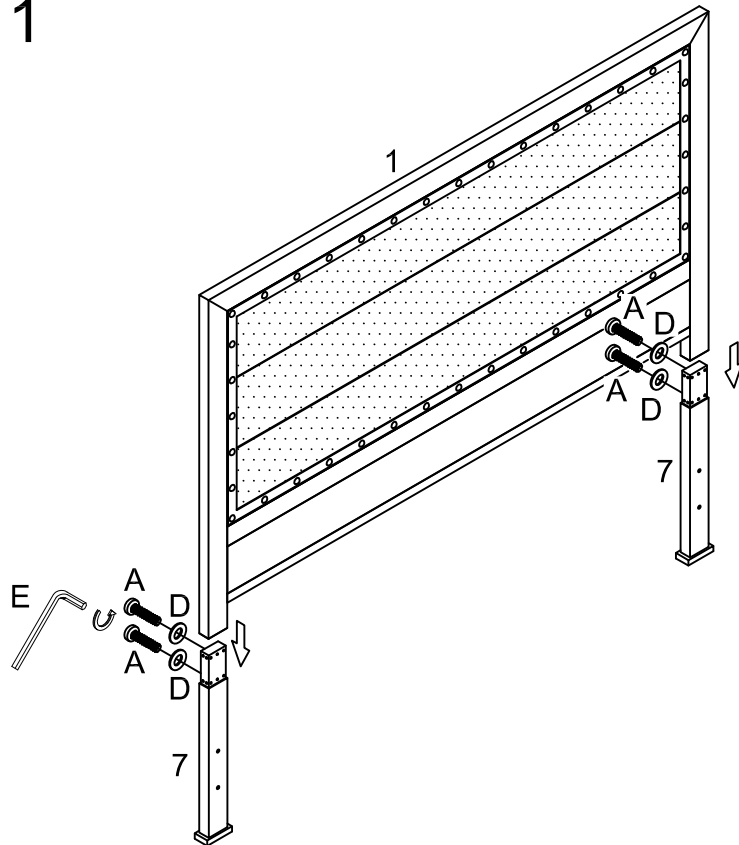
A		1/4"x1/2"	Bolt	4 pcs
B		1/4"x3/4"	Bolt	22 pcs
C		1/4"x1-3/4"	Bolt	6 pcs
D		Ø16	Washer	32 pc
E		4x4mm	Wrench	1 pc



Philips head screwdriver required for assembly
(not included)

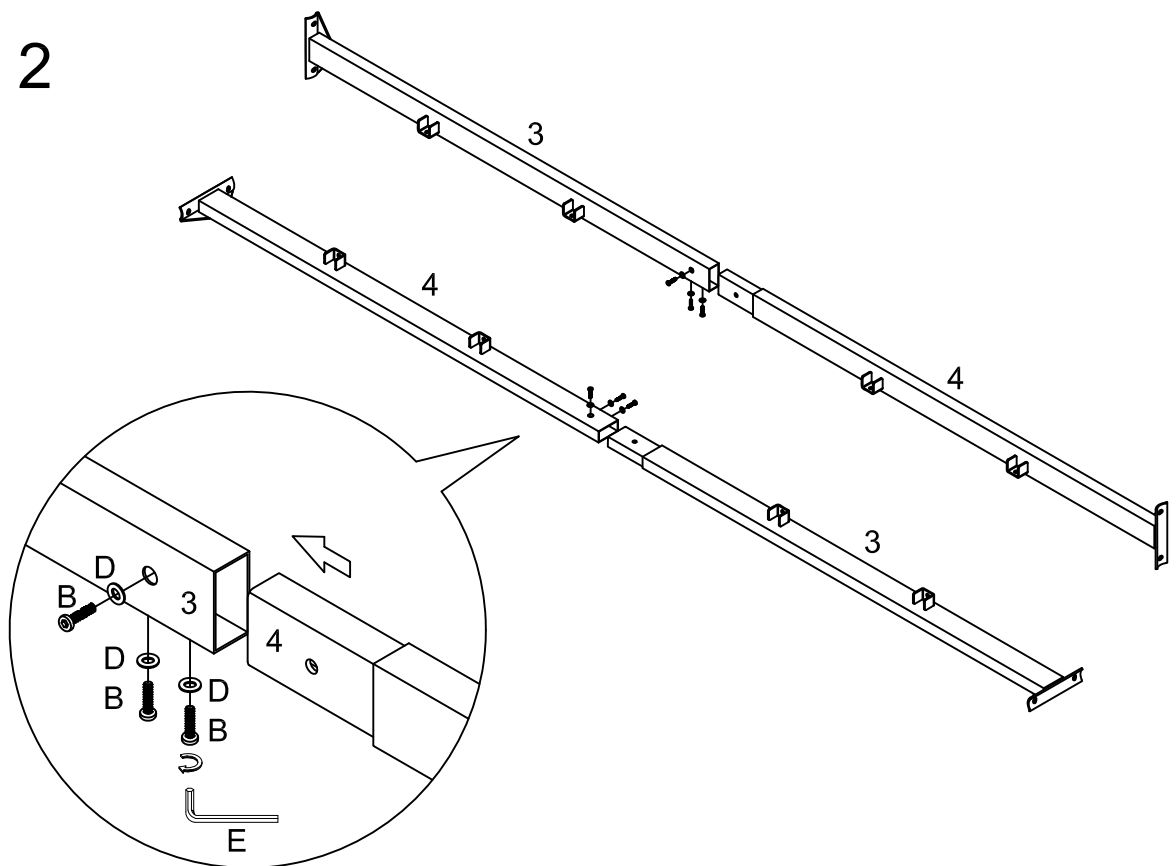
*The hardware quantities listed above are required for proper assembly.
Some extra hardware may also have been included.*

Step 1



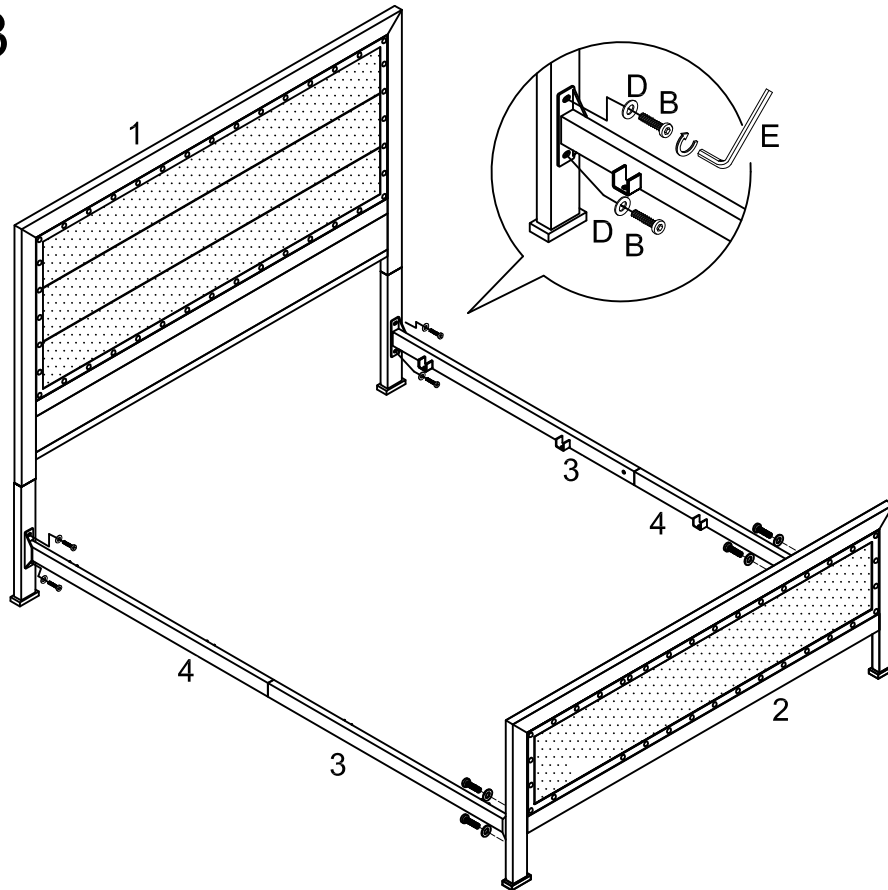
Join headboard (1) to legs (7) as shown in the diagram.

Step 2



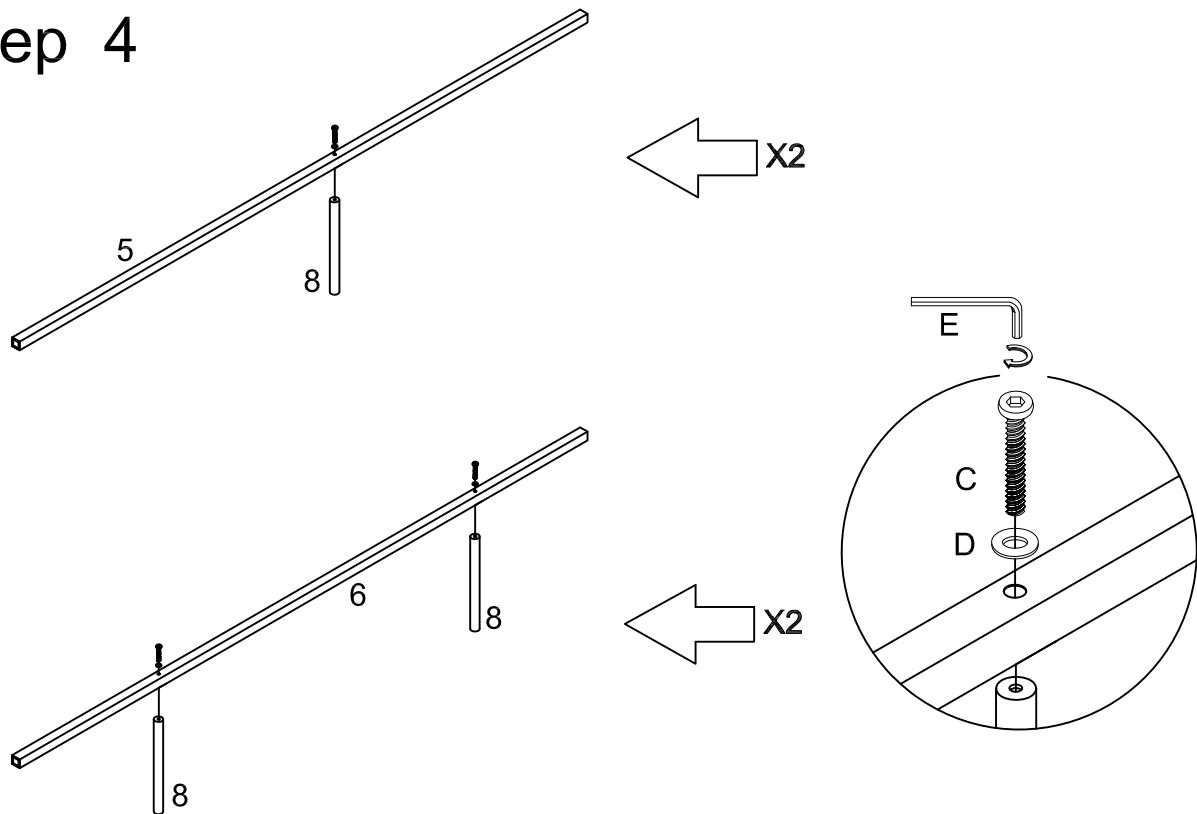
Secure parts (3) and (4) together using bolts (B) and washers (D) as shown.

Step 3



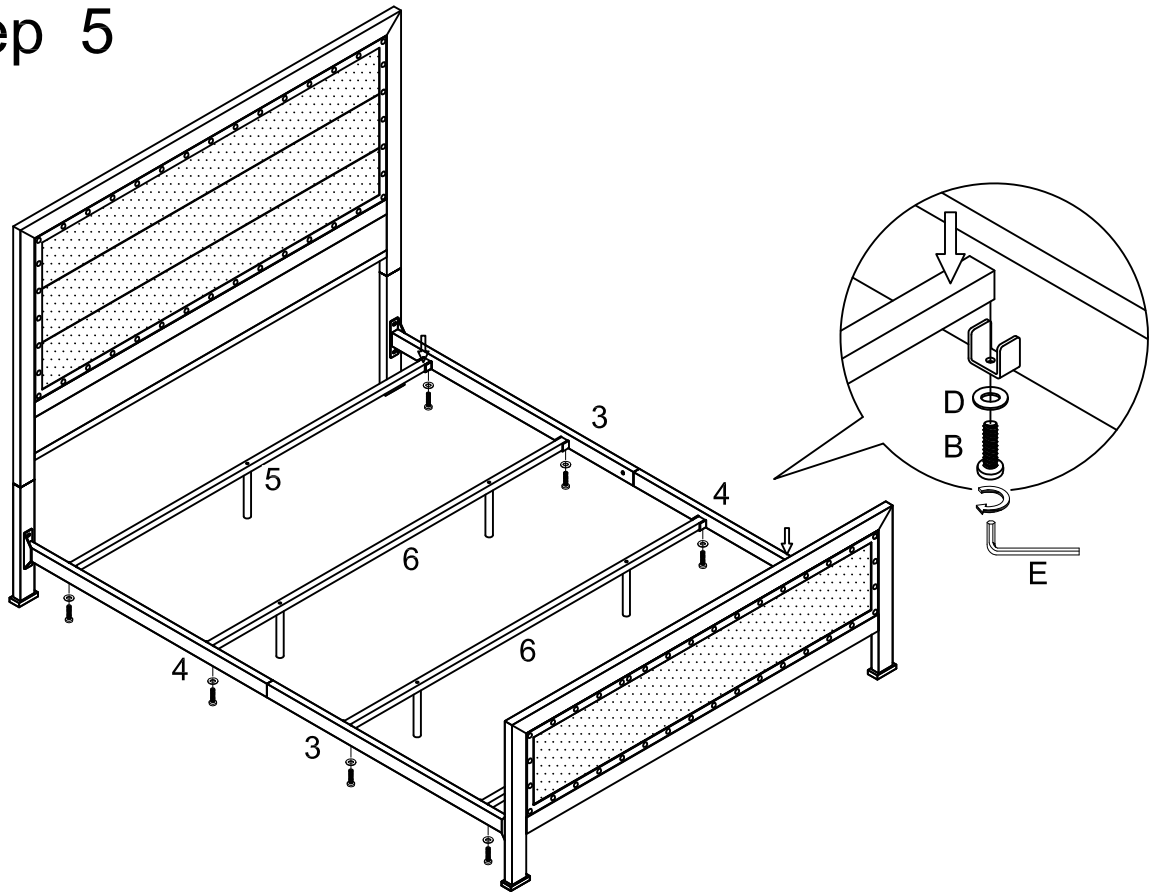
Attach assembled supports (3,4) to headboard (1) and footboard (2) using bolts (B) and washers (D) as shown.

Step 4



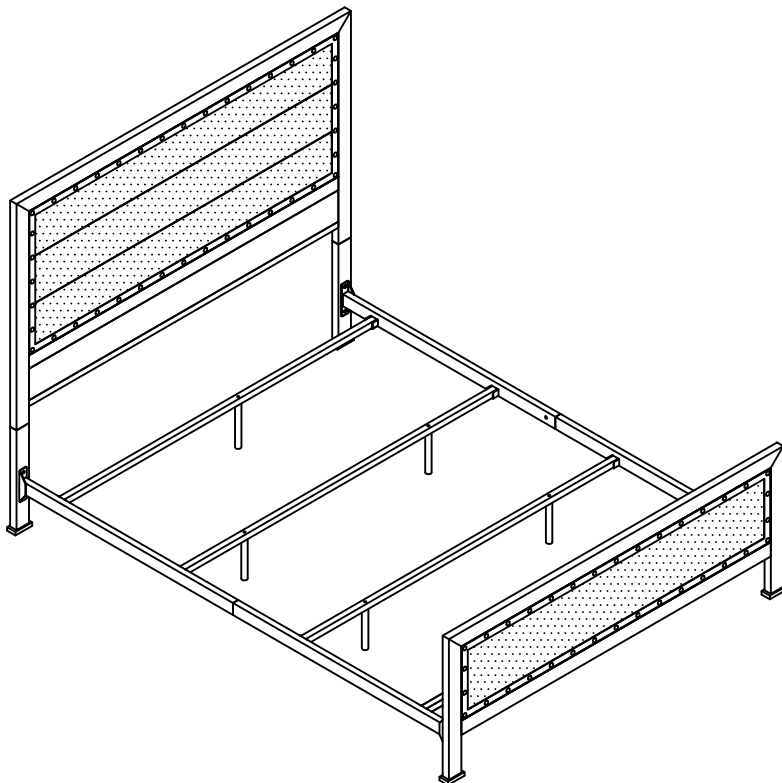
Secure legs (8) to mattress supports (5,6) using bolts (C) and washers (D).

Step 5



Place mattress supports into frame assembly and secure using bolts (B) and washers (D).

Step 6



Final Assembly