

STERLING®

A KOHLER COMPANY

ENSEMBLE™

Features

- Compression molded from our exclusive solid Vikrell® material
- Durable high-gloss finish
- Left or right drain
- 10-year consumer/3-year commercial limited warranty
- 60-1/4" (153 cm) x 30" (76.2 cm) X 5" (12.7 cm) receptor rough-in dimensions include nailing flange
- 60" (152.4 cm) X 30" (76.2 cm) X 4" (10.2 cm) unit finished dimensions

60" (152.4 cm) x 30" (76.2 cm)
SHOWER RECEPTOR

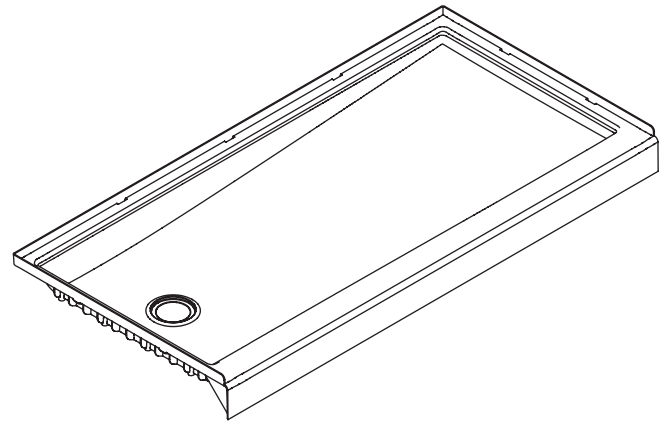
72141110
ALSO 72141120



Codes/Standards Applicable

Specified model meets or exceeds the following:

- ANSI Z124.1.2
- CSA B45
- ASTM E162
- ASTM E662



Colors/Finishes

- 0: White
- Other: Refer to Price Book for additional colors/finishes

Specified Model

Model	Description	Colors/Finishes	
		<input type="checkbox"/> 0	<input type="checkbox"/> Other _____
72141110	60" (152.4 cm) x 30" (76.2 cm) shower receptor, left drain	<input type="checkbox"/> 0	<input type="checkbox"/> Other _____
72141120	60" (152.4 cm) x 30" (76.2 cm) shower receptor, right drain	<input type="checkbox"/> 0	<input type="checkbox"/> Other _____

ENSEMBLE™

Technical Information

Basin area	Weight	Drain Outlet
56-1/2" (143.5 cm) x 24-5/16" (61.8 cm)	38 lbs (17 kg)	3-5/16" (8.4 cm) OD

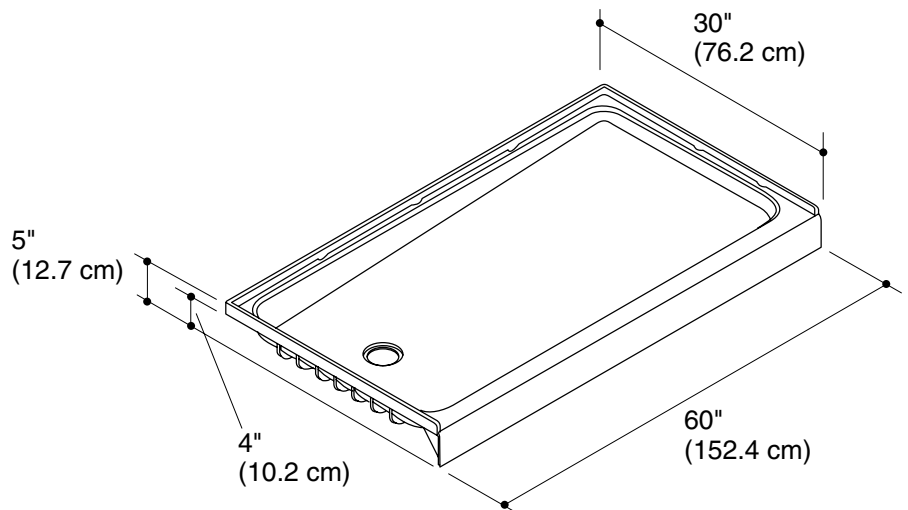
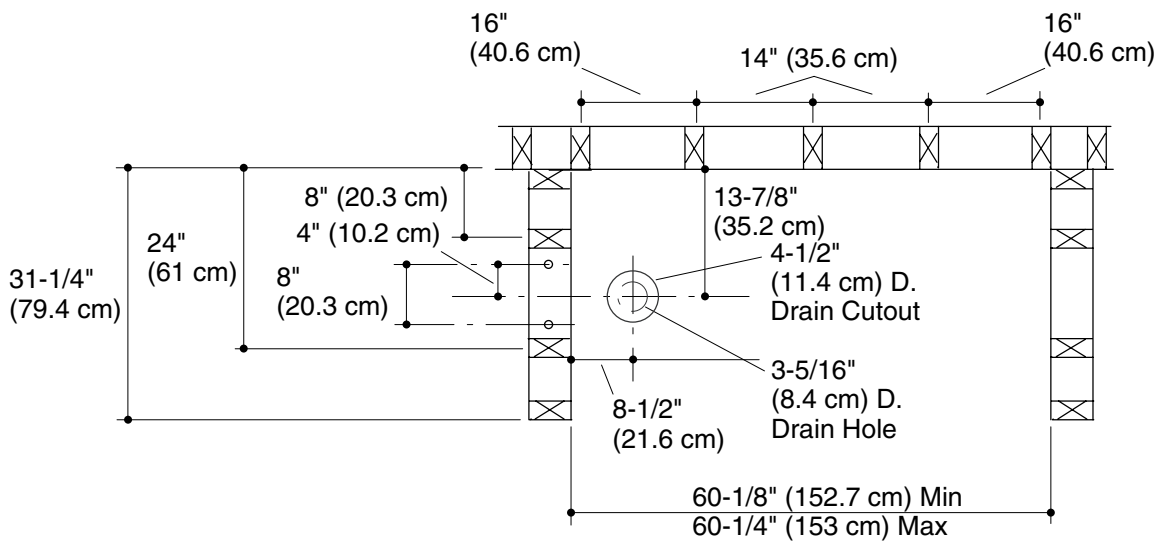
Installation Notes

Install this product according to the installation guide.

Size the drain cutout to fit the drain assembly that will be used.

Double studding is recommended for pivot shower door installations.

Studs should be positioned as shown.



Product Diagram

ENSEMBLE™ 60" (152.4 cm) x 30" (76.2 cm) SHOWER RECEPTOR

Page 2 of 2
1049440-4-C

STERLING
A KOHLER COMPANY