

2 Tier Bar Stool

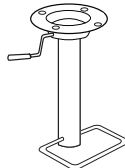
Part # BS-2TIER XX+XX

17-0626

PARTS



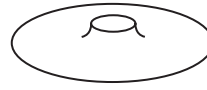
A



B



C



D



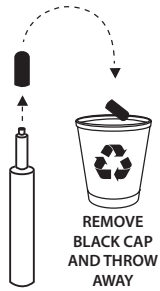
x4

E

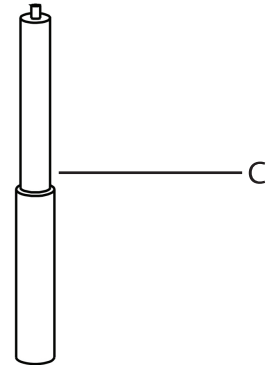


F

1



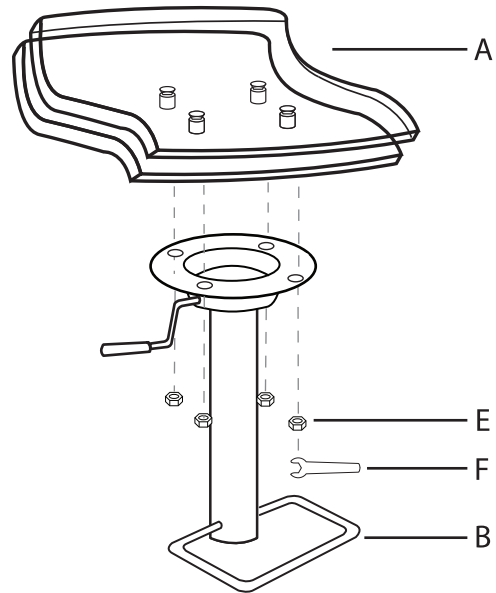
REMOVE
BLACK CAP
AND THROW
AWAY



C

D

2



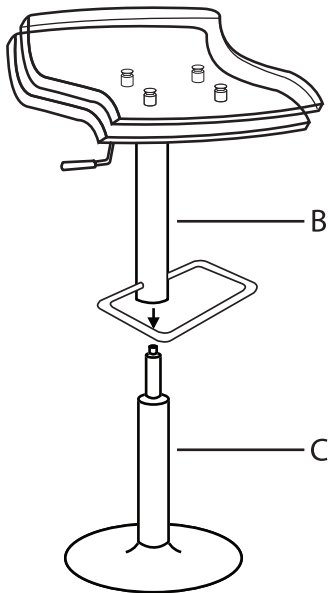
A

E

F

B

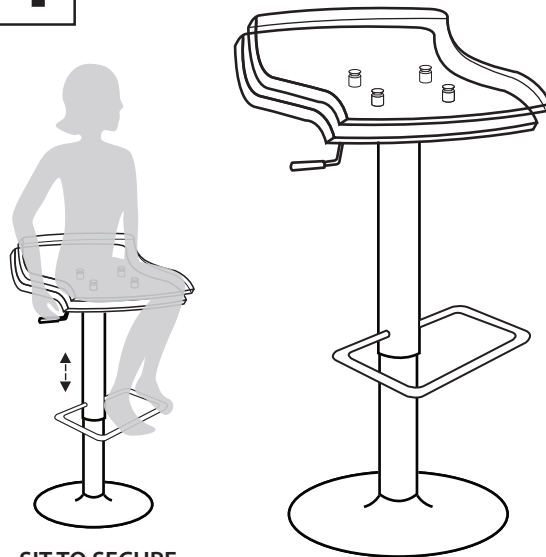
3



B

C

4



SIT TO SECURE



Do not over tighten.
Do not use power tools to assemble.

WARNING:

- DO NOT STAND ON OR USE THIS STOOL AS A STEP LADDER.
- THIS STOOL IS MEANT TO SEAT ONLY ONE PERSON AT A TIME
- ALL BOLTS, SCREWS, AND KNOBS MUST BE TIGHTLY SECURED, AND SHOULD BE CHECKED AT LEAST EVERY 4 MONTHS.
- IF PARTS ARE MISSING, BROKEN, DAMAGED OR WORN, THEN STOP USING THE PRODUCT UNTIL REPAIRS ARE MADE USING FACTORY AUTHORIZED PARTS.