



Item # 1002 087 013,
1002 656 432
Model # FTS70575,
FTS70575W

USE AND CARE GUIDE

42 IN. DIA PATIO DINING TABLE



Questions, problems, missing parts? Before returning to the store,
call Hampton Bay Customer Service.
8 a.m. - 7 p.m., EST, Monday - Friday, 9 a.m. - 6 p.m., EST, Saturday

1-855-HD-HAMPTON

HAMPTONBAY.COM

THANK YOU

We appreciate the trust and confidence you have placed in Hampton Bay through the purchase of this glass table. We strive to continually create quality products designed to enhance your home. Visit us online to see our full line of products available for your home improvement needs. Thank you for choosing Hampton Bay!

Table of Contents


Table of contents	2	Pre-assembly	3
Safety Information	2	Planning Assembly	3
Product Caution	2	Hardware Included	3
Safety Warnings	2	Package Contents	4
Warranty.....	2	Assembly	5
What is Covered	2	Care and Cleaning	8
What is Not Covered	2		


Safety Information

PRODUCT CAUTION


This table was made for the explicit purpose of providing outdoor functions and is not to be used as a toy. This product is not intended for inclement / severe weather in any form including, but not limited to: rain, hail, sleet, snow and / or wind. The manufacturer recommends storing and / or covering this table when formidable weather is approaching. Do not locate the product near open flames. Children under the age of 10, near the product, should be supervised by a competent adult at all times. This product is NOT intended for commercial use and will void the warranty.

SAFETY WARNINGS

 **WARNING:** Never use this product as a support. Do not shake, lean, or climb on the product at any time.

 **CAUTION:** Do not locate the product near any heat source.

 **WARNING:** Do not place heavy objects on the table top.

 **CAUTION:** When not in use, secure the product in a cool and covered location.

Warranty

2 YEAR LIMITED WARRANTY

WHAT IS COVERED

We warrant the frame to be free of manufacturing defects to the original purchaser for two years.

WHAT IS NOT COVERED

It remains the customer's responsibility for freight and packaging charges to and from our service center. This warranty does not cover commercial use, hardware, acts of nature, fire, freezing and abusive use. In addition, purchased parts are not covered under this warranty. We reserve the right to make substitutions with similar merchandise, if the model in question is no longer in production.

Contact the Customer Service Team at 1-855-HD-HAMPTON or visit www.HamptonBay.com.

Planning Assembly

PLANNING ASSEMBLY

Read all instructions before assembly.

To avoid damaging this product, assemble it on a soft, non-abrasive surface such as carpet or cardboard.



NOTE: More than one person may be required to assemble this product.

HARDWARE INCLUDED



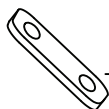
NOTE: Hardware not shown to actual size.



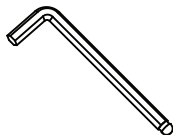
___ AA



___ BB



___ CC

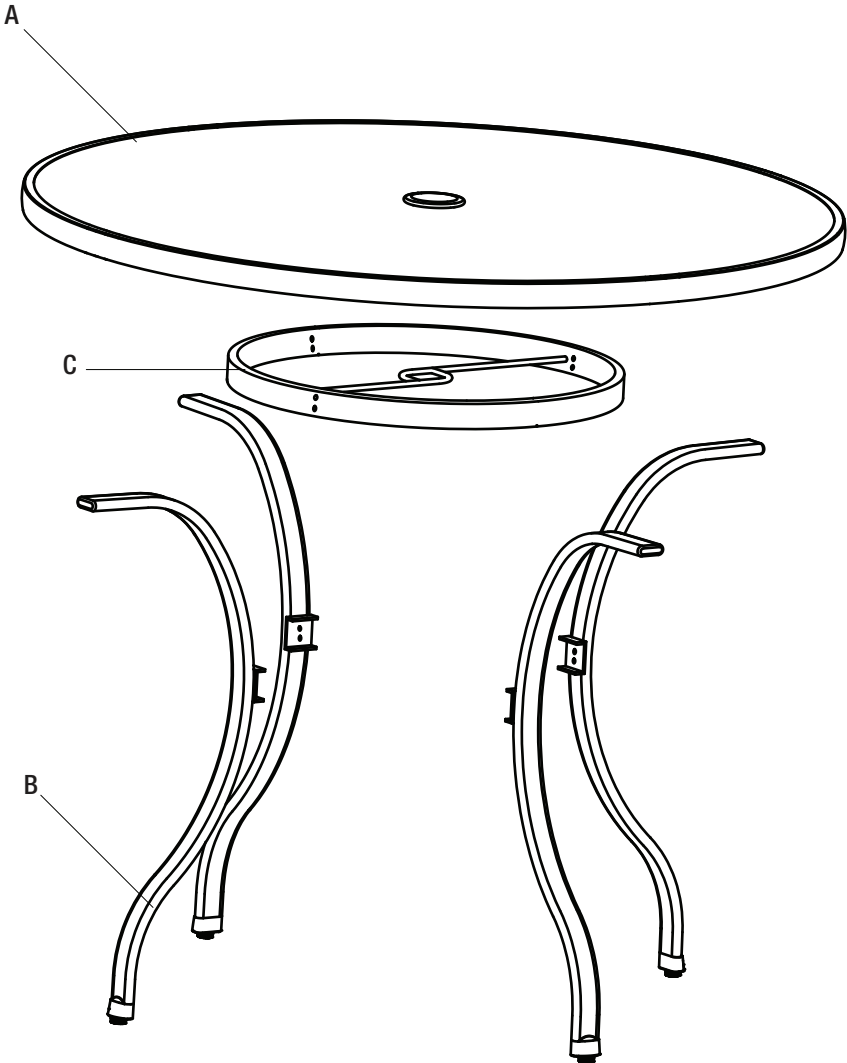


___ DD

Part	Description	Quantity
AA	M6x25 bolt	8+1
BB	ST5x12 bolt	4+1
CC	Steel washer	4
DD	Hex wrench	1

Pre-Assembly (continued)

PACKAGE CONTENTS

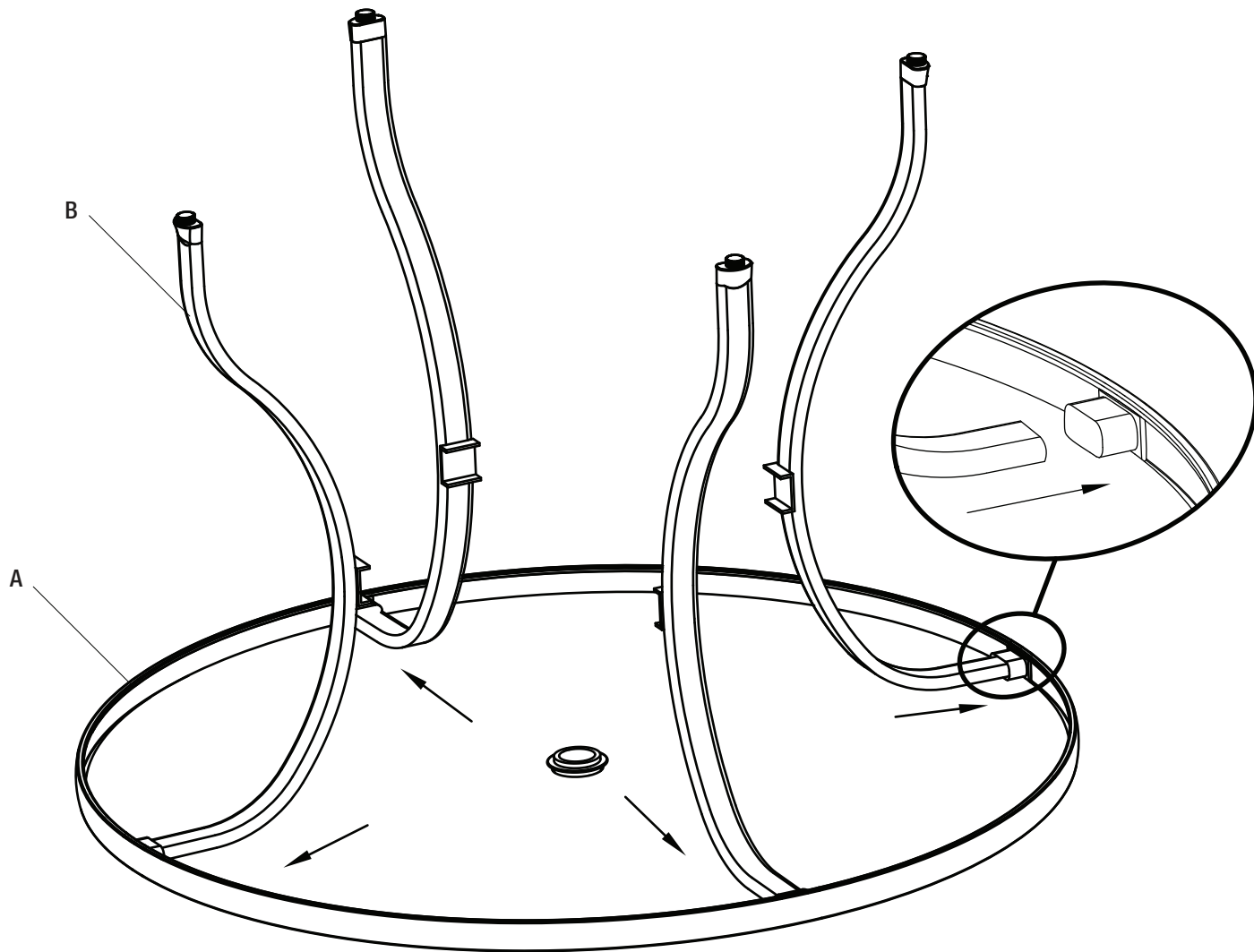


Part	Description	Quantity
A	Table top	1
B	Table leg	4
C	Leg connector	1

Assembly

1 Attaching the table legs to the table top

- Turn the table top (A) upside down on a soft surface.
- Slide the table legs (B) into the table top (A) as shown below.



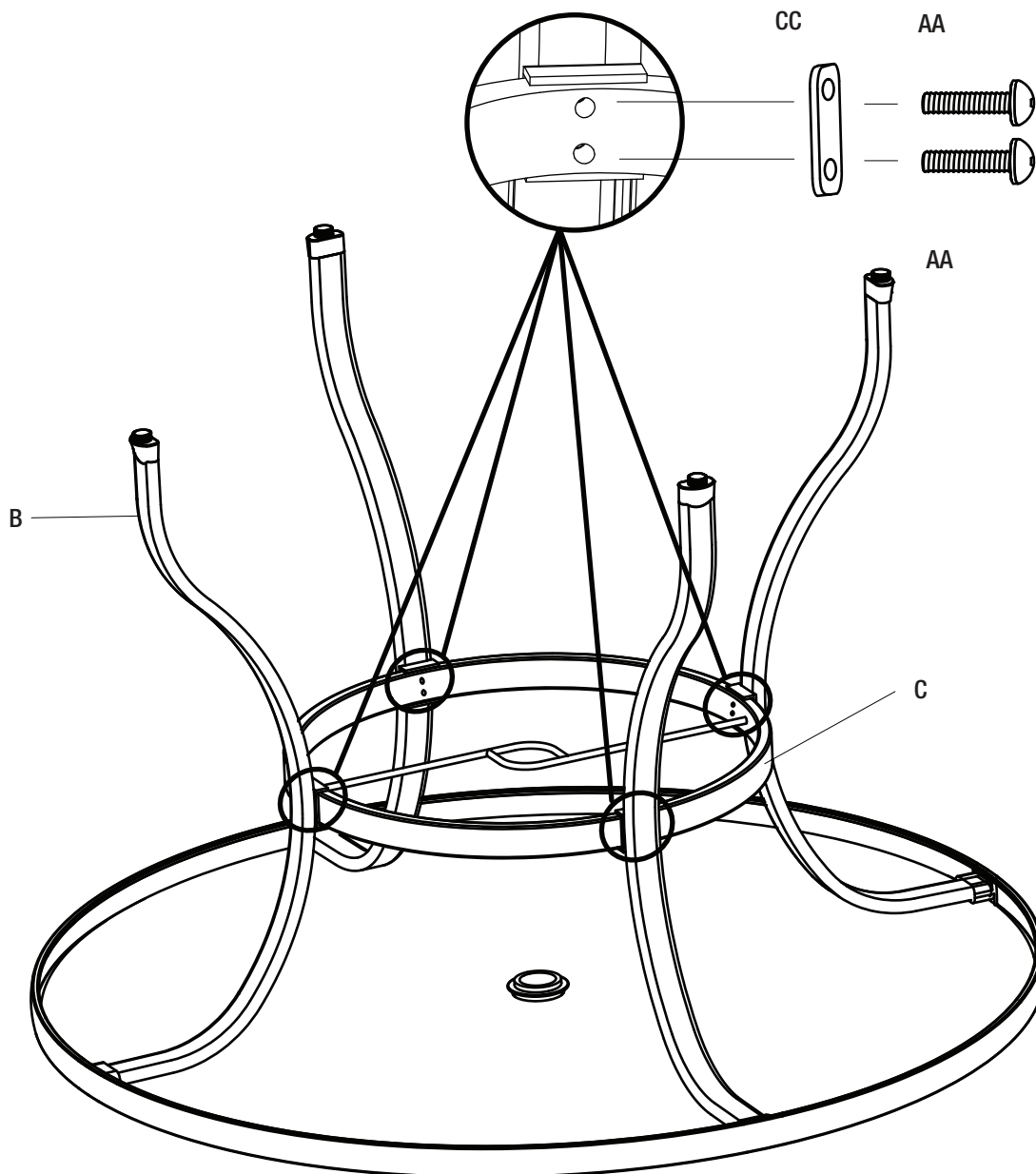
Assembly (continued)

2 Connecting the leg connector to the table legs

- Attach the leg connector (C) to the table legs (B) using M6x25 bolts (AA) and steel washers (CC).



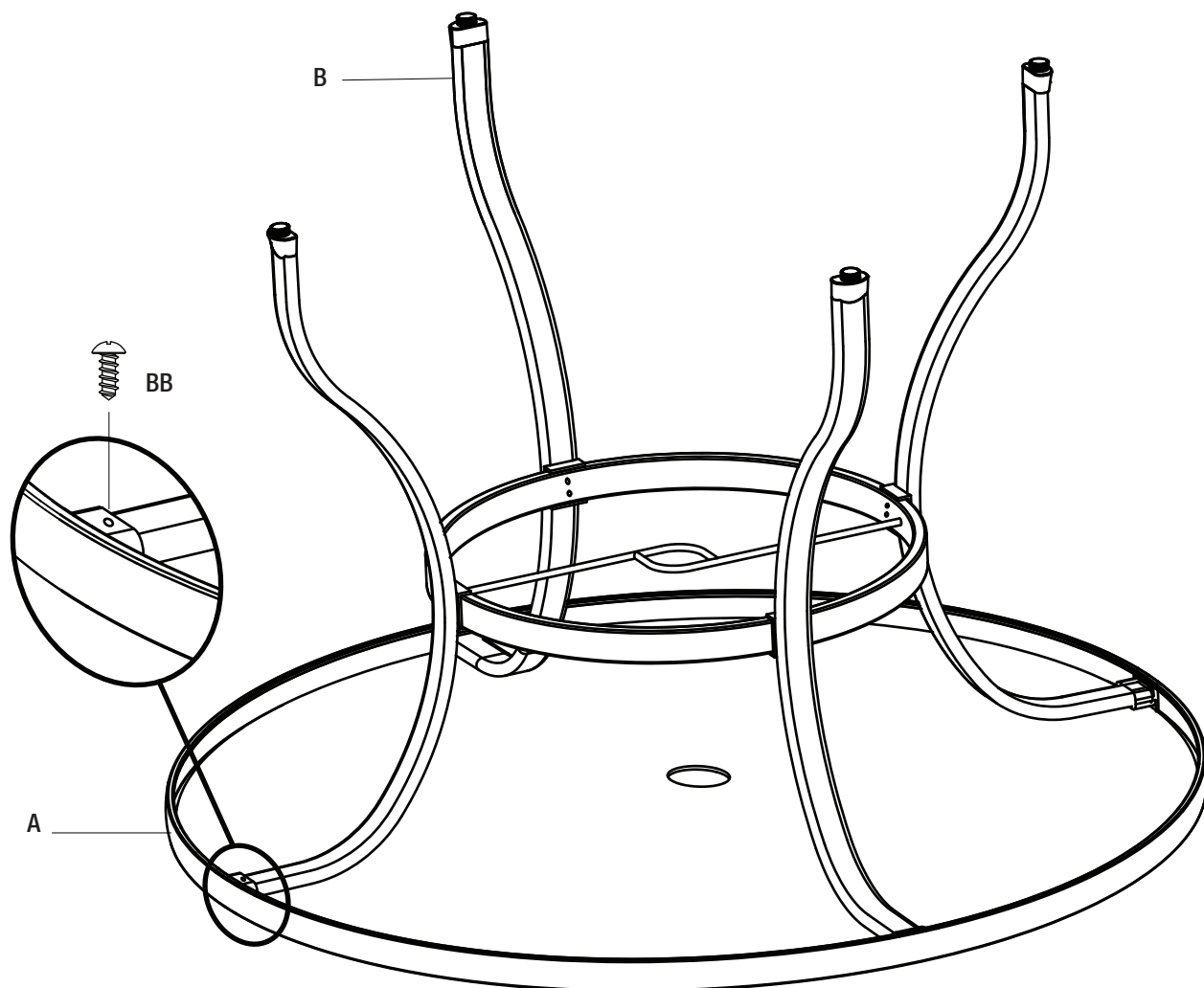
NOTE: Loosely tighten the bolts using the hex wrench (DD).



Assembly (continued)

3 Securing the table top and table legs

- Secure the table top (A) and table legs (B) by using ST5x12 bolts (BB).



Assembly (continued)

4 Checking the table

- Once all bolts are in place, fully tighten all the bolts.
- Turn the table right side up.
- Ensure all connections are secure before use.



Care and Cleaning

- For best results, clean the table with a damp cloth and dry thoroughly. This will help prevent mildew by removing dirt particles that may accumulate.
- Do not clean with abrasive materials, bleach, or solvents.
- Store the table in a dry, sheltered place when not in use.
- Keep the table away from fire, extreme heat, freezing conditions, and inclement weather such as rain, hail, sleet, snow, or wind.



Questions, problems, missing parts? Before returning to the store,
call Hampton Bay Customer Service.
8 a.m. - 7 p.m., EST, Monday - Friday, 9 a.m. - 6 p.m., EST, Saturday

1-855-HD-HAMPTON

HAMPTONBAY.COM

Retain this manual for future use.