

**DESCRIPTION:**

- Single acrylic handle lavator

MODEL	COLOUR
10-B41WYCH1B-Z	Chrome

**STANDARDS & CERTIFICATIONS:**

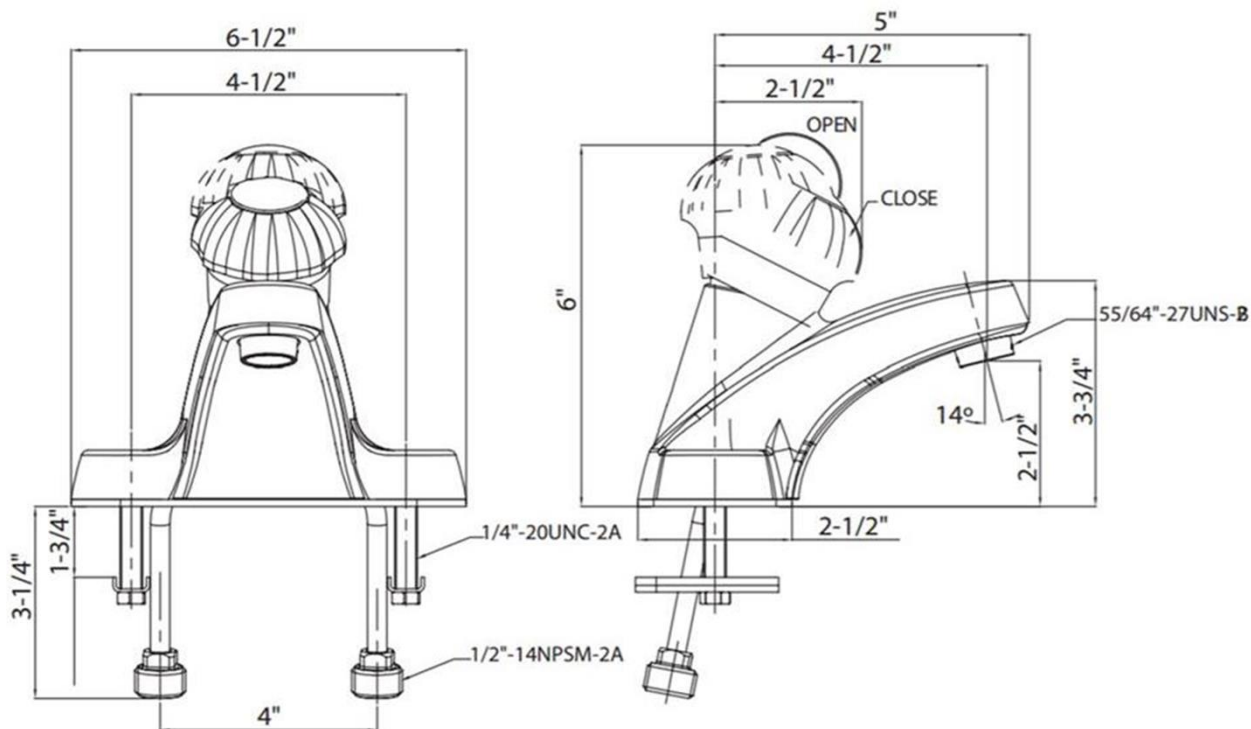
- ASME A112.18.1/CSA B125 Certified
- cUPC, NSF 61, Watersense, AB1953,
- This product contains less than 0.25% weighted average lead content on wetted surfaces.
- Max. Flow Rate: 1.5 GPM (5.68 LPM) at 60 PSI



**FEATURES:**

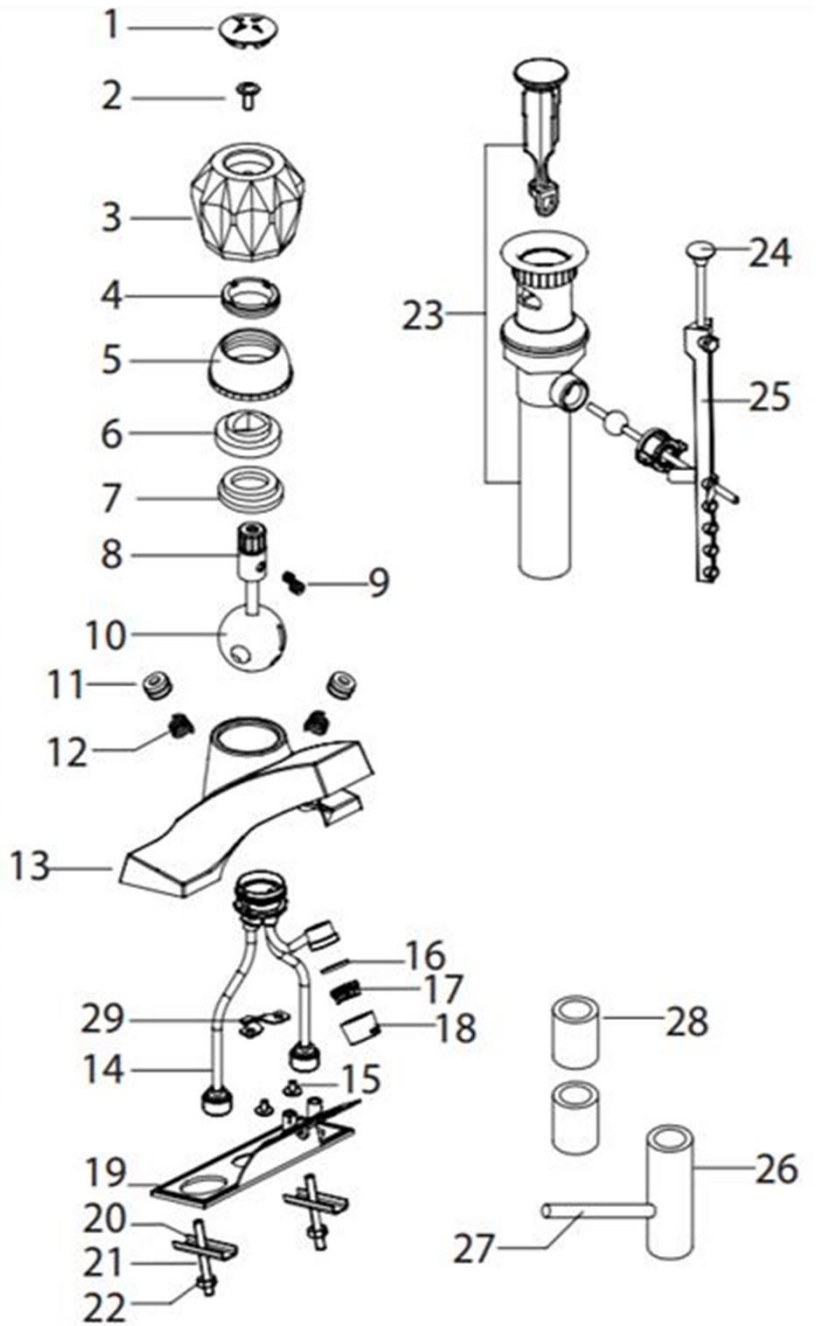
- 4" centerset
- Single acrylic handle
- Includes pop-up assembly
- Washerless cartridge
- Backed by Homewerks limited lifetime warranty

**MAJOR DIMENSIONS:**



# BOM

No.	Part Description	Material
1	Index	PMMA
2	Screw	SUS304
3	Handle	PMMA
4	Adjusting ring	Brass C37700
5	Cap	ZZnA14
6	Cam	POM
7	Cam packing	NBR+Teflon
8	Connector	ZZnA14
9	Set screw	SUS302
10	Cartridge	SUS302/304
11	Seat	NBR
12	Spring	SUS304
13	Escutcheon	ZZnA14
14	Body	C37700+LTN60-2+12200+SUS304
15	Screw	SUS302/304
16	Aerator assembly	EPDM E7008F
17		POM+SUS302
18		ABS PA727
19	Base plate	PP+20% CaCO <sub>3</sub>
20	Washer	Q235A
21	Bolt	Q235A
22	Mounting nut	Q235A
23	Pop-up	Hybrid (Major is ABS)
24	Lift rod assembly	Q235
25		ABS PA727
26	Ring	ABS PA727
27	Bar	Q235A
28	Adjusting ring	ABS PA727
29	Washer	Q235



Homewerks product dimensions provided in US or Metric measurements are approximate and are provided for reference only, Homewerks reserves the right to change or modify product design, construction, specifications, or materials without prior notice and without incurring any obligation to make such changes and modifications on Homewerks products previously or subsequently sold.



