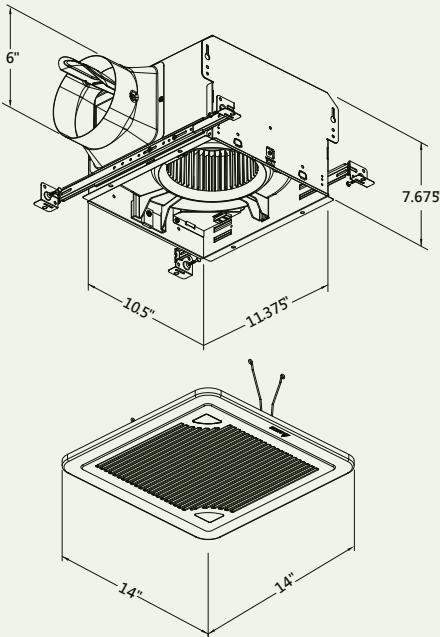




Delta BreezSmart Ventilation Single Speed Fan Specifications

SMT130
(130 CFM)

Dimensions



Description

Low noise ceiling mount ventilating fan rated for continuous running. Fan has been awarded ENERGY STAR® Most Efficient in 2013, is HVI, UL, and cUL certified, and can be used to comply with ASHRAE 62.2 (local and whole building continuous and intermittent operation), CA Title 24, and CALGreen requirements.

Motor/Blower

- Power rating of 120volts/60Hz
- DC brushless motor engineered to run continuously
- Motor equipped with thermal cutoff fuse
- Removable with permanently lubricated plug-in motor

Housing

- Galvanized steel body
- Detachable 6" diameter metal duct adapter
- Built-in backdraft damper
- Easy installation with expandable extension bracket

Grille

- Attractive design using ABS material
- Attaches directly to housing with torsion springs

Warranty

- 3-year limited warranty

Features

- For ceiling mount only, airflow of 130 CFM ($\pm 10\%$), and < 0.3 sones at $0.1''$ static pressure
- Power consumption approximately 11.6 Watts with an efficiency rating approximately 11.2 CFM/Watt at $0.1''$ static pressure
- UL and cUL listed for tub/shower enclosure when used with GFCI-protected branch circuit wiring

DC Motor Technology

- Built-in soft start function to increase bearings' life
- Automatically powers off when the impeller is locked abnormally

Specifications

SMT130	6" Duct (Standard)	
Static Pressure (Inches w.g.)	0.1	0.25
Air Flow (CFM)	130	124
Sones	< 0.3	0.7
Power Consumption (Watts)	11.6	20.0
Energy Efficiency (CFM/Watt)	11.2	6.2
Current (Amps)	0.44 Max	
Power Rating (V/Hz)	120/60	

Fan Curve

