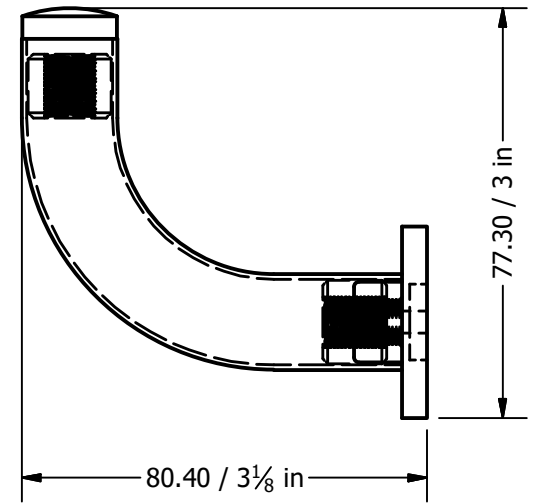
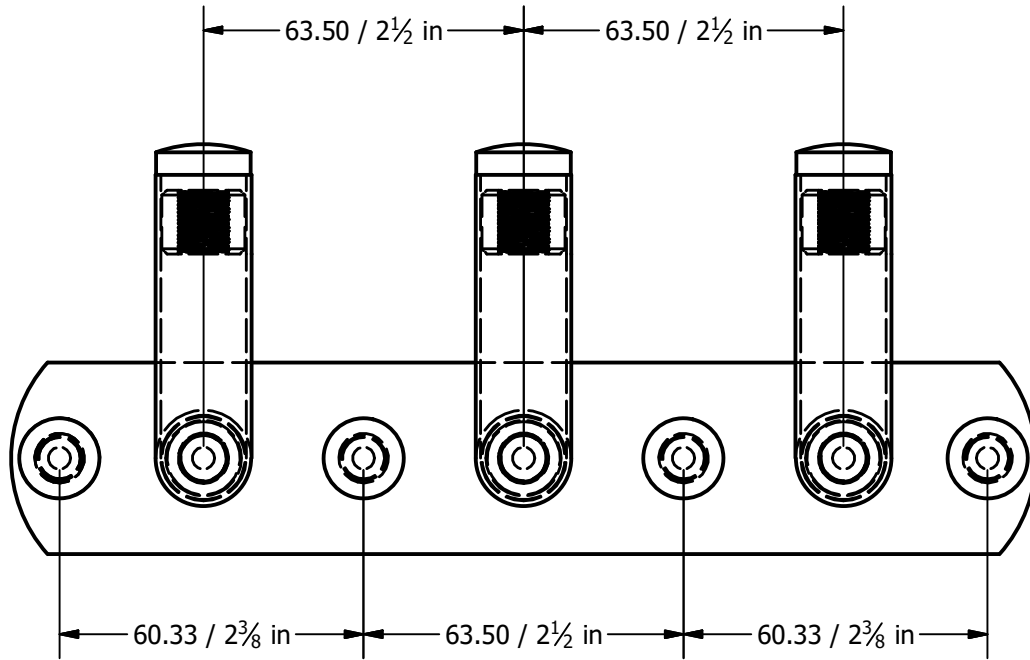
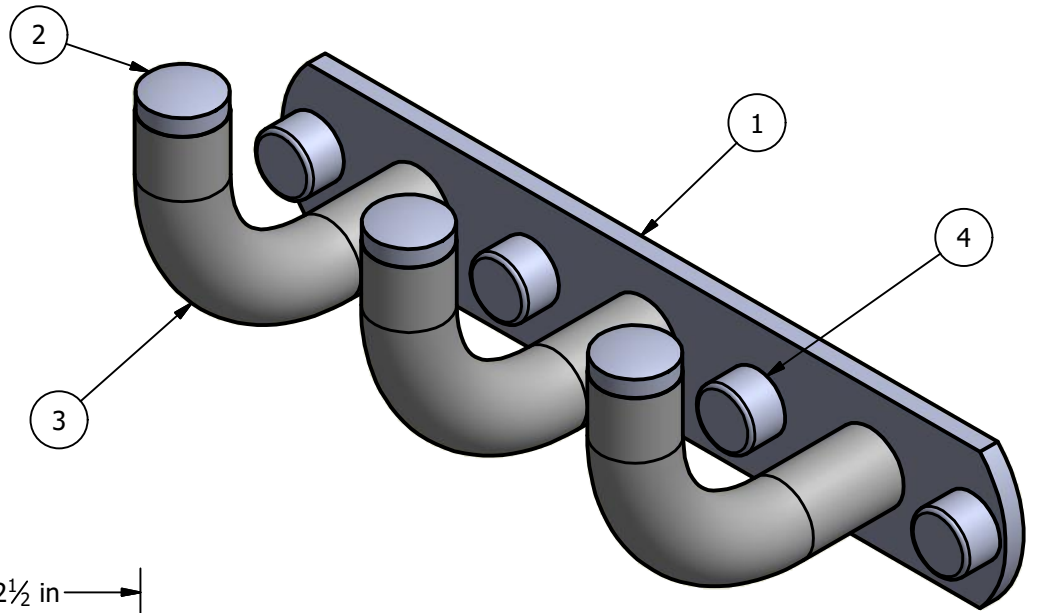



RM-20-3			
ITEM	QTY	PART NUMBER	DESCRIPTION
1	1	BPHK-8	TRIPLE HOOK PLATE
2	3	CARD-34	CAP
3	3	SWELB-3	POST
4	4	CARD-58	CAP



UNLESS OTHERWISE SPECIFIED	
.X	± .3mm
.XX	± .15mm
.XXX	± .008mm



THIRD ANGLE PROJECTION

DRAWN	2-28-18	IM	MATERIAL:	BRASS	FINISH	TBD		
CHECKED	2-28-18	P.D.	DESCRIPTION:		QTY	TBD		
APPROVED	2-28-18	R.A.	Remi Collection 3 Position Multi Hook		DRAWING NO.			
							RM-20-3 0 REV	
					SCALE	1:1	SHEET: 1 OF 1	A4

**APPROVED FOR PRODUCTION**  
 By: RICHARD PAUL  
 Date: 2-28-18