



**SPAREHAND® Paddlesports**

3 kayak storage

Model: TF-507

v1.4

**Caution – Failure to follow these guidelines can result in property damage or personal injury.**

- Parts are not labeled. Before assembly, please identify each part according to the descriptions and diagrams below.
- Do not use if the product or any parts is defective.
- Do not tilt or lift the storage rack.
- Do not drop kayak or any object on the rack. Place objects carefully and slowly.
- Do not step, stand, or climb on the storage unit.
- Do not use if loads are not balanced and / or cannot be used on level and secure ground. Always make sure the rack will not tip over. Secure the rack to the wall or floor if necessary.
- Kayak must be placed sideways (horizontally) on cradles. Faces outward and with the upper side lean against vertical posts. Do not place kayak flat on the cradles.
- Place kayak flat on top cradle. Make sure product is properly positioned.
- Always make sure heavier loads are at the bottom and never place your kayak on upper rack position with the bottom rack empty. Top-heavy loads are dangerous.
- Use only if you determine the rack can be used safely.
- The manufacture and its agents are not responsible for any damages or injuries caused by the use or misuse of the product.
- This rack is intended for indoor use. This rack may also be used outdoors under certain weather and climate conditions with proper care and protection only.
- Please follow the instructions and observe weight and size limits. Upper level: 50 Lbs and 12 feet length maximum load. Base level: 80 Lbs and 18 feet product length maximum load. Load and size limits are per pair of cradles. Total maximum capacity: 200 Lbs.
- When moving the storage rack, remove all objects from the rack.
- Warranty: 1 year Limited Manufacture's Warranty.
- For technical support or questions regarding this product, please contact 626-338-8998. PST 9:00 AM to 3:00 PM.

**This product may be used for Kayak, Paddleboard (SUP), Surfboard, Cargo Boxes, Canoe, and other similar devices.**

Please check our website for instruction manual updates

© Sparehand Systems, 2018. All rights reserved. Made in China

**SPAREHAND® Systems, USA**  
[www.SparehandSystems.com](http://www.SparehandSystems.com)

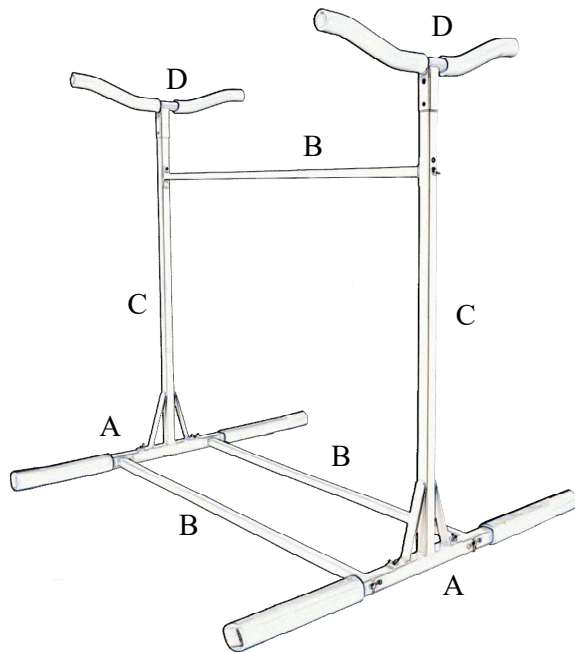
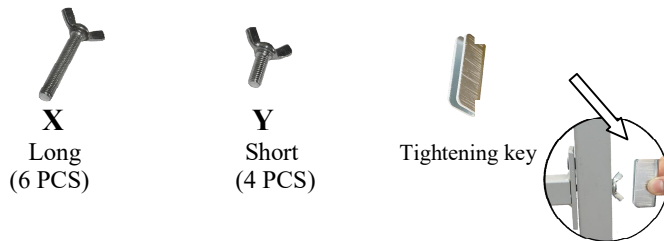
Tel: 626-338-8998  
[info@SparehandSystems.com](mailto:info@SparehandSystems.com)

## Parts List TF-507 Kayak Rack

The following parts are required for TF-507 Kayak Rack

- A. Base (2 PCS)
- B. Cross Beam (3 PCS)
- C. Vertical Post (2 PCS)
- D. Top Cradle (2 PCS)

### Hardware:



### Installation Procedure:

- Step 1. Assemble Part (A) onto Part (B) using bolt (X).
- Step 2. Assemble Part (C) to Part (A) using bolt (Y).
- Step 3. Connect part (B) on to part (C) with bolt (X).
- Step 4. Insert Part D at the top of Part (C). Click to lock.

**NOTE: Use Tightening Key to tighten and secure all bolts**

**Make sure all nuts and bolts are tightened**

\*\*Caster Wheels (part number C-4) sold separately, can be installed on this system.

