

TOILET SUPPLY KIT

Cat. No.
I309



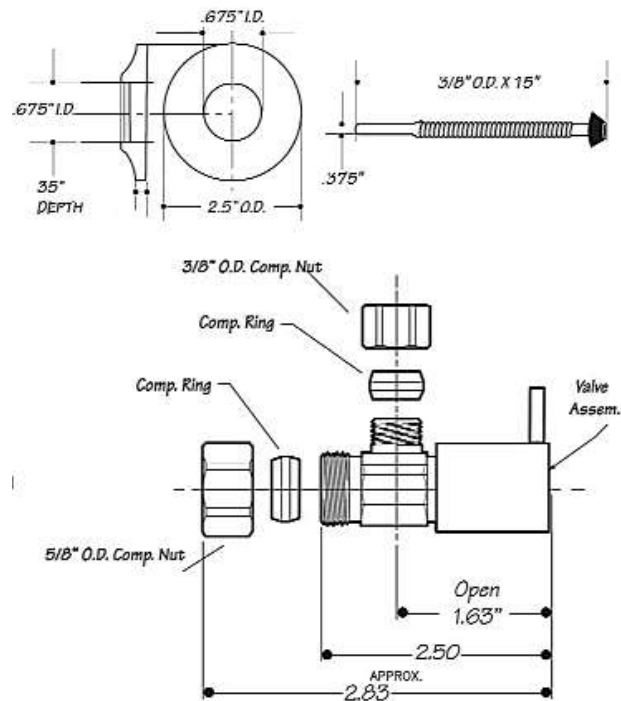
Features:

- ▶ Includes 1 angle valve
- ▶ Lever handle
- ▶ 5/8" O.D. 1/2" compression inlet
- ▶ 3/8" O.D. compression outlet
- ▶ 1/4 turn ceramic disc cartridge
- ▶ Flat sure-grip brass flange included
- ▶ Includes 3/8" x 15" corrugated supply tube
- ▶ Available in 4 Finishes

Finishes:

CP Polished Chrome
BN Brushed Nickel

PN Polished Nickel
ORB Oil Rubbed Bronze



Dimensions and specifications subject to change without notice.