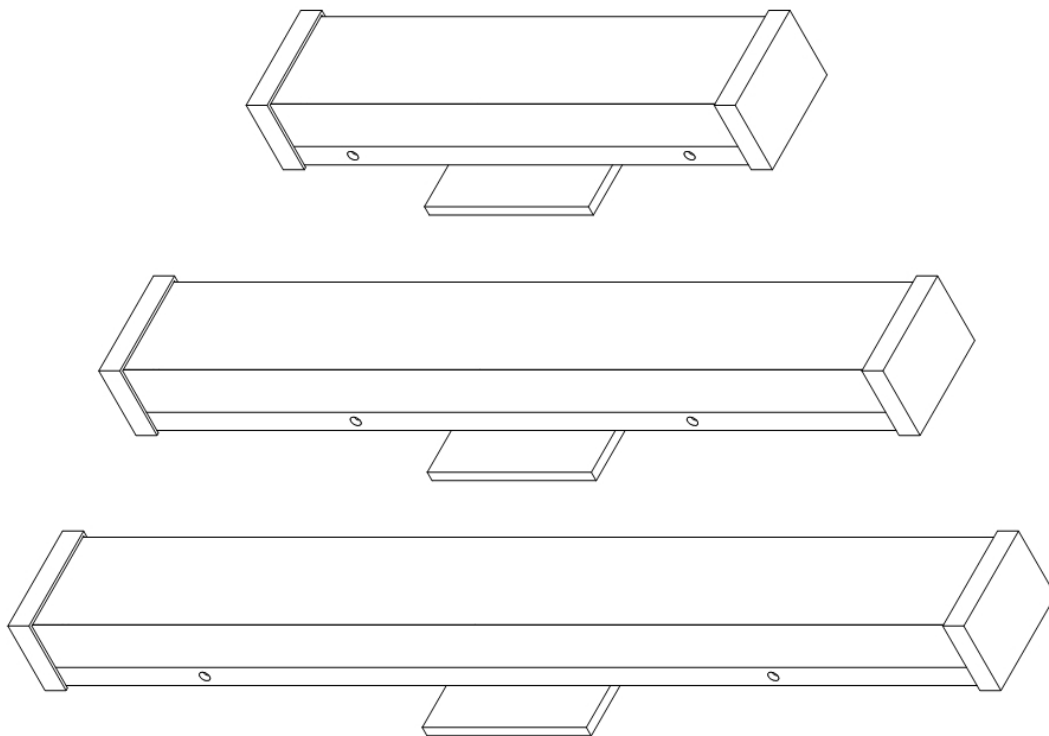




Item #
70021/70022/70023

USE AND CARE GUIDE

LED BATH VANITY



Questions, problems, missing parts? Before returning to the store,
call Madison Avenue's Customer Service
8 a.m. – 7 p.m., EST, Monday – Friday, 9 a.m. – 6 p.m., EST, Saturday

1-800-527-0998

HOMEDEPOT.COM/MADISON AVNUE'S

THANK YOU

We appreciate the trust and confidence you have placed in Madison Avenue's the purchase of this LED Bath Vanity. We strive to continually create quality products designed to enhance your home. Visit us online to see our full line of products available for your home improvement needs. Thank you for choosing Madison Avenue's!

Table of Contents

Table of Contents.....	2	Installation (For junction box).....	5
Safety Information.....	2	Installation (For junction box).....	6
Limited Warranty.....	2	Installation (For switch box).....	7
What is Covered.....	2	Installation (For switch box).....	8
What is Not Covered.....	2	Maintenance.....	10
Pre-installation.....	3	Care and Cleaning.....	10
Tools required.....	3	Troubleshooting.....	10
Hardware Included.....	3	Service Parts.....	11
Pre-installation.....	4	Model Type.....	11
Package Contents.....	4		

Safety Information

Before you begin, make sure you carefully read and understand the instructions in this manual. Please follow the instructions in the order presented in this manual and observe all warnings and cautions.



WARNING: CONSULT A QUALIFIED ELECTRICIAN IF YOU HAVE ANY ELECTRICAL QUESTIONS.



WARNING: Before beginning installation, turn off electricity at the circuit junction box or the main fuse box.



CAUTION:

1. Dimmable with ELV and/or LED compatible wall dimmer switches.
2. Keep your receipt and these Instructions for Proof of Purchase.
3. Before starting installation of this fixture or removal of a previous fixture, disconnect the power by turning off the circuit breaker or by removing the fuse at the fuse box.

Limited Warranty

WHAT IS COVERED

The manufacturer warrants this lighting fixture to be free from defects in materials for a period of three (3) years from date of purchase. This warranty applies only to the original consumer purchaser and only to products used in normal use and service. If this product is defective, the manufacturer's only obligation, and your exclusive remedy, is the repair or replacement of the product at the manufacturer's discretion, as long as the product is not damaged through misuse, abuse, accident, modifications, alterations, neglect or mishandling. This warranty shall not apply to any product found to have improper installation, set-up, or used in any way not in accordance with the instructions supplied with the product. This warranty shall not apply to a failure of the product resulting from an accident, misuse, abuse, negligence, alteration, or faulty installation, or any other failure not relating to faulty material or workmanship. This warranty shall not apply to the finish on any portion of the product, such as surface and/or weathering, this is normal wear and tear of the product.

WHAT IS NOT COVERED

The manufacturer does not warrant and specially disclaims any warranty, whether express or implied, of fitness for a particular purpose, other than the warranty contained herein. The manufacturer specifically disclaims any liability and shall not be liable for any consequential or incidental loss or damage, including but not limited to any labor / expense costs involved in the replacement or repair of said product.

Contact the Customer Service Team at 1-800-527-0998 or visit www.HomeDepot.com/MadisonAvenue's.

Pre-installation

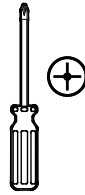
TOOLS REQUIRED



Electrical tape



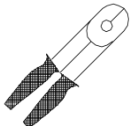
Safety goggles



Phillips screwdriver



Flathead screwdriver



Wire strippers



Wire cutters

HARDWARE INCLUDED



AA



BB



CC



DD



EE



FF



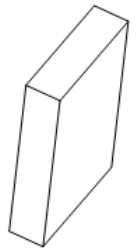
GG



HH



II

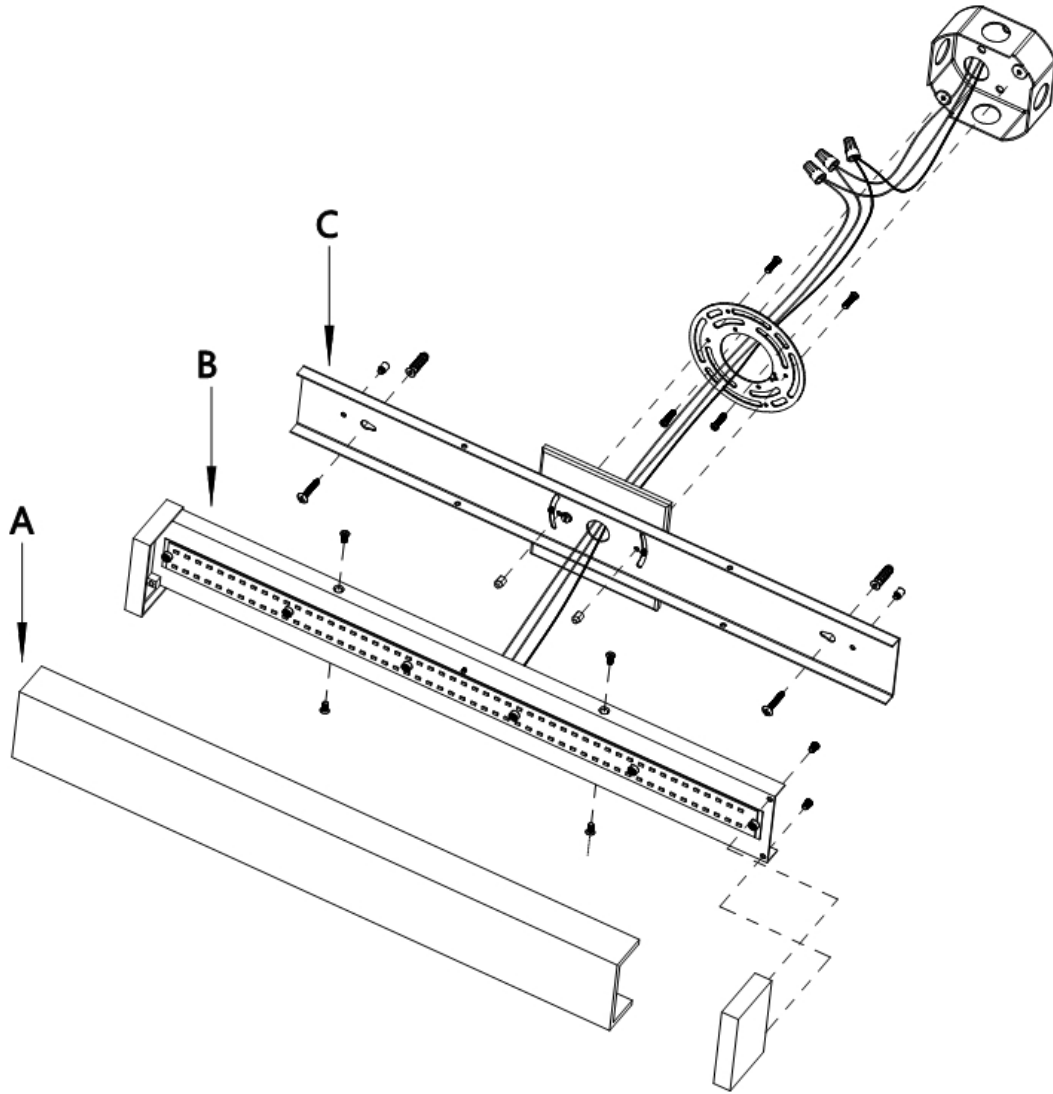


JJ

Part	Description	Quantity		
		70021	70022	70023
AA	Screws	4pcs	4pcs	4pcs
BB	Screws	2pcs	2pcs	2pcs
CC	Screws	4pcs	4pcs	4pcs
DD	Wood Screw	2pcs	2pcs	2pcs
EE	Mounting Anchor	2pcs	2pcs	2pcs
FF	Underprop	2pcs	2pcs	2pcs
GG	Nut	2pcs	2pcs	2pcs
HH	Wire Connector	3pcs	3pcs	3pcs
II	Circular Strap	1pc	1pc	1pc
JJ	Glass holder	1pc	1pc	1pc

Pre-installation

PACKAGE CONTENTS

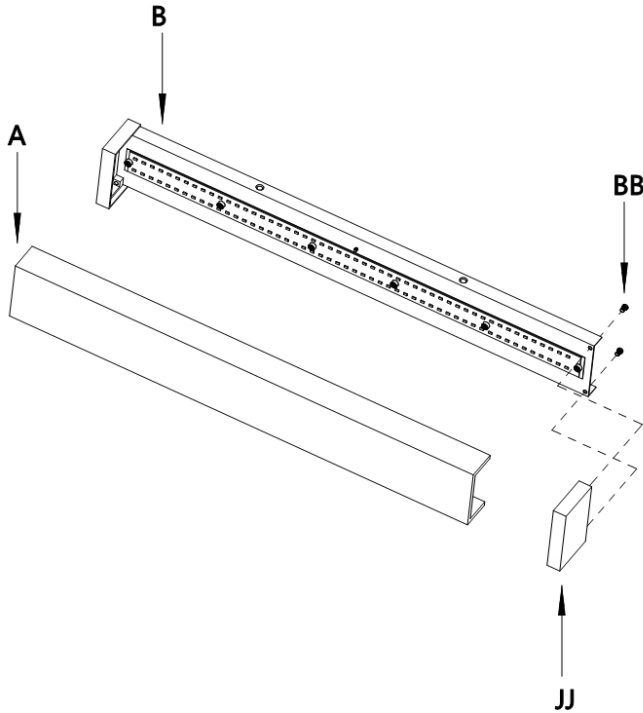


Part	Description	Quantity		
		70021	70022	70023
A	Glass Shade	1pc	1pc	1pc
B	Fixture Back Plate	1pc	1pc	1pc
C	Mounting Plate	1pc	1pc	1pc

Installation (For junction box)

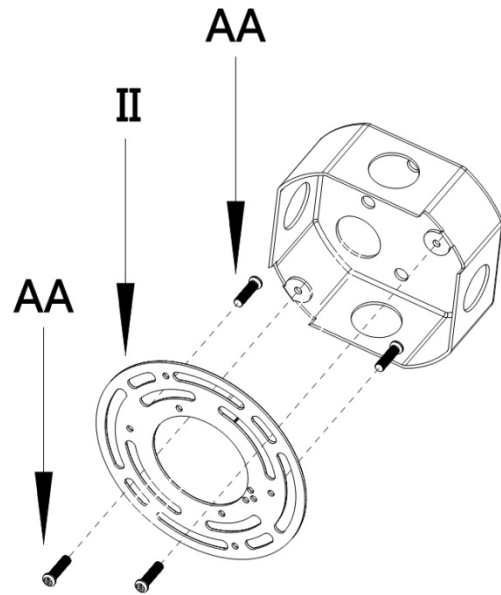
1 Installing Glass holder and glass shade

- Place the glass (A) on the fixture back plate (B) against the locked glass holder (JJ).
- Place another glass holder (JJ) and tighten it by screw (BB).



2 Installing circular strap

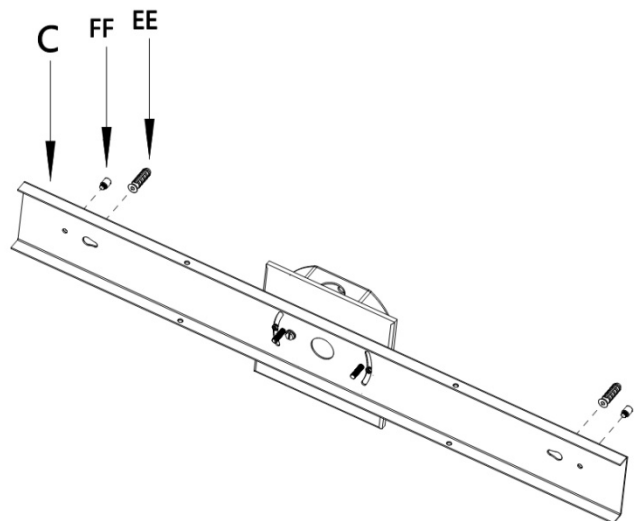
- Pre-secure 2 screws (AA) spaced same distance as the holes on the mounting plate (c) on the circular strap (II) direct from junction box inside.
- Secure the circular strap (II) to the junction box using screws (AA).



WARNING: Shut off the power at main circuit breaker.

3 Installing mounting anchor

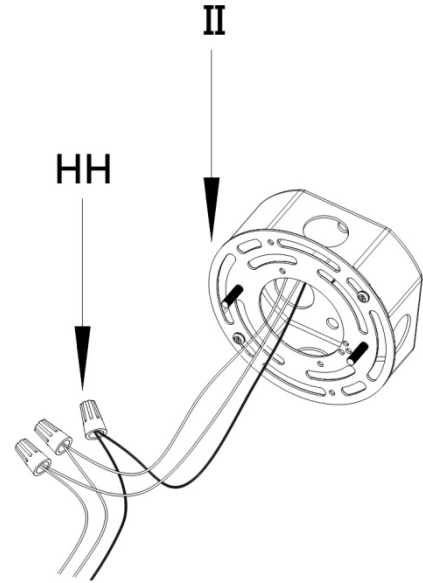
- Installing two pieces underprop (FF) on the back of mounting plate (C). Installing the underprop (FF) to make sure the fixture won't be waggled by force on the wall.
- Drill holes in the wall aligned with the key-hole location in the mounting plate (C). Insert the mounting anchors (EE).



Installation (For junction box)

4 Wire Connection

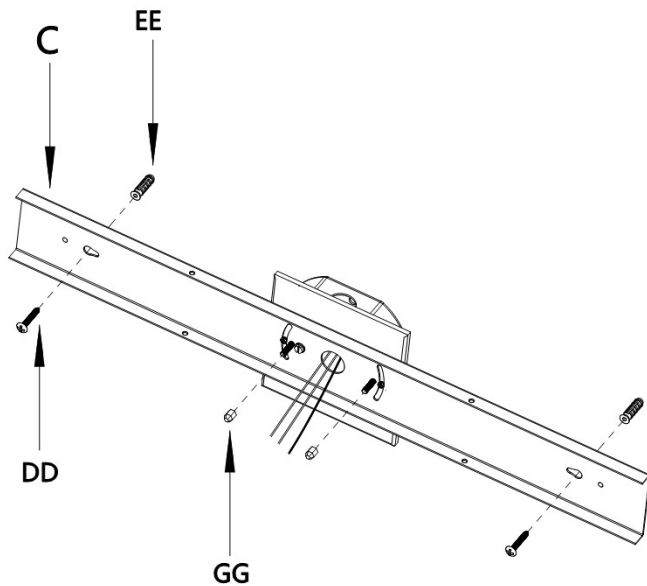
- Hold the fixture body and mounting plate (C), pass the wires through the hole of the mounting plate (C).
- Connect both white wires by wire connector (HH) together and both black wires by wire connector (HH) together.
- Connect both ground wires (green wire or bare wire) together by wire connector (HH), if there is a ground wire in the junction box. Otherwise, connect the copper wire from fixture to ground screw on the mounting plate (C).



NOTE: If you have electrical questions, consult your local electrical code for approved grounding methods.

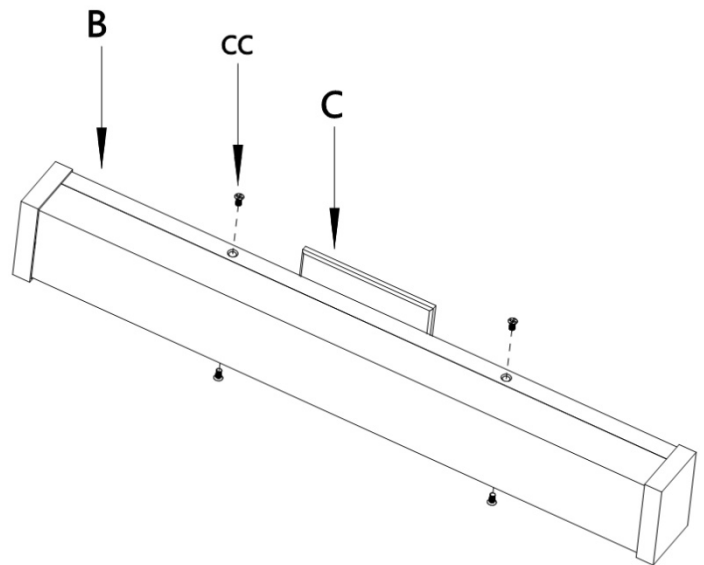
5 Installing the mounting plate

- Place mounting plate (C) over the circular strap (II) and tighten it by nut (GG).
- Fasten the wood screws (DD) into the mounting anchors (EE). Tighten the mounting plate (C) on the wall.



6 Mounting the fixture

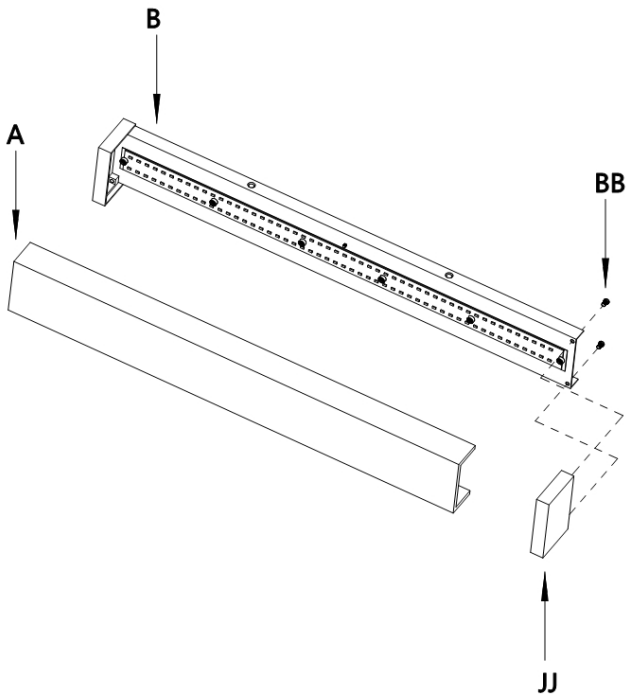
- Place fixture plate (B) over the mounting plate (C) and tighten it by screw (CC).



Installation (For switch box)

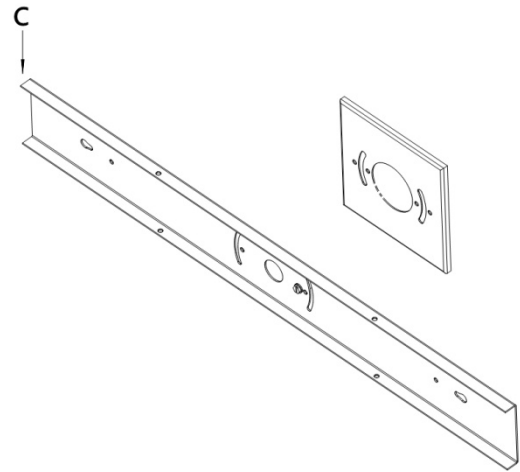
1 Installing Glass holder and glass shade

- Place the glass (A) on the fixture back plate (B) against the locked glass holder (JJ).
- Place another glass holder (JJ) and tighten it by screw (BB).



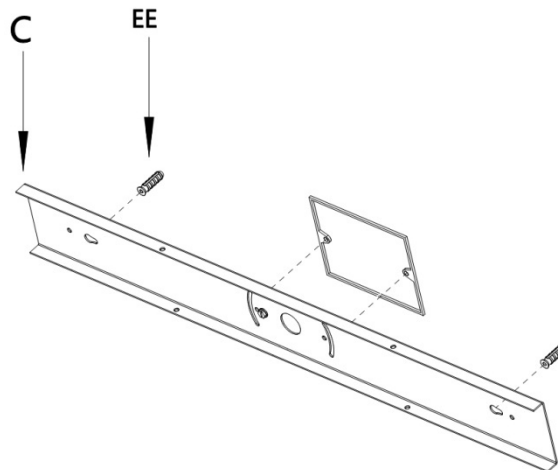
2 Separate mounting plate

- Takes the two screws on the mounting plate (C) to separate mounting plate (C) and conversation plate.



3 Insert mounting anchor


- Drill holes in the wall aligned with the key-hole location in the mounting plate (C). Insert the mounting anchors (EE).

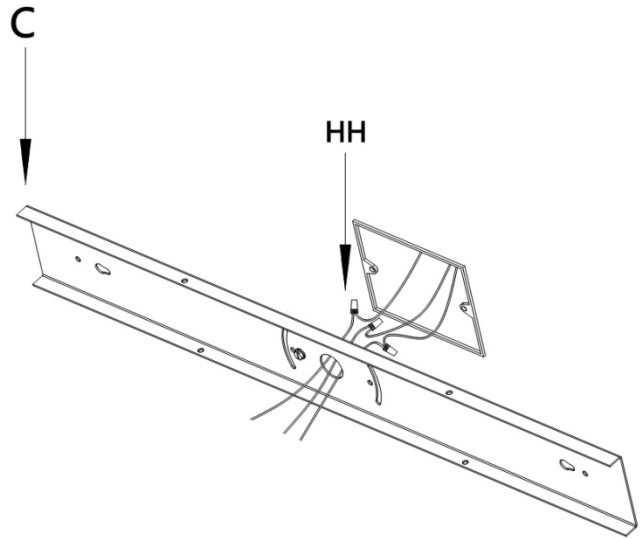


Installation (For switch box)

4 Wire Connection

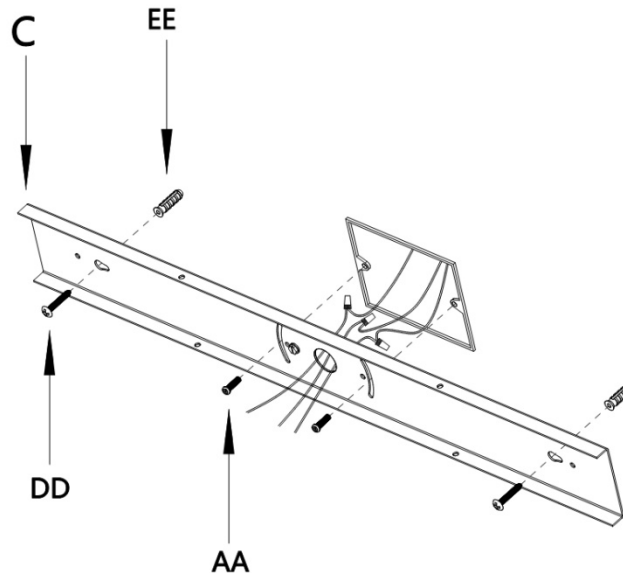
- Hold the fixture body and mounting plate (C), pass the wires through the hole of the mounting plate (C).
- Connect both white wires by wire connector (HH) together and both black wires by wire connector (HH) together.
- Connect both ground wires (green wire or bare wire) together by wire connector (HH), if there is a ground wire in the junction box. Otherwise, connect the copper wire from fixture to ground screw on the mounting plate (C).

 **WARNING:** Shut off the power at main circuit breaker.



5 Installing mounting plate

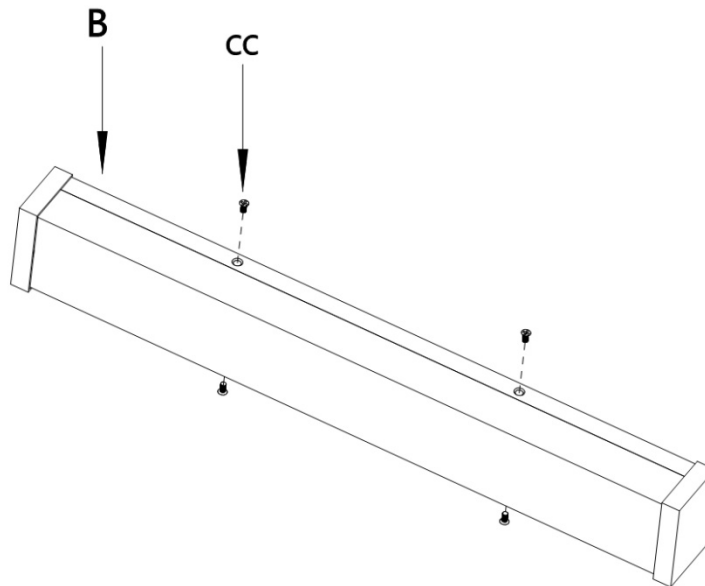
- Secure the mounting plate (C) to the switch box using screws (AA).
- Fasten the wood screws (DD) into the mounting anchors (EE). Tighten the mounting plate (C) on the wall.



Installation (For switch box)

6 Mounting the fixture

- Place fixture plate (B) over the mounting plate (C) and tighten it by screw (CC).



Maintenance

- Do not use any cleaners with chemicals, solvents or harsh abrasives. Use only a dry soft cloth to dust or wipe carefully.

Care and Cleaning

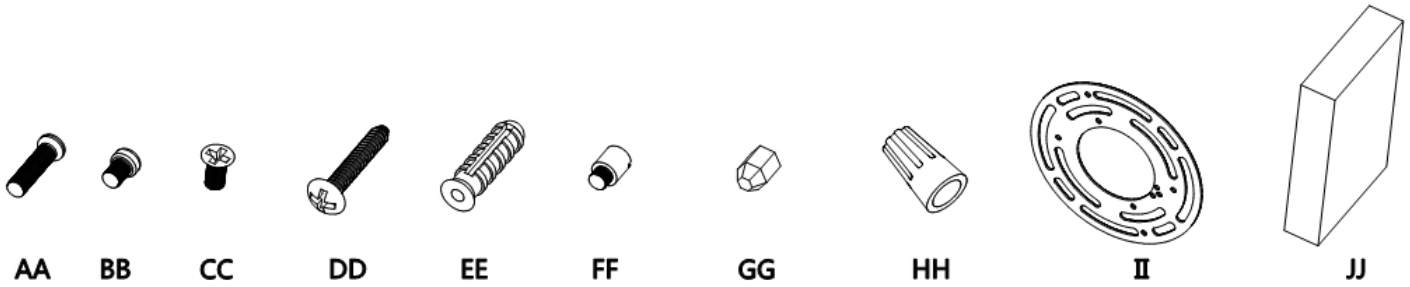
- To clean the outside of the fixture, use a dry or slightly dampened clean cloth (use clean water, never use solvent) to wipe the glass and surface of the fixture.

Troubleshooting

	Possible Cause	Corrective Action
The fixture does not light.	1. The LED is burned out.	1. Replace the fixture.
	2. The power is off.	2. Make sure the power supply turns on.
	3. Faulty wire connection.	3. Check wiring.
	4. Faulty switch.	4. Test or replace the switch.

Service Parts

MODEL TYPE



Part	Description	Quantity		
		70021	70022	70023
AA	Screws	4pcs	4pcs	4pcs
BB	Screws	2pcs	2pcs	2pcs
CC	Screws	4pcs	4pcs	4pcs
DD	Wood Screw	2pcs	2pcs	2pcs
EE	Mounting Anchor	2pcs	2pcs	2pcs
FF	Underprop	2pcs	2pcs	2pcs
GG	Nut	2pcs	2pcs	2pcs
HH	Wire Connector	3pcs	3pcs	3pcs
II	Circular Strap	1pc	1pc	1pc
JJ	Glass holder	1pc	1pc	1pc



Questions, problems, missing parts? Before returning to the store,
call Madison Avenue's Customer Service
8 a.m. – 7 p.m., EST, Monday – Friday, 9 a.m. – 6 p.m., EST, Saturday

1-800-527-0998

[HOMEDEPOT.COM/MADISON AVNUE'S](http://HOMEDEPOT.COM/MADISON_AVNUE'S)

Retain this manual for future use.