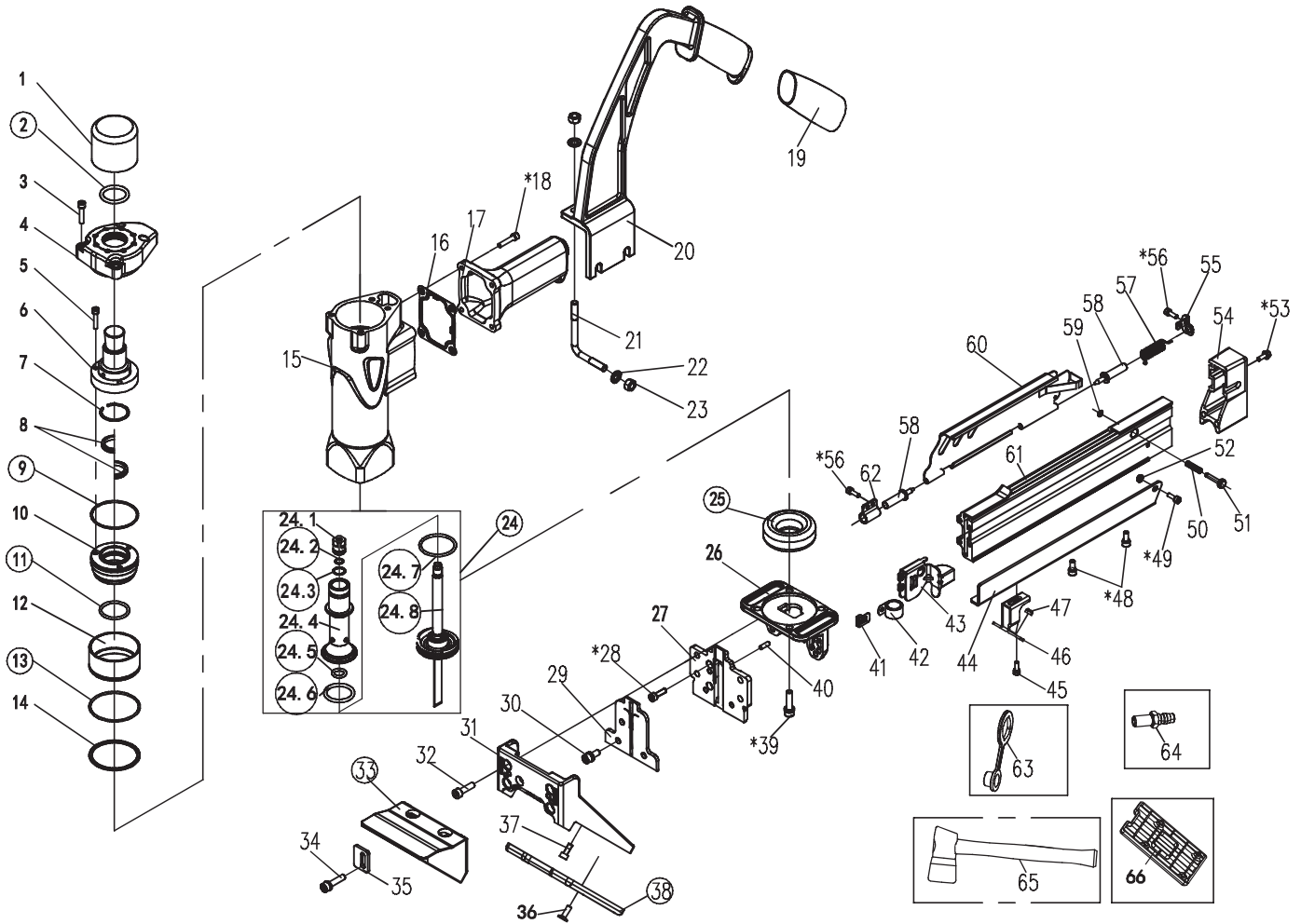


Diagram for all nailer models with a serial number beginning with **NU**



REPLACEMENT KIT

Kit Model	Kit Description	Part No.
	Replacement O-ring kit	2,9,11,13
	Replacement drive blade and bumper kit	24,25
	Replacement 3/4 base plate	38
	Replacement 5/8 & 9/16 base plate	66
	Replacement no mar foot	33