







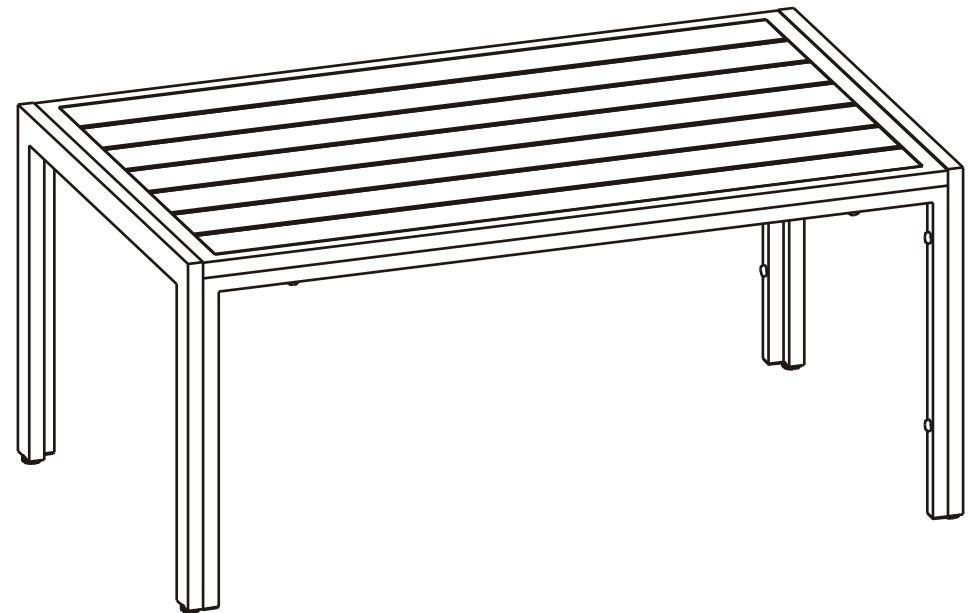


BLACK STEEL SLAT COFFEE TABLE

Part List

| No. | Description | Diagram | Qty pcs |
|-----|----------------------|---|---------|
| A | Table Top |  | 1 |
| B | Leg |  | 2 |
| C | Leg |  | 2 |
| D | Bolt L1-2/5" |  | 12 |
| E | Washer |  | 12 |
| F | Plastic Caps |  | 12 |
| G | Adjustable Levellers |  | 4 |
| H | Hexagonal Wrench |  | 1 |

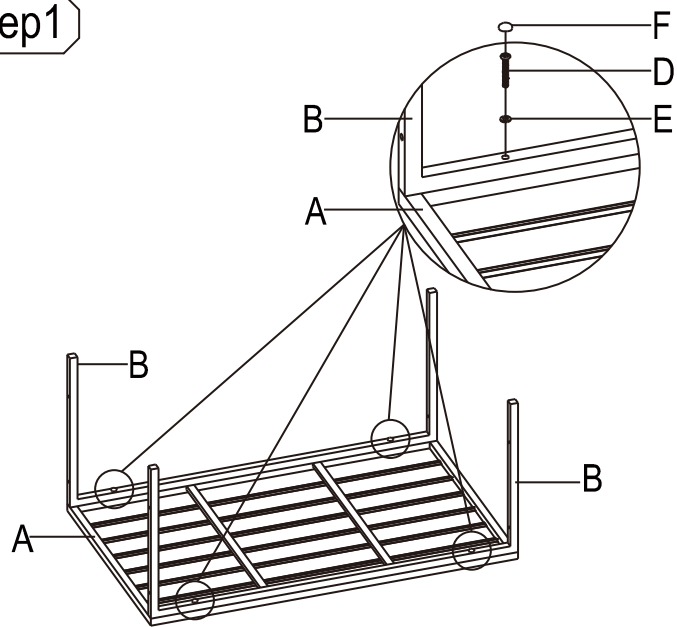


Thanks for choosing Able Inc products. We'd love to hear your thoughts, and so would other customers. If you are satisfied with our products and service, please let us know. If you have questions or feedback, we're here to help! cs@ableinc.com.
(We will reply you within 24 business hours)

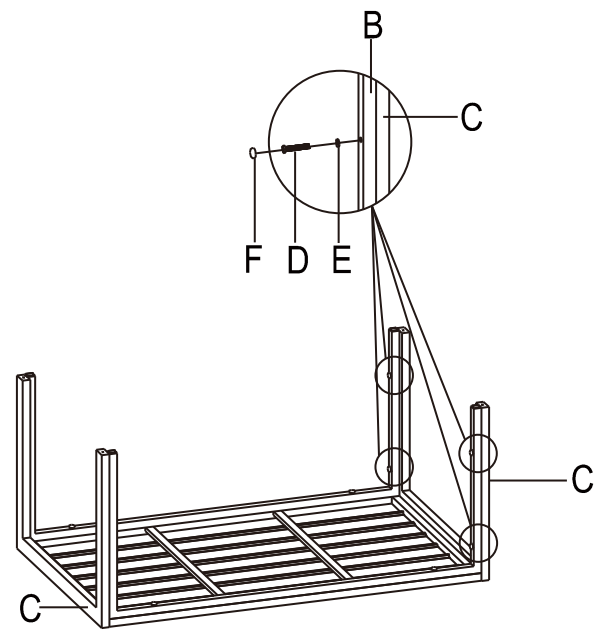


www.ablestore.com

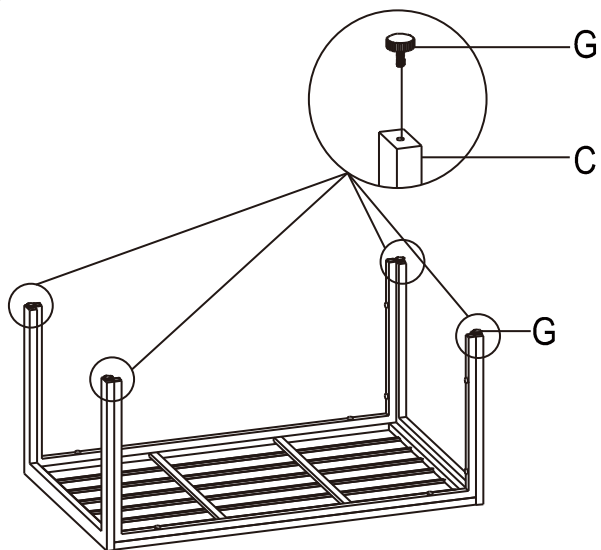
Step1



Step2



Step3



Step4

