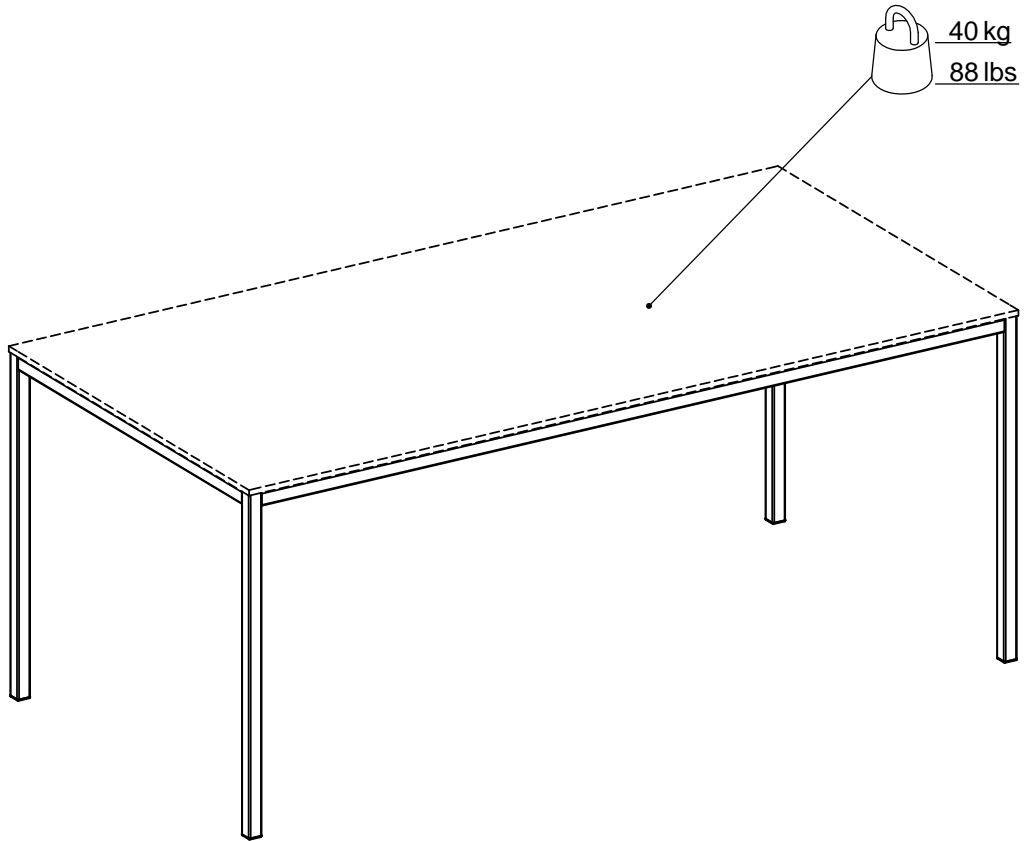
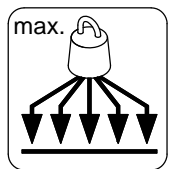


tvilum

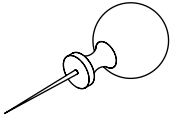
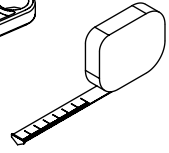
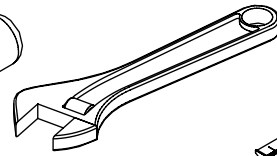
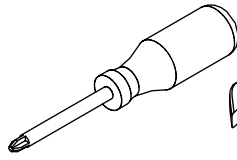
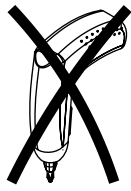
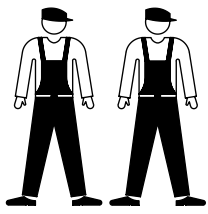


75477 D

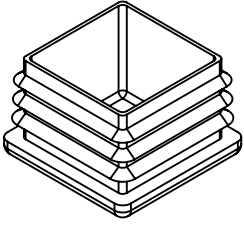


www.tvilum.com

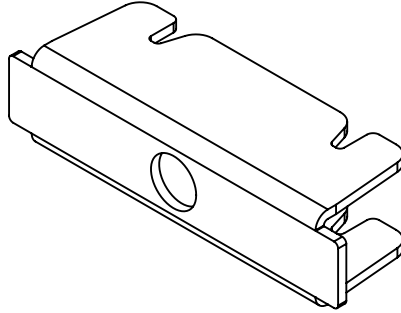




66795.04
x4



66795.05
x4



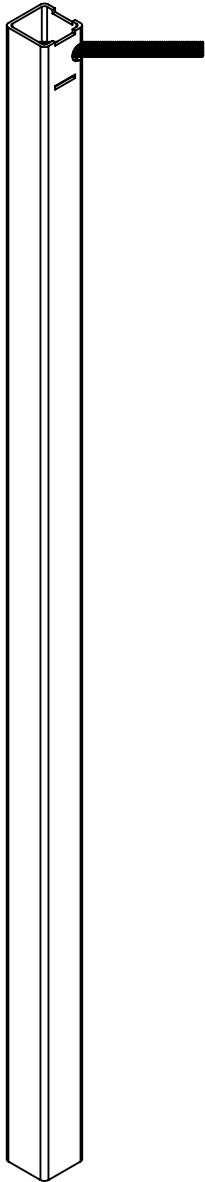
21210
x4



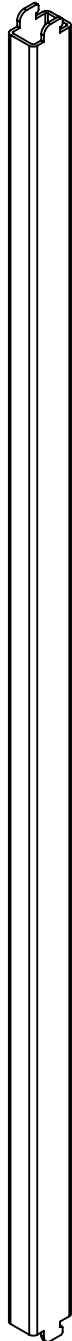
21620
x4



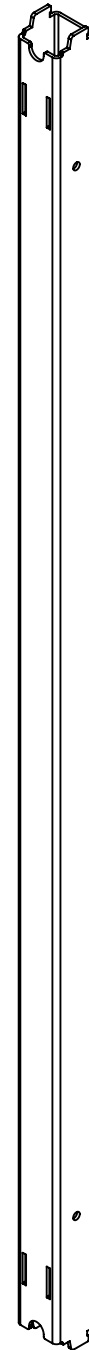
66795.01
x4



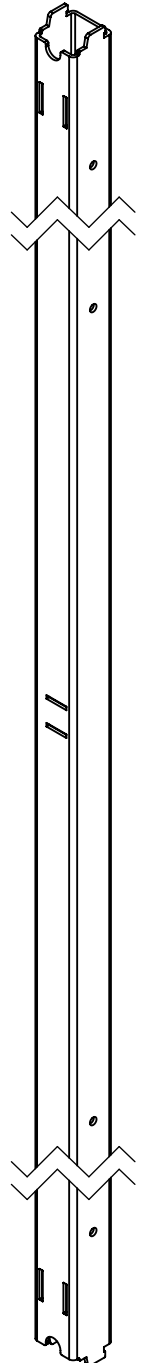
66795.09
x1



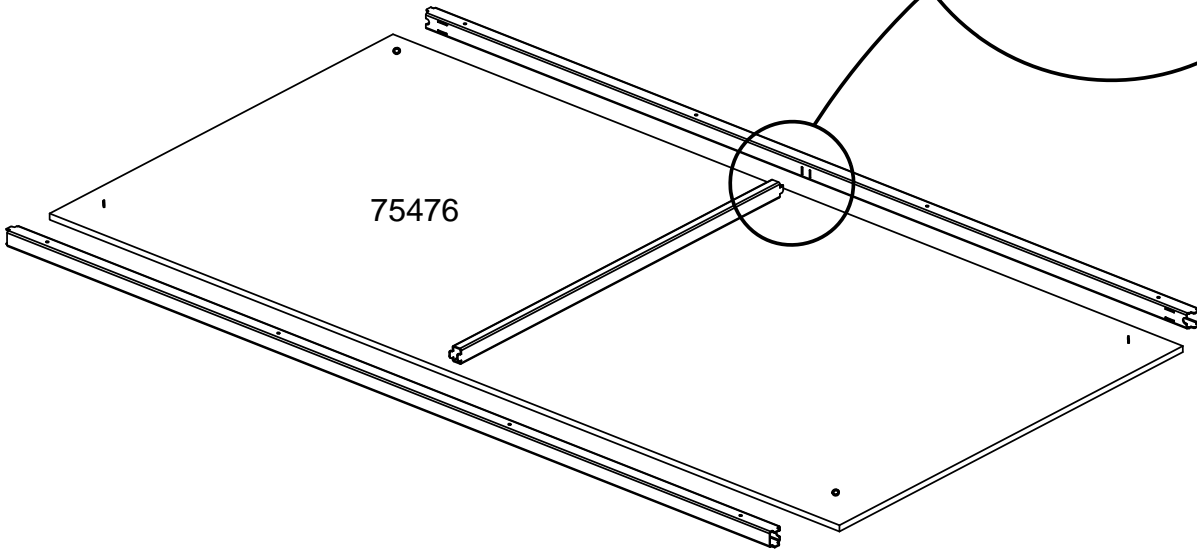
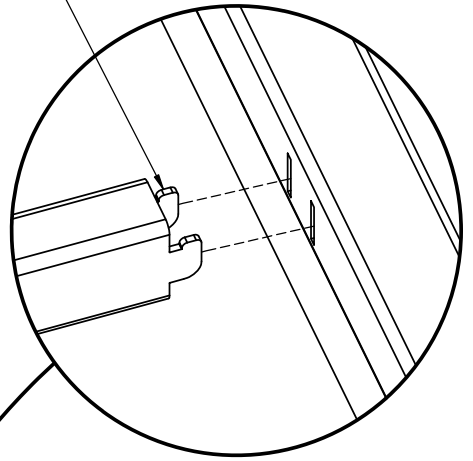
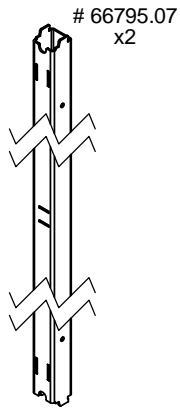
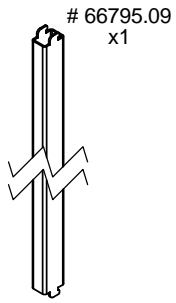
66795.08
x2



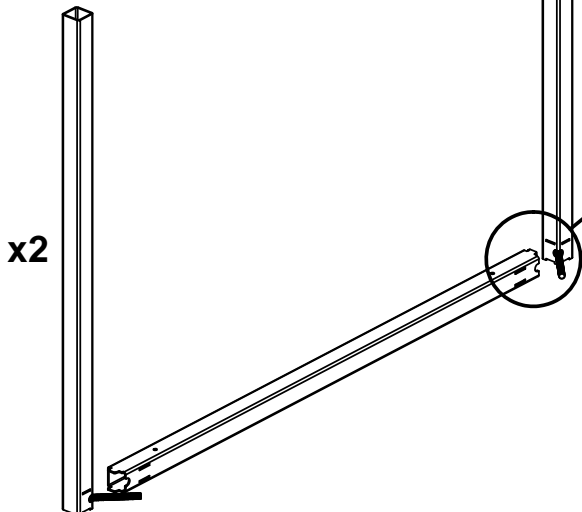
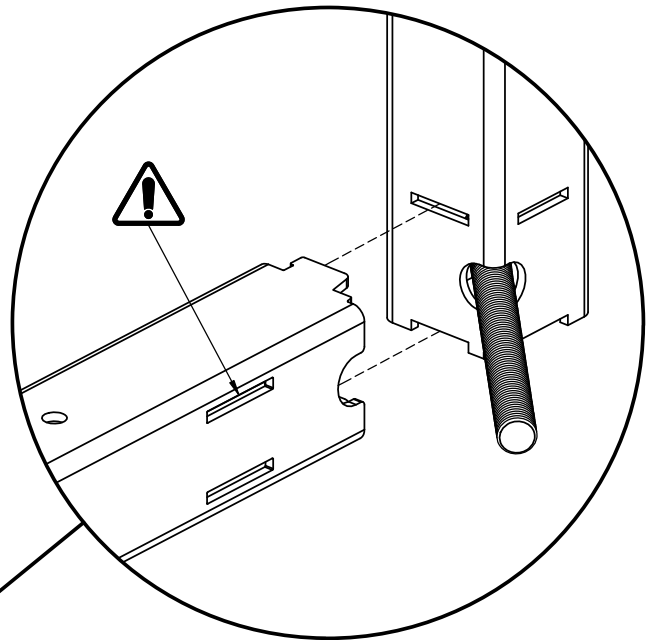
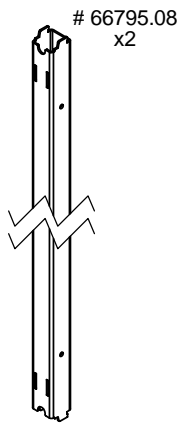
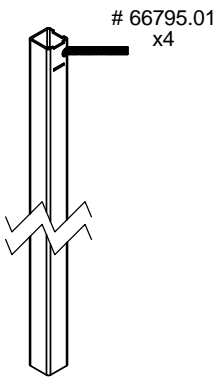
66795.07
x2



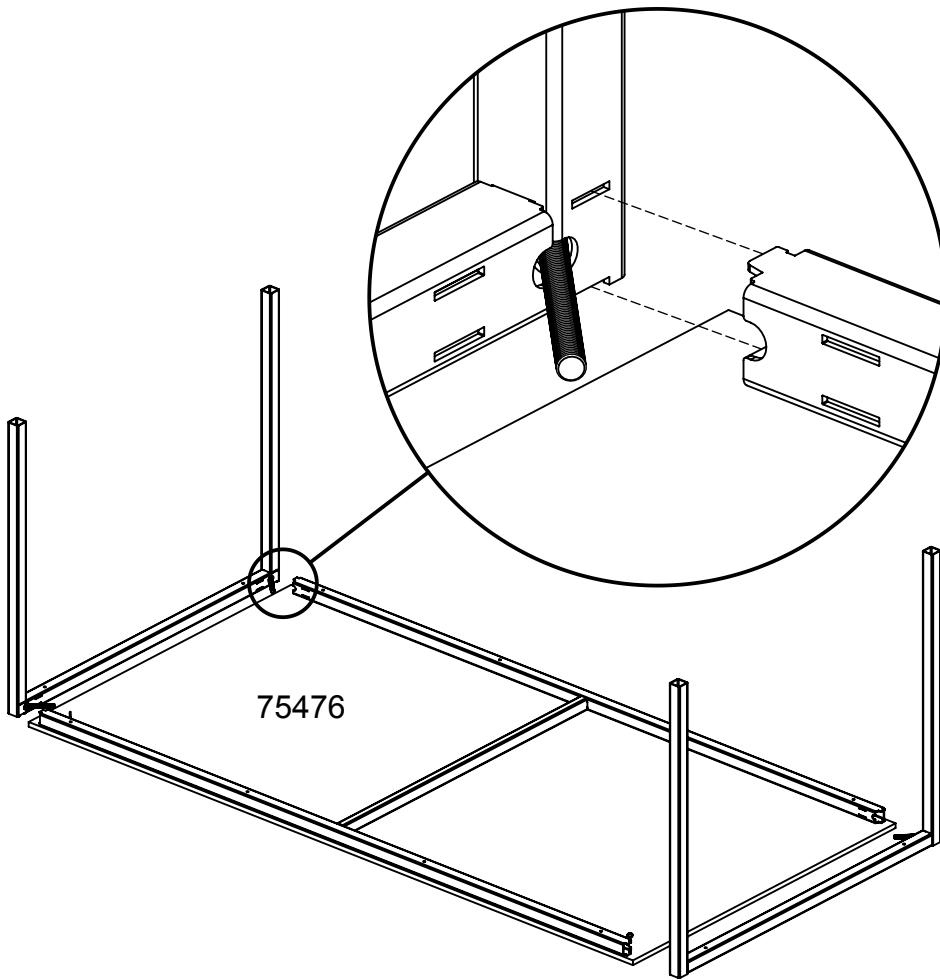
1



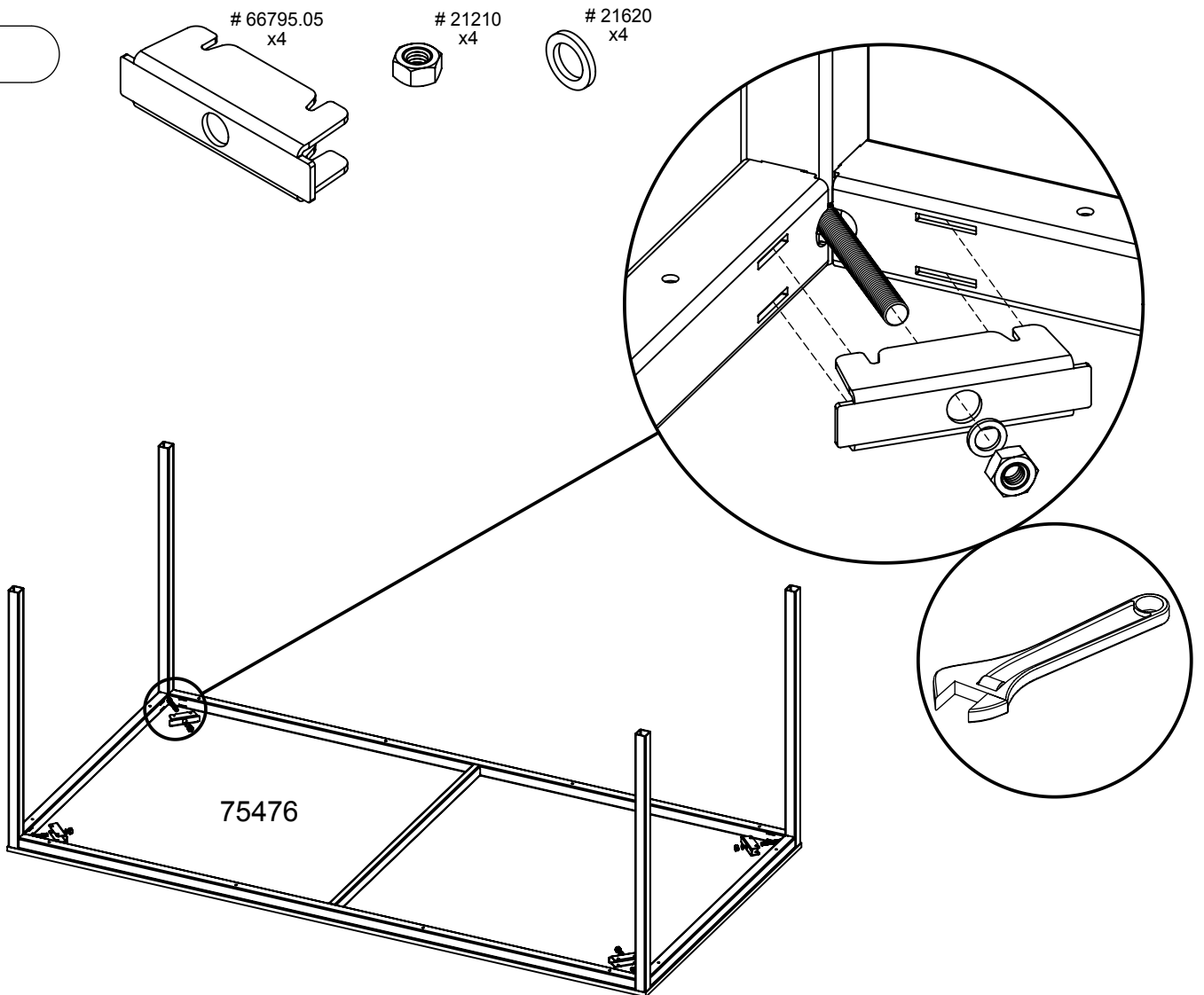
2



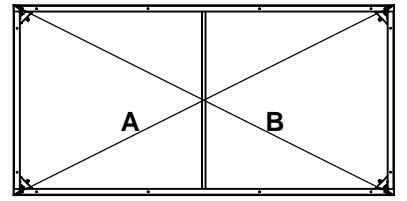
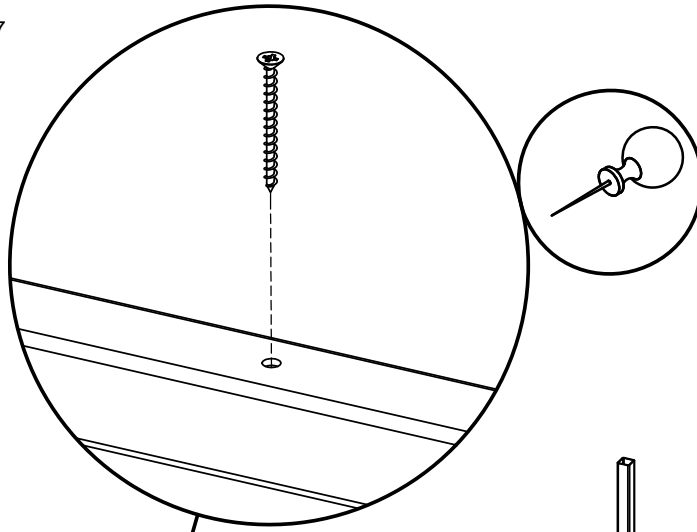
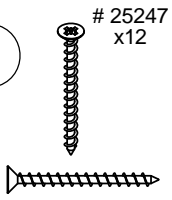
3



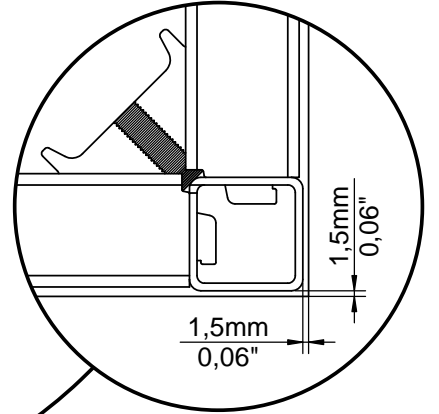
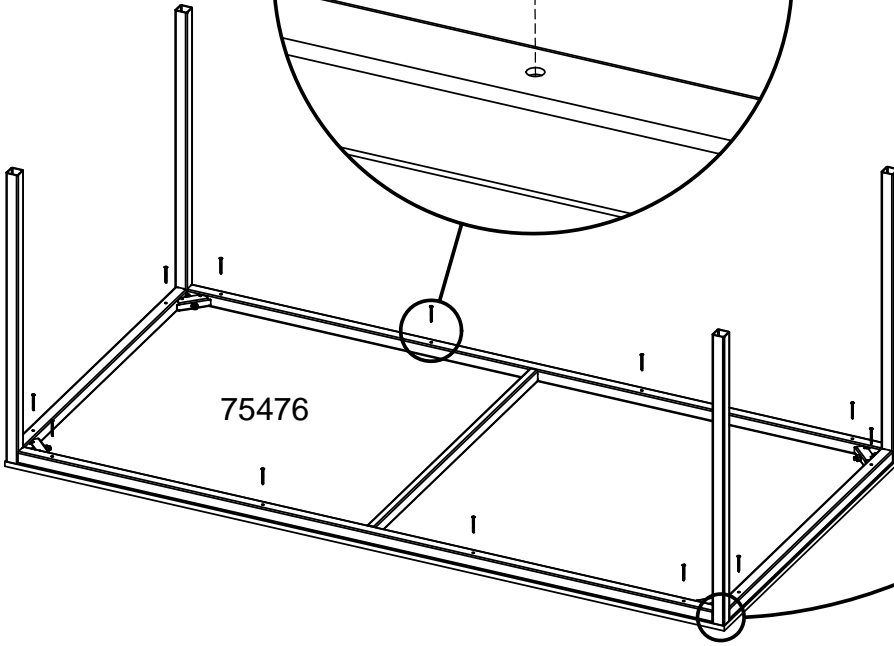
4



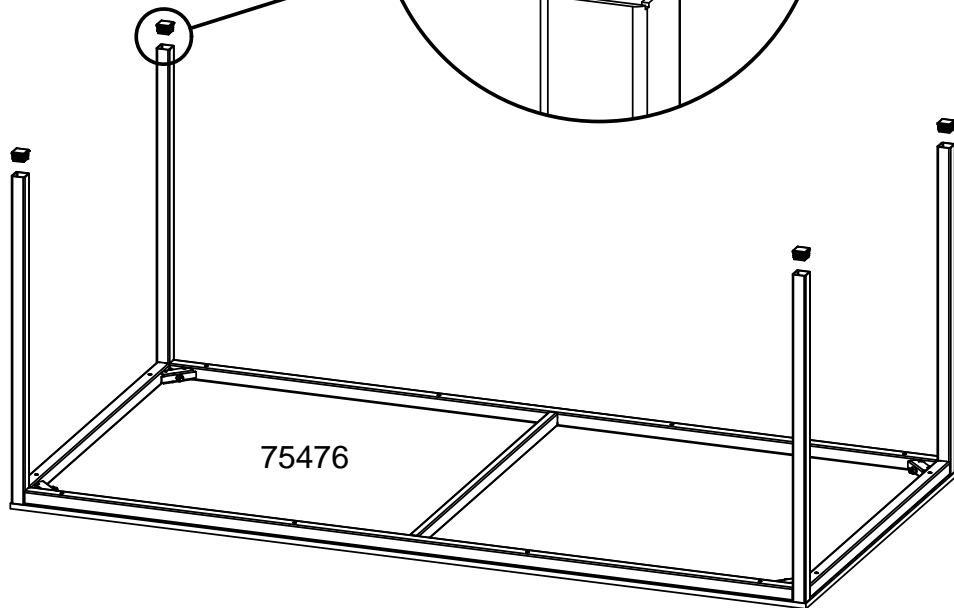
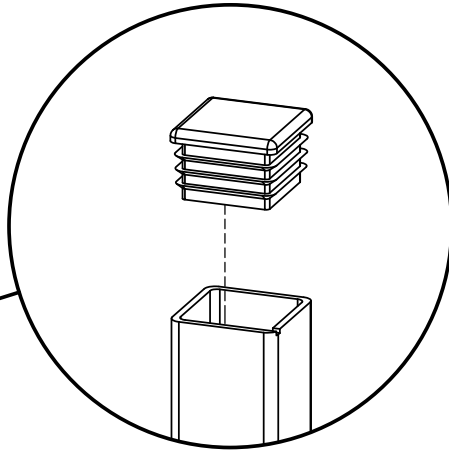
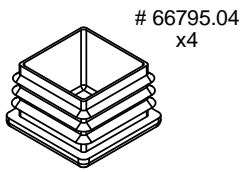
5



A = B



6



7

x4

