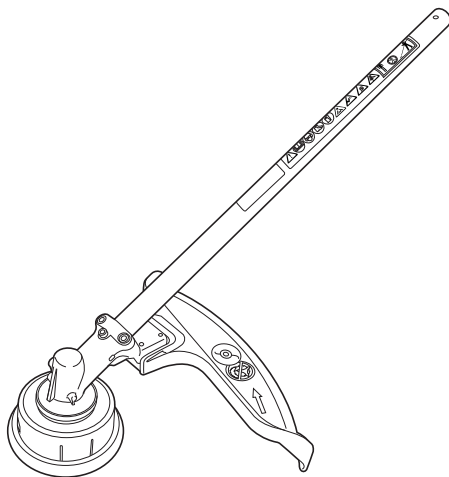


Trimmer/Brush Cutter Attachment SSST Instruction Manual



SSST

For Safe Use of Trimmer/Brush Cutter Attachment

- Be sure to read this manual and the powerhead (separately sold) manual to have a good understanding of the contents before handling the brush cutter.
- If there is no powerhead manual, you can purchase one from your servicing dealer.
- Keep this manual and the powerhead manual in a readily accessible location.

Contents

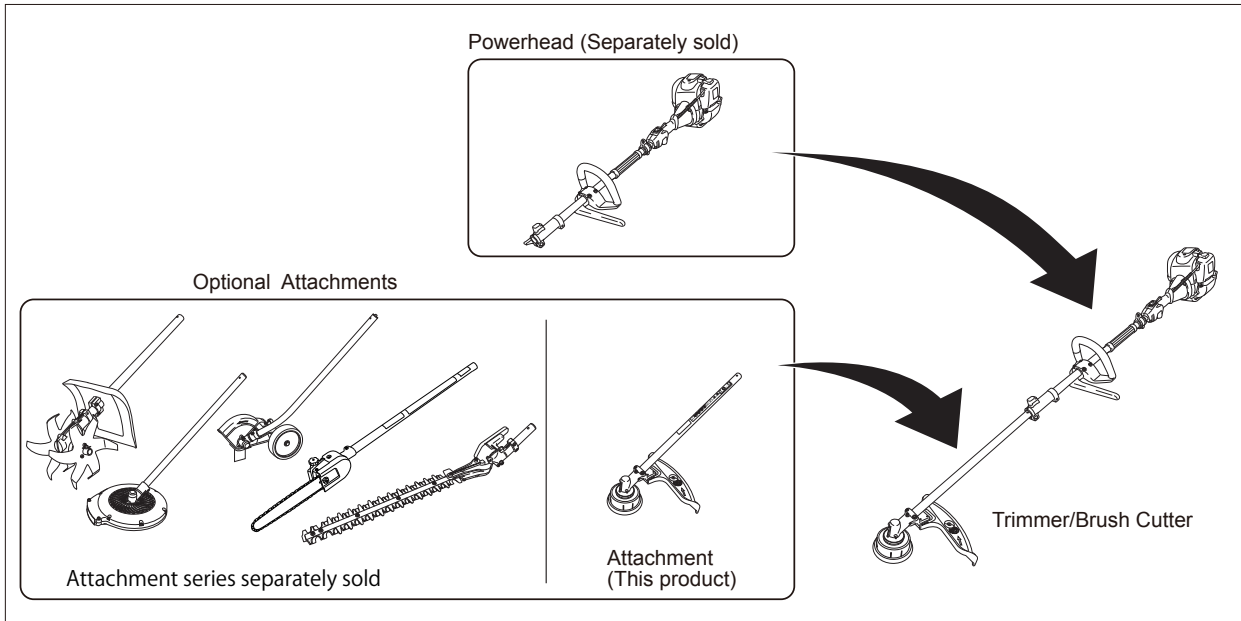
Important Information	2
1. Safety	4
1.1 Warnings	4
1.2 General Precautions	6
1.3 Safety Devices and Protective Guard	11
1.4 Protective Equipment	12
1.5 Noise	12
1.6 Vibration	12
2. Outline	13
2.1 Name of Parts and Their Functions	13
2.2 Specification	13
2.3 Attached Material	14
2.4 Option (to be separately sold)	14
2.5 Position of Model and Serial No.	15
2.6 Replaceable Items	15
3. Installation	16
3.1 Installation Method	16
3.2 Installation of Grass Debris Shield	19
3.3 Installation of Cutting-line Head	20
4. Operation	21
4.1 Transporting method	21
4.2 Objects to be cut	22
4.3 Pre-operation Check	23
4.4 Start and Stop	24
4.5 Precautions for Operation	24
4.6 Cutting Operation	26
4.7 Releasing Cutting Line	28
4.8 Actions after Operation	28
5. Maintenance	29
5.1 Daily	30
5.2 Every 20 Hours	30
5.3 As Necessary	31
6. Storing	34
7. Waste Disposal	35
8. Installation of Grass Cutting Steel Blade (Option)	36
9. Troubleshooting	38
10. Servicing	39
11. Technical data	40
How to Contact Honda	41
Distributor's Limited Warranty	42
PRODUCT REGISTRATION	43

Important Information

Intended Purpose

This product (hereinafter referred to as an attachment) is designed to be attached to an approved powerhead (to be purchased separately) for cutting grass, weeds and brush. (Refer to page 16 for approved powerheads.)

Do not use the trimmer/brush cutter for any other purpose or in any other way.



General

- This attachment is equipped with a cutting-line head as a standard item. The cutting-line head can also be replaced with an optional grass cutting steel blade (purchased separately).
- When using the grass cutting steel blade (option), use a genuine blade kit or genuine parts. Before using the grass cutting steel blade, read the manual of the blade kit carefully and have a good understanding of the contents.
- In this instruction manual, the word "cutting head or blade" is used as a general term for blades such as cutting-line heads and grass cutting steel blades (option).
- Refer to the powerhead manual for further information on handling the powerhead.
- When handling the trimmer/brush cutter, observe all the applicable safety rules, standards or regulations in the area where the trimmer/brush cutter is used. This trimmer/brush cutter is designed and produced according to the standards and regulations applied in the purchase country, assuming that the use is limited to the purchase country only. It will not comply with standards and regulations of other countries. Do not export or resell the trimmer/brush cutters to any other countries because the languages are different.
- Before use, read this instruction manual and the powerhead manual thoroughly, and have a good understanding of the contents. Do not allow any person who does not understand the contents of this manual to handle the trimmer/brush cutter.
- Do not take any actions other than those described in this manual and the powerhead manual.

Important Cautions for Safe Work

- NIKKARI Co., Ltd. (hereinafter referred to as NIKKARI) cannot foresee all the risks in handling the trimmer/brush cutter. Therefore, also give consideration to general safety measures not stated in this manual and powerhead manual to prevent injuries when handling the trimmer/brush cutter.
- The trimmer/brush cutter is a high-speed cutting tool. To decrease risk of personal injury, special safety precautions must be observed. If it is used carelessly or inappropriately, the cutting-line head could make contact with hands or body, resulting in a fatal or serious injury such as amputation of hands or fingers.

Important Cautions for Instruction Manual

- This instruction manual is copyrighted and all rights are reserved. This instruction manual, in whole or part, may not be copied, translated or reproduced to any electronic medium or machine readable without prior written consent from NIKKARI.
- The contents described in this instruction manual and powerhead manual are subject to change without prior notice.
- Illustrations or figures shown in this instruction manual may partially differ from your trimmer/brush cutter.
- If you lend or rent the trimmer/brush cutter, be sure to provide the user with this manual and the powerhead instruction manual. Also, advise the user that they need to have a good understanding of the content of both manuals before starting any work.
- If this instruction manual or powerhead manual is lost or damaged, order a replacement from your servicing dealer immediately.
- If you have any questions about descriptions in this manual or powerhead manual, contact your servicing dealer.
- The names of companies and products described in this manual are generally trademarks or registered trademarks of each company.

1. Safety

California Proposition 65

This product contains or emits chemicals known to the State of California to cause cancer, birth defects, or other reproductive harm.





1.1 Warnings

For appropriate use of the trimmer/brush cutter, follow the instructions in this manual. Warning labels are attached to places where there are potential risks. The warning labels in this instruction manual are categorized depending on the degree of risk as shown in the table below.




1.1.1 Warning Description

Signal words in this instruction manual are categorized as shown below. If the warning for each signal word is ignored, injury or death may result.

■ Meanings of signal words

 DANGER	Indicates an immediately hazardous situation which, if not avoided, will result in death or serious injury.
 WARNING	Indicates a potentially hazardous situation which, if not avoided, could result in death or serious injury.
 CAUTION	Indicates a potentially hazardous situation which, if not avoided, could result in mild to moderate injury.
 Note	It could result in property damage. Indicates to emphasize important information or provide helpful information.

■ Meanings of symbols

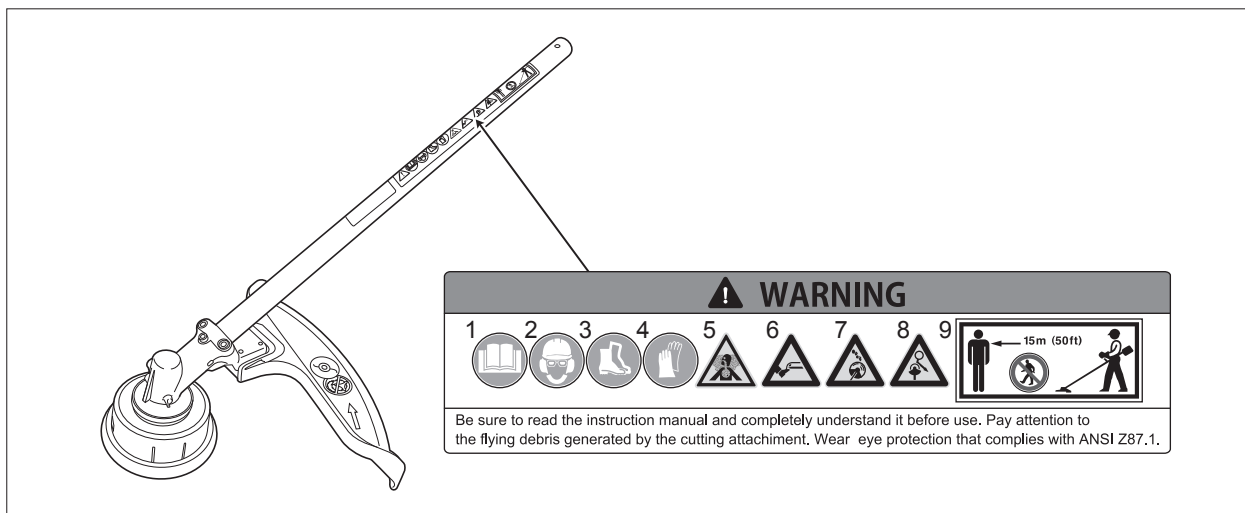
	Caution Sign	Indicates that hazardous situation may result if you fail to follow the instructions. The hazards are indicated by the pictogram inside the symbol.
	Prohibition Sign	Indicates prohibition of dangerous action. Prohibited actions are indicated by the pictogram inside or by the symbol.
	Enforcement Sign	Indicates enforcement of actions. Actions to be enforced are indicated by the pictogram inside the symbol. This action is required to avoid hazard.

1.1.2 Warning Labels

■ Cautions for Handling

- (a) This trimmer/brush cutter is provided with warning labels to indicate important cautions. Understand the meanings of the warning labels thoroughly to work in a safe environment.
- (b) Do not operate the trimmer/brush cutter until you have a good understanding of the meanings of the warning labels. If you do not understand the meanings, contact your servicing dealer.
- (c) Be sure to observe the warning labels and warning messages in the instruction manual at all times while handling the trimmer/brush cutter.
- (d) Do not remove or damage the warning labels. Also, do not clean the warning labels with solvent.
- (e) Do not paint the warning labels when repainting the trimmer/brush cutter.
- (f) If the warning labels become illegible, damaged or removed, purchase new ones from your servicing dealer, and attach them in accordance with the "■ Warning Labels and Attached Locations".

■ Warning Labels and Attached Locations



1	Be sure to read the instruction manual and completely understand it before use.
2	Wear personal protective equipment for eyes, ears, and head during operation.
3	Wear protective shoes (sturdy boots with nonslip sole) during operation.
4	Wear gloves during operation.
5	Exhaust contains carbon monoxide, a clear, odorless gas that can injure or kill you. Only use in well ventilated locations.
6	Take care not to injure your legs with a cutting attachment.
7	Pay attention to the objects scattered by the cutting attachment. Do not use the trimmer/brush cutter with the grass debris shield removed.
8	Do not hit the cutting head or blade against something hard. The cutting head or blade will bounce back in an unexpected direction.
9	Keep people and animals out of the area within a radius of 50 ft (15 m) from the trimmer/brush cutter during operation.

1.2 General Precautions

1.2.1 Overall Precautions

When handling the trimmer/brush cutter, follow the precautions of the powerhead manual in addition to the following precautions.

DANGER



Do not use for cutting branches etc.

Do not use the trimmer/brush cutter when tired, ill, or after consuming alcohol, drugs, or medication.

Do not use the trimmer/brush cutter with the grass debris shield removed.

* It could cause a serious injury as a result of flying debris, etc.



Be sure to firmly tighten the knob bolt at the attachment connection before using the attachment.

* The attachment could come off, resulting in serious injury or death.

WARNING



Do not use the trimmer/brush cutter for any purpose other than the grass cutting.

Do not allow minors to operate the trimmer/brush cutter.

Do not modify the trimmer/brush cutter.

Do not install any unapproved powerhead to the attachment.

Do not remove the safety devices.

Do not touch the cutting head or blade during operation.



If you lend or rent the trimmer/brush cutter, be sure to provide the user with this manual and the powerhead instruction manual. Also, advise the user that he or she needs to have a good understanding of the content of both manuals before starting any work.

Always shut off the engine and remove the trimmer/brush cutter from the powerhead before handling the blade.

1.2.2 Precautions for Clothing

WARNING



Wear a hard hat when using or transporting the trimmer/brush cutter.

Wear appropriate personal protective equipment when using the trimmer/brush cutter.

For details about protective clothing refer to “1.4 Protective Equipment”.

Wear goggles meeting the requirements of ANSI Z87.1 when using the trimmer/brush cutter.

Also use a face shield (or face screen) if possible.

* Failure to use goggles or face shield, could result in eye injury from flying debris.

Wear hearing protective equipment such as ear protections when using the trimmer/brush cutter.

1.2.3 Precautions before Operation

WARNING



Do not allow children or animals to enter the working range of the trimmer/brush cutter within 50 ft (15 m).

Do not operate the trimmer/brush cutter near electrical wires.

* Otherwise, you may suffer an electric shock.



Make sure that the trimmer/brush cutter is operated normally or there is not any part missing or damaged before starting the operation.

Before starting the operation or when hitting the trimmer/brush cutter against something hard such as stones, make sure that the knob bolt of powerhead connections is not loosened.

* Otherwise, it could cause the attachment to fall off.

Make sure that the positioning knob is lowered to the locked position when installing the trimmer/brush cutter. (Refer to page 18.)

* The attachment could come off.

Before use, always inspect the powerhead and attachment for any loose, damaged or missing parts.

* Anything loose, damaged, or missing could cause parts of the powerhead attachment to fall off or fail and seriously injure or kill the user.

Before using cutter, inspect the work area for any obstacles that cannot be removed so you can avoid contacting them when operating the cutter.

* Otherwise, you may trip on the obstacle or unintentionally hit it with the blade, potentially resulting in serious injury or death.

►► Note

- If the edge of the optional blade is blunt or damaged, do not operate the trimmer/brush cutter. Otherwise, it could cause damage to the engine and machine due to overloading.

1.2.4 Precautions at Start-up

WARNING



The trimmer/brush cutter must only be started and operated by one person.

- * Operation by more than one person increases the likelihood of mishandling and resulting injury.

CAUTION



Always start the trimmer/brush cutter in an open, flat area with the cutting head or blade off the ground.

- * Otherwise, you risk injury from falling or hitting the cutting head or blade on the ground or obstacles.

1.2.5 Precautions for Operation

DANGER



Do not operate the trimmer/brush cutter on insecure footings including a ladder, tree, back of the truck.

- * You could fall off the footing, drop the trimmer/brush cutter or contact the cutting head or blade by inappropriately handling it, resulting in serious injury or death.

WARNING



Do not operate the trimmer/brush cutter using just one hand.

- * You could drop the trimmer/brush cutter or contact the cutting head or blade by mishandling, potentially leading to serious injury or death.

If the cutting head or blade starts moving while idling, do not use the trimmer/brush cutter.



While cutting grass, put up a KEEP OUT sign in a prominent place to prevent any third person from entering within 50 ft (15 m) of the working area.

- * Otherwise, a serious injury may happen.

Be sure to use cutting head or blade and the other parts specified by the manufacturer.

- * If any cutting head or blade other than that specified is used, the cutting head or blade could be damaged or it could come off, resulting in injury of the operator and/or bystanders.

⚠ WARNING



Exhaust contains carbon monoxide, a clear, odorless gas that can injure or kill you. Only use in well ventilated locations.

Always keep the trimmer/brush cutter head at or below waist height.

* Using the trimmer/brush cutter with the head higher than waist height increases the risk of mishandling or loss of balance, potentially resulting in serious injury or death.

Always concentrate on your work when using the trimmer/brush cutter.

If you need to do other work or talk to others, stop the engine first.

* Failure to properly concentrate could result in mishandling and resultant injury.

Always use the harness when operating the trimmer/brush cutter.

* Failure to use the harness increases the likelihood of mishandling and resultant injury.

If the cutting head becomes entangled and stops, stop the engine and make sure the cutting blade is not moving before untangling the cutting head.

* Failure to fully stop the engine and cutting blade could result in cuts to or amputation of fingers, hands or arms.

⚠ CAUTION



Do not touch hot surfaces such as the gear case during or immediately after the operation.

* Failure to observe the instruction could result in burns because the gear case could be very hot.

1.2.6 Precautions for Maintenance

⚠ WARNING



Do not perform any maintenance or repair other than those described in the instruction manual.

Other maintenance or repairs should be performed by your servicing dealer.

Do not replace parts with inappropriate parts.

* Failure to observe the instruction could cause the product not to perform as intended and cause injury due to deterioration of safety.



Before performing maintenance, repair or cleaning, stop the engine and remove the attachment from the powerhead.

* If the engine starts during the work, hands or fingers could be severed by the moving parts, or cutting head or blade, resulting in serious injury or death.

▶▶ Note

- Use a specified grease (general purpose No. 2 lithium grease). Also referred to as NLGI Grade-2 Lithium Based Grease. Using the wrong grease can lead to damage or failure.

1.2.7 Precautions for Transporting

WARNING



Before transporting the trimmer/brush cutter, stop the engine, and ensure the cutting head or blade has stopped.
For grass cutting steel blade (option), install the transportation guard (option).

►► Note

- When transporting the trimmer/brush cutter, install it to a harness or keep it balanced by holding the shaft tube.
- Before transporting the trimmer/brush cutter on the back of the truck, etc., remove the attachment from the powerhead, and then secure it so it does not move.

1.2.8 Precautions for Storing

CAUTION



When storing the attachment with the hook of the pipe cap attached to the pipe, etc., do not pull or swing the attachment.



When storing the blade attachment, install the transportation guard (option) on the grass cutting steel blade (option) and place it out of the reach of children.

1.3 Safety Devices and Protective Guard

1.3.1 Safety Devices (Stop Devices)

To stop the trimmer/brush cutter in case of an abnormality, use the stop device on the powerhead and stop the operation of the cutting head or blade.

Refer to the powerhead manual for details.

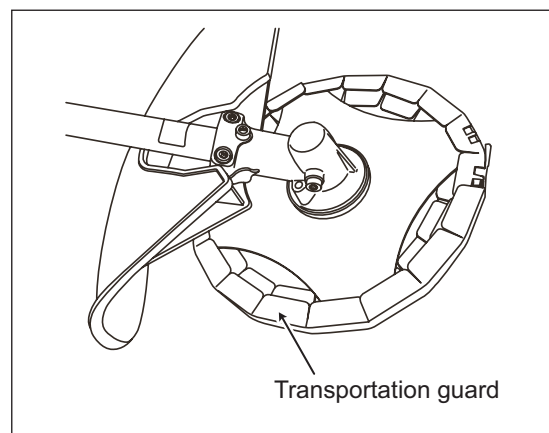
1.3.2 Safety Devices (Quick Release)

In case of an abnormality, the trimmer/brush cutter can be released from the harness by using the quick release device.

Refer to the powerhead manual for details.

1.3.3 Protective Guard (Transportation Guard (Option))

For grass cutting steel blade (option), install the transportation guard to the trimmer/brush cutter for transporting or storing to prevent an injury due to contact with the grass cutting steel blade (option). Install the guard as shown in the right figure.



1.4 Protective Equipment

When using the trimmer/brush cutter for cutting, it is recommended to wear the following protective equipment.

- (a) Hard hat
- (b) Working wear (long sleeve jackets and full-length pants of heavy material)
- (c) Protective shoes (sturdy boots with nonslip sole)
(Steel-toed safety boots are recommended.)
Leg protector
- (d) Gloves (heavy-duty, nonslip gloves)
- (e) Goggles that meet the requirements of ANSI Z87.1.
- (f) Face shield (or face screen) (use together with goggles is recommended)
- (g) Ear protection



►► Note

- Do not wear any jewelry, neckties or scarves.
- Secure hair so it is above shoulder level.
- If the jackets or pants are loose, tighten the cuffs or hems.
- Do not wear short pants, sandals, or go barefoot.

1.5 Noise

A person operating the trimmer/brush cutter must use ear protection equipment.

However, take care when wearing the ear protection equipment. Your ability to hear shouts or alarms is restricted.

1.6 Vibration

Vibration generated by the trimmer/brush cutter may cause vibration induced Hand-Arm Vibration Syndrome (HAVS). This will cause swelling pain or numbness of hands, and there is a risk of affecting the hand.

To prevent such problems, do not continuously operate for a long time. Instead, take an appropriate break.

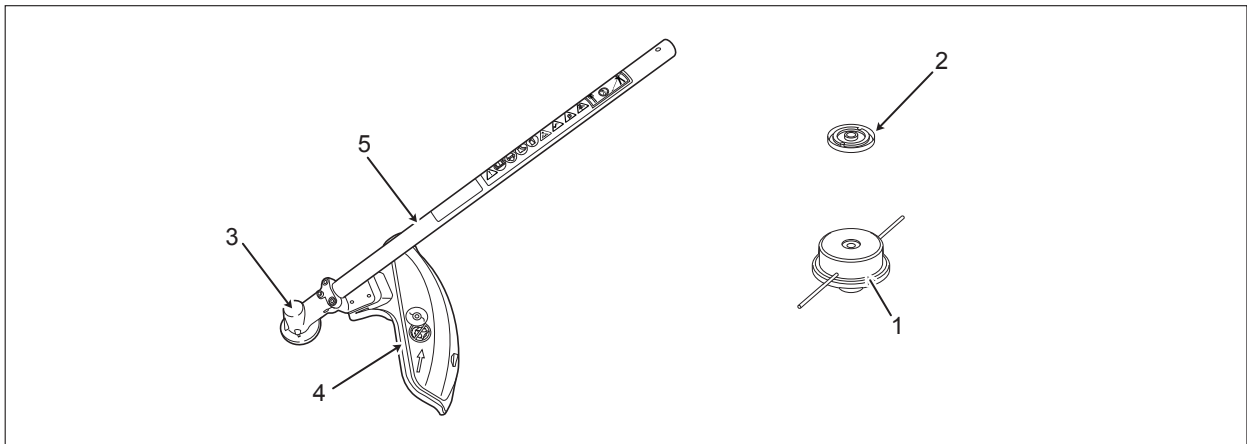
2. Outline

2.1 Name of Parts and Their Functions

The trimmer/brush cutter is a device with the attachment installed to the powerhead (separately sold). The following is the structure of the attachment and name and function of each part.

►► Note

- There are two types of powerheads. For details about the powerhead, refer to the powerhead manual.



No.	Name	Description
1	Cutting-line head	Rotates at a high-speed and cuts grass, weeds and shrubs, etc. by the cutting line. The cutting line rotates counterclockwise as viewed from the operator.
2	Blade holder	A part to install the cutting-line head to the gear case.
3	Gear case	Changes rotational angle from the powerhead to the cutting head.
4	Grass debris shield	Guards from objects such as grasses, stones and sand scattered by the cutting-line head. This also cuts the cutting line to the correct length.
5	Shaft tube	It is the main frame. The power transmission shaft is inside this tube.

2.2 Specification

■ Standard Specification

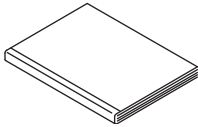
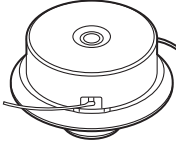

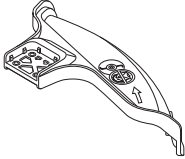


Item		Specification
Cutting-line head (Attached Material)	Diameter	16.5 in (420 mm)
Grass cutting steel blade (Blade kit option)	Diameter, #teeth, arbor	9 in (230 mm), 4T, 1 in
Grass cutting steel blade (Blade kit option)	Diameter, #teeth, arbor	10 in (255 mm), 4T, 1 in

►► Note

- Grass cutting steel blade and blade kit are separately sold. For genuine parts, contact your servicing dealer.

2.3 Attached Material

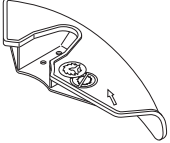




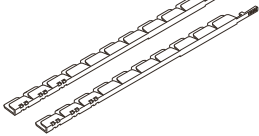
The following are attached materials. For the powerhead, refer to the powerhead manual.

<p>Instruction manual (this book)</p> 	<p>Cutting-line head</p> 	<p>Blade holder</p> 
<p>Grass debris shield</p> 	<p>Plate</p> 	<p>Fixed screw (4 pcs.)</p> 

2.4 Option (to be separately sold)

►► Note

- For part numbers, contact your servicing dealer.
- Do not use a saw tooth saw blade.

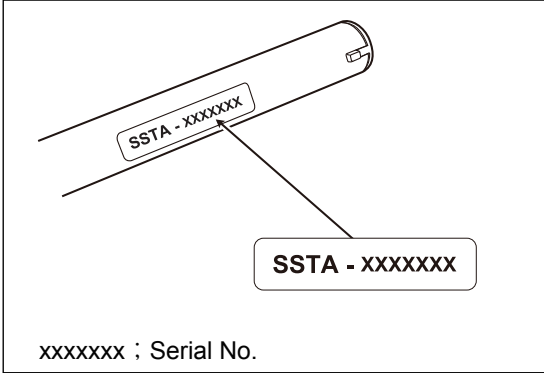
<p>Grass debris shield for grass cutting steel blade</p> 	<p>Grass cutting steel blade</p>  <p>The shape differs depending on the specification.</p>	<p>Blade cap</p>  <p>This part is also required if any other type of the cutting head is installed.</p>	<p>Nut cover</p> 
<p>Nut</p> 	<p>Transportation guard</p> 		

2.5 Position of Model and Serial No.

Check the model code of your attachment on the nameplate attached to the machine shaft. Record serial No. (See "10. Servicing"). You will need this model code and serial No. when ordering parts, and when making technical or warranty inquiries.


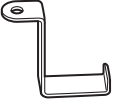

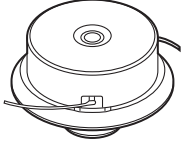
▶▶Note

- The model code is 4 letters.
The model code is different from the model name.



2.6 Replaceable Items

The following are common replaceable items for this attachment. Contact your servicing dealer for replacement parts.

<p>Cap</p> 	<p>Cutting knife</p> 	<p>Blade holder</p> 	<p>Cutting-line head</p> 
--	--	--	--

3. Installation

3.1 Installation Method

WARNING



Before installing or removing any attachment or part, stop the engine and, if attached, let the cutting blade come to a complete stop.

* If the engine starts during the work, hands or fingers could be severed by the moving parts, or cutting head or blade.

3.1.1 Combination with Powerhead

WARNING



Do not install any unapproved powerhead to the attachment.

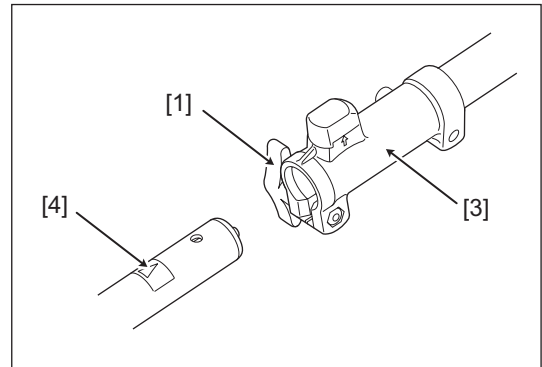
* The attachment could separate from the powerhead causing severe injury.

The attachment can be installed only to our approved equipment (shown below).

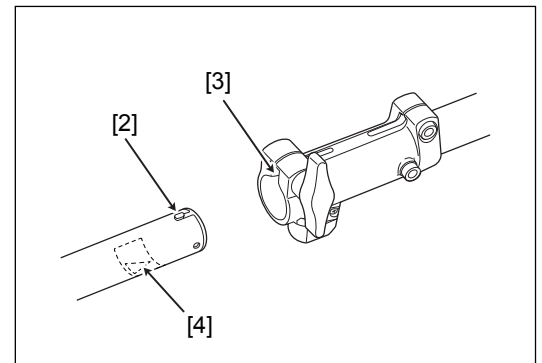
Manufacturer	Approved Powerheads
Honda Motor Co., Ltd.	UMC425A
Honda Motor Co., Ltd.	UMC435A

3.1.2 Connecting

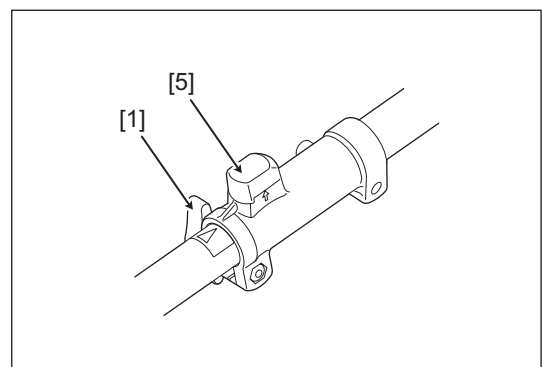
- 1** Loosen the knob bolt [1] of powerhead connections.



- 2** Align the boss (protrusion) [2] at the end of the pipe with the slit of the joint case [3], and insert it to the label [4] position.

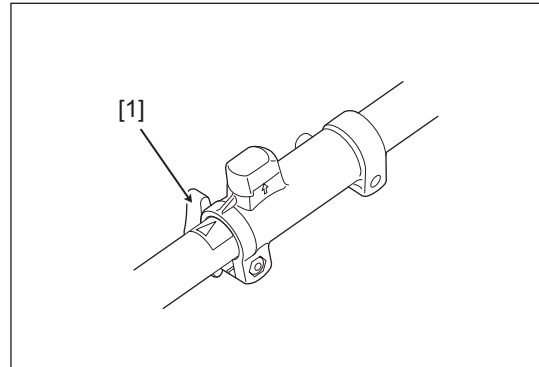


- 3** Make sure that the positioning knob [5] is lowered to the locked position as shown, and then tighten the knob bolt [1] of the powerhead connections.

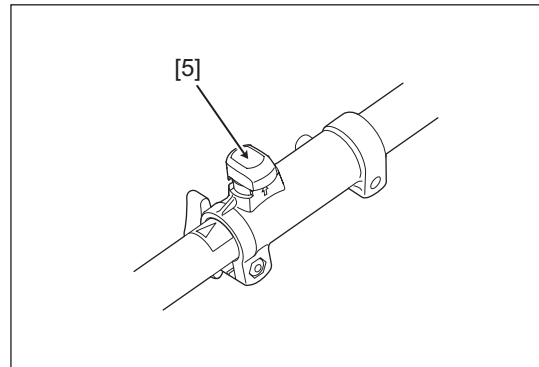


3.1.3 Removing

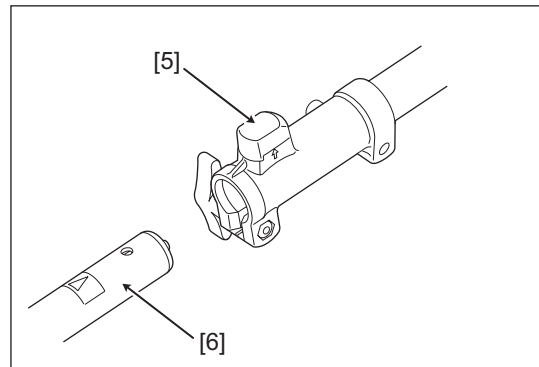
- 1** Loosen the knob bolt [1] of powerhead connections.



- 2** Lift the positioning knob [5], and turn it 90°, either clockwise or counterclockwise.



- 3** Pull out the shaft tube [6].
If the shaft tube is hard to remove, hold it so that the attachment is parallel to the pipe of the powerhead, and then pull it out.



- 4** Turn the positioning knob [5] until it comes to the center and locks in place. When the positioning knob [5] is returned to the center, it will be released downward.

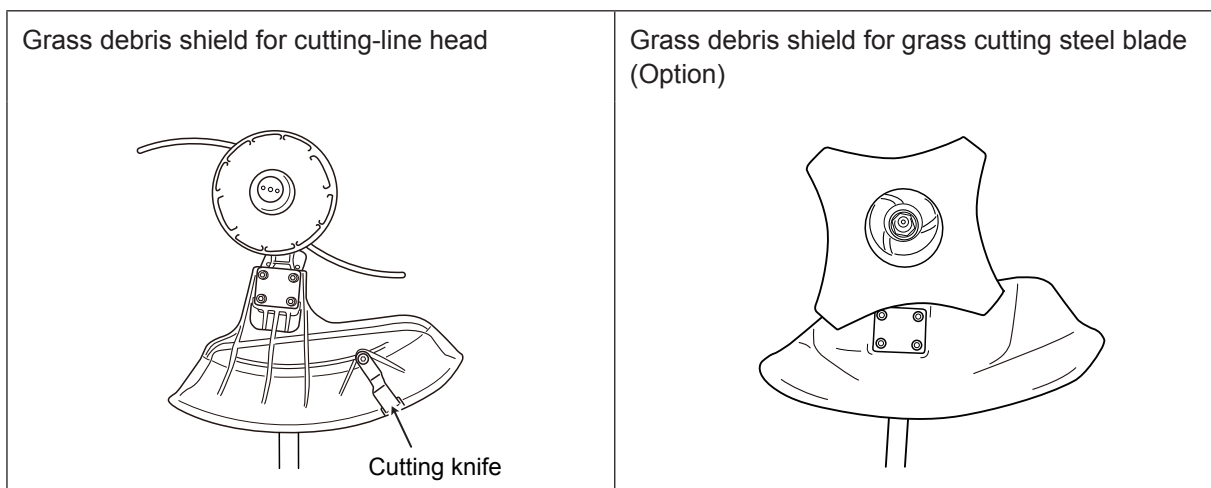
3.2 Installation of Grass Debris Shield

Follow the procedure below to install the grass debris shield.

If the blades are provided, remove the blades before performing this work.

►►Note

- If a grass cutting steel blade is installed, a different grass debris shield is required (included in blade kit). However, the installation procedure is the same.



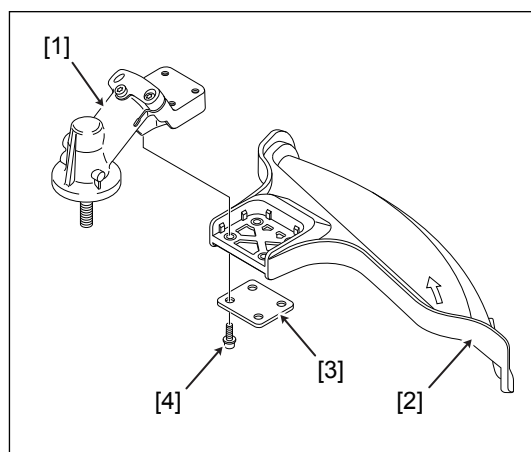
- Do not remove the grass debris shield. If the grass debris shield is damaged, contact your servicing dealer.

1 Set the start/stop switch to OFF (O side) to stop the engine.

2 Remove the attachment from the powerhead.

3 Put on gloves.

4 Install the grass debris shield [2] and the plate [3], and fix it to the gear case [1] by tightening with the fixed screw [4] (4pcs.). The fixed screws can be tightened using the tool supplied with the UMC powerhead.



3.3 Installation of Cutting-line Head

⚠ DANGER



Use the cutting-line head (flexible nonmetallic line) recommended by the manufacturer.

Do not use wire-rope, etc.

* If it is cut, it could be a dangerous projectile, resulting in serious injury.

Thoroughly read “1.2 General Precautions” before installing the cutting-line head.
Install the cutting-line head and other parts as follows:

1 Set the start/stop switch to OFF (O side) to stop the engine.

2 Remove the attachment from the powerhead.

3 Put on gloves.

4 Remove any foreign objects such as grass and stones accumulated in part A of the gear case [1].

▶▶ Note

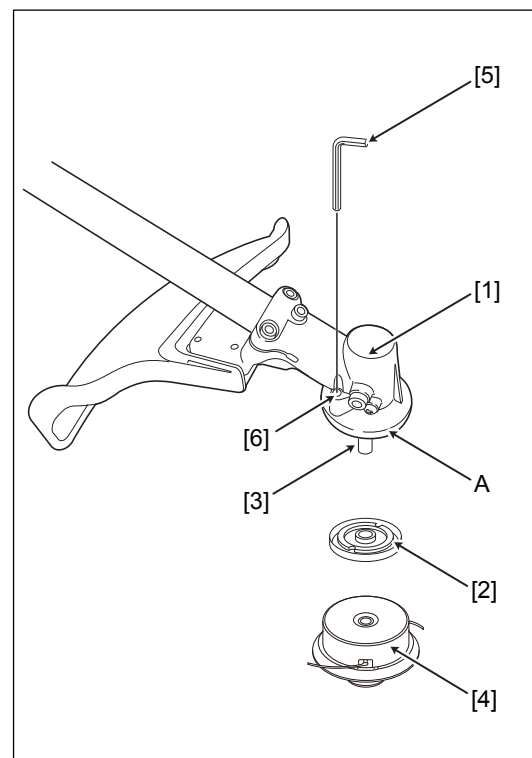
- If the cutting-line head is operated with foreign objects accumulated, the gear case could be damaged.

5 Put the blade holder [2] on the output shaft [3].

6 Insert the L type wrench (4 mm) [5] into the hole [6] for holding the gear case and rotate the cutting-line head [4] counterclockwise to tighten.

▶▶ Note

- The output shaft has left-hand threads.
Turn the cutting-line head clockwise to loosen.
- The L type wrench [5] is included in the powerhead.
- If any other type cutting line head is used, then an optional spacer (called blade cap) must be installed against the existing blade holder [2], to allow the head to seat properly.



4. Operation

4.1 Transporting method

WARNING



When transporting the trimmer/brush cutter, wear appropriate clothes and personal protective equipment.

* Otherwise, it could cause injury.

Before transporting the trimmer/brush cutter, stop the engine, and ensure the cutting head or blade has stopped.

For grass cutting steel blade (option), install the transportation guard (option).

Remove obstacles, and watch your step when transporting the trimmer/brush cutter.

* If the footing is insecure, an injury due to tripping over or falling could happen.

►► Note

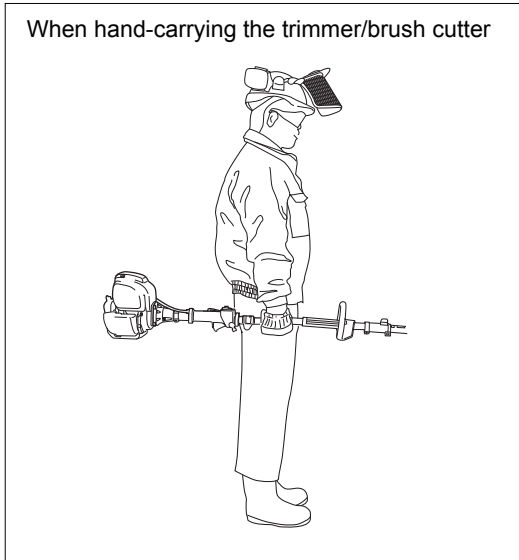
- When transporting the trimmer/brush cutter, install it to a harness or keep it balanced by holding the shaft tube.
- Before transporting the trimmer/brush cutter on the back of the truck, etc., remove the attachment from the powerhead, and then secure it so it does not move.

- 1** Wear protective equipment. For detail about the protective equipment, refer to “1.4 Protective Equipment”.
- 2** Make sure that the engine is stopped and the cutting head or blade is not moving.
- 3** For grass cutting steel blade (option), install the transportation guard (option).

4 <When hand-carrying the trimmer/
brush cutter>
Install it to the harness or use the shaft
tube to maintain balance.

<When transporting by truck, etc.>

- (1) Remove the attachment from the powerhead.
- (2) Put the trimmer/brush cutter on the back of the truck, and secure it.



4.2 Objects to be cut

Replace with the grass cutting steel blade (option) as necessary.

For installing the grass cutting steel blade (option), refer to “8. Installation of Grass Cutting Steel Blade (Option)”.

Item	Object to be cut
Cutting-line head (attached)	Lawn and low-growing grass
Grass cutting steel blade 4-tooth grass type (option)	High-growing grass or larger weeds

▶▶ Note

- Do not use a saw tooth blade.

4.3 Pre-operation Check

WARNING



Make sure that the trimmer/brush cutter is operated normally or there is not any part missing or damaged before starting the operation.

Before operating the trimmer/brush cutter, check the following.

- (a) If any part is damaged or worn out, replace before using. Contact your service dealer for a replacement part.
 - Check to see if there is any looseness, cracks, bending, or distortion of parts (nuts, screws, etc.)
 - Check to see if the cutting head or blade is damaged.
 - Check to see that the proper grass debris shield is installed and not damaged.
 - Check to see if the knob bolt of powerhead connections is loosened.
- (b) Check to see if the trimmer/brush cutter functions normally. If it is faulty, contact your servicing dealer for repair.
 - Check to see if the throttle trigger is operating freely (if it returns to the idling position).
 - Check to see if the start/stop switch functions normally.
- (c) Check the handle for dirt, etc. If it is dirty, wipe it off.
 - Check to see if it is kept clean (if there is oil or resin adhering.)
 - Be sure it's dry before using.
- (d) Check the idling status. If it is faulty, perform the steps described in the powerhead manual.
 - Check to see if the cutting head or blade moves during idling.
If it does, stop the engine and contact the servicing dealer for repair.
- (e) Tighten the nuts/screws of the cutting head or blade.
If there is any looseness, it could result in serious injury.
For tightening the nuts/screws of cutting head or blade, refer to "3.3 Installation of Cutting-line Head".
For grass cutting steel blade (option), refer to "8. Installation of Grass Cutting Steel Blade (Option)".
- (f) In addition to the above, perform the steps described in the powerhead manual.

4.4 Start and Stop

The trimmer/brush cutter is operated by the powerhead.
Refer to the powerhead manual.

4.4.1 Start

WARNING



The trimmer/brush cutter must only be started and operated by one person.

* Operation by more than one person increases the likelihood of mishandling and resulting injury.

For starting the trimmer/brush cutter, refer to the powerhead manual.

4.4.2 Stop

When the throttle trigger is released, the engine power will decrease, and the cutting head or blade will come to a stop. However, it will not stop immediately after the throttle trigger is released, but instead will continue to turn for a short while (flywheel effect).

Maintain proper control until the blade has come to a complete stop.

Refer to the powerhead manual for details.

4.5 Precautions for Operation

When operating the trimmer/brush cutter, observe the following, as well as “1.2 General Precautions”.

■ General

- The trimmer/brush cutter is not insulated against electric shock. Have a person qualified for electric work remove wires and cables. If there are still wires or cables not removable, do not operate the trimmer/brush cutter.
- Do not cut any materials other than grass, weeds and shrubs.
- Keep the cutting-line head from hitting hard foreign materials such as rocks, concrete, tree stub etc.
- When using the grass cutting steel blade (option), avoid stones and stumps. They could cause the blade to bounce back in an unexpected direction, or the grass cutting steel blade (option) edge and stones, etc. could be scattered, resulting in injury.
- If bystanders and pets are approached during operation, stop the operation immediately. There is a risk of injury to bystanders and pets being hit by blades bounced back in an unexpected direction.
- There is still a risk of injury by thrown object even if bystanders keep a distance of 50 ft (15 m) or more. They should be encouraged to wear eye protection.
- Always stop the engine when leaving the trimmer/brush cutter.
- Never remove the grass debris shield and/or line when using a cutting-line head. Doing so will cause clutch overload and rapid wear, which is not covered under warranty.

■ Check the Trimmer/Brush Cutter

- Make sure that the grass debris shield is securely installed in the appropriate position before starting the operation.
- For grass cutting steel blade (option), make sure that it is sharp and not damaged. Replace if necessary. A dull grass cutting steel blade (option) is more likely to snag and bounce back unexpectedly.
- Make sure that an appropriate grass debris shield is installed.
- A blade requires a different shield than the cutting attachment.

■ Check the Work Area




- Remove all objects such as rocks, broken glass, nails, wire, or string, which can be thrown or become entangled in the cutting attachment in the work area before starting operation. Pay attention when operating the trimmer/brush cutter near fences or poles.
- Keep away from fences, edges, cliffs and hard objects.
- Take extreme care when operating in a slippery location/environment. Also watch out for rough ground, stumps, roots, ditches or holes which could cause you to trip or stumble. Do not use the trimmer/brush cutter when it is raining.
- To prevent fire, do not use the trimmer/brush cutter in a place where there are flammable liquids.
- Take care when cutting where it is difficult to see the materials being cut because the blade is more likely to bounce back in an unexpected direction.

■ In Emergency

- If the cutting head or blade is contacted with obstructions, immediately stop the engine. After the cutting head or blade is completely stopped, check to see if the cutting head or blade is broken, bent or cracked. If there is any failure, replace the cutting head or blade.
Also, check if the shaft tube is bent, broken or cracked. If there is any failure, contact your servicing dealer.
- When removing the foreign objects wound around the cutting head or blade, gear case or grass debris shield, be sure to stop the engine with the start/stop switch. Do not place your hands, etc. close to the cutting head or blade while the engine is operating even if the cutting head or blade is not rotating. When the throttle cable is gripped accidentally, the cutting head or blade will suddenly start rotating, causing serious injury.
- If there is any problem, such as abnormal noise or vibration, stop the operation immediately and check for the cause.
If anything abnormal is found, such as a blunt edge of the cutting head or blade, etc., make sure that no part is cracked or missing. Even if the cutting head or blade has superficial cracks instead of damage or wear, replace the cutting head or blade.
- In case of an abnormality, the trimmer/brush cutter can be released from the harness or shoulder harness by using the quick release.

4.6 Cutting Operation

⚠ WARNING

	Do not allow children or animals to enter the working range of the trimmer/brush cutter within 50 ft (15 m).
	The trimmer/brush cutter must only be started and operated by one person. * Operation by more than one person increases the likelihood of mishandling and resulting injury.
	Pay attention to blade thrust. * Blade thrust may occur when the spinning blade contacts an object that it does not immediately cut. * Blade thrust can be violent enough to cause the unit and/or operator to be propelled in any direction, and possibly lose control of the unit. * Blade thrust can occur without warning if the blade snags, stalls or binds. * Blade thrust is more likely to occur in areas where it is difficult to see the material being cut.

When using multiple trimmer/brush cutters at the same time, each operator must be at least within 50 ft (15 m) away from the others.

The following shows examples of use of the trimmer/brush cutter.

In the illustration, the grass cutting steel blade (option) is installed.

■ Holding Method of Trimmer/Brush Cutter

- Always hold the trimmer/brush cutter with both hands during operation.
To prevent injury due to inappropriate operation, always support the trimmer/brush cutter steady during operation by holding as follows.
Right hand: Control grip.
Left hand: Loop handle.
(This also applies to left-handers.)
- Always keep the machine away from your body.
- Do not over-reach during the operation. Your arm gets tired, losing control.
- Place your feet shoulder-width or wider apart.



■ Operating Method

- Before starting cutting operation increase the throttle to full speed. Operating the cutter at lower speeds reduces the tension of the nylon cutting line, resulting in lowered cutting efficiency.
- While swinging your body from side to side, cut the grasses from the right side to left side.
The cutting head or blade rotates counterclockwise. When a cutting head or blade cuts some articles from the left to the right, the cutting head or blade turning at a high speed could touch hard, uncuttable and heavy fixed articles such as stones, trees, stakes and concrete, and then the cutting head or blade could be thrust towards unexpected directions.
- Keep the right leg ahead of the left leg. Always step forward with your right leg. If you step forward with your left step first, there is a risk that your left leg is cut with the cutting head or blade.
- Appropriate cutting range is as follows :
Cutting-line head : 12:00 o'clock position
Grass cutting steel blade : 10:00 to 11:00 o'clock position
(as shown in the figure to the right)



■ Prohibited Matter

- Do not hold the trimmer/brush cutter on your left side.

▶▶Note

- This trimmer/brush cutter is designed for the operation with it held on the right side of the operator.



- Do not operate holding the trimmer/brush cutter higher than your waist.



- The line length is controlled by the cutter on the grass debris shield.
Never remove the line cutter or grass debris shield.
Doing so will cause the line to extend too far, which will overload and damage the clutch. Clutch damage due to overload is not covered under warranty.

4.7 Releasing Cutting Line

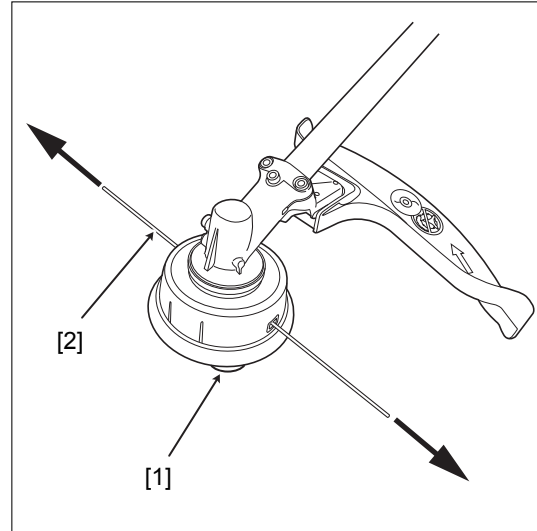
▶▶Note

- Take care when removing the cutting line. The cutting line could have been cut into pieces, and they could scatter when removing the cutting line.

- 1** When cutting line becomes shortened, run the engine at full throttle (approx. 8,000 rpm). Then hit tap knob [1] of spool against the ground surface lightly and the line [2] is released from the spool.

▶▶Note

- If the cutting line does not come out when the tap knob is pressed against the ground, stop the trimmer/brush cutter and adjust the cutting line or replace it. (Refer to "5.3.1 Replacement of Cutting Line".)



4.8 Actions after Operation

After using the trimmer/brush cutter, take the following actions.

- 1** Set the start/stop switch to OFF (O side) to stop the engine.



▶▶ Note

- Make sure that blades rotation has come to a complete stop, before setting the unit down.

- 2** Tighten all the nuts, bolts, and screws other than the ones for adjusting the carburetor.
- 3** Store the trimmer/brush cutter according to "6. Storing".

5. Maintenance

⚠ WARNING

	<p>Do not perform any maintenance or repair other than those described in the instruction manual.</p> <p>Other maintenance or repairs should be performed by your servicing dealer.</p>
	<p>Before performing maintenance, repair or cleaning, stop the engine and remove the attachment from the powerhead.</p> <p>* If the engine starts during the work, hands or fingers could be severed by the moving parts or cutting head or blade, resulting in serious injury or death.</p>

⚠ CAUTION

	<p>Wear gloves when handling the cutting head or blade during the replacement, etc.</p> <p>* Otherwise, hands or fingers could be severed by the cutting head or blade.</p>
---	--

Maintenance items for the attachment are described as follows.
For maintenance of the powerhead, refer to the powerhead manual.

■ Maintenance List

Item	Daily	Every 20 hours	As necessary	Remarks
Inspection of cutting head or blade and grass debris shield	○			Refer to 5.1.1.
Looseness of screws and nuts	○			Refer to 5.1.2.
Removal of foreign objects	○			Refer to 5.1.3.
Greasing		○		Refer to 5.2.1.
Replacement of cutting line			○	Refer to 5.3.1.
Replacement of cap			○	Refer to 5.3.2.
Replacement of cutting knife			○	Refer to 5.3.3.

5.1 Daily

5.1.1 Inspection of Cutting Head or Blade and Grass Debris Shield

Check the following.

- The cutting-line head or grass cutting steel blade (option) are not broken, chipped or bent.
- The grass cutting steel blade (option) is sharp and not rounded.
- There are no cracks or burrs on the grass cutting steel blade (option).
- Inspect grass debris shield. Check for cracks or damage. Be sure the correct grass debris shield is installed.

If there is any failure, contact your servicing dealer.

If the cutting performance starts to be degraded, for example, the grass cutting steel blade (option) is frequently caught in the branches, the grass cutting steel blade (option) must be ground again or replaced. Discard grass cutting steel blade (option) that is bent, warped, cracked, broken, damaged or worn. For the grass debris shield for cutting-line head, confirm the cutting knife is installed and not damaged.

5.1.2 Looseness of Screws and Nuts

Check the screws and nuts for looseness.

If any, tighten it securely.

5.1.3 Removal of Foreign Objects

Remove any foreign objects attached to part A of gear case (refer to “3.3 Installation of Cutting-line Head”). If the cutting head becomes entangled and stops, stop the engine and make sure the cutting blade is not moving before untangling the cutting head.

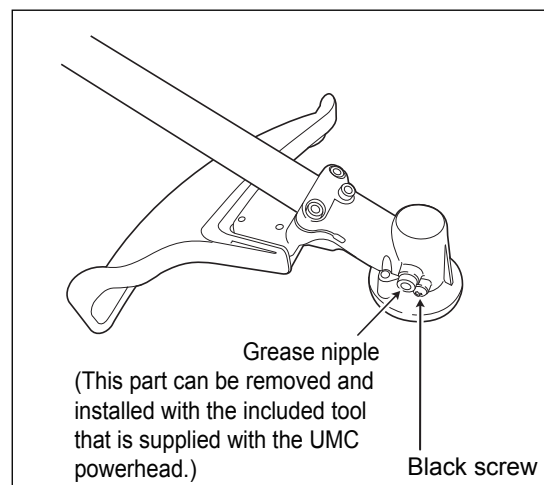
5.2 Every 20 Hours

5.2.1 Greasing

Remove the grease nipple using the included tool supplied with the UMC powerhead.
Apply grease into the grease nipple.
Use general purpose No. 2 lithium grease for greasing, Also referred to as NLGI Grade-2 lithium Based Grease.

►► Note

- Do not remove or adjust the black screw near the filler opening.
(it cannot be adjusted with the tool included.)



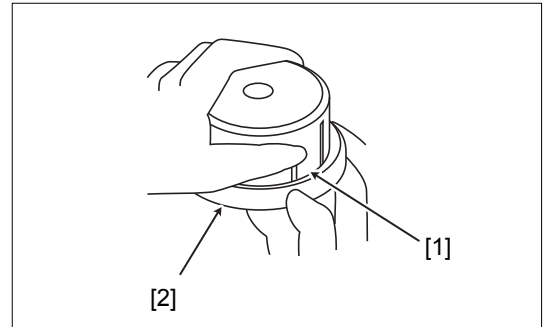
5.3 As Necessary

5.3.1 Replacement of Cutting Line

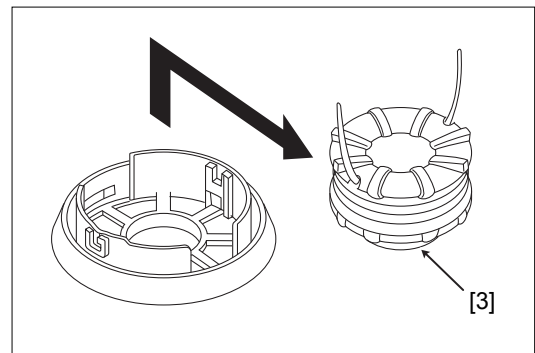
1 Set the start/stop switch to OFF (O side) to stop the engine.

2 Put on gloves.

3 Press retaining pawls [1] (at 2 places) inward and remove cover [2].



4 Remove spool [3].



5 When cutting line on the spool is almost exhausted.

(1) Remove remaining line from spool.

(2) Wind new line according to the procedures set fourth in step 7, etc.

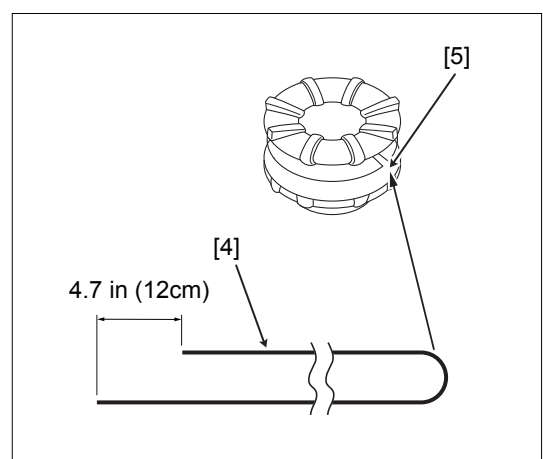
When the line on the spool is melted and stuck.

(1) Remove the entire line while peeling off the melted and stuck portion.

(2) Rewind the removed line according to procedures set fourth in step 7, etc.

6 Bend the cutting line [4] at the point 4.7 in (12 cm) away from the middle of whole length and hook the bent portion into the notch [5] of the intermediate separator.

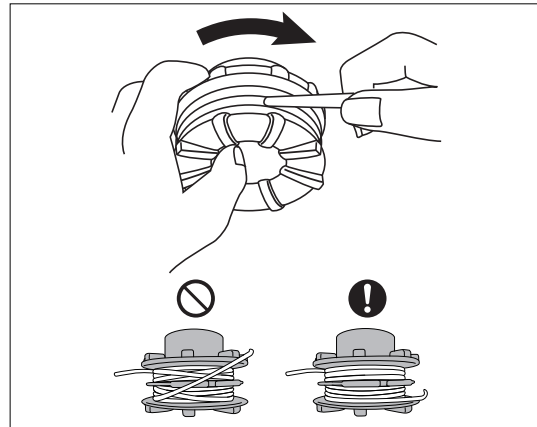
Cutting line diameter : 0.105 in (2.7 mm)



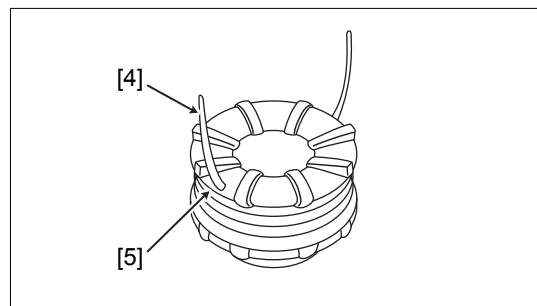
7 Wind the line firmly into groove of the spool in the winding direction for the line LH.

►► Note

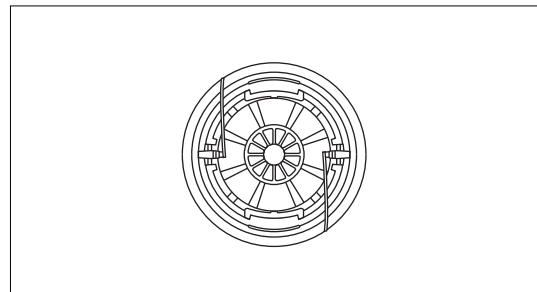
- Carefully wind the cutting line evenly, taking care not to wind irregularly.



8 When the line [4] is wound to the end hook both line ends into respective notch [5] of spool for retaining tentatively the line while leaving line [4] ends approximately 4 in (10 cm) beyond notch.

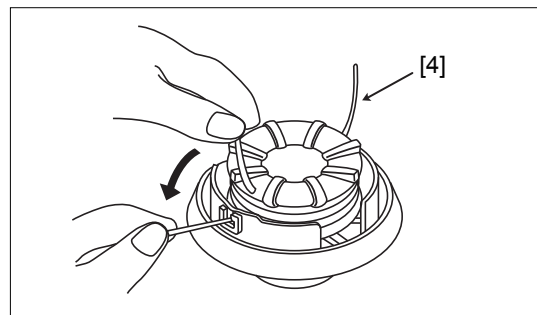


9 Align notches of spool for the line with groove of eyelets and fit spool cover.



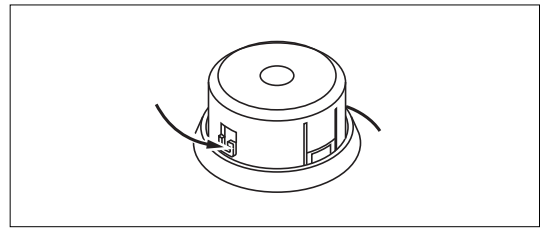
10 Pull out the line [4] from cover.

- (1) Remove the line [4] from respective notch of spool.
- (2) Pass it through groove of respective eyelet.

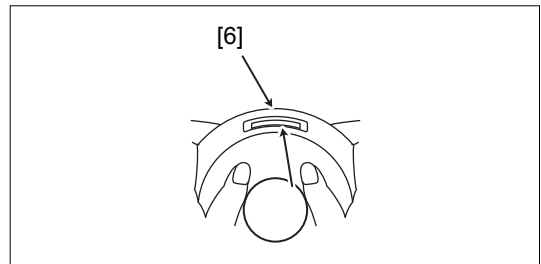


11 Fit cover and housing together.

(1) Align eyelets of cover with recesses of housing.



(2) Press pawls of housing into respective window [6] of cover until the pawls are firmly fitted into the windows.



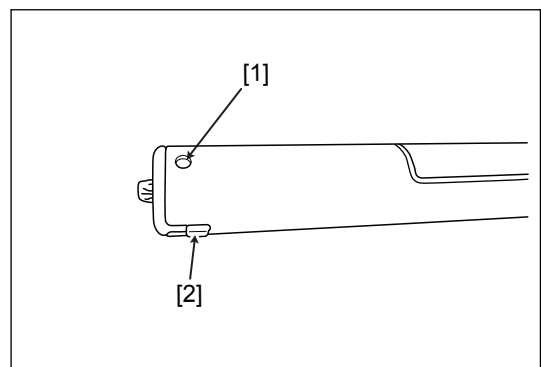
►► Note

- If they are loosely fitted and the cutting head is turned, the cover inside the components can fly off which is dangerous.

5.3.2 Replacement of Cap

1 Push the hole [1] with a thin rod to pull out the cap.

2 Align the boss (protrusion) of cap [2] with the pipe groove to insert the cap [2].
Make sure that the cap will not come off.



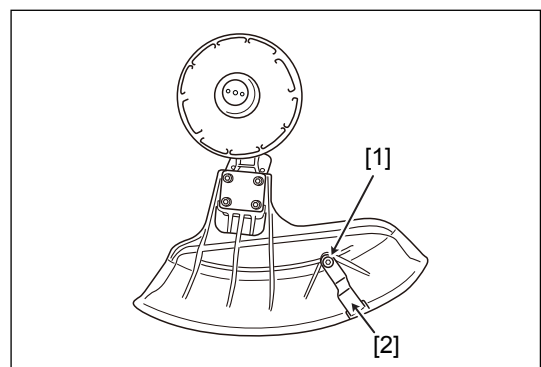
5.3.3 Replacement of Cutting Knife

1 Loosen the screw [1].

2 Replace the cutting knife [2] with a new one.

3 Tighten the screw [1].

Torque : 4.4 to 6 N·m



6. Storing

⚠ CAUTION



When storing the attachment with the hook of the pipe cap attached to the pipe, etc., do not pull or swing the attachment.



Wear gloves when handling the cutting head or blade during the replacement, etc.

* Otherwise, hands or fingers could be severed by the cutting head or blade.

When storing the blade attachment, install the transportation guard (option) on the grass cutting steel blade (option) and place it out of the reach of children.

▶▶ Note

- Do not discard grease into the river, the sea, or the ground. Otherwise, it could pollute the environment.

After the work or when storing, follow the procedure below.

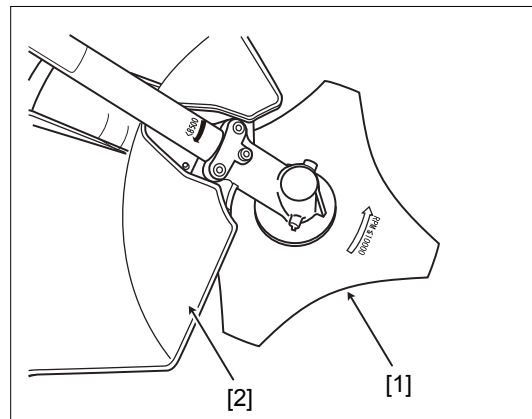
For directions after the powerhead operation is completed or storing method, refer to the powerhead manual.

▶▶ Note

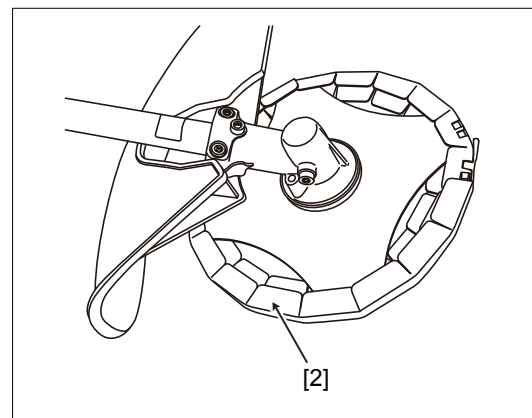
- The illustrations in “6. Storing” include the grass cutting steel blades (option).

1 Remove the attachment from the powerhead.

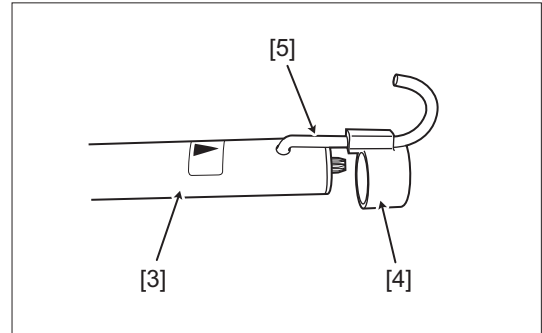
2 Check to see if the cutting head or blade [1] or grass debris shield [2] are damaged.



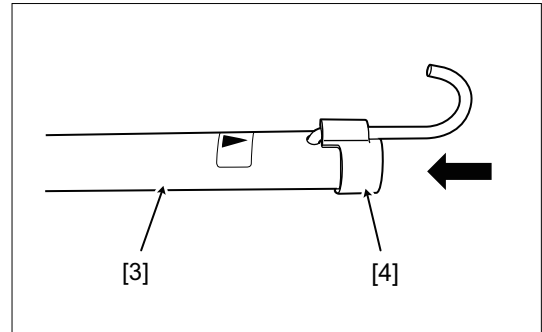
3 For grass cutting steel blade (option), install the transportation guard (option) [2].



-
- 4** Insert the hanging hook [5] of the pipe cap [4] into the hole of the shaft tube [3].



- 5** Insert the pipe cap [4] into the shaft tube [3].



- 6** Put on gloves.

- 7** Clean the attachment. Wipe off the dirt or stain with a cloth, etc.

- 8** Store the trimmer/brush cutter in the following place.

- (a) Locked place
- (b) High place out of reach of children and other unauthorized person
- (c) Dry and cool dark place

7. Waste Disposal

For disposal, observe the standards and regulations of your region. If there is any question, contact your servicing dealer.

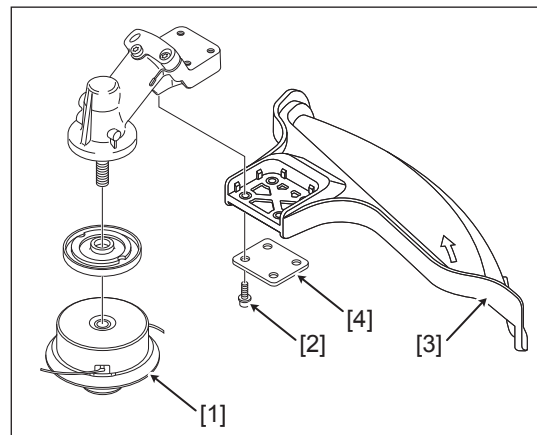
8. Installation of Grass Cutting Steel Blade (Option)

The following shows the installation procedure for the grass cutting steel blade (option).
Make sure that required parts are all installed properly before attaching the grass cutting steel blade (option).

►► Note

- Grass cutting steel blades, blade caps, nut covers and nuts are separately sold. For purchasing, contact your servicing dealer.
- Be sure to use genuine parts.
- Do not use a saw tooth blade.

- 1** Stop the engine, and pull out the trimmer/brush cutter attachment from the powerhead.
- 2** Put on gloves.
- 3** Remove the cutting-line head [1].
- 4** Loosen the four fixed screws [2] using the tool supplied with the UMC powerhead, and then remove the grass debris shield [3] and plate [4].



⚠ DANGER



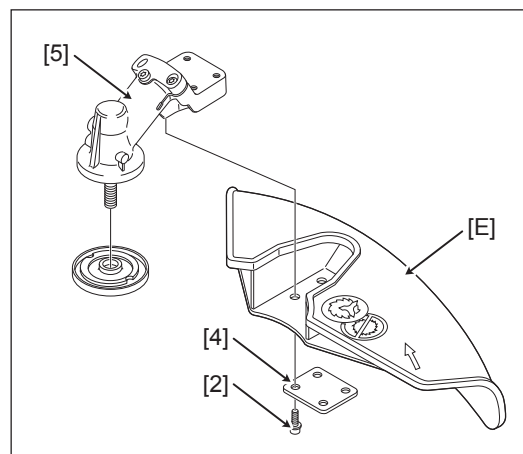
Before using the grass cutting steel blade of this product, be sure to replace the grass debris shield with the one for grass cutting steel blade.

* Otherwise, it will cause injury due to flying debris.

►► Note

- Store the removed grass debris shield [3] and cutting-line head [1] carefully.

- 5** Install the plate [4] of the grass debris shield for grass cutting steel blade [E], and fix it to the gear case [5] by tightening the four fixed screws [2] using the tool supplied with the UMC powerhead.



- 6** Remove foreign objects such as grasses and stones gathered in [*] part (as shown in the below figure) of the gear case [5].

⚠ CAUTION



Remove the foreign objects.

* If the product is used without removing the foreign objects, it could cause a serious injury or damage of the gear case.

- 7** Align the center hole of the grass cutting steel blade [A] with the boss of the blade holder [6], and install them to the gear case [5].

⚠ CAUTION



Align the center hole of the grass cutting steel blade with the boss of the blade holder.

* Otherwise, a serious injury or damage of the trimmer/brush cutter could be caused due to excessive vibration or looseness of the nut .

- 8** Install the blade cap [B] and nut cover [C].

- 9** Insert the L-wrench (4 mm) [8] into the hole [7] for fixing the gear case [5] to align with the groove or hole of the blade holder [6].

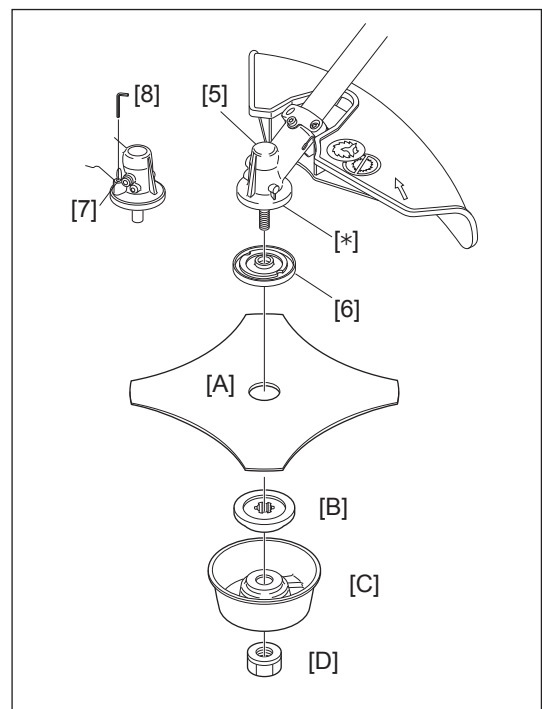
▶▶ Note

- The L type wrench [8] is included in the powerhead.

- 10** Turn the nut [D] with a combination wrench counterclockwise to fix them to the output shaft.

Torque : 16.7 to 21.6 N·m

Type of blade : Genuine 4 tooth grass cutting steel blade



▶▶ Note

- Loosening/tightening direction of this nut [D] is opposite to that of the regular nut.
- Removal must be performed in the opposite order of the installation procedure.
- Do not use a saw tooth blade. Only use a 4 tooth grass cutting steel blade.
- Do not use the grass debris shield for grass cutting steel blade (option) with the cutting line head.

9. Troubleshooting

In case of failure, follow the table below.

⚠ DANGER



When troubleshooting, stop the engine and then remove the attachment from the powerhead.

* If the engine starts during the work, hands or fingers could be severed by the moving parts or cutting head or blade.

Situation	Possible Cause	Correction
Output is not enough.	Throttle cable adjustment is faulty.	Refer to the powerhead manual.
	Engine concern	Refer to the powerhead manual.
	Line cutter and/or grass debris shield removed causing engine and clutch overload.	Install line cutter and/or grass debris shield.
Vibration is too large.	Poor balance of attachment	Tighten attach nut.
	Improper-installation of attachment	Check the installed status. Tighten attach nut.
	Looseness of connection of attachment	Contact your servicing dealer.
	Shaft tube is bent.	Contact your servicing dealer.
	Cutting head or blade is cracked or broken.	Contact your servicing dealer.
Blade is dull	Grass cutting steel blade (option) concern	Purchase a new blade.
Cutting head or blade does not move even if the engine speed is increased.	Gear has worn.	Contact your servicing dealer.

10. Servicing

For repair, handling method or cleaning, contact your servicing dealer.

■ When Requesting Repair

If there is any problem, try finding the cause and take measures according to “9. Troubleshooting”. If it does not solve the trouble, contact your servicing dealer.

■ Contact for Repair

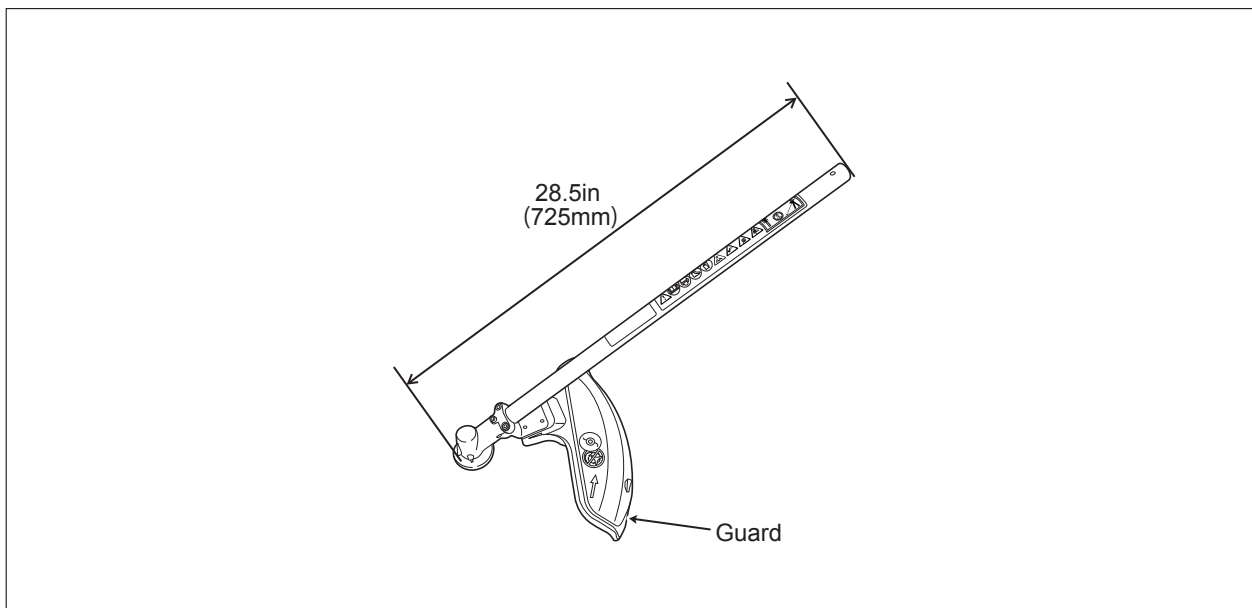
Contact your servicing dealer for repair.

Record serial No. (See “2.5 Position of Model and Serial No.”) in the space below. You will need this model code and serial No. when ordering parts, and when making technical or warranty inquiries.

Required information	
Name of product	Trimmer/brush cutter attachment
Model code & Serial No.	SSTA -
Purchased date	
Purchased from	

11. Technical data

		Model	SSST	
		Powerhead	UMC425A	UMC435A
		Handle	LOOP	LOOP
a)	Mass (without cutting attachment , guard and powerhead)	lb (kg)	3.1 (1.4)	
	Length (without cutting attachment , and powerhead)	in (mm)	28.5 (725)	
	Cutting diameter	in (mm)	φ16.5 (420) (Cutting-line head)	
	Maximum rotational speed of the spindle	rpm	6900	6900



How to Contact Honda

Honda Power Equipment dealership personnel are trained professionals. They should be able to answer any question you may have. If you encounter a problem that your dealer does not solve to your satisfaction, please discuss it with the dealership's management. The Service Manager or General Manager can help. Almost all problems are solved in this way.

If you are dissatisfied with the decision made by the dealership's management, contact the Honda Power Equipment Customer Relations Office. You can write:

American Honda Motor Co., Inc.
Power Equipment Division
Customer Relations Office
4900 Marconi Drive
Alpharetta, GA 30005-8847

Or telephone: (770) 497-6400 M-F, 8:30 a.m. - 7:00 p.m. ET

When you write or call, please give us this information:

- Model and serial numbers
- Name of the dealer who sold the product to you
- Name and address of the dealer who services your product
- Date of purchase
- Your name, address, and telephone number
- A detailed description of the problem



Distributor's Limited Warranty

NIKKARI ATTACHMENTS

This warranty is limited to the following Nikkari products when distributed by American Honda Motor Co., Inc., Power Equipment Division, 4900 Marconi Drive, Alpharetta, Georgia 30005.

PRODUCTS COVERED BY THIS WARRANTY:	LENGTH OF WARRANTY: (FROM DATE OF ORIGINAL RETAIL PURCHASE)	
	PRIVATE RESIDENTIAL ⁽¹⁾	COMMERCIAL/RENTAL/INSTITUTIONAL
Hand-Held Attachments		
SSST trimmer	36 months	24 months
SSBL blower		
SSCL cultivator		
SSET edger		
SSHH hedge trimmer		
SSPP pole pruner		

(1) Private residential: Used in maintaining owner's primary and/or secondary residence. Any other use, including but not limited to informal "for hire" use, is considered commercial/rental/institutional use.

To Qualify for This Warranty:

The product must be purchased in the United States, Puerto Rico, or the U.S. Virgin Islands from American Honda or a dealer authorized by American Honda to sell those attachments. This warranty applies to first retail purchaser and each subsequent owner during the applicable warranty time period, unless noted otherwise.

What American Honda Will Repair or Replace Under Warranty:

American Honda will repair or replace, at its option, any part that is proven to be defective in material or workmanship under normal use during the applicable warranty time period. Warranty repairs and replacements will be made without charge for parts or labor. Anything replaced under warranty becomes the property of American Honda Motor Company, Inc. All parts replaced under warranty will be considered as part of the original product, and any warranty on those parts will expire coincident with the original product warranty.

To Obtain Warranty Service:

You must, at your expense, take the Nikkari attachment and proof of purchase to any Honda Power Equipment dealer in the United States, Puerto Rico, or the U.S. Virgin Islands who is authorized to sell and/or service that product, during the dealer's normal business hours. To locate a dealer near you, visit our web site at <http://PowerEquipment.Honda.com> and click on Find a Dealer.

If you are unable to obtain warranty service or are dissatisfied with the warranty service you receive, contact the owner of the dealership involved; normally this will resolve the problem. However, if you should require further assistance, write or call the Power Equipment Customer Relations Department of American Honda Motor Co., Inc. at the following address:

American Honda Motor Co., Inc.
Power Equipment Customer Relations Dept.
4900 Marconi Drive
Alpharetta, GA 30005-8847
Telephone: (770) 497-6400

Exclusions:

- Any damage or deterioration resulting from the following:
 - Neglect of the periodic maintenance as specified in the product owner's manual
 - Improper repair or maintenance
 - Operating methods other than those indicated in the product owner's manual
 - A low fluid level or the use of fluids other than specified by Nikkari.
 - Exposure of the product to soot and smoke, bird droppings, sea water, salt, rain, corrosive chemical agents, or extreme weather conditions
 - Collision, fuel contamination or deterioration, neglect, unauthorized alteration, misuse, incorporation or use of unsuitable attachments or parts
 - Normal wear and tear (including, but not limited to, normal fading of painted or plated surfaces, sheet peeling, and other natural deterioration)
- Consumable parts: Honda does not warrant parts deterioration due to normal wear and tear. The following parts are not covered by this warranty unless they are needed during another repair covered under this warranty: spark plug, fuel filter, air cleaner element, clutch disc, tire, wheel bearing, recoil starter rope, cable, belt, cutter blade, oil, and grease.
- Cleaning, adjustment, and normal periodic maintenance work (blade sharpening, belt and cable adjustments).
- Any product that has ever been declared a total loss or sold for salvage by a financial institution or insurer. This exclusion does not apply to any recalls or other campaigns.
- Tiller tines of roto-tillers are specifically not warranted against impact damage including, but not limited to, abrasive damage.

Disclaimer of Consequential Damage and Limitation of Implied Warranties:

American Honda disclaims any responsibility for loss of time or use of the product, transportation, commercial loss, or any other incidental or consequential damage. Any implied warranties are limited to the duration of this written limited warranty. Some states do not allow limitations on how long an implied warranty lasts and/or do not allow the exclusion or limitation of incidental or consequential damages, therefore the above exclusions and limitations may not apply to you. This warranty gives you specific legal rights, and you may also have other rights, which vary from state to state.

American Honda Motor Co., Inc.
July 2015

PRODUCT REGISTRATION

Thank you for choosing Honda. To ensure you receive important service information in the event of a product update or recall, please register your trimmer/brush cutter within 30 days of purchase.

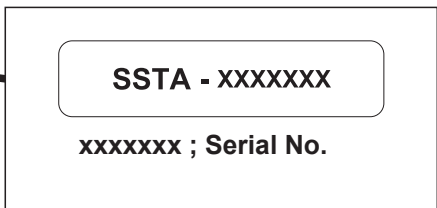
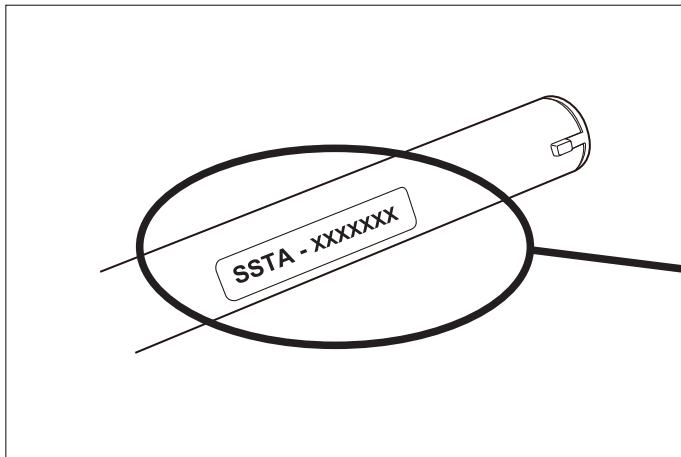
From time to time, American Honda conducts sales promotion that require you to register your trimmer/brush cutter within 30 days of purchase. If you purchased your Honda trimmer/brush cutter during one of these promotions, you must register your trimmer/brush cutter within 30 days.

Your information will remain confidential. It will not be released to any other company or organization.

Failure to register your trimmer/brush cutter does not diminish your warranty rights.

Please complete and mail the postage paid card or register online at <http://powerequipment.honda.com>

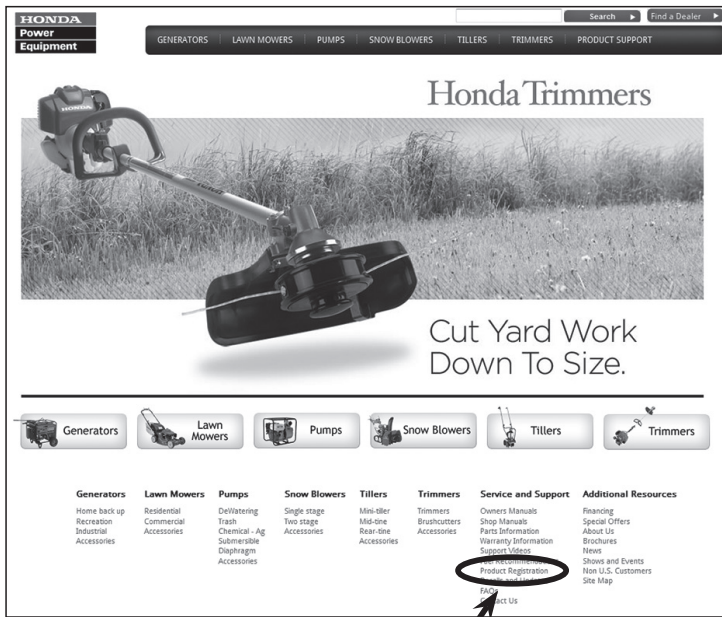
Please register your trimmer/brush cutter attachment, even if you've already registered your UMC425 or UMC435 powerhead.



Print the serial number here.

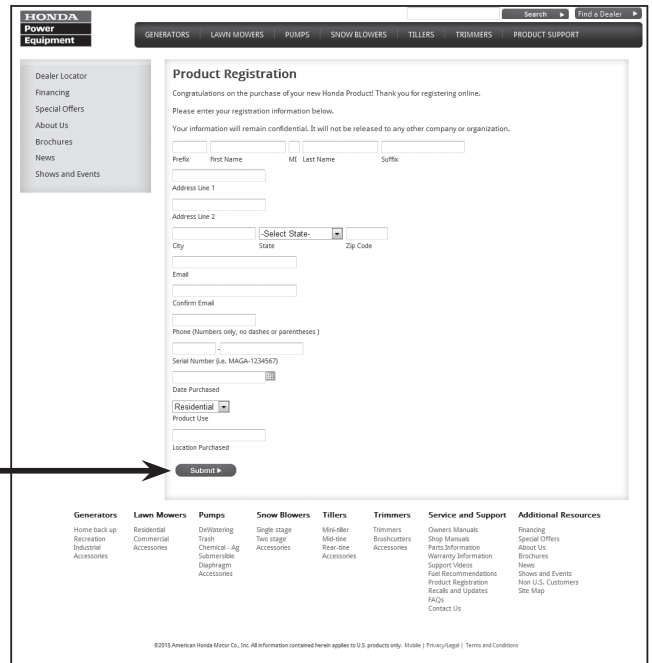
Serial number	<input type="text"/>	* Dealer Store number	<input type="text"/>	* Dealer ZIP code	<input type="text"/>
Owner's Last Name	<input type="text"/>	First Name	<input type="text"/>	* If available	
Company Name <small>(commercial/rental users)</small>	<input type="text"/>	Telephone	<input type="text"/>	<input type="text"/>	<input type="text"/>
Address	<input type="text"/>				
City	<input type="text"/>	State	<input type="text"/>	ZIP Code	<input type="text"/>
E-mail address	<input type="text"/>				
Date of Purchase	<input type="text"/>	<input type="text"/>	<input type="text"/>	Purchased Via <small>(check one)</small>	
	MONTH	DAY	YEAR	<input type="checkbox"/> In Store	<input type="checkbox"/> Online
Application <small>(check one)</small>	<input type="checkbox"/> Commercial <small>(professional use)</small>	<input type="checkbox"/> Non-commercial <small>(private, homeowner use)</small>	<input type="checkbox"/> Rental <small>(for-hire use)</small>		

1. Go to www.PowerEquipment.Honda.com to register your unit.



2. Click on **Product Registration**.

3. Complete the required information and click **Submit**.
It's that simple!



Product Registration



NO POSTAGE
NECESSARY
IF MAILED
IN THE
UNITED STATES

BUSINESS REPLY MAIL

FIRST-CLASS MAIL PERMIT NO. 117 ALPHARETTA GA

POSTAGE WILL BE PAID BY ADDRESSEE

Power Equipment Division
American Honda Motor Co. Inc.
4900 Marconi Dr
Alpharetta GA 30005-9956



E1460-0
UT1182