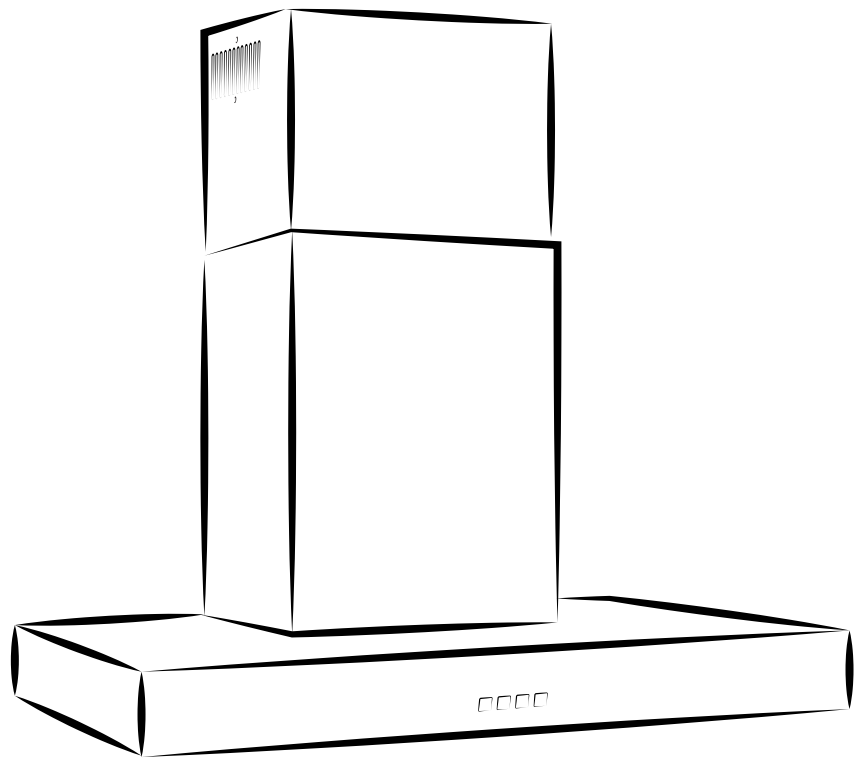


NUTONE

# CHIMNEY RANGE HOOD

NW330SS

INSTALLATION, USE  
AND CARE MANUAL



Serial number:

## ⚠ INTENDED FOR DOMESTIC COOKING ONLY ⚠

### READ AND SAVE THESE INSTRUCTIONS

INSTALLER: LEAVE THIS MANUAL WITH HOMEOWNER.

HOMEOWNER: USE AND CARE INFORMATION ON PAGES 9 AND 10.

Register your range hood online at [www.nutone.com](http://www.nutone.com)

#### **WARNING**



**TO REDUCE THE RISK OF FIRE, ELECTRIC SHOCK OR INJURY TO PERSONS, OBSERVE THE FOLLOWING:**

1. Use this unit only in the manner intended by the manufacturer. If you have questions, contact the manufacturer at the address or telephone number listed in the warranty.
2. Before servicing or cleaning unit, switch power off at service panel and lock service disconnecting means to prevent power from being switched on accidentally. When the service disconnecting means cannot be locked, securely fasten a prominent warning device, such as a tag, to the service panel.
3. Installation work and electrical wiring must be done by qualified personnel in accordance with all applicable codes and standards, including fire-rated construction codes and standards.
4. Sufficient air is needed for proper combustion and exhausting of gases through the flue (chimney) of fuel burning equipment to prevent backdrafting. Follow the heating equipment manufacturer's guidelines and safety standards such as those published by the National Fire Protection Association (NFPA) and the American Society for Heating, Refrigeration and Air Conditioning Engineers (ASHRAE) and the local code authorities.
5. When cutting or drilling into wall or ceiling, do not damage electrical wiring and other hidden utilities.
6. Ducted fans must always be vented to the outdoors.
7. Do not use this unit with any solid-state speed control device.
8. To reduce the risk of fire, use only metal ductwork.
9. This unit must be grounded.
10. To provide protection against electric shock, connect to properly grounded outlets only.
11. When applicable local regulations comprise more restrictive installation and/or certification requirements, the aforementioned requirements prevail on those of this document and the installer agrees to conform to these at his own expense.

**TO REDUCE THE RISK OF A RANGE TOP GREASE FIRE:**

- a) Never leave surface units unattended at high settings. Boilovers cause smoking and greasy spillovers that may ignite. Heat oils slowly on low or medium settings.
- b) Always turn hood ON when cooking at high heat or when flambeing food (i.e.: Crêpes Suzette, Cherries Jubilee, Peppercorn Beef Flambé).
- c) Clean ventilating fans frequently. Grease should not be allowed to accumulate on fan, filters or in exhaust ducts.
- d) Use proper pan size. Always use cookware appropriate for the size of the surface element.

#### **WARNING**



**TO REDUCE THE RISK OF INJURY TO PERSONS IN THE EVENT OF A RANGE TOP GREASE FIRE, OBSERVE THE FOLLOWING\*:**

1. SMOTHER FLAMES with a close-fitting lid, cookie sheet or metal tray, then turn off the burner. BE CAREFUL TO PREVENT BURNS. IF THE FLAMES DO NOT GO OUT IMMEDIATELY, EVACUATE AND CALL THE FIRE DEPARTMENT.
2. NEVER PICK UP A FLAMING PAN — You may be burned.
3. DO NOT USE WATER, including wet dishcloths or towels — This could cause a violent steam explosion.
4. Use an extinguisher ONLY if:
  - A. You own a Class ABC extinguisher and you know how to operate it.
  - B. The fire is small and contained in the area where it started.
  - C. The fire department has been called.
  - D. You can fight the fire with your back to an exit.

\* Based on "Kitchen Fire Safety Tips" published by NFPA.

#### **CAUTION**

1. For indoor use only.
2. For general ventilating use only. Do not use to exhaust hazardous or explosive materials and vapors.
3. To avoid motor bearing damage and noisy and/or unbalanced impeller, keep drywall spray, construction dust, etc. off power unit.
4. Your hood motor has a thermal overload which will automatically shut off the motor if it becomes overheated. The motor will restart when it cools down. If the motor continues to shut off and restart, have the hood serviced.
5. The minimum hood distance above cooktop must not be less than 26". For best capture of cooking impurities, the bottom of the hood should be at a maximum of 30" above cooking surface. **For a gas range**, the bottom of the hood MUST NOT BE LESS than 30" above cooktop.
6. Two installers are recommended because of the large size and weight of this unit.
7. To reduce the risk of fire and to properly exhaust air, be sure to duct air outside — Do not exhaust air into spaces within walls or ceiling or into attics, crawl space or garage.
8. Because of the high exhausting capacity of this unit, you should make sure enough air is entering the house to replace exhausted air by opening a window close to or in the kitchen.
9. To reduce the risk of fire and electrical shock, the NuTone NW3 Series models should only be installed with their own built-in blower.
10. When used in recirculation mode, to reduce the risk of fire and shock, use only conversion kit model RK56.
11. Please read specification label on product for further information and requirements.

# TABLE OF CONTENTS

1. PREPARE INSTALLATION . . . . .	3	9. DUCT CONNECTION . . . . .	6
2. SELECT INSTALLATION TYPE . . . . .	3	10. PREPARE THE DECORATIVE FLUE . . . . .	7
3. WIRING INSTALLATION . . . . .	4	11. INSTALL THE DECORATIVE FLUE . . . . .	7-8
4. INSTALL HOOD MOUNTING BRACKET . . . . .	4	12. REINSTALL GREASE FILTERS . . . . .	8
5. INSTALL UPPER FLUE MOUNTING BRACKET . . . . .	5	13. OPERATION . . . . .	9
6. REMOVE GREASE FILTERS . . . . .	5	14. CARE . . . . .	10
7. INSTALL 6" ROUND ADAPTER/DAMPER . . . . .	5	15. REPLACEMENT PARTS . . . . .	11
8. INSTALL THE HOOD . . . . .	5	16. WARRANTY . . . . .	12

## 1. PREPARE INSTALLATION

NOTE: Before proceeding to the installation, check the contents of the box. If items are missing or damaged, contact the retailer.

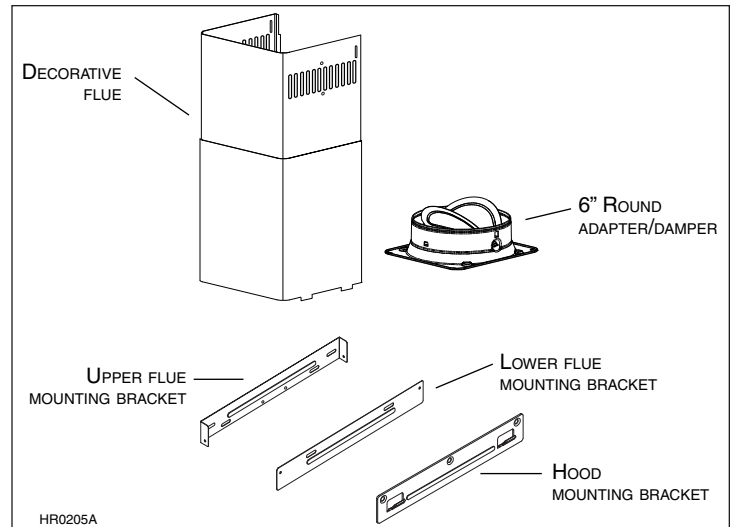
Make sure that the following items are included:

- Hood
- Decorative flue assembly (lower and upper flues)
- Hood mounting bracket
- Lower flue mounting bracket
- Upper flue mounting bracket
- 2 Aluminum grease filters
- 6" Round adapter/damper
- Installation instructions
- Parts bag: 8 no. 8 x 5/16" mounting screws,  
7 no. 8 x 1½" mounting screws,  
7 drywall anchors, 2 washers

Parts sold separately:

- Ducts, elbows, wall and roof caps.
- Non-duct kit model RK56, mandatory for non-ducted installation.

NOTE: During installation, protect countertop and/or cooktop.



## 2. SELECT INSTALLATION TYPE

### ⚠ WARNING

When performing installation, servicing or cleaning the unit, it is recommended to wear safety glasses and gloves.

### 2.1 NON-DUCTED INSTALLATION

The RK56 non-duct kit is required for a non-ducted installation.

### 2.2 DUCTED INSTALLATION

Plan where and how the ductwork will be installed.

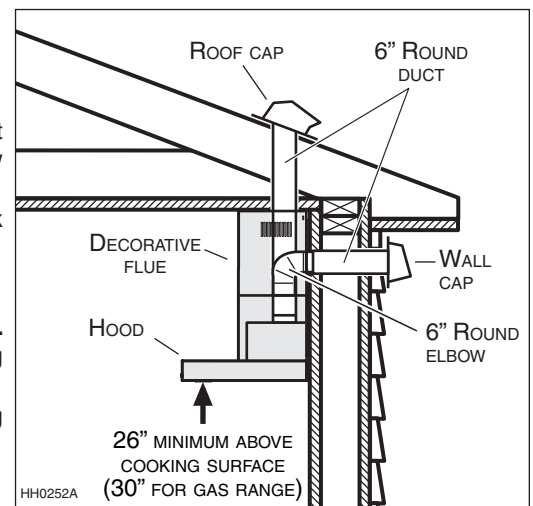
A straight, short duct run will allow the hood to perform most efficiently. Long duct runs, elbows and transitions will reduce the performance of the hood. Use as few of them as possible. Larger ducting may be required for longer duct runs.

Install wall or roof cap. Connect 6" round metal ductwork to cap and work back towards the hood location. Use 2" metal foil duct tape to seal the joints.

### 2.3 ALL INSTALLATIONS

**The minimum hood distance above cooktop is 26" (30" over a gas range). A maximum of 30" above cooktop is recommended for best capture of cooking impurities.**

Distances over 30" are at the installer and users discretion providing that ceiling height and decorative flue length allow it.



### 3. WIRING INSTALLATION

#### ⚠ WARNING

Electrical wiring must be done by qualified person(s) in accordance with all applicable codes and standards. This range hood must be properly grounded. Turn off electrical power at service entrance before wiring.

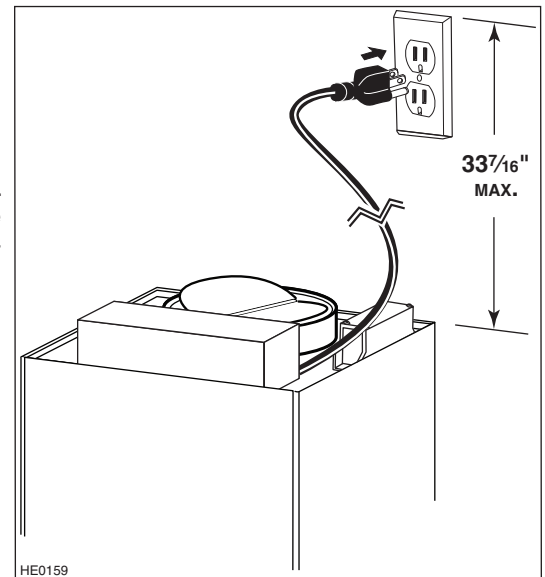
#### GROUNDING INSTRUCTIONS

This appliance must be grounded. In the event of an electrical short circuit, grounding reduces the risk of electric shock by providing an escape wire for the electric current. This appliance is equipped with a cord having a grounding wire with a grounding plug. The plug must be plugged into an outlet that is properly installed and grounded. Set the electrical power supply within the space covered by the decorative flue.

#### ⚠ WARNING

Improper grounding can result in a risk of electric shock. Consult a qualified electrician if the grounding instructions are not completely understood, or if doubt exists as to whether the appliance is properly grounded. Do not use an extension cord. If the power supply cord is too short, have a qualified electrician install an outlet near the appliance.

Position the outlet offset so that the power cord will not interfere with the round duct. Place the outlet at a maximum distance of  $33\frac{7}{16}$ " from where the cord exits from the hood (see illustration at right). Make sure this does not interfere with a mounting bracket fastening area or with the decorative flue (where the flue touches the wall).

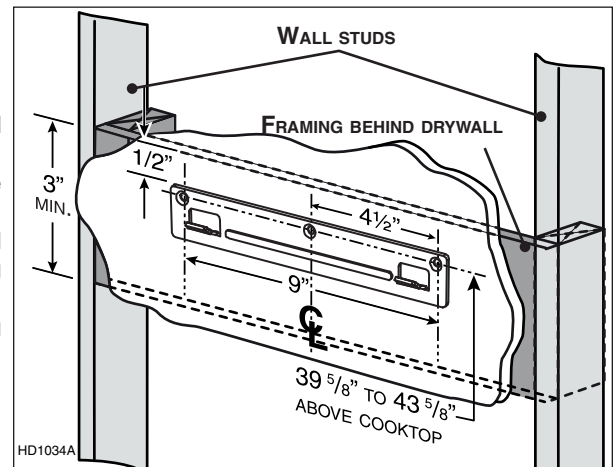


### 4. INSTALL HOOD MOUNTING BRACKET

#### ⚠ WARNING

- When cutting or drilling into wall, do not damage electrical wiring and other hidden utilities.
- When building framework, always follow all applicable construction codes and standards.

Construct wood wall framing that is even with the surface of wall studs. Wood wall framing must be at least  $\frac{1}{2}$ " thick and 3" high. Fasten wood wall framing to wall studs for a solid installation. Make sure that the height of the framing will allow the mounting bracket to be secured to the framing within the dimensions shown. **After wall surface is finished**, carefully center and level the hood mounting bracket over installation location. Secure it to wall framing using 3 no. 8 x  $1\frac{1}{2}$ " screws. Using a level, draw a vertical line up to the ceiling starting from the mounting bracket center.



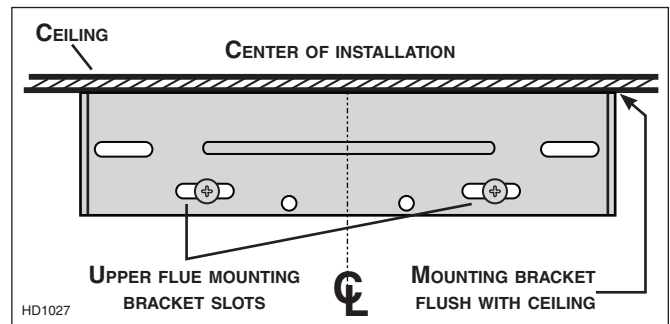
$39\frac{5}{8}$ " = BOTTOM OF HOOD 26" ABOVE COOKTOP  
 $43\frac{5}{8}$ " = BOTTOM OF HOOD 30" ABOVE COOKTOP

## 5. INSTALL UPPER FLUE MOUNTING BRACKET

Center the upper flue mounting bracket with the center line previously drawn in step 4 and place it flush with the ceiling. Make sure that the slots of the upper flue bracket point down. Use the upper flue mounting bracket as a template to mark the position of its screws.

Drill both screw holes using a 5/16" drill bit. Insert the included drywall anchors into the drilled holes (one per hole).

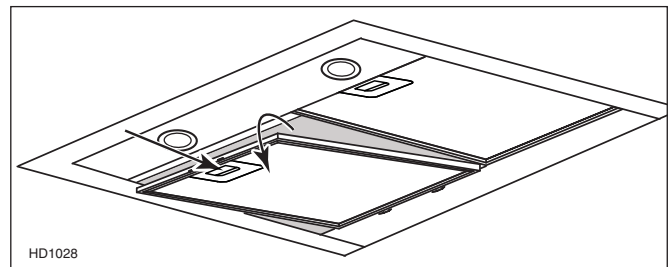
Secure the upper flue mounting bracket to the wall using 2 no. 8 x 1½" mounting screws. Make sure that the bracket is tight against the wall.



## 6. REMOVE GREASE FILTERS

Lay the back side of the hood flat on a table. Use a piece of cardboard to avoid damaging the table or the hood.

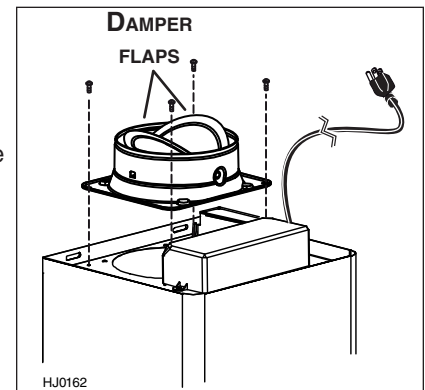
To remove the grease filters, pull down on the metal latch tab and tilt each filter downward. Set filters aside.



## 7. INSTALL 6" ROUND ADAPTER/DAMPER

Mount the 6" round adapter/damper (included) using 4 no. 8 x 5/16" screws (included). Seal the adapter/damper to the hood using metal foil duct tape.

**NON-DUCTED INSTALLATION:** Remove both damper flaps.



## 8. INSTALL THE HOOD

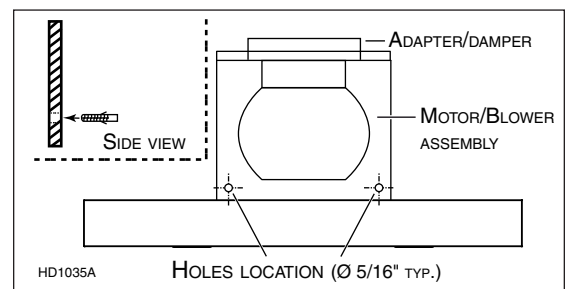
### ⚠ WARNING

**BE CAREFUL** when installing the decorative flue and hood, they may have sharp edges.

### CAUTION

**DO NOT REMOVE** the protective plastic film covering the decorative flue (upper & lower) yet.

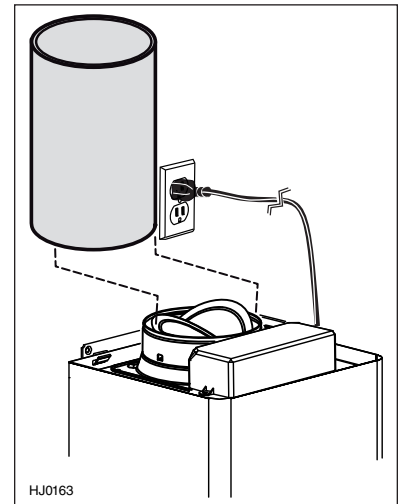
1. Align the hood and center it above the hood mounting bracket. Gently lower the hood until it securely engages the bracket.
2. Level the hood.
3. With the hood hanging in place, drill through both holes located in the inside lower back of hood using a 5/16" drill bit (see illustration at right).
4. Insert the included drywall anchors into the drilled holes (one for each hole).
5. Verify that the hood is still centered and leveled.
6. Secure the hood to the wall using 2 no. 8 x 1½" screws and 2 washers. Tighten both screws completely.



## 9. DUCT CONNECTION

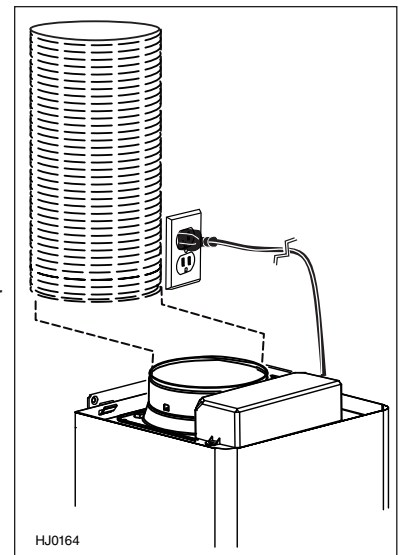
### DUCTED INSTALLATION:

Plug hood power cord into the outlet. Slide a 6" round metal duct section over the adapter/damper on the hood. Use metal foil duct tape to seal the joint.

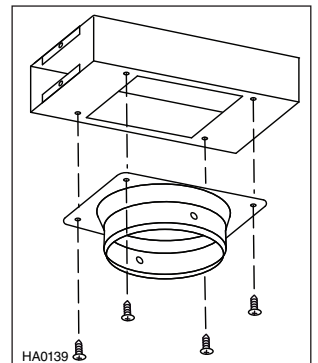


### NON-DUCTED INSTALLATION:

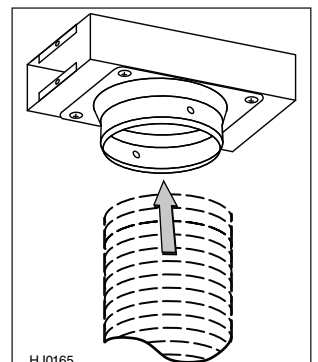
Plug hood power cord into the outlet. Slide the 6" round flexible metal duct (included in the non-duct kit) over the adapter (without damper flaps) on the hood; attach with one included tie-wrap. Use metal foil duct tape to seal the joint.



Using 4 ST4 x 8 provided screws, assemble the 6" round adapter to the plenum.

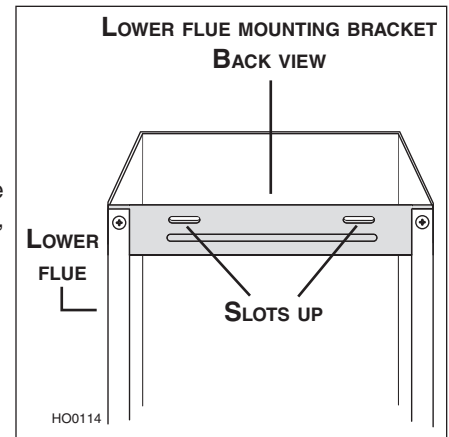


Attach the aluminum flexible duct to the non-duct plenum collar. Secure with tie wrap and seal with metal foil duct tape.



## 10. PREPARE THE DECORATIVE FLUE

Remove the upper flue from inside the lower flue. Remove protective plastic film covering the lower flue only. Install the lower flue bracket to its flue using 2 no. 8 x 5/16" mounting screws, ensure that the slots point up.

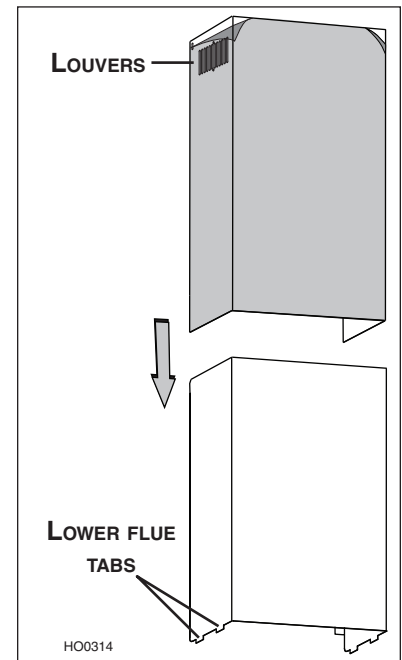


Peel off both corners at the top of the upper flue.

NOTE: For non-ducted installation only, remove enough plastic film to clear the louvers.

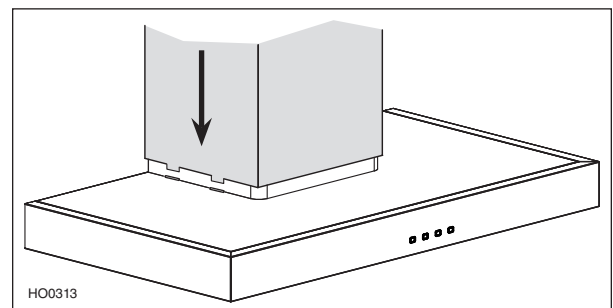
Position the lower flue tabs down.

Gently slide upper flue inside lower flue, louvers end up.



## 11. INSTALL THE DECORATIVE FLUE

Carefully place decorative flue base on the top of the hood, inserting tabs on bottom edges of lower flue into slots on top of hood (2 tabs per side).



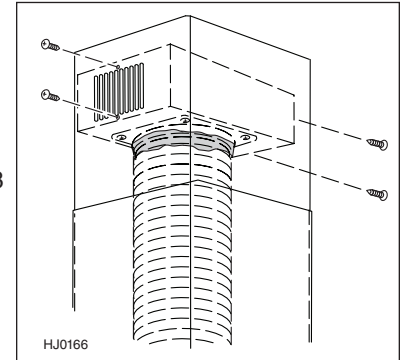
## 11. INSTALL THE DECORATIVE FLUE (CONTINUED)

### DUCTED INSTALLATION:

Attach the 6" round duct section to the rest of the ducting. Use metal foil duct tape to seal the joint.

### NON-DUCTED INSTALLATION:

Pull the upper flue up and attach the non-duct plenum with collar to the upper flue using 4 ST4 x 8 provided screws.

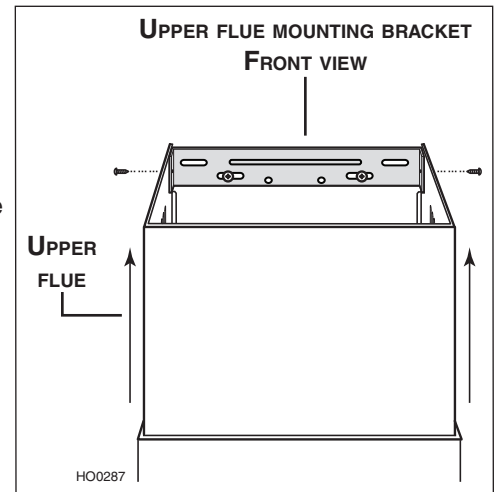


### ALL INSTALLATIONS:

Slide up the upper flue until it is aligned with its mounting bracket. The bracket must be inside the flue. Secure the upper flue to its bracket using 2 no. 8 x 5/16" mounting screws.

NOTE: Duct (or non-duct plenum) not shown in illustration to ease understanding.

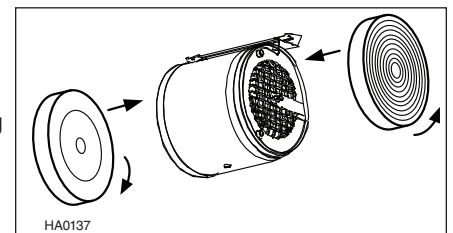
Remove protective plastic film covering the upper flue and the hood.



## 12. REINSTALL GREASE FILTERS

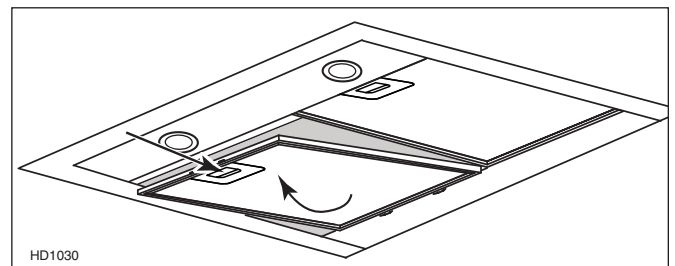
### NON-DUCTED INSTALLATION:

Attach two non-duct recirculation filters to sides of blower by aligning key lock slot and rotating until filters lock into place.



### ALL INSTALLATIONS:

To reinstall the grease filters, align rear filter tabs with slots in the hood. Pull down the metal latch tab, push each filter into position and release. Make sure filters are securely engaged after installation.



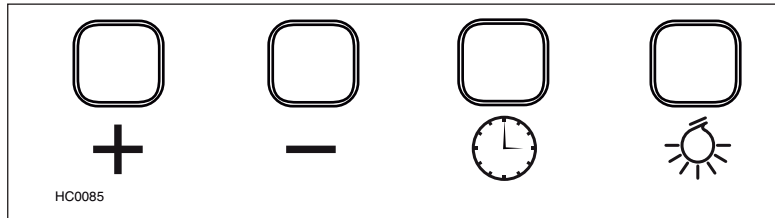


## 13. OPERATION

---

Always turn your hood on before you begin cooking to establish an air flow in the kitchen. Let the blower run for a few minutes to clear the air after you turn off the range. This will help keep the whole kitchen cleaner and brighter.

NOTE: When pressed, the chosen push button beeps and its indicator lights up blue.



### **+ BLOWER ON / SPEED INCREASE PUSH BUTTON (DOUBLE FUNCTION PUSH BUTTON):**

Press one time on this push button to activate the blower at low speed, a second time for medium speed and a third time for high speed.

NOTE: When blower is turned on, 100% of power level is activated during 1 to 2 seconds acting as a "kick-start." It will then operate at the desired setting.

### **- BLOWER OFF / SPEED DECREASE PUSH BUTTON (DOUBLE FUNCTION PUSH BUTTON):**

Press on this push button to lower the blower speed. If need be, press until the blower stops.

### **🕒 DELAY SETTING PUSH BUTTON:**

To set delay, press this push button when blower and/or lights are in use. Blower and/or lights will continue to operate for 10 minutes and then will stop automatically (the delay setting push button indicator will blink during the 10 minutes to indicate that the delay has been activated). To cancel delay function, press on this push button again, the blower and/or lights will continue to operate and won't stop until Blower OFF / Speed decrease push button and/or Lighting push button is pressed.

### **☀️ LIGHTING PUSH BUTTON:**

Press once on this push button to turn the lights on. Press once more to turn the lights off.

# 14. CARE

---

## Grease Filters

Grease filters should be cleaned frequently. Use a warm dishwashing detergent solution to clean the filters.

Clean all-metal filters using a non-phosphate detergent. Discoloration of the filters may occur if using phosphate detergents, or as a result of local water conditions - but this will not affect filter performance. This discoloration is not covered by the warranty. To minimize or prevent discoloration, hand wash filters using a mild detergent.

## Non-ducted Filters

Change the non-duct recirculation filters every 6 months. Rotate the filters to remove them from the blower and replace; purchase S97018030 or ROUNDFILTER.

## Hood Cleaning

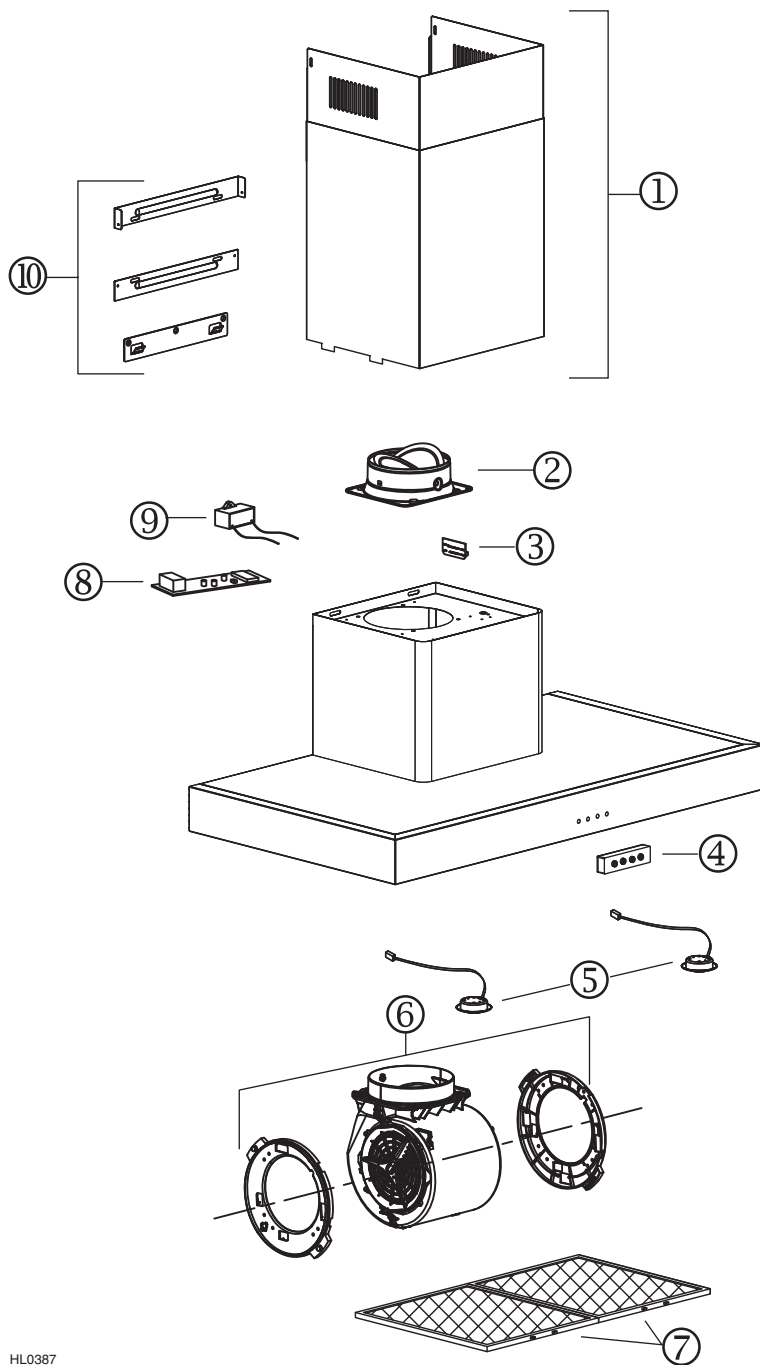
Stainless Steel Cleaning:

Do:	Don't:
<ul style="list-style-type: none"><li>• Regularly wash with clean cloth or rag soaked with warm water and mild soap or liquid dish detergent.</li><li>• Always clean in the direction of original polish lines.</li><li>• Always rinse well with clear water (2 or 3 times) after cleaning. Wipe dry completely.</li><li>• You may also use a specialized household stainless steel cleaner.</li></ul>	<ul style="list-style-type: none"><li>• Use any steel or stainless steel wool or any other scrapers to remove stubborn dirt.</li><li>• Use any harsh or abrasive cleansers.</li><li>• Allow dirt to accumulate.</li><li>• Let plaster dust or any other construction residues reach the hood. During construction/renovation, cover the hood to make sure no dust sticks to stainless steel surface.</li></ul>

## Avoid when choosing a detergent:

- Any cleaners that contain **bleach** will attack stainless steel.
- Any products containing: **chloride, fluoride, iodide, bromide** will deteriorate surfaces rapidly.
- Any combustible products used for cleaning such as **acetone, alcohol, ether, benzol**, etc., are highly explosive and should never be used close to a range.

# 15. REPLACEMENT PARTS



### REPLACEMENT PARTS AND REPAIRS

In order to ensure your unit remains in good working condition, you must use Broan-NuTone LLC genuine replacement parts only. Broan-NuTone LLC genuine replacement parts are specially designed for each unit and are manufactured to comply with all the applicable certification standards and maintain a high standard of safety. Any third party replacement part used may cause serious damage and drastically reduce the performance level of your unit, which will result in premature failing. Broan-NuTone LLC recommends to contact a certified service depot for all replacement parts and repairs.

HL0387

KEY NO.	PART NO.	DESCRIPTION	QUANTITY
1	S99528930	DECORATIVE UPPER AND LOWER FLUES	1
2	S99526983	ADAPTER/DAMPER	1
3	S99528926	LED DRIVER	1
4	S99528925	CONTROL ASS'Y	1
5	S99528927	LED LIGHTS (SET OF 2)	1
6	S99528361	MOTOR AND BLOWER ASSEMBLY	1
7	S97018027	ALUMINUM GREASE FILTERS (SET OF 2)	1
8	S99528928	PCB	1
9	S99527662	CAPACITOR	1
10	S99528931	BRACKET KIT (SET OF 3)	1
*	S99528455	PARTS BAG INCLUDING: 8 NO. 8 x 5/16" MOUNTING SCREWS, 7 NO. 8 x 1/2" MOUNTING SCREWS, 7 DRYWALL ANCHORS, 2 WASHERS.	1

\* NOT SHOWN.

## 16. WARRANTY

---

### Limited Warranty

**Warranty Period and Exclusions:** Broan-NuTone LLC (the "Company") warrants to the original consumer purchaser of its product ("you") that the product (the "Product") will be free from material defects in the Product or its workmanship for a period of one (1) year from the date of original purchase (or such longer period as may be required by applicable law). The limited warranty period for any replacement parts provided by the Company and for any Products repaired or replaced under this limited warranty shall be the remainder of the original warranty period (or such longer period as may be required by applicable law).

This warranty does not cover fluorescent lamp starters, tubes, halogen and incandescent bulbs, fuses, filters, ducts, roof caps, wall caps and other accessories for ducting that may be purchased separately and installed with the Product. This warranty also does not cover (a) normal maintenance and service, (b) normal wear and tear, (c) any Products or parts which have been subject to misuse, abuse, abnormal usage, negligence, accident, improper or insufficient maintenance, storage or repair (other than repair by the Company), (d) damage caused by faulty installation, or installation or use contrary to recommendations or instructions, (e) any Product that has been moved from its original point of installation, (f) damage caused by environmental or natural elements, (g) damage in transit, (h) natural wear of finish, (i) Products in commercial or nonresidential use, or (j) damage caused by fire, flood or other act of God or (k) Products with altered, defaced or removed serial numbers. This warranty covers only Products sold to original consumers in the United States by the Company or its U.S. distributors authorized by the Company. This warranty supersedes all prior warranties and, subject to applicable law, is not transferable from the original consumer purchaser.

**No Other Warranties:** This Limited Warranty contains the Company's sole obligation and your sole remedy for defective products. The foregoing warranties are exclusive and in lieu of any other warranties and conditions, express or implied. **THE COMPANY DISCLAIMS AND EXCLUDES ALL OTHER EXPRESS WARRANTIES AND CONDITIONS, AND DISCLAIMS AND EXCLUDES ALL WARRANTIES AND CONDITIONS IMPLIED BY LAW, INCLUDING WITHOUT LIMITATION THOSE OF MERCHANTABILITY AND FITNESS FOR A PARTICULAR PURPOSE.** To the extent that applicable law prohibits the exclusion of implied warranties or conditions, the duration of any applicable implied warranty or condition is limited to the period specified for the express warranty above. Some jurisdictions do not allow limitations on how long an implied warranty lasts, so the above limitation may not apply to you. Any oral or written description of the Product is for the sole purpose of identifying it and shall not be construed as an express warranty.

Whenever possible, each provision of this Limited Warranty shall be interpreted in such manner as to be effective and valid under applicable law, but if any provision is held to be prohibited or invalid, such provision shall be ineffective only to the extent of such prohibition or invalidity, without invalidating the remainder of such provision or the other remaining provisions of the Limited Warranty.

**Remedy:** During the applicable limited warranty period, the Company will, at its option, provide replacement parts for, or repair or replace, without charge, any Product or part thereof, to the extent the Company finds it to be covered by and in breach of this limited warranty under normal use and service. The Company will ship the repaired or replaced Product or replacement parts to you at no charge. You are responsible for all costs for removal, reinstallation and shipping, insurance or other freight charges incurred in the shipment of the Product or part to the Company. If you must send the Product or part to the Company, as instructed by the Company, you must properly pack the Product or part—the Company is not responsible for damage in transit. The Company reserves the right to utilize reconditioned, refurbished, repaired or remanufactured Products or parts in the warranty repair or replacement process. Such Products and parts will be comparable in function and performance to an original Product or part and warranted for the remainder of the original warranty period (or such longer period as may be required by applicable law).

Company reserves the right, in its sole discretion, to refund the money actually paid by you for the Product in lieu of repair or replacement. If the Product or component is no longer available, replacement may be made with a similar product of equal or greater value, at Company's sole discretion. This is your sole and exclusive remedy for breach of this limited warranty.

**Exclusion of Damages: THE COMPANY'S OBLIGATION TO PROVIDE REPLACEMENT PARTS, OR REPAIR, REPLACE OR REFUND, AT THE COMPANY'S OPTION, SHALL BE YOUR SOLE AND EXCLUSIVE REMEDY UNDER THIS LIMITED WARRANTY AND THE COMPANY'S SOLE AND EXCLUSIVE OBLIGATION. THE COMPANY SHALL NOT BE LIABLE FOR INCIDENTAL, INDIRECT, CONSEQUENTIAL OR SPECIAL DAMAGES ARISING OUT OF OR IN CONNECTION WITH THE PRODUCT, ITS USE OR PERFORMANCE.** Incidental damages include but are not limited to such damages as loss of time and loss of use. Consequential damages include but are not limited to the cost of repairing or replacing other property which was damaged if the Product does not work properly.

**THE COMPANY SHALL NOT BE LIABLE TO YOU, OR TO ANYONE CLAIMING UNDER YOU, FOR ANY OTHER OBLIGATIONS OR LIABILITIES, INCLUDING, BUT NOT LIMITED TO, OBLIGATIONS OR LIABILITIES ARISING OUT OF BREACH OF CONTRACT OR WARRANTY, NEGLIGENCE OR OTHER TORT OR ANY THEORY OF STRICT LIABILITY, WITH RESPECT TO THE PRODUCT OR THE COMPANY'S ACTS OR OMISSIONS OR OTHERWISE.**

Some jurisdictions do not allow the exclusion or limitation of incidental or consequential damages, so the above limitation or exclusion may not apply to you. This warranty gives you specific legal rights, and you may also have other rights, which vary from jurisdiction to jurisdiction. The disclaimers, exclusions, and limitations of liability under this warranty will not apply to the extent prohibited by applicable law.

This warranty covers only replacement or repair of defective Products or parts thereof at the Company's main facility and does not include the cost of field service travel and living expenses.

Any assistance the Company provides to or procures for you outside the terms, limitations or exclusions of this limited warranty will not constitute a waiver of such terms, limitations or exclusions, nor will such assistance extend or revive the warranty.

The Company will not reimburse you for any expenses incurred by you in repairing or replacing any defective Product, except for those incurred with the Company's prior written permission.

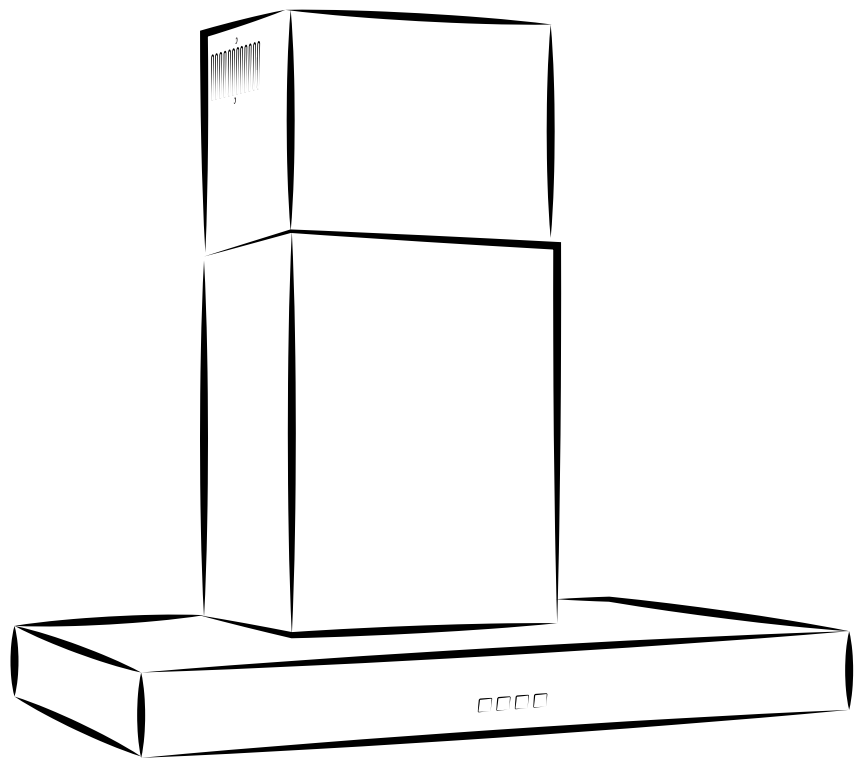
**How to Obtain Warranty Service:** To qualify for warranty service, you must (a) notify the Company at the address or telephone number stated below within seven (7) days of discovering the covered defect, (b) give the model number and part identification and (c) describe the nature of any defect in the Product or part. At the time of requesting warranty service, you must present evidence of the original purchase date. If you cannot provide a copy of the original written limited warranty, then the terms of the Company's most current written limited warranty for your particular product will control. The most current limited written warranties for the Company's products can be found at [www.nutone.com](http://www.nutone.com).  
Broan-NuTone LLC 926 West State Street, Hartford, WI. 53027 www.nutone.com 1-888-336-3948

NUTONE

# HOTTE CHEMINÉE

NW330SS

MANUEL D'INSTALLATION,  
D'UTILISATION ET D'ENTRETIEN



Numéro de série :

# ⚠ CONÇUE POUR USAGE RÉSIDENTIEL SEULEMENT ⚠

## LIRE ET CONSERVER CES DIRECTIVES

INSTALLATEUR : LAISSER CE GUIDE AU PROPRIÉTAIRE.

PROPRIÉTAIRE : DIRECTIVES D'UTILISATION ET D'ENTRETIEN AUX PAGES 9 ET 10.

Enregistrez votre hotte en ligne à [www.nutone.com](http://www.nutone.com).

### ⚠ AVERTISSEMENT

**AFIN DE RÉDUIRE LES RISQUES D'INCENDIE, D'ÉLECTROCUTION OU DE BLESSURES CORPORELLES, SUIVEZ LES DIRECTIVES SUIVANTES :**

1. N'utilisez cet appareil que de la façon prévue par le fabricant. Si vous avez des questions, contactez le fabricant à l'adresse ou au numéro de téléphone indiqués dans la garantie.
2. Avant de réparer ou de nettoyer l'appareil, couper l'alimentation électrique en verrouillant le panneau de distribution afin d'éviter sa remise en marche accidentelle. Si le panneau de distribution ne peut être verrouillé, y fixer un avertissement en évidence, telle qu'une étiquette de couleur vive.
3. Les travaux d'installation et de raccordement électrique doivent être effectués par une personne qualifiée, conformément aux codes et aux standards de construction, incluant ceux concernant la protection contre les incendies.
4. Une quantité d'air adéquate est requise afin d'assurer une bonne combustion et l'évacuation des gaz par la cheminée dans le cas des équipements alimentés au gaz afin de prévenir les retours de cheminée. Conformez-vous aux instructions et aux standards de sécurité des fabricants d'équipement de chauffage, tel qu'ils sont publiés par la National Fire Protection Association (NFPA) et l'American Society for Heating, Refrigeration and Air Conditioning Engineers (ASHRAE) ainsi que les responsables des codes locaux.
5. Veillez à ne pas endommager le câblage électrique ou d'autres équipements non apparents lors de la découpe ou du perçage du mur ou du plafond.
6. Les ventilateurs avec conduits doivent toujours évacuer l'air à l'extérieur.
7. Ne pas utiliser cet appareil avec une commande de vitesse à semi-conducteur.
8. Afin de réduire les risques d'incendie, n'utilisez que des conduits de métal.
9. Cet appareil doit être mis à la terre.
10. Afin de prévenir les risques d'électrocution, la fiche doit être branchée dans une prise de courant correctement installée et mise à la terre.
11. Lorsqu'une réglementation est en vigueur et qu'elle comporte des exigences d'installation et/ou de certification plus restrictives, lesdites exigences prévalent sur celles de ce document et l'installateur entend s'y conformer à ses frais.

**AFIN DE RÉDUIRE LES RISQUES DE FEU DE CUISINIÈRE :**

- a) Ne jamais laisser les appareils de cuisson sans surveillance lorsqu'ils sont réglés à feu vif. Les débordements engendrent de la fumée et des déversements graisseux pouvant s'enflammer. Chauffez l'huile lentement, à feu doux ou moyen.
- b) Mettez toujours la hotte en marche lorsque vous cuisinez à feu vif ou que vous cuisinez des mets flambés (par ex. : crêpes Suzette, cerises jubilé, steaks au poivre flambés).
- c) Nettoyez régulièrement la roue du ventilateur. Ne laissez pas la graisse s'accumuler sur le ventilateur, les filtres ou les conduits d'évacuation.
- d) Utilisez le bon format de casserole. Servez-vous toujours de casseroles et d'ustensiles appropriés à la dimension de la surface chauffante.

### ⚠ AVERTISSEMENT

**AFIN D'ÉVITER TOUT RISQUE DE BLESSURES LORS D'UN FEU DE CUISINIÈRE, SUIVEZ CES DIRECTIVES\* :**

1. Éteignez les flammes avec un couvercle hermétique, une tôle à biscuits ou un plateau métallique et ensuite, éteindre le brûleur. PRENEZ SOIN D'ÉVITER les brûlures. SI LES FLAMMES NE S'ÉTEIGNENT PAS IMMÉDIATEMENT, ÉVACUEZ LES LIEUX ET APPELEZ LES POMPIERS.
2. NE PRENEZ JAMAIS UNE CASSEROLE EN FLAMMES DANS VOS MAINS. Vous pourriez vous brûler.
3. N'UTILISEZ PAS D'EAU, incluant un linge à vaisselle ou une serviette mouillée, cela pourrait occasionner une violente explosion de vapeur.
4. N'utilisez un extincteur QUE DANS LE CAS OÙ :
  - A. Vous savez qu'il s'agit d'un extincteur de classe ABC et que vous en connaissez le fonctionnement.
  - B. Le feu est petit et limité à l'endroit où il a débuté.
  - C. Les pompiers ont été avisés.
  - D. Vous pouvez combattre le feu en ayant accès à une sortie de secours.

\*Tirées du *Kitchen Fire Safety Tips* publié par la NFPA.

### ATTENTION

1. Pour une utilisation à l'intérieur seulement.
2. Pour usage domestique seulement. Ne pas utiliser pour évacuer des vapeurs ou des matières dangereuses ou explosives.
3. Afin d'éviter tout dommage au moteur et de débalancer ou de rendre bruyante la roue du moteur, garder votre appareil à l'abri des poussières de gypse et de construction/rénovation, etc.
4. Le moteur de votre hotte possède une protection thermique qui éteindra automatiquement le moteur s'il devient surchauffé. Le moteur redémarrera automatiquement une fois refroidi. Si le moteur continue à arrêter et à redémarrer, faites-le vérifier.
5. La distance minimale de la hotte au-dessus de la surface de cuisson NE DOIT PAS être inférieure à 26 po. Pour une meilleure évacuation des odeurs de cuisson, la distance maximale recommandée au-dessus de la surface de cuisson est de 30 po. **Pour une cuisinière au gaz, le bas de votre hotte NE DOIT PAS ÊTRE INFÉRIEUR à 30 po au-dessus de la surface de cuisson.**
6. Deux installateurs sont recommandés lors de l'installation vu la grande dimension et le poids de cet appareil.
7. Afin de réduire les risques d'incendie, assurez-vous d'évacuer l'air à l'extérieur. Ne pas évacuer l'air dans des espaces restreints comme l'intérieur des murs ou plafond ou dans le grenier, faux plafond ou garage.
8. En raison de la grande capacité d'évacuation de cette hotte, il est recommandé d'ouvrir une fenêtre dans ou près de la cuisine afin de remplacer l'air évacué.
9. Afin de réduire les risques d'incendie et d'électrocution, les hottes NuTone de série NW3 ne doivent être installées qu'avec leur ventilateur intérieur intégré.
10. Afin de réduire les risques de feu ou d'électrocution, si la hotte est utilisée en mode recirculation, utiliser uniquement l'ensemble de recirculation modèle RK56.
11. Veuillez consulter l'autocollant apposé à l'intérieur de la hotte pour plus d'information ou d'autres exigences.

# TABLE DES MATIÈRES

1. PRÉPARER L'INSTALLATION . . . . .	3	9. INSTALLER LE CONDUIT . . . . .	6
2. CHOISIR LE TYPE D'INSTALLATION . . . . .	3	10. PRÉPARER LE CONDUIT DÉCORATIF . . . . .	7
3. INSTALLATION ÉLECTRIQUE . . . . .	4	11. INSTALLER LE CONDUIT DÉCORATIF . . . . .	7-8
4. INSTALLER LE SUPPORT DE MONTAGE DE LA HOTTE . . . . .	4	12. REMETTRE EN PLACE LES FILTRES À GRAISSES . . . . .	8
5. INSTALLER LE SUPPORT DE MONTAGE DU CONDUIT DÉCORATIF SUPÉRIEUR . . . . .	5	13. FONCTIONNEMENT . . . . .	9
6. RETIRER LES FILTRES À GRAISSES . . . . .	5	14. ENTRETIEN . . . . .	10
7. INSTALLER L'ADAPTATEUR/VOLET DE 6 PO ROND . . . . .	5	15. PIÈCES DE RECHANGE . . . . .	11
8. INSTALLER LA HOTTE . . . . .	5	16. GARANTIE . . . . .	12

## 1. PRÉPARER L'INSTALLATION

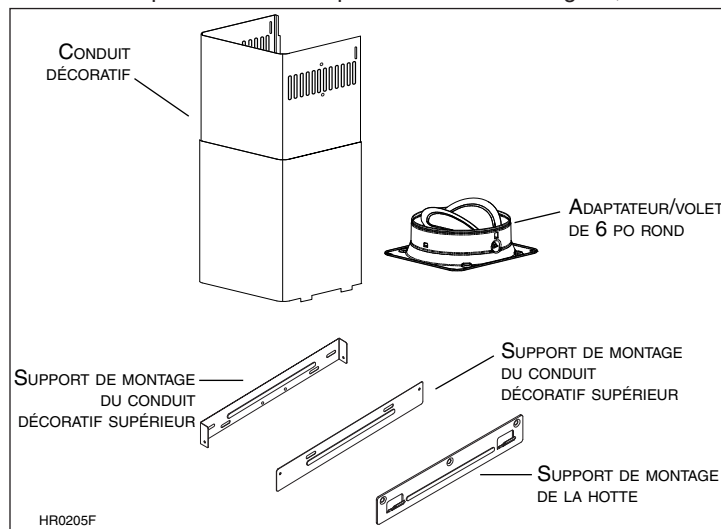
NOTE : Avant de commencer l'installation, vérifier le contenu de la boîte. Si des pièces sont manquantes ou endommagées, contacter le détaillant.

S'assurer que les articles suivants sont inclus :

- Hotte
- Ensemble conduit décoratif (inférieur et supérieur)
- Support de montage de la hotte
- Support de montage du conduit décoratif inférieur
- Support de montage du conduit décoratif supérieur
- 2 filtres à graisses en aluminium
- Adaptateur/volet de 6 po rond
- Manuel d'installation
- Sac de pièces : 8 vis de montage n° 8 x 5/16 po,  
7 vis de montage n° 8 x 1½ po,  
7 douilles à expansion, 2 rondelles

Pièces vendues séparément :

- Conduits, coudes, capuchons de mur ou de toit.
- Ensemble de recirculation modèle RK56, obligatoire pour une installation en recirculation.



NOTE : Lors de l'installation, protéger la surface de cuisson ou le comptoir de cuisine.

## 2. CHOISIR LE TYPE D'INSTALLATION

### ⚠ AVERTISSEMENT

Lors de l'installation, de l'entretien ou du nettoyage de l'appareil, il est recommandé de porter des lunettes et des gants de sécurité.

### 2.1 INSTALLATION EN RECIRCULATION

L'ensemble de recirculation RK56 est requis pour ce type d'installation.

### 2.2 INSTALLATION AVEC CONDUITS

Déterminer à quel endroit et de quelle façon les conduits seront installés.

Un conduit droit et court permettra à la hotte de fonctionner plus efficacement.

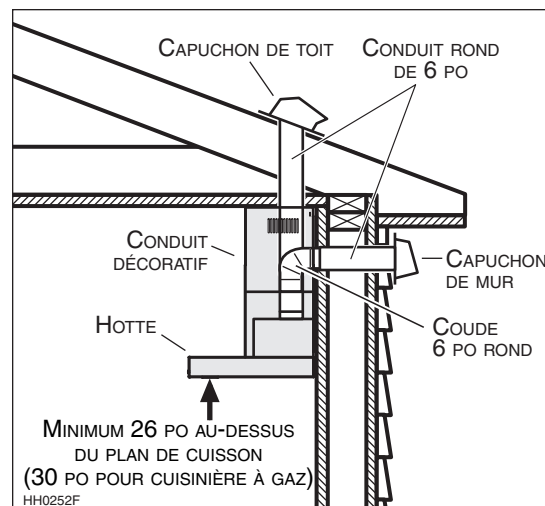
Un conduit long avec des coudes et des transitions réduira la performance de la hotte. En utiliser le moins possible. Pour une grande distance, un conduit d'évacuation d'air au diamètre plus grand peut être requis.

Installer un capuchon de toit ou de mur. Relier le conduit de 6 po rond en métal au capuchon, puis acheminer le conduit jusqu'à l'emplacement de la hotte. Sceller les joints avec du ruban adhésif de métal de 2 po de largeur.

### 2.3 TOUTES LES INSTALLATIONS

**La distance minimale entre le bas de la hotte et la surface de cuisson est de 26 po (30 po au-dessus d'une cuisinière à gaz). Un maximum de 30 po au-dessus de la surface de cuisson est recommandé pour une meilleure évacuation des odeurs de cuisson.**

Les distances au-delà de 30 po sont à la discrétion de l'installateur et de l'utilisateur, si la hauteur du plafond et du conduit décoratif le permettent.





### 3. INSTALLATION ÉLECTRIQUE

#### ⚠ AVERTISSEMENT

Le raccordement électrique doit être effectué par du personnel qualifié en respectant les normes et règlements en vigueur. Cet appareil doit être relié à une mise à la terre. Avant d'effectuer le branchement, coupez l'alimentation électrique depuis le tableau de distribution principal.

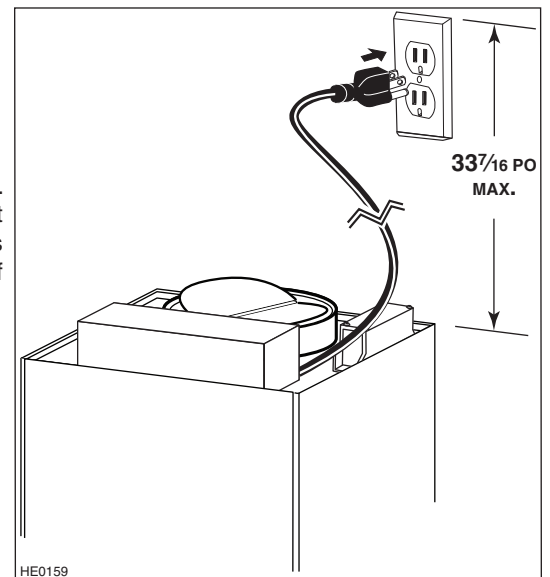
#### INSTRUCTIONS POUR MISE À LA TERRE

Cet appareil doit être relié à une mise à la terre. En cas de court-circuit électrique, la mise à la terre réduit le risque d'électrocution en fournissant un câble d'évacuation du courant. Cet appareil est muni d'un cordon équipé d'un câble de mise à la terre avec fiche de mise à la terre. La fiche doit être branchée dans une prise de courant correctement installée et mise à la terre.

#### ⚠ AVERTISSEMENT

Un mauvais branchement peut entraîner un risque d'électrocution. Consultez un électricien si les instructions de mise à la terre ne sont pas tout à fait compréhensibles ou si un doute persiste quant à savoir si l'appareil est correctement relié à la terre. Ne pas utiliser de rallonge électrique. Si le cordon d'alimentation est trop court, demandez à un électricien d'installer une prise de courant près de l'appareil.

Installer l'alimentation électrique dans l'espace qui sera couvert par le conduit décoratif. Placer la prise de façon désaxée et à une distance maximale de  $33\frac{7}{16}$  po de l'endroit où le fil sort de la hotte (voir l'illustration ci-contre). S'assurer qu'elle n'interfère pas avec l'emplacement de fixation d'un support de montage ou avec le conduit décoratif (à l'endroit où il touche le mur).



### 4. INSTALLER LE SUPPORT DE MONTAGE DE LA HOTTE

#### ⚠ AVERTISSEMENT

- Veillez à ne pas endommager le câblage électrique ou d'autres équipements non apparents lors de la découpe ou du perçage du mur ou du plafond.
- Lors de la construction de la charpente, toujours suivre les codes et standards de construction en vigueur.

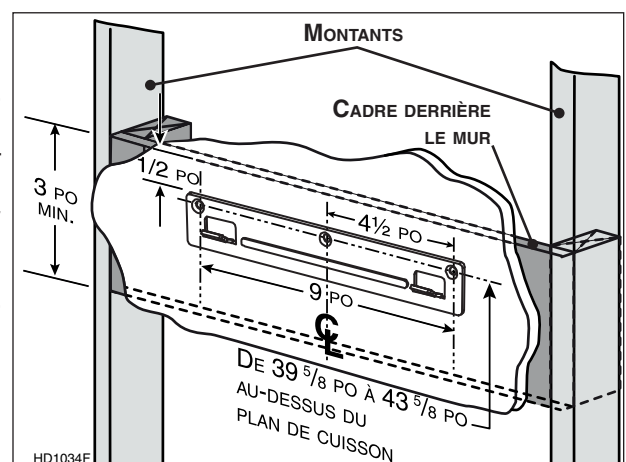
Construire un cadre mural en bois encastré entre les montants et au même niveau que ceux-ci.

Le cadre mural doit avoir au moins  $\frac{1}{2}$  po d'épaisseur et 3 po de hauteur. Pour une installation solide, s'assurer de fixer le cadre mural aux montants.

S'assurer que la hauteur du cadre permettra au support de montage d'y être bien fixé en respectant les dimensions indiquées (voir l'illustration ci-contre).

**Après la finition du mur**, centrer le support au-dessus de l'emplacement de l'installation et mettre de niveau. Fixer le support de montage au cadre mural à l'aide de 3 vis n° 8 x  $1\frac{1}{2}$  po.

À l'aide d'un niveau, tracer une ligne verticale jusqu'au plafond à partir du centre du support de montage de la hotte.



$39\frac{5}{8}$  po = BAS DE LA HOTTE 26 po AU-DESSUS DU PLAN DE CUISSON  
 $43\frac{5}{8}$  po = BAS DE LA HOTTE 30 po AU-DESSUS DU PLAN DE CUISSON

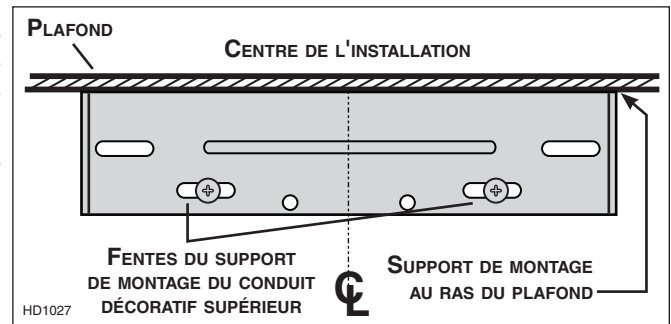


## 5. INSTALLER LE SUPPORT DE MONTAGE DU CONDUIT DÉCORATIF SUPÉRIEUR

Centrer le support de montage du conduit décoratif supérieur selon la ligne précédemment tracée à l'étape 4 et le positionner au ras du plafond. S'assurer que les fentes du support soient positionnées vers le bas. Utiliser le support comme gabarit pour marquer la position des vis.

Percer deux trous à l'aide d'une mèche de 5/16 po. Insérer les douilles à expansion (fournies) dans les trous percés (une pour chaque trou).

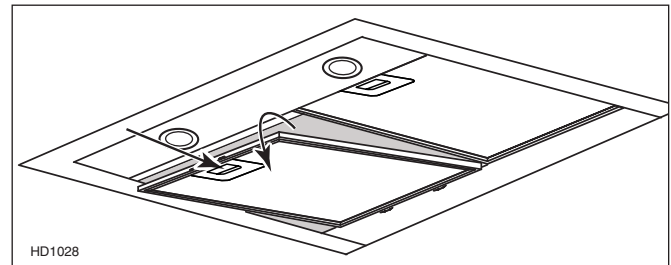
Fixer au mur le support de montage du conduit supérieur à l'aide de 2 vis n° 8 x 1½ po. S'assurer que le support de montage soit bien appuyé contre le mur.



## 6. RETIRER LES FILTRES À GRAISSES

Poser le dos de la hotte à plat sur une table. Placer au préalable un morceau de carton pour éviter d'endommager la table et la hotte.

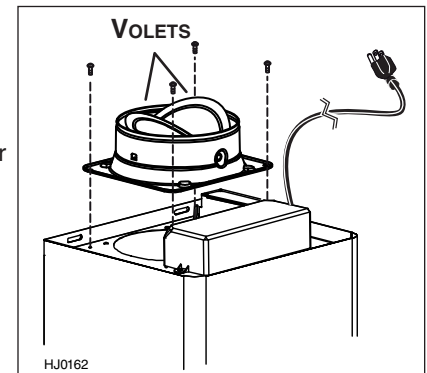
Retirer les filtres à graisses en tirant le loquet de métal vers le bas et en faisant basculer chaque filtre vers le bas. Mettre les filtres de côté.



## 7. INSTALLER L'ADAPTATEUR/VOLET DE 6 PO ROND

Fixer l'adaptateur/volet de 6 po rond à l'aide de 4 vis n° 8 x 5/16 po (incluses). Sceller l'adaptateur à la hotte à l'aide de ruban adhésif de métal.

**INSTALLATION EN RECIRCULATION :** Retirer les deux volets.



## 8. INSTALLER LA HOTTE

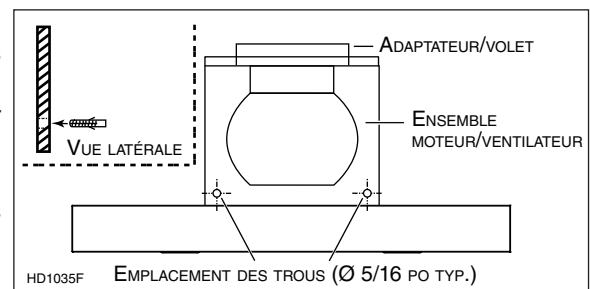
### ⚠ AVERTISSEMENT

**SOYEZ PRUDENT** lors de l'installation du conduit décoratif et de la hotte, il pourrait y avoir des arêtes vives.

### ATTENTION

**NE PAS RETIRER** pour l'instant le film protecteur de plastique recouvrant le conduit décoratif (supérieur et inférieur) et la hotte.

1. Aligner la hotte et la centrer au-dessus de son support de montage. Abaisser doucement la hotte jusqu'à ce qu'elle s'accroche à son support.
2. Mettre la hotte de niveau.
3. Une fois la hotte en place, percer à travers les 2 trous situés au bas du dos interne de la hotte à l'aide d'une mèche de 5/16 po (voir l'illustration ci-contre).
4. Insérer les douilles à expansion fournies dans les trous percés (une pour chaque trou).
5. S'assurer que la hotte est toujours centrée et de niveau.
6. Insérer les 2 vis de montage n° 8 x 1½ po dans les 2 rondelles, puis les visser dans les douilles à expansion. Serrer complètement toutes les vis.

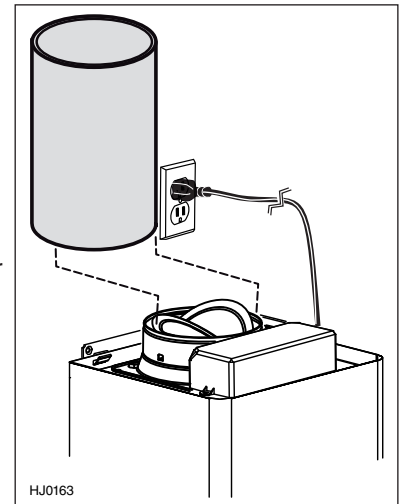


## 9. INSTALLER LE CONDUIT

### INSTALLATION AVEC CONDUIT :

Brancher le cordon d'alimentation de la hotte dans la prise murale.

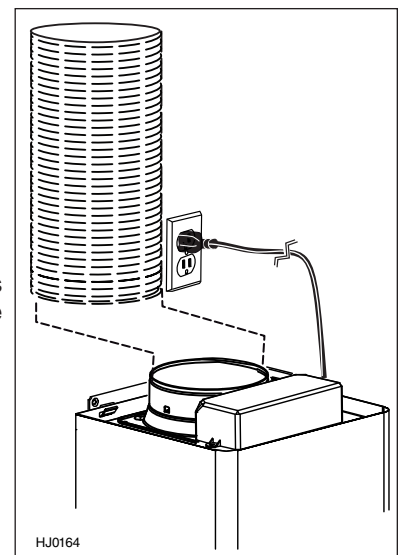
Glisser une section de conduit en métal rond de 6 po par-dessus l'adaptateur/volet. Sceller hermétiquement le joint à l'aide de ruban adhésif de métal.



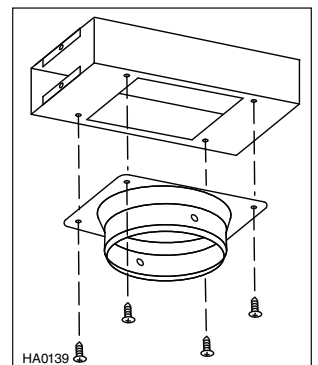
### INSTALLATION EN RECIRCULATION :

Brancher le cordon d'alimentation de la hotte dans la prise murale.

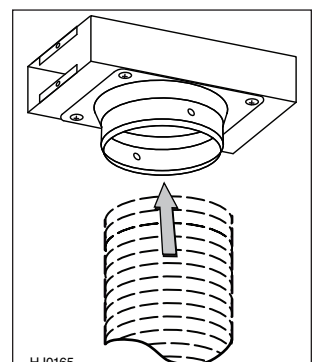
Glisser le conduit flexible rond de 6 po en métal (inclus dans le kit de recirculation) par-dessus l'adaptateur (sans les volets) de la hotte et le fixer avec une attache autobloquante incluse. Sceller le joint avec du ruban adhésif de métal.



À l'aide de 4 vis ST4 x 8 incluses, assembler l'adaptateur rond de 6 po au plenum.

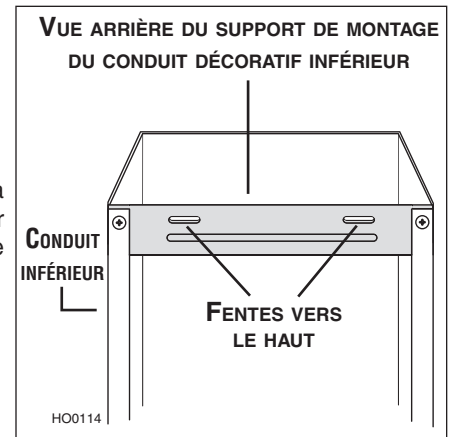


Fixer le conduit flexible de métal à l'adaptateur à l'aide d'une attache autobloquante (incluse). Sceller le joint avec du ruban adhésif de métal.



## 10. PRÉPARER LE CONDUIT DÉCORATIF

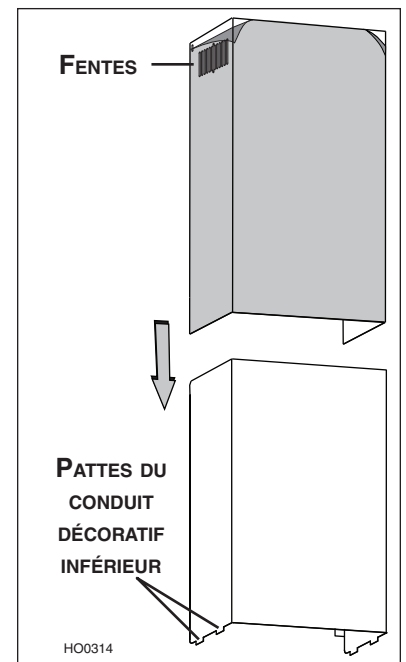
Retirer le conduit décoratif supérieur de l'intérieur du conduit décoratif inférieur. Retirer la pellicule de plastique protectrice recouvrant le conduit décoratif inférieur seulement. Assembler le support de montage du conduit décoratif inférieur à celui-ci à l'aide de 2 vis de montage n° 8 x 5/16 po en vous assurant que les fentes soient placées vers le haut.



Enlever juste assez de plastique protecteur pour dégager les coins supérieurs du conduit décoratif supérieur.

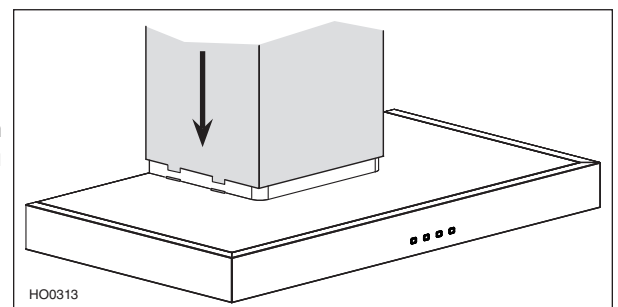
Positionner les pattes du conduit inférieur vers le bas.

Glisser délicatement le conduit décoratif supérieur dans le conduit décoratif inférieur, le côté des fentes vers le haut.



## 11. INSTALLER LE CONDUIT DÉCORATIF

Déposez soigneusement le conduit décoratif sur le dessus de la hotte en insérant les pattes du bord du conduit décoratif inférieur dans les fentes du dessus de la hotte (2 fentes par côté).



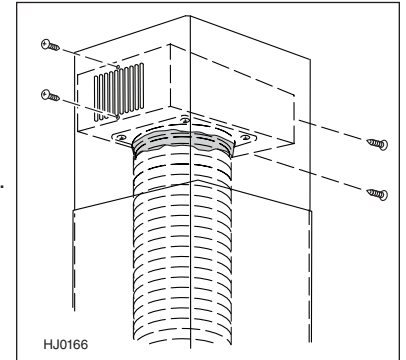
## 11. INSTALLER LE CONDUIT DÉCORATIF (SUITE)

### INSTALLATION AVEC CONDUITS :

Raccorder la section de conduit rond de 6 po au conduit menant vers l'extérieur. Sceller le joint avec du ruban adhésif de métal.

### INSTALLATION EN RECIRCULATION :

Tirer vers le haut le conduit décoratif supérieur et y fixer le plénum à l'aide de 4 vis ST4 x 8 incluses.

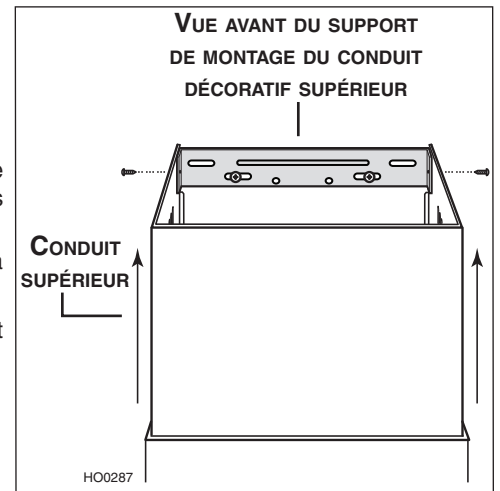


### TOUTES LES INSTALLATIONS :

Soulever le conduit décoratif supérieur jusqu'au niveau de son support de montage. Ce dernier doit être à l'intérieur du conduit. Fixer le conduit supérieur au support à l'aide des 2 vis n° 8 x 5/16 po (incluses). Voir l'illustration ci-contre.

NOTE : Conduit de ventilation (ou plénum) non montré dans l'illustration afin de faciliter la compréhension.

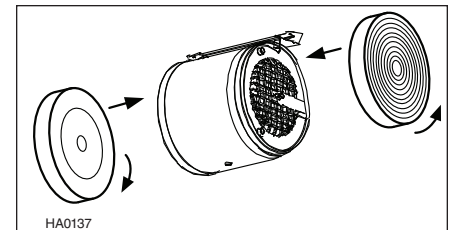
Retirer la pellicule de plastique protectrice recouvrant le conduit décoratif supérieur et la hotte.



## 12. REMETTRE EN PLACE LES FILTRES À GRAISSES

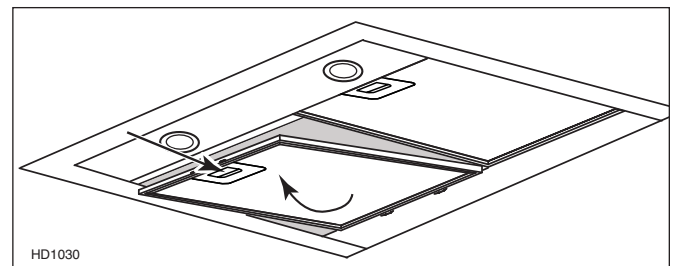
### INSTALLATION EN RECIRCULATION :

Fixez deux filtres de recirculation aux côtés du ventilateur en alignant le cran de retenue sur la fente et en tournant pour retenir les filtres en place.



### TOUTES LES INSTALLATIONS :

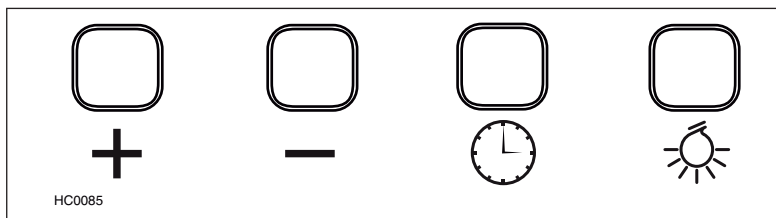
Pour installer les filtres à graisses, aligner les languettes arrière de chaque filtre avec les fentes dans la hotte. Tirer le loquet vers le bas, pousser un filtre à la fois pour le remettre en place, puis relâcher. Vérifier que les filtres sont bien en place.



## 13. FONCTIONNEMENT

Toujours mettre en marche la hotte avant de commencer la cuisson afin d'établir une circulation d'air dans la cuisine. Laisser fonctionner la hotte quelques minutes après la fin de la cuisson afin de nettoyer l'air. Cela aidera à garder la cuisine plus propre et plus fraîche.

NOTE : Le bouton-poussoir sélectionné émettra un signal sonore et son voyant lumineux s'allumera en bleu.



### **+ BOUTON-POUSOIR ACTIVATION DU VENTILATEUR / AUGMENTATION DE LA VITESSE (BOUTON-POUSOIR DOUBLE FONCTION) :**

Appuyer une fois sur ce bouton-poussoir pour démarrer le ventilateur en basse vitesse, une deuxième fois pour obtenir la vitesse moyenne et une troisième fois pour la haute vitesse.

NOTE : Lorsque le ventilateur est activé, il en résulte un départ à 100% de sa puissance durant 1 à 2 secondes, puis son régime revient à la vitesse sélectionnée.

### **— BOUTON-POUSOIR ARRÊT DU VENTILATEUR / DIMINUTION DE LA VITESSE (BOUTON-POUSOIR DOUBLE FONCTION) :**

Pour diminuer la vitesse du ventilateur, appuyer sur ce bouton-poussoir. Au besoin, appuyer jusqu'à ce que le ventilateur s'arrête.

### **🕒 BOUTON-POUSOIR DE L'ARRÊT DIFFÉRÉ :**

Afin de régler l'arrêt différé, appuyer sur ce bouton-poussoir lorsque le ventilateur et/ou l'éclairage est activé. Le ventilateur et/ou l'éclairage continuera de fonctionner pendant 10 minutes, puis s'arrêtera automatiquement (le voyant lumineux du bouton-poussoir de l'arrêt différé clignotera pendant les 10 minutes afin d'indiquer que l'arrêt différé est en fonction). Pour annuler la fonction d'arrêt différé, appuyer sur ce bouton-poussoir une seconde fois. Le ventilateur et/ou l'éclairage continuera de fonctionner et ne s'arrêtera que lorsque le bouton-poussoir Arrêt du ventilateur / Diminution de la vitesse et/ou le bouton-poussoir de l'éclairage sera sélectionné.

### **☀️ BOUTON-POUSOIR DE L'ÉCLAIRAGE :**

Appuyer sur le bouton-poussoir de l'éclairage pour allumer les lumières. Appuyer une seconde fois pour les éteindre.

## 14. ENTRETIEN

---

### Filtres à graisses

Les filtres à graisses doivent être nettoyés fréquemment. Utiliser une solution d'eau chaude et de détergent.

Nettoyer les filtres fabriqués entièrement de métal à l'aide d'un détergent sans phosphate.

L'utilisation d'un détergent avec phosphates ainsi que les conditions locales de l'eau peuvent entraîner une décoloration des filtres, sans toutefois affecter leur performance. Cette décoloration n'est pas couverte par la garantie. Afin de prévenir ou de limiter la décoloration, laver les filtres à la main avec un détergent doux.

### Filtres de recirculation

Remplacer les filtres de recirculation tous les 6 mois. Tourner les filtres pour les retirer du ventilateur et les remplacer en achetant les filtres numéro S97018030 ou ROUNDFILTER.

### Nettoyage de la hotte

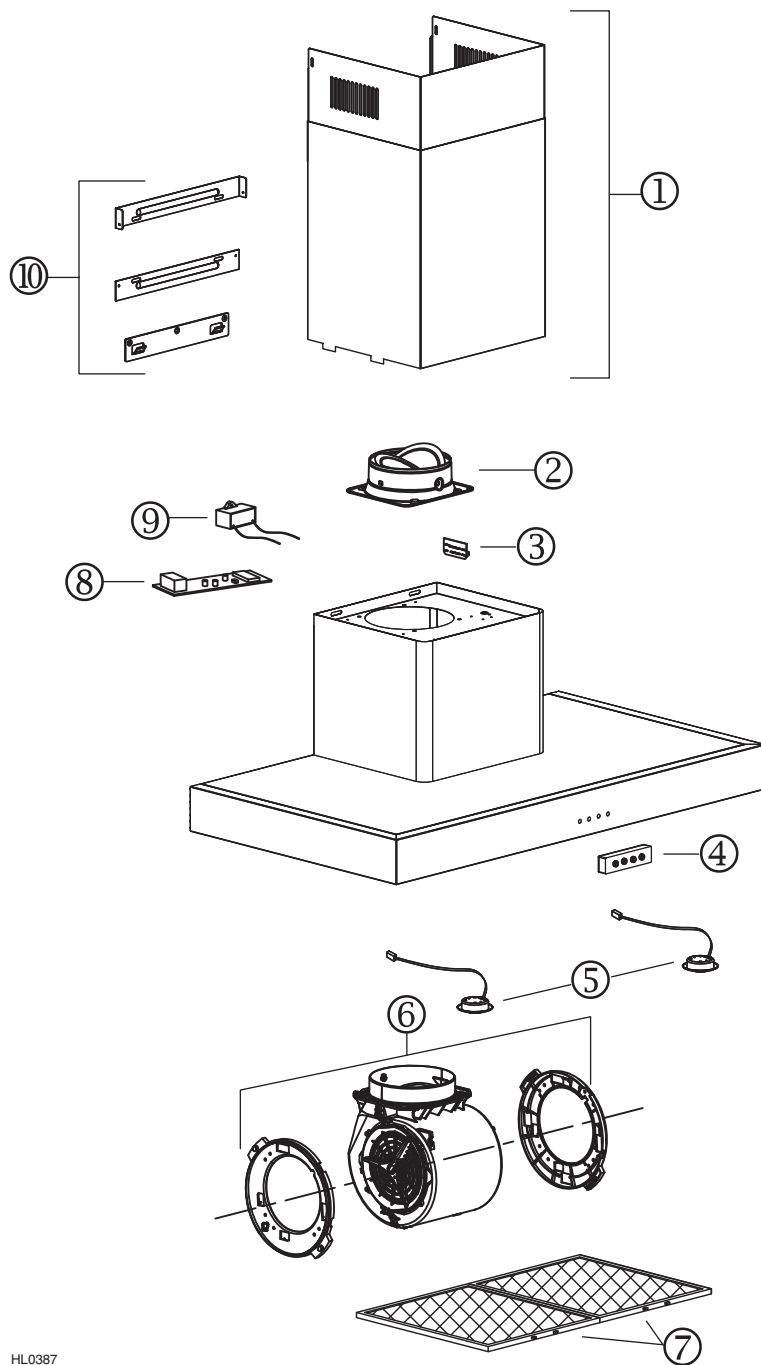
Nettoyage de l'acier inoxydable :

À faire :	À ne pas faire :
<ul style="list-style-type: none"><li>• Laver régulièrement les surfaces à l'aide d'un chiffon ou linge propre imbibé d'eau tiède et de savon doux ou de détergent liquide à vaisselle.</li><li>• Toujours nettoyer dans le sens du polissage.</li><li>• Toujours bien rincer avec de l'eau claire (2 à 3 fois) et essuyer complètement.</li><li>• Un nettoyant domestique conçu spécialement pour l'acier inoxydable peut aussi être utilisé.</li></ul>	<ul style="list-style-type: none"><li>• Ne pas utiliser de laine d'acier ou d'acier inoxydable ou tout autre grattoir pour enlever la saleté tenace.</li><li>• Ne pas utiliser une poudre nettoyante abrasive ou rugueuse.</li><li>• Ne pas laisser la saleté s'accumuler.</li><li>• Ne pas laisser la poussière de plâtre ou tout autre résidu de construction atteindre la hotte. Couvrir la hotte pour la durée des travaux afin de s'assurer qu'aucune poussière n'atteigne la hotte.</li></ul>

### À éviter lors du choix d'un détergent :

- Tous produits nettoyants contenant des **agents de blanchiment**; ils attaqueront l'acier inoxydable.
- Tous produits contenant du **chlorure**, du **fluorure**, de l'**iode** ou du **bromure**; ils détérioreront rapidement les surfaces.
- Tous produits combustibles utilisés pour le nettoyage : **acétone**, **alcool**, **éther**, **benzène**, etc.; ils sont grandement explosifs et ne devraient jamais être utilisés près d'une cuisinière.

# 15. PIÈCES DE REMPLACEMENT



### PIÈCES DE REMPLACEMENT ET SERVICE

Pour assurer le bon fonctionnement de votre appareil, vous devez toujours utiliser des pièces d'origine provenant de Broan-NuTone LLC. Les pièces d'origine de Broan-NuTone LLC sont spécialement conçues pour satisfaire toutes les normes de certification de sécurité applicables. Leur remplacement par des pièces ne provenant pas de Broan-NuTone LLC pourrait ne pas assurer la sécurité de l'appareil, entraîner une réduction sévère des performances ainsi qu'un risque de défaillance prématurée. Broan-NuTone LLC recommande également de toujours vous référer à une entreprise de services compétente et reconnue par Venmar Broan-NuTone LLC pour vos pièces de remplacement et appels de service.

HL0387

N°	N° DE PIÈCE	DESCRIPTION	QUANTITÉ
1	S99528930	CONDUIT DÉCORATIF (SUPÉRIEUR ET INFÉRIEUR)	1
2	S99526983	ADAPTATEUR/VOLET	1
3	S99528926	MODULE D'ALIMENTATION DEL	1
4	S99528925	ENSEMBLE DE LA COMMANDE	1
5	S99528927	LAMPES DEL (ENSEMBLE DE 2)	1
6	S99528361	BLOC MOTEUR/VENTILATEUR	1
7	S97018027	FILTRES À GRAISSES EN ALUMINIUM (ENSEMBLE DE 2)	1
8	S99528928	CARTE ÉLECTRONIQUE	1
9	S99527662	CONDENSATEUR	1
10	S99528931	SUPPORTS DE MONTAGE (ENSEMBLE DE 3)	1
*	S99528455	SAC DE PIÈCES INCLUANT : 8 VIS DE MONTAGE N° 8 x 5/16 PO, 7 VIS DE MONTAGE N° 8 x 1½ PO, 7 DOUILLES À EXPANSION, 2 RONDELLES.	1

\* NON ILLUSTRÉ.

## 16. GARANTIE

### Garantie limitée

**Période de garantie et exclusions:** Broan-NuTone LLC (la « Société ») et/ou son subsidiaire garantit au consommateur acheteur initial (« vous ») de son produit (le « Produit ») que celui-ci est exempt de tout vice de matériau ou de fabrication pour une période de un (1) an à compter de la date d'achat originale (ou toute période plus longue que pourrait exiger une loi applicable). La période de la garantie limitée sur toute pièce de remplacement fournie par la Société et sur tout produit réparé ou remplacé en vertu de la présente garantie limitée correspond au reste de la période de garantie originale (ou toute période plus longue que pourrait exiger une loi applicable).

La présente garantie ne s'applique pas aux tubes fluorescents et aux démarreurs, ni aux ampoules halogènes ou incandescentes, fusibles, filtres, conduits, capuchons de toit, capuchons muraux et autres accessoires pour conduits pouvant avoir été achetés séparément et installés avec le produit. La présente garantie ne couvre pas (a) les travaux d'entretien et de service normaux, (b) l'usure normale, (c) tout produit ou toute pièce ayant fait l'objet d'une mauvaise utilisation, d'un abus, d'un usage anormal, d'une négligence, d'un accident, d'un entretien, rangement ou réparation inadéquats ou insuffisants (autre que par la Société), (d) les dommages dus à une mauvaise installation, ou à une installation ou utilisation contraires aux recommandations ou instructions, (e) tout produit déplacé de son lieu d'installation original, (f) les dommages dus à des éléments environnementaux ou naturels, (g) les dommages dus au transport, (h) l'usure naturelle du fini, (i) les produits utilisés à des fins commerciales ou non-résidentielles ou (j) les dommages dus à un incendie, à une inondation ou à un événement fortuit, (k) les produits dont les numéros de série ont été altérés, rendus illisibles ou enlevés. La présente garantie ne couvre que les produits vendus au consommateur initial aux États-Unis par la Société ou par les distributeurs américains autorisés par la Société.

La présente garantie remplace toute garantie précédente et le consommateur et acheteur initial ne peut la céder à quiconque.

**Aucune autre garantie:** La présente garantie limitée stipule les seules obligations de la Société et votre seul recours en cas de produits défectueux. La garantie ci-dessus est exclusive et remplace toute autre garantie, expresse ou tacite. **LA SOCIÉTÉ EXCLUT TOUTE AUTRE GARANTIE OU CONDITION EXPRESSE ET TOUTE GARANTIE OU CONDITION DÉCOULANT IMPLICITEMENT DE LA LOI, Y COMPRIS, SANS S'Y LIMITER, LES GARANTIES DE VALEUR MARCHANDE ET D'ADÉQUATION À UN USAGE PARTICULIER.** Dans la mesure où la loi en vigueur interdit l'exclusion des garanties tacites ou conditions, la durée de toute garantie tacite est limitée à la période stipulée ci-dessus pour la garantie expresse. Certains territoires ou provinces interdisant de limiter la durée d'une garantie tacite, la limitation ci-dessus peut ne pas s'appliquer à votre situation. Toute description verbale ou écrite du produit a pour seule fin de l'identifier et ne doit pas être interprétée comme une garantie expresse. Si possible, chaque disposition de cette garantie limitée doit être interprétée de sorte à être en vigueur et valide en vertu des lois applicables, mais si une disposition s'avère interdite ou invalide, elle le sera seulement dans la mesure de cette interdiction ou invalidité, sans invalider le reste de cette disposition ni les autres dispositions de la présente garantie limitée.

**Recours:** Pendant la période de garantie limitée applicable, la Société pourra, à son choix, fournir des pièces de rechange ou réparer ou remplacer, sans frais, tout produit ou toute pièce, dans la mesure où la Société constate qu'il est couvert et contrevient à la présente garantie limitée dans des conditions normales d'utilisation et de service. La Société vous enverra gratuitement le produit réparé ou remplacé ou les pièces de rechange. Vous êtes responsable des frais de démontage, de remontage, d'expédition, d'assurance ou de tous autres frais de transport pour l'envoi du produit ou de la pièce à la Société. Si vous devez envoyer le produit ou la pièce à la Société, tel que la Société vous l'indiquera, vous devrez l'emballer correctement. La Société n'est pas responsable des dommages subis lors du transport. La Société se réserve le droit d'utiliser des produits ou des pièces remis en état, remis à neuf, réparés ou réusinés dans le processus de réparation ou de remplacement sous garantie. Lesdits produits ou pièces seront comparables en fonction et en performance aux produits et pièces d'origine et seront garantis pendant le reste de la période de garantie originale (ou toute période plus longue que pourrait exiger une loi applicable).

La Société se réserve le droit, à son entière discrétion, de vous rembourser le prix que vous avez payé pour votre produit en lieu et place d'une réparation ou d'un remplacement. Si le produit ou le composant n'est plus offert, il sera remplacé par un produit de valeur égale ou supérieure, à l'entière discrétion de la Société. Cette mesure constitue votre recours exclusif en cas de violation de cette garantie limitée.

**Exclusion de dommages:** **L'OBLIGATION DE LA SOCIÉTÉ DE FOURNIR DES PIÈCES DE RECHANGE, OU DE RÉPARER OU REMPLACER LE PRODUIT, À SON CHOIX, CONSTITUE VOTRE SEUL ET UNIQUE RECOURS EN VERTU DE LA PRÉSENTE GARANTIE LIMITÉE ET LA SEULE ET UNIQUE OBLIGATION DE LA SOCIÉTÉ. LA SOCIÉTÉ NE PEUT ÊTRE TENUE RESPONSABLE DE TOUT DOMMAGE INDIRECT, CONSÉCUTIF, ACCESSOIRE OU SPÉCIAL DÉCOULANT DE L'UTILISATION OU DU RENDEMENT DU PRODUIT.** Les dommages accessoires comprennent, sans pour autant y être limités, la perte de temps et la privation de jouissance. Les dommages indirects comprennent, sans pour autant y être limités, le coût de réparation ou de remplacement des autres biens endommagés par le mauvais fonctionnement du produit.

**LA SOCIÉTÉ NE POURRA ÊTRE TENUE RESPONSABLE EN RIEN, NI À TOUTES PERSONNES, DE TOUTE OBLIGATION OU RESPONSABILITÉ INCLUANT SANS S'Y LIMITER, LES OBLIGATIONS OU RESPONSABILITÉS ÉMANANT D'UN BRIS DE CONTRAT OU D'UNE VIOLATION DE GARANTIE, LA NÉGLIGENCE OU AUTRE FORME DE PRÉJUDICE, OU TOUT AUTRE THÉORIE DE STRICTE RESPONSABILITÉ CONCERNANT LE PRODUIT, LES ACTIONS, OMISSIONS OU AUTRE DE LA SOCIÉTÉ.**

Certains territoires ou provinces ne permettant pas la limitation ou l'exclusion des dommages indirects ou consécutifs, la limitation ci-dessus peut ne pas s'appliquer à votre situation. La présente garantie vous confère des droits spécifiques reconnus par la loi. D'autres droits pourraient également vous être accordés selon la législation locale en vigueur.

La présente garantie ne couvre que le remplacement ou la réparation des produits ou pièces défectueux à l'usine principale de la Société et ne comprend pas les frais de voyage et ni les dépenses quotidiennes pour une réparation à domicile.

Toute aide que la Société vous fournit en dehors des dispositions, limitations ou exclusions de cette garantie limitée ne constituera en rien une renonciation aux dites dispositions, limitations ou exclusions, et ne prolongera aucunement cette garantie pas plus qu'elle ne la remettra en vigueur. Les conditions, exclusions et les limitations de responsabilités au titre de la présente garantie ne s'appliqueront pas dans la mesure où toute loi applicable l'interdit. La Société ne vous remboursera aucune dépense encourue par vous pour la réparation ou le remplacement de tout produit défectueux, sauf celles que vous avez encourues avec la permission écrite préalable de la Société.

**Comment bénéficiaire du service de garantie:** Pour vous prévaloir de cette garantie, vous devez (a) aviser la Société à l'adresse ou au numéro de téléphone indiqués ci-dessous dans les sept (7) jours du constat de la défectuosité couverte, (b) donner le numéro de modèle du produit et le numéro d'identification de la pièce et (c) décrire la nature de la défectuosité du produit ou de la pièce. Lors de votre demande de garantie, vous devez présenter une preuve de la date d'achat originale. Si vous ne pouvez pas fournir une copie écrite de la garantie limitée originale, les dispositions de la garantie limitée écrite la plus récente de la Société concernant ce produit particulier s'appliqueront. Vous trouverez les garanties limitées écrites les plus récentes des produits de la Société sur le site [www.nutone.com](http://www.nutone.com).

Broan-NuTone LLC 926 West State Street, Hartford, WI. 53027 [www.nutone.com](http://www.nutone.com) 1 888 336-3948