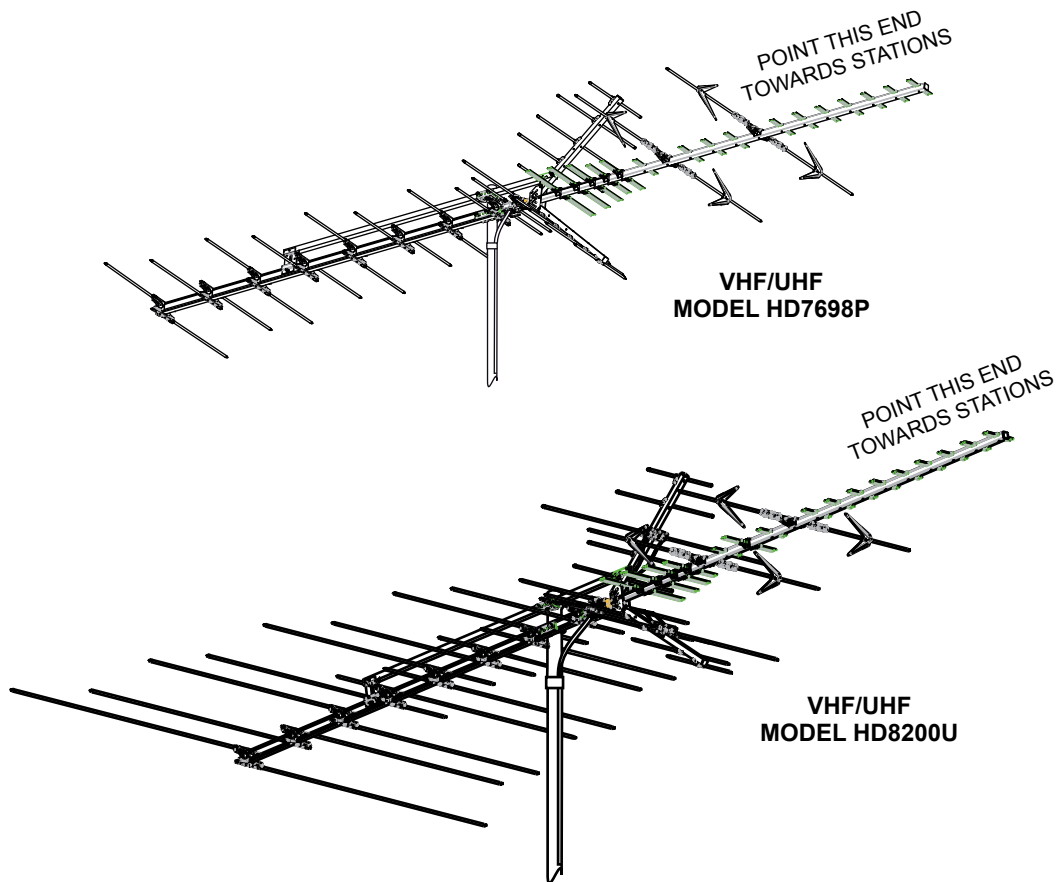




Platinum Series/Ultimate Series Digital/High Definition

INSTRUCTIONS VHF/UHF MODELS HD7698P & HD8200U

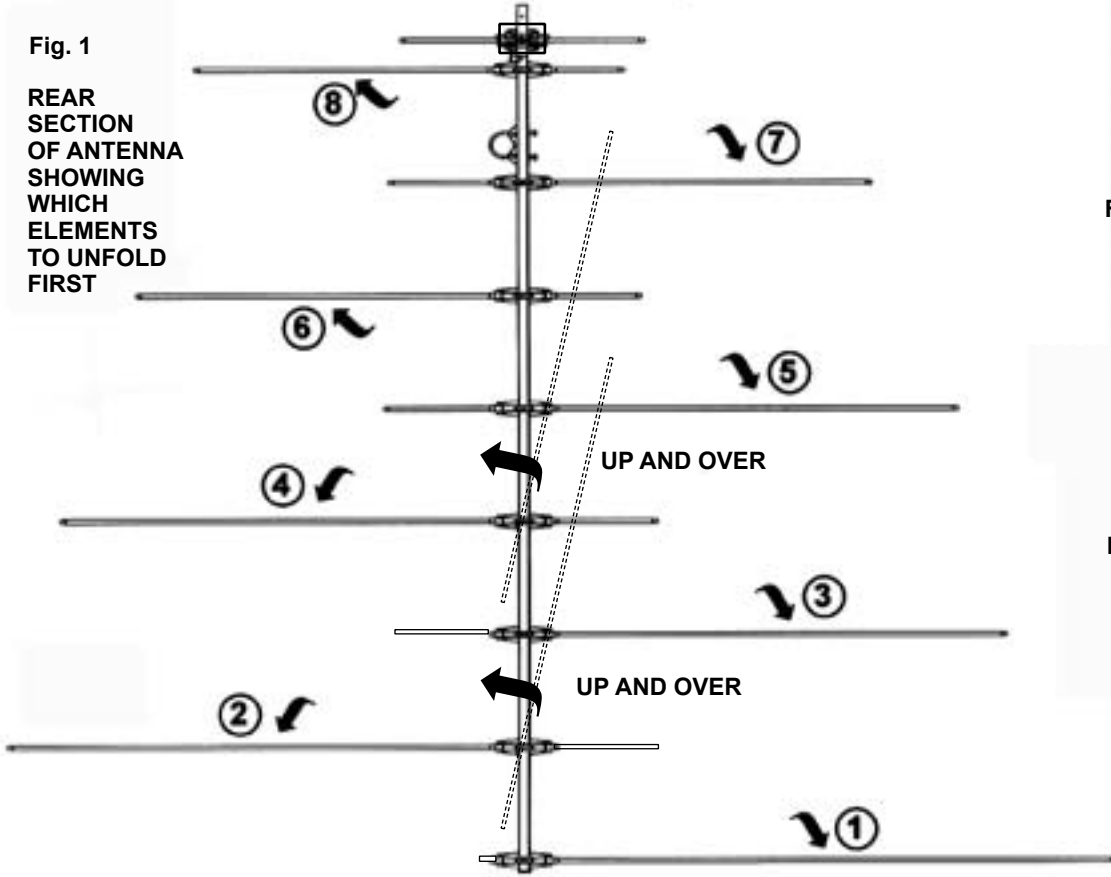


Register your product at winegard.com/myantenna

WARNING
INSTALLATION OF THIS ANTENNA NEAR POWER LINES IS DANGEROUS.
FOR YOUR SAFETY, FOLLOW THE INSTALLATION INSTRUCTIONS.

Parts List	Quantity
Rear Section (section with longest elements)	1
Front Section (section with shortest elements)	1
Corner Reflector Boom	2
Boom Brace	1

Fig. 1
REAR SECTION OF ANTENNA SHOWING WHICH ELEMENTS TO UNFOLD FIRST



SAME REAR SECTION OF ANTENNA COMPLETELY UNFOLDED

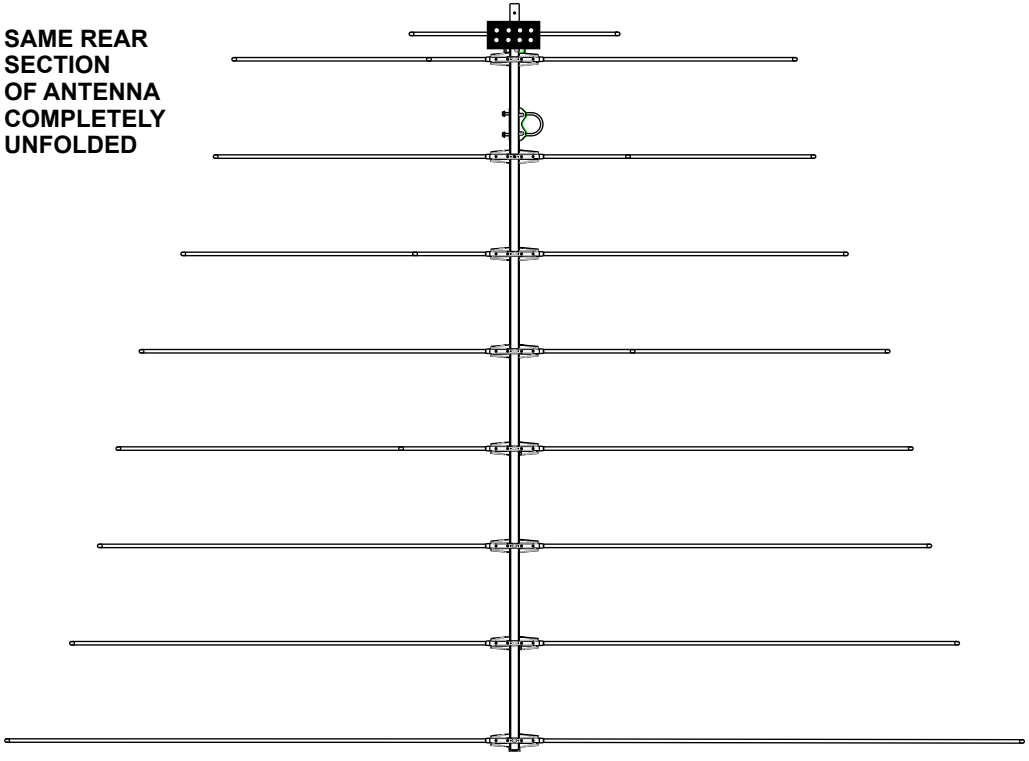


Fig. 2 REMOVE BOLT, HEX NUT AND DIRECTOR ELEMENT.

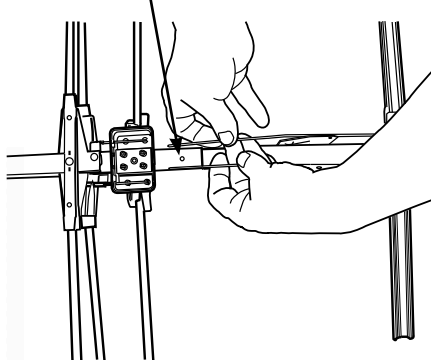


Fig. 2A

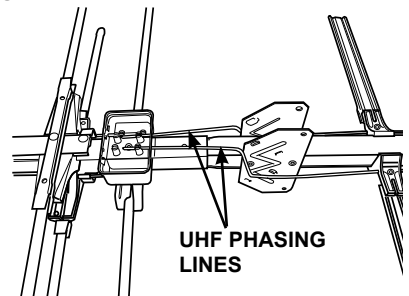
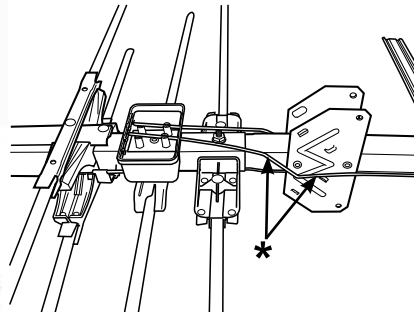


Fig. 2B



*NOTE: Make sure UHF phasing lines DO NOT touch boom or metal brackets!

Fig. 3 UHF Directors

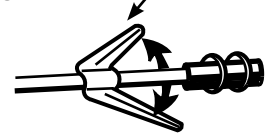
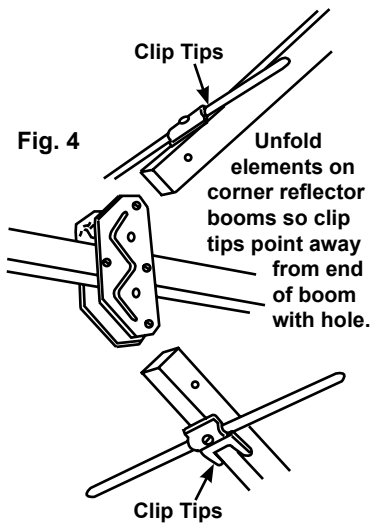


Fig. 4



Step 1: Contents of Package

- A. Remove all parts from the box and compare to the parts list to ensure nothing is missing and to become familiar with the part names.

Note: Unfolding elements procedure is the same for both HD7698P & HD8200U antennas.

Step 2: Rear Section

- A. Stand rear section up vertically with U-bolt assembly up and cartridge housing facing away from you.
B. Unfold elements per **Figure 1** in direction of arrows until they lock into place in the black plastic blocks.
C. Spin the rear section around so the cartridge housing is now facing you.
D. Unfold the remaining elements so they point in the opposite direction from their matching half which was unfolded in step 2B above.
E. Set rear section aside being careful not to bend the elements (laying it flat on the ground is the best position).

Step 3: Front Section

- A. Stand front section up vertically with the shortest element down and elements facing you.
B. Unfold all elements (in any order) until they snap in place.
C. Remove bolt, hex nut, and director element from front section boom. See **Fig. 2**.

Step 4: Attaching Front Section to Rear Section

- A. Slide the front boom into the rear boom making sure to feed the UHF phasing lines into the middle holes at the top of the cartridge housing and then into the slotted pegs inside the housing (see **Figure 2, 2A, 2B**). When finished, the phasing lines will be resting in the slots of the pegs but will not extend out of the back side of the cartridge housing. Reinstall the director element, bolt & nut. See **Fig. 2B**.
***NOTE: Be sure the phasing lines DO NOT touch the metal bracket or the antenna boom.**
B. Unfold the UHF directors as shown in **Figure 3**.
C. Set this completed section assembly aside being careful not to bend the elements.

Step 5: Corner Reflector Assemblies

- A. Unfold the elements on the corner reflector booms as shown in **Figure 4**. Element clip tips should point away from end of the boom with the hole.

Note: On HD8200U ONLY! It is not important whether or not the V-shaped tuning stubs are touching the boom.

- B. Attach the corner reflector booms as shown in **Figure 4A** using the supplied bolts and nuts.

Step 6: Boom Brace

- A. Install the boom brace by first removing the bolts and hex nuts.
B. With the cartridge housing facing down, install the boom brace to the top corner reflector boom first (see **Figure 5**) making sure the mast clamps are on the same side as shown in **Figure 5**. Only finger tighten the bolt and hex nut.
C. Swing the other end of the boom brace down onto the rear section and insert the bolt and hex nut (see **Figure 6**).
D. Tighten both bolts and nuts (on each end of the boom brace) securely.

Step 7: Cartridge Housing

- A. Attach the housing cover so all 4 snaps are locked in place (as shown in **Fig. 7**).

Step 8: Coaxial Cable

- A. Slide the rubber boot over the end of the coaxial cable. *If your coax cable has factory connectors on it, clip small end of boot off, so boot will slip over connector.*
B. Attach the F-connector to the coaxial cable.
C. Attach the coaxial cable to the cartridge housing (see **Figure 7**).
D. Slide the boot over the boot collar on the housing.

Fig. 4A

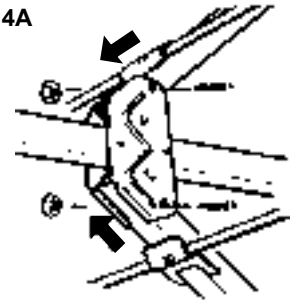


Fig. 5

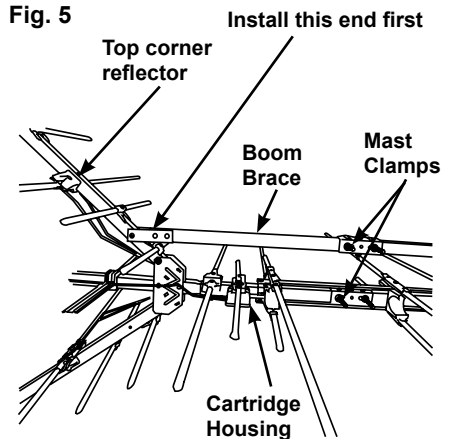


Fig. 6

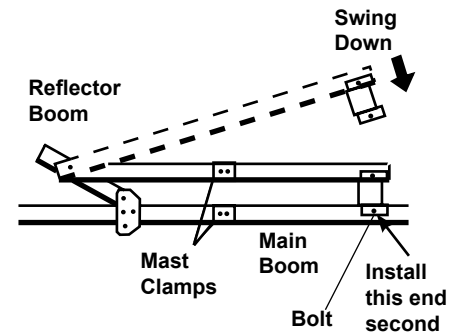
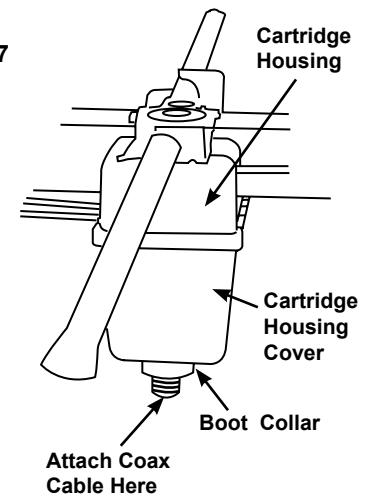


Fig. 7



Step 9: Mounting Antenna to Mast

- A. Loosen nuts on the main boom and brace mast clamps.
- B. Slide both mast clamps over the mast pointing the front of the antenna (small end) towards stations and tighten the boom brace mast clamp securely.
- C. Let the main boom mast clamp slide down the mast until the boom brace supports the main boom.
- D. Tighten the main boom mast clamp securely.

(See **Figure 8** for correct mast clamp assembly)

Step 10: To prevent wind whipping, the 75 ohm coaxial cable download may be secured to the mast by either taping it or use of plastic wire ties.

HOW TO PROVIDE LIGHTNING PROTECTION FOR TV ANTENNA AND SET

Step 1. Mount the lightning arrestor or 75 ohm coaxial grounding block as close as possible to where the 75 ohm coaxial cable download enters the house. See **Figure 9**.

Step 2. The ground wires for both the mast and the lead-in should be copper or aluminum wire, number eight (8) or larger. See **Figure 9**.

Step 3. The lead-in wire from the antenna to the grounding block and the mast ground wire should be secured to the house with stand-off insulators, spaced four (4) or six (6) feet apart. See **Figure 9**.

NOTE: In the case of a "ground up" antenna installation, it may not be necessary to ground the mast if the mast extends four or more feet into the earth. Consult a TV serviceman for the proper depth in your location.

Fig. 8

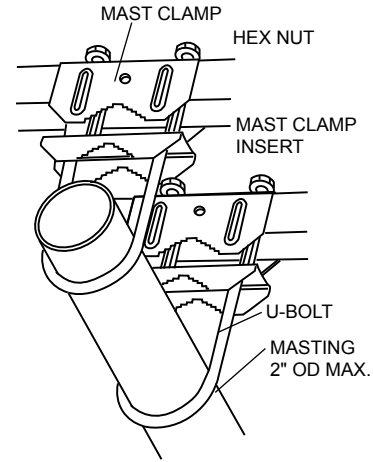
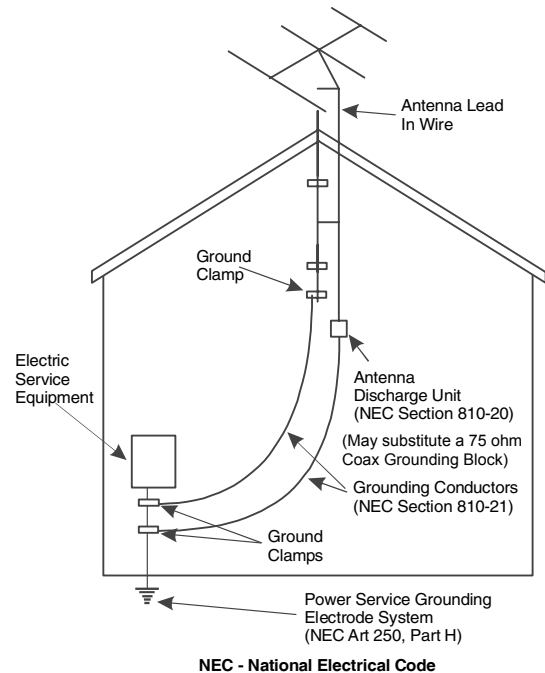


Fig. 9

Example of antenna grounding as per National Electrical Code, ANSI/NFPA 70



90 DAY LIMITED WARRANTY

Winegard Company warrants this Winegard product against any defects in materials or workmanship within 90 (ninety) days from date of purchase. No warranty claim will be honored unless at the time the claim is made, you present proof of purchase to an authorized Winegard dealer (if unknown, please contact Winegard Company, 3000 Kirkwood Street, Burlington, IA 52601-2000, Telephone 800-288-8094).

Winegard Company (at its option) will either repair or replace the defective product at no charge to you. This warranty covers parts, but does not cover any costs incurred in removal, shipping or reinstallation of the product. This limited warranty does not apply if the product is damaged, deteriorates, malfunctions or fails from: misuse, improper installation, abuse, neglect, accident, tampering, modification of the product as originally manufactured by Winegard, usage not in accordance with product instructions or acts of nature such as damage caused by wind, lightning, ice or corrosive environments such as salt spray and acid rain.

The 90 Day Warranty is provided on the condition that the equipment is properly delivered with all handling and freight charges prepaid to your Winegard dealer for return to our factory for repair or replacement. Winegard dealers will arrange for the replacement or repair and return to you without charge the product which failed due to defective material or workmanship.

WINEGARD COMPANY WILL NOT ASSUME ANY LIABILITIES FOR ANY OTHER WARRANTIES, EXPRESS OR IMPLIED, MADE BY ANY OTHER PERSON.

ALL OTHER WARRANTIES WHETHER EXPRESS, IMPLIED OR STATUTORY INCLUDING WARRANTIES OF FITNESS FOR A PARTICULAR PURPOSE AND MERCHANTABILITY ARE LIMITED TO THE 90-DAY PERIOD OF THIS WARRANTY.

The foregoing shall be the sole and exclusive remedy of any person, whether in contract, tort or otherwise, and Winegard shall not be liable for incidental or consequential damage or commercial loss, or from any other loss or damage except as set forth above.

Some states do not allow limitations on how long an implied warranty lasts, or the exclusion of limitation of incidental or consequential damages, so the above limitations or exclusions may not apply to you.

This warranty gives you specific legal rights and you may also have other rights which vary from state to state.

Rev. 2/08