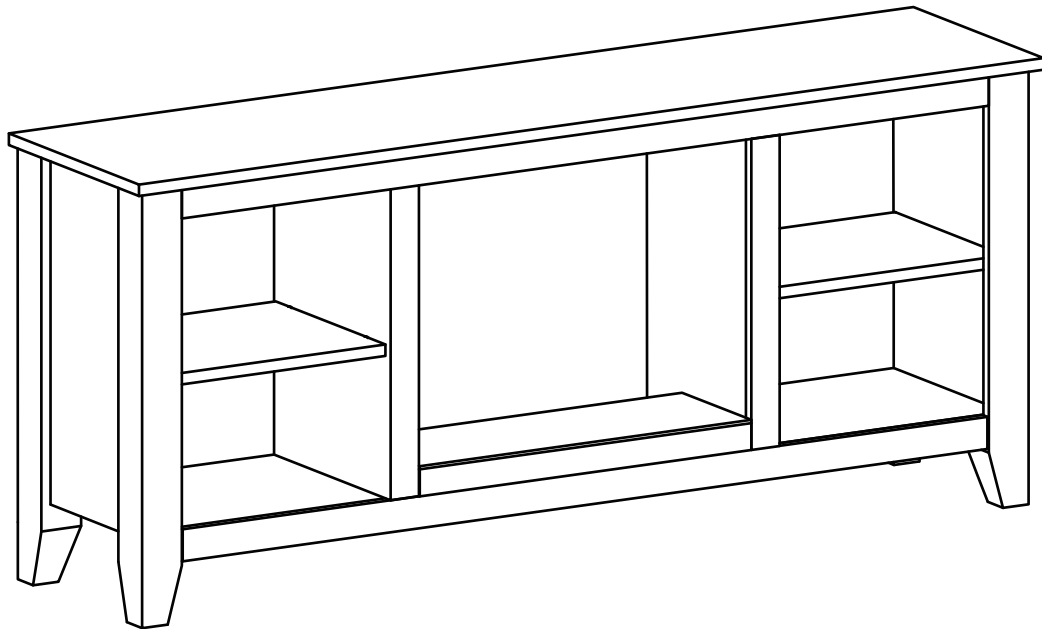


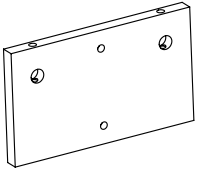
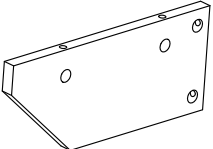
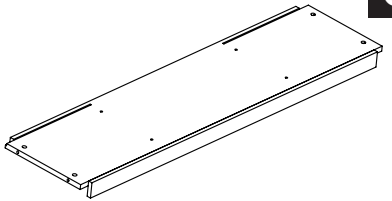
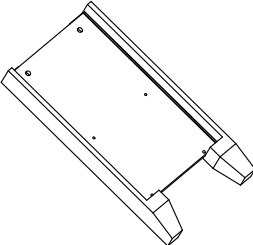
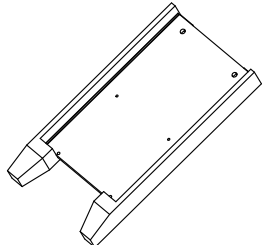
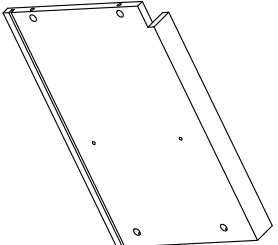
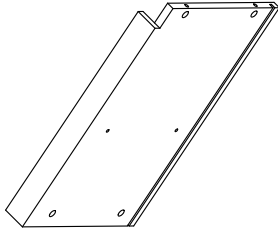
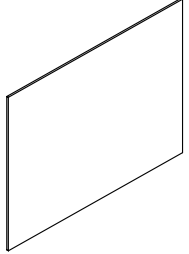
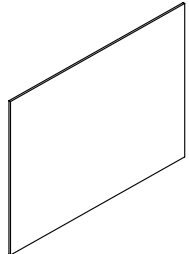
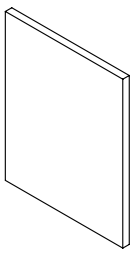
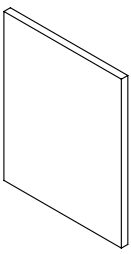
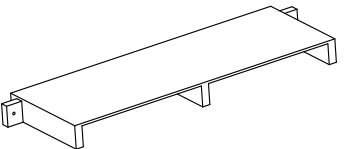
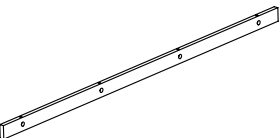
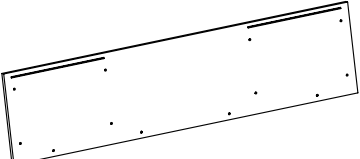
MANTEL

MODEL

X6226-1CHR	X6226-1MAH
X6226-1TEK	X6226-1WHT
X6226-1BLK	X6226-1WAL
X6226-1GRY	



PACKAGE CONTENTS

 <p>A</p>	 <p>B</p>	 <p>C</p>
 <p>D1</p>	 <p>D2</p>	 <p>E</p>
 <p>F</p>	 <p>G1</p>	 <p>G2</p>
 <p>H1</p>	 <p>H2</p>	 <p>I</p>
 <p>J</p>	 <p>K</p>	

HARDWARE CONTENTS

AA



Bolt
Qty. 26

BB



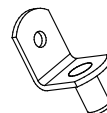
Metal
Connector
Qty. 26

CC



Screw
M4x25
Qty. 2

DD



Shelf Pin
Qty. 8

PACKAGE CONTENTS

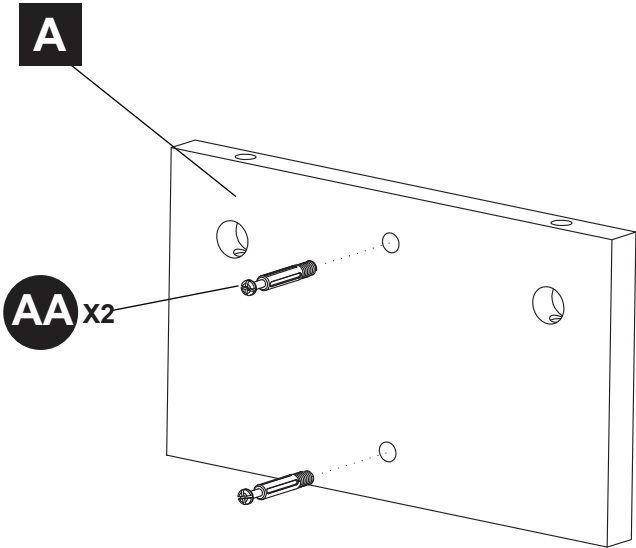
PART	DESCRIPTION	QTY.	PART NO.
A	Base across Panel	1	
B	Base erect Panel	1	
C	Bed plate	1	
D1	Side Panel	1	
D2	Side Panel	1	
E	Left Inner Panel	1	
F	Right Inner Panel	1	
G1	Left Back Panel	1	
G2	Right Back Panel	1	
H1	Adjustable Shelf	1	
H2	Adjustable Shelf	1	
I	Lower Back Panel	1	
J	Top Trim Panel	1	
K	Top Panel	1	
AA	Bolt	26	
BB	Metal Connector	26	
CC	M4x25 Screw	2	
DD	Shelf Pin	8	

Some parts and specifications may change without notice.

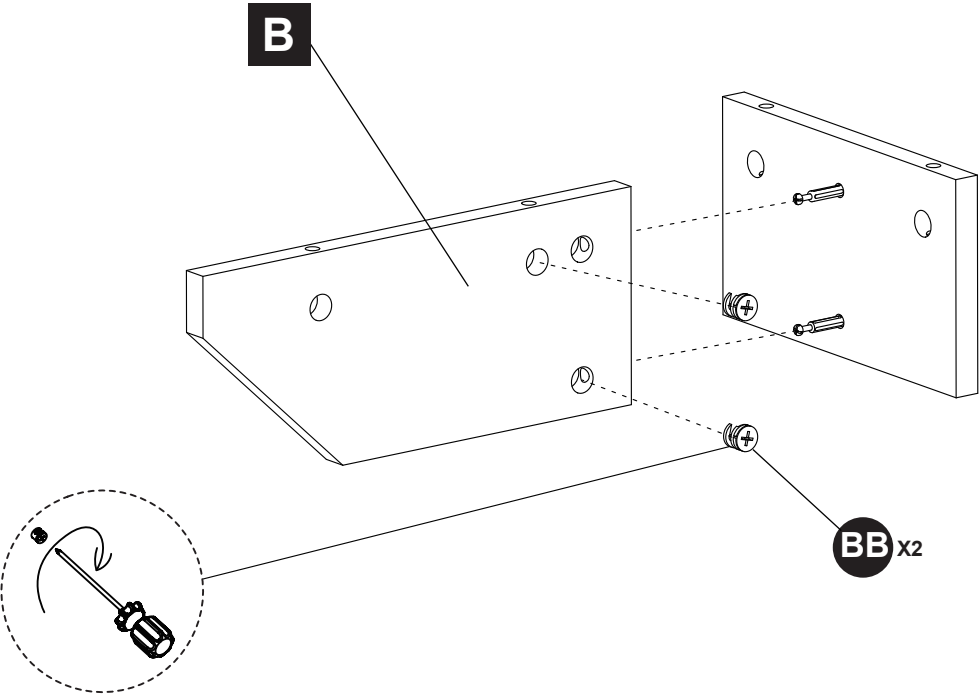
Carefully remove all pieces from the carton and make sure that you have all parts listed (refer to parts list on page 2-3).

PACKAGE STEPS

1.

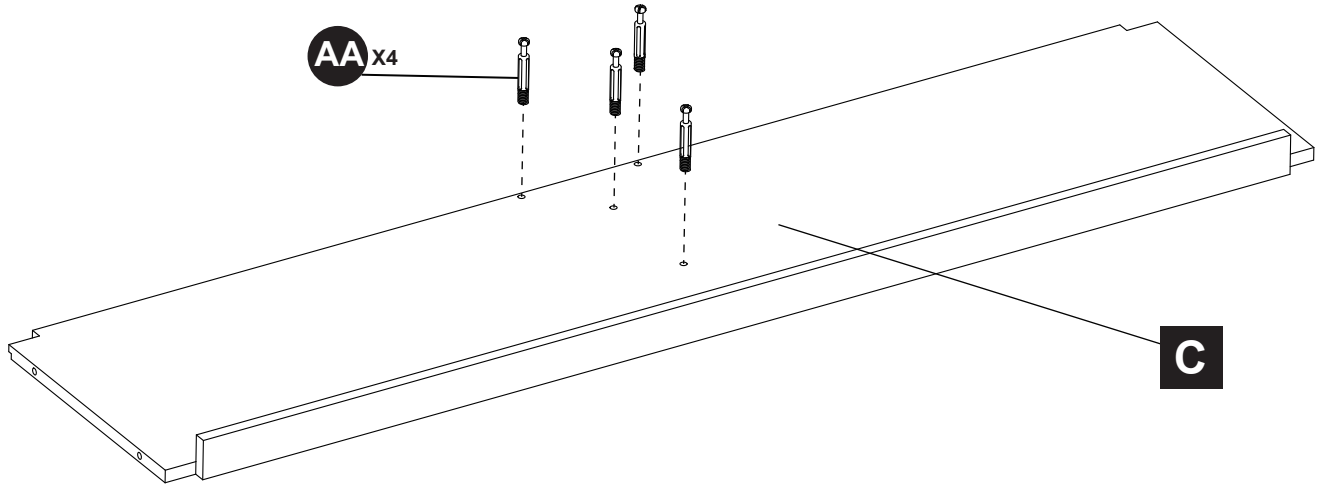


2.

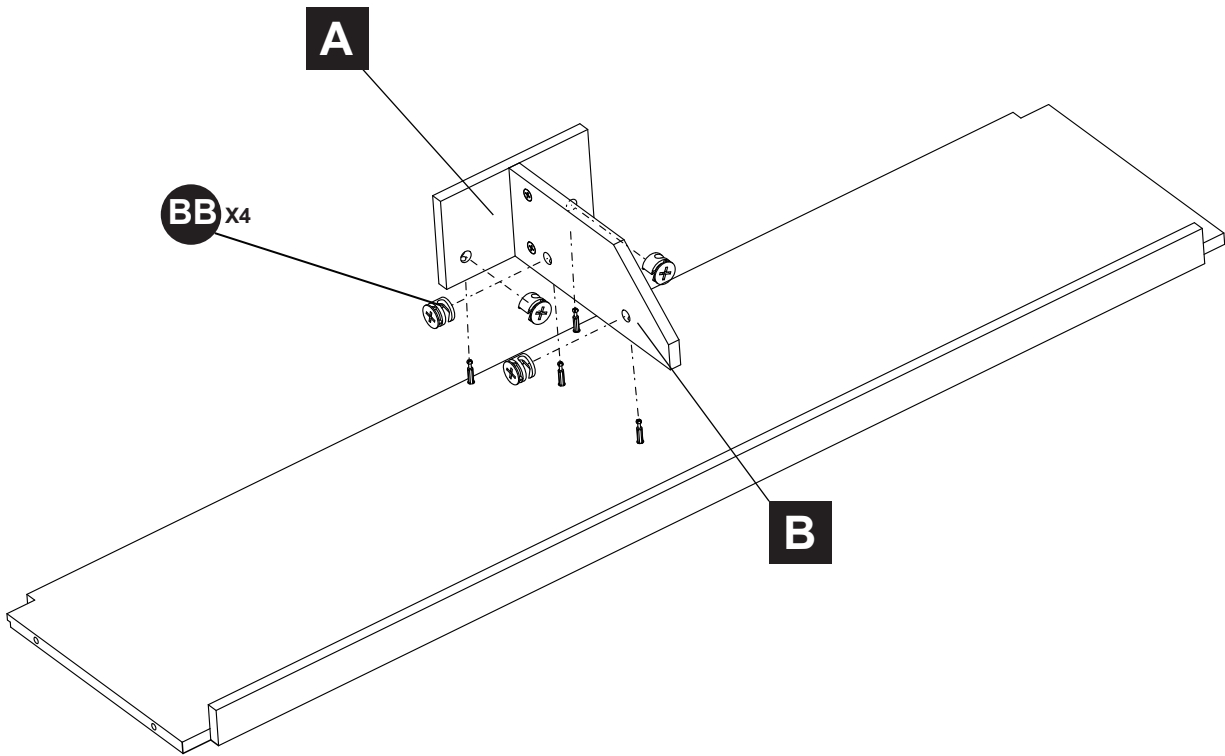


PACKAGE STEPS

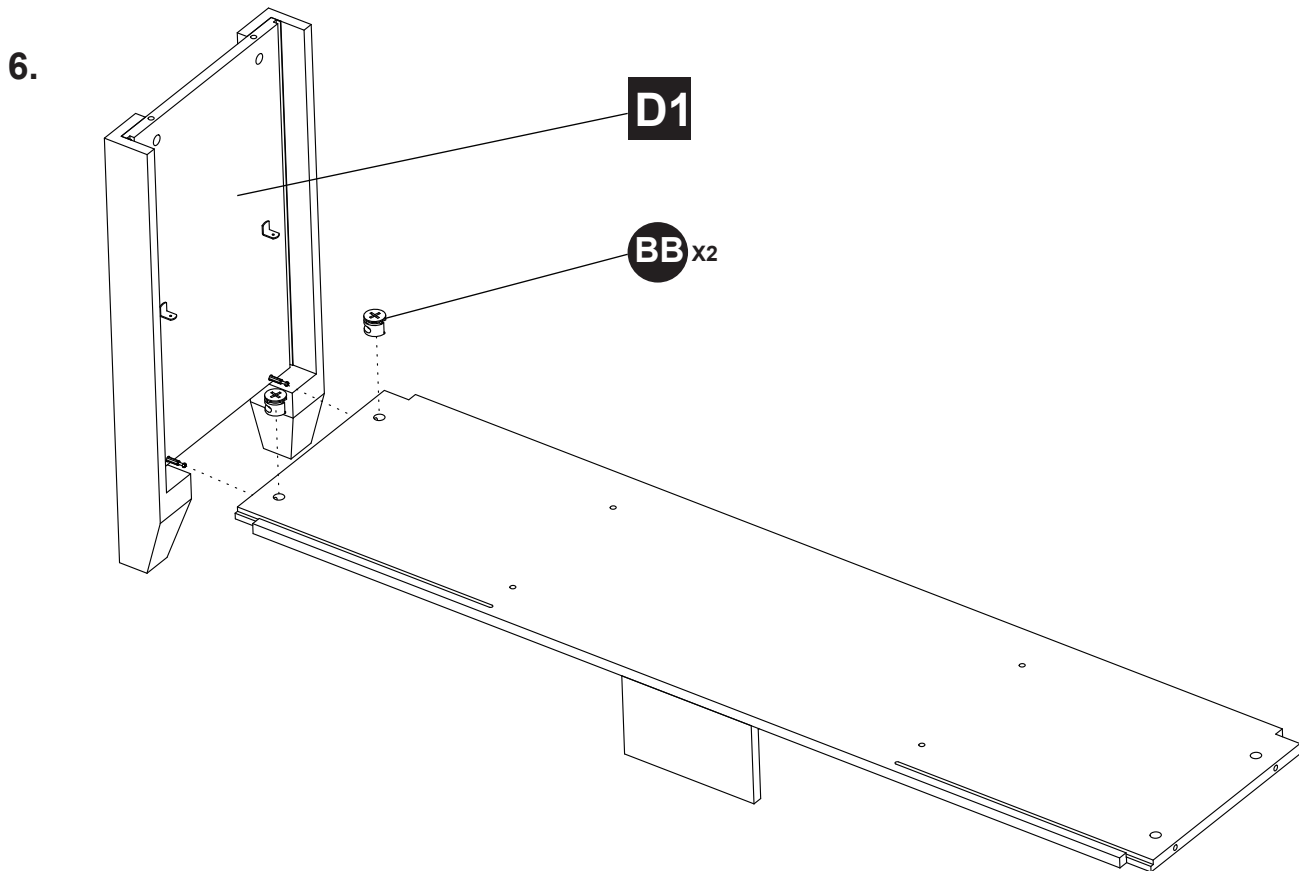
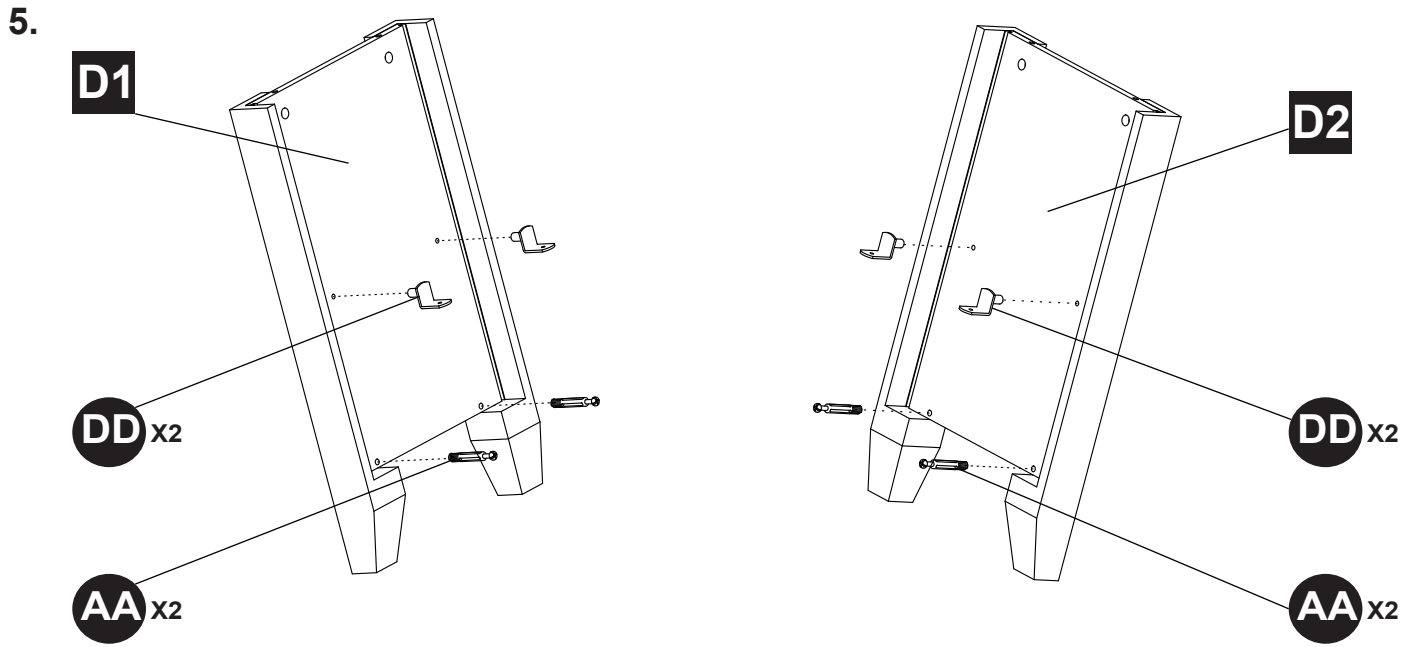
3.



4.

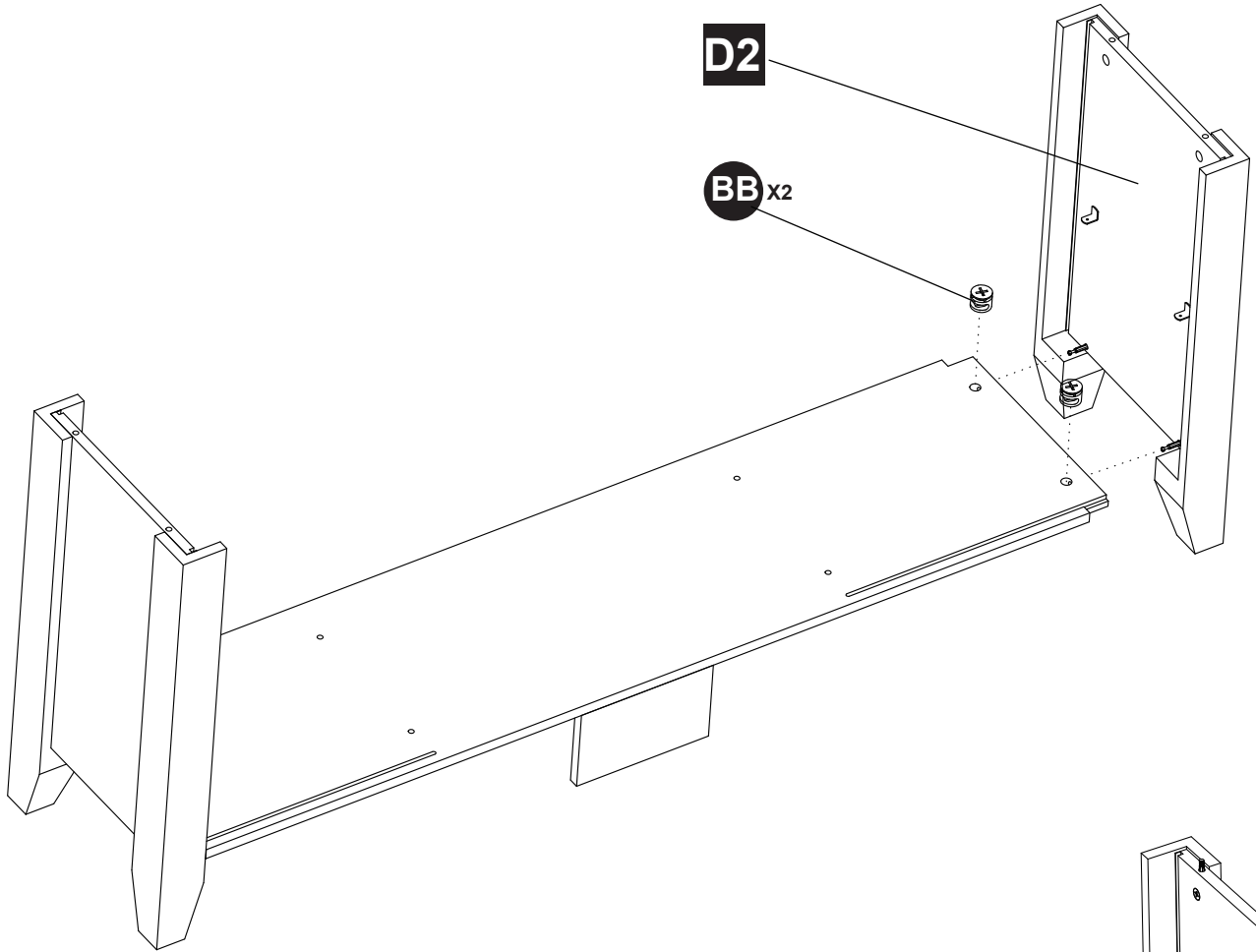


PACKAGE STEPS

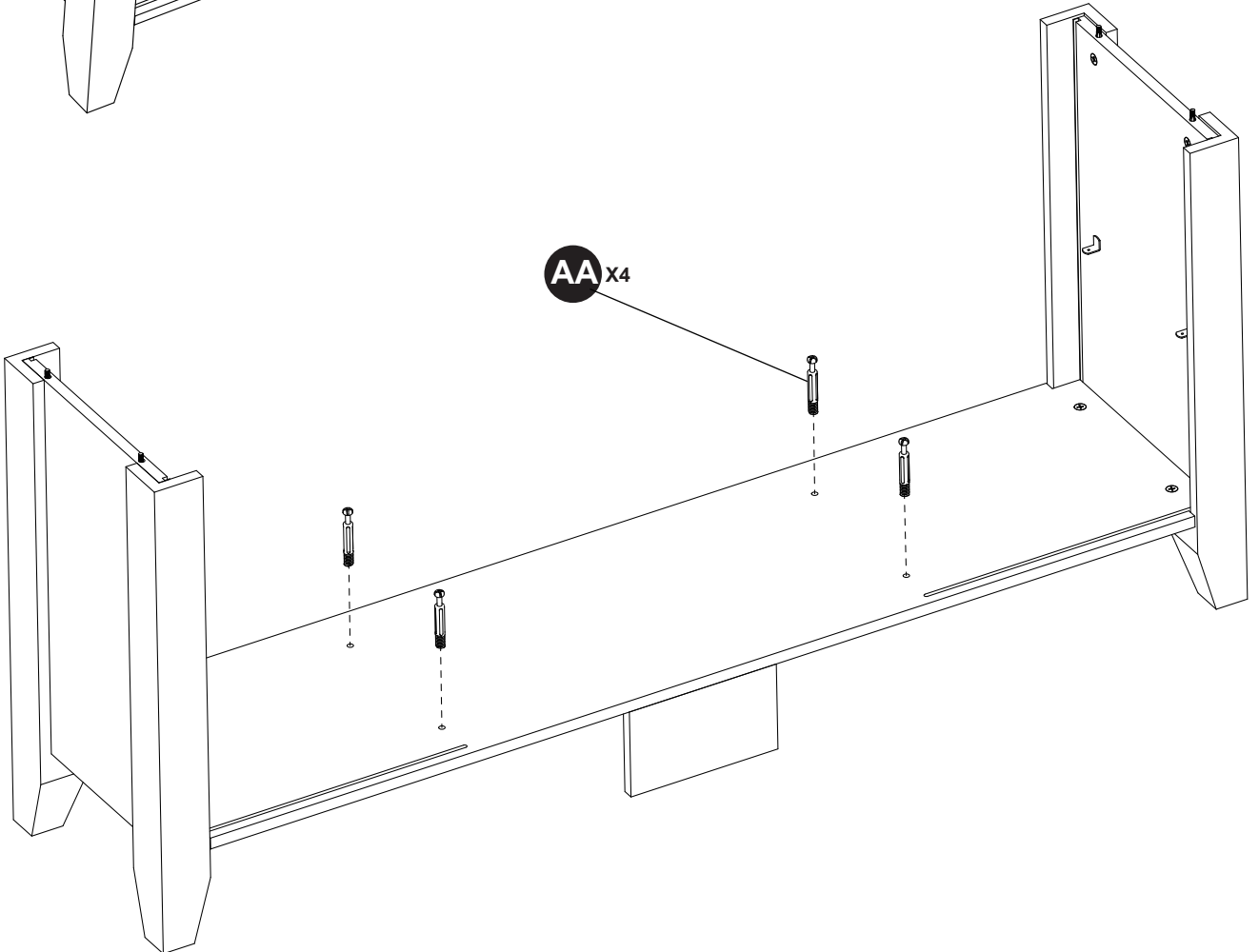


PACKAGE STEPS

7.

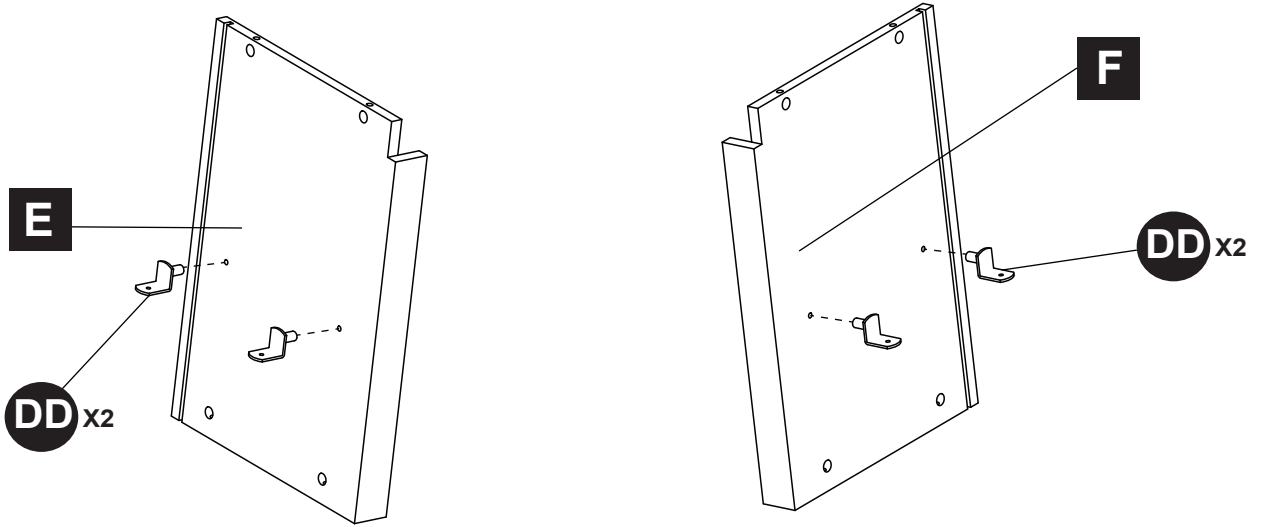


8.

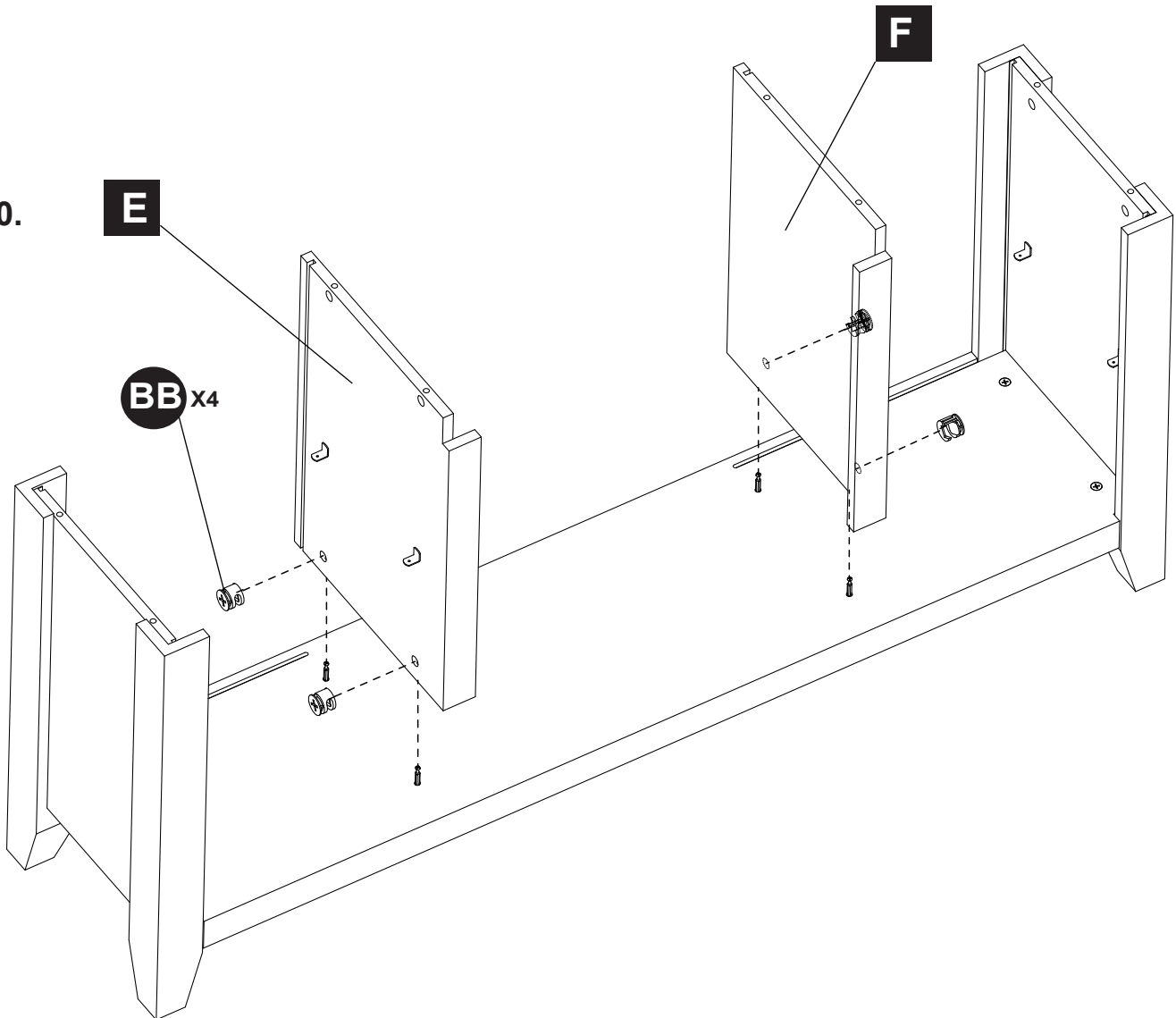


PACKAGE STEPS

9.

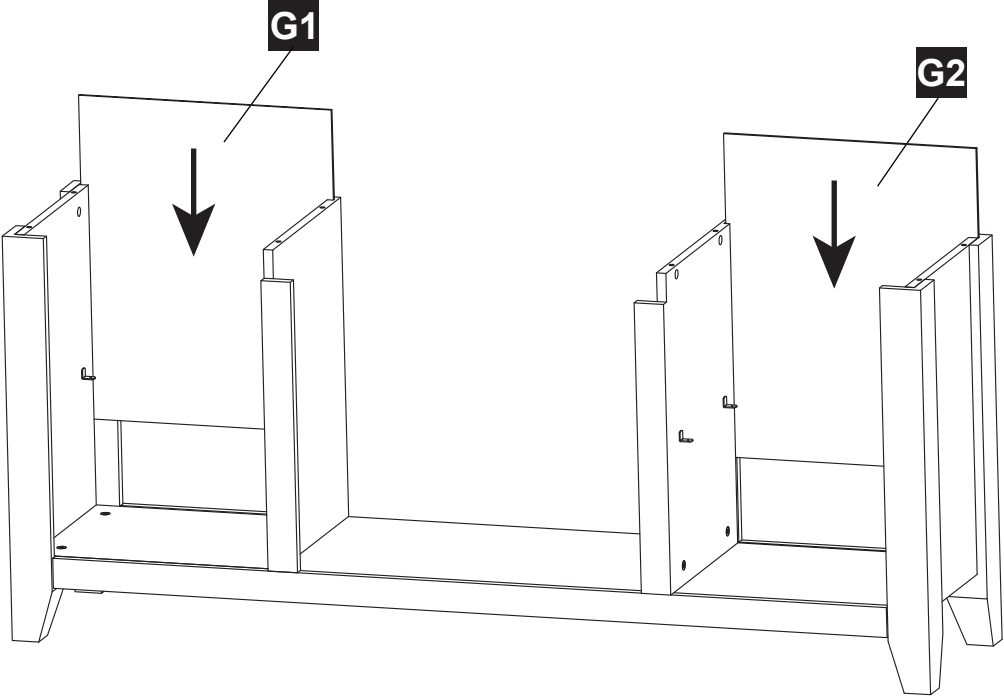


10.

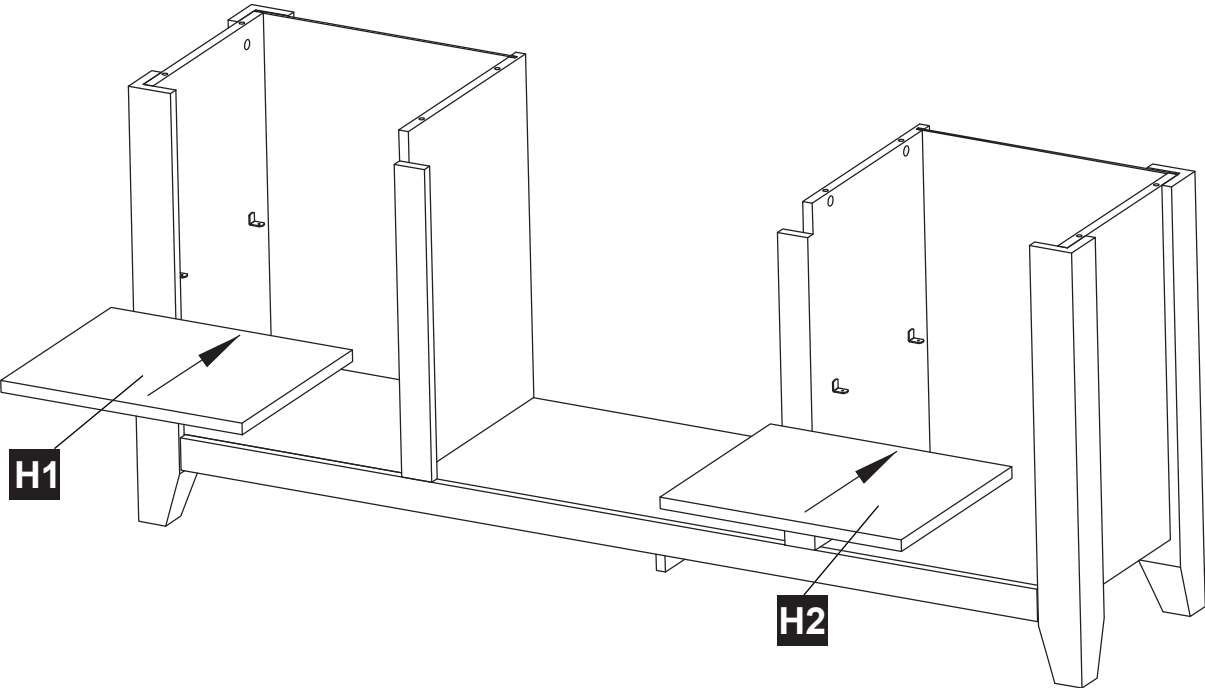


PACKAGE STEPS

11.

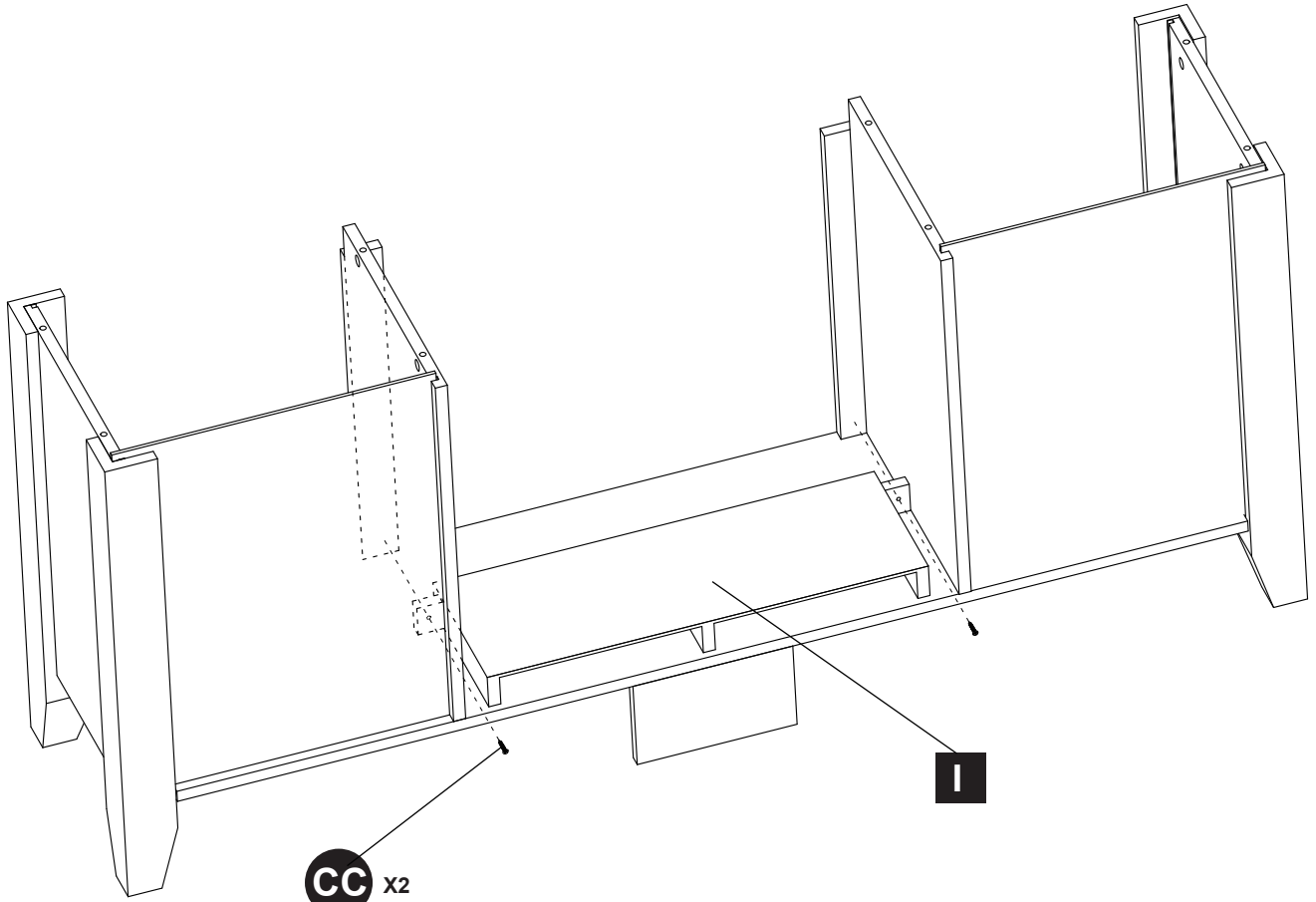


12.

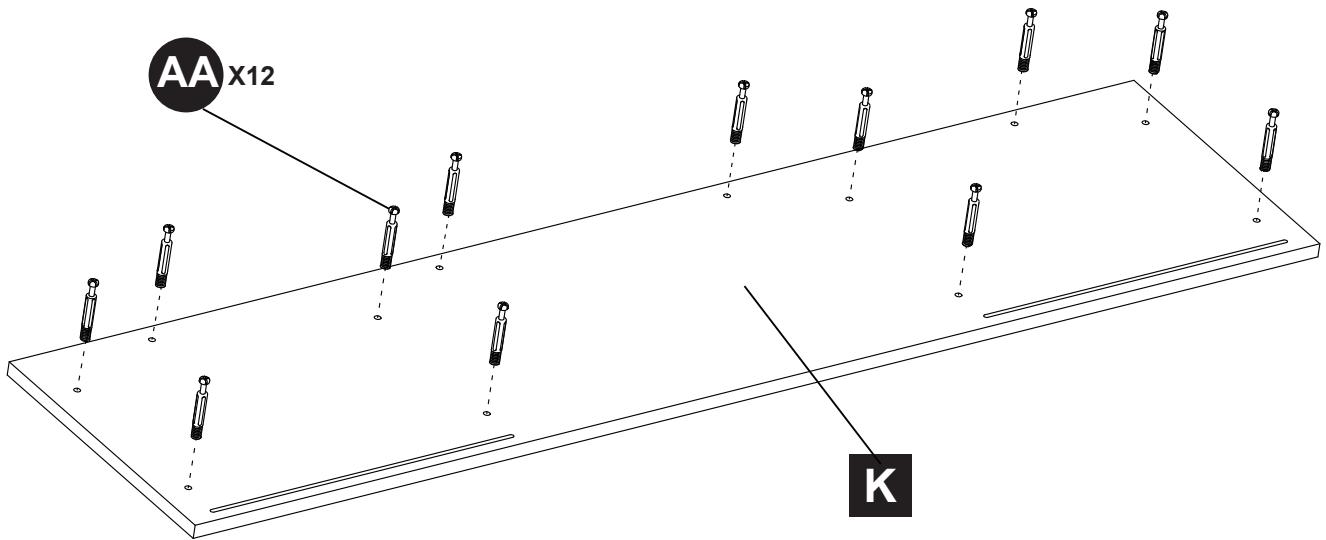


PACKAGE STEPS

13.

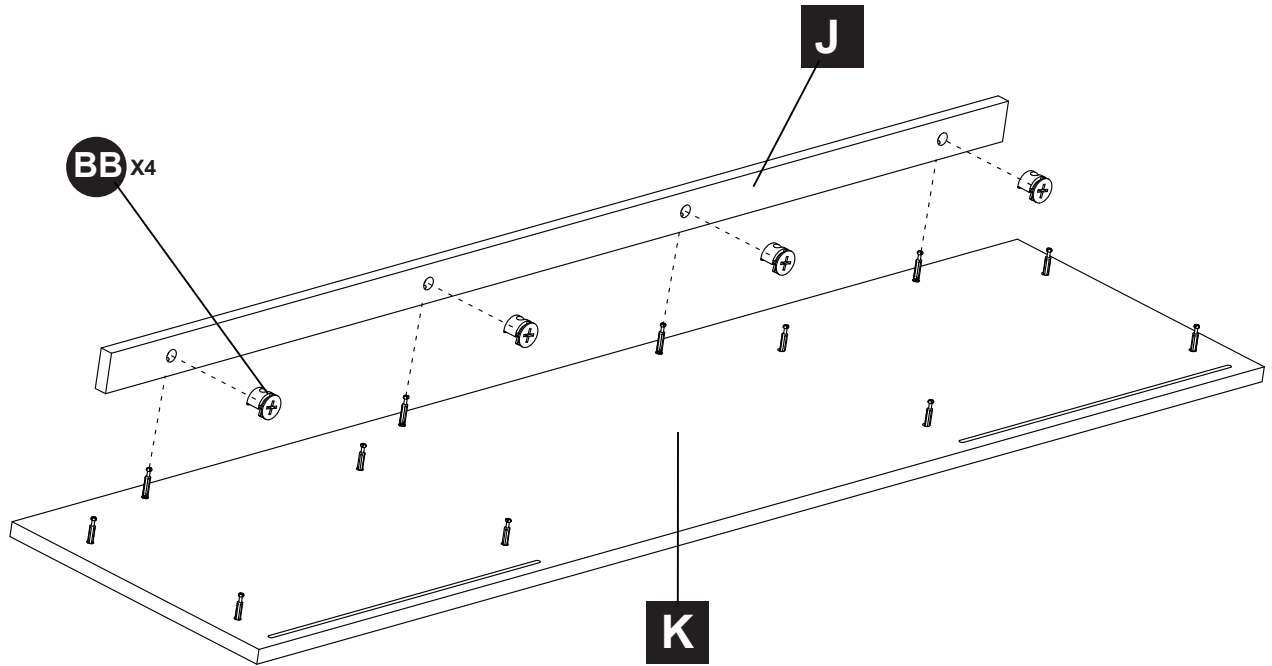


14.



PACKAGE STEPS

15.



16.

