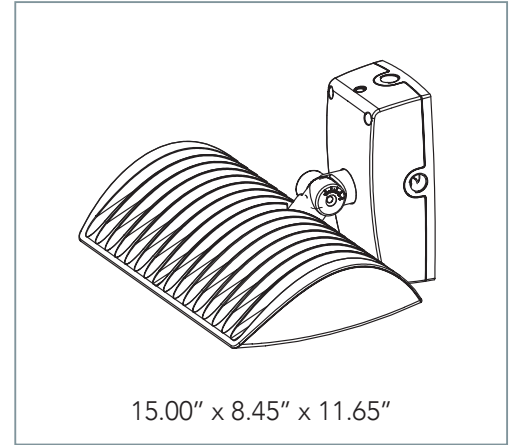
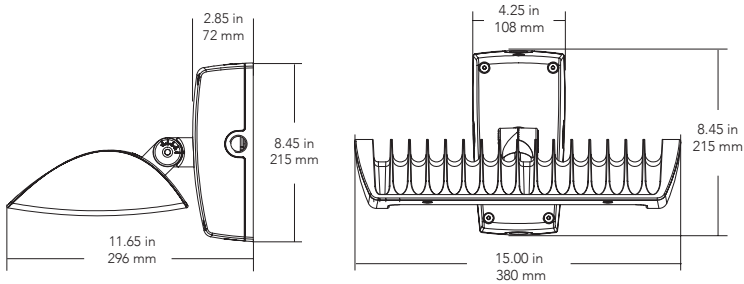


MOUNTING INSTRUCTIONS WALL PACK LIGHT

SUITABLE FOR WATTAGES: 26W



IMPORTANT: READ BEFORE REMOVING FIXTURE FROM CARTON. RETAIN FOR FUTURE REFERENCE.

This fixture must be wired and installed in accordance with the NATIONAL ELECTRICAL CODE and all state and applicable local codes and ordinances. These codes and ordinances supersede any and all instruction contained herein. Installation should be performed only by a licensed and bonded electrician and a person familiar with the construction and operation of the product and the hazards involved in the installation and operation of this product. Proper grounding is required for safety. Make certain power is OFF before installing or maintaining fixture. Failure to do so may increase the RISK OF PERSONAL INJURY, PROPERTY DAMAGE, FIRE, AND DEATH. The manufacturer takes no responsibility for the product not installed under those guidelines and those contained in this document. See wiring diagram on back.

CAUTION: For proper weatherproof function all gaskets must be seated properly and all screws inserted and tightened firmly. Apply weatherproof silicone sealant (NOT included) around the edge of the Wall Box and/or Junction Box. This is especially important with an uneven wall surface. Silicone all plugs and unused conduit entries.

MOUNTING INSTRUCTIONS:

JUNCTION BOX MOUNTING:

1. Unscrew 4 screws to open back box (Fig. 1)
2. Knock-out desired J-box mounting hole locations
3. Thread wire through hole in back housing and make wire connections in j-box
4. Place gasket between back housing and J-box then fasten securely to J-box
5. Re-attach fixture to back housing

SURFACE MOUNTING:

1. Unscrew 4 screws to open back box (Fig. 1)
2. Knock-out desired mounting hole locations
3. Place gasket between wall and back housing and then secure housing to wall
4. Remove plug from desired conduit entry location and attach conduit, then make wiring connections
5. Re-attach fixture to housing

AIMING:

Loosen hex bolt to aim head to desired location, then fasten bolt securely.

FIXTURE IS SUITABLE FOR WET LOCATION

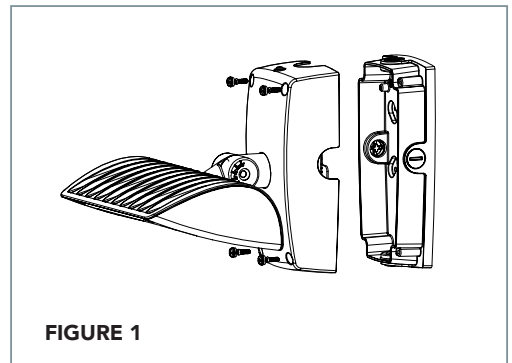


FIGURE 1

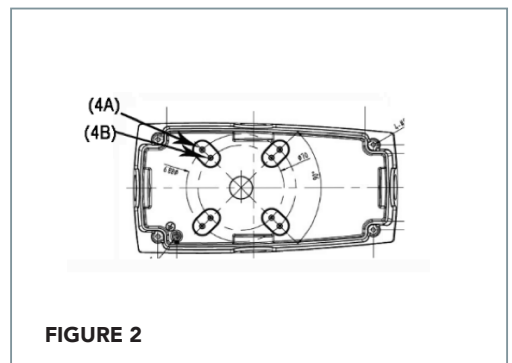


FIGURE 2

MOUNTING INSTRUCTIONS

WALL PACK LIGHT

SUITABLE FOR WATTAGES: 26W

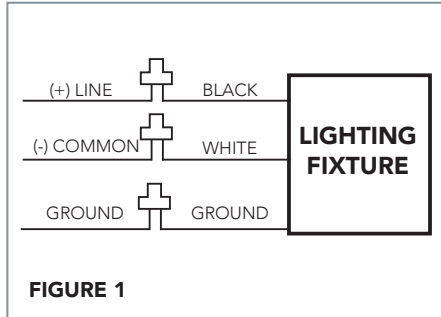


FIGURE 1

ON-OFF WIRING METHOD:

Universal voltage driver permits operation at 120V through 277V, 50 or 60 Hz. Units ordered with (480V) suffix are 480V, 60Hz. For Non-Dimming, follow the wiring directions as in FIG. 1

1. Connect the GROUND wire from fixture to supply ground
2. Connect the white fixture lead to the (-) COMMON supply lead
3. Connect the black fixture lead to the (+) LINE supply lead

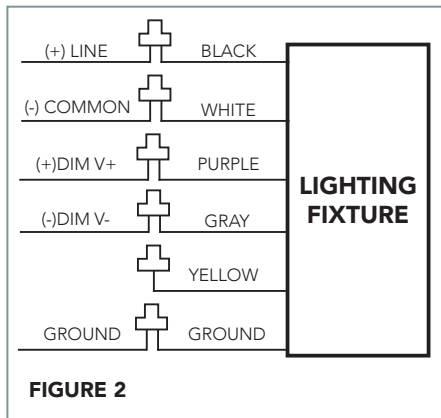


FIGURE 2

0-10V DIMMABLE WIRING METHOD:

Universal voltage driver permits operation at 120V through 277V, 50 or 60 Hz. For 0-10V Dimming, follow the wiring directions as in figure 2

1. Connect the GROUND wire from fixture to supply ground
2. Connect the white fixture lead to the (-) COMMON supply lead
3. Connect the black fixture lead to the (+) LINE supply lead
4. Connect the purple fixture lead to the (V+) DIM lead
5. Connect the gray fixture lead to the (V-) DIM lead
5. Cap the yellow fixture lead, if present. DO NOT connect

TROUBLESHOOTING:

1. Check that the line voltage at fixture is correct
2. Is there voltage at the lamp fixture wires? If there is no voltage, check all connections
3. Ensure that the fixture is grounded properly