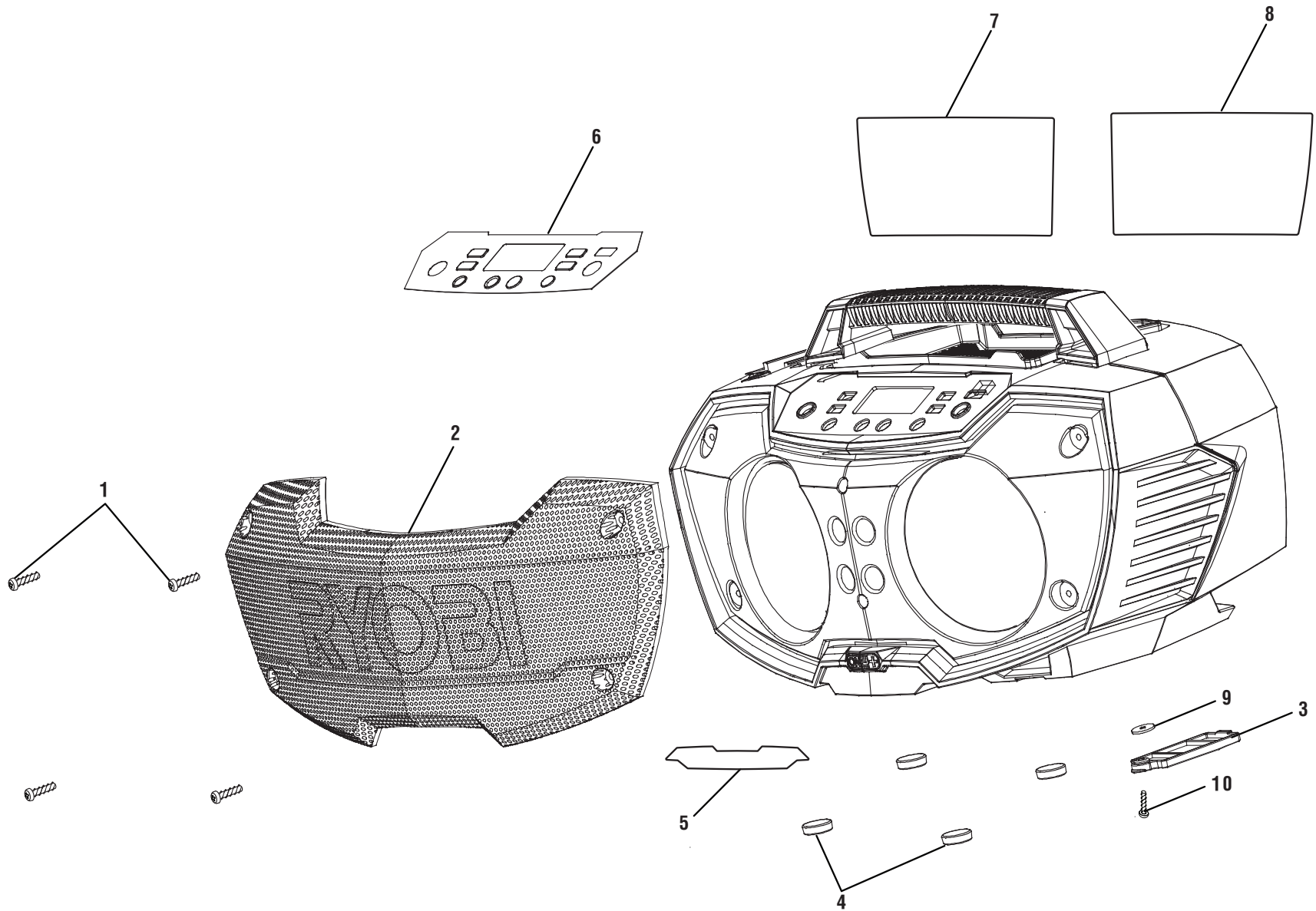


**RYOBI  
JOB-SITE RADIO  
MODEL NO. P746  
REPAIR SHEET**

RYOBI JOB-SITE RADIO – MODEL NUMBER P746



## RYOBI JOB-SITE RADIO – MODEL NUMBER P746

The model number will be found on a label attached to the motor housing. Always mention the model number in all correspondence regarding your **RADIO** or when ordering repair parts.

### PARTS LIST

KEY NO.	PART NUMBER	DESCRIPTION	QTY
1	019639001030	Screw (M3.5 x 14 mm) .....	4
2	019639001001	Speaker Grille.....	1
3	019639001053	AAA Battery Door.....	1
4	019639001029	Foam Pad.....	4
5	941013002	Hybrid Label.....	1
6	941014002	Control Panel Label.....	1
7	941003405	Data Label.....	1
8	941011009	Warning Label .....	1
9	019639001051	Washer (ID2.6 x OD6.0 x 0.5t).....	1
10	019639001052	Screw (M3 x 8 mm) .....	1
	<b>Not Shown:</b>		
	019508001082	Auxiliary Cable	
	991000096	Operator's Manual	
	7-29-15		
	(Rev:01)		