

# Retractable Awning Owners Manual



**6000 SERIES**

**7000 SERIES**

**8000 SERIES**

# FUTUREGUARD OWNER'S INSTALLATION & OPERATION MANUAL

## Products Covered

6000 Series

7000 Series

8000 Series

## TABLE OF CONTENTS

| <b>1. Introduction:</b>           |                                 | <i>Pages #</i> |
|-----------------------------------|---------------------------------|----------------|
| 1-1                               | Customer Service                | 2              |
| 1-2                               | Product Handling                | 2              |
| <b>2. Installation:</b>           |                                 |                |
| 2-1                               | Tools Needed for Assembly       | 2              |
| 2-2                               | House Preparation               | 2              |
| 2-3                               | Awning Installation             | 3              |
| 2-4                               | Weatherguard Cover              | 7              |
| 2-5                               | Roof Mount Installation         | 9              |
| 2-6                               | Motors & Controls               | 12             |
| <b>3. Operation:</b>              |                                 |                |
| 3-1                               | Manual Gear Operation           | 12             |
| 3-2                               | Motorized Operation             | 12             |
| 3-3                               | Pitch Adjustment                | 13             |
| <b>4. Care &amp; Maintenance:</b> |                                 |                |
| 4-1                               | Fabric Care & Cleaning          | 14             |
| 4-2                               | Frame Cleaning & Lubrication    | 14             |
| 4-3                               | Before Calling Customer Service | 15             |
| 4-4                               | Miscellaneous                   | 16             |
| <b>5. Warranty Information:</b>   |                                 |                |
| 5-1                               | Frame Warranty                  | 17             |
| 5-2                               | Fabric Warranty                 | 17             |
| 5-3                               | Motor Warranty                  | 18             |

# 1. INTRODUCTION

## 1-1 Customer Service:

*Congratulations and thank you for purchasing a Futureguard Retractable Awning.* We are confident of your satisfaction and years of enjoyment with our product. In order to make the best of your investment, be certain to familiarize yourself with the contents of the entire owner's manual before installation or operation. If you feel this procedure is too difficult to achieve on your own, seek the assistance from a local home improvement or building contractor. **Important:** Improper installation and operation of your awning can result in product failure not covered by warranty.

**If you are experiencing problems,** first try the solutions suggested in **Sec. 4-3** or call our Customer Service Support Team. Our well-trained staff can assist you and resolve any questions or problems you are experiencing.

**Futureguard Customer Service Center 1-800-858-5818**  
**Monday - Friday 8:00 am - 5:00 pm**

## 1-2 Product Handling:

Your new Retractable Awning has been constructed, packaged, and shipped with the utmost care and state-of-the-art technology. Take care when removing the awning from the shipping container so it will be protected from accidental damage or soiling. Once the awning has been removed from the shipping container do not drop or drag the awning across the ground. Transport the awning by lifting on the square support tube that runs the entire length of the awning. It is also very important to take care when removing the packaging material around the awning. The fabric material is just below the clear protective wrap and use of a razor knife can slice into it. The flat surface contained within are pieces of  $\frac{1}{2}$ " styrofoam that help protect the awning during shipping. Carefully cut the clear wrap down the entire length of the styrofoam. The remainder of the wrap can now be easily removed.

### **IMPORTANT WARNING!**

*Your new awning is intended as a protection against the sun only. It is not to be used during periods of strong wind, rain, hail, or snow. The warranty will not cover use during these periods.*

# 2. INSTALLATION

## 2-1 Tools needed for assembly:

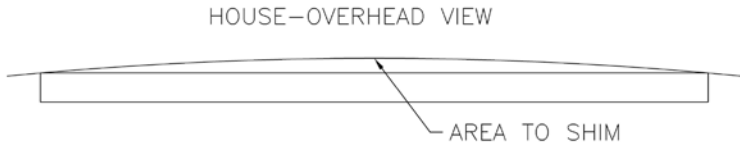
- |   |                 |
|---|-----------------|
| A. Drill  | D. Level        |
| B. $\frac{1}{4}$ " Drill Bit                    | E. Caulking     |
| C. $\frac{9}{16}$ " Socket or Adjustable Wrench | F. Tape Measure |

## 2-2 House Preparation:

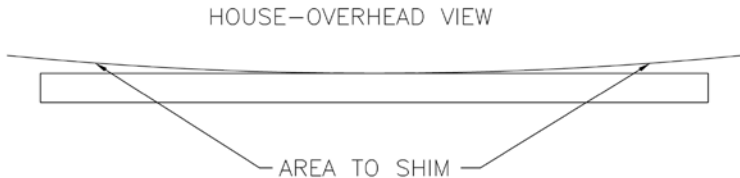
Inspect the surface to which the awning is to be mounted. Be sure you have a clear span with no light fixtures, downspouts or other obstructions. Sight the wall surface to be sure there are no bows or sweeps in the wall. (See Detail #1a & #1b) If there are, shimming the mounting brackets or ledger board will be required at time of installation. Since the awning weighs 7-10 pounds per linear foot, it is important to install the mounting brackets securely to

support the weight of the awning when extended. It is ***critical*** that the mounting lag bolts be installed into a stud or header board. Plywood sheathing or equivalent will not support the awning. If the awning is to be mounted under the soffit (overhang), a Weatherguard Cover is not necessary. However, if your awning is not protected we strongly recommend the purchase of a Weatherguard Cover. See your local retailer where you purchased this awning.

**DETAIL #1A**



**DETAIL #1B**



If you have chosen the roof mount option, please see the instructions in Sec. 2-5 Roof Mount Installation at this time. You will return to Sec. 2-3 Awning Installation instructions later.

**2-3 Awning Installation:**

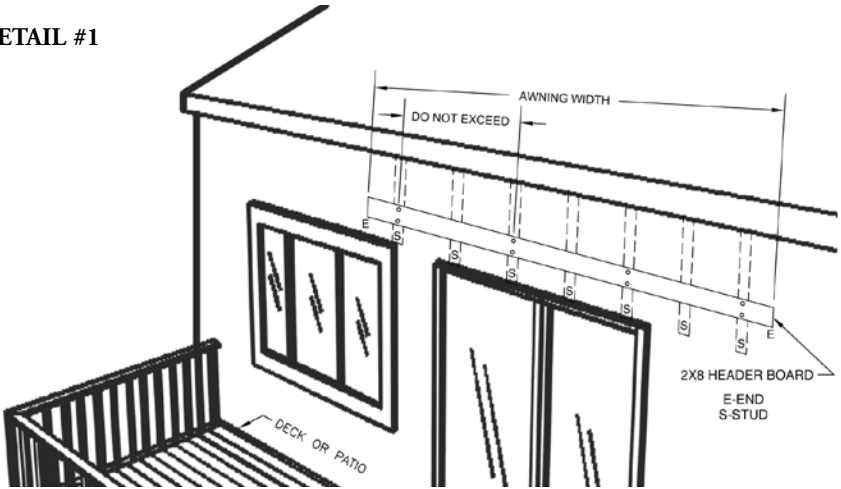
For wall mount installation, there are two options available. Choose the one that best fits your desired application. For the best installation on any surface use option "A". If mounting over stucco use option "A" only.

To achieve the proper amount of headroom under your awning, after the installation is completed, we recommend securing the mounting brackets a minimum of 7'-6" above the deck or patio. **If you have ordered the optional WeatherGuard Cover (Sec. 2-4), see the instructions for additional information and brackets required during the installation of options "A" or "B".**

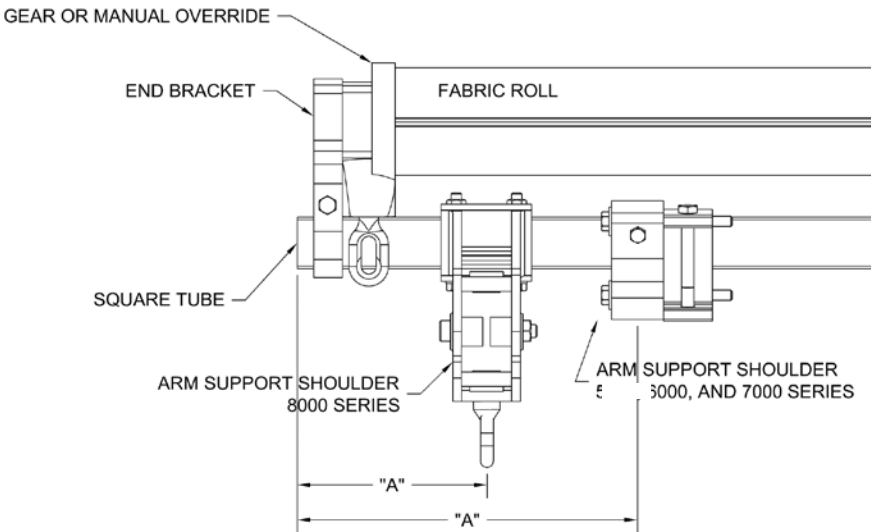
**Option "A"** (See Detail #1) Measure the length of the awning. Determine the position (left to right) on the wall where the awning is to be mounted, and mark each end with an "E" for end. Locate all studs between the two "E's" and mark the siding with an "S" over each stud. Install a 2" x 8" pressure treated header board on the wall at desired mounting height, the entire length of the awning. Use a 2" x 10" if you have ordered the Weatherguard Cover option. (Other dimensional materials such as spruce may be used for the header board, but must be capped with aluminum, painted or stained for weather protection). The header board can be mounted directly over wood lap siding with the use of siding blocks or shims available

at your local retailer, however if your home has vinyl siding we recommend cutting and removing the siding, and securing the header board through the sheathing into the studs directly. **(Be sure the header board is level).** Hardware for securing the header board to the wall is not provided but it is recommended that 3/8" galvanized lag bolts and washers be used. **It is critical that all lag bolts be mounted into structural material such as studs or box sill.** Counter sink the lags, and caulk all joints. To install the mounting brackets (See Detail #2), measure the distance in on both sides of the awning to the center of the arm

**DETAIL #1**

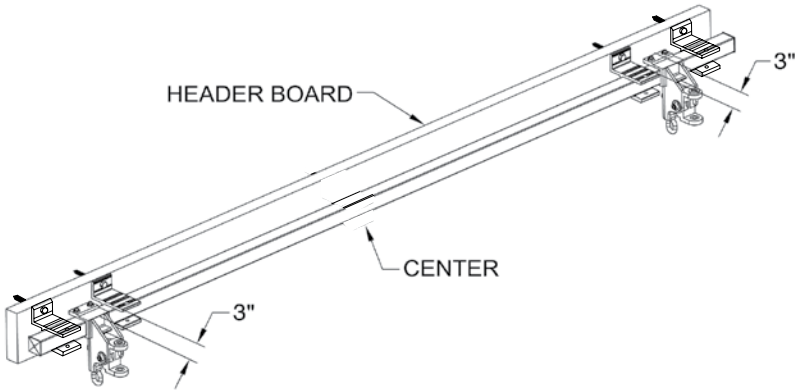


**DETAIL #2**



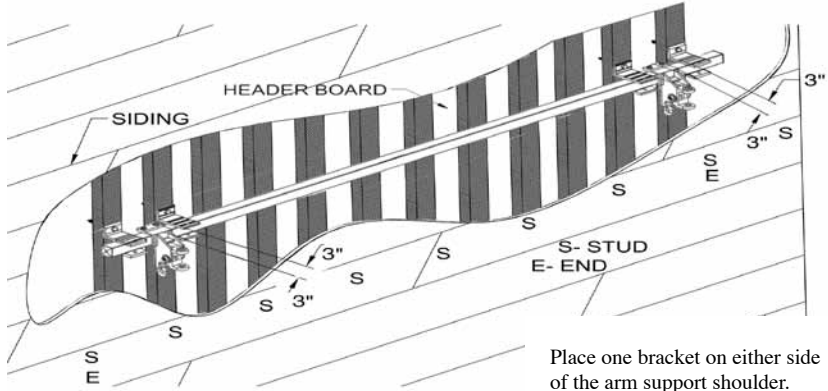
supports (shoulder). Mark this on the header board with an "A". (See Detail #3). Measure over a minimum of 3" to either side of this mark and using the mounting bracket as a guide, mark the hole locations. Important: If the arm supports are more than 12" from the end of the awning, install the mounting brackets to the outside of the arm support. Drill 1/4" pilot holes centered on the hole and then install the mounting brackets with the 3/8" x 4" galvanized lag bolts and washers provided. On wider awnings, center additional brackets.

### DETAIL #3



**Option "B"** (See Detail #4) Mounting brackets can be installed directly on the wall. It is critical that all brackets be mounted level, plumb, and on the same surface plane. Brackets that are out of alignment, or mounted on an uneven wall surface will cause the awning not to function properly. To install, measure the entire length of the awning. Determine the position (left to right) on the wall where the awning is to be located and mark both ends with an "E" for end. Locate all studs between the two "E's" and mark the siding with an "S" over each stud. (See Detail #2) Measure the distance from each end of the awning to the center of the arm supports, then transfer this measurement in from both "E" marks and mark this measurement "A" for arms. Locate the "S" mark closest to each of the "A" marks, allowing at least 3" for the arm support (shoulders). With the mounting bracket as a guide, mark the hole locations centered on the stud and drill 1/4" pilot holes. Attach the mounting brackets using the 3/8" x 4" galvanized lag bolts and washers provided. If possible, it may be necessary to move the awning left or right on the wall to accommodate the stud locations. **It is critical that all lag bolts are mounted into the studs.** On wider awnings center additional brackets and secure to the studs.

## DETAIL #4



Place one bracket on either side of the arm support shoulder.

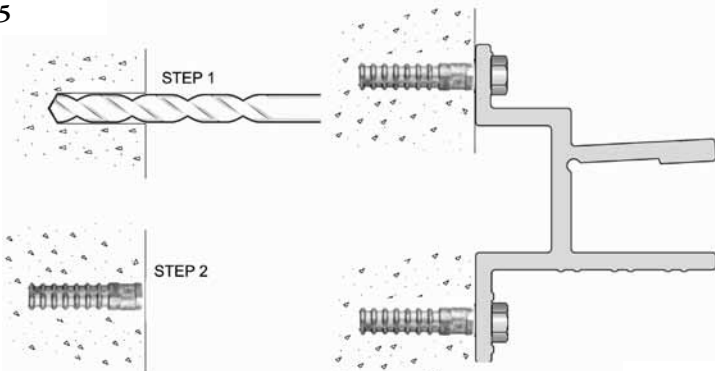
## INSTALLATION ON MASONRY:

### Tools needed for assembly:

- A. Drill
- B.  $\frac{3}{16}$ " or  $\frac{1}{4}$ " masonry drill bit
- C.  $\frac{5}{8}$ " masonry drill bit
- D.  $\frac{9}{16}$ " socket or adjustable wrench

(See Detail #5) **Caution - Installation must be on structural masonry. If mounting on brick veneer, you must use longer lag bolts and secure into framing members. Ask your local home center for proper fasteners and techniques.** You can use either Option "A" or "B" from above following the bracket positioning instructions. With the mounting brackets as a guide, mark the hole locations on the masonry and drill a  $\frac{3}{16}$ " -  $\frac{1}{4}$ " hole about  $2\frac{1}{4}$ " deep using a masonry drill bit. Enlarge the hole using a  $\frac{5}{8}$ " masonry drill bit to the final size necessary. Insert the lag shields supplied and secure mounting brackets using the  $\frac{3}{8}$ " x  $2\frac{1}{2}$ " lag bolts supplied.

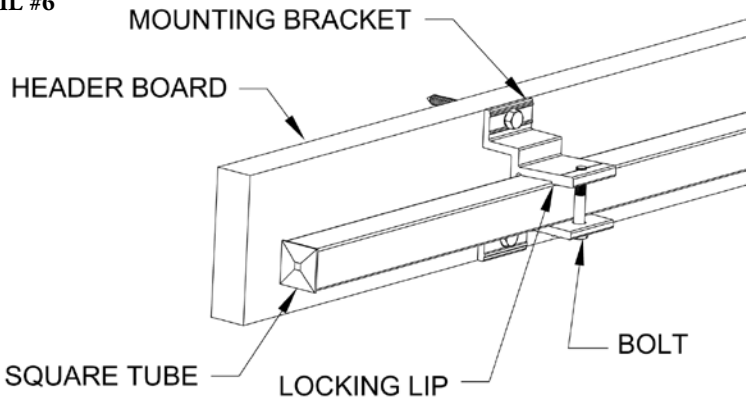
## DETAIL #5



## Mounting the Awning:

Once all the mounting brackets have been installed on the wall, it is time to place the awning in the brackets. This step will require at least 2 people. ( See Detail #6) Lift the awning and slide the mounting bar (support tube) into the mounting brackets. The gear loop will be at the bottom of the awning. Secure the mounting bar to the mounting brackets with the bolts supplied. Be sure the mounting bar is seated flush to the back of the bracket. Slide the bolts up through from the bottom of the bracket and thread into the top hole. Be sure to tighten completely so that the locking lip on the inside of the mounting bracket locks down over the mounting bar.

### DETAIL #6



At this time you can remove any remaining protective packaging, wraps, and ties from the under side of the awning.

### 2-4 Weatherguard Cover: *(Optional for 6000, 7000, 8000 series)*

The optional Weatherguard Hood Cover is designed to keep your awning dry and free from direct sunlight when not in use. If your awning is motorized then it will also serve as protection from moisture, which could damage the internal components of the motor. The Weatherguard Hood may be installed before or after the awning has been installed on the home. We recommend that it is installed after because it will add less overall weight and will be less cumbersome when the awning is lifted into place.

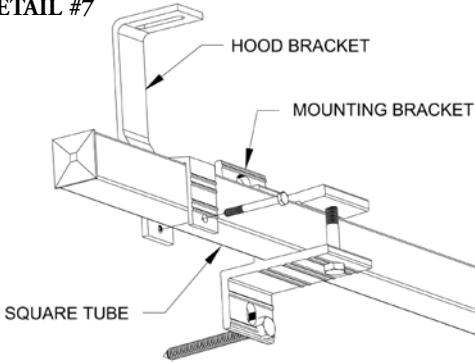
### Tools needed to complete the assembly are as follows.

- E. 13mm socket or adjustable wrench
- F. Philips screwdriver
- G. 5mm allen wrench



1. Attach a Weatherguard Hood Bracket next to each wall bracket (See Detail #7)

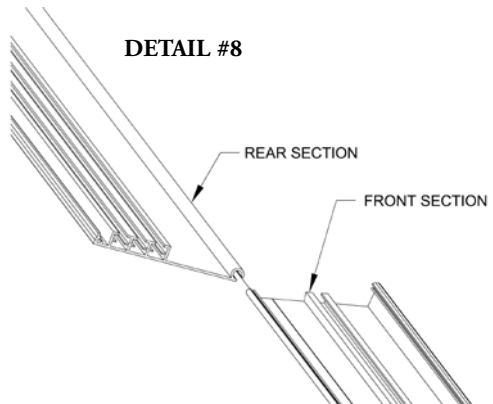
**DETAIL #7**



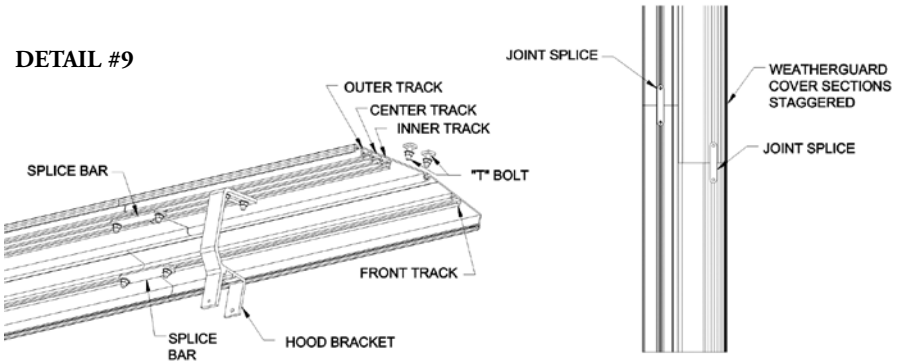
2. Slide the hood sections together as shown in (Detail #8). For hood covers with multiple sections, stagger the joints. (See Detail #9) Slide 2 "T" bolts in the center track placing one on either side of the joint. Place a splice bar over the bolts and fasten with nuts. Repeat this process on the front portion of the hood. **For hood to perform properly, joints must be staggered.**

Next, count the number of hood-mount brackets on the square tube. From the end of the awning, measure along the square tube the distances from the end of the awning to the position of each of the hood brackets and transfer these measurements to the Weatherguard Hood. Slide 1 "T" bolt in the outer track for each hood bracket and "T" bolt in the inner track for each hood bracket. (See Detail #9) Install both end caps with

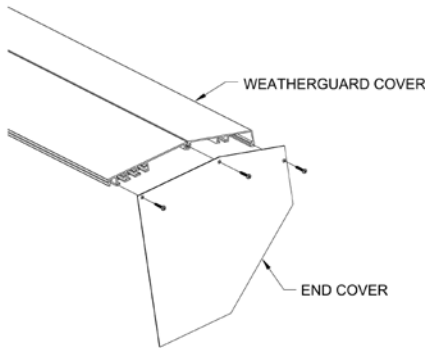
**DETAIL #8**



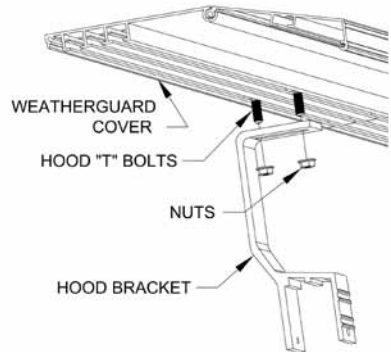
**DETAIL #9**



**DETAIL #10**



**DETAIL #11**



the Philips screws provided. (See Detail #10) Lift the hood into place and align the "T" bolts with the slot in the hood brackets and secure with nuts. If the Weatherguard Cover needs to be closer to the house, then the "T" bolts should be moved from the outer track to the center track (See Detail #11)

**2-5 Roof Mount Installation: (6000, 7000, 8000 series only)**

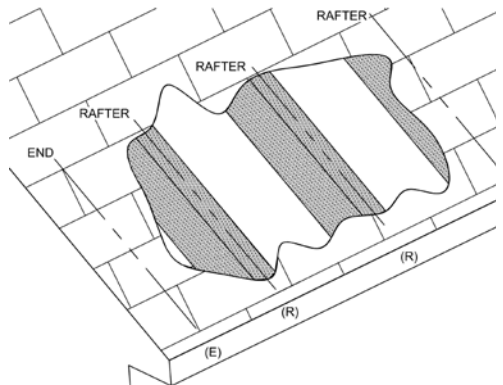
When installing roof mount brackets, it is important that all brackets be level, and plumb to the front of the fascia. By mounting the brackets plumb to the fascia, gear operation can be utilized from the deck or patio with the use of the hand crank. A proper sealant must be used around all lag bolts through roofing to prevent any possibility of leaking. Ask your retailer for their recommendation of sealant. The following instructions assume the installation is on a pitched roof with standard roof shingles and wood frame construction. For all other types seek the assistance of a local building contractor.

**Tools needed for installation:**

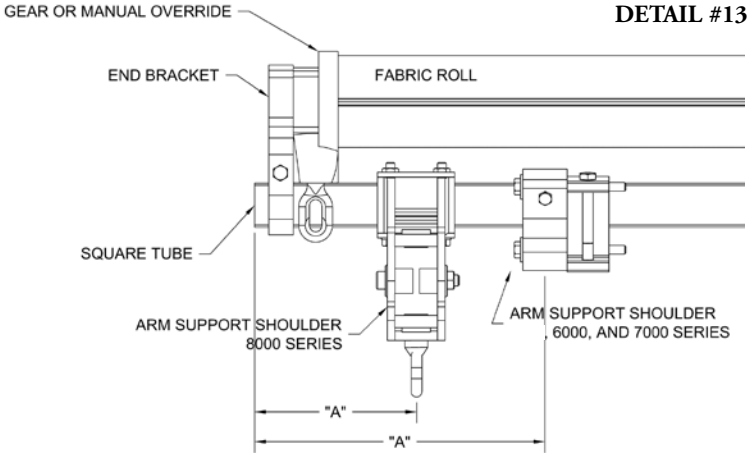
- A. Drill
- B. 1/4" Drill Bit
- C. 3/8" Drill Bit
- D. Adjustable Wrench
- E. Level
- F. Step Ladder
- G. Caulking Gun

First, measure the entire length of the awning. Determine the position (left or right) on the roof where the awning is to be located and mark both ends with an "E" for end. Locate all the roof rafters between the two "E's" and mark the edge of the roofing with an "R" over each rafter. (See Detail #12) Measure the distance from each end of the awning to the center of the arm supports, (See Detail #13) then transfer this measurement in from both "E" marks, and mark this measurement "A" for arms.

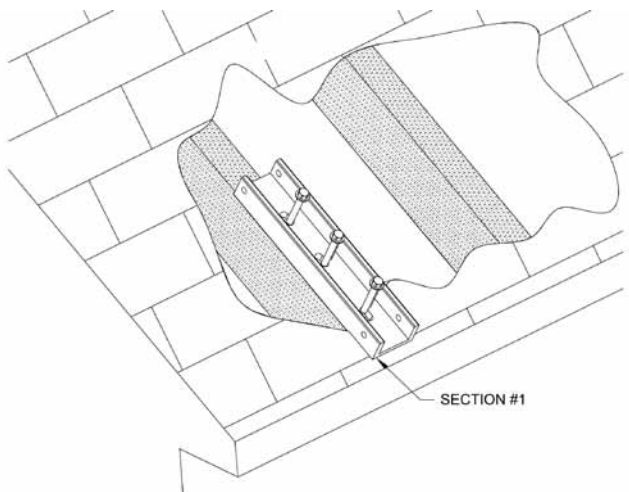
**DETAIL #12**



Locate the "R" mark closest to the "A" mark. With roof bracket Section "1" as a guide, position the bracket on the "R" mark and drill three 1/4" pilot holes through the roofing and into the rafter. Now attach Section "1" of each roof mount bracket using three 3/8" x 4" galvanized lag bolts with a washer under each head. Do not completely tighten at this time. (See Detail #14) Be sure to center the lag bolts in the middle of each of the oval slots and apply sealant around each bolt at the time of installation. On wider awnings, center additional brackets and install over roof rafters. **Important: Before securing lag bolts, be sure all roof brackets are on the same plane. TIP: Stretch a piece of string along the front of all the roof brackets and adjust as necessary. The oval slots in Sec. "1" allow this piece to be adjusted.** Once all the Sec. "1" pieces are attached and on the same plane, they can be tightened securely to the roof.

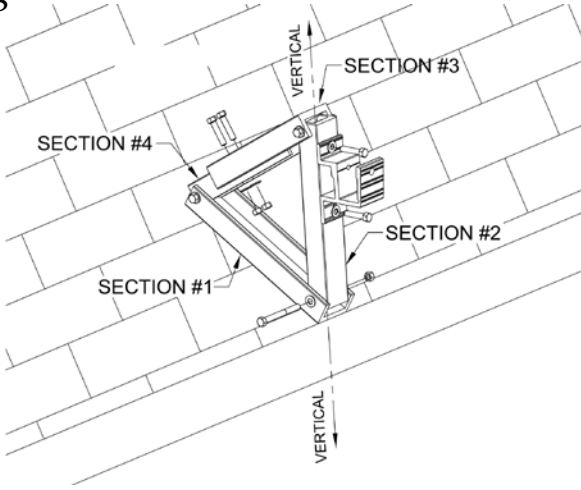


DETAIL #14

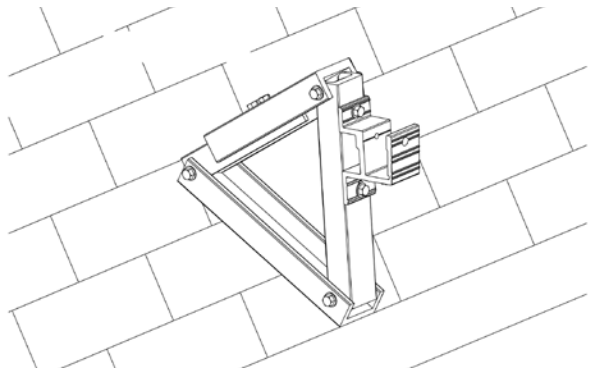


Attach remaining sections to Sec. "1" using the  $\frac{3}{8}$ " x  $3\frac{1}{2}$ " hex bolts, washers, and nuts provided. (See Detail #15) Do not completely tighten the bolts at this time. Attach Sec. "2" to the front of Sec. "1". Attach Sec. "4" to the back of Sec. "1". Attach Sec. "3" to the top of Sec. "2". Once all roof brackets have been assembled, fold the bracket forming a triangle. Section "3" and "4" can now be adjusted to form a level vertical face on Sec. "2". Once the face is level, you will need to drill two  $\frac{3}{8}$ " holes through Sec. "4" using the predrilled holes in Sec "3" as a guide. **Tip: A clamp can be used to hold Sections "2" and "3" together while drilling the holes.** Once this is completed, secure the two sections together with two  $1\frac{1}{2}$ " hex bolts, washers and nuts provided. All other sections of the roof mount bracket may now be tightened securely. (See Detail #16) Complete the same procedure on the remaining roof brackets. Now install one awning mounting bracket to the front of each roof mount bracket with two  $\frac{3}{8}$ " x  $1\frac{3}{4}$ " bolts with a washer under the head, and another under the nylock nut. Be sure all mounting brackets are level and on the same plane. Tighten securely. **You may now return to Sec. 2-3 Awning Installation (Mounting the Awning pg. 7) at this time.**

**DETAIL #15**



**DETAIL #16**



## 2-6 Motors and Controls: (optional)

If you purchased the optional motorized version, your Futureguard Retractable Awning has been equipped with a state of the art electric motor that requires no maintenance and is pre-wired and ready to use.

### **Remote Control System:**

A 12' plug-in power cord and hand held transmitter are provided for ease of installation and operation. **Warning; Before you plug in your motor, be sure the receptacle is equipped with a GFI (Ground Fault Interrupter).** If it is not, have your local electrician install one before you plug it in. Your awning has also been equipped with a manual override. The manual override feature allows you to retract the awning during power loss and protect the awning from storm and wind damage. **Do not** operate the manual override while the awning is under power or severe damage will occur.

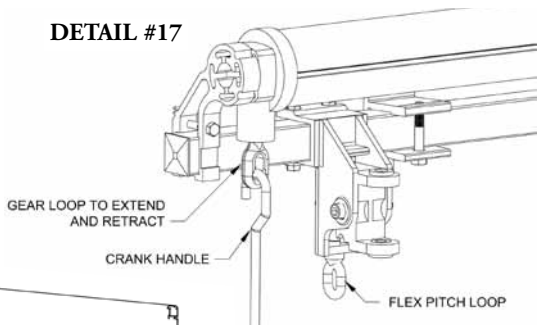
If you ordered a wind sensor, see the installation instructions included in the box with the control.

## 3. OPERATION

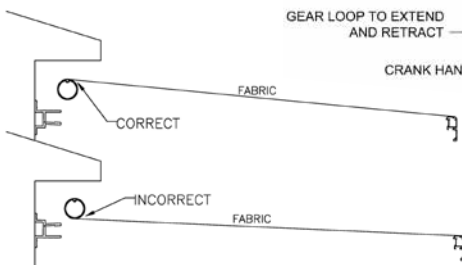
### 3-1 Manual Gear Operation:

Your awning may be extended or retracted from either the left or right side depending on how you ordered it. To extend the awning, place the hook end of your crank handle into the gear loop located at the far end of the awning. (See Detail #17) **Note: Before you operate the awning all arms must be at the same pitch/angle (8000 series only). Damage will occur if this procedure is not followed.** Turn the hand crank in a circular motion until the awning is fully extended and the arms “lock” in place. When the awning is fully extended the arms will not be straight. **Warning:** If you continue to unwind fabric off the roller tube, the fabric will sag and eventually start to roll up from the under side of the roller tube. This can cause the fabric to come out of alignment or damage the fabric. The fabric should always run over the top of the roller tube. (See Detail #18) To retract the awning, simply repeat the process, turning the hand crank in the opposite direction until the awning is fully retracted.

DETAIL #17



DETAIL #18



### 3-2 Motorized Operation:

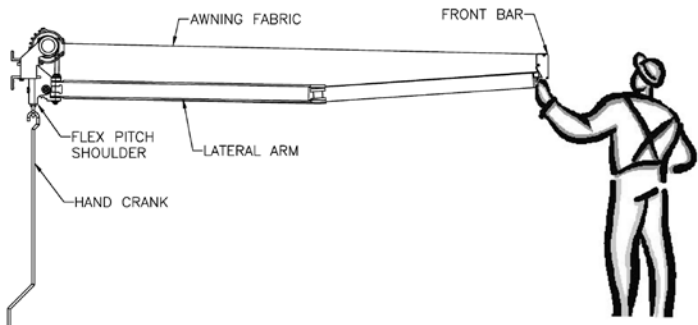
Your new motorized retractable awning has been equipped and preset with factory limit switches. These settings will allow you to extend or retract your awning to any position at the touch of a button, without the worry of over extending or retracting your awning. This system uses a remote control transmitter to operate the awning. Pressing the up button will retract the awning, pressing down will extend the awning, and to stop the awning, simply press the stop button. If the awning does not fully open or close, or once open the awning continues to run unrolling fabric; **STOP THE AWNING!!!!** and call our toll free hotline (1-800-858-5818). **Note: Your motor comes with a built-in heat sensor to prevent motor damage in the event of repeated use. This heat sensor will automatically shut the motor off to allow it to cool before it can be operated again. This cool down period normally takes between 10-15 minutes. Once the motor has cooled the awning can be operated normally. Your hand held transmitter is battery operated and replacement batteries are available at most electronic retail stores.**

### 3-3 Pitch Adjustment:

*Flex pitch Shoulder – 8000 Series only.*

This patented shoulder system allows you to adjust the angle of your awning to compensate for changes in the angle of the sun as the seasons change with only the use of your hand crank. To adjust the pitch (angle) of your awning, extend the awning no more than 1/4 its full projection. Next, insert the hook end of your hand crank into the silver pitch adjustment loop on the bottom of each shoulder. (See Detail #17) Now turn the hand crank in either a clockwise direction to lower the pitch or a counter-clockwise direction to raise the pitch. Follow the same procedure until all the arms have been adjusted to the desired level. You can adjust the pitch of your awning when it is fully extended **only** if another person holds up the front of the awning (or arm) and takes the added weight off the flex pitch bolt. (See Detail #19) Only the person adjusting the flex pitch can determine how high to lift the awning as the flex loop should turn easily. Over-lifting has the same affect as not lifting at all. **Important:** The flex pitch shoulder has limitations to consider when operating. Once you have achieved the highest possible range of pitch, the loop cannot be turned any farther. **Do not force it! Failure to follow these instructions can damage the flex pitch shoulder and void the warranty.**

DETAIL #19



## 4. CARE & MAINTENANCE

### 4-1 Fabric Care & Cleaning:

The fabric on your awning is made from 100% solution-dyed acrylic yarns. Solution dyeing is the process of adding color to acrylic fibers during manufacturing while they are in a liquid state. By following a few simple steps, the fabric will maintain its good looks for years. Because the fabric is woven, it is also highly breathable, which is why it dries quickly with only air exposure. It has also been treated with a fluorocarbon finish, which enhances water repellency. Also, the fabric will not support the growth of mildew, however dirt on the fabric can lead to mildew growth, which makes regular cleanings necessary. Your local environment has a great deal to do with determining cleaning frequency. A dry environment requires less cleaning than a humid one. You can delay the need for vigorous cleaning by simply hosing the fabric off on a monthly basis. This will help prevent dirt from becoming embedded in the fabric. A thorough vigorous cleaning should be done every two to three years.

#### Important Reminders:

- Always use a natural soap. Never detergent.
- Water should be cold to lukewarm.
- Air dry only. Never apply heat

#### Cleaning Steps:

1. Brush off loose dirt and debris.
2. Hose fabric down.
3. Mix 1/2 cup of natural soap and water.
4. Use a soft bristle brush to clean.
5. Allow soap to soak in.
6. Rinse thoroughly.
7. Air dry.

For stubborn stains, substitute a 1/4 cup chlorine bleach and 1/4 cup of natural soap for Step 3 above. Apply and let soak for no more than 20 minutes then rinse thoroughly.

### 4-2 Frame Cleaning & Lubrication:

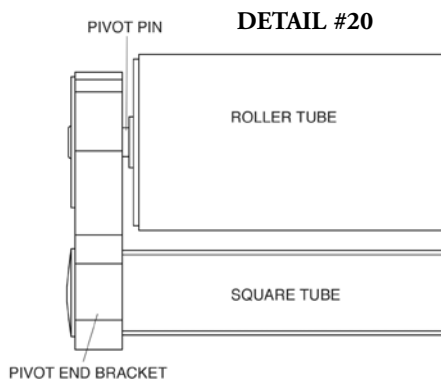
The frame is composed of powder coated steel or aluminum components with a stainless steel chain arm tension system, which is virtually maintenance free. All the hardware is made of high quality, corrosion-resistant materials. Over time, dust and dirt will collect on the frame and will require periodic cleaning to maintain its appearance. A mild spray cleaner or water/detergent mixture may be applied to the frame and then wiped clean. In most situations it should not be necessary to lubricate the moving component parts of your awning. However, installation near salt water may require the use of silicone or lithium grease spray, available at your local retailer, when squeaking occurs. **Important: Do not use any petroleum based spray lubricant.** One area of note would be the pivot end of the roller tube (the

opposite end from the gear or motor). Using the silicone spray with a straw attached to the spray nozzle, lubricate generously the area between the end of the roller tube and the end bracket (pivot pin). (See Detail #20) Take care not to over-spray on the fabric material.

### 4-3 Before Calling for Service:

**Important; If you are experiencing any problems with the installation or operation of your awning. Do not call your retailer!!! First try the solutions**

**provided in the troubleshooting section below or call our Customer Service Support Team at 1-800-858-5818. Our well trained staff can assist you.**



## Troubleshooting:

### 1. The awning has a knocking or cracking noise when operated.

**Solution** The awning brackets have not been tightened completely. Be sure the mounting bar is completely seated in the back of the mounting bracket and tighten the mounting bolt until the locking lip on the inside of the mounting bracket is drawn down over the mounting bar. (See Detail #6)

### 2. The fabric sags and is not tight.

**Solution** The fabric can stretch if exposed to rain and water is allowed to pool-up on the awning. Remember, your awning is designed for shade, not as a rain cover. Retract the awning in and on the next sunny day, extend the awning and allow it to dry thoroughly. Your awning should not be rolled up wet for long periods of time.

**Solution** The arms are not fully extended. The fabric will be most taut when the arms are at their furthest projection.

**Solution** The arms are at full projection but you have continued to unwind the fabric off the roller tube. Reverse cranking direction and retract the awning in until the fabric is taut. Important: The fabric should always rolover the top of the roller tube, not from underneath. (See Detail #18).

### 3. The awning squeaks when operated.

**Solution** A squeaking noise can resonate throughout the awning making it difficult to identify the area to be lubricated. Most commonly it will be the pivot end of the roller tube. Specifically, the area between the end bracket and the roller tube. See Section 4-2 on how to lubricate the awning.



#### 4. Unable to adjust the pitch on the awning. (8000 Series only)

**Solution** The awning is already at its maximum height or drop. Do not force the awning any further.

**Solution** Flex Pitch adjustment is being performed incorrectly. Please refer to **Section 3-4 Pitch Adjustment** for proper operation directions.

#### 5. The awning does not move in or out.

**Solution** Be sure there is power to the outlet. Check to see if there is a reset button on the exterior outlet or if a circuit breaker is off.

#### 6. The fabric bunches up or wrinkles in places when retracted.

**Solution** This can possibly occur in wider awnings that have a center support. Center Supports are mounted to the square tube and positioned around the roller tube to prevent it from bowing out and keeping the fabric taut while extended. It is common for the fabric to bunch or pucker slightly on wider awnings. This will not harm the fabric.

### 4-4 Miscellaneous:

#### Suggested uses for empty shipping tube:

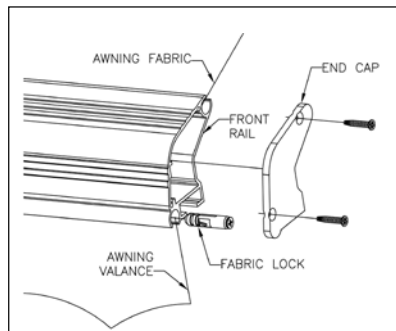
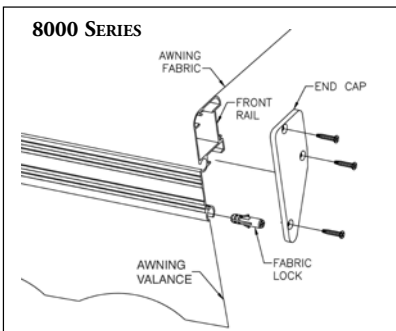
Rather than cutting up the shipping tube and leaving it for the garbage truck, here are a few suggestions you may want to try. We're sure you will think of some other uses as well.

1. Cut into sections, paint and use as garden planters.
2. Attach sections vertically in the garage to be used to store brooms, rakes, or hockey sticks.
3. Attach sections horizontally along the garage ceiling to store long lengths of lumber, moulding or plumbing supplies.
4. Cut into sections and use as a form to hold concrete.

#### Valance removal:

You may wish to remove and store the valance during long periods when the awning will not be in use, such as the winter months. As this portion of the fabric is exposed to the weather, even while the awning is retracted, it will wear and discolor sooner than the main top will. To remove the valance, simply remove the screws from each front rail end cap with a Phillips screwdriver. (See *Detail #21*) Now remove the fabric locks located in the hem on both sides of the valance and slide it out of the channel. Roll up the valance and place in a plastic bag (*be sure valance is dry*) along with the fabric locks and store for the winter. Reattach the front rail end caps. To install, simply reverse the process.

**Detail #21**



## 5. WARRANTY INFORMATION

### 5-1 Frame Warranty:

#### *Limited Frame Warranty*

All Futureguard Awnings are covered by a limited warranty from the date of original purchase. This warranty covers Futureguard awning framework and hardware but excludes any fabric or optional motors and/or electrical accessories associated with this awning. Please refer to accompanying warranties regarding fabric and motor coverage. Awnings installed for non-residential use will have a warranty period of 3 years only. Futureguard warrants to the original purchaser that the framework and hardware shall be free from defects in material in workmanship for as long as this warranty remains in effect. Under this warranty, Futureguard agrees to repair at our facility or replace free (at our discretion) any hardware or framework component part, not including labor costs related to the repair. The following Futureguard Retractable products are covered under the terms of this warranty with the specific years of coverage listed beside each label. Proof of purchase is required with all claims.

|                    |                 |
|--------------------|-----------------|
| <i>6000 Series</i> | <i>5 years</i>  |
| <i>7000 Series</i> | <i>10 years</i> |
| <i>8000 Series</i> | <i>20 years</i> |

### 5-2 Fabric Warranty:

#### *Fabric Cover Limited Warranty*

Futureguard warrants the fabric cover purchased to be free from defects. This warranty covers the fabric and seams from becoming unserviceable because of loss of color or strength from normal exposure conditions, including sunlight, mildew, and atmospheric chemicals.

Replacement of the fabric cover does not extend the fabric cover warranty. Futureguard warrants to the original purchaser that the fabric shall be free from defects in material in workmanship for as long as this warranty remains in effect. Under this warranty, Futureguard agrees to repair at our facility or replace free (at our discretion) the fabric cover, not including labor costs related to the repair. The following Futureguard Retractable products are covered under the terms of this warranty with the specific years of coverage listed beside each label. Proof of purchase is required with all claims.

|                    |                |
|--------------------|----------------|
| <i>6000 Series</i> | <i>5 years</i> |
| <i>7000 Series</i> | <i>5 years</i> |
| <i>8000 Series</i> | <i>5 years</i> |

### 5-3 Motor Warranty:

#### ***Motor Limited Warranty***

Futureguard warrants that its motors and electronics will be free from defects and perform to the standards applied in the normal operation of this awning. The following series have specific coverage terms.

|                    | <u>Motor</u>   | <u>Electronics</u> |
|--------------------|----------------|--------------------|
| <i>6000 Series</i> | <i>5 years</i> | <i>1 year</i>      |
| <i>7000 Series</i> | <i>5 years</i> | <i>1 year</i>      |
| <i>8000 Series</i> | <i>5 years</i> | <i>1 year</i>      |

Awnings installed for non-residential use will have a warranty period of 3 years only.

***Warranty Exclusions:*** Futureguard assumes no liability for damage due to faulty or improper installation, use or misuse for which this product was not intended or improperly maintained. Futureguard is not liable for damages to any structure on which the awning was installed, or to property above, below or near the awning. This warranty does not cover damages to the awning, caused by acts of God, ice, snow, rain, wind, vandalism, fire, neglect, weights or loads hung from the awning, or normal wear and tear from use. This warranty is in lieu of all warranties, expressed or implied, including warranties of merchantability and fitness for a particular purpose. Futureguard will not be liable for any incidental or consequential damages. This warranty gives specific legal rights and you may also have other rights that may vary from state to state.

***Returns or Replacement:*** All claims must be directed to your installation dealer. No returns will be accepted without prior written authorization by Futureguard. All unauthorized returns will be refused. The return shipment is to be freight prepaid by the Buyer, and under no circumstances shall the buyer deduct the value of the returned merchandise or the freight from any remittance due.

*This Warranty is void if the awning is not properly or regularly maintained and cleaned.*

**Manufactured by Futureguard, Inc.**  
Auburn, ME