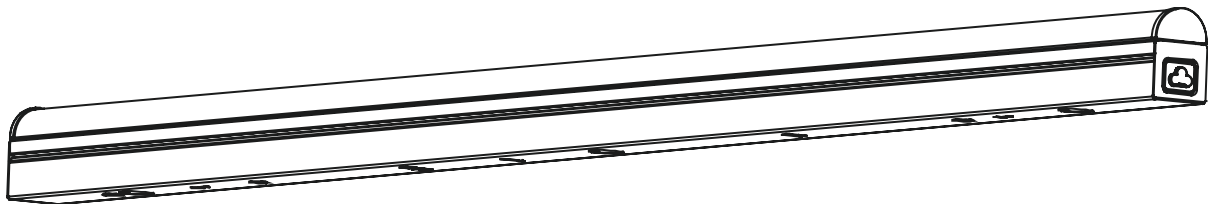




USE AND CARE GUIDE

LED 2 FT./3 FT./4 FT. Strip Light Linkable



Questions, problems, missing parts? Before returning to the store,
call Commercial Electric Customer Service
8 a.m. – 7 p.m., EST, Monday - Friday
9 a.m. - 6 p.m., EST, Friday - Saturday
1-877-527-0313

HOMEDEPOT.COM

THANK YOU

We appreciate the trust and confidence you have placed in Commercial Electric through the purchase of this interior flushmount. We strive to continually create quality products designed to enhance your home. Visit us online to see our full line of products available for your home improvement needs. Thank you for choosing Commercial Electric!

Table of Contents

Table of Content	2	Separate Accessory Purchase.....	4
Safety Information.....	2	Package Contents.....	4
Warranty.....	2	Plug-in Installation.....	5
Pre-Installation	3	Direct Wire Installation.....	8
Planning Installation.....	3	Linkable Installation.....	12
Tools Required.....	3	Care and Cleaning.....	13
Hardware Included.....	3	Troubleshooting	13

Safety Information



WARNING: Carefully read and understand the information given in this manual before beginning the assembly and installation. Failure to do so could lead to electric shock, fire, or other injuries which could be hazardous or even fatal.



WARNING: Ensure the electricity to the wires you are working on is shut off. Either remove the fuse or turn off the circuit breaker.



WARNING: Changes or modifications not expressly approved by the party responsible for compliance could void the user's authority to operate the equipment.



WARNING: The maximum wattage is 300W to connect 2 ft., 3 ft., or 4 ft. lights light together. In this case, the compliance could void the user's authority to operate the equipment.

WARNING: For safety, linked installations can either be installed as plug in or direct wire, but never combined. Installation can only be conducted by the professional electrician, otherwise, there is a potential fire hazard.

WARNING: This equipment has been tested and found to comply with the limits for a Class B digital device, pursuant to Part 15 of the FCC Rules.

These limits are designed to provide reasonable protection against harmful interference in a residential installation. This equipment generates, uses and can radiate radio frequency energy and, if not installed and used in accordance with the instructions, may cause harmful interference to radio communications.

However, there is no guarantee that interference will not occur in a particular installation.

If this equipment does cause harmful interference to radio or television reception, which can be determined by turning the equipment off and on, the user is encouraged to try to correct the interference by one or more of the following measures:

- Reorient or relocate the receiving antenna.
- Increase the separation between the equipment and the receiver.
- Connect the equipment into an outlet on a circuit different from that to which the receiver is connected.
- Consult the dealer or an experienced radio/TV technician for help.

NOTICE: Do not use this flushmount with a dimmer switch.

NOTICE: Minimum 75° supply conductors.

Warranty

WHAT IS COVERED

The manufacturer warrants this lighting fixture to be free from defects in materials and workmanship for a period of five (5) years from date of purchase. This warranty applies only to the original consumer purchaser and only to products used in normal use and service. If this product is found to be defective, the manufacturer's only obligation, and your exclusive remedy, is the repair or replacement of the product at the manufacturer's discretion, provided that the product has not been damaged through misuse, abuse, accident, modifications, alterations, neglect, or mishandling.

WHAT IS NOT COVERED

This warranty shall not apply to any product that is found to have been improperly installed, set-up, or used in any way not in accordance with the instructions supplied with the product. This warranty shall not apply to a failure of the product as a result of an accident, misuse, abuse, negligence, alteration, faulty installation, or any other failure not relating to faulty material or workmanship. This warranty shall not apply to the finish on any portion of the product, such as surface and/or weathering, as this is considered normal wear and tear.

Warranty (continued)

The manufacturer does not warrant and specifically disclaims any warranty, whether express or implied, of fitness for a particular purpose, other than the warranty contained herein. The manufacturer specifically disclaims any liability and shall not be liable for any consequential or incidental loss or damage, including but not limited to any labor / expense costs involved in the replacement or repair of said product.

Contact the Customer Service Team at 1-877-527-0313 or visit www.HomeDepot.com

Pre-Installation

PLANNING INSTALLATION

Read all instructions before assembly. Before starting installation of this fixture or removal of a previous fixture, disconnect the power by turning off the circuit breaker or by removing the fuse at the fuse box. To avoid damaging this product, assemble it on a soft, non-abrasive surface, such as carpet or cardboard.

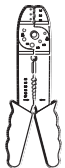
This fixture can be installed either individually or continuously in three different ways:

- Installing a single fixture as plug-in
- Installing a single fixture as direct wire
- Installing multiple fixtures continuously



NOTE: Keep your receipt and these instructions for proof of purchase.

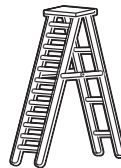
TOOLS REQUIRED



Wire Strippers



Safety Goggles



Ladder



Gloves



Flathead Screwdriver



Phillips Screwdriver



Electrical Tape



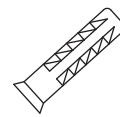
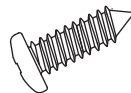
Wire Cutters

HARDWARE INCLUDED



NOTE: Hardware not shown to actual size.

Part	Description	Quantity
AA	Mounting Screw (0.6 in.)	2
BB	Plastic Drywall Anchor	2



AA

BB

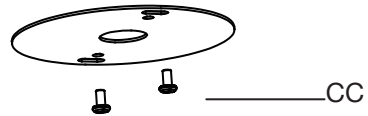
Pre-Installation (continued)

Separate Accessory Purchase

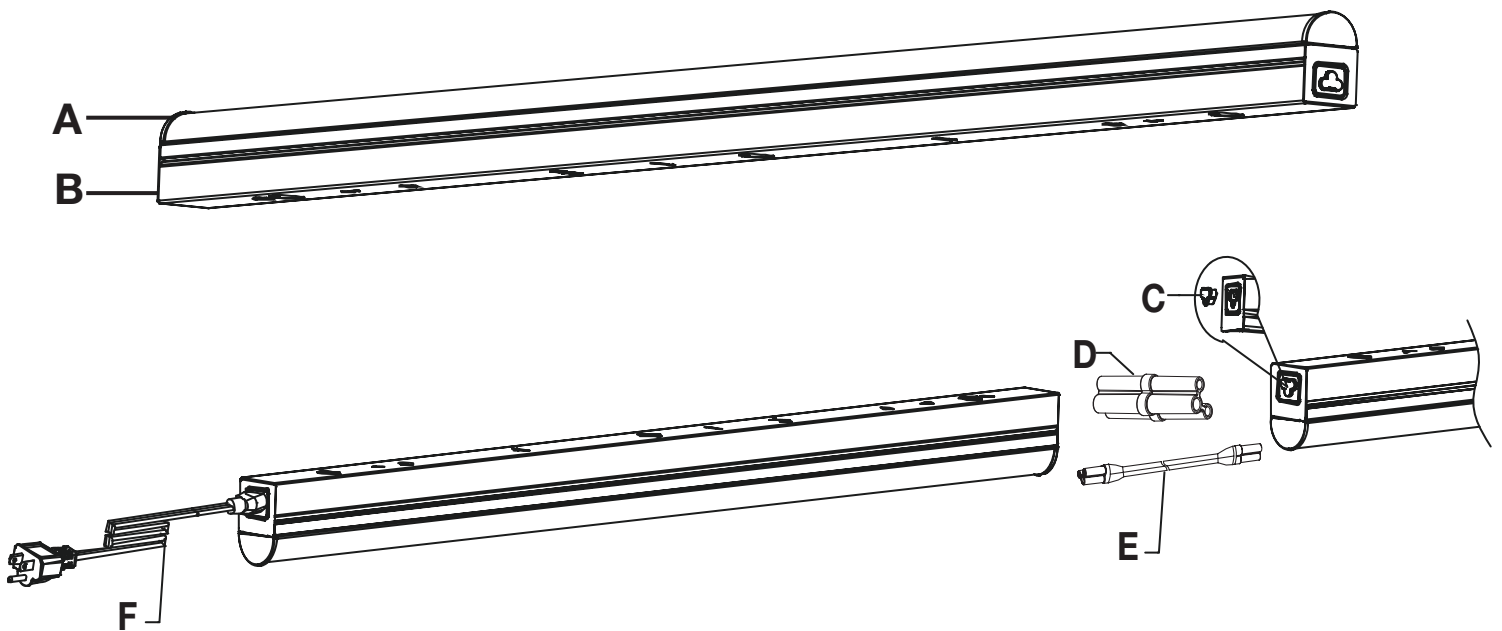


NOTE: Separate accessory not shown to actual size.
Visit www.HomeDepot.com for more information.

Part	Description	Quantity
CC	Mounting Bracket (4 in.)	1



PACKAGE CONTENTS

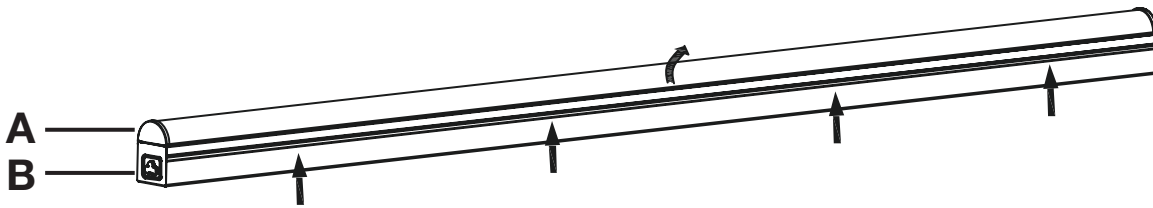


Part	Description	Quantity
A	Fixture Lens Cover	1
B	Fixture Plate	1
C	End Cover Plug	1
D	End to End Connector	1
E	Linking Cord (14 in.)	1
F	Plug-in Power Cord (5 ft.)	1

Plug-in Installation

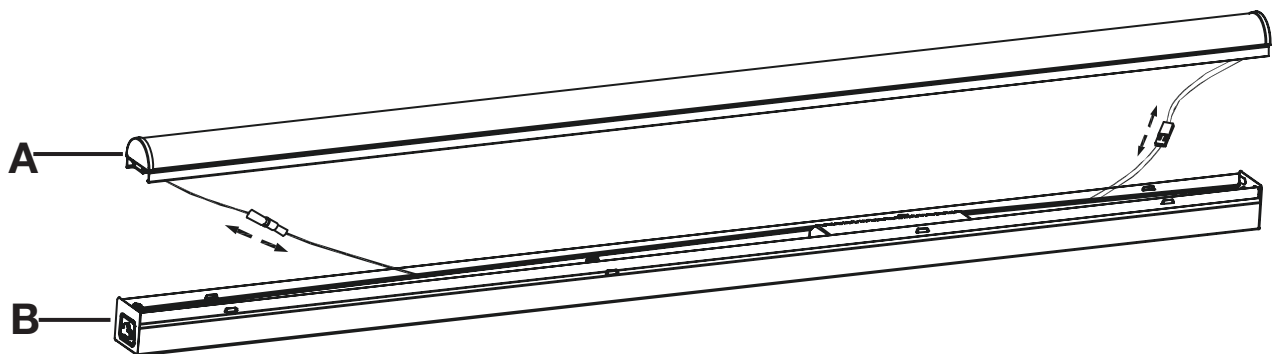
1 Preparing the the fixture for installation

- Press the bottom frame of the fixture plate (B) inward in the direction of the arrows, and lift the fixture lens cover (A) with the other hand as indicated.



2 Preparing the fixture for installation

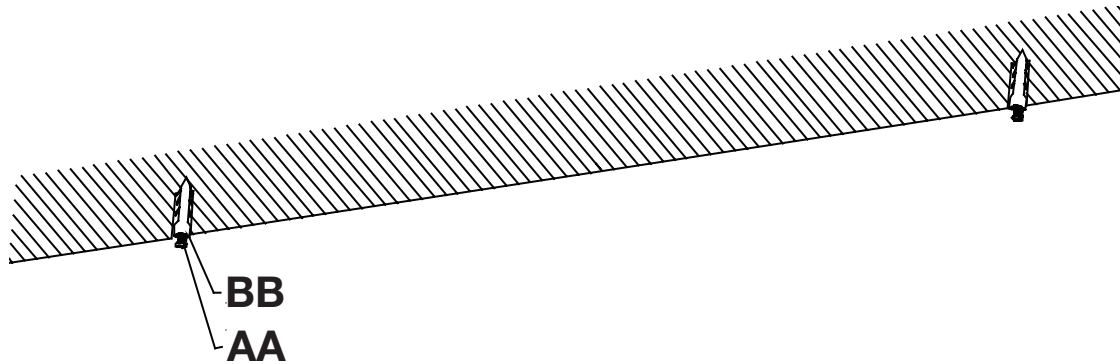
- After dividing the light fixture into the fixture plate (B) and fixture lens cover (A), unplug the connectors to separate the terminal wires and ground wire inside the light fixture.



Plug-in Installation (continued)

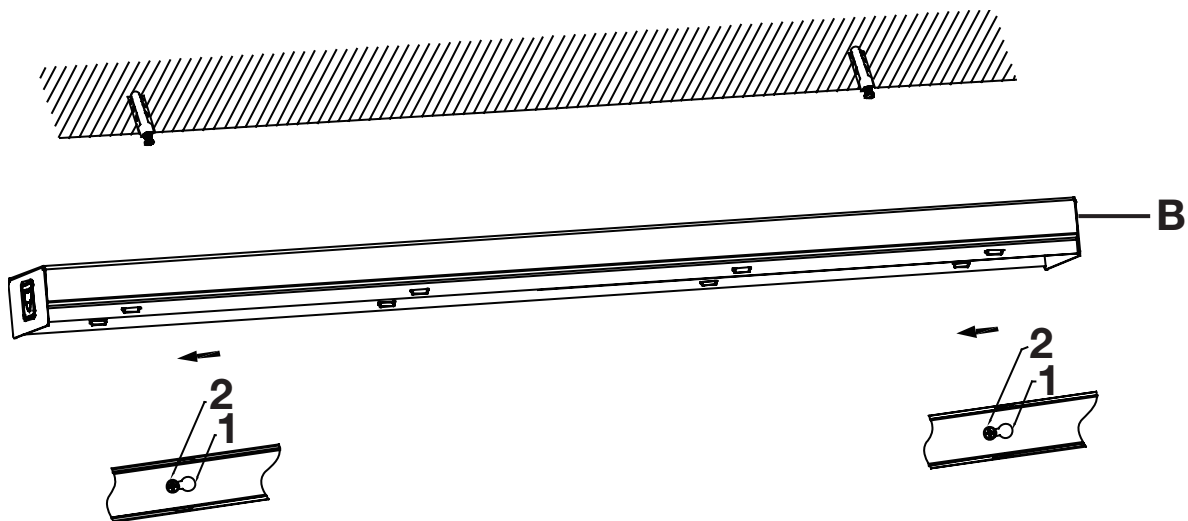
3 Installing the mounting screws

- Mark the two keyhole mounting positions of the fixture plate on the ceiling. Drill a hole in the ceiling for each of the two mounting holes.
- Install a plastic drywall anchor (BB) and a mounting screw (AA) in each drilled mounting hole.



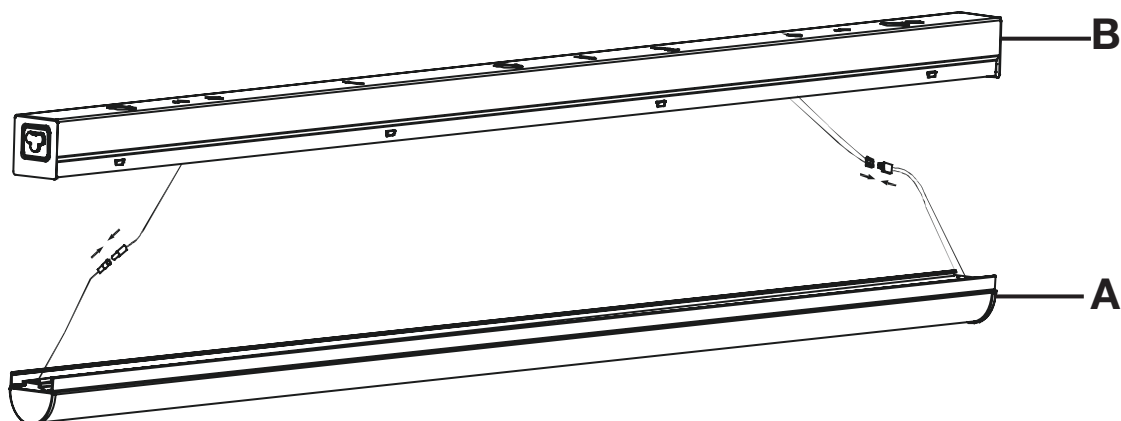
4 Installing the fixture plate to the ceiling

- This fixture plate can be easily mounted without the lens cover. Align the two mounting holes on the fixture plate (B) with the two mounting screws in the ceiling. Once both screw heads are through the large ends of the keyholes (position 1), slide the fixture plate (B) to the left until the heads of the screws slide into the narrow ends of the keyholes (position 2). Use a screwdriver to tighten the mounting screws.



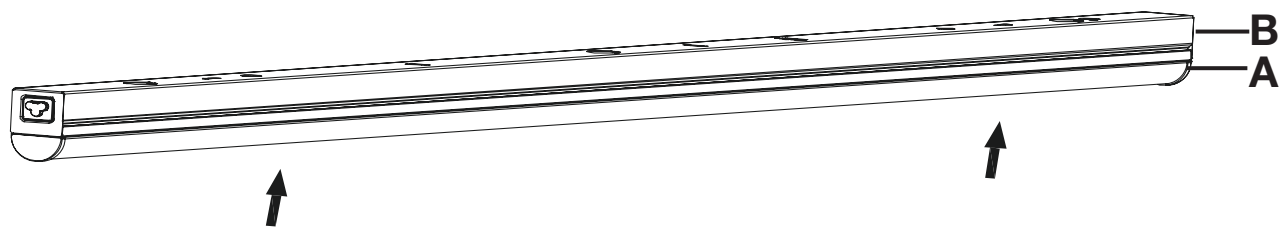
5 Connecting the connectors

- Connect the top and bottom parts of the connectors for the terminal wires in the light fixture, including the ground wire of the fixture.



6 Attaching the fixture plate to the lens cover

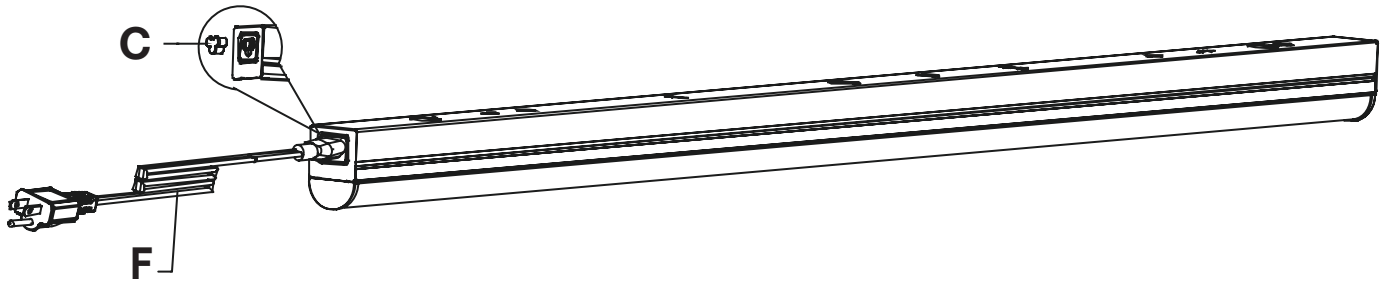
- Snap the fixture lens cover (A) onto the fixture plate (B).



Plug-in Installation (continued)

7 Turning on the light

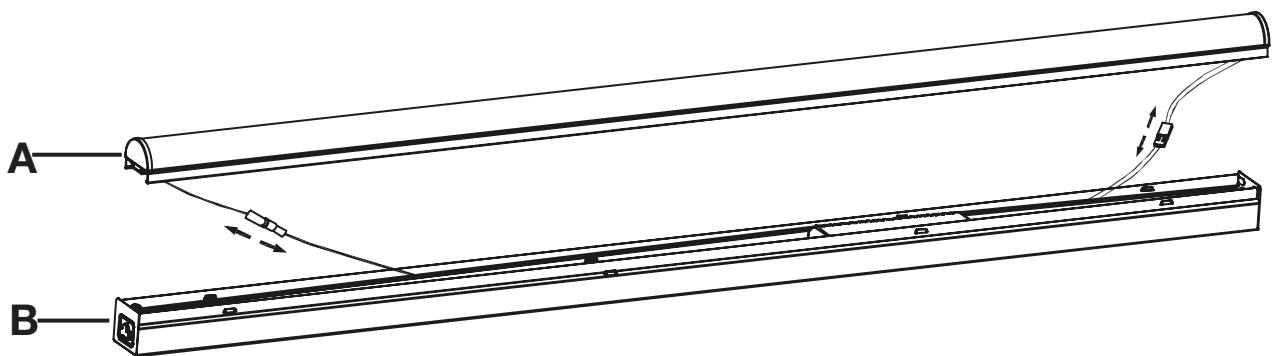
- Remove the end cover plug (C). Insert the smaller end of the power cord (F) into the fixture where the end cover plug (C) was just removed. Then plug end of the power cord into an outlet. Turn the switch on the activate the light fixture.



Direct Wire Installation

1 Preparing the fixture for installation

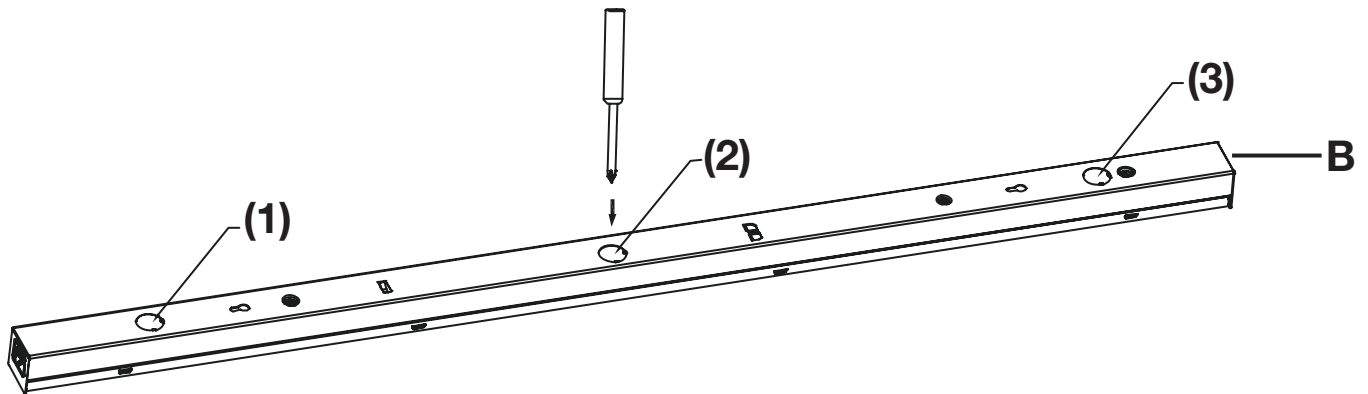
- Dividing the light fixture into the fixture plate (B) and fixture lens cover (A), unplug the wire connectors to separate the terminal wires and ground wire inside the light fixture.



Direct wire installation (continued)

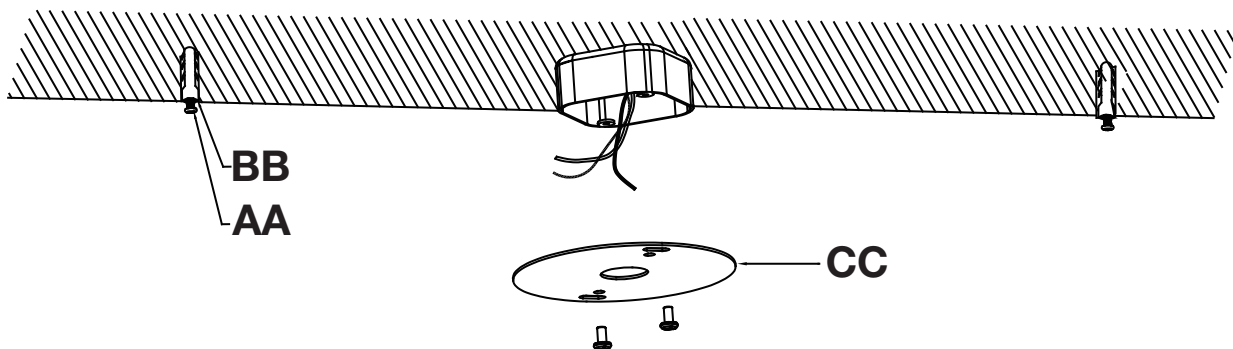
2 Removing one of the knockouts in the fixture

- Turn over the fixture plate (B). Using a screwdriver, punch out one of the three large holes (1, 2, or 3) for wiring based on the installation position.



3 Installing the mounting screws

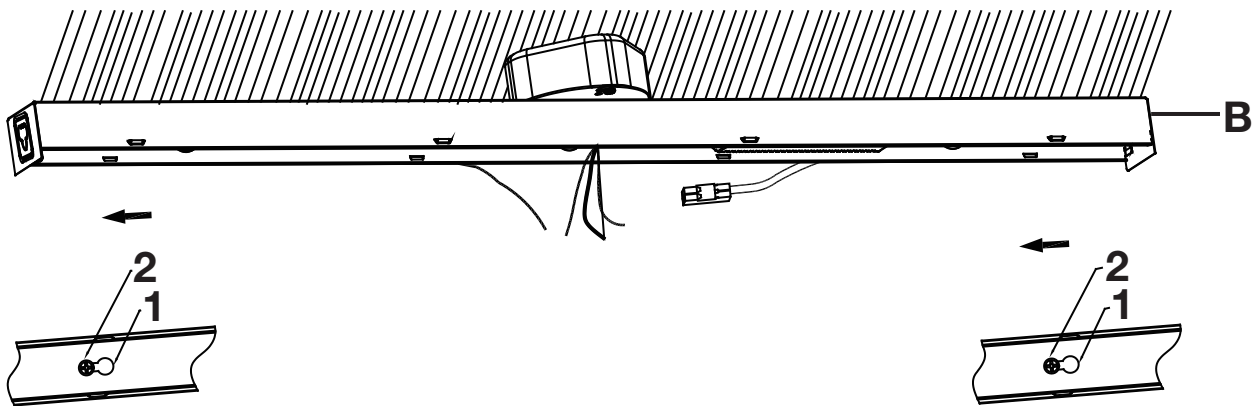
- Mark the two keyhole mounting positions of the fixture plate on the ceiling. Drill a hole in the ceiling for each of the two mounting holes.
- Install a plastic drywall anchor (BB) and a mounting screw (AA) in each drilled mounting hole. Then use two screws (not included) to fix the 4 in. mounting bracket (CC - not included) on the outlet box.



Direct Wire Installation (continued)

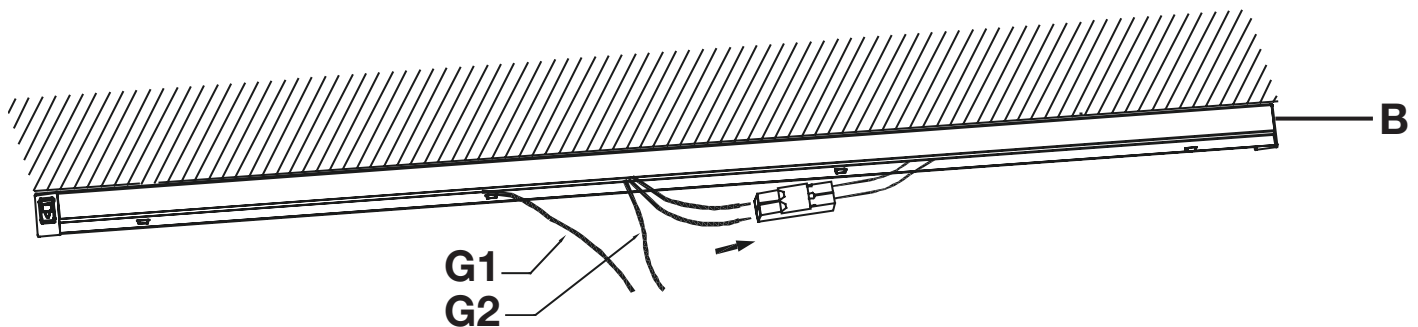
4 Installing the fixture plate to the ceiling

- Pull the wires of the outlet box through the fixture. This fixture plate can be easily mounted without the lens cover. Align the two mounting holes on the fixture plate (B) with the two mounting screws in the ceiling. Once both screw heads are through the large ends of the keyholes (position 1), slide the fixture plate (B) to the left until the heads of the screws slide into the narrow ends of the keyholes (position 2). Use a screwdriver to tighten the mounting screws.



5 Making the electrical connections

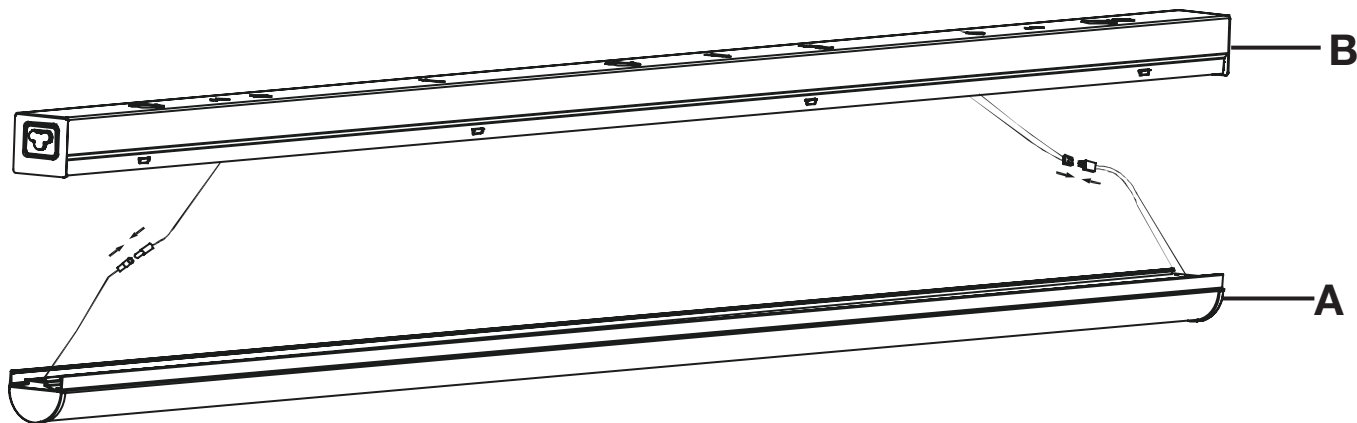
- Connect the white wire from the fixture plate (B) to the white wire from the ceiling.
- Connect the black wire from the fixture plate (B) to the black wire from the ceiling.
- Connect the green wire (G1) from the fixture plate (B) to the ground wire (G2) from the ceiling.



Direct Wire Installation (continued)

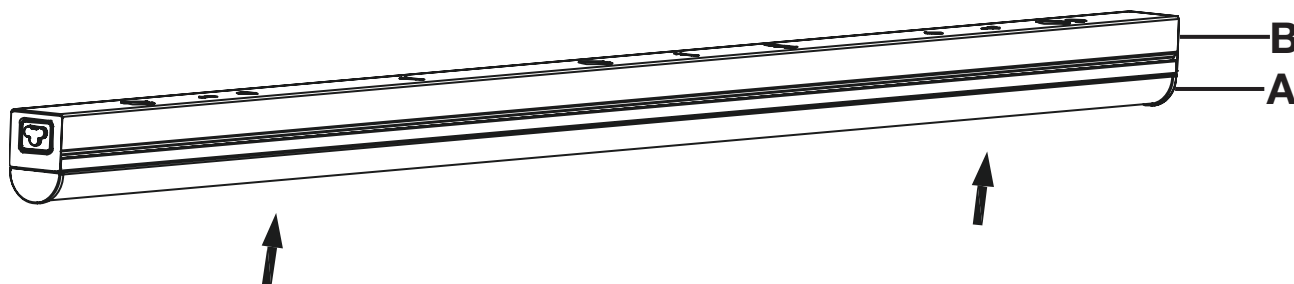
6 Connecting the connectors

- Connect the top and bottom parts of the connectors for the terminal wires in the light fixture, including the ground wire of the fixture.



7 Attaching the fixture plate to the lens cover

- Snap the fixture lens cover (A) onto the fixture plate (B). Restore the power to the electric box. Turn on the light switch to activate the fixture.



Linkable Installation

1 Linking multiple lights

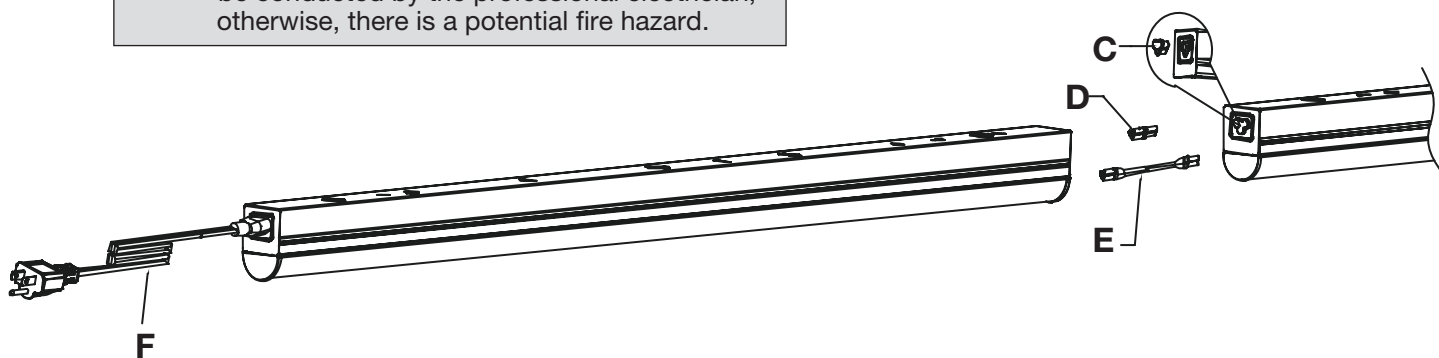
- This strip light is linkable. Make sure the first strip light connects with the power supply. Connect the other lights with light connectors. Remove the end cover plug (C) and insert the end-to-end connector (D) or linking cord (E) to the end covers of two lights. When you use the end-to-end connector (D), the linking lights need to align, and the connector can be hidden. Use the linking cord (E) if you need to connect the light in the corner.
- Maximum connection quantity.
This table shows maximum connection quantity for 2 ft./3 ft./4 ft. linkable strip lights because of limited loading flow of the power supply. A potential safety problem will arise if more than the limited pieces are connected. Power fixtures only after all linking connections have been made.

Model No.	Length	Watt	Max interconnected units
54263141	2ft.	10W	30
54262141	3ft.	15W	20
54261141	4ft.	20W	15



WARNING: The maximum wattage is 300W to connect 2 ft., 3 ft., or 4 ft. lights light together. In this case, the compliance could void the user's authority to operate the equipment.

WARNING: For safety, linked installations can either be installed as plug in or direct wire, but never combined. Installation can only be conducted by the professional electrician, otherwise, there is a potential fire hazard.



Care and Cleaning



CAUTION: Before attempting to clean the fixture, disconnect the power to the fixture by turning the breaker off or removing the fuse from the fuse box.

Clean the fixture with a soft, dry cloth.

Do not use any cleaners with chemicals, solvents, or harsh abrasives.

Troubleshooting

Problem	Possible Cause	Solution
The fixture will not light.	The power is off.	Ensure the power supply is on.
	The circuit breaker is off.	Ensure the circuit breaker is in the on position.
The fuse blows or the circuit breaker trips when the light is turned on.	The wires are crossed or the power wire is grounding out.	Check the wire connections. Contact a qualified electrician or call the Customer Service Team at 1-877-527-0313.



Questions, problems, missing parts? Before returning to the store,
call Commercial Electric Customer Service

8 a.m. – 7 p.m., EST, Monday - Friday

9 a.m. - 6 p.m., EST, Friday - Saturday

1-877-527-0313

HOMEDEPOT.COM

Retain this manual for future use.



GUÍA DE USO Y CUIDADO

LUZ DE HILERA ACOPLABLE DE 60.9cm / 91.4cm / 1.21m



Preguntas, problemas, piezas faltantes? Antes de devolver el producto a la tienda, llame al Centro de Atención al Cliente de Commercial Electric en el horario de
8 a.m. – 7 p.m., Hora del Este de EE.UU., de lunes a viernes
9 a.m. - 6 p.m., Hora del Este de EE.UU., de viernes a sábado.

1-877-527-0313

HOMEDEPOT.COM

GRACIAS

Apreciamos la confianza que ha puesto en Commercial Electric a través de la compra de esta lámpara tipo plafón para interiores. Nos esforzamos por crear constantemente productos diseñados para dar realce a su hogar. Visítenos en línea para ver nuestra gama completa de productos disponibles para sus necesidades al momento de hacer mejoras en su hogar. ¡Muchas gracias por elegir a Commercial Electric!

Contenido

Contenido.....	16	Compra de accesorios separados.....	18
Información sobre seguridad.....	16	Contenido del paquete.....	18
Garantía.....	17	Instalación de enchufe.....	19
Antes de la instalación.....	17	Instalación de cable directo.....	22
Planificación de la instalación.....	17	Acoplable Instalación.....	26
Herramientas necesarias.....	17	Cuidado y limpieza.....	27
Materiales incluido.....	18	Solución de problemas.....	27

Información sobre seguridad



ADVERTENCIA: Lea cuidadosamente y comprenda la información incluida en este manual antes de comenzar el armado e instalación. No hacerlo, puede provocar descarga eléctrica, incendio, u otras lesiones que pueden ser peligrosas o incluso fatales.



ADVERTENCIA: Asegúrese de cortar el suministro eléctrico en los cables con los que trabajará. Extraiga los fusibles o apague el cortacircuitos.



AVISO: Los cambios o modificaciones que no estén expresamente aprobados por la parte responsable del cumplimiento anulan la autoridad del usuario de operar el equipo.



AVISO: La potencia máxima es de 300 W para conectar la 2pies, 3 pies o 4pies banda de luz juntos. En este caso, el tamaño y la cantidad son opcionales para usted a haer la conexión.
AVISO: Para la seguridad, las instalaciones conectadas también se pueden instaladas como enchufe o cable directo, pero nunca combinado. La instalación sólo puede ser conducida por un electricista profesional, si no, se corre el riesgo de incendio.

AVISO: Este equipo ha sido sometido a prueba y se halló que cumple con los límites establecidos para la clase B de dispositivos digitales, conforme a la Parte 15 de las Normas de FCC.

Estos límites se establecen para brindar protección razonable contra interferencia dañina en una instalación residencial. Este equipo genera, utiliza y puede irradiar energía de frecuencias de radio y, si no se instala conforme a las instrucciones, puede provocar interferencia dañina a las comunicaciones de radio.

A pesar de esto, no existe garantía de que la interferencia no se produzca en una instalación en particular.

Si este equipo produce interferencia dañina a la recepción de radio o televisión, lo que puede determinarse encendiendo y apagando el equipo, se insta al usuario a intentar corregir la interferencia mediante uno de los siguientes métodos:

- Cambie la orientación o ubicación de la antena receptora.
- Aumente la separación entre el equipo y el receptor.
- Conecte el equipo en un enchufe que esté en un circuito diferente al cual está conectado el receptor.
- Consulte con el representante o con un técnico experimentado en radio y televisión para solicitar asistencia.

AVISO: No use esta lámpara tipo plafón con un interruptor atenuador.

AVISO: Conductores suministrados min 75°C.

Garantía

CUBRE

El fabricante garantiza que este aparato de iluminación no tendrá defectos en los materiales o en la mano de obra por un periodo de cinco (5) años desde la fecha de compra. Esta garantía se aplica sólo al comprador consumidor original y sólo a los productos que se utilizan y reciben servicio en forma normal. Si se encuentra que este producto tiene defectos, la única obligación del fabricante, y su exclusiva solución, es reparar o reemplazar el producto a su entera discreción, siempre y cuando del mismo.

NO CUBRE

Esta garantía no se aplica a ningún producto que se ha instalado incorrectamente, ajustado o utilizado en una forma que no concuerde con las instrucciones suministradas junto con el producto. Esta garantía no se aplicará a fallas del producto como resultado de un accidente, uso incorrecto, abuso, negligencia, alteración, instalación defectuosa, o ninguna otra falla no relacionada con el material o mano de obra defectuosa. Esta garantía no se aplica a la terminación en una parte del producto, por daños o pérdidas indirectas o consecuenciales, e incluye pero no se limita a los costos de mano de obra, gastos relacionados en el reemplazo o reparación de dicho producto.

Comuníquese con el equipo de Servicio al Cliente al 1-877-527-0313 o visite www.HomeDepot.com.

Antes de la instalación

PLANIFICACIÓN DE LA INSTALACIÓN

Leer todas las instrucciones antes de proceder al armado. Antes de comenzar la instalación de este aparato o desinstalar un aparato, desconectar el suministro eléctrico apagando el cortacircuitos o extrayendo el fusible de la caja de fusibles. Para evitar daños al producto, armar en una superficie blanda y que no sea áspera, como por ejemplo, una alfombra o cartón.

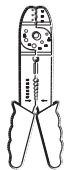
Este aparato puede instalarse de manera individual o continuamente de tres formas:

- Instalar la pinza individual como enchufe.
- Instalar la pinza individual como cable directo.
- Instalar las luces de forma continua.



NOTA: Guardar el recibo de compra y estas instrucciones como prueba de compra.

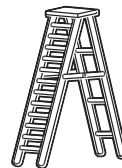
HERRAMIENTAS NECESARIAS



Alicates pelacables



Gafas de seguridad



Escalera



Guantes



Destornillador de cabeza plana



Destornillador Phillips



Cinta eléctrica



Alicates cortacables

Antes de la instalación (continuación)

MATERIALES INCLUIDOS



NOTA: Los materiales no se ilustran en tamaño real.

Pieza	Descripción	Cantidad
AA	Tornillo de montaje (15mm)	2
BB	Plástica Ancla de yeso	2

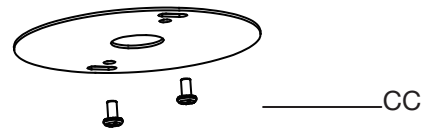


Compra de accesorios separados

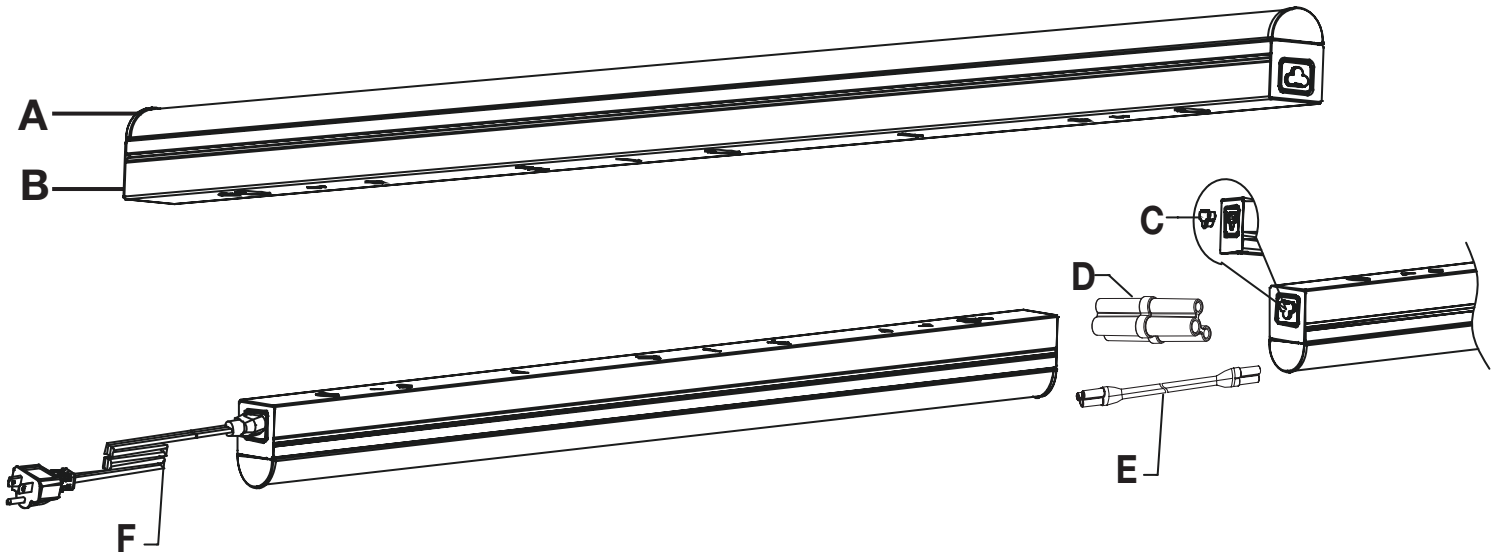


NOTA: Los accesorios separados no se muestran a tamaño real. Visite www.HomeDepot.com para obtener detalles.

Pieza	Descripción	Cantidad
CC	Soporte de montaje (10cm)	1



CONTENIDO DEL PAQUETE

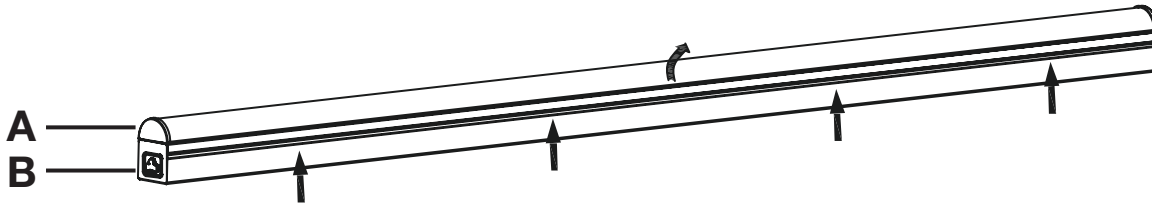


Pieza	Descripción	Cantidad
A	Lente	1
B	Cuerpo del aparato	1
C	La cubierta final	1
D	Conector de extremo a extremo	1
E	Cordón de conexión (35cm)	1
F	Cordón de potencia de enchufe (1.5m)	1

Instalación de enchufe

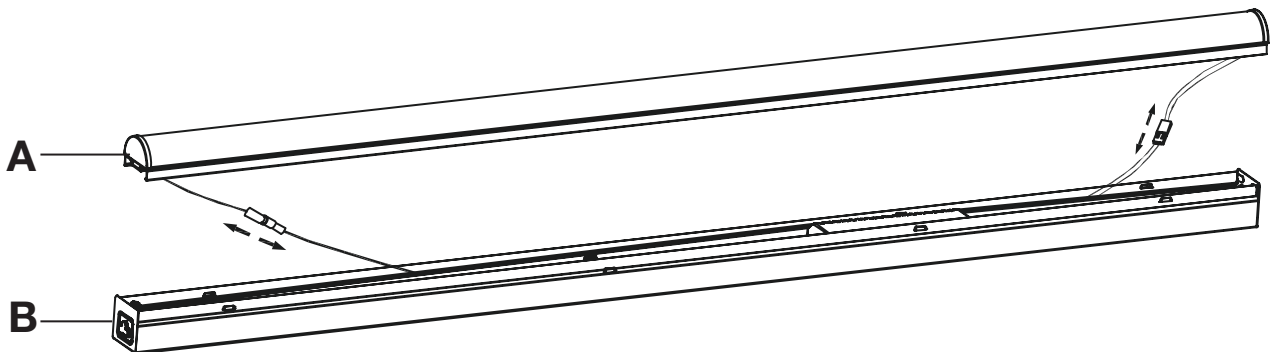
1 Preparación del ensamble para la instalación

- Presione la estructura inferior de la placa del ensamble (B) hacia dentro, según la dirección que indican las flechas, y levante la cubierta del ensamble (A) con la otra mano, como se indica.



2 Preparación del ensamble para la instalación

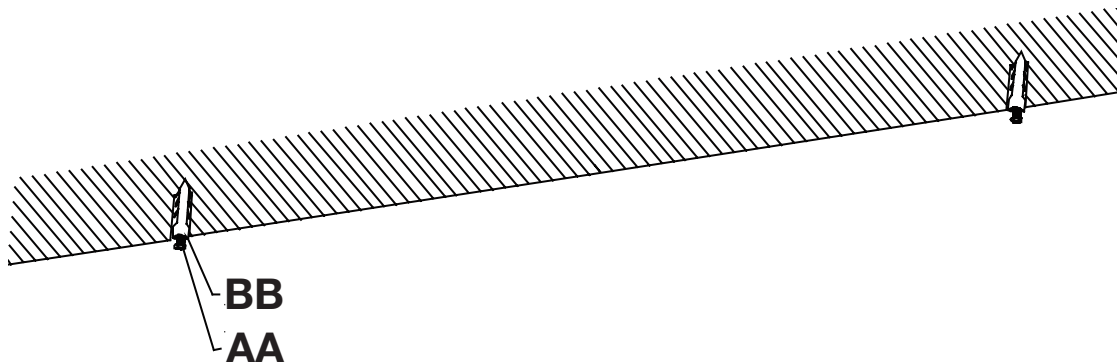
- Después de dividir el ensamble de iluminación y obtener la placa de ensamble (B) y la cubierta del ensamble (A), desconecte los conectores para separar los cables de terminal y los cables de puesta a tierra que están dentro del ensamble de iluminación.



Instalación de enchufe (continuación)

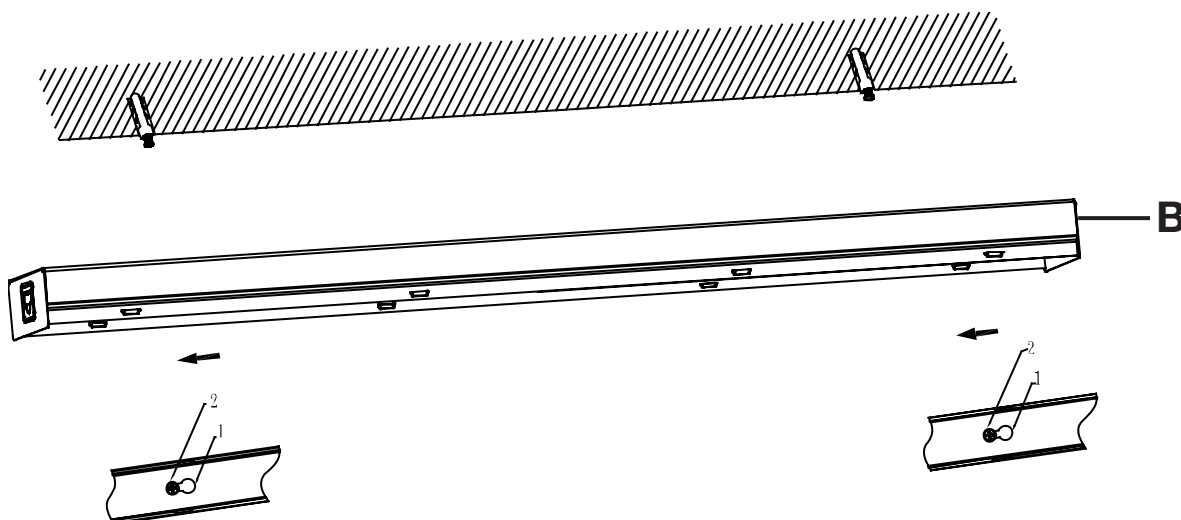
3 Instale los tornillos

- Marque las dos posiciones de montaje de las ranuras en la placa del ensamble en el techo. Con un taladro, perforo un orificio en el techo para cada uno de los dos orificios de montaje.
- Instale un ancla de expansión plástica para panel de yeso (BB) y un tornillo de montaje (AA) en cada orificio de montaje perforado.



4 Instalar el dispositivo en el techo

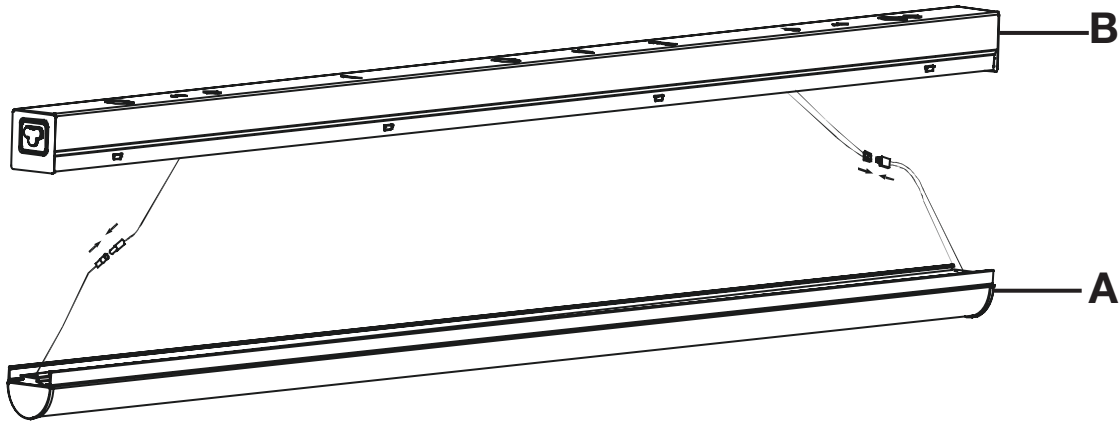
- Esta placa de pinza se puede montar fácilmente sin tapa de lentes. Alinee los 2 chaveteros de montaje que están en la placa del ensamble (B) con los 2 tornillos de montaje del techo. Una vez que ambas cabezas de tornillos salgan por los extremos grandes de los orificios (posición 1), deslice la placa del ensamble hacia la izquierda hasta que las cabezas de los tornillos pasen por los extremos angostos de los chaveteros (posición 2). Use un destornillador para ajustar los tornillos de montaje.



Instalación de enchufe (continuación)

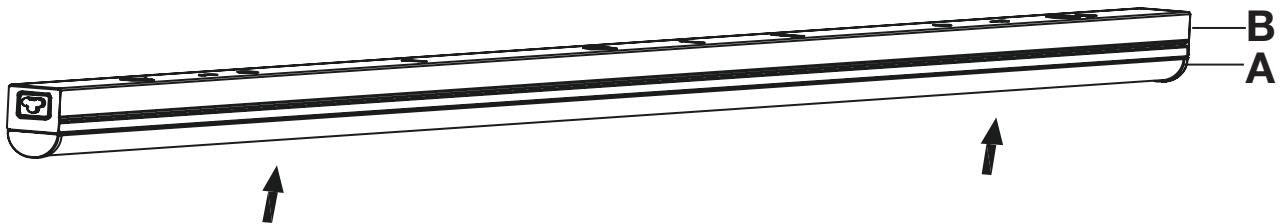
5 Alinear los conectores en el cuerpo de la luminaria y lentes

- Conecte las partes superior e inferior de los conectores para los cables de terminal que están en el ensamble de iluminación, incluso el cable de puesta a tierra del ensamble.



6 Colocar de la placa de fijación de la tapa del lente

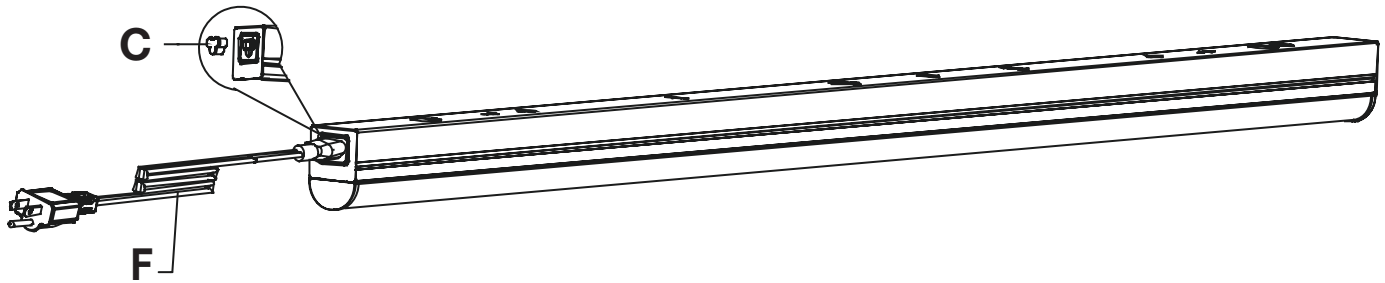
- Encaje la cubierta del ensamble (A) en la placa del ensamble (B).



Instalación de enchufe (continuación)

7 Listo para encender la luz

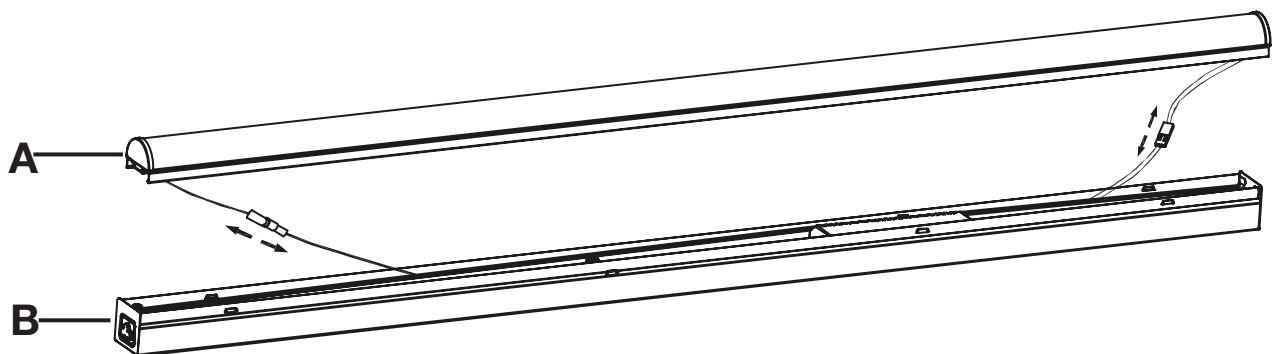
- Usar un punzón para sacar el tapón de la cubierta final (C). Pues insertar el cable de alimentación (F) y el enchufe. Encienda el interruptor de la luz para activar el ensamblado.



Instalación de cable directo

1 Preparación del ensamblado para la instalación

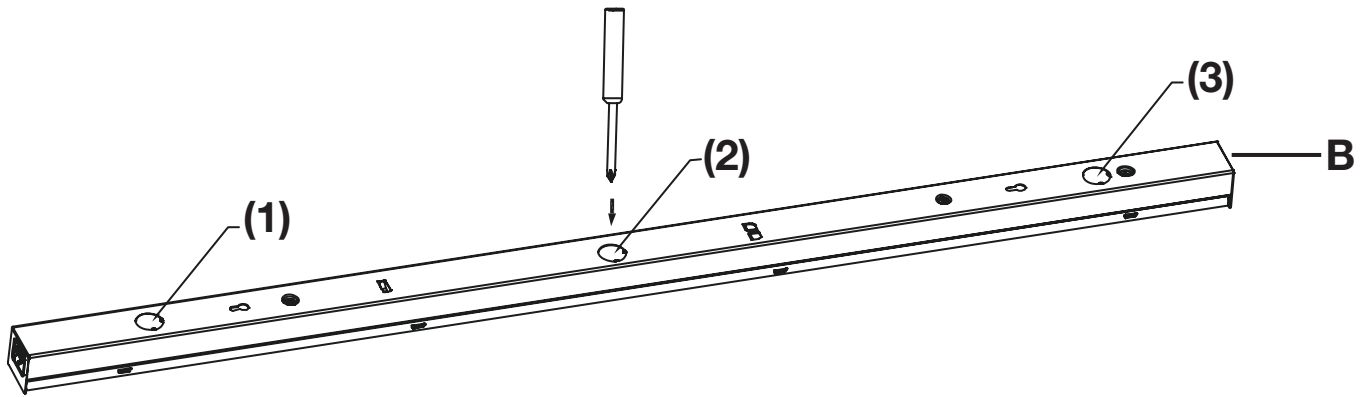
- Dividir el ensamblado de iluminación y obtener la placa de ensamblado (B) y la cubierta del ensamblado (A), desconecte los conectores para separar los cables de terminal y los cables de puesta a tierra que están dentro del ensamblado de iluminación.



Instalación de cable directo (continuación)

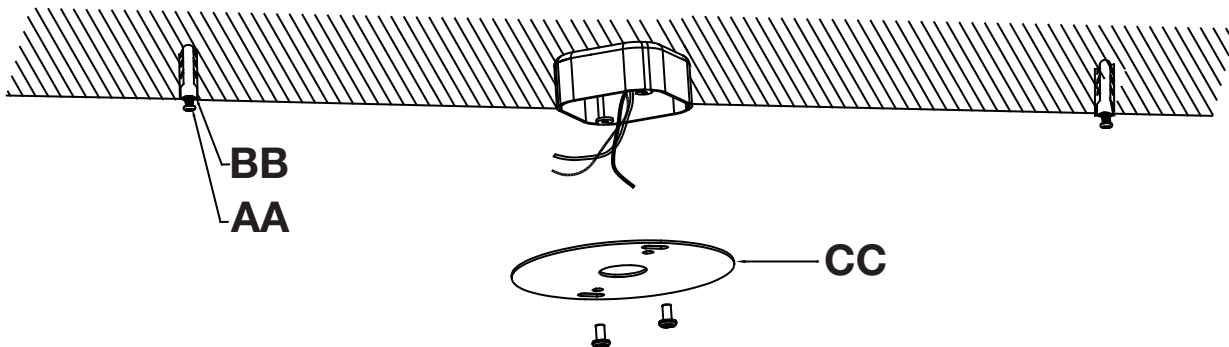
2 Derminar un choque apropiado para dar fuerza a la pinza

- Dé vuelta la placa del ensamble (A). Use un destornillador y perforo uno de los 3 orificios grandes (1, 2 y 3) para el cableado, según la posición de instalación.



3 Instale los tornillos

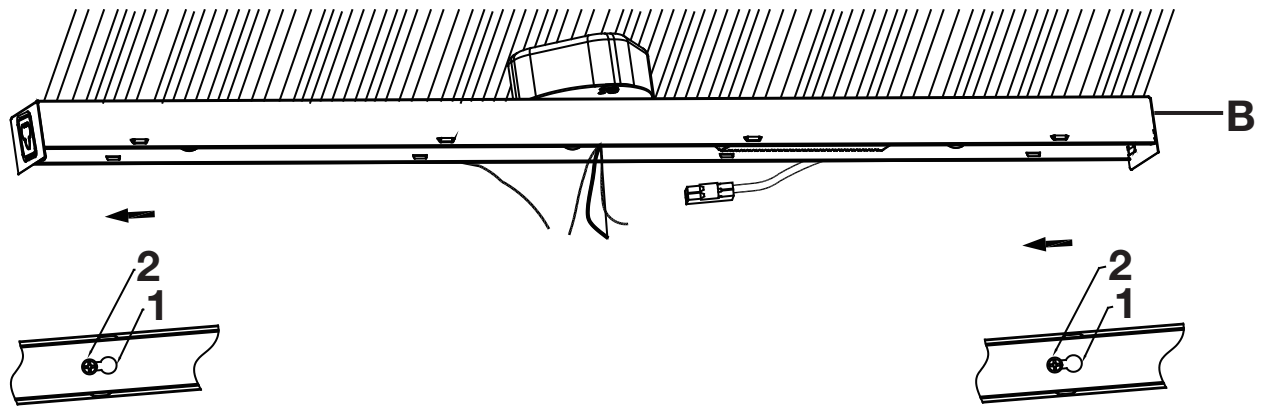
- Marque las dos posiciones de montaje de las ranuras en la placa del ensamble en el techo. Con un taladro, perforo un orificio en el techo para cada uno de los dos orificios de montaje.
- Instale un ancla de expansión plástica para panel de yeso (BB) y un tornillo de montaje (AA) en cada orificio de montaje perforado. Luego usar dos tronillos a fijar el 4 en 1 soporte montado (CC) en la caja de salida.



Instalación de cable directo (continuación)

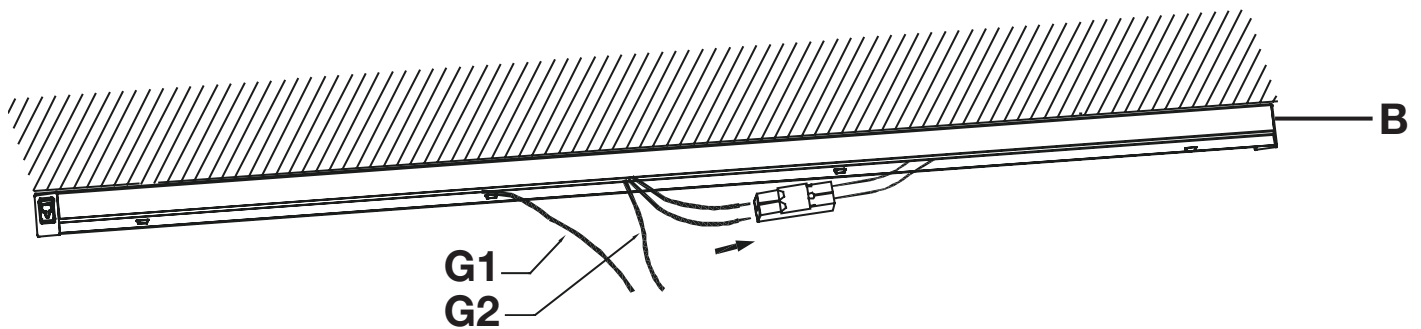
4 Instalar el dispositivo en el techo

- Poner los cables de la caja de salida atravesando la pinza. Esta placa de pinza se puede montar fácilmente sin tapa de lentes.
- Alinee los 2 chaveteros de montaje que están en la placa del ensamble (B) con los 2 tornillos de montaje del techo. Una vez que ambas cabezas de tornillos salgan por los extremos grandes de los orificios (posición 1), deslice la placa del ensamble (B) hacia la izquierda hasta que las cabezas de los tornillos pasen por los extremos angostos de los chaveteros (posición 2). Use un destornillador para ajustar los tornillos de montaje.



5 Hacer las conexiones eléctricas

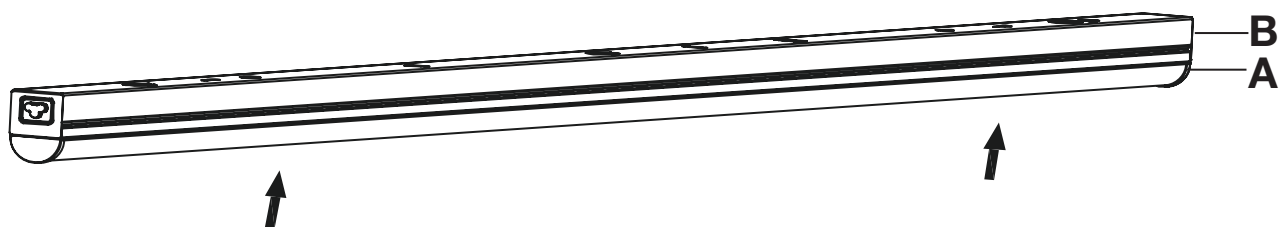
- Conecte el cable blanco de la placa del ensamble (B) al cable blanco del techo.
- Conecte el cable negro de la placa del ensamble (B) al cable negro del techo.
- Conecte el cable verde (G1) de la placa del ensamble (B) al cable verde (G2) del techo.



Instalación de cable directo (continuación)

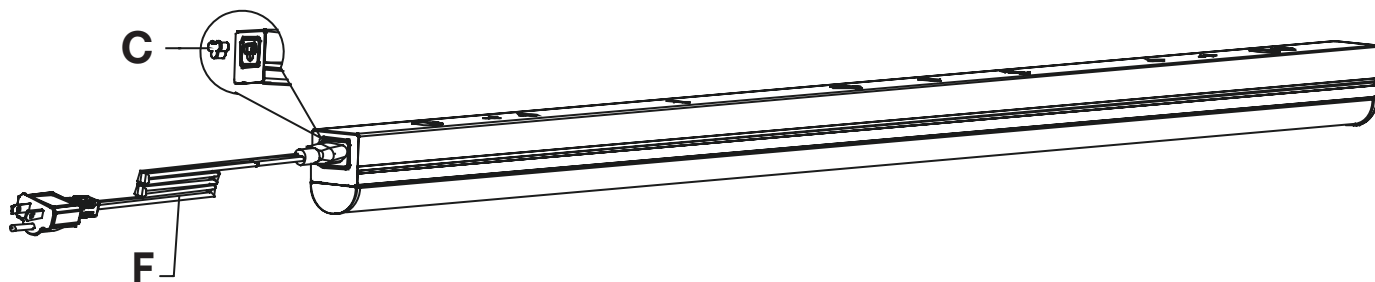
6 Colocar de la placa de fijación de la tapa del lente

- Encaje la cubierta del ensamble (A) en la placa del ensamble (B).



7 Listo para encender la luz

- Usar un punzón para sacar el tapón de la cubierta final (C). Pasa el cable de alimentación (F) y el enchufe. Encienda el interruptor de la luz para activar el ensamble.



Acoplable Instalación

1 Acoplable Instalación

- Esta luz de tira puede ser enlazable. Asegúrese de que la primera tira de luz conectar con la fuente de alimentación de corriente, conecte otro luces con conectores de luz. Como se muestra en la imagen de abajo, utilizar un punzón para sacar la cubierta del extremo (C), Insertar el conector de extremo a extremo (D) o el cordón de conexión (E) en las tapas extremas de las dos luces. Alusar el conector de extremo a extremo (D), las luces de conexión debe ser alineadas, el conector se puede esconder. Usar el cordón de conexión (E) si necesita conectar la luz en el rincón.
- Maximos interconectados unidades

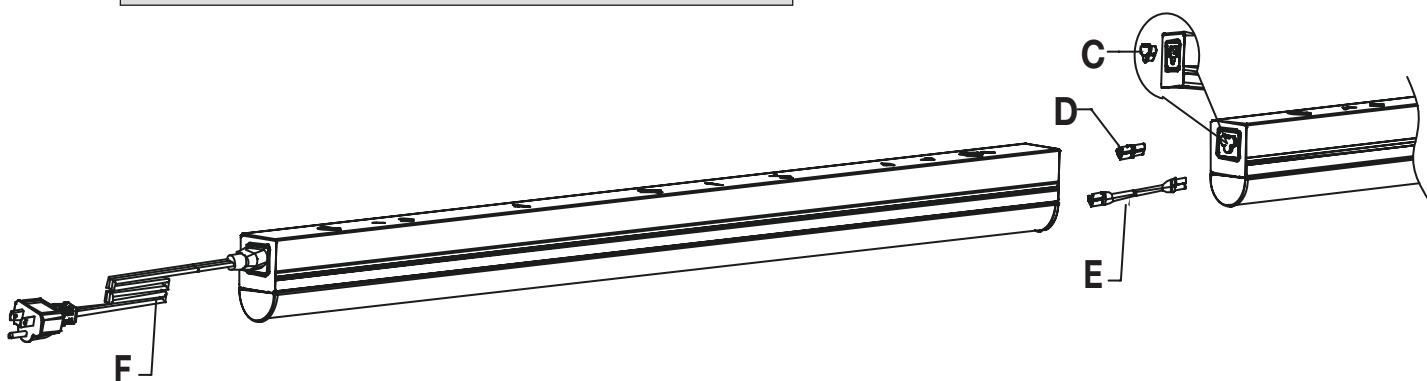
A continuación se muestra la cantidad máxima de conexión es de 60.9cm / 91.4cm / 1.21m de tira de luz vinculables debido a lo limitado de la carga de corriente del cable de alimentación, que surgirá potencial problema de seguridad si hay más piezas limited.Las pinzas de potencia solamente han sido hechas después de todas conexiones

Modelo	Longitud	Vatios	Maximos interconectados unidades
54263141	60.9cm	10 vatios	30
54262141	91.4cm	15 vatios	20
54261141	1.21m	20 vatios	15



AVISO: La potencia máxima es de 300 W para conectar la 2pies, 3 pies o 4pies banda de luz juntos. En este caso, el tamaño y la cantidad son opcionales para usted a haer la conexión.

AVISO: Para la seguridad, las instalaciones conectadas también se pueden instaladas como enchufe o cable directo, pero nunca combinado. La instalación sólo puede ser conducida por un electricista profesional,si no, se corre el riesgo de incendio.



Cuidado y limpieza



PRECAUCIÓN: Antes de limpiar la lámpara, desconecte el suministro eléctrico hacia ésta apagando el cortacircuitos o extrayendo el fusible de la caja de fusibles.

Limpiar la lámpara con un paño suave y seco.
No utilice limpiadores con productos químicos, solventes o abrasivos.

Solución de problemas

Problema	Causa posible	Solución
La lámpara no enciende.	El suministro eléctrico está cortado.	Asegúrese de que el suministro eléctrico está activado.
	El cortacircuitos está apagado.	Asegúrese de que el cortacircuitos esté en la posición de encendido.
El fusible se quema o salta el cortacircuitos cuando se enciende la lámpara.	Los cables están cruzados o el cable de suministro eléctrico no está puesto a tierra.	Verifique las conexiones de los cables. Comuníquese con un electricista calificado o llame al equipo de Servicio al Cliente al 1-877-527-0313.



¿Preguntas, problemas, piezas faltantes? Antes de devolver el producto a la tienda, llame al Centro de Atención al Cliente de Commercial Electric
8 a.m. – 7 p.m., Hora del Este de EE.UU., Lunes a viernes
9 a.m. - 6 p.m., Hora del Este de EE.UU., de viernes a sábado.

1-877-527-0313

HOMEDEPOT.COM

Conservar este manual para referencia futura.