



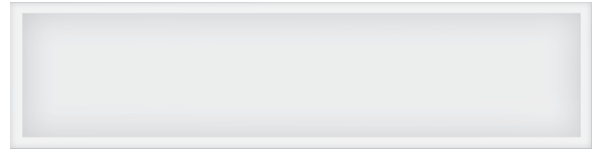
# LED EPN14-2040s-2



Class: LED Panel 1 ft. x 4 ft. Class

## Product Description

**LED EPN14-2040s-2** thoughtfully designed for superior illumination, ultimate efficiency, and easy installation, this 1x4 LED panel offers a larger driver for more space when wiring and a sturdy concave-convex the backplate for no light leakage. Double-sided welding provides a seamless, polished frame and PMMA material guarantees perfect light output without the risk of yellowing, this LED fixture panel delivers 5000 lumens with just 40 watts. Available in flicker-free Bright White (4000K). Look for EPN14-2050s-2 for Cool White (5000K).



**Estimated Energy Cost:** \$4.81 per year

\*Note: Design, features and specifications subject to change without notice. Some features may not be available on all models. For more information please visit: [www.eurilighting.com](http://www.eurilighting.com) or call 1-310-787-1100

**Available only as a twin-pack.**  
(EPN14-2040s-2 contains 2 LED Panels.)

## Specifications

Input Power	Input Voltage	Lumen Output	Beam Angle	Center Beam	CCT
40 W	AC100-277V	5000 lm	120°	N/A	4000 K
CRI	Luminous Efficacy	Power Factor	Input Current	Base/Cap	Lamp Lifespan
80	125 lm/W	0.95	0.5 A	N/A	50,000 Hrs.

### Product Features



Dimmable



Flicker Free Driver

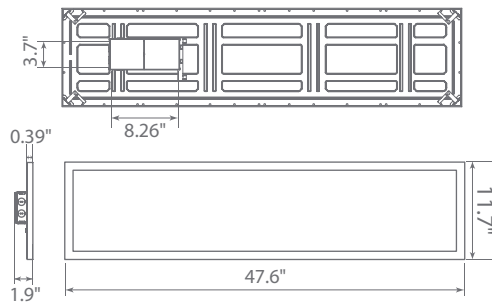


Easy and fast installation

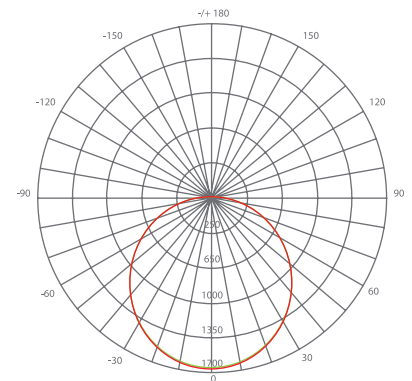


Damp Rated

### Product Dimensions



### Product Photometric Data



**Euri Lighting | A Division of ITRONIX Inc.**

20900 Normandie Avenue Bldg. B, Torrance, CA 90502 | Tel: 310.787.1100 | Fax: 310.787.1166 | [www.eurilighting.com](http://www.eurilighting.com)  
©2019 Euri Lighting. All Rights Reserved